



Oase

LIVING WATER

Water & Garden
Drainage & Irrigation

Spare part catalogue 2025 – OUTSIDE



Dear OASE trade partner,

On the following pages you will find spare parts for all products in the OASE product line for the current season 2025, as well as for products that have been discontinued in recent years. The spare parts are sorted simply and logically according to the respective product segment.

OASE always stocks spare parts for at least 5 years, in some cases up to 8 years from the last effective out date.

If for economic and/or technical reasons, spare parts delivery within the five years cited above is not possible, OASE offers a successor or replacement product.

More information concerning the extensive product range, as well as the 2025 new products, is available at www.oase.com.

For our General Terms and Conditions please refer to our website:
www.oase.com/generaltermsandconditions.

Your OASE Team

Contents

Pond construction

| | |
|---------------------------------|----|
| ProfiClear Guard | 7 |
| Water reservoirs Wall one-piece | 8 |
| Pump chamber | 9 |
| Water distributor 1 ¼" | 10 |

Pond pumps

| | |
|---|---------|
| AquaMax Eco Titanium 31000 – 50000 | 11 – 15 |
| AquaMax Eco Gravity 10000 – 20000 | 16 |
| AquaMax Eco Expert 21000 – 44000 | 17 – 18 |
| Aquarius Universal Expert 21000 – 44000 | 19 – 20 |
| AquaMax Dry 6000 – 14000 | 21 |
| AquaMax Eco Twin 20000 – 30000 | 22 – 23 |
| AquaMax Eco Premium 4000 – 21000 | 24 – 38 |
| AquaMax Eco Classic 9000 C – 18000 C | 39 – 40 |
| AquaMax Eco Classic 3500 – 17500 | 41 – 44 |
| AquaMax Eco Classic 2500 E – 3500 E | 44 – 45 |
| Aquarius Eco Expert 22000 – 44000 | 46 – 47 |
| AquaMax Expert 20000 – 40000 | 48 – 49 |
| Aquarius Eco Premium 4500 – 16500 | 50 – 51 |
| Aquarius Universal Premium 4000 – 12000 | 52 – 53 |
| Aquarius Universal Premium Eco 3000 – 4000 | 54 |
| Aquarius Universal Classic 440i / 440 | 55 |
| Aquarius Universal Classic 600 – 3000 | 56 – 58 |
| AquaMax Eco Expert 20000 – 27000 / 12 V | 59 |
| AquaMax Eco Premium 6000 – 12000 / 12 V | 60 – 61 |
| Aquarius Eco Expert 20000 12 V | 62 |
| Aquarius Universal Classic 1000 – 2000 / 12 V | 63 |
| AquaMax Eco Control | 64 |
| AquaMax Eco R 8000 / Eco 12000 | 60 – 66 |
| Spare pump FP 1500 – 3500 | 67 |
| Spare parts case | 68 |

UVC Clarifiers, filters & arators

| | |
|---|-----------|
| ProfiClear pump chamber Compact / Classic | 69 – 72 |
| ProfiClear Individual Module | 73 – 76 |
| ProfiClear Premium Compact / Compact-M pump. | 77 – 88 |
| ProfiClear Premium Compact / Compact-M grav. | 89 – 98 |
| ProfiClear Premium Compact-L pump-fed | 99 – 107 |
| ProfiClear Premium Compact-L gravity | 108 – 115 |
| ProfiClear Premium Moving Bed Modul | 116 – 118 |
| ProfiClear Premium XL discharge module pump-fed | 119 – 120 |
| ProfiClear Premium XL discharge module gravity | 121 – 122 |
| ProfiClear Premium DF-XL pump-fed | 123 – 129 |
| ProfiClear Premium DF-XL gravity | 130 – 136 |

| | |
|--|-----------|
| ProfiClear Premium XL Moving Bed | 137 – 139 |
| ProfiClear Premium DF-L pump-fed | 140 – 147 |
| ProfiClear Premium DF-L gravity | 148 – 154 |
| ProfiClear Premium drum filter pump-fed | 155 – 162 |
| ProfiClear Premium drum filter gravity | 163 – 169 |
| ProfiClear Premium Standing Bed Modul L | 170 – 171 |
| ProfiClear Premium Standing Bed Modul XL | 172 – 173 |
| ProfiClear Premium discharge module L | 174 – 175 |
| ProfiClear Classic filter foam module | 176 – 177 |
| ProfiClear Classic coarse debris extractor | 178 – 179 |
| ProfiClear Classic phosphate binder module | 180 – 181 |
| ProfiClear Classic pump chamber | 182 – 183 |
| ProfiClear Screendrive | 184 |
| ProfiClear Premium Fleece 500 – 750 | 185 – 199 |
| BioTec Premium 80000 pump-fed | 200 – 207 |
| BioTec Premium 80000 | 208 – 215 |
| BioTec ScreenMatic ² 40000 – 145000 | 216 – 233 |
| BioTec ScreenMatic 12 | 234 – 236 |
| BioTec ScreenMatic 36 | 237 – 241 |
| BioTec 30 | 242 |
| BioTec 5.1 | 243 – 244 |
| FiltoMatic CWS 3000 – 25000 | 245 – 251 |
| BioSmart Set 14000 / BioSmart UVC 16000 | 252 – 254 |
| BioSmart 18000 / Set 18000 | 255 – 257 |
| BioSmart Set 24000 – 36000 / BioSmart 36000 | 258 – 261 |
| BioSmart Set 5000 – 7000 / BioSmart UVC 8000 | 262 – 243 |
| FiltoClear 3000 – 31000 | 264 – 284 |
| BioPress 6000 – 10000 | 285 – 288 |
| BioPress Set 4000 – 12000 | 289 – 295 |
| Filtral UVC 1500 – 9000 | 296 – 305 |
| Bitron Premium 60 W – 240 W | 306 – 311 |
| Bitron Eco 120 W – 240 W | 312 – 313 |
| Bitron C 24 W – 110 W | 314 – 318 |
| Bitron Gravity 55 W | 319 |
| Vitronic 11 W – 55 W | 322 – 324 |
| AquaAir 250 | 325 |
| AquaAir Eco 250 | 327 – 328 |
| AirFlo 1,5 kW | 329 |
| AirFlo 4 kW | 330 |
| AquaOxy 240 – 7500 | 331 – 337 |
| OxyTex 400 – 1000 | 338 |
| IceFree Thermo 200 – 330 | 339 |
| IceFree 4 Seasons | 340 |



Water features & waterfalls

| | |
|--|-----------|
| Aquarius Fountain Set Eco 5500 – 9500 | 341 – 342 |
| Aquarius Solar Set 700 – 1500 | 343 – 344 |
| Aquarius Fountain Set Cl. 750 – 3500 / 2000 E – 4000 E | 345 – 347 |
| Aquarius Fountain Set 4000 – 12000 | 348 – 349 |
| JumpingJet Rainbow Star Set / Add-on Set | 350 – 351 |
| Water Jet Lightning | 352 – 354 |
| Water Quintet | 355 – 356 |
| Water Quintet Creative | 357 |
| Water Trio | 358 – 359 |
| Water Starlet | 360 |
| LunaLed Creative Set | 361 |
| PondJet Eco Premium | 362 – 364 |
| PondJet Eco | 365 – 367 |
| MIDI II / MAXI II | 369 |
| PondJet | 371 |
| Cubes 60 – 90 CS | 373 |
| Copper pedestal | 374 |
| Fountain Copper bowls 50 – 90 | 375 |
| Waterfall Kit 30 – 60 | 376 – 377 |
| Waterfall 30 – 90 / Set 30 / Set 60 Solo | 378 – 380 |
| Waterfall XL 30 – 90 | 381 |

Smart garden control systems & lighting

| | |
|--|-----------|
| Garden Controller Home / Cloud | 382 |
| InScenio FM-Master Home / Cloud / WLAN EGC | 383 – 385 |
| InScenio 230 / Profimaster / FM-Master 1 – 3 | 386 – 387 |
| LunAqua Connect | 388 – 389 |
| LunAqua Power LED XL 3000 – 4000 | 390 |
| ProfiLux Garden LED RGB | 391 |
| Floating fountain illumination set RGB | 392 |
| ProfiLux Garden LED cable | 393 |
| ProfiLux Garden LED Controller | 394 |
| LunAqua Power LED Set 1 – 3 / W | 395 – 396 |
| LED-Floating Fountain Illumination white | 397 |
| LunAqua Power LED Driver | 398 |
| LunAqua Maxi LED Set Set 1 – 3 / Solo | 399 |
| LunAqua Mini LED / warm | 400 |
| LunAqua 3 LED Set 1 – 3 | 401 |
| LunAqua Classic LED Set 1 – 3 | 402 |
| LunAqua Terra LED Set 3 – 6 | 403 |
| Fountain Ring LED Set | 404 |
| Wall Spout LED Set | 405 |
| Waterfall Illumination 30 – 90 | 406 |

| | |
|---|-----|
| LunaLed 6s / 9s | 407 |
| LunAqua 3 Set 1 | 408 |
| LunAqua 10 / 35 Set | 409 |
| LunAqua Micro Eco Set | 410 |
| LunAqua 10 | 411 |
| ProfiLux 100 E | 412 |
| OASE Control connection cable 2.5 m- 30.0 m | 413 |
| OASE Control Adaptor | 414 |

Skimmers & pond cleaning

| | |
|-----------------------------------|-----------|
| Skimmer 250 | 415 |
| ProfiSkim 100 | 416 |
| ProfiSkim Premium | 417 |
| ProfiSkim Wall 100 | 418 |
| SwimSkim 25 – 50 | 419 – 420 |
| AquaSkim 20 – 40 | 421 |
| AquaSkim Gravity | 422 |
| BioSys Skimmer + | 423 |
| PondoVac Premium | 424 – 425 |
| PondoVac 5 | 426 – 429 |
| PondoVac 4 | 430 – 432 |
| PondoVac 3 | 433 – 434 |
| PondoVac Classic | 435 – 436 |
| EasyPick | 437 |
| FlexiCut 2 in 1 | 438 |
| Profi Fish net and Profi Pond net | 439 |

Care products & fish medicine

| | |
|------------------------------------|-----|
| AquaActiv Water analysis Profi-Set | 440 |
|------------------------------------|-----|



Contents

Irrigation & domestic waterworks

| | |
|---|-----------|
| ProMax Garden Automatic 3500 – 6000/5 | 442 – 444 |
| ProMax Garden 3500 – 6000/5 | 445 – 446 |
| ProMax Garden Classic 3000 – 4500 | 447 |
| ProMax Pressure Automatic 5500/5 – 6000/8 | 448 |
| ProMax Pressure Well 3000/18 – 6500/10 | 449 |
| ProMax Pressure Well Automatic 3000/15 | 450 |
| ProMax Pressure Well Automatic 6000/8 | 451 |
| ProMax Pressure Cistern 6000/6 | 452 |
| ProMax Rain 4000 | 453 |
| WaterTank 22 l – 55 l | 454 |

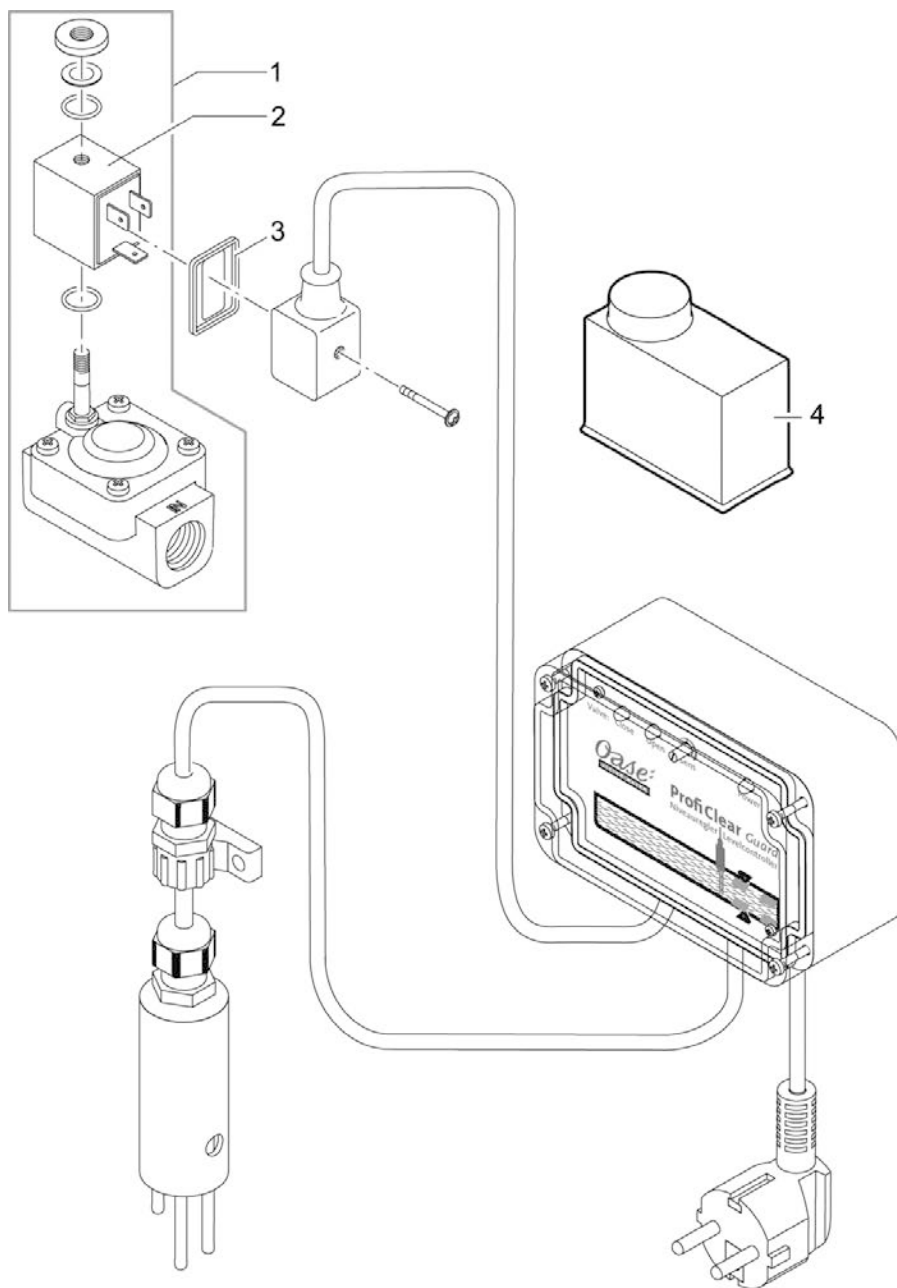
Drainage

| | |
|--------------------------------|-----------|
| ProMax ClearDrain 7000 – 14000 | 455 – 456 |
| ProMax ClearDrain 6000 | 457 |
| ProMax MudDrain 20000 | 458 |
| ProMax MudDrain 20000 – 30000 | 459 – 460 |
| ProMax MudDrain 7000 – 14000 | 461 – 462 |
| ProMax MudDrain 6000 | 463 |

Worth knowing

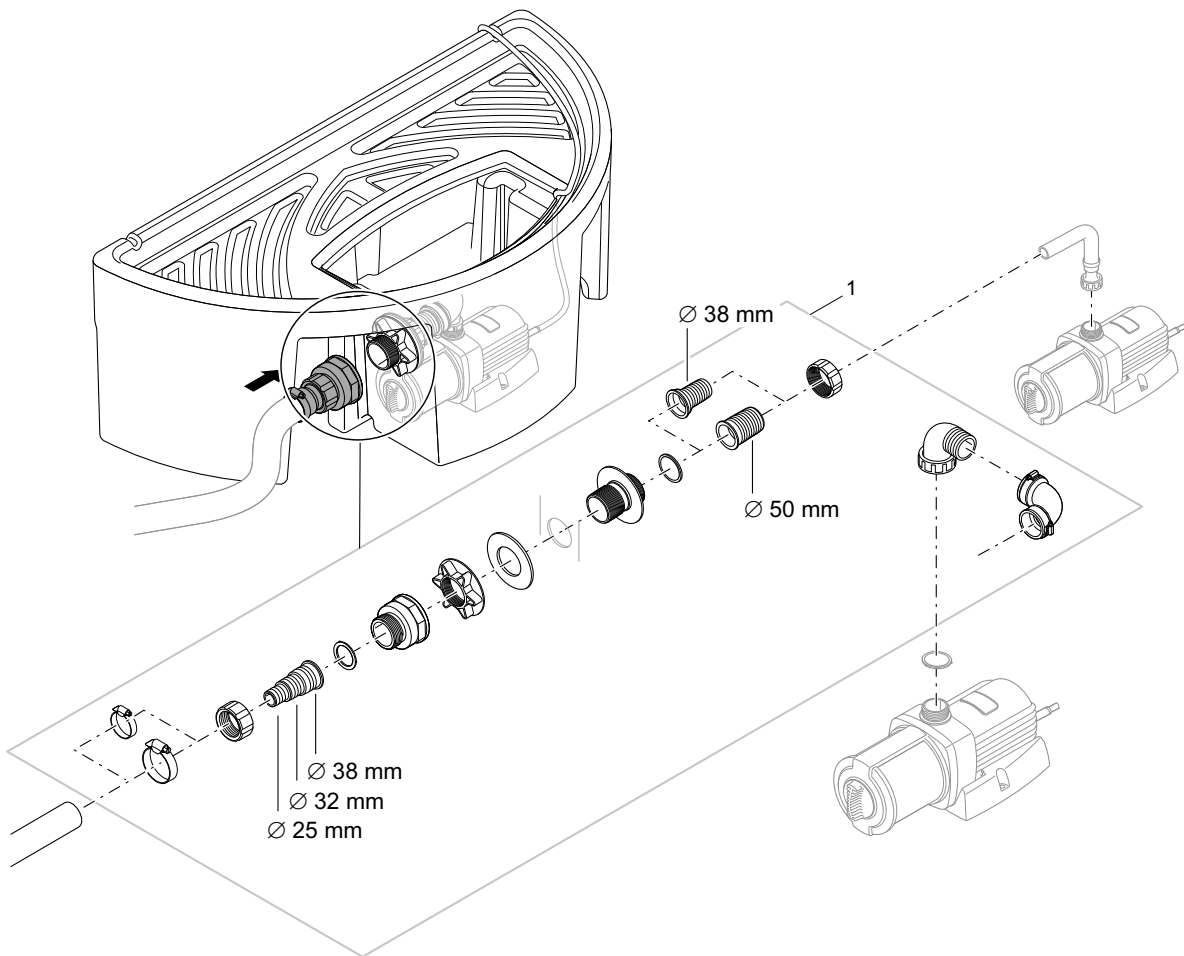
| | |
|------------------|-----------|
| Notes | 464 |
| Repair | 465 |
| OASE Guarantee | 466 |
| Product overview | 467 – 478 |

| Item no. | Product |
|----------|------------------|
| 50951 | ProfiClear Guard |



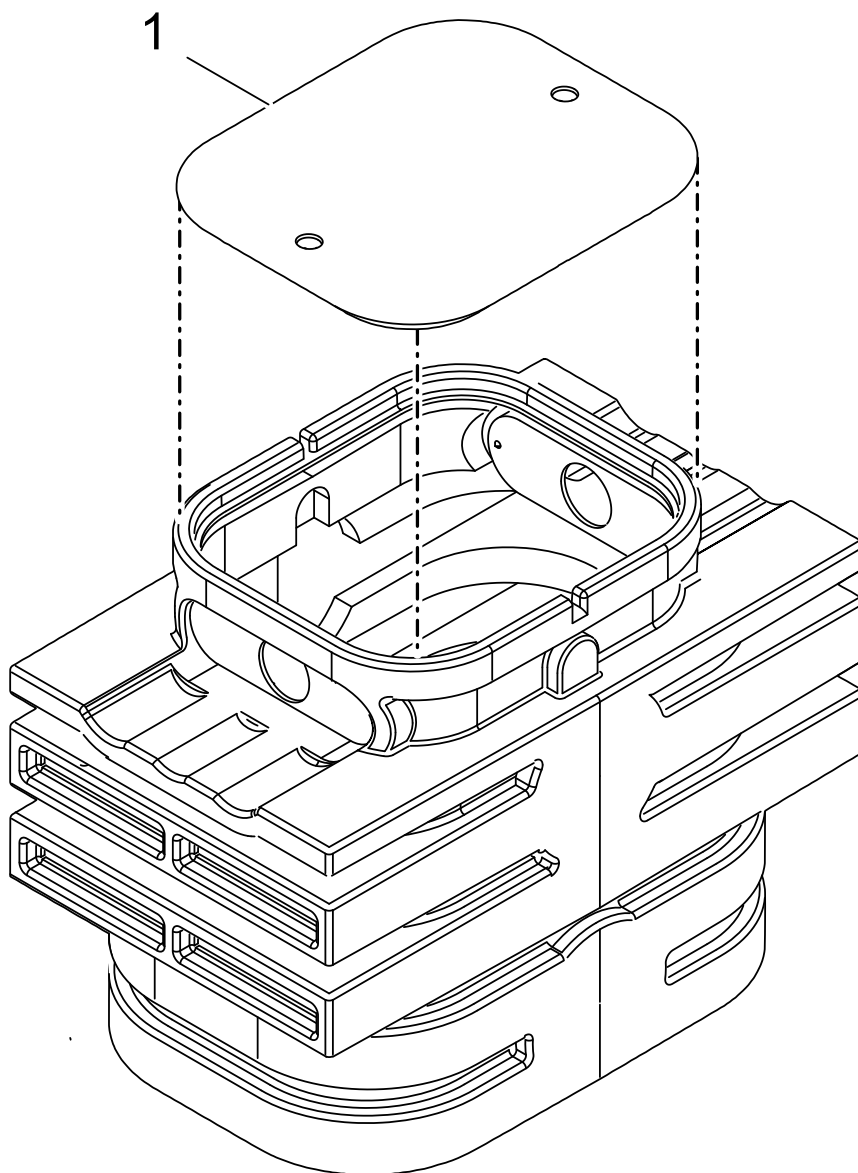
| Pos. | Item no. Product | Product | Item no. Spare part | Spare part | Number |
|------|------------------|------------------------|---------------------|---------------------------------------|--------|
| 1 | 50951 | ProfiClear Guard [INT] | 18370 | Solenoid valve 1/2" ProfiClear Guard | 1 |
| 2 | 50951 | ProfiClear Guard [INT] | 40317 | Spare part solenoid ProfiClear Guard | 1 |
| 3 | 50951 | ProfiClear Guard [INT] | 40498 | Gasket ProfiClear Guard | 1 |
| 4 | 50951 | ProfiClear Guard [INT] | 71029 | Cover solenoid valve ProfiClear Guard | 1 |

| Item no. | Product |
|----------|-------------------------|
| 72941 | Water reservoir Wall 60 |
| 72942 | Water reservoir Wall 90 |



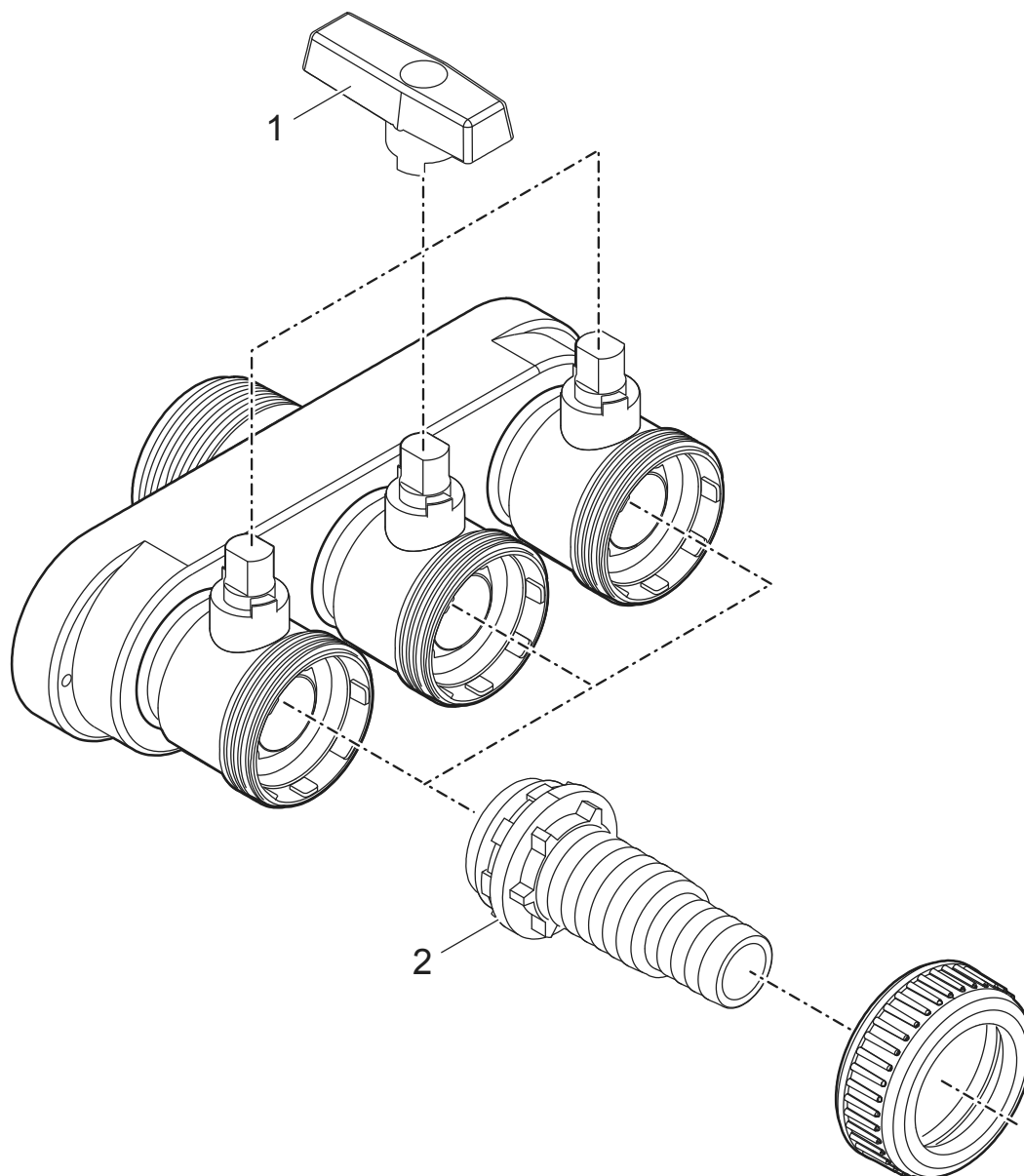
| Pos. | Item no. Product | Product | Item no. Spare part | Spare part | Number |
|------|---------------------|-------------------------------|------------------------|--|--------|
| 1 | 72941 | Water reservoir Wall 60 [INT] | 73049 | Add. pack water reservoir Wall 60 / 90 | 1 |
| | 72942 | Water reservoir Wall 90 [INT] | | | |

| Item no. | Product |
|----------|----------------------------------|
| 87096 | Pump Vault 20000 |
| 89042 | Pump Vault 60000 |
| 89043 | Extension Pump Vault 20000/60000 |



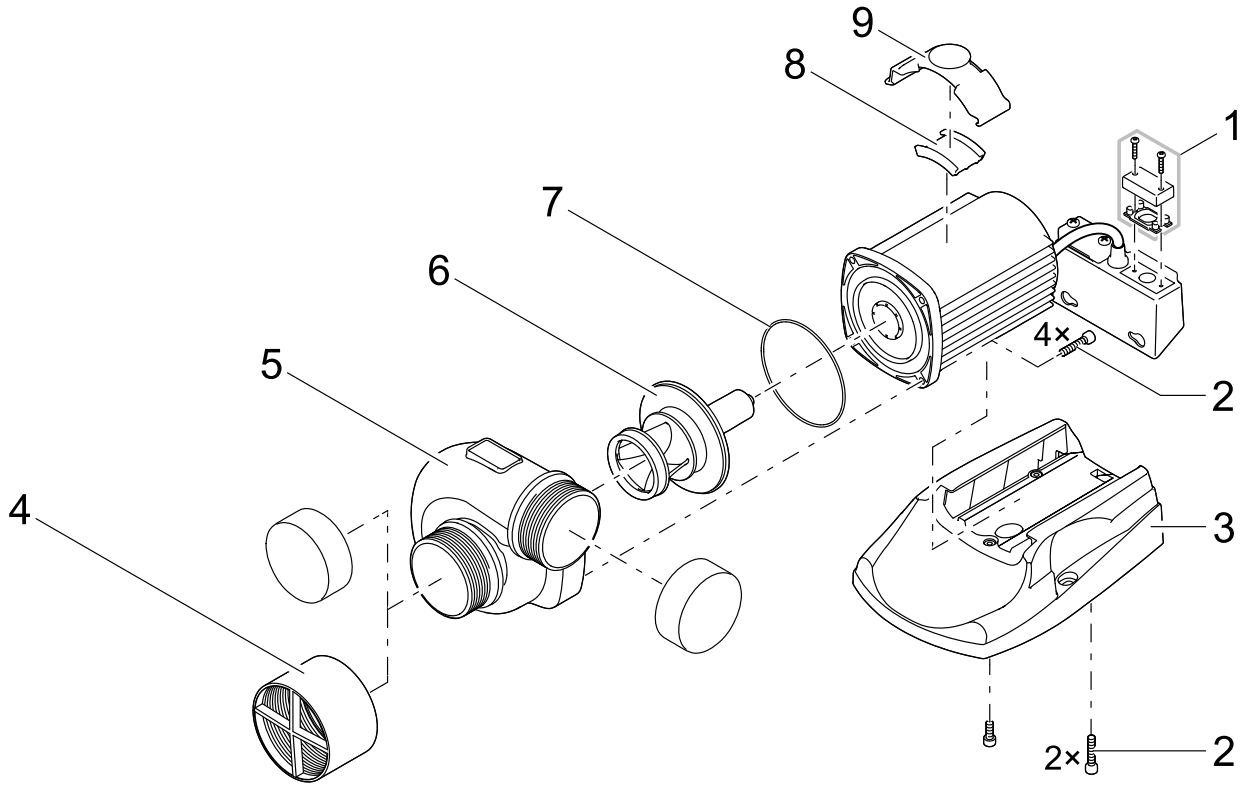
| Pos. | Item no. Product | Product | Item no. Spare part | Spare part | Number |
|------|---------------------|--|------------------------|------------------|--------|
| | 87096 | Pump Vault 20000 [INT] | | | |
| 1 | 89042 | Pump Vault 60000 [INT] | 89573 | Pump chamber lid | 1 |
| | 89043 | Extension Pump Vault 20000/60000 [INT] | | | |

| Item no. | Product |
|----------|-----------------------|
| 89045 | Water diverter 1 1/4" |



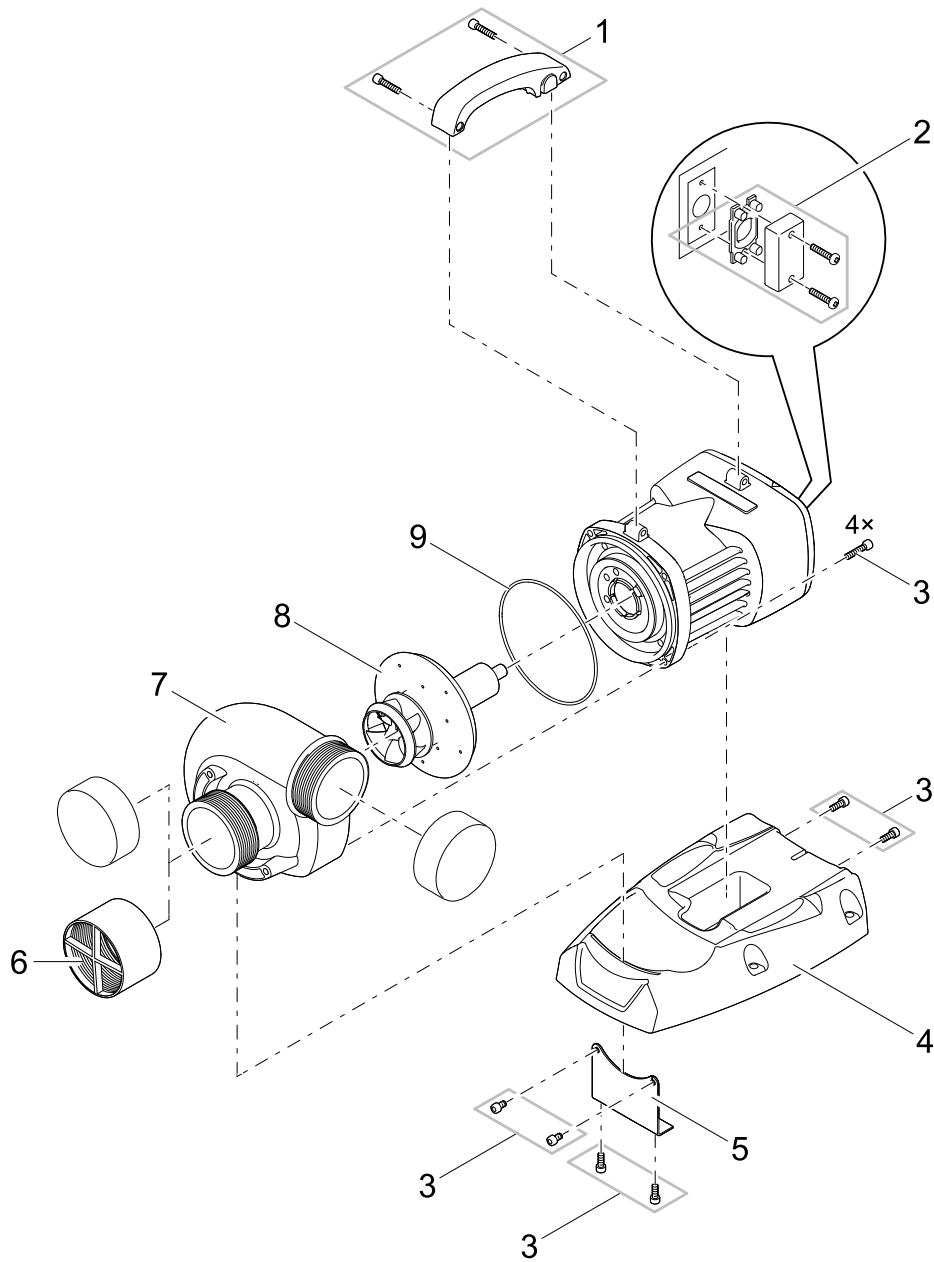
| Pos. | Item no. Product | Product | Item no. Spare part | Spare part | Number |
|------|------------------|-----------------------------|---------------------|---------------------------------|--------|
| 1 | 89045 | Water diverter 1 1/4" [INT] | 88317 | Diverter Hose Adapter 1 1/4" 1" | 1 |
| 2 | 89045 | Water diverter 1 1/4" [INT] | 90000 | Diverter 1 1/4" handle | 1 |

| Item no. | Product |
|----------|----------------------------|
| 73656 | AquaMax Eco Titanium 31000 |



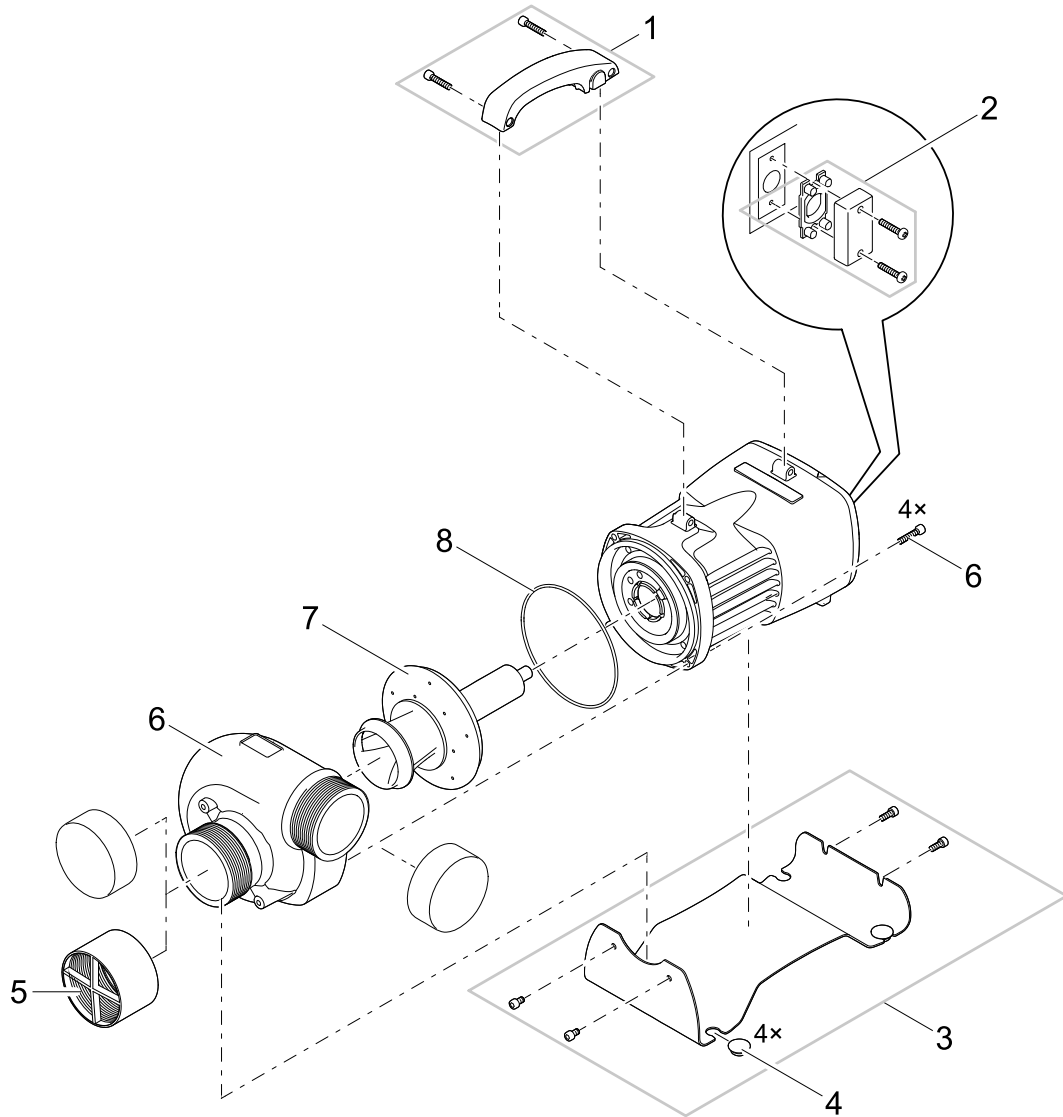
| Pos. | Item no. Product | Product | Item no. Spare part | Spare part | Number |
|------|------------------|----------------------------------|---------------------|--|--------|
| 1 | 73656 | AquaMax Eco Titanium 31000 [INT] | 40509 | ASM gland seal with gasket set | 1 |
| 2 | 73656 | AquaMax Eco Titanium 31000 [INT] | 15591 | Screw V4A DIN 912 M5 x 16 | 1 |
| 3 | 73656 | AquaMax Eco Titanium 31000 [INT] | 46962 | Base AquaMax Titanium 30000 | 1 |
| 4 | 73656 | AquaMax Eco Titanium 31000 [INT] | 48597 | Safety grid AquaMax Eco G 2 1/2 | 1 |
| 5 | 73656 | AquaMax Eco Titanium 31000 [INT] | 46952 | Pump housing Titanium 300000 machined | 1 |
| 6 | 73656 | AquaMax Eco Titanium 31000 [INT] | 48673 | Spare rotor AquaMax Eco Titanium 31000 | 1 |
| 7 | 73656 | AquaMax Eco Titanium 31000 [INT] | 24151 | Flat gasket NBR 107 x 78 x 2.5 SH45 | 1 |
| 8 | 73656 | AquaMax Eco Titanium 31000 [INT] | 17232 | Rubber part AquaMax Pro | 1 |
| 9 | 73656 | AquaMax Eco Titanium 31000 [INT] | 46950 | Holder Eco Control Titanium 30000 | 1 |

| Item no. | Product |
|----------|----------------------------|
| 73657 | AquaMax Eco Titanium 51000 |



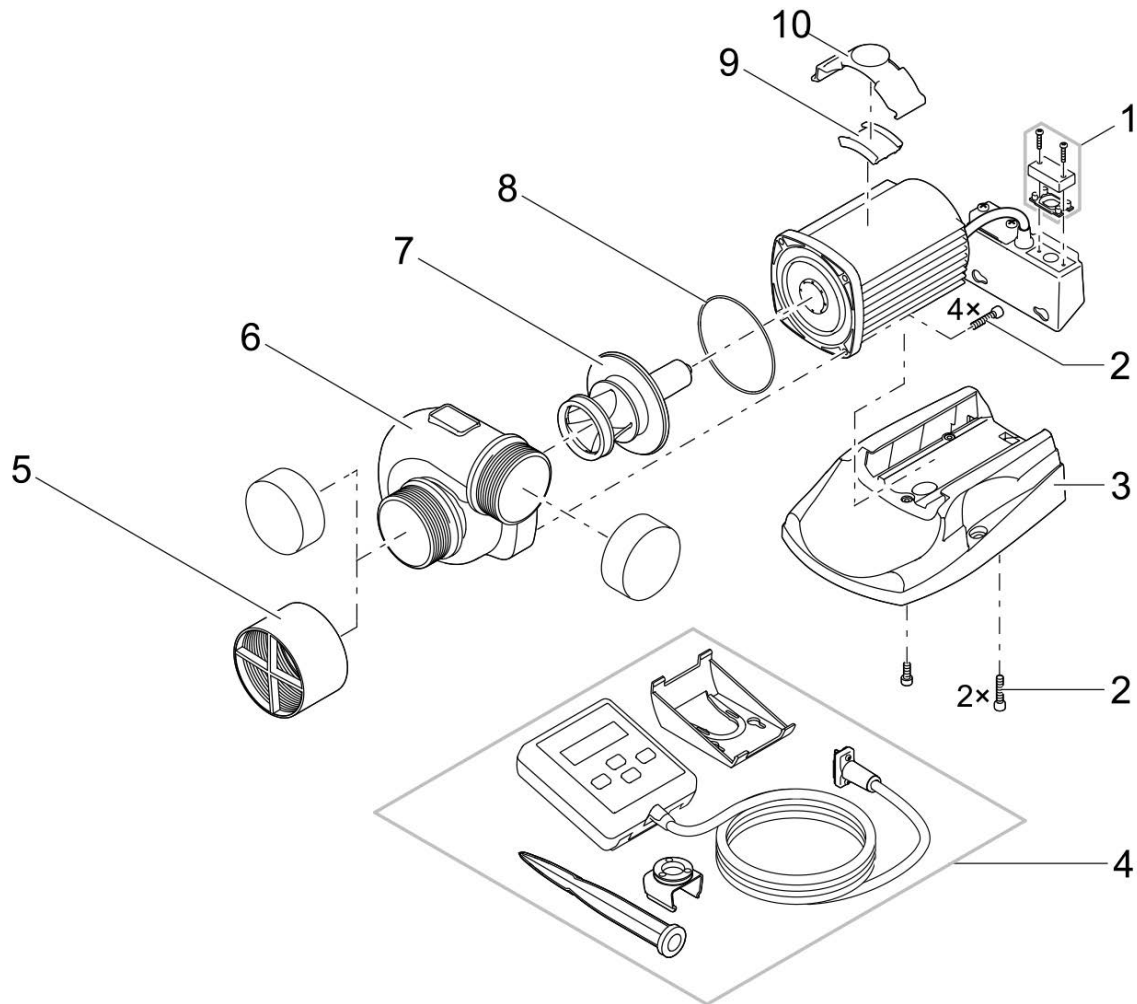
| Pos. | Item no. Product | Product | Item no. Spare part | Spare part | Number |
|------|------------------|----------------------------------|---------------------|--|--------|
| 1 | 73657 | AquaMax Eco Titanium 51000 [INT] | 43863 | Spare handle with rubber plug Titanium | 1 |
| 2 | 73657 | AquaMax Eco Titanium 51000 [INT] | 40509 | ASM gland seal with gasket set | 1 |
| 3 | 73657 | AquaMax Eco Titanium 51000 [INT] | 43864 | Spare screws set Titanium | 1 |
| 4 | 73657 | AquaMax Eco Titanium 51000 [INT] | 42061 | Base EC2 Maxi Titanium | 1 |
| 5 | 73657 | AquaMax Eco Titanium 51000 [INT] | 42094 | Holding plate EC2 Maxi Titanium | 1 |
| 6 | 73657 | AquaMax Eco Titanium 51000 [INT] | 48597 | Safety grid AquaMax Eco G 2 1/2 | 1 |
| 7 | 73657 | AquaMax Eco Titanium 51000 [INT] | 41405 | Pump housing AquaMax Titanium machined | 1 |
| 8 | 73657 | AquaMax Eco Titanium 51000 [INT] | 43865 | Spare rotor AquaMax Eco Titanium | 1 |
| 9 | 73657 | AquaMax Eco Titanium 51000 [INT] | 15574 | O-Ring NBR 125 x 3.5 SH70 | 1 |

| Item no. | Product |
|----------|----------------------------|
| 77462 | AquaMax Eco Titanium 81000 |



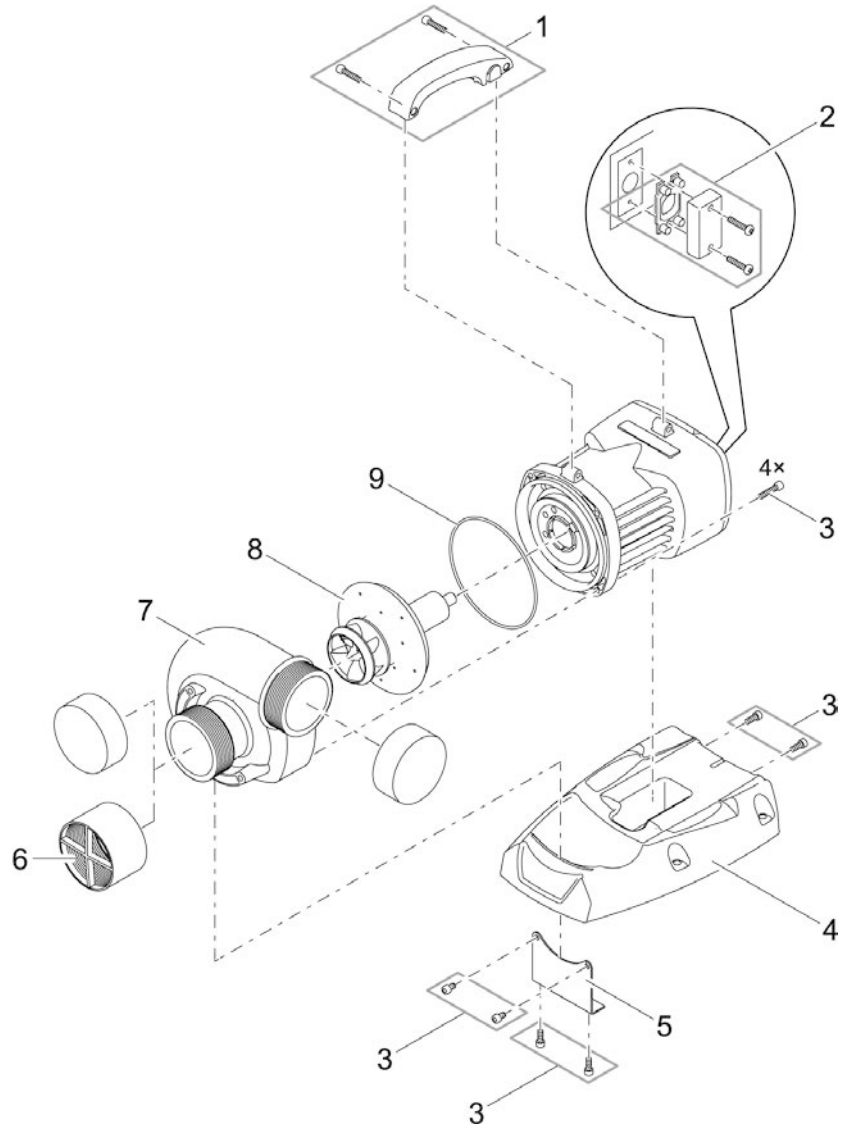
| Pos. | Item no. Product | Product | Item no. Spare part | Spare part | Number |
|------|------------------|----------------------------------|---------------------|--|--------|
| 1 | 77462 | AquaMax Eco Titanium 81000 [INT] | 43863 | Spare handle with rubber plug Titanium | 1 |
| 2 | 77462 | AquaMax Eco Titanium 81000 [INT] | 40509 | ASM gland seal with gasket set | 1 |
| 3 | 77462 | AquaMax Eco Titanium 81000 [INT] | 86163 | Spare base AquaMax Eco Titanium 81000 | 1 |
| 4 | 77462 | AquaMax Eco Titanium 81000 [INT] | 86164 | Spare rubber feet AM Eco Titanium 81000 | 1 |
| 5 | 77462 | AquaMax Eco Titanium 81000 [INT] | 73658 | Safety grid AquaMax Eco G 3 | 1 |
| 6 | 77462 | AquaMax Eco Titanium 81000 [INT] | 86153 | Spare pump housing AM Eco Titanium 81000 | 1 |
| 7 | 77462 | AquaMax Eco Titanium 81000 [INT] | 86150 | Spare rotor AquaMax Eco Titanium 81000 | 1 |
| 8 | 77462 | AquaMax Eco Titanium 81000 [INT] | 15574 | O-Ring NBR 125 x 3.5 SH70 | 1 |

| Item no. | Product |
|----------|----------------------------|
| 47028 | AquaMax Eco Titanium 30000 |



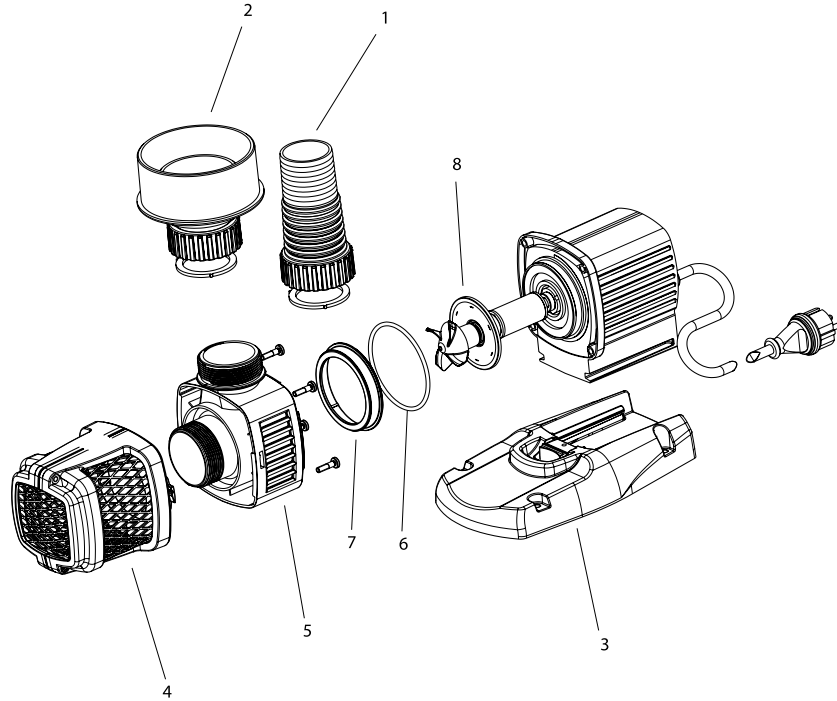
| Pos. | Item no. Product | Product | Item no. Spare part | Spare part | Number |
|------|------------------|----------------------------------|---------------------|--|--------|
| 1 | 47028 | AquaMax Eco Titanium 30000 [INT] | 40509 | ASM gland seal with gasket set | 1 |
| 2 | 47028 | AquaMax Eco Titanium 30000 [INT] | 15591 | Screw V4A DIN 912 M5 x 16 | 1 |
| 3 | 47028 | AquaMax Eco Titanium 30000 [INT] | 46962 | Base AquaMax Titanium 30000 | 1 |
| 4 | 47028 | AquaMax Eco Titanium 30000 [INT] | 47673 | Eco Control | 1 |
| 5 | 47028 | AquaMax Eco Titanium 30000 [INT] | 48597 | Safety grid AquaMax Eco G 2 1/2 | 1 |
| 6 | 47028 | AquaMax Eco Titanium 30000 [INT] | 46952 | Pump housing Titanium 30000 machined | 1 |
| 7 | 47028 | AquaMax Eco Titanium 30000 [INT] | 48673 | Spare rotor AquaMax Eco Titanium 30000 | 1 |
| 8 | 47028 | AquaMax Eco Titanium 30000 [INT] | 24151 | Flat gasket NBR 107 x 78 x 2.5 SH45 | 1 |
| 9 | 47028 | AquaMax Eco Titanium 30000 [INT] | 17232 | Rubber part AquaMax Pro | 1 |
| 10 | 47028 | AquaMax Eco Titanium 30000 [INT] | 46950 | Holder Eco Control Titanium 30000 | 1 |

| Item no. | Product |
|----------|----------------------------|
| 39918 | AquaMax Eco Titanium 50000 |



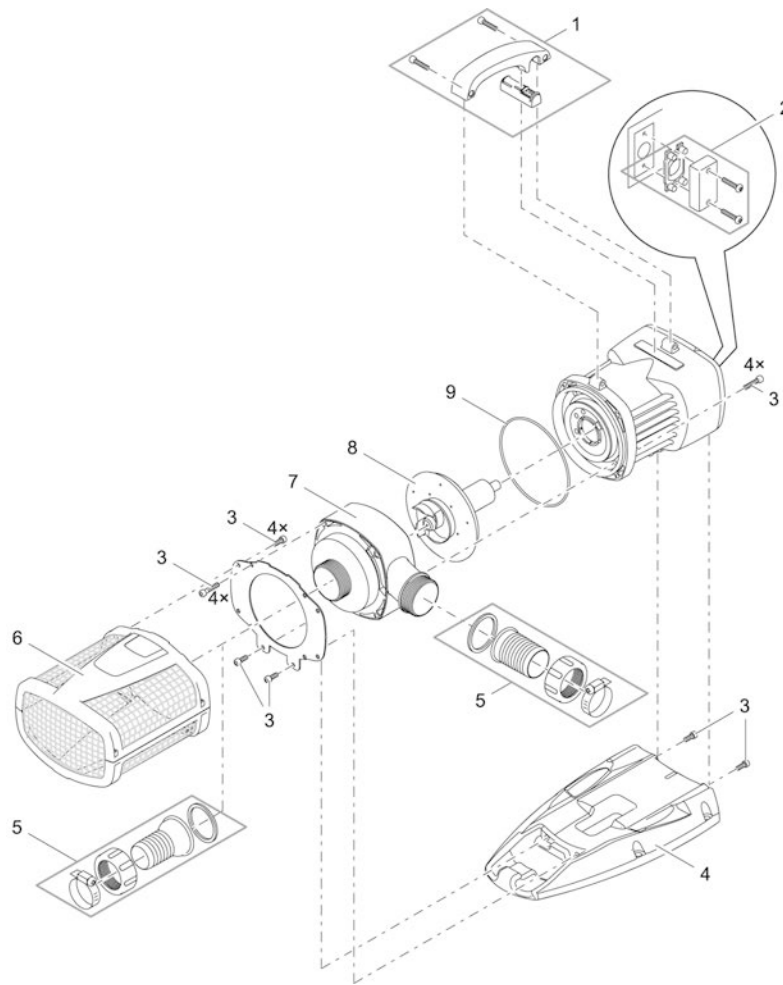
| Pos. | Item no. Product | Product | Item no. Spare part | Spare part | Number |
|------|------------------|----------------------------------|---------------------|--|--------|
| 1 | 39918 | AquaMax Eco Titanium 50000 [INT] | 43863 | Spare handle with rubber plug Titanium | 1 |
| 2 | 39918 | AquaMax Eco Titanium 50000 [INT] | 40509 | ASM gland seal with gasket set | 1 |
| 3 | 39918 | AquaMax Eco Titanium 50000 [INT] | 43864 | Spare screws set Titanium | 1 |
| 4 | 39918 | AquaMax Eco Titanium 50000 [INT] | 42061 | Base EC2 Maxi Titanium | 1 |
| 5 | 39918 | AquaMax Eco Titanium 50000 [INT] | 42094 | Holding plate EC2 Maxi Titanium | 1 |
| 6 | 39918 | AquaMax Eco Titanium 50000 [INT] | 48597 | Safety grid AquaMax Eco G 2 1/2 | 1 |
| 7 | 39918 | AquaMax Eco Titanium 50000 [INT] | 41405 | Pump housing AquaMax Titanium machined | 1 |
| 8 | 39918 | AquaMax Eco Titanium 50000 [INT] | 43865 | Spare rotor AquaMax Eco Titanium | 1 |
| 9 | 39918 | AquaMax Eco Titanium 50000 [INT] | 15574 | O-Ring NBR 125 x 3.5 SH70 | 1 |

| Item no. | Product |
|----------|---------------------------|
| 57091 | AquaMax Eco Gravity 10000 |
| 57092 | AquaMax Eco Gravity 15000 |
| 57093 | AquaMax Eco Gravity 20000 |



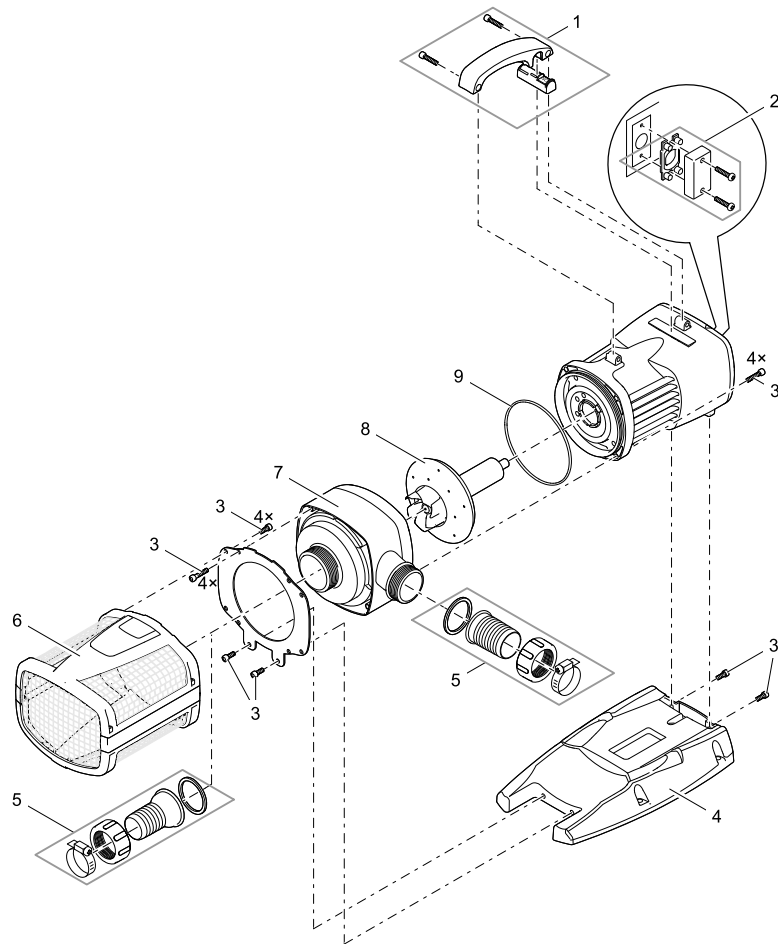
| Pos. | Item no. Product | Product | Item no. Spare part | Spare part | Number |
|------|---------------------|---------------------------------|------------------------|--|--------|
| 1 | 57091 | AquaMax Eco Gravity 10000 [INT] | | | |
| | 57092 | AquaMax Eco Gravity 15000 [INT] | 35577 | Hosetail set AquaMax Eco 2" / DA 63 | 1 |
| | 57093 | AquaMax Eco Gravity 20000 [INT] | | | |
| 2 | 57091 | AquaMax Eco Gravity 10000 [INT] | | | |
| | 57092 | AquaMax Eco Gravity 15000 [INT] | 35578 | Pipe connector AquaMax Eco DA 75/DA 110 | 1 |
| | 57093 | AquaMax Eco Gravity 20000 [INT] | | | |
| 3 | 57091 | AquaMax Eco Gravity 10000 [INT] | | | |
| | 57092 | AquaMax Eco Gravity 15000 [INT] | 28127 | Pump base AquaMax Gravity Eco | 1 |
| | 57093 | AquaMax Eco Gravity 20000 [INT] | | | |
| 4 | 57091 | AquaMax Eco Gravity 10000 [INT] | | | |
| | 57092 | AquaMax Eco Gravity 15000 [INT] | 35509 | ASM contact protection | 1 |
| | 57093 | AquaMax Eco Gravity 20000 [INT] | | | |
| 5 | 57091 | AquaMax Eco Gravity 10000 [INT] | | | |
| | 57092 | AquaMax Eco Gravity 15000 [INT] | 35580 | Spare pump housing AquaMax Gravity Eco | 1 |
| | 57093 | AquaMax Eco Gravity 20000 [INT] | | | |
| 6 | 57091 | AquaMax Eco Gravity 10000 [INT] | | | |
| | 57092 | AquaMax Eco Gravity 15000 [INT] | 28539 | O-Ring NBR 78 x 4.3 SH70 | 1 |
| | 57093 | AquaMax Eco Gravity 20000 [INT] | | | |
| 7 | 57091 | AquaMax Eco Gravity 10000 [INT] | | | |
| | 57092 | AquaMax Eco Gravity 15000 [INT] | 28125 | Holder ring Max Eco | 1 |
| | 57093 | AquaMax Eco Gravity 20000 [INT] | | | |
| 8 | 57091 | AquaMax Eco Gravity 10000 [INT] | 17958 | Spare rotor cpl AquaMax Eco Gravity10000 | 1 |
| | 57092 | AquaMax Eco Gravity 15000 [INT] | 17959 | Spare rotor cpl AquaMax Eco Gravity15000 | 1 |
| | 57093 | AquaMax Eco Gravity 20000 [INT] | 17960 | Spare rotor cpl AquaMax Eco Gravity20000 | 1 |

| Item no. | Product |
|----------|--------------------------|
| 39916 | AquaMax Eco Expert 21000 |
| 39917 | AquaMax Eco Expert 26000 |



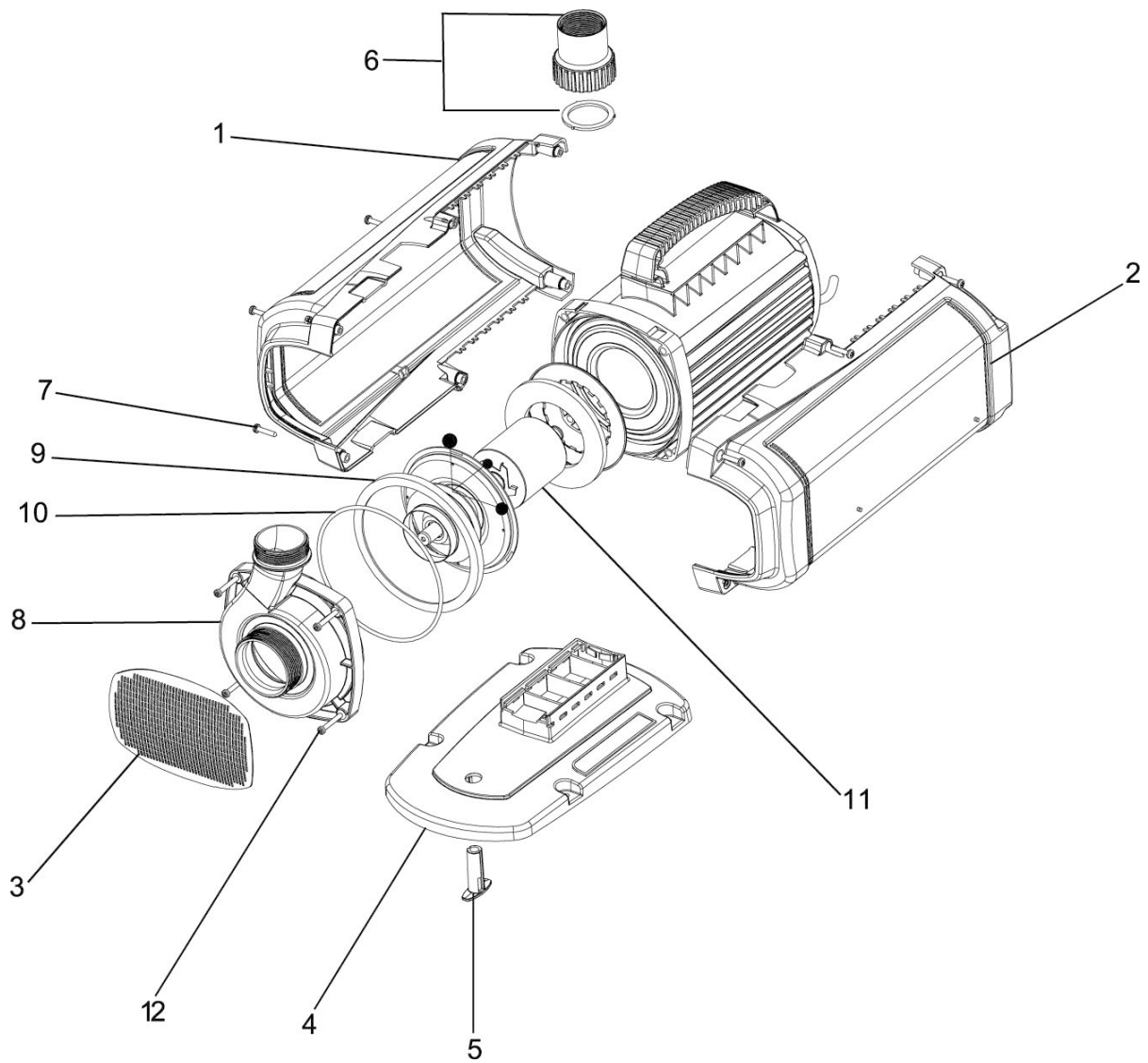
| Pos. | Item no. Product | Product | Item no. Spare part | Spare part | Number |
|------|------------------|--------------------------------|---------------------|--|--------|
| 1 | 39916 | AquaMax Eco Expert 21000 [INT] | 40510 | Spare handle with switch set | 1 |
| | 39917 | AquaMax Eco Expert 26000 [INT] | | | |
| 2 | 39916 | AquaMax Eco Expert 21000 [INT] | 40509 | ASM gland seal with gasket set | 1 |
| | 39917 | AquaMax Eco Expert 26000 [INT] | | | |
| 3 | 39916 | AquaMax Eco Expert 21000 [INT] | 40511 | Spare screws set | 1 |
| | 39917 | AquaMax Eco Expert 26000 [INT] | | | |
| 4 | 39916 | AquaMax Eco Expert 21000 [INT] | 70464 | ASM base EC2 Maxi | 1 |
| | 39917 | AquaMax Eco Expert 26000 [INT] | | | |
| 5 | 39916 | AquaMax Eco Expert 21000 [INT] | 35359 | Connection kit Aquamax Expert | 1 |
| | 39917 | AquaMax Eco Expert 26000 [INT] | | | |
| 6 | 39916 | AquaMax Eco Expert 21000 [INT] | 37838 | ASM filter housing AquaMax Expert | 1 |
| | 39917 | AquaMax Eco Expert 26000 [INT] | | | |
| 7 | 39916 | AquaMax Eco Expert 21000 [INT] | 40623 | ASM pump housing AquaMax Eco Exp. 21000 | 1 |
| | 39917 | AquaMax Eco Expert 26000 [INT] | 37837 | ASM pump housing AquaMax Eco Exp. 26000 | 1 |
| 8 | 39916 | AquaMax Eco Expert 21000 [INT] | 40508 | Spare rotor AquaMax Eco Exp. 21000-26000 | 1 |
| | 39917 | AquaMax Eco Expert 26000 [INT] | | | |
| 9 | 39916 | AquaMax Eco Expert 21000 [INT] | 32972 | O-Ring NBR 127 x 4.0 SH70 | 1 |
| | 39917 | AquaMax Eco Expert 26000 [INT] | | | |

| Item no. | Product |
|----------|--------------------------|
| 54614 | AquaMax Eco Expert 36000 |
| 54615 | AquaMax Eco Expert 44000 |



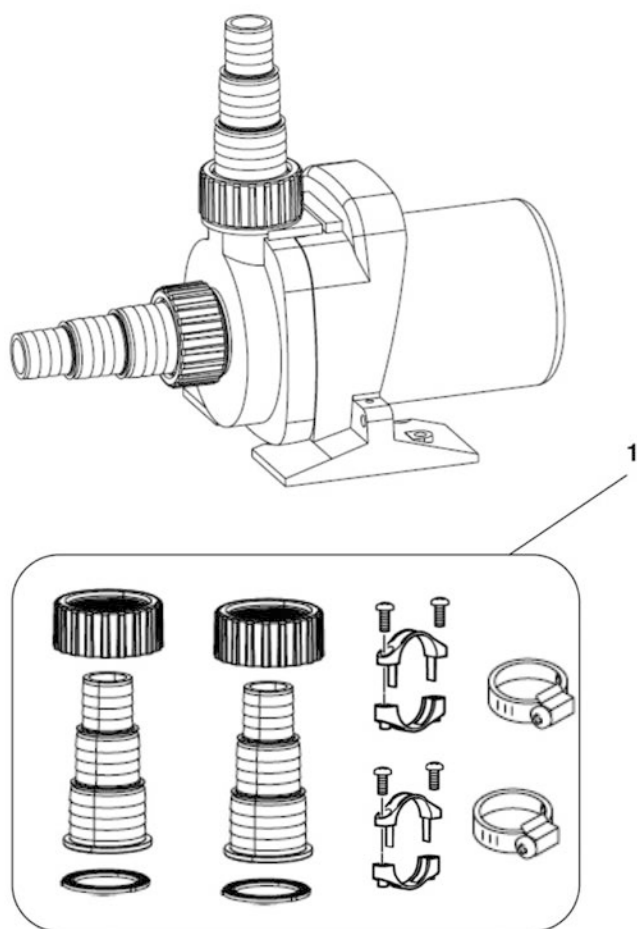
| Pos. | Item no. Product | Product | Item no. Spare part | Spare part | Number |
|------|------------------|--------------------------------|---------------------|---|--------|
| 1 | 54614 | AquaMax Eco Expert 36000 [INT] | 40510 | Spare handle with switch set | 1 |
| | 54615 | AquaMax Eco Expert 44000 [INT] | | | |
| 2 | 54614 | AquaMax Eco Expert 36000 [INT] | 40509 | ASM gland seal with gasket set | 1 |
| | 54615 | AquaMax Eco Expert 44000 [INT] | | | |
| 3 | 54614 | AquaMax Eco Expert 36000 [INT] | 40511 | Spare screws set | 1 |
| | 54615 | AquaMax Eco Expert 44000 [INT] | | | |
| 4 | 54614 | AquaMax Eco Expert 36000 [INT] | 49998 | Base EC2 Maxi XL | 1 |
| | 54615 | AquaMax Eco Expert 44000 [INT] | | | |
| 5 | 54614 | AquaMax Eco Expert 36000 [INT] | 35359 | Connection kit Aquamax Expert | 1 |
| | 54615 | AquaMax Eco Expert 44000 [INT] | | | |
| 6 | 54614 | AquaMax Eco Expert 36000 [INT] | 49997 | ASM filter housing Aquamax Expert 44000 | 1 |
| | 54615 | AquaMax Eco Expert 44000 [INT] | | | |
| 7 | 54614 | AquaMax Eco Expert 36000 [INT] | 49996 | ASM pump housing Aquarius/AquaMax 36000 | 1 |
| | 54615 | AquaMax Eco Expert 44000 [INT] | | | |
| 8 | 54614 | AquaMax Eco Expert 36000 [INT] | 36087 | Spare rotor AquaMax Eco Expert 36/44000 | 1 |
| | 54615 | AquaMax Eco Expert 44000 [INT] | | | |
| 9 | 54614 | AquaMax Eco Expert 36000 [INT] | 32972 | O-Ring NBR 127 x 4.0 SH70 | 1 |
| | 54615 | AquaMax Eco Expert 44000 [INT] | | | |

| Item no. | Product |
|----------|---------------------------------|
| 56870 | Aquarius Universal Expert 21000 |
| 56871 | Aquarius Universal Expert 27000 |
| 56872 | Aquarius Universal Expert 40000 |



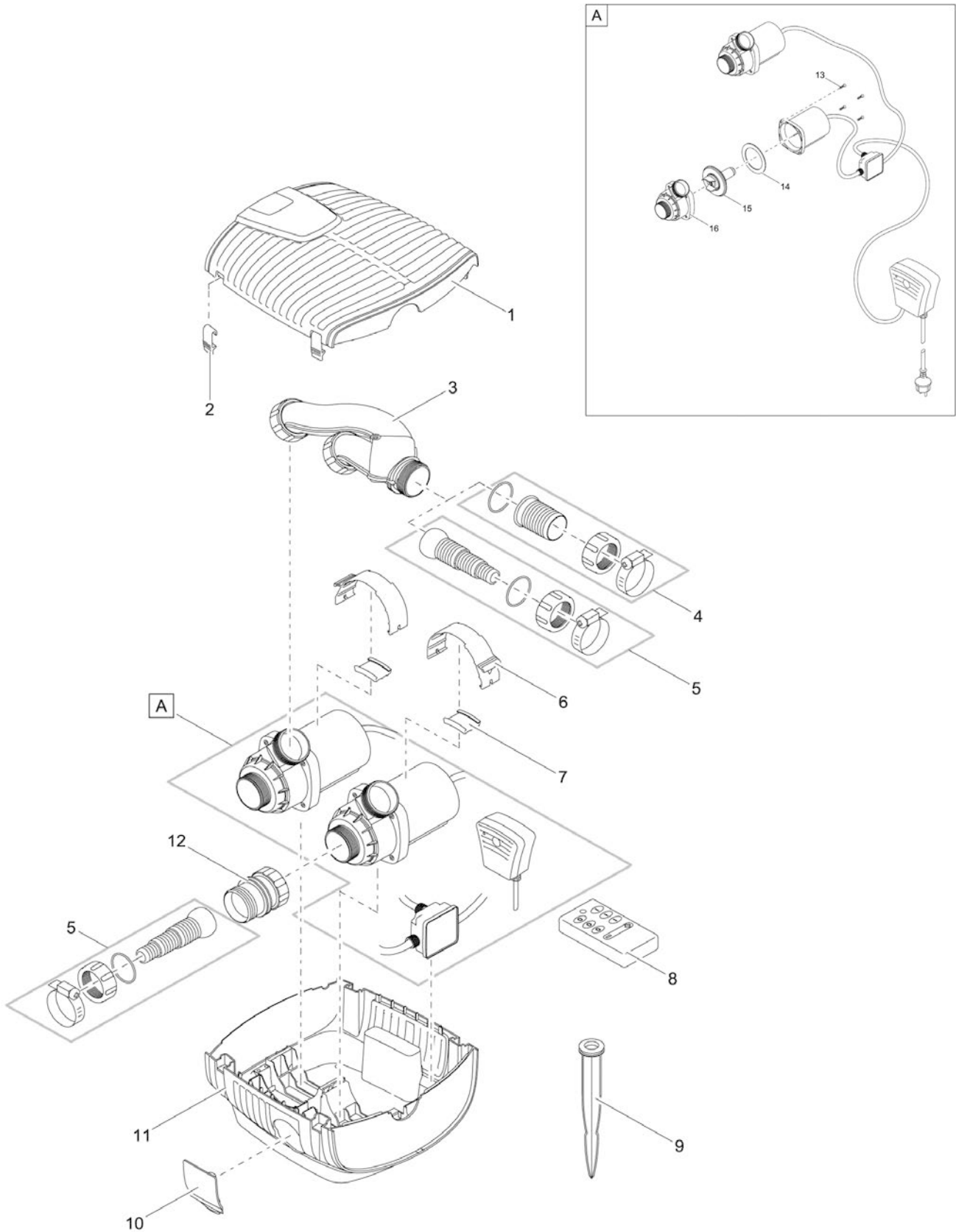
| Pos. | Item no. Product | Product | Item no. Spare part | Spare part | Number |
|------|---------------------|---------------------------------------|------------------------|--|--------|
| 1 | 56870 | Aquarius Universal Expert 21000 [INT] | 26697 | Filter flank 107 WSP right | 1 |
| | 56871 | Aquarius Universal Expert 27000 [INT] | | | |
| | 56872 | Aquarius Universal Expert 40000 [INT] | | | |
| 2 | 56870 | Aquarius Universal Expert 21000 [INT] | 26696 | Filter flank 107 WSP left | 1 |
| | 56871 | Aquarius Universal Expert 27000 [INT] | | | |
| | 56872 | Aquarius Universal Expert 40000 [INT] | | | |
| 3 | 56870 | Aquarius Universal Expert 21000 [INT] | 26733 | Front plate 107 WSP | 1 |
| | 56871 | Aquarius Universal Expert 27000 [INT] | | | |
| | 56872 | Aquarius Universal Expert 40000 [INT] | | | |
| 4 | 56870 | Aquarius Universal Expert 21000 [INT] | 26703 | Pump base Profiline | 1 |
| | 56871 | Aquarius Universal Expert 27000 [INT] | | | |
| | 56872 | Aquarius Universal Expert 40000 [INT] | | | |
| 5 | 56872 | Aquarius Universal Expert 40000 [INT] | 27179 | Stabiliser Profiline | 1 |
| 6 | 56870 | Aquarius Universal Expert 21000 [INT] | 35360 | Connection kit Aquarius Universal | 1 |
| | 56871 | Aquarius Universal Expert 27000 [INT] | | | |
| | 56872 | Aquarius Universal Expert 40000 [INT] | | | |
| 7 | 56870 | Aquarius Universal Expert 21000 [INT] | 6055 | Oval head screw V2A DIN 7985 M5 x 20 H | 6 |
| | 56871 | Aquarius Universal Expert 27000 [INT] | | | |
| | 56872 | Aquarius Universal Expert 40000 [INT] | | | |
| 8 | 56870 | Aquarius Universal Expert 21000 [INT] | 26688 | Pump housing 107 | 1 |
| | 56871 | Aquarius Universal Expert 27000 [INT] | | | |
| | 56872 | Aquarius Universal Expert 40000 [INT] | | | |
| 9 | 56870 | Aquarius Universal Expert 21000 [INT] | 26692 | Centre ring 107 | 1 |
| | 56871 | Aquarius Universal Expert 27000 [INT] | | | |
| | 56872 | Aquarius Universal Expert 40000 [INT] | | | |
| 10 | 56870 | Aquarius Universal Expert 21000 [INT] | 27289 | O-Ring NBR 130 x 4,3 SH70 | 1 |
| | 56871 | Aquarius Universal Expert 27000 [INT] | | | |
| | 56872 | Aquarius Universal Expert 40000 [INT] | | | |
| 11 | 56870 | Aquarius Universal Expert 21000 [INT] | 35362 | Impeller cpl. Aquarius Universal 21000 | 1 |
| | 56871 | Aquarius Universal Expert 27000 [INT] | | | |
| | 56872 | Aquarius Universal Expert 40000 [INT] | | | |
| 12 | 56870 | Aquarius Universal Expert 21000 [INT] | 6061 | Oval head screw Phillips DIN 7985 6 x 25 | 4 |
| | 56871 | Aquarius Universal Expert 27000 [INT] | | | |
| | 56872 | Aquarius Universal Expert 40000 [INT] | | | |

| Item no. | Product |
|----------|----------------------|
| 50066 | AquaMax Dry 8000 |
| 50068 | AquaMax Dry 14000 |
| 50393 | AquaMax Dry 6000 |
| 50069 | GB AquaMax Dry 8000 |
| 50448 | GB AquaMax Dry 16000 |



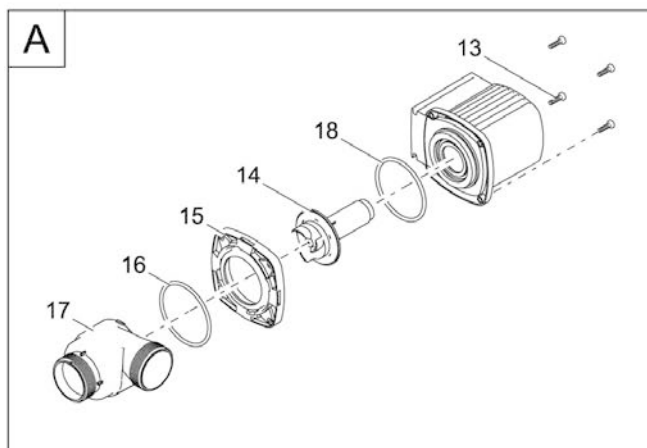
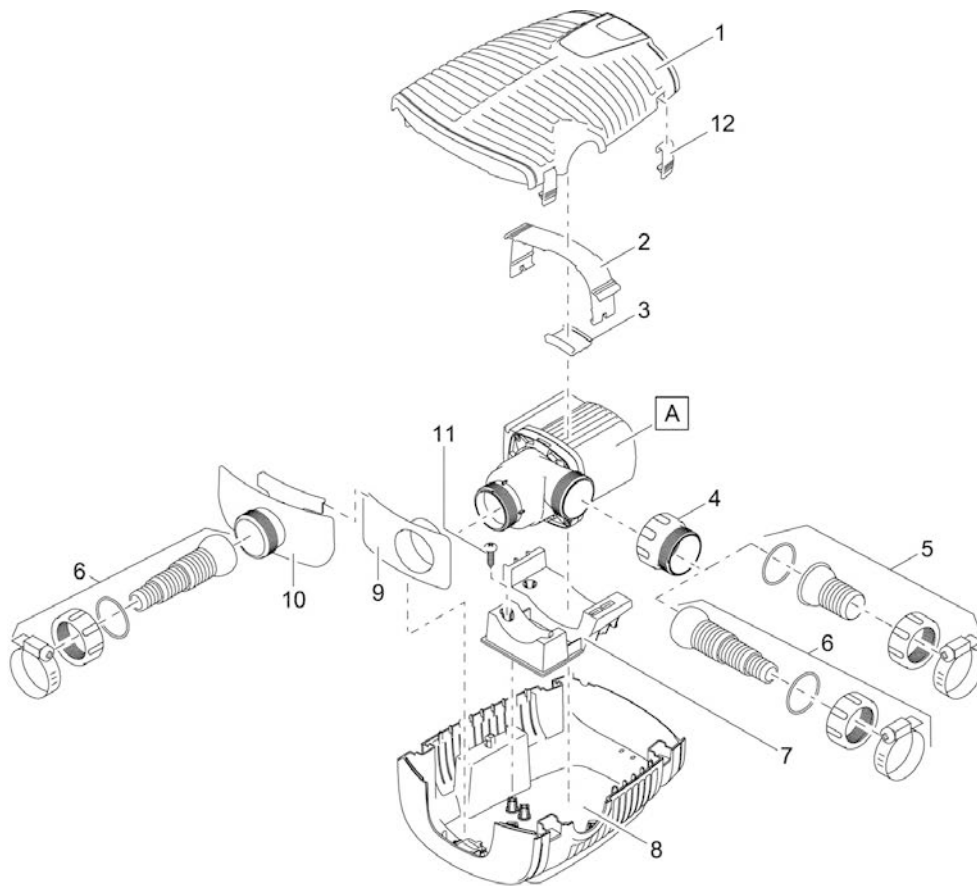
| Pos. | Item no. Product | Product | Item no. Spare part | Spare part | Number |
|------|---------------------|-------------------------|------------------------|-----------------------------|--------|
| | 50066 | AquaMax Dry 8000 [INT] | | | |
| | 50068 | AquaMax Dry 14000 [INT] | | | |
| 1 | 50069 | AquaMax Dry 8000 [GB] | 10510 | Additional pack AquaMax Dry | 1 |
| | 50393 | AquaMax Dry 6000 [INT] | | | |
| | 50448 | AquaMax Dry 16000 [GB] | | | |

| Item no. | Product |
|----------|------------------------|
| 50708 | AquaMax Eco Twin 20000 |
| 50710 | AquaMax Eco Twin 30000 |



| Pos. | Item no. Product | Product | Item no. Spare part | Spare part | Number |
|------|---------------------|------------------------------|------------------------|--|--------|
| 1 | 50708 | AquaMax Eco Twin 20000 [INT] | 18277 | Spare filter housing top AquaMax Twin | 1 |
| | 50710 | AquaMax Eco Twin 30000 [INT] | | | |
| 2 | 50708 | AquaMax Eco Twin 20000 [INT] | 30983 | Clip Bitron Eco / AquaMax | 1 |
| | 50710 | AquaMax Eco Twin 30000 [INT] | | | |
| 3 | 50708 | AquaMax Eco Twin 20000 [INT] | 17319 | ASM AquaMax Twin Y-manifold | 1 |
| | 50710 | AquaMax Eco Twin 30000 [INT] | | | |
| 4 | 50708 | AquaMax Eco Twin 20000 [INT] | 17069 | Add. pack AquaMax Eco 2" | 1 |
| | 50710 | AquaMax Eco Twin 30000 [INT] | | | |
| 5 | 50708 | AquaMax Eco Twin 20000 [INT] | 17272 | Add. pack AquaMax Eco 1" - 1 1/2" | 1 |
| | 50710 | AquaMax Eco Twin 30000 [INT] | | | |
| 6 | 50708 | AquaMax Eco Twin 20000 [INT] | 16982 | Clamp EC2 | 2 |
| | 50710 | AquaMax Eco Twin 30000 [INT] | | | |
| 7 | 50708 | AquaMax Eco Twin 20000 [INT] | 17232 | Rubber part AquaMax Pro | 2 |
| | 50710 | AquaMax Eco Twin 30000 [INT] | | | |
| 8 | 50708 | AquaMax Eco Twin 20000 [INT] | 24145 | Remote control ProMax | 1 |
| | 50710 | AquaMax Eco Twin 30000 [INT] | | | |
| 9 | 50708 | AquaMax Eco Twin 20000 [INT] | 20284 | Spike | 1 |
| | 50710 | AquaMax Eco Twin 30000 [INT] | | | |
| 10 | 50708 | AquaMax Eco Twin 20000 [INT] | 17315 | Cover cap AquaMax Twin | 1 |
| | 50710 | AquaMax Eco Twin 30000 [INT] | | | |
| 11 | 50708 | AquaMax Eco Twin 20000 [INT] | 17294 | Filter housing base AquaMax Twin | 1 |
| | 50710 | AquaMax Eco Twin 30000 [INT] | | | |
| 12 | 50708 | AquaMax Eco Twin 20000 [INT] | 17526 | Adapter 2" AquaMax Twin | 1 |
| | 50710 | AquaMax Eco Twin 30000 [INT] | | | |
| 13 | 50708 | AquaMax Eco Twin 20000 [INT] | 6055 | Oval head screw V2A DIN 7985 M5 x 20 H | 1 |
| | 50710 | AquaMax Eco Twin 30000 [INT] | | | |
| 14 | 50708 | AquaMax Eco Twin 20000 [INT] | 24151 | Flat gasket NBR 107 x 78 x 2.5 SH45 | 1 |
| | 50710 | AquaMax Eco Twin 30000 [INT] | | | |
| 15 | 50708 | AquaMax Eco Twin 20000 [INT] | 17965 | Spare rotor AquaMax Eco Pre. 12000-16000 | 1 |
| | 50710 | AquaMax Eco Twin 30000 [INT] | | | |
| 16 | 50708 | AquaMax Eco Twin 20000 [INT] | 17969 | Spare pump housing AquaMax Eco Pr. 12000 | 1 |
| | 50710 | AquaMax Eco Twin 30000 [INT] | | | |

| Item no. | Product |
|----------|------------------------------|
| 50734 | AquaMax Eco Premium 4000 |
| 50736 | AquaMax Eco Premium 6000 |
| 50740 | AquaMax Eco Premium 8000 |
| 51078 | AquaMax Eco Premium 10000 |
| 50735 | GB AquaMax Eco Premium 4000 |
| 50739 | GB AquaMax Eco Premium 6000 |
| 50741 | GB AquaMax Eco Premium 8000 |
| 51085 | GB AquaMax Eco Premium 10000 |

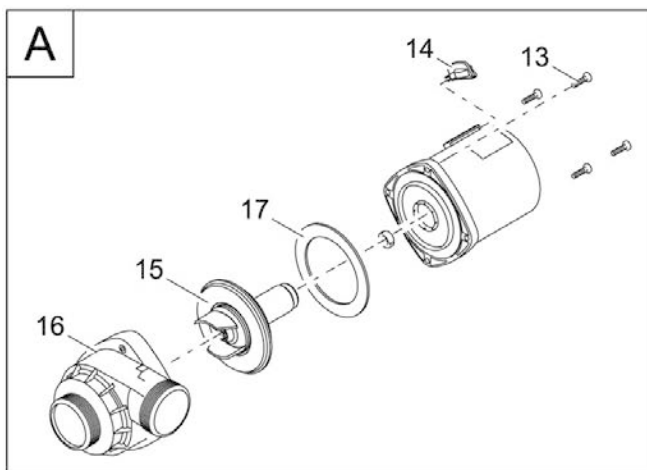
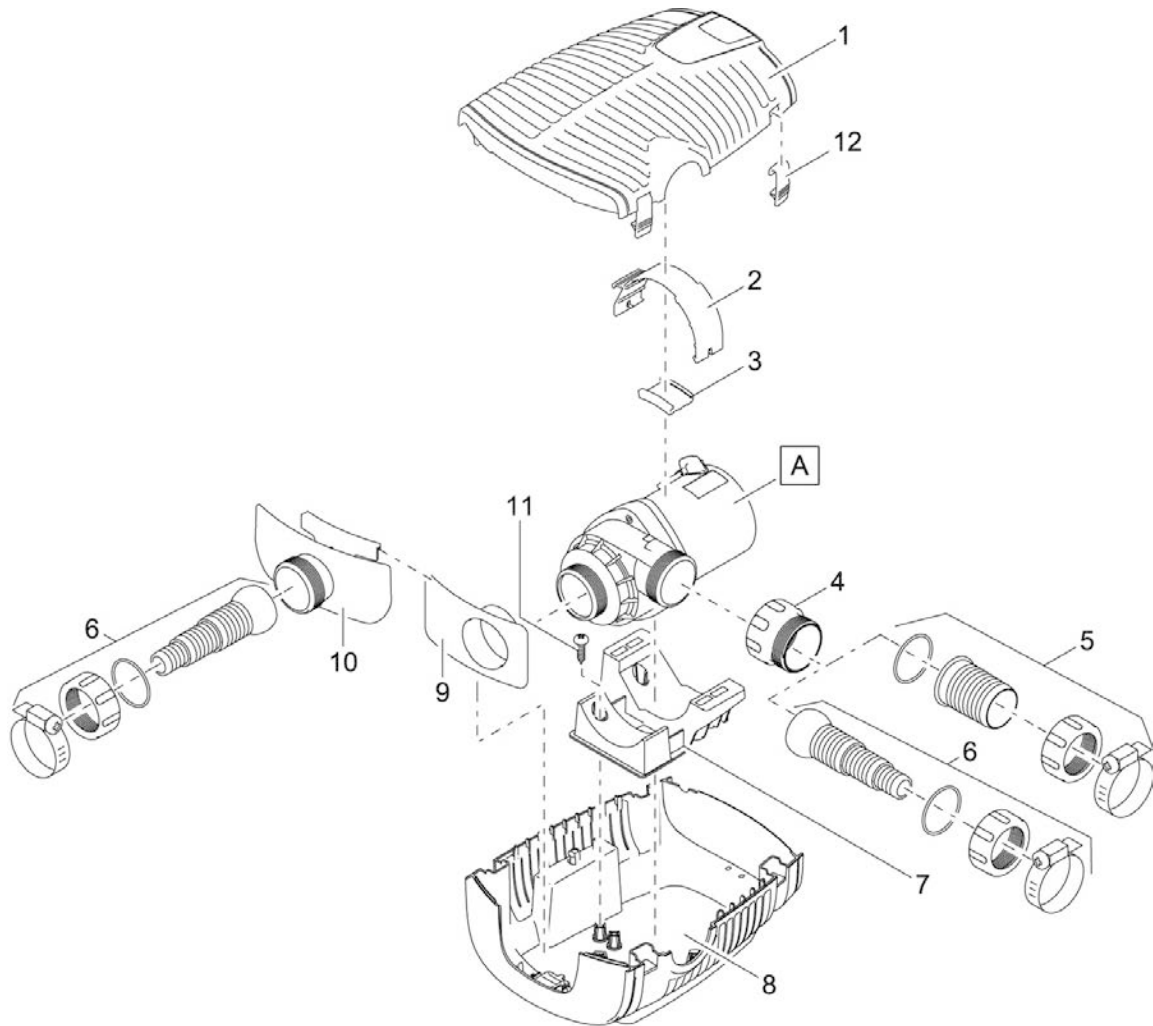


| Pos. | Item no. Product | Product | Item no. Spare part | Spare part | Number |
|-------|---------------------------------|---------------------------------|------------------------------|--|--------|
| 1 | 50734 | AquaMax Eco Premium 4000 [INT] | 17963 | Spare filter housing top AquaMax Eco Pr. | 1 |
| | 50735 | AquaMax Eco Premium 4000 [GB] | | | |
| | 50739 | AquaMax Eco Premium 6000 [GB] | | | |
| | 50740 | AquaMax Eco Premium 8000 [INT] | | | |
| | 50741 | AquaMax Eco Premium 8000 [GB] | | | |
| | 51078 | AquaMax Eco Premium 10000 [INT] | | | |
| | 51085 | AquaMax Eco Premium 10000 [GB] | | | |
| 2 | 50734 | AquaMax Eco Premium 4000 [INT] | 16978 | Clamp EC1 | 1 |
| | 50736 | AquaMax Eco Premium 6000 [INT] | | | |
| | 50740 | AquaMax Eco Premium 8000 [INT] | | | |
| | 51078 | AquaMax Eco Premium 10000 [INT] | | | |
| | 51085 | AquaMax Eco Premium 10000 [GB] | | | |
| 3 | 50734 | AquaMax Eco Premium 4000 [INT] | 17232 | Rubber part AquaMax Pro | 1 |
| | 50735 | AquaMax Eco Premium 4000 [GB] | | | |
| | 50736 | AquaMax Eco Premium 6000 [INT] | | | |
| | 50739 | AquaMax Eco Premium 6000 [GB] | | | |
| | 50740 | AquaMax Eco Premium 8000 [INT] | | | |
| | 50741 | AquaMax Eco Premium 8000 [GB] | | | |
| | 51078 | AquaMax Eco Premium 10000 [INT] | | | |
| 4 | 50734 | AquaMax Eco Premium 4000 [INT] | 16859 | Adapter 2" | 1 |
| | 50735 | AquaMax Eco Premium 4000 [GB] | | | |
| | 50736 | AquaMax Eco Premium 6000 [INT] | | | |
| | 50739 | AquaMax Eco Premium 6000 [GB] | | | |
| | 50740 | AquaMax Eco Premium 8000 [INT] | | | |
| | 50741 | AquaMax Eco Premium 8000 [GB] | | | |
| | 51078 | AquaMax Eco Premium 10000 [INT] | | | |
| 5 | 50734 | AquaMax Eco Premium 4000 [INT] | 17064 | Add. pack AquaMax Eco 1 1/2" | 1 |
| | 50735 | AquaMax Eco Premium 4000 [GB] | | | |
| | 50736 | AquaMax Eco Premium 6000 [INT] | | | |
| | 50739 | AquaMax Eco Premium 6000 [GB] | 17069 | Add. pack AquaMax Eco 2" | 1 |
| | 50740 | AquaMax Eco Premium 8000 [INT] | | | |
| 50741 | AquaMax Eco Premium 8000 [GB] | 17064 | Add. pack AquaMax Eco 1 1/2" | 1 | |
| 51078 | AquaMax Eco Premium 10000 [INT] | | | | |
| 51085 | AquaMax Eco Premium 10000 [GB] | | | | |
| 6 | 50734 | AquaMax Eco Premium 4000 [INT] | 17272 | Add. pack AquaMax Eco 1" - 1 1/2" | 1 |
| | 50735 | AquaMax Eco Premium 4000 [GB] | | | |
| | 50736 | AquaMax Eco Premium 6000 [INT] | | | |
| | 50739 | AquaMax Eco Premium 6000 [GB] | | | |
| | 50740 | AquaMax Eco Premium 8000 [INT] | | | |
| | 50741 | AquaMax Eco Premium 8000 [GB] | | | |
| 51078 | AquaMax Eco Premium 10000 [INT] | | | | |
| | 51085 | AquaMax Eco Premium 10000 [GB] | | | |

| Pos. | Item no. Product | Product | Item no. Spare part | Spare part | Number |
|------|---------------------|---------------------------------|------------------------|--|--------|
| 7 | 50734 | AquaMax Eco Premium 4000 [INT] | 16961 | Pump holder EC1 AquaMax Pro | 1 |
| | 50735 | AquaMax Eco Premium 4000 [GB] | | | |
| | 50736 | AquaMax Eco Premium 6000 [INT] | | | |
| | 50739 | AquaMax Eco Premium 6000 [GB] | | | |
| | 50740 | AquaMax Eco Premium 8000 [INT] | | | |
| | 50741 | AquaMax Eco Premium 8000 [GB] | | | |
| | 51078 | AquaMax Eco Premium 10000 [INT] | | | |
| | 51085 | AquaMax Eco Premium 10000 [GB] | | | |
| 8 | 50734 | AquaMax Eco Premium 4000 [INT] | 17962 | Spare filter housing base AquaMaxEco Pr. | 1 |
| | 50735 | AquaMax Eco Premium 4000 [GB] | | | |
| | 50736 | AquaMax Eco Premium 6000 [INT] | | | |
| | 50739 | AquaMax Eco Premium 6000 [GB] | | | |
| | 50740 | AquaMax Eco Premium 8000 [INT] | | | |
| | 50741 | AquaMax Eco Premium 8000 [GB] | | | |
| | 51078 | AquaMax Eco Premium 10000 [INT] | | | |
| | 51085 | AquaMax Eco Premium 10000 [GB] | | | |
| 9 | 50734 | AquaMax Eco Premium 4000 [INT] | 16867 | Suction adapter AquaMax Pro | 1 |
| | 50735 | AquaMax Eco Premium 4000 [GB] | | | |
| | 50736 | AquaMax Eco Premium 6000 [INT] | | | |
| | 50739 | AquaMax Eco Premium 6000 [GB] | | | |
| | 50740 | AquaMax Eco Premium 8000 [INT] | | | |
| | 50741 | AquaMax Eco Premium 8000 [GB] | | | |
| | 51078 | AquaMax Eco Premium 10000 [INT] | | | |
| | 51085 | AquaMax Eco Premium 10000 [GB] | | | |
| 10 | 50734 | AquaMax Eco Premium 4000 [INT] | 16866 | Regulator AquaMax Pro | 4 |
| | 50735 | AquaMax Eco Premium 4000 [GB] | | | |
| | 50736 | AquaMax Eco Premium 6000 [INT] | | | |
| | 50739 | AquaMax Eco Premium 6000 [GB] | | | |
| | 50740 | AquaMax Eco Premium 8000 [INT] | | | |
| | 50741 | AquaMax Eco Premium 8000 [GB] | | | |
| | 51078 | AquaMax Eco Premium 10000 [INT] | | | |
| | 51085 | AquaMax Eco Premium 10000 [GB] | | | |
| 11 | 50734 | AquaMax Eco Premium 4000 [INT] | 22853 | Oval head screw CH-V2A DIN 7981 4.8x19 | 1 |
| | 50735 | AquaMax Eco Premium 4000 [GB] | | | |
| | 50736 | AquaMax Eco Premium 6000 [INT] | | | |
| | 50739 | AquaMax Eco Premium 6000 [GB] | | | |
| | 50740 | AquaMax Eco Premium 8000 [INT] | | | |
| | 50741 | AquaMax Eco Premium 8000 [GB] | | | |
| | 51078 | AquaMax Eco Premium 10000 [INT] | | | |
| | 51085 | AquaMax Eco Premium 10000 [GB] | | | |
| 12 | 50734 | AquaMax Eco Premium 4000 [INT] | 30983 | Clip Bitron Eco / AquaMax | 4 |
| | 50735 | AquaMax Eco Premium 4000 [GB] | | | |
| | 50736 | AquaMax Eco Premium 6000 [INT] | | | |
| | 50739 | AquaMax Eco Premium 6000 [GB] | | | |
| | 50740 | AquaMax Eco Premium 8000 [INT] | | | |
| | 50741 | AquaMax Eco Premium 8000 [GB] | | | |
| | 51078 | AquaMax Eco Premium 10000 [INT] | | | |
| | 51085 | AquaMax Eco Premium 10000 [GB] | | | |

| Pos. | Item no. Product | Product | Item no. Spare part | Spare part | Number |
|------|---------------------|---------------------------------|------------------------|--|--------|
| 13 | 50734 | AquaMax Eco Premium 4000 [INT] | 6055 | Oval head screw V2A DIN 7985 M5 x 20 H | 1 |
| | 50735 | AquaMax Eco Premium 4000 [GB] | | | 4 |
| | 50736 | AquaMax Eco Premium 6000 [INT] | | | 4 |
| | 50739 | AquaMax Eco Premium 6000 [GB] | | | 4 |
| | 50740 | AquaMax Eco Premium 8000 [INT] | | | 1 |
| | 50741 | AquaMax Eco Premium 8000 [GB] | | | 4 |
| | 51078 | AquaMax Eco Premium 10000 [INT] | | | 1 |
| | 51085 | AquaMax Eco Premium 10000 [GB] | | | 1 |
| 14 | 50734 | AquaMax Eco Premium 4000 [INT] | 17964 | Spare rotor AquaMax Eco Pre. 4000 - 8000 | 1 |
| | 50735 | AquaMax Eco Premium 4000 [GB] | | | |
| | 50736 | AquaMax Eco Premium 6000 [INT] | | | |
| | 50739 | AquaMax Eco Premium 6000 [GB] | | | |
| | 50740 | AquaMax Eco Premium 8000 [INT] | | | |
| | 50741 | AquaMax Eco Premium 8000 [GB] | | | |
| | 51078 | AquaMax Eco Premium 10000 [INT] | | | |
| | 51085 | AquaMax Eco Premium 10000 [GB] | | | |
| 15 | 50734 | AquaMax Eco Premium 4000 [INT] | 35468 | ASM inside housing EC1 pre-assembled | 1 |
| | 50735 | AquaMax Eco Premium 4000 [GB] | | | |
| | 50736 | AquaMax Eco Premium 6000 [INT] | | | |
| | 50739 | AquaMax Eco Premium 6000 [GB] | | | |
| | 50740 | AquaMax Eco Premium 8000 [INT] | | | |
| | 50741 | AquaMax Eco Premium 8000 [GB] | | | |
| | 51078 | AquaMax Eco Premium 10000 [INT] | | | |
| | 51085 | AquaMax Eco Premium 10000 [GB] | | | |
| 16 | 50734 | AquaMax Eco Premium 4000 [INT] | 3635 | O-Ring SI 76 x 4 SH50 red/br. | 1 |
| | 50735 | AquaMax Eco Premium 4000 [GB] | | | |
| | 50736 | AquaMax Eco Premium 6000 [INT] | | | |
| | 50739 | AquaMax Eco Premium 6000 [GB] | | | |
| | 50740 | AquaMax Eco Premium 8000 [INT] | | | |
| | 50741 | AquaMax Eco Premium 8000 [GB] | | | |
| | 51078 | AquaMax Eco Premium 10000 [INT] | | | |
| | 51085 | AquaMax Eco Premium 10000 [GB] | | | |
| 17 | 50734 | AquaMax Eco Premium 4000 [INT] | 17966 | Spare pump housing AquaMax Eco Pr. 4000 | 1 |
| | 50735 | AquaMax Eco Premium 4000 [GB] | 17967 | Spare pump housing AquaMax Eco Pr. 6000 | 1 |
| | 50736 | AquaMax Eco Premium 6000 [INT] | | | |
| | 50739 | AquaMax Eco Premium 6000 [GB] | 17968 | Spare pump housing AquaMax Eco Pr. 8000 | 1 |
| | 50740 | AquaMax Eco Premium 8000 [INT] | | | |
| | 50741 | AquaMax Eco Premium 8000 [GB] | 21460 | Spare pump housing AquaMax Eco Pr. 10000 | 1 |
| | 51078 | AquaMax Eco Premium 10000 [INT] | | | |
| | 51085 | AquaMax Eco Premium 10000 [GB] | | | |
| 18 | 50734 | AquaMax Eco Premium 4000 [INT] | 28539 | O-Ring NBR 78 x 4.3 SH70 | 1 |
| | 50735 | AquaMax Eco Premium 4000 [GB] | | | |
| | 50736 | AquaMax Eco Premium 6000 [INT] | | | |
| | 50739 | AquaMax Eco Premium 6000 [GB] | | | |
| | 50740 | AquaMax Eco Premium 8000 [INT] | | | |
| | 50741 | AquaMax Eco Premium 8000 [GB] | | | |
| | 51078 | AquaMax Eco Premium 10000 [INT] | | | |
| | 51085 | AquaMax Eco Premium 10000 [GB] | | | |

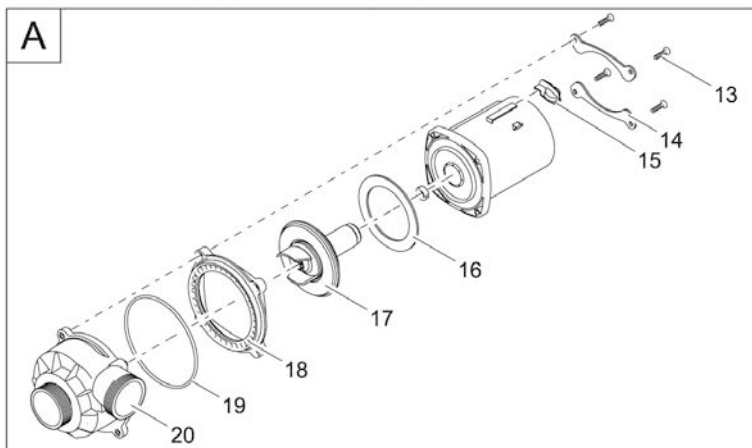
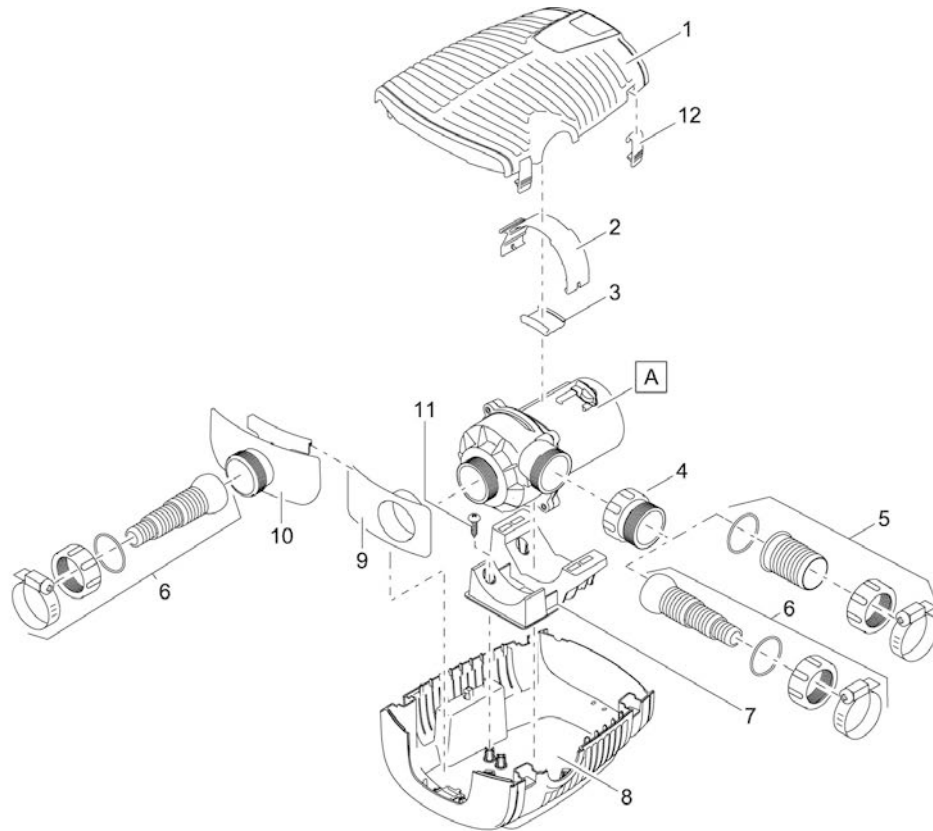
| Item no. | Product |
|----------|------------------------------|
| 50742 | AquaMax Eco Premium 12000 |
| 50745 | AquaMax Eco Premium 16000 |
| 50743 | GB AquaMax Eco Premium 12000 |
| 50746 | GB AquaMax Eco Premium 16000 |



| Pos. | Item no. Product | Product | Item no. Spare part | Spare part | Number |
|------|---------------------|---------------------------------|------------------------|--|--------|
| 1 | 50742 | AquaMax Eco Premium 12000 [INT] | 17963 | Spare filter housing top AquaMax Eco Pr. | 1 |
| | 50743 | AquaMax Eco Premium 12000 [GB] | | | |
| | 50745 | AquaMax Eco Premium 16000 [INT] | | | |
| | 50746 | AquaMax Eco Premium 16000 [GB] | | | |
| 2 | 50742 | AquaMax Eco Premium 12000 [INT] | 16982 | Clamp EC2 | 1 |
| | 50743 | AquaMax Eco Premium 12000 [GB] | | | |
| | 50745 | AquaMax Eco Premium 16000 [INT] | | | |
| | 50746 | AquaMax Eco Premium 16000 [GB] | | | |
| 3 | 50742 | AquaMax Eco Premium 12000 [INT] | 17232 | Rubber part AquaMax Pro | 1 |
| | 50743 | AquaMax Eco Premium 12000 [GB] | | | |
| | 50745 | AquaMax Eco Premium 16000 [INT] | | | |
| | 50746 | AquaMax Eco Premium 16000 [GB] | | | |
| 4 | 50742 | AquaMax Eco Premium 12000 [INT] | 16859 | Adapter 2" | 1 |
| | 50743 | AquaMax Eco Premium 12000 [GB] | | | |
| | 50745 | AquaMax Eco Premium 16000 [INT] | | | |
| | 50746 | AquaMax Eco Premium 16000 [GB] | | | |
| 5 | 50742 | AquaMax Eco Premium 12000 [INT] | 17069 | Add. pack AquaMax Eco 2" | 1 |
| | 50743 | AquaMax Eco Premium 12000 [GB] | | | |
| | 50745 | AquaMax Eco Premium 16000 [INT] | | | |
| | 50746 | AquaMax Eco Premium 16000 [GB] | | | |
| 6 | 50742 | AquaMax Eco Premium 12000 [INT] | 17272 | Add. pack AquaMax Eco 1" - 1 1/2" | 1 |
| | 50743 | AquaMax Eco Premium 12000 [GB] | | | |
| | 50745 | AquaMax Eco Premium 16000 [INT] | | | |
| | 50746 | AquaMax Eco Premium 16000 [GB] | | | |
| 7 | 50742 | AquaMax Eco Premium 12000 [INT] | 16956 | Pump holder EC2 AquaMax Pro | 1 |
| | 50743 | AquaMax Eco Premium 12000 [GB] | | | |
| | 50745 | AquaMax Eco Premium 16000 [INT] | | | |
| | 50746 | AquaMax Eco Premium 16000 [GB] | | | |
| 8 | 50742 | AquaMax Eco Premium 12000 [INT] | 17962 | Spare filter housing base AquaMaxEco Pr. | 1 |
| | 50743 | AquaMax Eco Premium 12000 [GB] | | | |
| | 50745 | AquaMax Eco Premium 16000 [INT] | | | |
| | 50746 | AquaMax Eco Premium 16000 [GB] | | | |
| 9 | 50742 | AquaMax Eco Premium 12000 [INT] | 16867 | Suction adapter AquaMax Pro | 1 |
| | 50743 | AquaMax Eco Premium 12000 [GB] | | | |
| | 50745 | AquaMax Eco Premium 16000 [INT] | | | |
| | 50746 | AquaMax Eco Premium 16000 [GB] | | | |
| 10 | 50742 | AquaMax Eco Premium 12000 [INT] | 16866 | Regulator AquaMax Pro | 4 |
| | 50743 | AquaMax Eco Premium 12000 [GB] | | | 1 |
| | 50745 | AquaMax Eco Premium 16000 [INT] | | | 4 |
| | 50746 | AquaMax Eco Premium 16000 [GB] | | | 1 |
| 11 | 50742 | AquaMax Eco Premium 12000 [INT] | 22853 | Oval head screw CH-V2A DIN 7981 4.8x19 | 1 |
| | 50743 | AquaMax Eco Premium 12000 [GB] | | | 4 |
| | 50745 | AquaMax Eco Premium 16000 [INT] | | | 1 |
| | 50746 | AquaMax Eco Premium 16000 [GB] | | | 4 |
| 12 | 50742 | AquaMax Eco Premium 12000 [INT] | 30983 | Clip Bitron Eco / AquaMax | 4 |
| | 50743 | AquaMax Eco Premium 12000 [GB] | | | 1 |
| | 50745 | AquaMax Eco Premium 16000 [INT] | | | 4 |
| | 50746 | AquaMax Eco Premium 16000 [GB] | | | 1 |

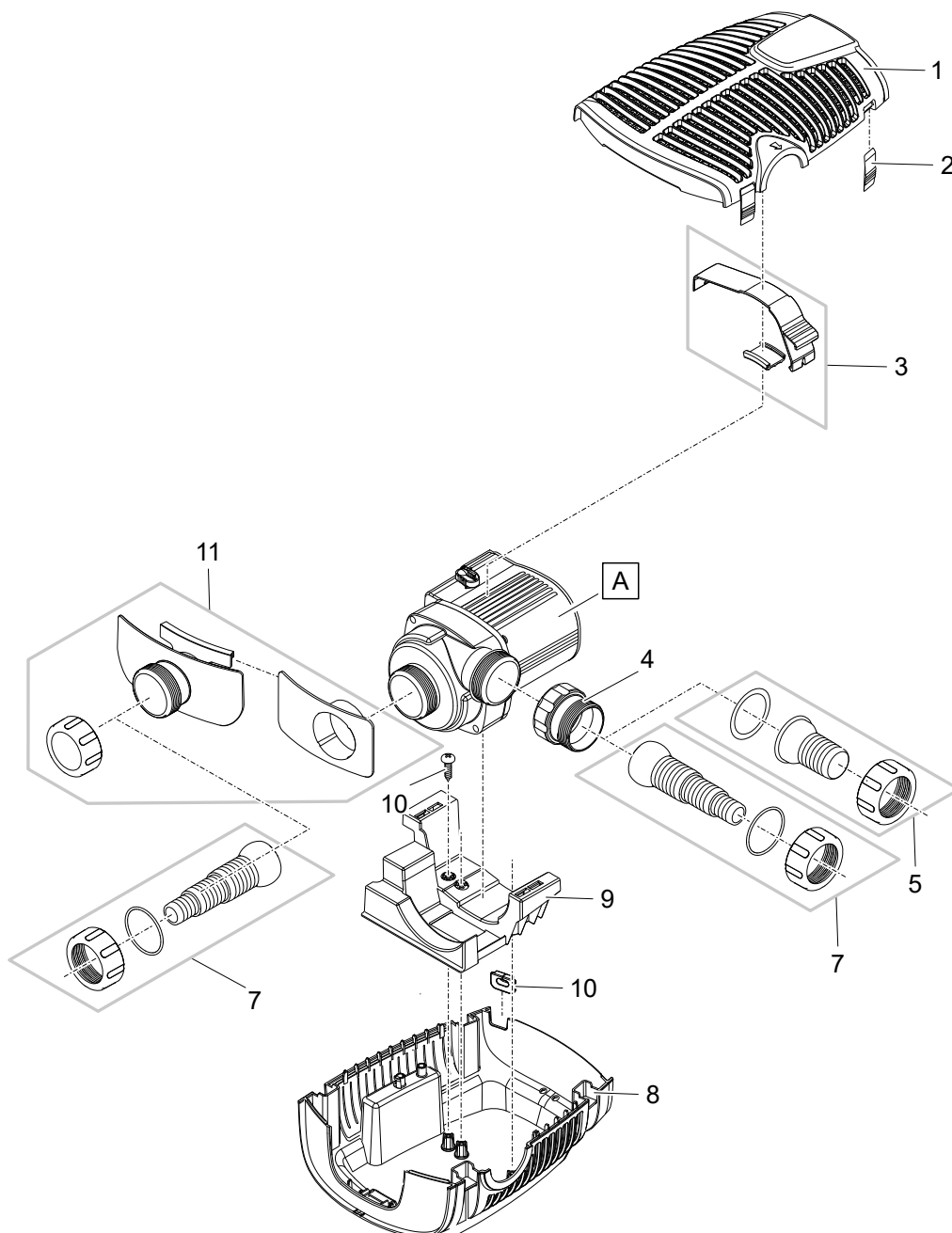
| Pos. | Item no. Product | Product | Item no. Spare part | Spare part | Number |
|------|---------------------|---------------------------------|------------------------|--|--------|
| 13 | 50742 | AquaMax Eco Premium 12000 [INT] | 6055 | Oval head screw V2A DIN 7985 M5 x 20 H | 1 |
| | 50743 | AquaMax Eco Premium 12000 [GB] | | | 4 |
| | 50745 | AquaMax Eco Premium 16000 [INT] | | | 1 |
| | 50746 | AquaMax Eco Premium 16000 [GB] | | | 4 |
| 14 | 50742 | AquaMax Eco Premium 12000 [INT] | 35763 | ASM slider EC2 | 1 |
| | 50743 | AquaMax Eco Premium 12000 [GB] | | | |
| | 50745 | AquaMax Eco Premium 16000 [INT] | | | |
| | 50746 | AquaMax Eco Premium 16000 [GB] | | | |
| 15 | 50742 | AquaMax Eco Premium 12000 [INT] | 17965 | Spare rotor AquaMax Eco Pre. 12000-16000 | 1 |
| | 50743 | AquaMax Eco Premium 12000 [GB] | | | |
| | 50745 | AquaMax Eco Premium 16000 [INT] | | | |
| | 50746 | AquaMax Eco Premium 16000 [GB] | | | |
| 16 | 50742 | AquaMax Eco Premium 12000 [INT] | 17969 | Spare pump housing AquaMax Eco Pr. 12000 | 1 |
| | 50743 | AquaMax Eco Premium 12000 [GB] | | | |
| | 50745 | AquaMax Eco Premium 16000 [INT] | 17970 | Spare pump housing AquaMax Eco Pr. 16000 | 1 |
| | 50746 | AquaMax Eco Premium 16000 [GB] | | | |
| 17 | 50742 | AquaMax Eco Premium 12000 [INT] | 24151 | Flat gasket NBR 107 x 78 x 2.5 SH45 | 1 |
| | 50743 | AquaMax Eco Premium 12000 [GB] | | | |
| | 50745 | AquaMax Eco Premium 16000 [INT] | | | |
| | 50746 | AquaMax Eco Premium 16000 [GB] | | | |

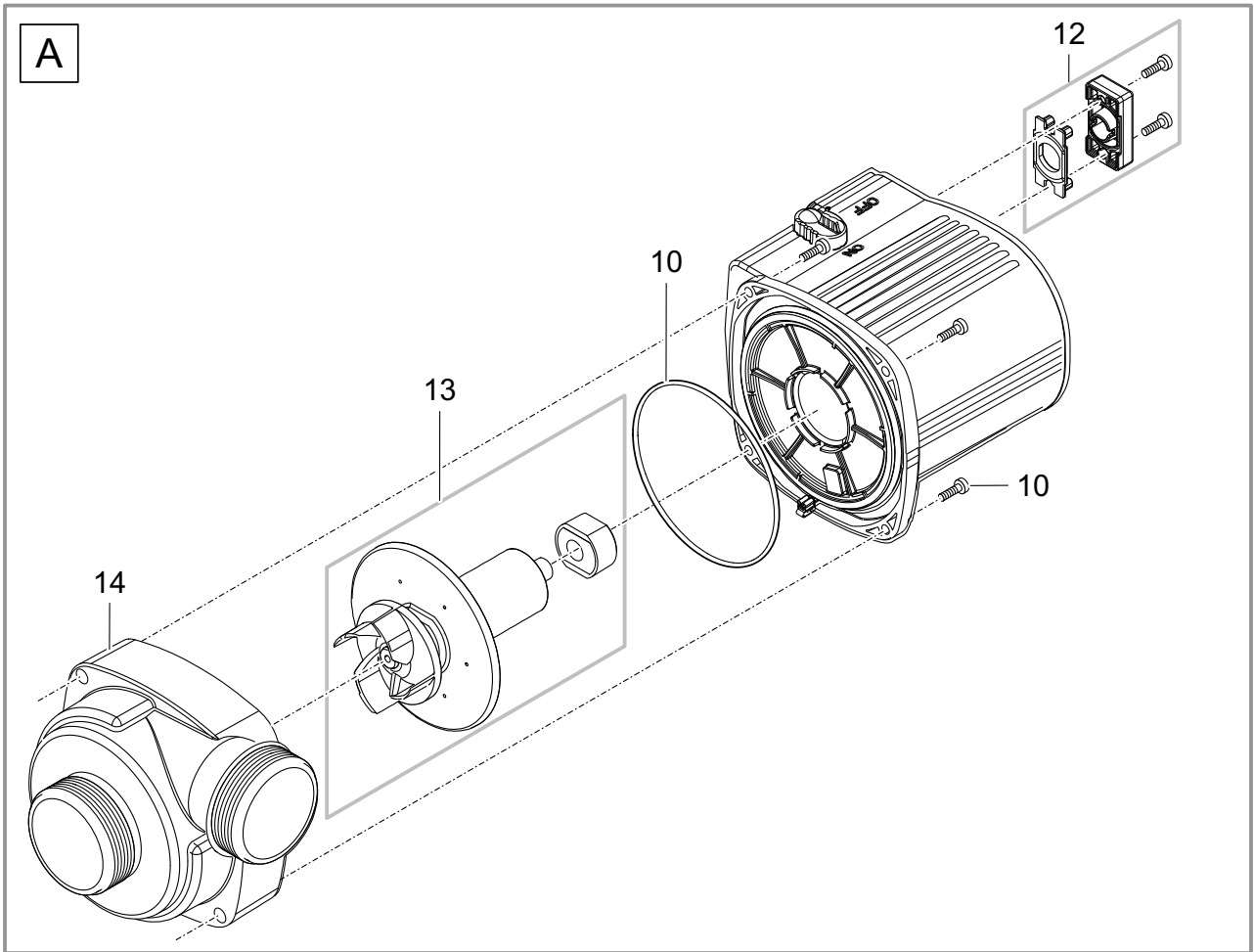
| Item no. | Product |
|----------|------------------------------|
| 56406 | AquaMax Eco Premium 20000 |
| 56409 | GB AquaMax Eco Premium 20000 |



| Pos. | Item no. Product | Product | Item no. Spare part | Spare part | Number |
|------|---------------------|---------------------------------|------------------------|--|--------|
| 1 | 56406 | AquaMax Eco Premium 20000 [INT] | 17963 | Spare filter housing top AquaMax Eco Pr. | 1 |
| | 56409 | AquaMax Eco Premium 20000 [GB] | | | |
| 2 | 56406 | AquaMax Eco Premium 20000 [INT] | 16982 | Clamp EC2 | 1 |
| | 56409 | AquaMax Eco Premium 20000 [GB] | | | |
| 3 | 56406 | AquaMax Eco Premium 20000 [INT] | 17232 | Rubber part AquaMax Pro | 1 |
| | 56409 | AquaMax Eco Premium 20000 [GB] | | | |
| 4 | 56406 | AquaMax Eco Premium 20000 [INT] | 16859 | Adapter 2" | 1 |
| | 56409 | AquaMax Eco Premium 20000 [GB] | | | |
| 5 | 56406 | AquaMax Eco Premium 20000 [INT] | 17069 | Add. pack AquaMax Eco 2" | 1 |
| | 56409 | AquaMax Eco Premium 20000 [GB] | | | |
| 6 | 56406 | AquaMax Eco Premium 20000 [INT] | 17272 | Add. pack AquaMax Eco 1" - 1 1/2" | 1 |
| | 56409 | AquaMax Eco Premium 20000 [GB] | | | |
| 7 | 56406 | AquaMax Eco Premium 20000 [INT] | 30231 | Pump holder EC2-XL | 1 |
| | 56409 | AquaMax Eco Premium 20000 [GB] | | | |
| 8 | 56406 | AquaMax Eco Premium 20000 [INT] | 17962 | Spare filter housing base AquaMaxEco Pr. | 1 |
| | 56409 | AquaMax Eco Premium 20000 [GB] | | | |
| 9 | 56406 | AquaMax Eco Premium 20000 [INT] | 16867 | Suction adapter AquaMax Pro | 1 |
| | 56409 | AquaMax Eco Premium 20000 [GB] | | | |
| 10 | 56406 | AquaMax Eco Premium 20000 [INT] | 16866 | Regulator AquaMax Pro | 4 |
| | 56409 | AquaMax Eco Premium 20000 [GB] | | | |
| 11 | 56406 | AquaMax Eco Premium 20000 [INT] | 22853 | Oval head screw CH-V2A DIN 7981 4.8x19 | 1 |
| | 56409 | AquaMax Eco Premium 20000 [GB] | | | |
| 12 | 56406 | AquaMax Eco Premium 20000 [INT] | 30983 | Clip Bitron Eco / AquaMax | 1 |
| | 56409 | AquaMax Eco Premium 20000 [GB] | | | |
| 13 | 56406 | AquaMax Eco Premium 20000 [INT] | 13082 | Oval head screw H-V4A DIN 7985 5 x 25 | 1 |
| | 56409 | AquaMax Eco Premium 20000 [GB] | | | |
| 14 | 56406 | AquaMax Eco Premium 20000 [INT] | 30218 | Adapter intermediate housing EC 2 | 1 |
| | 56409 | AquaMax Eco Premium 20000 [GB] | | | |
| 15 | 56406 | AquaMax Eco Premium 20000 [INT] | 35763 | ASM slider EC2 | 1 |
| | 56409 | AquaMax Eco Premium 20000 [GB] | | | |
| 16 | 56406 | AquaMax Eco Premium 20000 [INT] | 24151 | Flat gasket NBR 107 x 78 x 2.5 SH45 | 1 |
| | 56409 | AquaMax Eco Premium 20000 [GB] | | | |
| 17 | 56406 | AquaMax Eco Premium 20000 [INT] | 30538 | Spare rotor AquaMax Eco Premium 20000 | 1 |
| | 56409 | AquaMax Eco Premium 20000 [GB] | | | |
| 18 | 56406 | AquaMax Eco Premium 20000 [INT] | 30217 | Intermediate housing EC 2 | 1 |
| | 56409 | AquaMax Eco Premium 20000 [GB] | | | |
| 19 | 56406 | AquaMax Eco Premium 20000 [INT] | 89058 | O-Ring NBR 120 x 4 SH70 | 1 |
| | 56409 | AquaMax Eco Premium 20000 [GB] | | | |
| 20 | 56406 | AquaMax Eco Premium 20000 [INT] | 30235 | ASM Pumphousing AquaMax Eco Prem. 20000 | 1 |
| | 56409 | AquaMax Eco Premium 20000 [GB] | | | |

| Item no. | Product |
|----------|------------------------------|
| 75923 | AquaMax Eco Premium 5000 |
| 75924 | AquaMax Eco Premium 9000 |
| 75925 | AquaMax Eco Premium 13000 |
| 75926 | AquaMax Eco Premium 17000 |
| 75927 | AquaMax Eco Premium 21000 |
| 85487 | AquaMax Eco Premium 7000 |
| 75928 | GB AquaMax Eco Premium 5000 |
| 75929 | GB AquaMax Eco Premium 9000 |
| 75932 | GB AquaMax Eco Premium 13000 |
| 75933 | GB AquaMax Eco Premium 17000 |
| 75934 | GB AquaMax Eco Premium 21000 |
| 85488 | GB AquaMax Eco Premium 7000 |





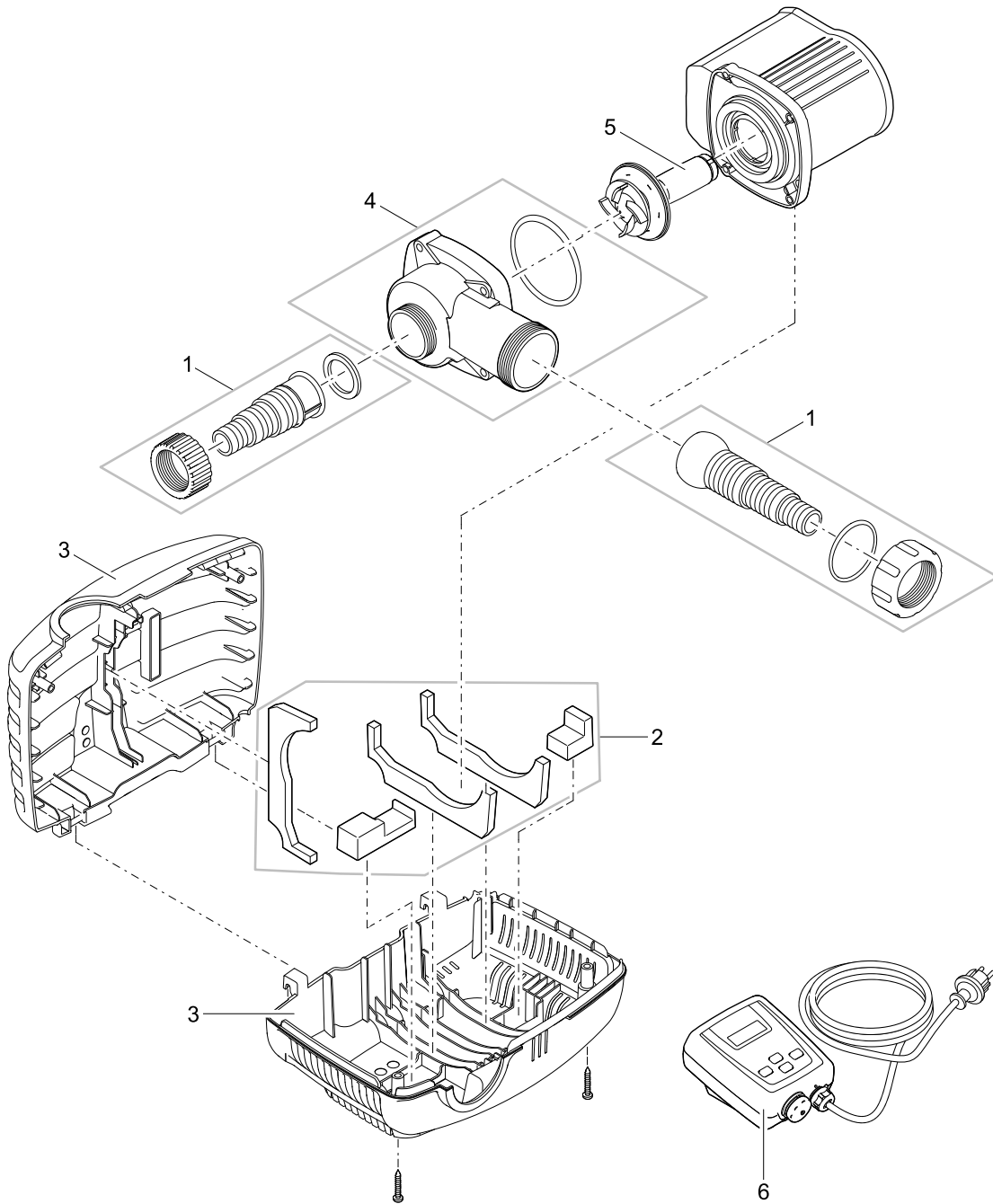
| Pos. | Item no. Product | Product | Item no. Spare part | Spare part | Number |
|------|---------------------|---------------------------------|------------------------|--|--------|
| | 75923 | AquaMax Eco Premium 5000 [INT] | | | |
| | 75924 | AquaMax Eco Premium 9000 [INT] | | | |
| | 75925 | AquaMax Eco Premium 13000 [INT] | | | |
| | 75926 | AquaMax Eco Premium 17000 [INT] | | | |
| | 75927 | AquaMax Eco Premium 21000 [INT] | | | |
| 1 | 75928 | AquaMax Eco Premium 5000 [GB] | 17963 | Spare filter housing top AquaMax Eco Pr. | 1 |
| | 75929 | AquaMax Eco Premium 9000 [GB] | | | |
| | 75932 | AquaMax Eco Premium 13000 [GB] | | | |
| | 75933 | AquaMax Eco Premium 17000 [GB] | | | |
| | 75934 | AquaMax Eco Premium 21000 [GB] | | | |
| | 85487 | AquaMax Eco Premium 7000 [INT] | | | |
| | 85488 | AquaMax Eco Premium 7000 [GB] | | | |
| | 75923 | AquaMax Eco Premium 5000 [INT] | | | |
| | 75924 | AquaMax Eco Premium 9000 [INT] | | | |
| | 75925 | AquaMax Eco Premium 13000 [INT] | | | |
| | 75926 | AquaMax Eco Premium 17000 [INT] | | | |
| | 75927 | AquaMax Eco Premium 21000 [INT] | | | |
| 2 | 75928 | AquaMax Eco Premium 5000 [GB] | 30983 | Clip Bitron Eco / AquaMax | 1 |
| | 75929 | AquaMax Eco Premium 9000 [GB] | | | |
| | 75932 | AquaMax Eco Premium 13000 [GB] | | | |
| | 75933 | AquaMax Eco Premium 17000 [GB] | | | |
| | 75934 | AquaMax Eco Premium 21000 [GB] | | | |
| | 85487 | AquaMax Eco Premium 7000 [INT] | | | |
| | 85488 | AquaMax Eco Premium 7000 [GB] | | | |
| | 75923 | AquaMax Eco Premium 5000 [INT] | 92640 | Clamp AquaMax 5000 - 9000 | 1 |
| | 75924 | AquaMax Eco Premium 9000 [INT] | | | |
| | 75925 | AquaMax Eco Premium 13000 [INT] | | | |
| | 75926 | AquaMax Eco Premium 17000 [INT] | 92641 | Clamp AquaMax 13000 - 21000 | 1 |
| | 75927 | AquaMax Eco Premium 21000 [INT] | | | |
| 3 | 75928 | AquaMax Eco Premium 5000 [GB] | | | |
| | 75929 | AquaMax Eco Premium 9000 [GB] | | | |
| | 75932 | AquaMax Eco Premium 13000 [GB] | | | |
| | 75933 | AquaMax Eco Premium 17000 [GB] | 92640 | Clamp AquaMax 5000 - 9000 | 1 |
| | 75934 | AquaMax Eco Premium 21000 [GB] | | | |
| | 85487 | AquaMax Eco Premium 7000 [INT] | | | |
| | 85488 | AquaMax Eco Premium 7000 [GB] | | | |
| | 75923 | AquaMax Eco Premium 5000 [INT] | | | |
| | 75924 | AquaMax Eco Premium 9000 [INT] | | | |
| | 75925 | AquaMax Eco Premium 13000 [INT] | | | |
| | 75926 | AquaMax Eco Premium 17000 [INT] | | | |
| | 75927 | AquaMax Eco Premium 21000 [INT] | | | |
| 4 | 75928 | AquaMax Eco Premium 5000 [GB] | 16859 | Adapter 2" | 1 |
| | 75929 | AquaMax Eco Premium 9000 [GB] | | | |
| | 75932 | AquaMax Eco Premium 13000 [GB] | | | |
| | 75933 | AquaMax Eco Premium 17000 [GB] | | | |
| | 75934 | AquaMax Eco Premium 21000 [GB] | | | |
| | 85487 | AquaMax Eco Premium 7000 [INT] | | | |
| | 85488 | AquaMax Eco Premium 7000 [GB] | | | |

| Pos. | Item no. Product | Product | Item no. Spare part | Spare part | Number | | | |
|-------|--------------------------------|---------------------------------|------------------------|--|--------|-------|-------------------------|---|
| 5 | 75923 | AquaMax Eco Premium 5000 [INT] | 17064 | Add. pack AquaMax Eco 1 1/2" | 1 | | | |
| | 75928 | AquaMax Eco Premium 5000 [GB] | | | | | | |
| | 85487 | AquaMax Eco Premium 7000 [INT] | | | | | | |
| | 85488 | AquaMax Eco Premium 7000 [GB] | | | | | | |
| 7 | 75923 | AquaMax Eco Premium 5000 [INT] | 17272 | Add. pack AquaMax Eco 1" - 1 1/2" | 1 | | | |
| | 75924 | AquaMax Eco Premium 9000 [INT] | | | | | | |
| | 75925 | AquaMax Eco Premium 13000 [INT] | | | | | | |
| | 75926 | AquaMax Eco Premium 17000 [INT] | | | | | | |
| | 75927 | AquaMax Eco Premium 21000 [INT] | | | | | | |
| | 75928 | AquaMax Eco Premium 5000 [GB] | | | | | | |
| | 75929 | AquaMax Eco Premium 9000 [GB] | | | | | | |
| | 75932 | AquaMax Eco Premium 13000 [GB] | | | | | | |
| | 75933 | AquaMax Eco Premium 17000 [GB] | | | | | | |
| | 75934 | AquaMax Eco Premium 21000 [GB] | | | | | | |
| | 85487 | AquaMax Eco Premium 7000 [INT] | | | | | | |
| 8 | 85488 | AquaMax Eco Premium 7000 [GB] | 17962 | Spare filter housing base AquaMaxEco Pr. | 1 | | | |
| | 75923 | AquaMax Eco Premium 5000 [INT] | | | | | | |
| | 75924 | AquaMax Eco Premium 9000 [INT] | | | | | | |
| | 75925 | AquaMax Eco Premium 13000 [INT] | | | | | | |
| | 75926 | AquaMax Eco Premium 17000 [INT] | | | | | | |
| | 75927 | AquaMax Eco Premium 21000 [INT] | | | | | | |
| | 75928 | AquaMax Eco Premium 5000 [GB] | | | | | | |
| | 75929 | AquaMax Eco Premium 9000 [GB] | | | | | | |
| | 75932 | AquaMax Eco Premium 13000 [GB] | | | | | | |
| | 75933 | AquaMax Eco Premium 17000 [GB] | | | | | | |
| | 75934 | AquaMax Eco Premium 21000 [GB] | | | | | | |
| 9 | 85487 | AquaMax Eco Premium 7000 [INT] | 73312 | Pump holder FOC2 AM Pre | 1 | | | |
| | 85488 | AquaMax Eco Premium 7000 [GB] | | | | | | |
| | 75923 | AquaMax Eco Premium 5000 [INT] | | | | | | |
| | 75924 | AquaMax Eco Premium 9000 [INT] | | | | | | |
| | 75925 | AquaMax Eco Premium 13000 [INT] | | | | 75487 | Holder AquaMax FOC4 | 1 |
| | 75926 | AquaMax Eco Premium 17000 [INT] | | | | 73312 | Pump holder FOC2 AM Pre | 1 |
| | 75927 | AquaMax Eco Premium 21000 [INT] | | | | 75487 | Holder AquaMax FOC4 | 1 |
| | 75928 | AquaMax Eco Premium 5000 [GB] | | | | 73312 | Pump holder FOC2 AM Pre | 1 |
| | 75929 | AquaMax Eco Premium 9000 [GB] | | | | | | |
| | 75932 | AquaMax Eco Premium 13000 [GB] | | | | | | |
| | 75933 | AquaMax Eco Premium 17000 [GB] | | | | | | |
| 75934 | AquaMax Eco Premium 21000 [GB] | | | | | | | |
| | 85487 | AquaMax Eco Premium 7000 [INT] | | | | | | |
| | 85488 | AquaMax Eco Premium 7000 [GB] | | | | | | |

| Pos. | Item no. Product | Product | Item no. Spare part | Spare part | Number | | |
|-------|---------------------------------|---------------------------------|--|---|--------|--|--------------------------------------|
| 10 | 75923 | AquaMax Eco Premium 5000 [INT] | 97108 | Small spare comp. AquaMax Premium small | 1 | | |
| | 75924 | AquaMax Eco Premium 9000 [INT] | | | | | |
| | 75925 | AquaMax Eco Premium 13000 [INT] | | | | | |
| | 75926 | AquaMax Eco Premium 17000 [INT] | | | | | |
| | 75927 | AquaMax Eco Premium 21000 [INT] | | | | | |
| | 75928 | AquaMax Eco Premium 5000 [GB] | 92638 | Small spare comp. AquaMax Premium large | 1 | | |
| | 75929 | AquaMax Eco Premium 9000 [GB] | | | | | |
| | 75932 | AquaMax Eco Premium 13000 [GB] | | | | | |
| | 75933 | AquaMax Eco Premium 17000 [GB] | | | | | |
| | 75934 | AquaMax Eco Premium 21000 [GB] | | | | | |
| 11 | 85487 | AquaMax Eco Premium 7000 [INT] | 97108 | Small spare comp. AquaMax Premium small | 1 | | |
| | 85488 | AquaMax Eco Premium 7000 [GB] | | | | | |
| | 75923 | AquaMax Eco Premium 5000 [INT] | | | | | |
| | 75924 | AquaMax Eco Premium 9000 [INT] | | | | | |
| | 75925 | AquaMax Eco Premium 13000 [INT] | | | | | |
| | 75926 | AquaMax Eco Premium 17000 [INT] | 92639 | Suction adapter set AquaMax Premium | 1 | | |
| | 75927 | AquaMax Eco Premium 21000 [INT] | | | | | |
| | 75928 | AquaMax Eco Premium 5000 [GB] | | | | | |
| | 75929 | AquaMax Eco Premium 9000 [GB] | | | | | |
| | 75932 | AquaMax Eco Premium 13000 [GB] | | | | | |
| 12 | 75933 | AquaMax Eco Premium 17000 [GB] | 97110 | ASM gland seal with gasket set L22 | 1 | | |
| | 75934 | AquaMax Eco Premium 21000 [GB] | | | | | |
| | 85487 | AquaMax Eco Premium 7000 [INT] | | | | | |
| | 85488 | AquaMax Eco Premium 7000 [GB] | | | | | |
| | 75923 | AquaMax Eco Premium 5000 [INT] | | | | | |
| | 75924 | AquaMax Eco Premium 9000 [INT] | 92644 | Spare rotor AquaMax Eco Premium 5/7000 | 1 | | |
| | 75925 | AquaMax Eco Premium 13000 [INT] | | | | | |
| | 75926 | AquaMax Eco Premium 17000 [INT] | | | | | |
| | 75927 | AquaMax Eco Premium 21000 [INT] | | | | | |
| | 75928 | AquaMax Eco Premium 5000 [GB] | | | | 92645 | Spare rotor AquaMax Eco Premium 9000 |
| 75929 | AquaMax Eco Premium 9000 [GB] | | | | | | |
| 75932 | AquaMax Eco Premium 13000 [GB] | | | | | | |
| 75933 | AquaMax Eco Premium 17000 [GB] | | | | | | |
| 75934 | AquaMax Eco Premium 21000 [GB] | 92646 | Spare rotor AquaMax Eco Premium 13000 | 1 | | | |
| 85487 | AquaMax Eco Premium 7000 [INT] | | | | | | |
| 85488 | AquaMax Eco Premium 7000 [GB] | | | | | | |
| 75923 | AquaMax Eco Premium 5000 [INT] | | | | 92647 | Spare rotor AquaMax Eco Premium 17000 | 1 |
| 75924 | AquaMax Eco Premium 9000 [INT] | | | | | | |
| 75925 | AquaMax Eco Premium 13000 [INT] | | | | | | |
| 75926 | AquaMax Eco Premium 17000 [INT] | | | | | | |
| 75927 | AquaMax Eco Premium 21000 [INT] | 92648 | Spare rotor AquaMax Eco Premium 21000 | 1 | | | |
| 75928 | AquaMax Eco Premium 5000 [GB] | | | | | | |
| 75929 | AquaMax Eco Premium 9000 [GB] | | | | | | |
| 75932 | AquaMax Eco Premium 13000 [GB] | | | | | | |
| 75933 | AquaMax Eco Premium 17000 [GB] | | | | 92644 | Spare rotor AquaMax Eco Premium 5/7000 | 1 |
| 75934 | AquaMax Eco Premium 21000 [GB] | | | | | | |
| 85487 | AquaMax Eco Premium 7000 [INT] | | | | | | |
| 85488 | AquaMax Eco Premium 7000 [GB] | | | | | | |
| 75923 | AquaMax Eco Premium 5000 [INT] | 92645 | Spare rotor AquaMax Eco Premium 9000 | 1 | | | |
| 75924 | AquaMax Eco Premium 9000 [INT] | | | | | | |
| 75925 | AquaMax Eco Premium 13000 [INT] | | | | | | |
| 75926 | AquaMax Eco Premium 17000 [INT] | | | | | | |
| 75927 | AquaMax Eco Premium 21000 [INT] | | | | 92646 | Spare rotor AquaMax Eco Premium 13000 | 1 |
| 75928 | AquaMax Eco Premium 5000 [GB] | | | | | | |
| 75929 | AquaMax Eco Premium 9000 [GB] | | | | | | |
| 75932 | AquaMax Eco Premium 13000 [GB] | | | | | | |
| 75933 | AquaMax Eco Premium 17000 [GB] | 92647 | Spare rotor AquaMax Eco Premium 17000 | 1 | | | |
| 75934 | AquaMax Eco Premium 21000 [GB] | | | | | | |
| 85487 | AquaMax Eco Premium 7000 [INT] | | | | | | |
| 85488 | AquaMax Eco Premium 7000 [GB] | | | | | | |
| 75923 | AquaMax Eco Premium 5000 [INT] | | | | 92648 | Spare rotor AquaMax Eco Premium 21000 | 1 |
| 75924 | AquaMax Eco Premium 9000 [INT] | | | | | | |
| 75925 | AquaMax Eco Premium 13000 [INT] | | | | | | |
| 75926 | AquaMax Eco Premium 17000 [INT] | | | | | | |
| 75927 | AquaMax Eco Premium 21000 [INT] | 92644 | Spare rotor AquaMax Eco Premium 5/7000 | 1 | | | |
| 75928 | AquaMax Eco Premium 5000 [GB] | | | | | | |
| 75929 | AquaMax Eco Premium 9000 [GB] | | | | | | |
| 75932 | AquaMax Eco Premium 13000 [GB] | | | | | | |
| 75933 | AquaMax Eco Premium 17000 [GB] | | | | 92645 | Spare rotor AquaMax Eco Premium 9000 | 1 |
| 75934 | AquaMax Eco Premium 21000 [GB] | | | | | | |
| 85487 | AquaMax Eco Premium 7000 [INT] | | | | | | |
| 85488 | AquaMax Eco Premium 7000 [GB] | | | | | | |
| 75923 | AquaMax Eco Premium 5000 [INT] | 92646 | Spare rotor AquaMax Eco Premium 13000 | 1 | | | |
| 75924 | AquaMax Eco Premium 9000 [INT] | | | | | | |
| 75925 | AquaMax Eco Premium 13000 [INT] | | | | | | |
| 75926 | AquaMax Eco Premium 17000 [INT] | | | | | | |
| 75927 | AquaMax Eco Premium 21000 [INT] | | | | 92647 | Spare rotor AquaMax Eco Premium 17000 | 1 |
| 75928 | AquaMax Eco Premium 5000 [GB] | | | | | | |
| 75929 | AquaMax Eco Premium 9000 [GB] | | | | | | |
| 75932 | AquaMax Eco Premium 13000 [GB] | | | | | | |
| 75933 | AquaMax Eco Premium 17000 [GB] | 92648 | Spare rotor AquaMax Eco Premium 21000 | 1 | | | |
| 75934 | AquaMax Eco Premium 21000 [GB] | | | | | | |
| 85487 | AquaMax Eco Premium 7000 [INT] | | | | | | |
| 85488 | AquaMax Eco Premium 7000 [GB] | | | | | | |
| 75923 | AquaMax Eco Premium 5000 [INT] | | | | 92644 | Spare rotor AquaMax Eco Premium 5/7000 | 1 |
| 75924 | AquaMax Eco Premium 9000 [INT] | | | | | | |
| 75925 | AquaMax Eco Premium 13000 [INT] | | | | | | |
| 75926 | AquaMax Eco Premium 17000 [INT] | | | | | | |
| 75927 | AquaMax Eco Premium 21000 [INT] | | | | | | |

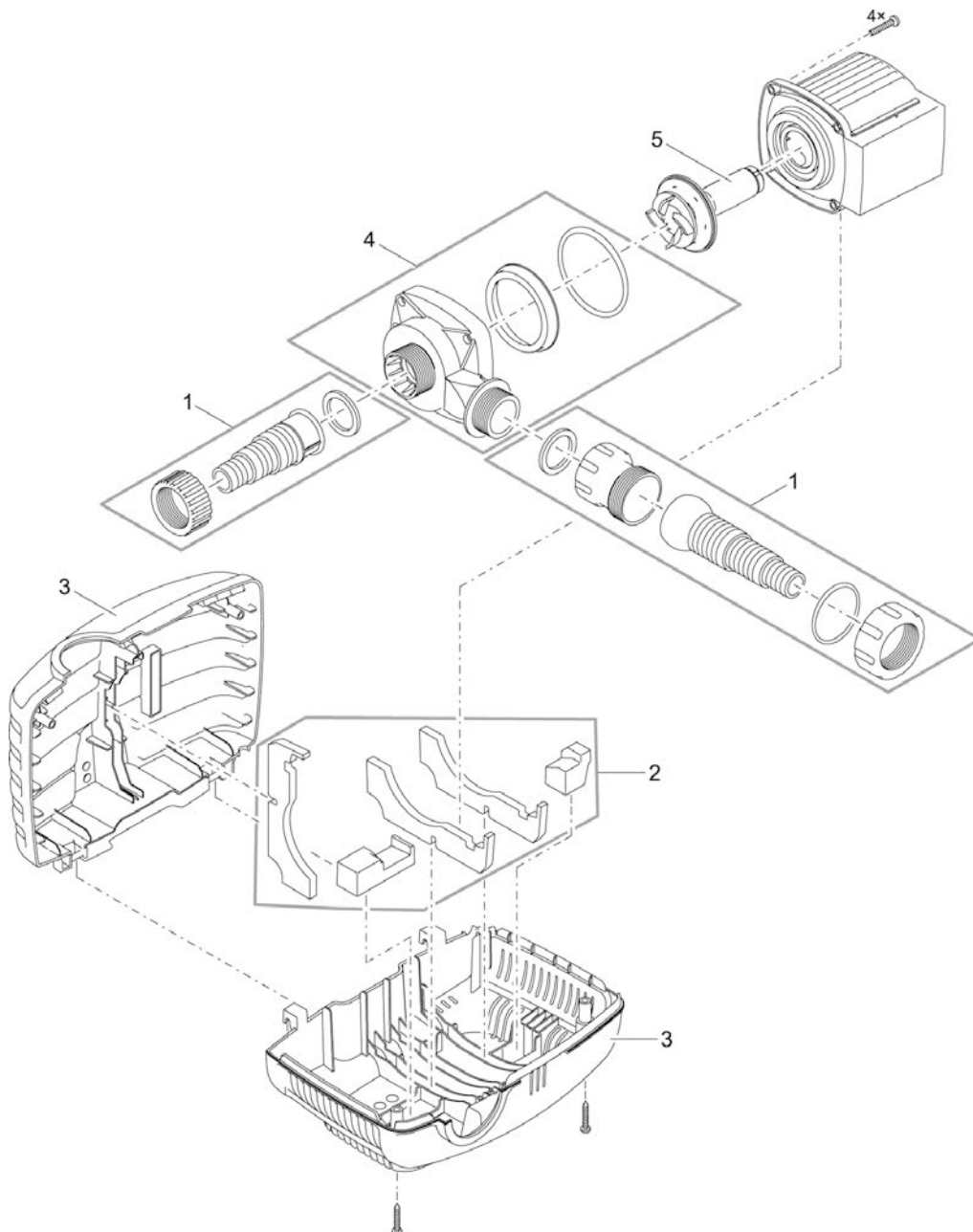
| Pos. | Item no. Product | Product | Item no. Spare part | Spare part | Number |
|------|---------------------|---------------------------------|------------------------|--|--------|
| 14 | 75923 | AquaMax Eco Premium 5000 [INT] | 92649 | Spare pump housing AquaMax Eco Pre. 5000 | 1 |
| | 75924 | AquaMax Eco Premium 9000 [INT] | 92651 | Spare pump housing AquaMax Eco Pre. 9000 | 1 |
| | 75925 | AquaMax Eco Premium 13000 [INT] | 92652 | Spare pump housing AquaMax Eco Pre.13000 | 1 |
| | 75926 | AquaMax Eco Premium 17000 [INT] | 92653 | Spare pump housing AquaMax Eco Pre.17000 | 1 |
| | 75927 | AquaMax Eco Premium 21000 [INT] | 92654 | Spare pump housing AquaMax Eco Pre.21000 | 1 |
| | 75928 | AquaMax Eco Premium 5000 [GB] | 92649 | Spare pump housing AquaMax Eco Pre. 5000 | 1 |
| | 75929 | AquaMax Eco Premium 9000 [GB] | 92651 | Spare pump housing AquaMax Eco Pre. 9000 | 1 |
| | 75932 | AquaMax Eco Premium 13000 [GB] | 92652 | Spare pump housing AquaMax Eco Pre.13000 | 1 |
| | 75933 | AquaMax Eco Premium 17000 [GB] | 92653 | Spare pump housing AquaMax Eco Pre.17000 | 1 |
| | 75934 | AquaMax Eco Premium 21000 [GB] | 92654 | Spare pump housing AquaMax Eco Pre.21000 | 1 |
| | 85487 | AquaMax Eco Premium 7000 [INT] | 92650 | Spare pump housing AquaMax Eco Pre. 7000 | 1 |
| | 85488 | AquaMax Eco Premium 7000 [GB] | | | |

| Item no. | Product |
|----------|--------------------------------|
| 73336 | AquaMax Eco Classic 9000 C |
| 73337 | AquaMax Eco Classic 12000 C |
| 73338 | AquaMax Eco Classic 18000 C |
| 73339 | GB AquaMax Eco Classic 9000 C |
| 73340 | GB AquaMax Eco Classic 12000 C |
| 73341 | GB AquaMax Eco Classic 18000 C |



| Pos. | Item no. Product | Product | Item no. Spare part | Spare part | Number | | | |
|------|---------------------|-----------------------------------|------------------------|--|--------|-------|--------------------------------------|---|
| 1 | 73336 | AquaMax Eco Classic 9000 C [INT] | 21904 | Connection kit AquaMax Eco Cl.3500-17500 | 1 | | | |
| | 73337 | AquaMax Eco Classic 12000 C [INT] | | | | | | |
| | 73338 | AquaMax Eco Classic 18000 C [INT] | | | | | | |
| | 73339 | AquaMax Eco Classic 9000 C [GB] | | | | | | |
| | 73340 | AquaMax Eco Classic 12000 C [GB] | | | | | | |
| | 73341 | AquaMax Eco Classic 18000 C [GB] | | | | | | |
| 2 | 73336 | AquaMax Eco Classic 9000 C [INT] | 77576 | Rubber buffer AquaMax Eco Classic 9000 C | 1 | | | |
| | 73337 | AquaMax Eco Classic 12000 C [INT] | 21907 | Rubber buffer AquaMax Eco Cl.11500/14500 | 1 | | | |
| | 73338 | AquaMax Eco Classic 18000 C [INT] | | | | | | |
| | 73339 | AquaMax Eco Classic 9000 C [GB] | 77576 | Rubber buffer AquaMax Eco Classic 9000 C | 1 | | | |
| | 73340 | AquaMax Eco Classic 12000 C [GB] | 21907 | Rubber buffer AquaMax Eco Cl.11500/14500 | 1 | | | |
| | 73341 | AquaMax Eco Classic 18000 C [GB] | | | | | | |
| 3 | 73336 | AquaMax Eco Classic 9000 C [INT] | 21902 | Filter housing AquaMax Eco Cl.3500-14500 | 1 | | | |
| | 73337 | AquaMax Eco Classic 12000 C [INT] | | | | | | |
| | 73338 | AquaMax Eco Classic 18000 C [INT] | | | | | | |
| | 73339 | AquaMax Eco Classic 9000 C [GB] | | | | | | |
| | 73340 | AquaMax Eco Classic 12000 C [GB] | | | | | | |
| | 73341 | AquaMax Eco Classic 18000 C [GB] | | | | | | |
| 4 | 73336 | AquaMax Eco Classic 9000 C [INT] | 21910 | Pump housing AquaMax Eco Classic 8500 | 1 | | | |
| | 73337 | AquaMax Eco Classic 12000 C [INT] | 21914 | Pump housing AquaMax Eco Cl. 11500/14500 | 1 | | | |
| | 73338 | AquaMax Eco Classic 18000 C [INT] | 31141 | Pump housing AquaMax Eco Classic 17500 | 1 | | | |
| | 73339 | AquaMax Eco Classic 9000 C [GB] | 21910 | Pump housing AquaMax Eco Classic 8500 | 1 | | | |
| | 73340 | AquaMax Eco Classic 12000 C [GB] | 21914 | Pump housing AquaMax Eco Cl. 11500/14500 | 1 | | | |
| | 73341 | AquaMax Eco Classic 18000 C [GB] | 31141 | Pump housing AquaMax Eco Classic 17500 | 1 | | | |
| 5 | 73336 | AquaMax Eco Classic 9000 C [INT] | 21898 | Spare rotor AquaMax Eco Classic 8500 | 1 | | | |
| | 73337 | AquaMax Eco Classic 12000 C [INT] | 21900 | Spare rotor AquaMax Eco Classic 11500 | 1 | | | |
| | 73338 | AquaMax Eco Classic 18000 C [INT] | 31142 | Spare rotor AquaMax Eco Classic 17500 | 1 | | | |
| | 73339 | AquaMax Eco Classic 9000 C [GB] | 21898 | Spare rotor AquaMax Eco Classic 8500 | 1 | | | |
| | 73340 | AquaMax Eco Classic 12000 C [GB] | 21900 | Spare rotor AquaMax Eco Classic 11500 | 1 | | | |
| | 73341 | AquaMax Eco Classic 18000 C [GB] | 31142 | Spare rotor AquaMax Eco Classic 17500 | 1 | | | |
| 6 | 73336 | AquaMax Eco Classic 9000 C [INT] | 76357 | Controller AquaMax Eco Classic packaged | 1 | | | |
| | 73337 | AquaMax Eco Classic 12000 C [INT] | | | | | | |
| | 73338 | AquaMax Eco Classic 18000 C [INT] | | | | | | |
| | 73339 | AquaMax Eco Classic 9000 C [GB] | | | | | | |
| | 73340 | AquaMax Eco Classic 12000 C [GB] | | | | 76358 | Controller AquaMax Eco Classic pack. | 1 |
| | 73341 | AquaMax Eco Classic 18000 C [GB] | | | | | | |

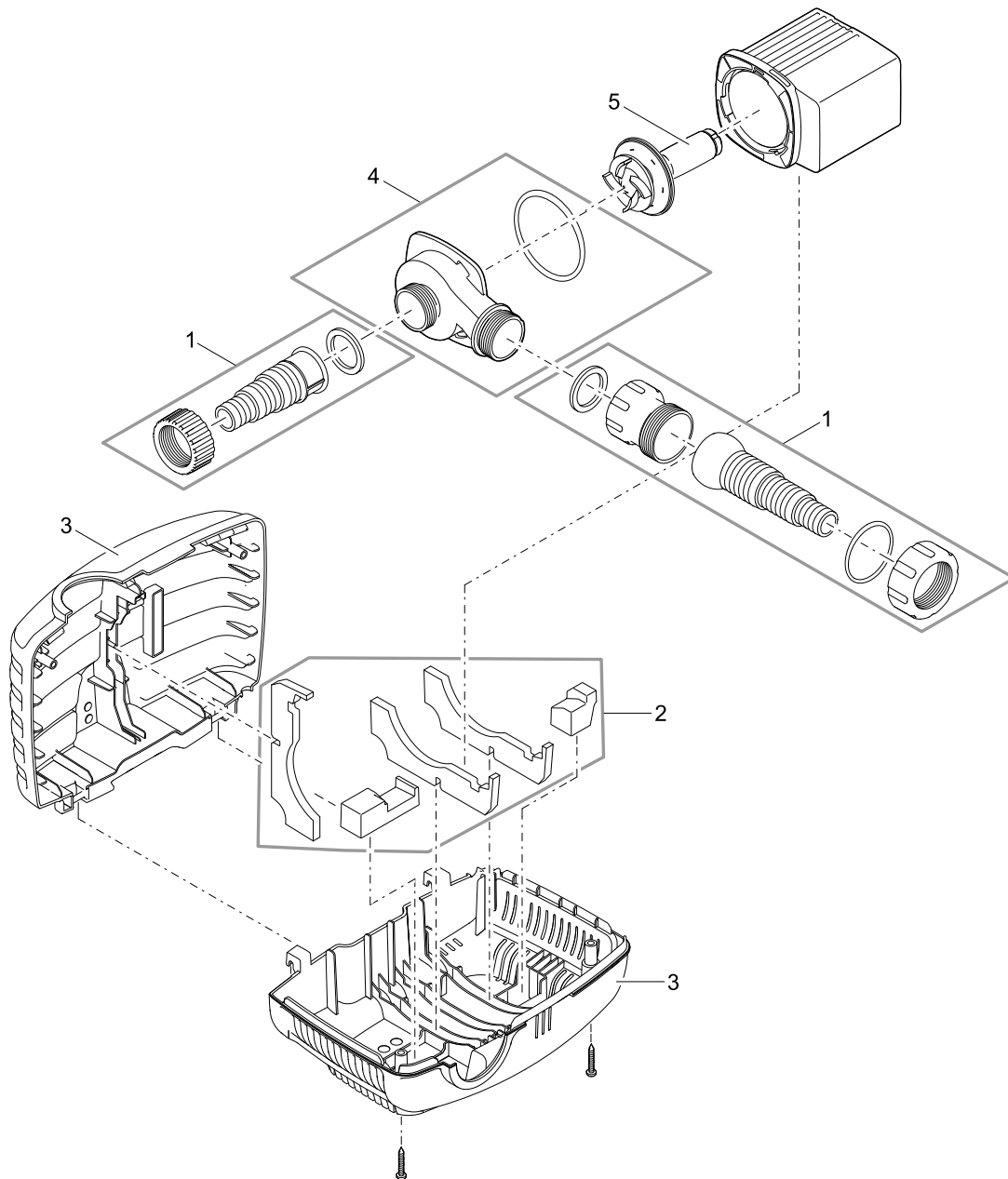
| Item no. | Product |
|----------|------------------------------|
| 51092 | AquaMax Eco Classic 3500 |
| 51096 | AquaMax Eco Classic 5500 |
| 51099 | AquaMax Eco Classic 8500 |
| 51102 | AquaMax Eco Classic 11500 |
| 51104 | AquaMax Eco Classic 14500 |
| 56653 | AquaMax Eco Classic 17500 |
| 51094 | GB AquaMax Eco Classic 3500 |
| 51098 | GB AquaMax Eco Classic 5500 |
| 51100 | GB AquaMax Eco Classic 8500 |
| 51103 | GB AquaMax Eco Classic 11500 |
| 51109 | GB AquaMax Eco Classic 14500 |
| 56710 | GB AquaMax Eco Classic 17500 |



| Pos. | Item no. Product | Product | Item no. Spare part | Spare part | Number | | | | |
|------|---------------------|---------------------------------|---------------------------------|--|--|---------------------------------|-------|--|---|
| 1 | 51092 | AquaMax Eco Classic 3500 [INT] | 21904 | Connection kit AquaMax Eco Cl.3500-17500 | 1 | | | | |
| | 51094 | AquaMax Eco Classic 3500 [GB] | | | | | | | |
| | 51096 | AquaMax Eco Classic 5500 [INT] | | | | | | | |
| | 51098 | AquaMax Eco Classic 5500 [GB] | | | | | | | |
| | 51099 | AquaMax Eco Classic 8500 [INT] | | | | | | | |
| | 51100 | AquaMax Eco Classic 8500 [GB] | | | | | | | |
| | 51102 | AquaMax Eco Classic 11500 [INT] | | | | | | | |
| | 51103 | AquaMax Eco Classic 11500 [GB] | | | | | | | |
| | 51104 | AquaMax Eco Classic 14500 [INT] | | | | | | | |
| | 51109 | AquaMax Eco Classic 14500 [GB] | | | | | | | |
| | 56653 | AquaMax Eco Classic 17500 [INT] | | | | | | | |
| | 56710 | AquaMax Eco Classic 17500 [GB] | | | | | | | |
| 2 | 51092 | AquaMax Eco Classic 3500 [INT] | 21905 | Rubber buffer AquaMax Eco Cl. 3500/5500 | 1 | | | | |
| | 51094 | AquaMax Eco Classic 3500 [GB] | | | | | | | |
| | 51096 | AquaMax Eco Classic 5500 [INT] | | | | | | | |
| | 51098 | AquaMax Eco Classic 5500 [GB] | | | | | | | |
| | 51099 | AquaMax Eco Classic 8500 [INT] | | | | | | | |
| | 51100 | AquaMax Eco Classic 8500 [GB] | | | | | | | |
| | 2 | 51102 | AquaMax Eco Classic 11500 [INT] | 21906 | Rubber buffer set AquaMax Eco Cl. 8500 | 1 | | | |
| | | 51103 | AquaMax Eco Classic 11500 [GB] | | | | | | |
| | | 51104 | AquaMax Eco Classic 14500 [INT] | | | | | | |
| | | 51109 | AquaMax Eco Classic 14500 [GB] | | | | | | |
| | | 56653 | AquaMax Eco Classic 17500 [INT] | | | | | | |
| | | 56710 | AquaMax Eco Classic 17500 [GB] | | | | | | |
| 3 | 51092 | AquaMax Eco Classic 3500 [INT] | 21907 | Rubber buffer AquaMax Eco Cl.11500/14500 | 1 | | | | |
| | 51094 | AquaMax Eco Classic 3500 [GB] | | | | | | | |
| | 51096 | AquaMax Eco Classic 5500 [INT] | | | | | | | |
| | 51098 | AquaMax Eco Classic 5500 [GB] | | | | | | | |
| | 51099 | AquaMax Eco Classic 8500 [INT] | | | | | | | |
| | 51100 | AquaMax Eco Classic 8500 [GB] | | | | | | | |
| | 3 | 51102 | | | | AquaMax Eco Classic 11500 [INT] | 21902 | Filter housing AquaMax Eco Cl.3500-14500 | 1 |
| | | 51103 | | | | AquaMax Eco Classic 11500 [GB] | | | |
| | | 51104 | | | | AquaMax Eco Classic 14500 [INT] | | | |
| | | 51109 | | | | AquaMax Eco Classic 14500 [GB] | | | |
| | | 56653 | | | | AquaMax Eco Classic 17500 [INT] | | | |
| | | 56710 | | | | AquaMax Eco Classic 17500 [GB] | | | |

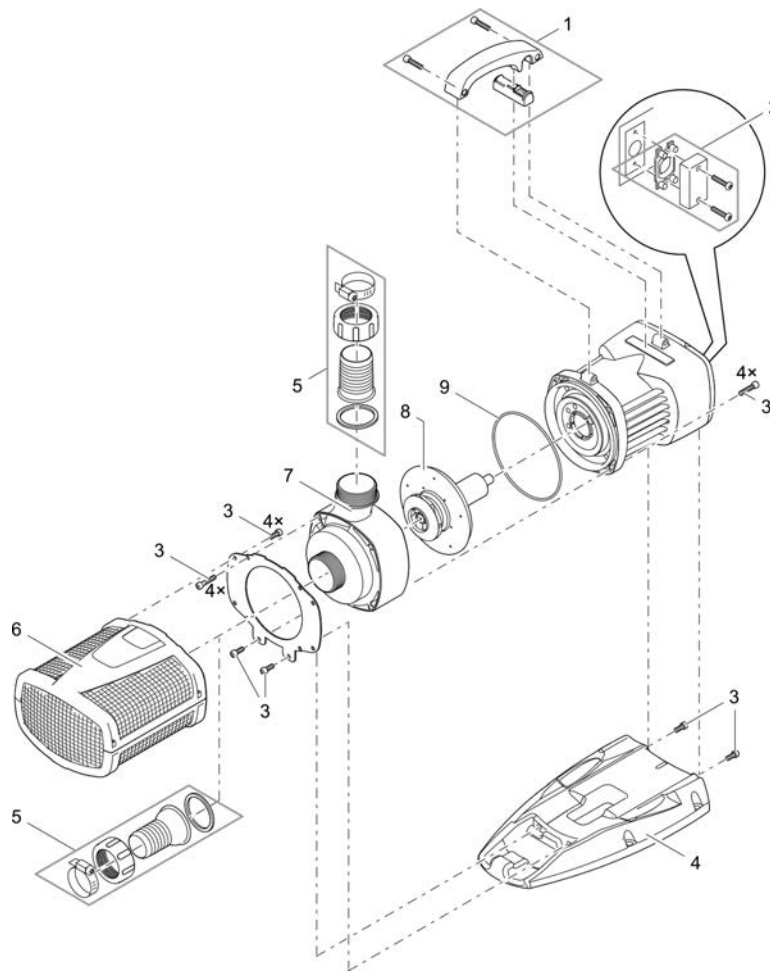
| Pos. | Item no. Product | Product | Item no. Spare part | Spare part | Number |
|-------|---------------------------------|---------------------------------|---------------------------------------|--|--------|
| 4 | 51092 | AquaMax Eco Classic 3500 [INT] | 21909 | Pump housing AquaMax Eco Cl. 3500/5500 | 1 |
| | 51094 | AquaMax Eco Classic 3500 [GB] | | | |
| | 51096 | AquaMax Eco Classic 5500 [INT] | 21910 | Pump housing AquaMax Eco Classic 8500 | 1 |
| | 51098 | AquaMax Eco Classic 5500 [GB] | | | |
| | 51099 | AquaMax Eco Classic 8500 [INT] | 21914 | Pump housing AquaMax Eco Cl. 11500/14500 | 1 |
| | 51100 | AquaMax Eco Classic 8500 [GB] | | | |
| | 51102 | AquaMax Eco Classic 11500 [INT] | 31141 | Pump housing AquaMax Eco Classic 17500 | 1 |
| | 51103 | AquaMax Eco Classic 11500 [GB] | | | |
| | 51104 | AquaMax Eco Classic 14500 [INT] | 31142 | Spare rotor AquaMax Eco Classic 17500 | 1 |
| | 51109 | AquaMax Eco Classic 14500 [GB] | | | |
| 5 | 56653 | AquaMax Eco Classic 17500 [INT] | 21912 | Spare rotor AquaMax Eco Classic 3500 | 1 |
| | 56710 | AquaMax Eco Classic 17500 [GB] | | | |
| | 51092 | AquaMax Eco Classic 3500 [INT] | 21913 | Spare rotor AquaMax Eco Classic 5500 | 1 |
| | 51094 | AquaMax Eco Classic 3500 [GB] | | | |
| | 51096 | AquaMax Eco Classic 5500 [INT] | 21898 | Spare rotor AquaMax Eco Classic 8500 | 1 |
| | 51098 | AquaMax Eco Classic 5500 [GB] | | | |
| | 51099 | AquaMax Eco Classic 8500 [INT] | 21900 | Spare rotor AquaMax Eco Classic 11500 | 1 |
| | 51100 | AquaMax Eco Classic 8500 [GB] | | | |
| | 51102 | AquaMax Eco Classic 11500 [INT] | 21899 | Spare rotor AquaMax Eco Classic 14500 | 1 |
| | 51103 | AquaMax Eco Classic 11500 [GB] | | | |
| 51104 | AquaMax Eco Classic 14500 [INT] | 31142 | Spare rotor AquaMax Eco Classic 17500 | 1 | |
| 51109 | AquaMax Eco Classic 14500 [GB] | | | | |
| 56653 | AquaMax Eco Classic 17500 [INT] | 31142 | Spare rotor AquaMax Eco Classic 17500 | 1 | |
| 56710 | AquaMax Eco Classic 17500 [GB] | | | | |

| Item no. | Product |
|----------|-------------------------------|
| 20225 | AquaMax Eco Classic 2500 E |
| 20249 | AquaMax Eco Classic 3500 E |
| 20241 | GB AquaMax Eco Classic 2500 E |
| 20264 | GB AquaMax Eco Classic 3500 E |



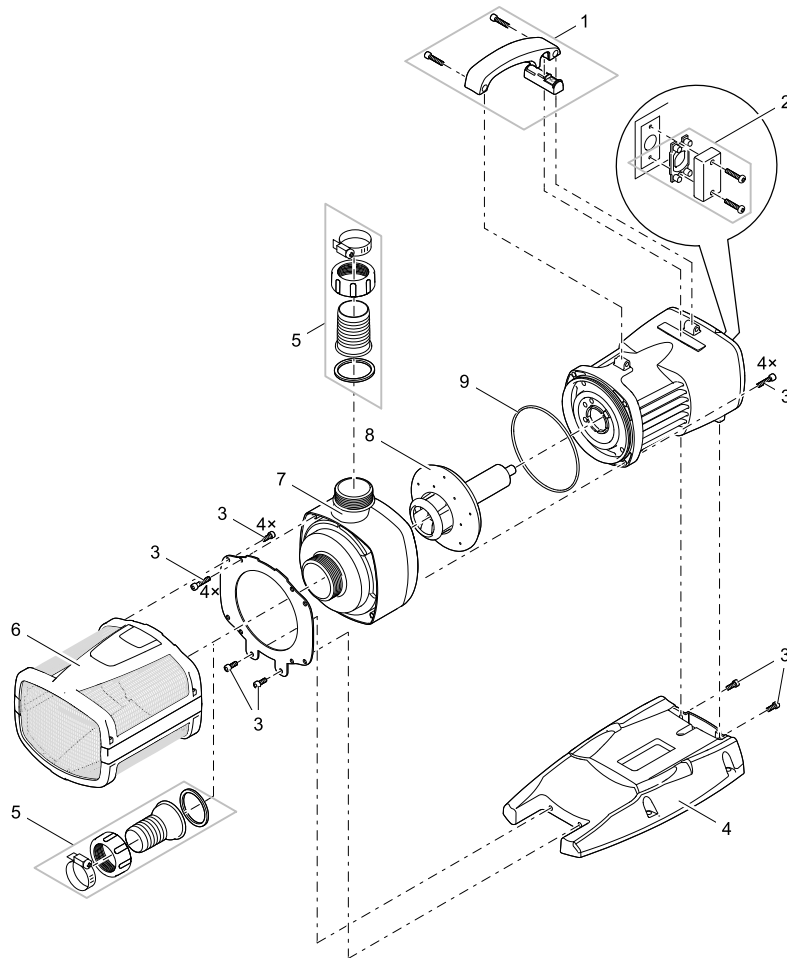
| Pos. | Item no. Product | Product | Item no. Spare part | Spare part | Number |
|------|---------------------|----------------------------------|------------------------|--|--------|
| 1 | 20225 | AquaMax Eco Classic 2500 E [INT] | 21904 | Connection kit AquaMax Eco Cl.3500-17500 | 1 |
| | 20241 | AquaMax Eco Classic 2500 E [GB] | | | |
| | 20249 | AquaMax Eco Classic 3500 E [INT] | | | |
| | 20264 | AquaMax Eco Classic 3500 E [GB] | | | |
| 2 | 20225 | AquaMax Eco Classic 2500 E [INT] | 71801 | Rubber buffer AquaMax Eco Cl. 2500/3500 | 1 |
| | 20241 | AquaMax Eco Classic 2500 E [GB] | | | |
| | 20249 | AquaMax Eco Classic 3500 E [INT] | | | |
| | 20264 | AquaMax Eco Classic 3500 E [GB] | | | |
| 3 | 20225 | AquaMax Eco Classic 2500 E [INT] | 21902 | Filter housing AquaMax Eco Cl.3500-14500 | 1 |
| | 20241 | AquaMax Eco Classic 2500 E [GB] | | | |
| | 20249 | AquaMax Eco Classic 3500 E [INT] | | | |
| | 20264 | AquaMax Eco Classic 3500 E [GB] | | | |
| 4 | 20225 | AquaMax Eco Classic 2500 E [INT] | 71810 | Spare pump housing Max 3500 2019 | 1 |
| | 20241 | AquaMax Eco Classic 2500 E [GB] | | | |
| | 20249 | AquaMax Eco Classic 3500 E [INT] | | | |
| | 20264 | AquaMax Eco Classic 3500 E [GB] | | | |
| 5 | 20225 | AquaMax Eco Classic 2500 E [INT] | 71797 | Spare rotor AquaMax Eco Classic 2500 E | 1 |
| | 20241 | AquaMax Eco Classic 2500 E [GB] | | | |
| | 20249 | AquaMax Eco Classic 3500 E [INT] | 71798 | Spare rotor Max 3500 E 2019 | 1 |
| | 20264 | AquaMax Eco Classic 3500 E [GB] | | | |

| Item no. | Product |
|----------|---------------------------|
| 42404 | Aquarius Eco Expert 28000 |
| 42405 | Aquarius Eco Expert 22000 |



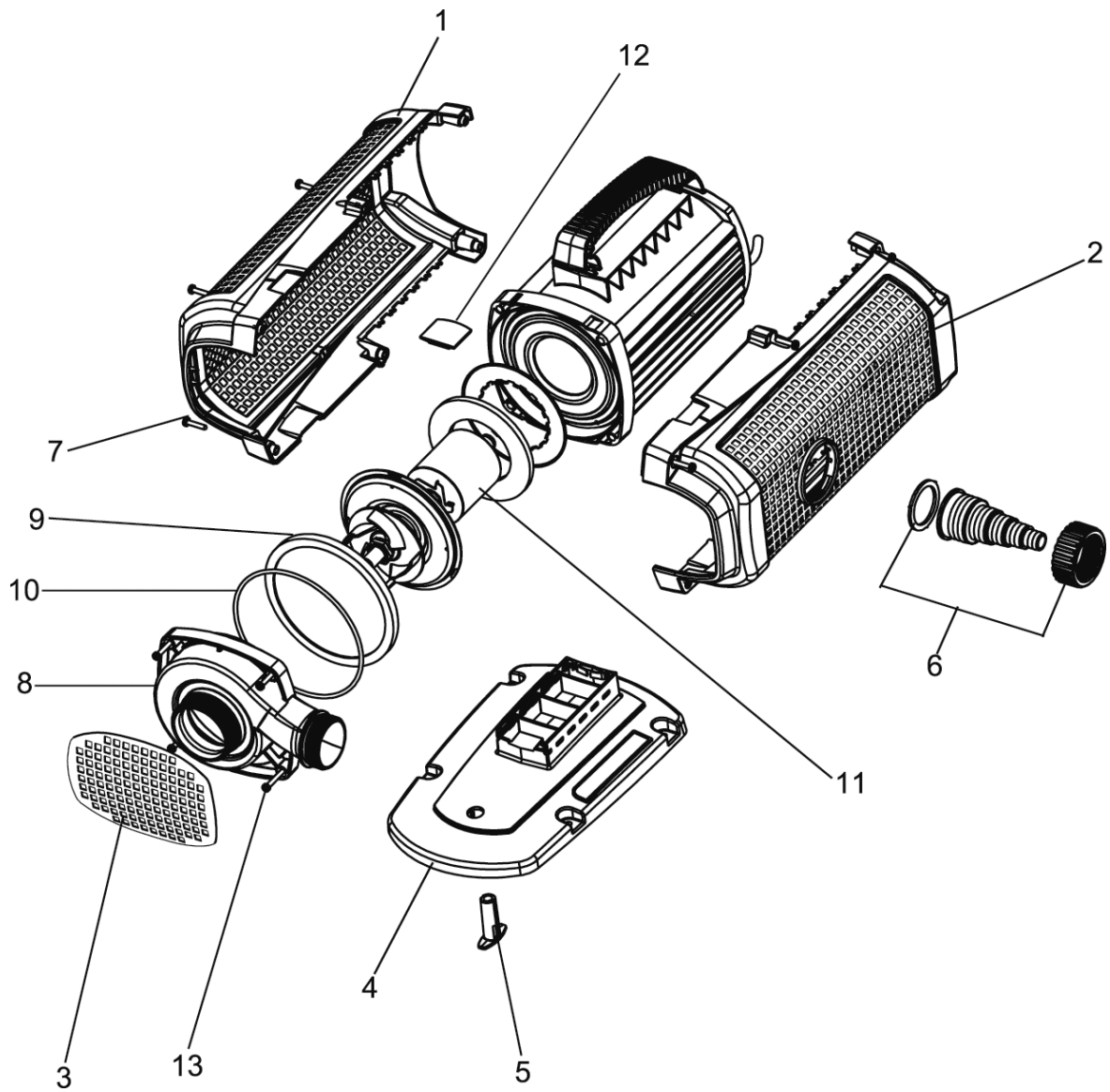
| Pos. | Item no. Product | Product | Item no. Spare part | Spare part | Number |
|------|------------------|---------------------------------|---------------------|---|--------|
| 1 | 42404 | Aquarius Eco Expert 28000 [INT] | 40510 | Spare handle with switch set | 1 |
| | 42405 | Aquarius Eco Expert 22000 [INT] | | | |
| 2 | 42404 | Aquarius Eco Expert 28000 [INT] | 40509 | ASM gland seal with gasket set | 1 |
| | 42405 | Aquarius Eco Expert 22000 [INT] | | | |
| 3 | 42404 | Aquarius Eco Expert 28000 [INT] | 40511 | Spare screws set | 1 |
| | 42405 | Aquarius Eco Expert 22000 [INT] | | | |
| 4 | 42404 | Aquarius Eco Expert 28000 [INT] | 70464 | ASM base EC2 Maxi | 1 |
| | 42405 | Aquarius Eco Expert 22000 [INT] | | | |
| 5 | 42404 | Aquarius Eco Expert 28000 [INT] | 35359 | Connection kit Aquamax Expert | 1 |
| | 42405 | Aquarius Eco Expert 22000 [INT] | | | |
| 6 | 42404 | Aquarius Eco Expert 28000 [INT] | 42411 | ASM filter housing Aquarius Uni. Eco | 1 |
| | 42405 | Aquarius Eco Expert 22000 [INT] | | | |
| 7 | 42404 | Aquarius Eco Expert 28000 [INT] | 42410 | ASM pump housing Aquarius Universal Eco | 1 |
| | 42405 | Aquarius Eco Expert 22000 [INT] | | | |
| 8 | 42404 | Aquarius Eco Expert 28000 [INT] | 48671 | Spare rotor Aquarius Eco Expert 28000 | 1 |
| | 42405 | Aquarius Eco Expert 22000 [INT] | 48672 | Spare rotor Aquarius Eco Expert 22000 | 1 |
| 9 | 42404 | Aquarius Eco Expert 28000 [INT] | 32972 | O-Ring NBR 127 x 4.0 SH70 | 1 |
| | 42405 | Aquarius Eco Expert 22000 [INT] | | | |

| Item no. | Product |
|----------|---------------------------|
| 54612 | Aquarius Eco Expert 36000 |
| 54613 | Aquarius Eco Expert 44000 |



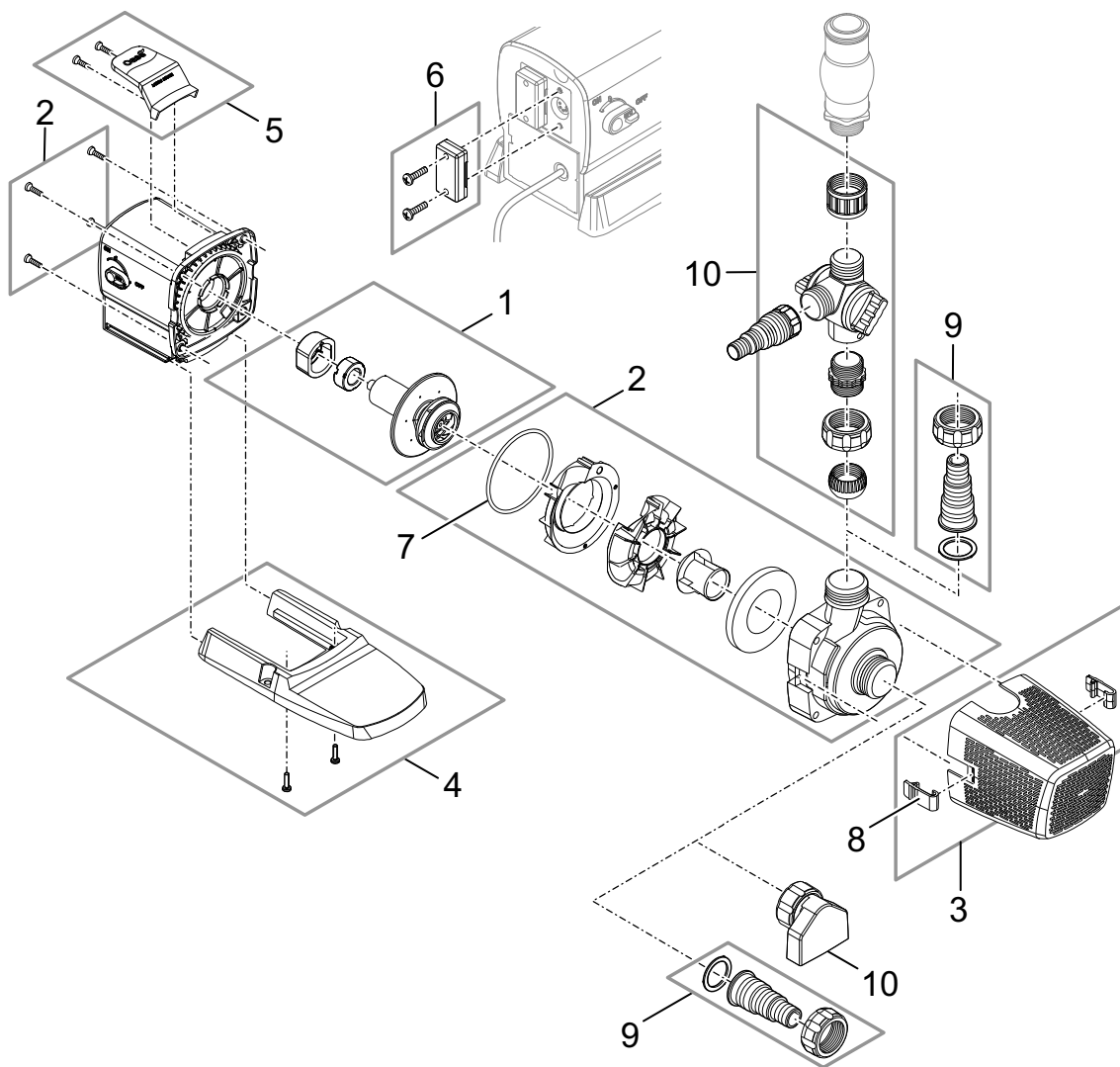
| Pos. | Item no. Product | Product | Item no. Spare part | Spare part | Number |
|------|------------------|---------------------------------|---------------------|--|--------|
| 1 | 54612 | Aquarius Eco Expert 36000 [INT] | 40510 | Spare handle with switch set | 1 |
| | 54613 | Aquarius Eco Expert 44000 [INT] | | | |
| 2 | 54612 | Aquarius Eco Expert 36000 [INT] | 40509 | ASM gland seal with gasket set | 1 |
| | 54613 | Aquarius Eco Expert 44000 [INT] | | | |
| 3 | 54612 | Aquarius Eco Expert 36000 [INT] | 40511 | Spare screws set | 1 |
| | 54613 | Aquarius Eco Expert 44000 [INT] | | | |
| 4 | 54612 | Aquarius Eco Expert 36000 [INT] | 49998 | Base EC2 Maxi XL | 1 |
| | 54613 | Aquarius Eco Expert 44000 [INT] | | | |
| 5 | 54612 | Aquarius Eco Expert 36000 [INT] | 35359 | Connection kit Aquamax Expert | 1 |
| | 54613 | Aquarius Eco Expert 44000 [INT] | | | |
| 6 | 54612 | Aquarius Eco Expert 36000 [INT] | 50109 | ASM filter housing Aquarius Expert 44000 | 1 |
| | 54613 | Aquarius Eco Expert 44000 [INT] | | | |
| 7 | 54612 | Aquarius Eco Expert 36000 [INT] | 49996 | ASM pump housing Aquarius/AquaMax 36000 | 1 |
| | 54613 | Aquarius Eco Expert 44000 [INT] | | | |
| 8 | 54612 | Aquarius Eco Expert 36000 [INT] | 36086 | Spare rotor Aquarius Eco Expert 36/44000 | 1 |
| | 54613 | Aquarius Eco Expert 44000 [INT] | | | |
| 9 | 54612 | Aquarius Eco Expert 36000 [INT] | 32972 | O-Ring NBR 127 x 4.0 SH70 | 1 |
| | 54613 | Aquarius Eco Expert 44000 [INT] | | | |

| Item no. | Product |
|----------|----------------------|
| 56873 | AquaMax Expert 20000 |
| 56874 | AquaMax Expert 30000 |
| 56875 | AquaMax Expert 40000 |



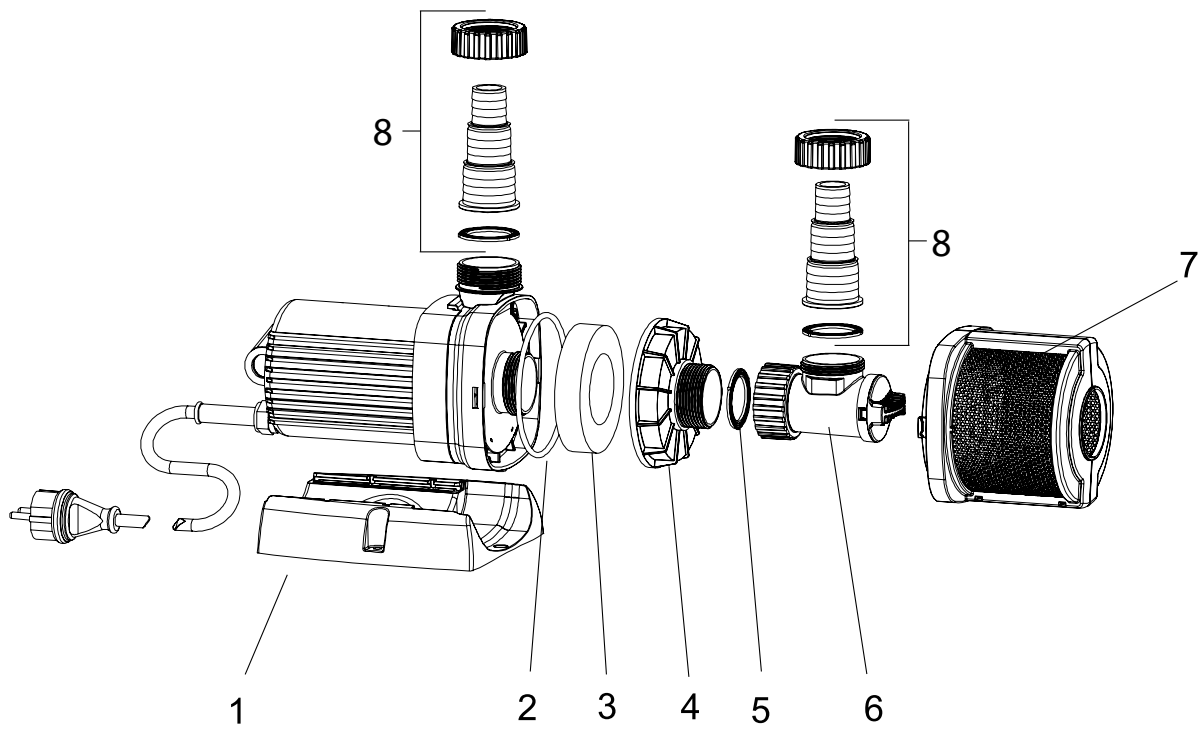
| Pos. | Item no. Product | Product | Item no. Spare part | Spare part | Number |
|------|---------------------|----------------------------|------------------------|--|--------|
| 1 | 56873 | AquaMax Expert 20000 [INT] | 26870 | Filter flank 107 FBP right | 1 |
| | 56874 | AquaMax Expert 30000 [INT] | | | |
| | 56875 | AquaMax Expert 40000 [INT] | | | |
| 2 | 56873 | AquaMax Expert 20000 [INT] | 26698 | Filter flank 107 FBP left | 1 |
| | 56874 | AquaMax Expert 30000 [INT] | | | |
| | 56875 | AquaMax Expert 40000 [INT] | | | |
| 3 | 56873 | AquaMax Expert 20000 [INT] | 26734 | Front plate 107 FBP | 1 |
| | 56874 | AquaMax Expert 30000 [INT] | | | |
| | 56875 | AquaMax Expert 40000 [INT] | | | |
| 4 | 56873 | AquaMax Expert 20000 [INT] | 26703 | Pump base Profiline | 1 |
| | 56874 | AquaMax Expert 30000 [INT] | | | |
| | 56875 | AquaMax Expert 40000 [INT] | | | |
| 5 | 56875 | AquaMax Expert 40000 [INT] | 27179 | Stabiliser Profiline | 1 |
| | 56873 | AquaMax Expert 20000 [INT] | | | |
| | 56874 | AquaMax Expert 30000 [INT] | | | |
| 6 | 56875 | AquaMax Expert 40000 [INT] | 35359 | Connection kit Aquamax Expert | 1 |
| | 56873 | AquaMax Expert 20000 [INT] | | | |
| | 56874 | AquaMax Expert 30000 [INT] | | | |
| 7 | 56874 | AquaMax Expert 30000 [INT] | 6055 | Oval head screw V2A DIN 7985 M5 x 20 H | 6 |
| | 56875 | AquaMax Expert 40000 [INT] | | | |
| | 56873 | AquaMax Expert 20000 [INT] | | | |
| 8 | 56874 | AquaMax Expert 30000 [INT] | 27477 | Pump housing 107 - 36 | 1 |
| | 56875 | AquaMax Expert 40000 [INT] | | | |
| | 56873 | AquaMax Expert 20000 [INT] | | | |
| 9 | 56874 | AquaMax Expert 30000 [INT] | 26692 | Centre ring 107 | 1 |
| | 56875 | AquaMax Expert 40000 [INT] | | | |
| | 56873 | AquaMax Expert 20000 [INT] | | | |
| 10 | 56874 | AquaMax Expert 30000 [INT] | 27289 | O-Ring NBR 130 x 4.3 SH70 | 1 |
| | 56875 | AquaMax Expert 40000 [INT] | | | |
| | 56873 | AquaMax Expert 20000 [INT] | | | |
| 11 | 56874 | AquaMax Expert 30000 [INT] | 20322 | O-Ring NBR 155 x 4.5 SH55 | 1 |
| | 56875 | AquaMax Expert 40000 [INT] | | | |
| | 56873 | AquaMax Expert 20000 [INT] | | | |
| 12 | 56874 | AquaMax Expert 30000 [INT] | 35365 | Impeller cpl. AquaMax Expert 20000 | 1 |
| | 56875 | AquaMax Expert 40000 [INT] | | | |
| | 56873 | AquaMax Expert 20000 [INT] | | | |
| 13 | 56874 | AquaMax Expert 30000 [INT] | 35366 | Impeller cpl. AquaMax Expert 30000 | 1 |
| | 56875 | AquaMax Expert 40000 [INT] | | | |
| | 56873 | AquaMax Expert 20000 [INT] | | | |
| 14 | 56874 | AquaMax Expert 30000 [INT] | 35367 | Impeller cpl. AquaMax Expert 40000 | 1 |
| | 56875 | AquaMax Expert 40000 [INT] | | | |
| | 56873 | AquaMax Expert 20000 [INT] | | | |
| 15 | 56874 | AquaMax Expert 30000 [INT] | 35361 | Spare emblem Profiline | 1 |
| | 56875 | AquaMax Expert 40000 [INT] | | | |
| | 56873 | AquaMax Expert 20000 [INT] | | | |
| 16 | 56874 | AquaMax Expert 30000 [INT] | 6061 | Oval head screw Phillips DIN 7985 6 x 25 | 1 |
| | 56875 | AquaMax Expert 40000 [INT] | | | |
| | 56873 | AquaMax Expert 20000 [INT] | | | |

| Item no. | Product |
|----------|----------------------------|
| 90286 | Aquarius Eco Premium 4500 |
| 90287 | Aquarius Eco Premium 6500 |
| 90289 | Aquarius Eco Premium 9500 |
| 90291 | Aquarius Eco Premium 13500 |
| 90292 | Aquarius Eco Premium 16500 |



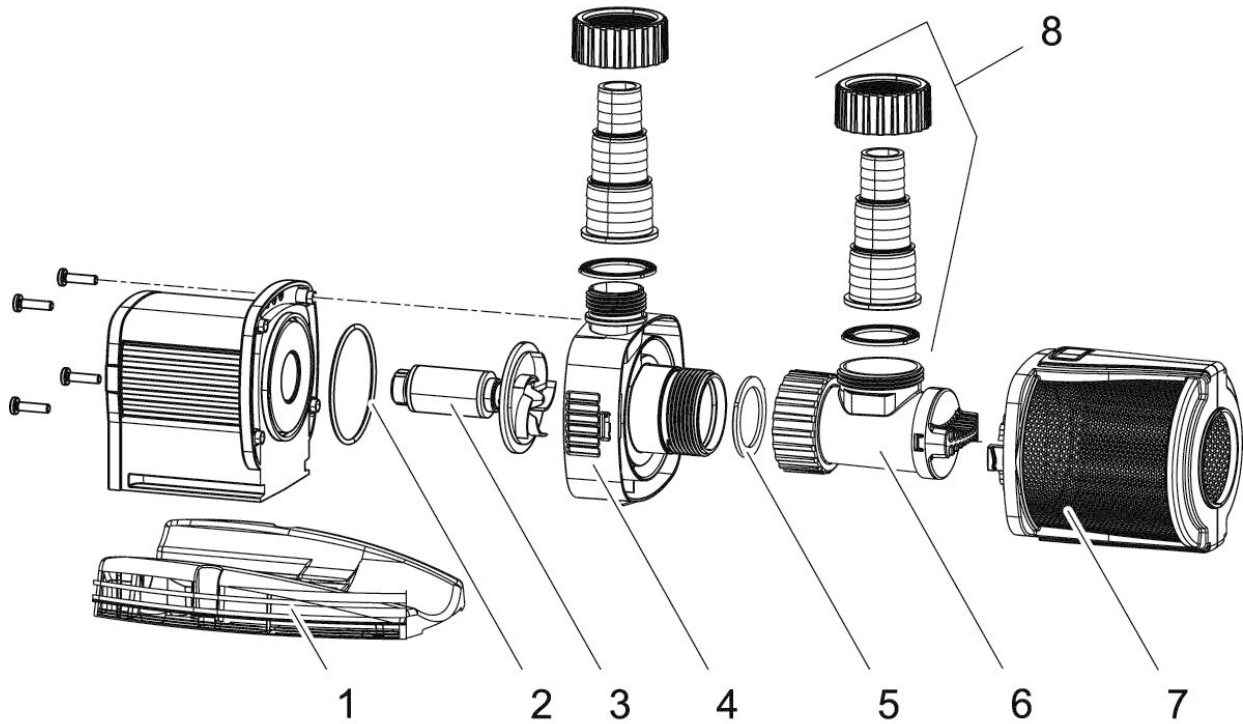
| Pos. | Item no. Product | Product | Item no. Spare part | Spare part | Number |
|------|---------------------|----------------------------------|------------------------|--|--------|
| 1 | 90286 | Aquarius Eco Premium 4500 [INT] | 97198 | Spare rotor Aquarius Eco Premium 6500 | 1 |
| | 90287 | Aquarius Eco Premium 6500 [INT] | | | |
| | 90289 | Aquarius Eco Premium 9500 [INT] | | | |
| | 90291 | Aquarius Eco Premium 13500 [INT] | | | |
| | 90292 | Aquarius Eco Premium 16500 [INT] | | | |
| 2 | 90286 | Aquarius Eco Premium 4500 [INT] | 97201 | Spare pump housing Aquarius Eco Pre.6500 | 1 |
| | 90287 | Aquarius Eco Premium 6500 [INT] | | | |
| | 90289 | Aquarius Eco Premium 9500 [INT] | | | |
| | 90291 | Aquarius Eco Premium 13500 [INT] | | | |
| | 90292 | Aquarius Eco Premium 16500 [INT] | | | |
| 3 | 90286 | Aquarius Eco Premium 4500 [INT] | 97202 | Spare pump housing Aquarius Eco Pre.9500 | 1 |
| | 90287 | Aquarius Eco Premium 6500 [INT] | | | |
| | 90289 | Aquarius Eco Premium 9500 [INT] | | | |
| | 90291 | Aquarius Eco Premium 13500 [INT] | | | |
| | 90292 | Aquarius Eco Premium 16500 [INT] | | | |
| 4 | 90286 | Aquarius Eco Premium 4500 [INT] | 97203 | Spare pump housing Aquarius EcoPre.13500 | 1 |
| | 90287 | Aquarius Eco Premium 6500 [INT] | | | |
| | 90289 | Aquarius Eco Premium 9500 [INT] | | | |
| | 90291 | Aquarius Eco Premium 13500 [INT] | | | |
| | 90292 | Aquarius Eco Premium 16500 [INT] | | | |
| 5 | 90286 | Aquarius Eco Premium 4500 [INT] | 97204 | Spare pump housing Aquarius EcoPre.16500 | 1 |
| | 90287 | Aquarius Eco Premium 6500 [INT] | | | |
| | 90289 | Aquarius Eco Premium 9500 [INT] | | | |
| | 90291 | Aquarius Eco Premium 13500 [INT] | | | |
| | 90292 | Aquarius Eco Premium 16500 [INT] | | | |
| 6 | 90286 | Aquarius Eco Premium 4500 [INT] | 97205 | Spare strainer Aquarius Eco Premium 6500 | 1 |
| | 90287 | Aquarius Eco Premium 6500 [INT] | | | |
| | 90289 | Aquarius Eco Premium 9500 [INT] | | | |
| | 90291 | Aquarius Eco Premium 13500 [INT] | | | |
| | 90292 | Aquarius Eco Premium 16500 [INT] | | | |
| 7 | 90286 | Aquarius Eco Premium 4500 [INT] | 97206 | Spare strainer Aquarius Eco Prem. 16500 | 1 |
| | 90287 | Aquarius Eco Premium 6500 [INT] | | | |
| | 90289 | Aquarius Eco Premium 9500 [INT] | | | |
| | 90291 | Aquarius Eco Premium 13500 [INT] | | | |
| | 90292 | Aquarius Eco Premium 16500 [INT] | | | |
| 8 | 90286 | Aquarius Eco Premium 4500 [INT] | 97207 | Spare base Aquarius Eco Premium 6500 | 1 |
| | 90287 | Aquarius Eco Premium 6500 [INT] | | | |
| | 90289 | Aquarius Eco Premium 9500 [INT] | | | |
| | 90291 | Aquarius Eco Premium 13500 [INT] | | | |
| | 90292 | Aquarius Eco Premium 16500 [INT] | | | |
| 9 | 90286 | Aquarius Eco Premium 4500 [INT] | 97208 | Spare base Aquarius Eco Premium 16500 | 1 |
| | 90287 | Aquarius Eco Premium 6500 [INT] | | | |
| | 90289 | Aquarius Eco Premium 9500 [INT] | | | |
| | 90291 | Aquarius Eco Premium 13500 [INT] | | | |
| | 90292 | Aquarius Eco Premium 16500 [INT] | | | |
| 10 | 90286 | Aquarius Eco Premium 4500 [INT] | 97209 | Spare holder Aquarius Eco Premium | 1 |
| | 90287 | Aquarius Eco Premium 6500 [INT] | | | |
| | 90289 | Aquarius Eco Premium 9500 [INT] | | | |
| | 90291 | Aquarius Eco Premium 13500 [INT] | | | |
| | 90292 | Aquarius Eco Premium 16500 [INT] | | | |
| 11 | 90286 | Aquarius Eco Premium 4500 [INT] | 97110 | ASM gland seal with gasket set L22 | 1 |
| | 90287 | Aquarius Eco Premium 6500 [INT] | | | |
| | 90289 | Aquarius Eco Premium 9500 [INT] | | | |
| | 90291 | Aquarius Eco Premium 13500 [INT] | | | |
| | 90292 | Aquarius Eco Premium 16500 [INT] | | | |
| 12 | 90286 | Aquarius Eco Premium 4500 [INT] | 3587 | O-Ring NBR 92 x 3 SH75 | 1 |
| | 90287 | Aquarius Eco Premium 6500 [INT] | | | |
| | 90289 | Aquarius Eco Premium 9500 [INT] | | | |
| | 90291 | Aquarius Eco Premium 13500 [INT] | | | |
| | 90292 | Aquarius Eco Premium 16500 [INT] | | | |
| 13 | 90286 | Aquarius Eco Premium 4500 [INT] | 90949 | O-Ring NBR 108 x 4.5 SH70 | 1 |
| | 90287 | Aquarius Eco Premium 6500 [INT] | | | |
| | 90289 | Aquarius Eco Premium 9500 [INT] | | | |
| | 90291 | Aquarius Eco Premium 13500 [INT] | | | |
| | 90292 | Aquarius Eco Premium 16500 [INT] | | | |
| 14 | 90286 | Aquarius Eco Premium 4500 [INT] | 30983 | Clip Bitron Eco / AquaMax | 1 |
| | 90287 | Aquarius Eco Premium 6500 [INT] | | | |
| | 90289 | Aquarius Eco Premium 9500 [INT] | | | |
| | 90291 | Aquarius Eco Premium 13500 [INT] | | | |
| | 90292 | Aquarius Eco Premium 16500 [INT] | | | |
| 15 | 90286 | Aquarius Eco Premium 4500 [INT] | 35179 | Add. pack Aquarius Universal 1600-6000 | 1 |
| | 90287 | Aquarius Eco Premium 6500 [INT] | | | |
| | 90289 | Aquarius Eco Premium 9500 [INT] | | | |
| | 90291 | Aquarius Eco Premium 13500 [INT] | | | |
| | 90292 | Aquarius Eco Premium 16500 [INT] | | | |
| 16 | 90286 | Aquarius Eco Premium 4500 [INT] | 97752 | Add.pack Aquarius Eco Premium 9500-16500 | 1 |
| | 90287 | Aquarius Eco Premium 6500 [INT] | | | |
| | 90289 | Aquarius Eco Premium 9500 [INT] | | | |
| | 90291 | Aquarius Eco Premium 13500 [INT] | | | |
| | 90292 | Aquarius Eco Premium 16500 [INT] | | | |
| 17 | 90286 | Aquarius Eco Premium 4500 [INT] | 97099 | Add. pack Aquarius FOC 2 | 1 |
| | 90287 | Aquarius Eco Premium 6500 [INT] | | | |
| | 90289 | Aquarius Eco Premium 9500 [INT] | | | |
| | 90291 | Aquarius Eco Premium 13500 [INT] | | | |
| | 90292 | Aquarius Eco Premium 16500 [INT] | | | |
| 18 | 90286 | Aquarius Eco Premium 4500 [INT] | 97100 | Add. pack Aquarius FOC 4 | 1 |
| | 90287 | Aquarius Eco Premium 6500 [INT] | | | |
| | 90289 | Aquarius Eco Premium 9500 [INT] | | | |
| | 90291 | Aquarius Eco Premium 13500 [INT] | | | |
| | 90292 | Aquarius Eco Premium 16500 [INT] | | | |

| Item no. | Product |
|----------|----------------------------------|
| 56614 | Aquarius Universal Premium 4000 |
| 56617 | Aquarius Universal Premium 5000 |
| 56637 | Aquarius Universal Premium 6000 |
| 56876 | Aquarius Universal Premium 9000 |
| 56879 | Aquarius Universal Premium 12000 |



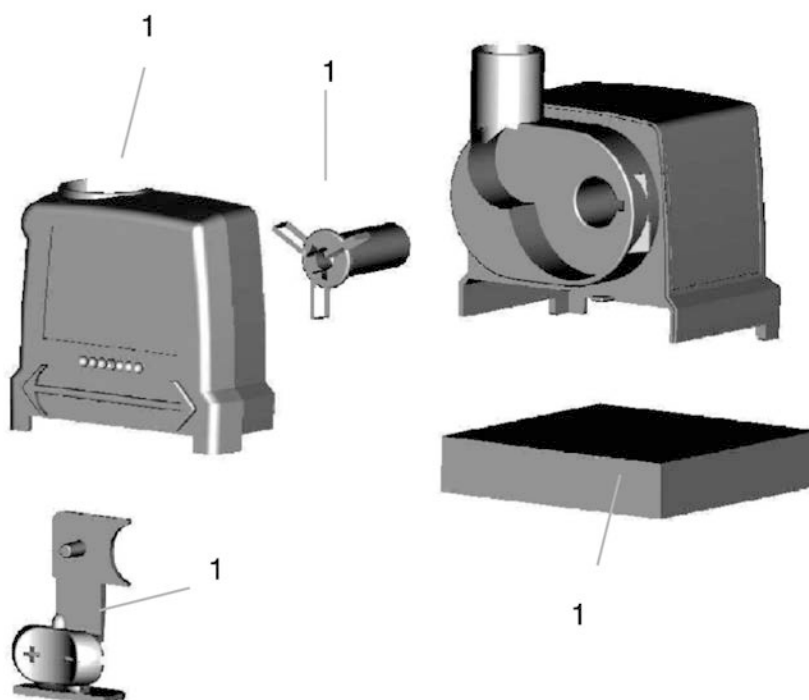
| Pos. | Item no. Product | Product | Item no. Spare part | Spare part | Number |
|------|---------------------|--|------------------------|--|--------|
| 1 | 56614 | Aquarius Universal Premium 4000 [INT] | | | |
| | 56617 | Aquarius Universal Premium 5000 [INT] | 35099 | Foot Aquarius Universal size 4 | 1 |
| | 56637 | Aquarius Universal Premium 6000 [INT] | | | |
| | 56876 | Aquarius Universal Premium 9000 [INT] | | | |
| | 56879 | Aquarius Universal Premium 12000 [INT] | 35243 | Foot Aquarius Universal size 5 | 1 |
| 2 | 56614 | Aquarius Universal Premium 4000 [INT] | | | |
| | 56617 | Aquarius Universal Premium 5000 [INT] | 3580 | O-Ring NBR 80 x 3 SH75 | 1 |
| | 56637 | Aquarius Universal Premium 6000 [INT] | | | |
| | 56876 | Aquarius Universal Premium 9000 [INT] | | | |
| | 56879 | Aquarius Universal Premium 12000 [INT] | 3594 | O-Ring NBR 100 x 4 SH75 | 1 |
| 3 | 56614 | Aquarius Universal Premium 4000 [INT] | | | |
| | 56617 | Aquarius Universal Premium 5000 [INT] | 26002 | Anti-freezing foam 2-1 | 1 |
| | 56637 | Aquarius Universal Premium 6000 [INT] | | | |
| | 56876 | Aquarius Universal Premium 9000 [INT] | | | |
| | 56879 | Aquarius Universal Premium 12000 [INT] | 26003 | Anti-freezing foam 2-2 | 1 |
| 4 | 56614 | Aquarius Universal Premium 4000 [INT] | | | |
| | 56617 | Aquarius Universal Premium 5000 [INT] | 34949 | Anti-freeze housing 2-1 AquaMax 03 | 1 |
| | 56637 | Aquarius Universal Premium 6000 [INT] | | | |
| | 56876 | Aquarius Universal Premium 9000 [INT] | | | |
| | 56879 | Aquarius Universal Premium 12000 [INT] | 34961 | Anti-freeze housing 2-2 AquaMax 03 | 1 |
| 5 | 56614 | Aquarius Universal Premium 4000 [INT] | | | |
| | 56617 | Aquarius Universal Premium 5000 [INT] | | | |
| | 56637 | Aquarius Universal Premium 6000 [INT] | 19491 | Flat gasket hose tail 1 1/2" | 1 |
| | 56876 | Aquarius Universal Premium 9000 [INT] | | | |
| | 56879 | Aquarius Universal Premium 12000 [INT] | | | |
| 6 | 56614 | Aquarius Universal Premium 4000 [INT] | | | |
| | 56617 | Aquarius Universal Premium 5000 [INT] | | | |
| | 56637 | Aquarius Universal Premium 6000 [INT] | 26405 | Suction unit Aquarius Universal size 4 | 1 |
| | 56876 | Aquarius Universal Premium 9000 [INT] | | | |
| | 56879 | Aquarius Universal Premium 12000 [INT] | | | |
| 7 | 56614 | Aquarius Universal Premium 4000 [INT] | | | |
| | 56617 | Aquarius Universal Premium 5000 [INT] | 35174 | ASM pre-filter Aquarius Universal size 4 | 1 |
| | 56637 | Aquarius Universal Premium 6000 [INT] | | | |
| | 56876 | Aquarius Universal Premium 9000 [INT] | | | |
| | 56879 | Aquarius Universal Premium 12000 [INT] | 35252 | ASM pre filter Aquarius Universal size 5 | 1 |
| 8 | 56614 | Aquarius Universal Premium 4000 [INT] | | | |
| | 56617 | Aquarius Universal Premium 5000 [INT] | 35179 | Add. pack Aquarius Universal 1600-6000 | 1 |
| | 56637 | Aquarius Universal Premium 6000 [INT] | | | |
| | 56876 | Aquarius Universal Premium 9000 [INT] | | | |
| | 56879 | Aquarius Universal Premium 12000 [INT] | 35251 | Add. pack Aquarius Universal 9000/12000 | 1 |

| Item no. | Product |
|----------|-------------------------------------|
| 57390 | Aquarius Universal Premium Eco 3000 |
| 57392 | Aquarius Universal Premium Eco 4000 |



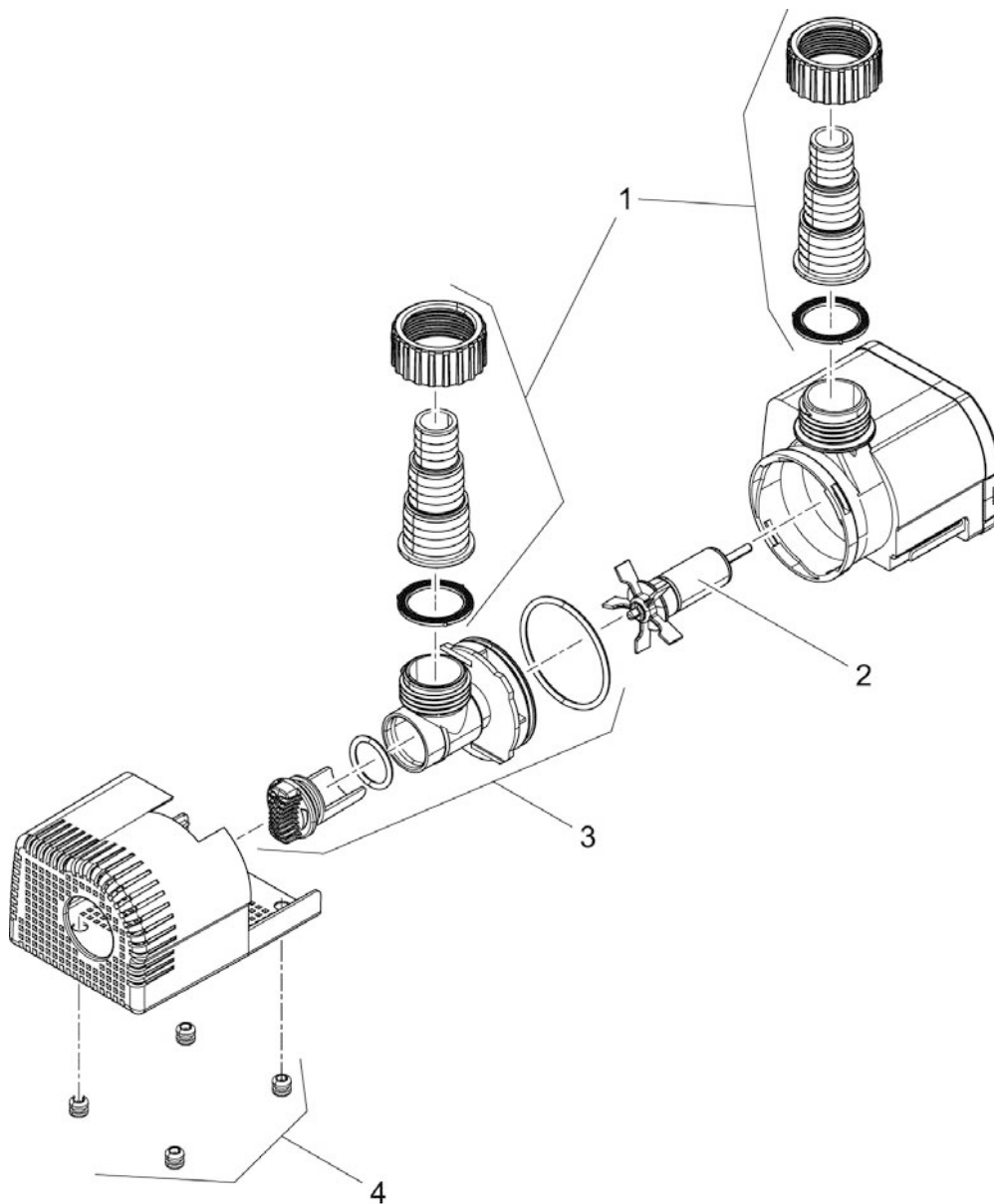
| Pos. | Item no. Product | Product | Item no. Spare part | Spare part | Number |
|------|------------------|---|---------------------|---|--------|
| 1 | 57390 | Aquarius Universal Premium Eco 3000 [INT] | 35752 | ASM base Aquarius Universal Eco | 1 |
| | 57392 | Aquarius Universal Premium Eco 4000 [INT] | | | |
| 2 | 57390 | Aquarius Universal Premium Eco 3000 [INT] | 25969 | O-Ring NBR 60 x 2.5 SH70 A | 1 |
| | 57392 | Aquarius Universal Premium Eco 4000 [INT] | | | |
| 3 | 57390 | Aquarius Universal Premium Eco 3000 [INT] | 35801 | Impeller Aquarius Universal Eco 3000 | 1 |
| | 57392 | Aquarius Universal Premium Eco 4000 [INT] | | | |
| 4 | 57390 | Aquarius Universal Premium Eco 3000 [INT] | 35825 | Spare pump housing Aquar. Universal Eco | 1 |
| | 57392 | Aquarius Universal Premium Eco 4000 [INT] | | | |
| 5 | 57390 | Aquarius Universal Premium Eco 3000 [INT] | 19491 | Flat gasket hose tail 1 1/2" | 1 |
| | 57392 | Aquarius Universal Premium Eco 4000 [INT] | | | |
| 6 | 57390 | Aquarius Universal Premium Eco 3000 [INT] | 26405 | Suction unit Aquarius Universal size 4 | 1 |
| | 57392 | Aquarius Universal Premium Eco 4000 [INT] | | | |
| 7 | 57390 | Aquarius Universal Premium Eco 3000 [INT] | 35826 | Spare pre filter Aquarius Universal Eco | 1 |
| | 57392 | Aquarius Universal Premium Eco 4000 [INT] | | | |
| 8 | 57390 | Aquarius Universal Premium Eco 3000 [INT] | 35179 | Add. pack Aquarius Universal 1600-6000 | 1 |
| | 57392 | Aquarius Universal Premium Eco 4000 [INT] | | | |

| Item no. | Product |
|----------|-----------------------------------|
| 36673 | Aquarius Universal Classic 440i |
| 36726 | Aquarius Universal Classic 440 |
| 36746 | GB Aquarius Universal Classic 440 |



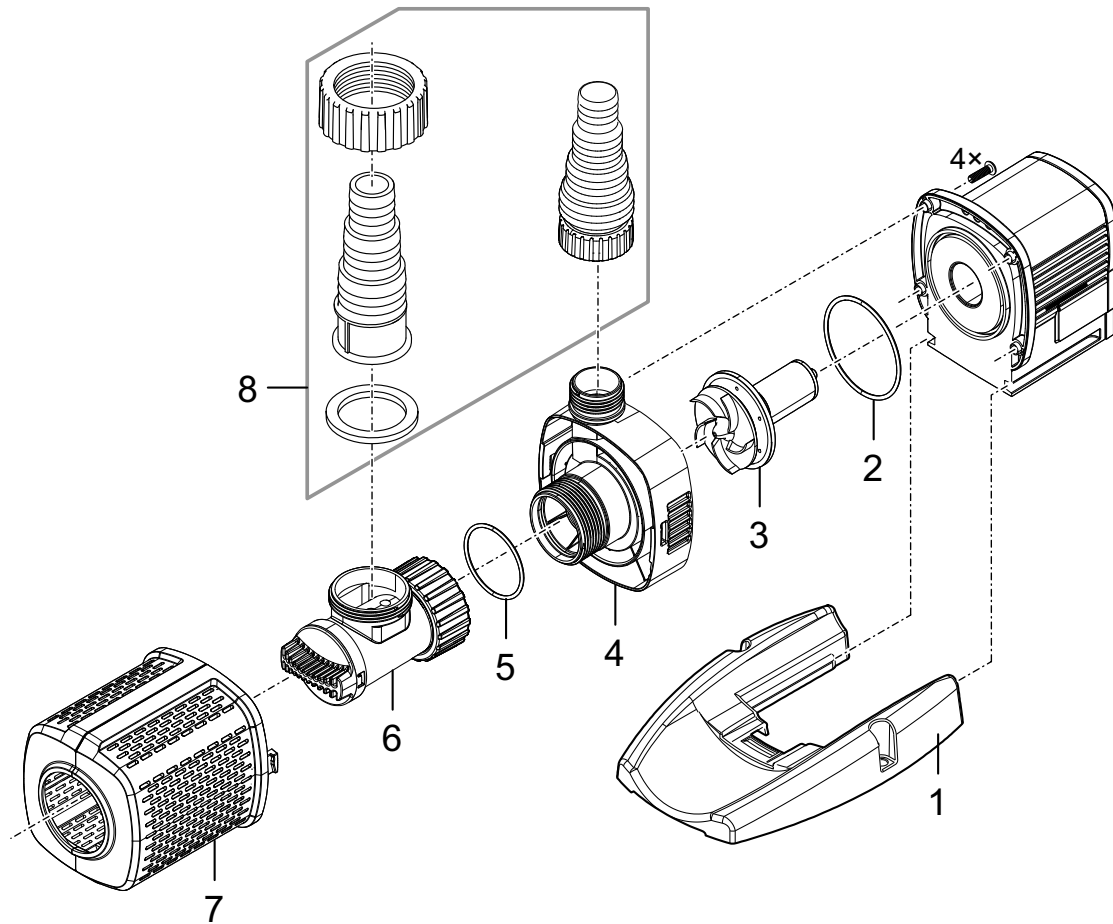
| Pos. | Item no. Product | Product | Item no. Spare part | Spare part | Number |
|------|---------------------|---------------------------------------|------------------------|---------------------------------------|--------|
| | 36673 | Aquarius Universal Classic 440i [INT] | | | |
| 1 | 36726 | Aquarius Universal Classic 440 [INT] | 36787 | Spare part set Aquarius Universal 440 | 1 |
| | 36746 | Aquarius Universal Classic 440 [GB] | | | |

| Item no. | Product |
|----------|------------------------------------|
| 36950 | Aquarius Universal Classic 1000 |
| 36951 | Aquarius Universal Classic 1500 |
| 36953 | Aquarius Universal Classic 2000 |
| 36975 | Aquarius Universal Classic 600 |
| 36977 | GB Aquarius Universal Classic 600 |
| 36978 | GB Aquarius Universal Classic 2000 |
| 36980 | GB Aquarius Universal Classic 1000 |
| 36983 | GB Aquarius Universal Classic 1500 |



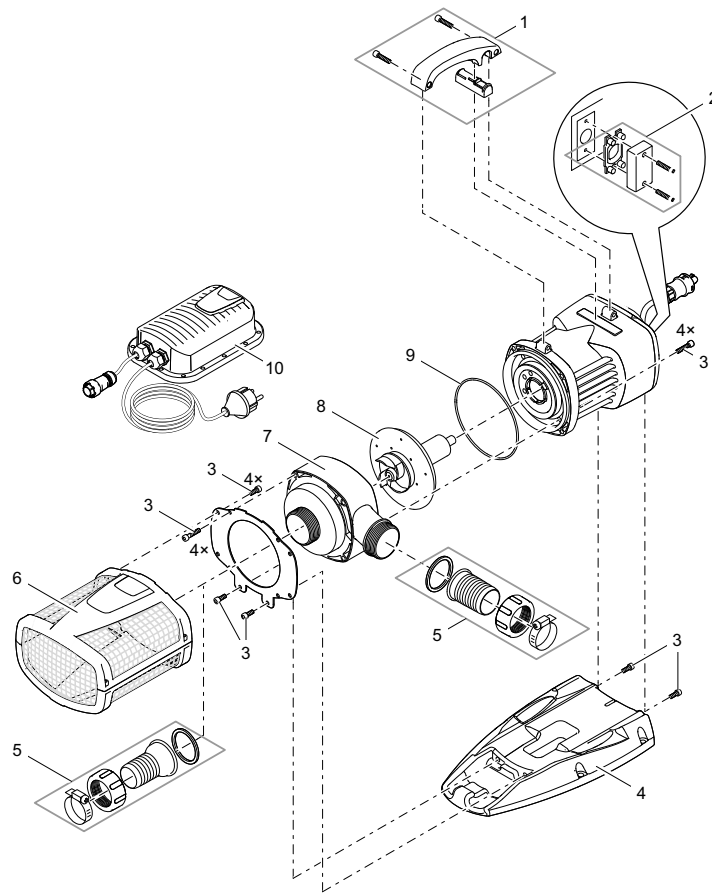
| Pos. | Item no. Product | Product | Item no. Spare part | Spare part | Number |
|-------|--------------------------------------|---------------------------------------|------------------------|--|--------|
| 1 | 36950 | Aquarius Universal Classic 1000 [INT] | | | |
| | 36951 | Aquarius Universal Classic 1500 [INT] | | | |
| | 36953 | Aquarius Universal Classic 2000 [INT] | | | |
| | 36975 | Aquarius Universal Classic 600 [INT] | | | |
| | 36977 | Aquarius Universal Classic 600 [GB] | 42429 | Spare stepped hose tail 1/2" | 1 |
| | 36978 | Aquarius Universal Classic 2000 [GB] | | | |
| | 36980 | Aquarius Universal Classic 1000 [GB] | | | |
| | 36983 | Aquarius Universal Classic 1500 [GB] | | | |
| 2 | 36950 | Aquarius Universal Classic 1000 [INT] | 26193 | ASM spare rotor Aquarius Universal 1000 | 1 |
| | 36951 | Aquarius Universal Classic 1500 [INT] | 26194 | ASM spare rotor Aquarius Universal 1500 | 1 |
| | 36953 | Aquarius Universal Classic 2000 [INT] | 26195 | ASM spare rotor Aquarius Universal 2000 | 1 |
| | 36975 | Aquarius Universal Classic 600 [INT] | 26192 | Spare rotor cpl. standard-synchron 750 V | 1 |
| | 36977 | Aquarius Universal Classic 600 [GB] | | | |
| | 36978 | Aquarius Universal Classic 2000 [GB] | 26195 | ASM spare rotor Aquarius Universal 2000 | 1 |
| | 36980 | Aquarius Universal Classic 1000 [GB] | 26193 | ASM spare rotor Aquarius Universal 1000 | 1 |
| | 36983 | Aquarius Universal Classic 1500 [GB] | 26194 | ASM spare rotor Aquarius Universal 1500 | 1 |
| 3 | 36950 | Aquarius Universal Classic 1000 [INT] | 26187 | ASM suction cover Aquar. Uni. 1000-1500 | 1 |
| | 36951 | Aquarius Universal Classic 1500 [INT] | | | |
| | 36953 | Aquarius Universal Classic 2000 [INT] | 26189 | ASM suction cover Aquarius Uni. 2000 | 1 |
| | 36975 | Aquarius Universal Classic 600 [INT] | 26186 | ASM suction cover Aquarius Universal 600 | 1 |
| | 36977 | Aquarius Universal Classic 600 [GB] | | | |
| | 36978 | Aquarius Universal Classic 2000 [GB] | 26189 | ASM suction cover Aquarius Uni. 2000 | 1 |
| | 36980 | Aquarius Universal Classic 1000 [GB] | 26187 | ASM suction cover Aquar. Uni. 1000-1500 | 1 |
| | 36983 | Aquarius Universal Classic 1500 [GB] | | | |
| 4 | 36950 | Aquarius Universal Classic 1000 [INT] | 26191 | ASM filter+rubber feet Aquar. Uni. 1000 | 1 |
| | 36951 | Aquarius Universal Classic 1500 [INT] | | | |
| | 36953 | Aquarius Universal Classic 2000 [INT] | | | |
| | 36975 | Aquarius Universal Classic 600 [INT] | 26190 | ASM filter+rubber feet Aquar. Uni. 600 | 1 |
| | 36977 | Aquarius Universal Classic 600 [GB] | | | |
| | 36978 | Aquarius Universal Classic 2000 [GB] | | | |
| | 36980 | Aquarius Universal Classic 1000 [GB] | 26191 | ASM filter+rubber feet Aquar. Uni. 1000 | 1 |
| 36983 | Aquarius Universal Classic 1500 [GB] | | | | |

| Item no. | Product |
|----------|------------------------------------|
| 90221 | Aquarius Universal Classic 3000 |
| 90222 | GB Aquarius Universal Classic 3000 |



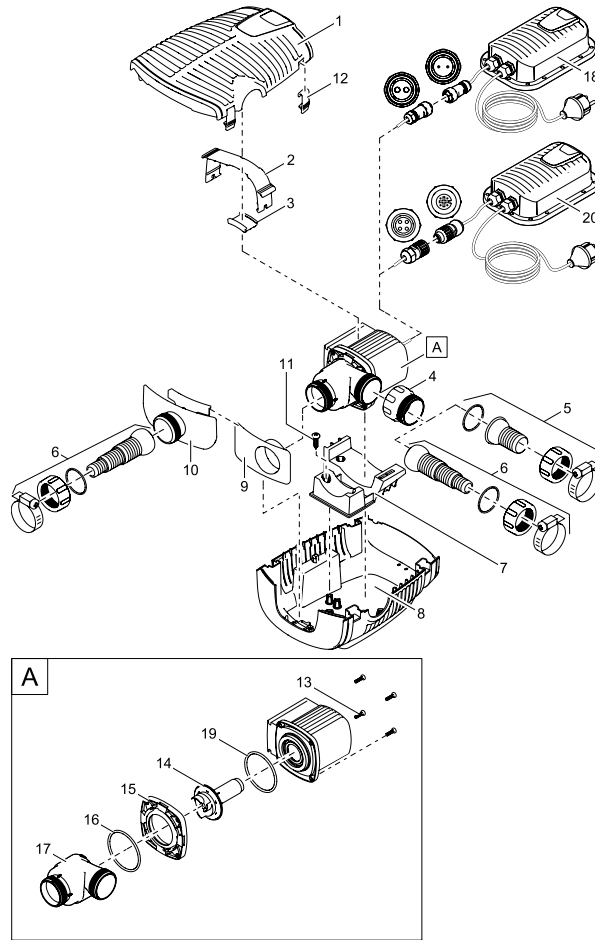
| Pos. | Item no. Product | Product | Item no. Spare part | Spare part | Number |
|------|------------------|---------------------------------------|---------------------|--|--------|
| 1 | 90221 | Aquarius Universal Classic 3000 [INT] | 35752 | ASM base Aquarius Universal Eco | 1 |
| | 90222 | Aquarius Universal Classic 3000 [GB] | | | |
| 2 | 90221 | Aquarius Universal Classic 3000 [INT] | 25969 | O-Ring NBR 60 x 2.5 SH70 A | 1 |
| | 90222 | Aquarius Universal Classic 3000 [GB] | | | |
| 3 | 90221 | Aquarius Universal Classic 3000 [INT] | 91807 | Spare rotor Aquarius Universal Cl. 3000 | 1 |
| | 90222 | Aquarius Universal Classic 3000 [GB] | | | |
| 4 | 90221 | Aquarius Universal Classic 3000 [INT] | 91808 | Spare pump housing Aquarius Univ.Cl.3000 | 1 |
| | 90222 | Aquarius Universal Classic 3000 [GB] | | | |
| 5 | 90221 | Aquarius Universal Classic 3000 [INT] | 19491 | Flat gasket hose tail 1 1/2" | 1 |
| | 90222 | Aquarius Universal Classic 3000 [GB] | | | |
| 6 | 90221 | Aquarius Universal Classic 3000 [INT] | 26405 | Suction unit Aquarius Universal size 4 | 1 |
| | 90222 | Aquarius Universal Classic 3000 [GB] | | | |
| 7 | 90221 | Aquarius Universal Classic 3000 [INT] | 91809 | Spare prefilter Aquarius Univ. Cl. 3000 | 1 |
| | 90222 | Aquarius Universal Classic 3000 [GB] | | | |
| 8 | 90221 | Aquarius Universal Classic 3000 [INT] | 35179 | Add. pack Aquarius Universal 1600-6000 | 1 |
| | 90222 | Aquarius Universal Classic 3000 [GB] | | | |

| Item no. | Product |
|----------|---------------------------------|
| 55313 | AquaMax Eco Expert 20000 / 12 V |
| 77918 | AquaMax Eco Expert 27000 / 12 V |



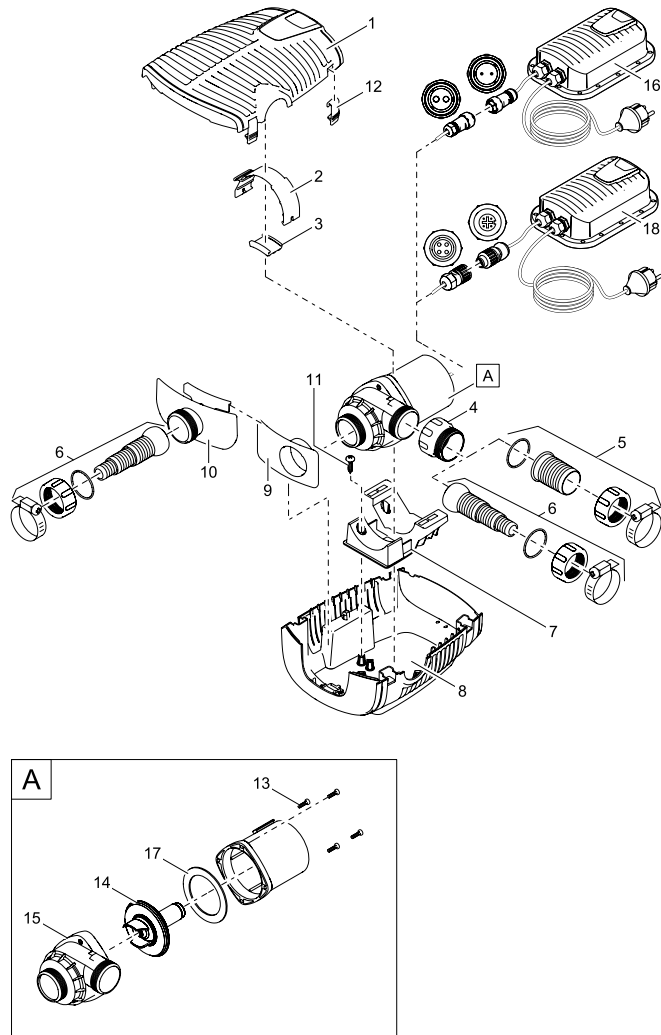
| Pos. | Item no. Product | Product | Item no. Spare part | Spare part | Number |
|------|------------------|---------------------------------------|---------------------|--|--------|
| 1 | 55313 | AquaMax Eco Expert 20000 / 12 V [INT] | 40510 | Spare handle with switch set | 1 |
| | 77918 | AquaMax Eco Expert 27000 / 12 V [INT] | | | |
| 2 | 55313 | AquaMax Eco Expert 20000 / 12 V [INT] | 40509 | ASM gland seal with gasket set | 1 |
| | 77918 | AquaMax Eco Expert 27000 / 12 V [INT] | | | |
| 3 | 55313 | AquaMax Eco Expert 20000 / 12 V [INT] | 40511 | Spare screws set | 1 |
| | 77918 | AquaMax Eco Expert 27000 / 12 V [INT] | | | |
| 4 | 55313 | AquaMax Eco Expert 20000 / 12 V [INT] | 70464 | ASM base EC2 Maxi | 1 |
| | 77918 | AquaMax Eco Expert 27000 / 12 V [INT] | 49998 | Base EC2 Maxi XL | 1 |
| 5 | 55313 | AquaMax Eco Expert 20000 / 12 V [INT] | 35359 | Connection kit Aquamax Expert | 1 |
| | 77918 | AquaMax Eco Expert 27000 / 12 V [INT] | | | |
| 6 | 55313 | AquaMax Eco Expert 20000 / 12 V [INT] | 37838 | ASM filter housing AquaMax Expert | 1 |
| | 77918 | AquaMax Eco Expert 27000 / 12 V [INT] | 49997 | ASM filter housing AquaMax Expert 44000 | 1 |
| 7 | 55313 | AquaMax Eco Expert 20000 / 12 V [INT] | 37837 | ASM pump housing AquaMax Eco Exp. 26000 | 1 |
| | 77918 | AquaMax Eco Expert 27000 / 12 V [INT] | 50190 | ASM pump housing Aquarius/AquaMax 44000 | 1 |
| 8 | 55313 | AquaMax Eco Expert 20000 / 12 V [INT] | 40508 | Spare rotor AquaMax Eco Exp. 21000-26000 | 1 |
| | 77918 | AquaMax Eco Expert 27000 / 12 V [INT] | 90279 | Spare rotor AquaMax Eco Exp. 27000 12 V | 1 |
| 9 | 55313 | AquaMax Eco Expert 20000 / 12 V [INT] | 32972 | O-Ring NBR 127 x 4.0 SH70 | 1 |
| | 77918 | AquaMax Eco Expert 27000 / 12 V [INT] | | | |
| 10 | 55313 | AquaMax Eco Expert 20000 / 12 V [INT] | 88785 | Power supply 250 VA / 12 V DC 25A V 2022 | 1 |
| | 77918 | AquaMax Eco Expert 27000 / 12 V [INT] | | | |

| Item no. | Product |
|----------|---------------------------------|
| 50730 | AquaMax Eco Premium 6000 / 12 V |



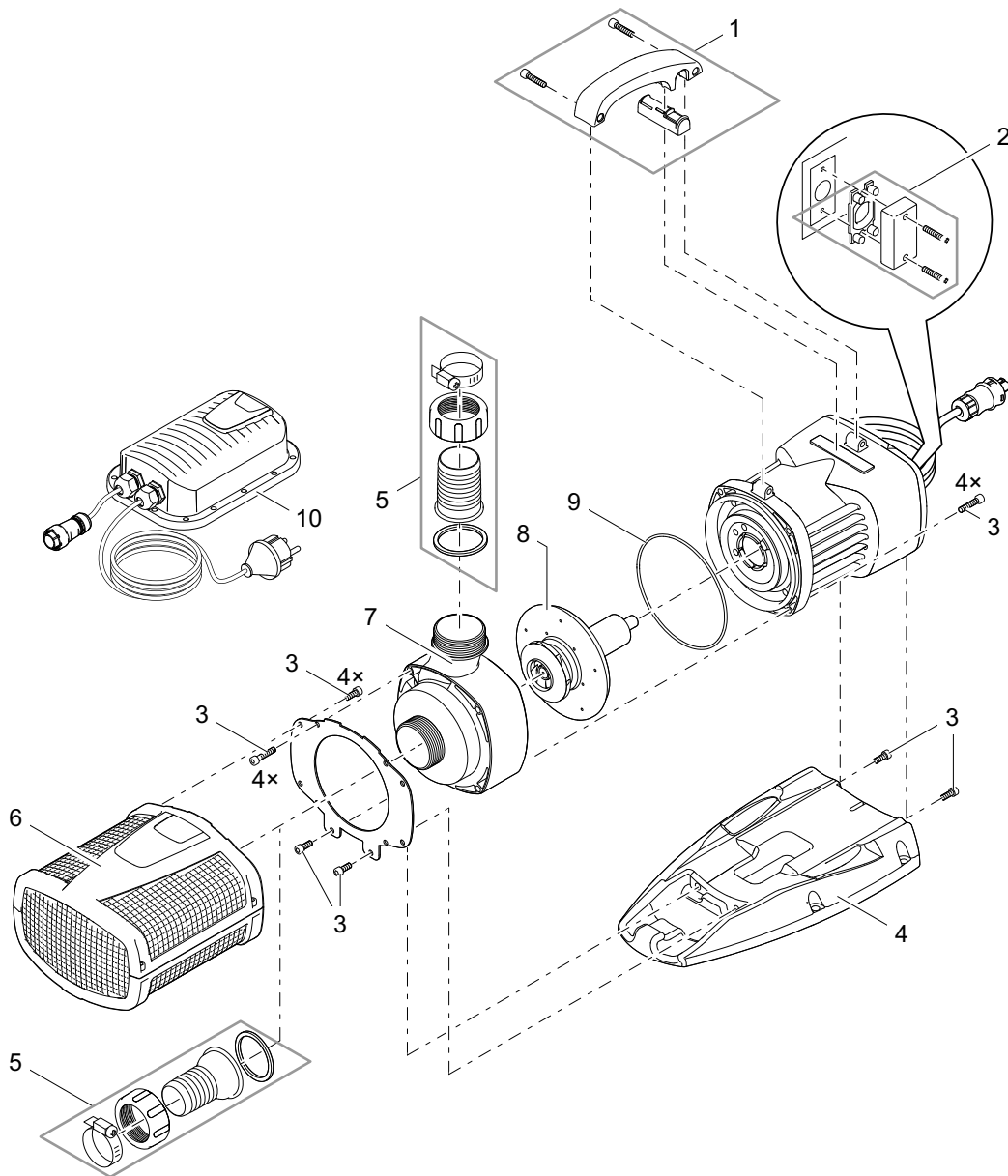
| Pos. | Item no. Product | Product | Item no. Spare part | Spare part | Number |
|------|------------------|---------------------------------------|---------------------|--|--------|
| 1 | 50730 | AquaMax Eco Premium 6000 / 12 V [INT] | 17963 | Spare filter housing top AquaMax Eco Pr. | 1 |
| 2 | 50730 | AquaMax Eco Premium 6000 / 12 V [INT] | 16978 | Clamp EC1 | 1 |
| 3 | 50730 | AquaMax Eco Premium 6000 / 12 V [INT] | 17232 | Rubber part AquaMax Pro | 1 |
| 4 | 50730 | AquaMax Eco Premium 6000 / 12 V [INT] | 16859 | Adapter 2" | 1 |
| 5 | 50730 | AquaMax Eco Premium 6000 / 12 V [INT] | 17064 | Add. pack AquaMax Eco 1 1/2" | 1 |
| 6 | 50730 | AquaMax Eco Premium 6000 / 12 V [INT] | 17272 | Add. pack AquaMax Eco 1" - 1 1/2" | 1 |
| 7 | 50730 | AquaMax Eco Premium 6000 / 12 V [INT] | 16961 | Pump holder EC1 AquaMax Pro | 1 |
| 8 | 50730 | AquaMax Eco Premium 6000 / 12 V [INT] | 17962 | Spare filter housing base AquaMaxEco Pr. | 1 |
| 9 | 50730 | AquaMax Eco Premium 6000 / 12 V [INT] | 16867 | Suction adapter AquaMax Pro | 1 |
| 10 | 50730 | AquaMax Eco Premium 6000 / 12 V [INT] | 16866 | Regulator AquaMax Pro | 1 |
| 11 | 50730 | AquaMax Eco Premium 6000 / 12 V [INT] | 22853 | Oval head screw CH-V2A DIN 7981 4.8x19 | 4 |
| 12 | 50730 | AquaMax Eco Premium 6000 / 12 V [INT] | 30983 | Clip Bitron Eco / AquaMax | 1 |
| 13 | 50730 | AquaMax Eco Premium 6000 / 12 V [INT] | 6055 | Oval head screw V2A DIN 7985 M5 x 20 H | 1 |
| 14 | 50730 | AquaMax Eco Premium 6000 / 12 V [INT] | 17964 | Spare rotor AquaMax Eco Pre. 4000 - 8000 | 1 |
| 15 | 50730 | AquaMax Eco Premium 6000 / 12 V [INT] | 35468 | ASM inside housing EC1 pre-assembled | 1 |
| 16 | 50730 | AquaMax Eco Premium 6000 / 12 V [INT] | 3635 | O-Ring SI 76 x 4 SH50 red/br. | 1 |
| 17 | 50730 | AquaMax Eco Premium 6000 / 12 V [INT] | 17967 | Spare pump housing AquaMax Eco Pr. 6000 | 1 |
| 18 | 50730 | AquaMax Eco Premium 6000 / 12 V [INT] | 76197 | Power supply 100 VA / 12 V DC 8A V-2021 | 1 |
| 19 | 50730 | AquaMax Eco Premium 6000 / 12 V [INT] | 28539 | O-Ring NBR 78 x 4.3 SH70 | 1 |
| 20 | 50730 | AquaMax Eco Premium 6000 / 12 V [INT] | 77023 | Power supply 100 VA / 12 V DC 8A V-2020 | 1 |

| Item no. | Product |
|----------|----------------------------------|
| 50382 | AquaMax Eco Premium 12000 / 12 V |



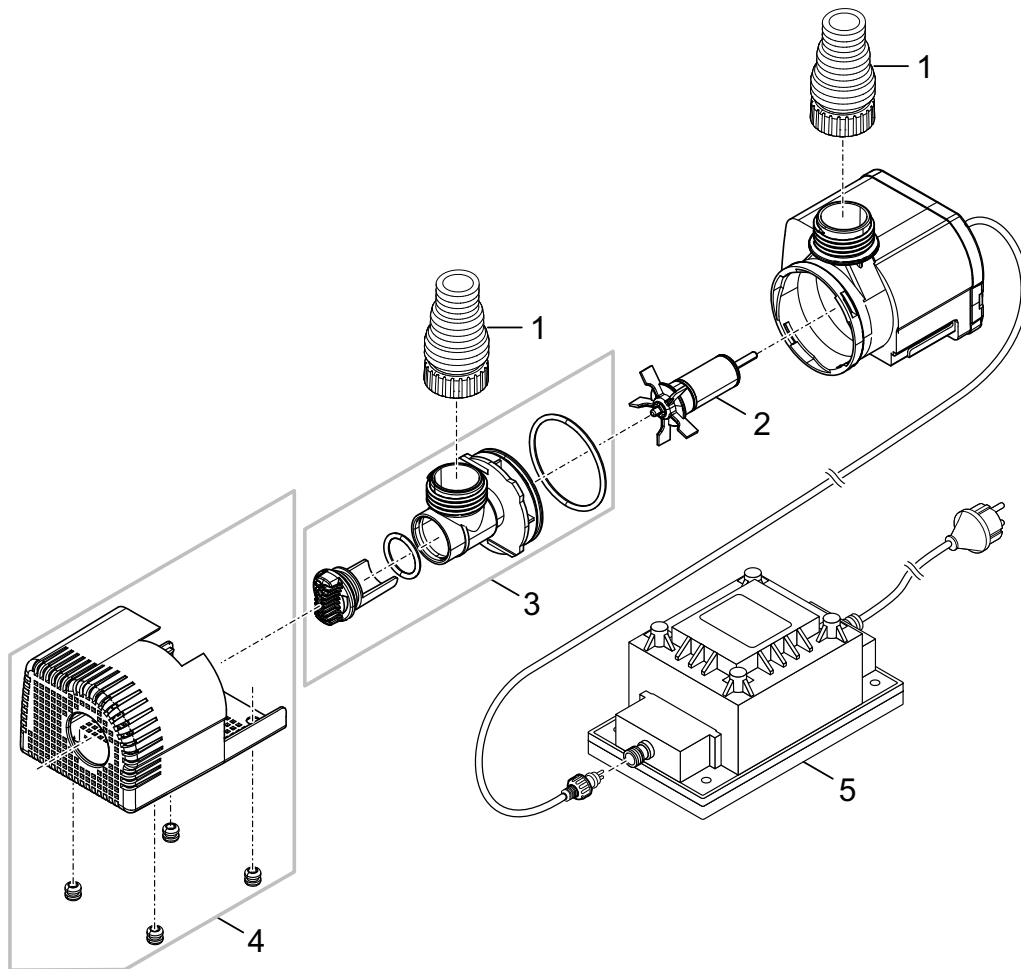
| Pos. | Item no. Product | Item no. Spare part | Spare part | Number |
|------|--|---------------------|--|--------|
| 1 | 50382 AquaMax Eco Premium 12000 / 12 V [INT] | 17963 | Spare filter housing top AquaMax Eco Pr. | 1 |
| 2 | 50382 AquaMax Eco Premium 12000 / 12 V [INT] | 16982 | Clamp EC2 | 1 |
| 3 | 50382 AquaMax Eco Premium 12000 / 12 V [INT] | 17232 | Rubber part AquaMax Pro | 1 |
| 4 | 50382 AquaMax Eco Premium 12000 / 12 V [INT] | 16859 | Adapter 2" | 1 |
| 5 | 50382 AquaMax Eco Premium 12000 / 12 V [INT] | 17069 | Add. pack AquaMax Eco 2" | 1 |
| 6 | 50382 AquaMax Eco Premium 12000 / 12 V [INT] | 17272 | Add. pack AquaMax Eco 1" - 1 1/2" | 1 |
| 7 | 50382 AquaMax Eco Premium 12000 / 12 V [INT] | 16956 | Pump holder EC2 AquaMax Pro | 1 |
| 8 | 50382 AquaMax Eco Premium 12000 / 12 V [INT] | 17962 | Spare filter housing base AquaMaxEco Pr. | 1 |
| 9 | 50382 AquaMax Eco Premium 12000 / 12 V [INT] | 16867 | Suction adapter AquaMax Pro | 1 |
| 10 | 50382 AquaMax Eco Premium 12000 / 12 V [INT] | 16866 | Regulator AquaMax Pro | 1 |
| 11 | 50382 AquaMax Eco Premium 12000 / 12 V [INT] | 22853 | Oval head screw CH-V2A DIN 7981 4,8x19 | 4 |
| 12 | 50382 AquaMax Eco Premium 12000 / 12 V [INT] | 30983 | Clip Bitron Eco / AquaMax | 1 |
| 13 | 50382 AquaMax Eco Premium 12000 / 12 V [INT] | 6055 | Oval head screw V2A DIN 7985 M5 x 20 H | 1 |
| 14 | 50382 AquaMax Eco Premium 12000 / 12 V [INT] | 17965 | Spare rotor AquaMax Eco Pre. 12000-16000 | 1 |
| 15 | 50382 AquaMax Eco Premium 12000 / 12 V [INT] | 17970 | Spare pump housing AquaMax Eco Pr. 16000 | 1 |
| 16 | 50382 AquaMax Eco Premium 12000 / 12 V [INT] | 76197 | Power supply 100 VA / 12 V DC 8A V-2021 | 1 |
| 17 | 50382 AquaMax Eco Premium 12000 / 12 V [INT] | 24151 | Flat gasket NBR 107 x 78 x 2.5 SH45 | 1 |
| 18 | 50382 AquaMax Eco Premium 12000 / 12 V [INT] | 77023 | Power supply 100 VA / 12 V DC 8A V-2020 | 1 |

| Item no. | Product |
|----------|----------------------------------|
| 78109 | Aquarius Eco Expert 20000 / 12 V |



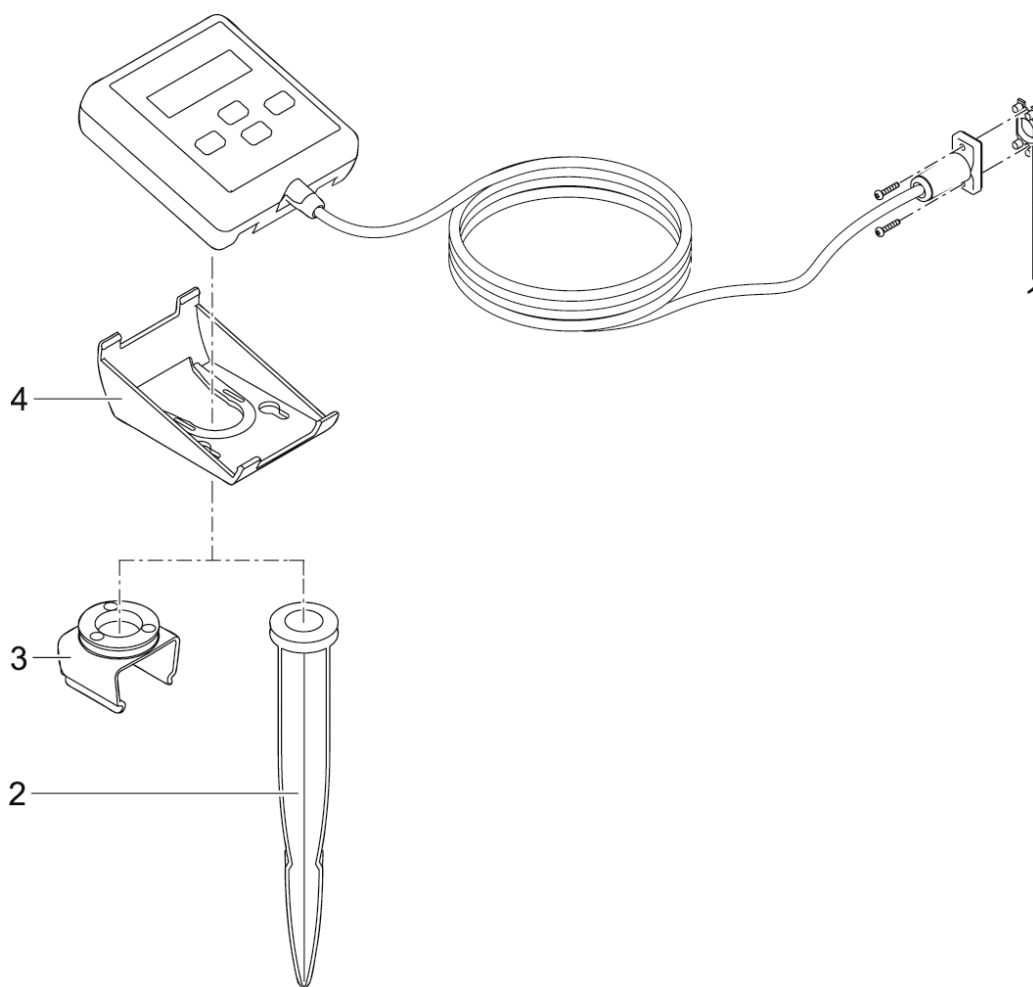
| Pos. | Item no. Product | Product | Item no. Spare part | Spare part | Number |
|------|------------------|--|---------------------|--|--------|
| 1 | 78109 | Aquarius Eco Expert 20000 / 12 V [INT] | 40510 | Spare handle with switch set | 1 |
| 2 | 78109 | Aquarius Eco Expert 20000 / 12 V [INT] | 40509 | ASM gland seal with gasket set | 1 |
| 3 | 78109 | Aquarius Eco Expert 20000 / 12 V [INT] | 43864 | Spare screws set Titanium | 1 |
| 4 | 78109 | Aquarius Eco Expert 20000 / 12 V [INT] | 70464 | ASM base EC2 Maxi | 1 |
| 5 | 78109 | Aquarius Eco Expert 20000 / 12 V [INT] | 35359 | Connection kit Aquamax Expert | 1 |
| 6 | 78109 | Aquarius Eco Expert 20000 / 12 V [INT] | 42411 | ASM filter housing Aquarius Uni. Eco | 1 |
| 7 | 78109 | Aquarius Eco Expert 20000 / 12 V [INT] | 85273 | ASM pump housing Aquarius Eco Exp. 20000 | 1 |
| 8 | 78109 | Aquarius Eco Expert 20000 / 12 V [INT] | 48671 | Spare rotor Aquarius Eco Expert 28000 | 1 |
| 9 | 78109 | Aquarius Eco Expert 20000 / 12 V [INT] | 32972 | O-Ring NBR 127 x 4.0 SH70 | 1 |
| 10 | 78109 | Aquarius Eco Expert 20000 / 12 V [INT] | 88785 | Power supply 250 VA / 12 V DC 25A V 2022 | 1 |

| Item no. | Product |
|----------|--|
| 90156 | Aquarius Universal Classic 1000 / 12 V |
| 90157 | Aquarius Universal Classic 2000 / 12 V |



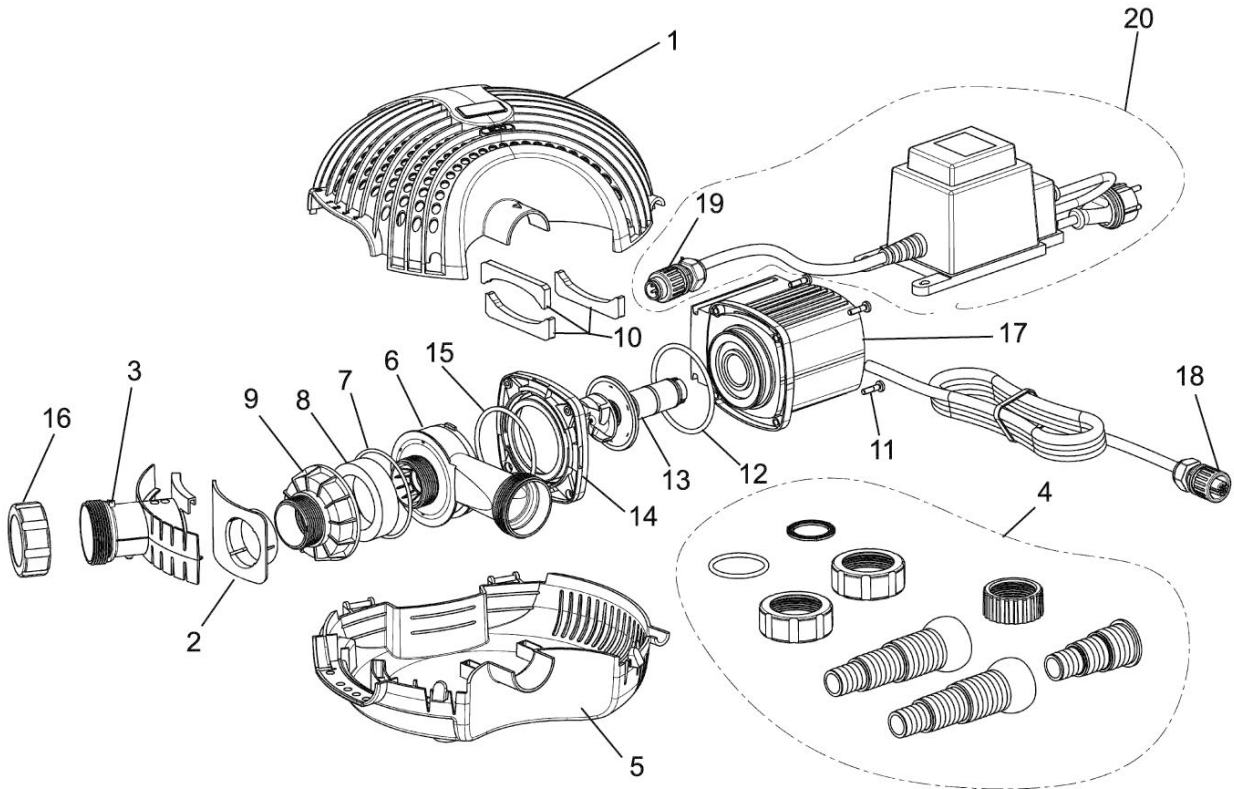
| Pos. | Item no. Product | Product | Item no. Spare part | Spare part | Number |
|------|---------------------|--|------------------------|---|--------|
| 1 | 90156 | Aquarius Universal Classic 1000 / 12 V [INT] | 42429 | Spare stepped hose tail 1/2" | 1 |
| | 90157 | Aquarius Universal Classic 2000 / 12 V [INT] | | | |
| 2 | 90156 | Aquarius Universal Classic 1000 / 12 V [INT] | 26193 | ASM spare rotor Aquarius Universal 1000 | 1 |
| | 90157 | Aquarius Universal Classic 2000 / 12 V [INT] | 26195 | ASM spare rotor Aquarius Universal 2000 | 1 |
| 3 | 90156 | Aquarius Universal Classic 1000 / 12 V [INT] | 26187 | ASM suction cover Aquar. Uni. 1000-1500 | 1 |
| | 90157 | Aquarius Universal Classic 2000 / 12 V [INT] | 26189 | ASM suction cover Aquarius Uni. 2000 | 1 |
| 4 | 90156 | Aquarius Universal Classic 1000 / 12 V [INT] | 26191 | ASM filter+rubber feet Aquar. Uni. 1000 | 1 |
| | 90157 | Aquarius Universal Classic 2000 / 12 V [INT] | | | |
| 5 | 90156 | Aquarius Universal Classic 1000 / 12 V [INT] | 36616 | TRS TDC SCK 230/12V 50Hz 70 W DE-70-12W | 1 |
| | 90157 | Aquarius Universal Classic 2000 / 12 V [INT] | | | |

| Item no. | Product |
|----------|---------------------|
| 40247 | AquaMax Eco Control |



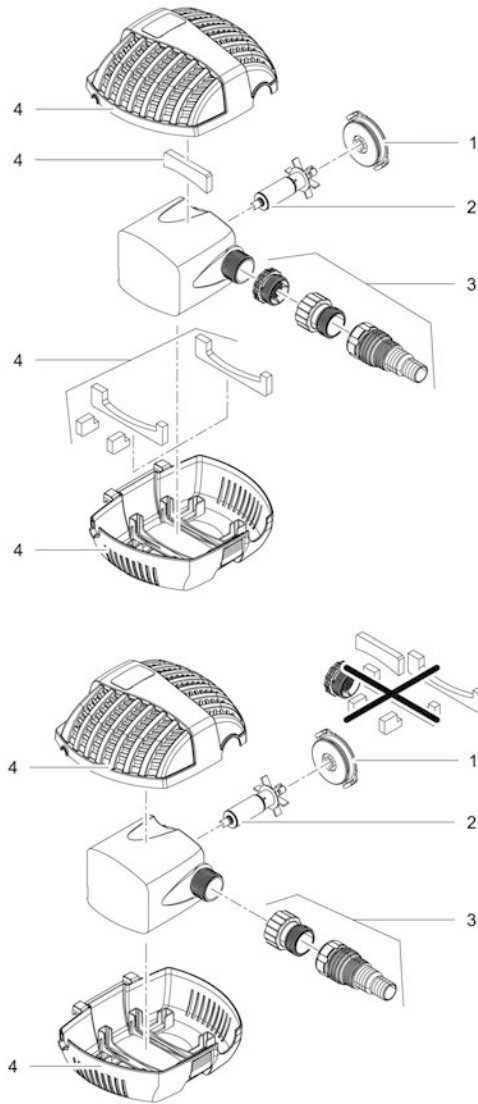
| Pos. | Item no. Product | Product | Item no. Spare part | Spare part | Number |
|------|------------------|---------------------------|---------------------|-----------------------------------|--------|
| 1 | 40247 | AquaMax Eco Control [INT] | 11710 | Gasket DMX | 1 |
| 2 | 40247 | AquaMax Eco Control [INT] | 20284 | Spike | 1 |
| 3 | 40247 | AquaMax Eco Control [INT] | 40466 | Holding clamp AquaMax Eco Control | 1 |
| 4 | 40247 | AquaMax Eco Control [INT] | 40465 | Holding frame AquaMax Eco Control | 1 |

| Item no. | Product |
|----------|--------------------|
| 57356 | AquaMax Eco R 8000 |
| 57358 | AquaMax Eco 12000 |



| Pos. | Item no. Product | Product | Item no. Spare part | Spare part | Number |
|------|---------------------|--------------------------|------------------------|--|--------|
| 2 | 57356 | AquaMax Eco R 8000 [INT] | 34945 | Suction adapter AquaMax 03 | 1 |
| | 57358 | AquaMax Eco 12000 [INT] | | | |
| 4 | 57356 | AquaMax Eco R 8000 [INT] | 35459 | Add. pack kit AquaMax Eco 4000-8000 | 1 |
| | 57358 | AquaMax Eco 12000 [INT] | 14847 | Add. pack kit AquaMax Eco 12-16000 | 1 |
| 5 | 57356 | AquaMax Eco R 8000 [INT] | 34944 | Base filter housing AquaMax 03 | 1 |
| | 57358 | AquaMax Eco 12000 [INT] | | | |
| 6 | 57356 | AquaMax Eco R 8000 [INT] | 35775 | Pump housing anti-freeze 2-1 D30 | 1 |
| 7 | 57356 | AquaMax Eco R 8000 [INT] | 3580 | O-Ring NBR 80 x 3 SH75 | 1 |
| | 57358 | AquaMax Eco 12000 [INT] | | | |
| 8 | 57356 | AquaMax Eco R 8000 [INT] | 26002 | Anti-freezing foam 2-1 | 1 |
| | 57358 | AquaMax Eco 12000 [INT] | | | |
| 9 | 57356 | AquaMax Eco R 8000 [INT] | 34949 | Anti-freeze housing 2-1 AquaMax 03 | 1 |
| | 57358 | AquaMax Eco 12000 [INT] | | | |
| 10 | 57356 | AquaMax Eco R 8000 [INT] | 27949 | Rubber pad AquaMax Eco | 3 |
| | 57358 | AquaMax Eco 12000 [INT] | | | |
| 11 | 57356 | AquaMax Eco R 8000 [INT] | 6055 | Oval head screw V2A DIN 7985 M5 x 20 H | 1 |
| | 57358 | AquaMax Eco 12000 [INT] | | | 4 |
| 12 | 57356 | AquaMax Eco R 8000 [INT] | 28539 | O-Ring NBR 78 x 4.3 SH70 | 1 |
| | 57358 | AquaMax Eco 12000 [INT] | | | |
| 13 | 57356 | AquaMax Eco R 8000 [INT] | 35787 | Impeller cpl. Aqm Eco 6000/8000/6000 12V | 1 |
| | 57358 | AquaMax Eco 12000 [INT] | 35818 | Spare rotor cpl. AquaMax Eco 12000-16000 | 1 |
| 14 | 57356 | AquaMax Eco R 8000 [INT] | 35468 | ASM inside housing EC1 pre-assembled | 1 |
| 15 | 57356 | AquaMax Eco R 8000 [INT] | 3635 | O-Ring SI 76 x 4 SH50 red/br. | 1 |
| 16 | 57356 | AquaMax Eco R 8000 [INT] | 25993 | Screw cap 2" | 1 |
| | 57358 | AquaMax Eco 12000 [INT] | | | |

| Item no. | Product |
|----------|--------------------|
| 13742 | Spare pump FP 3500 |
| 13745 | Spare pump FP 2500 |
| 15329 | Spare pump FP 1500 |



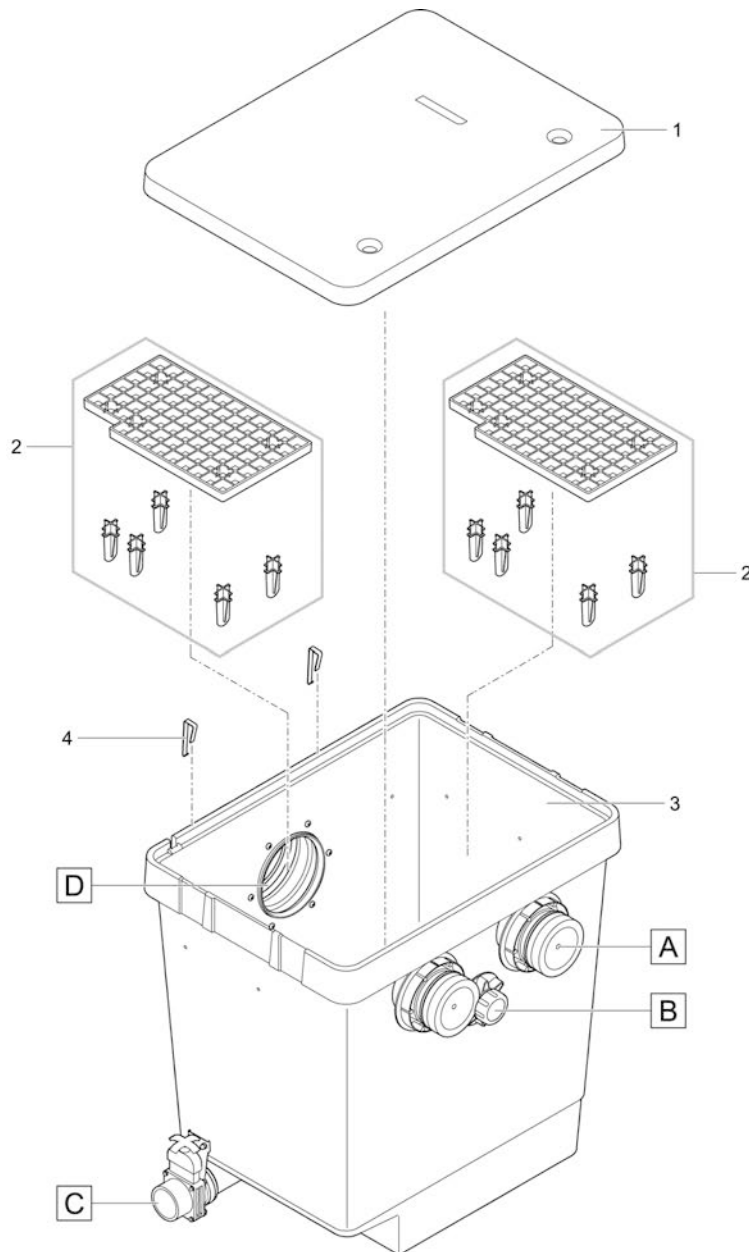
| Pos. | Item no. Product | Product | Item no. Spare part | Spare part | Number |
|------|------------------|--------------------------|---------------------|--|--------|
| 1 | 13742 | Spare pump FP 3500 [INT] | 35771 | ASM pump housing ASE 3500 | 1 |
| | 13745 | Spare pump FP 2500 [INT] | 35770 | ASM pump housing ASE 2500 | 1 |
| | 15329 | Spare pump FP 1500 [INT] | 35769 | ASM pump housing ASE 1500 | 1 |
| 2 | 13742 | Spare pump FP 3500 [INT] | 14364 | Spare rotor pump 3500 ASE x-ring | 1 |
| | 13745 | Spare pump FP 2500 [INT] | 18013 | Spare rotor cpl. ASE 2500 magnetized | 1 |
| | 15329 | Spare pump FP 1500 [INT] | 18012 | Spare rotor cpl. ASE 1500 magnetized | 1 |
| 3 | 13742 | Spare pump FP 3500 [INT] | 13743 | Spare part set conn. parts FP2500-3500 | 1 |
| | 13745 | Spare pump FP 2500 [INT] | | | |
| | 15329 | Spare pump FP 1500 [INT] | | | |
| 4 | 13742 | Spare pump FP 3500 [INT] | 13744 | Spare part set filterhousing FP1500-3500 | 1 |
| | 13745 | Spare pump FP 2500 [INT] | | | |
| | 15329 | Spare pump FP 1500 [INT] | | | |

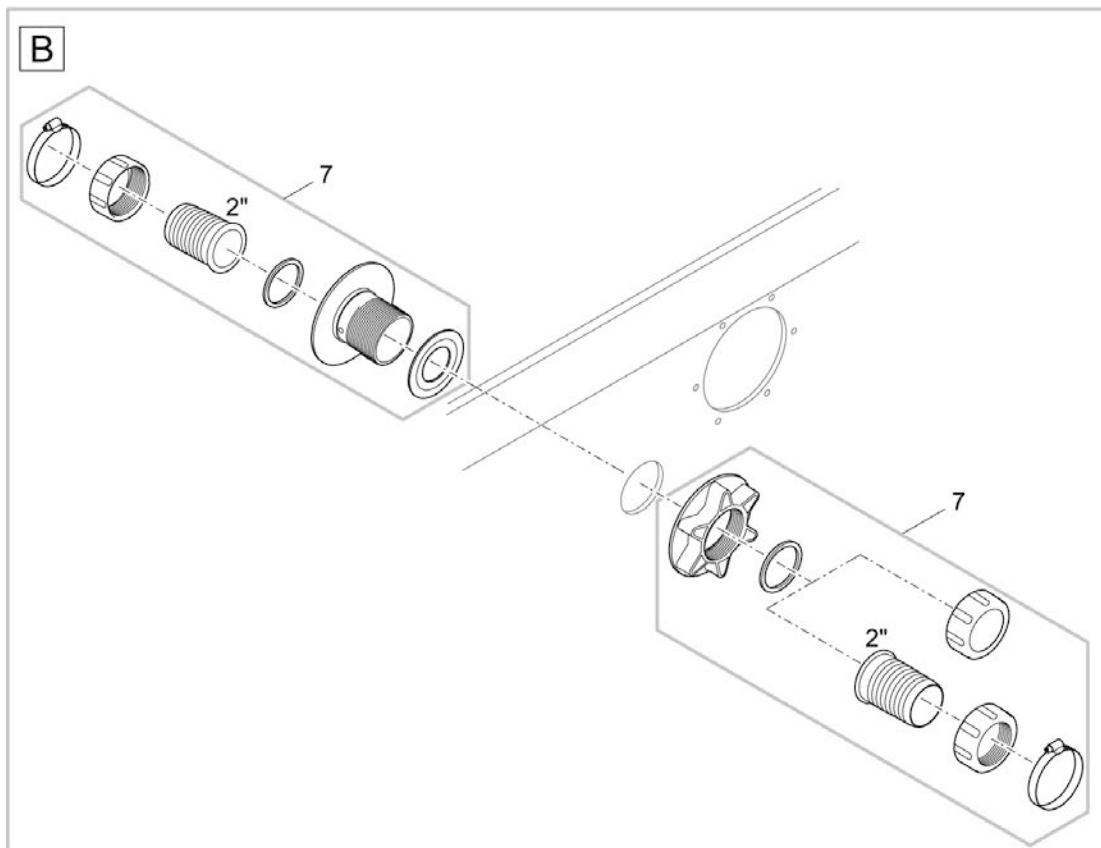
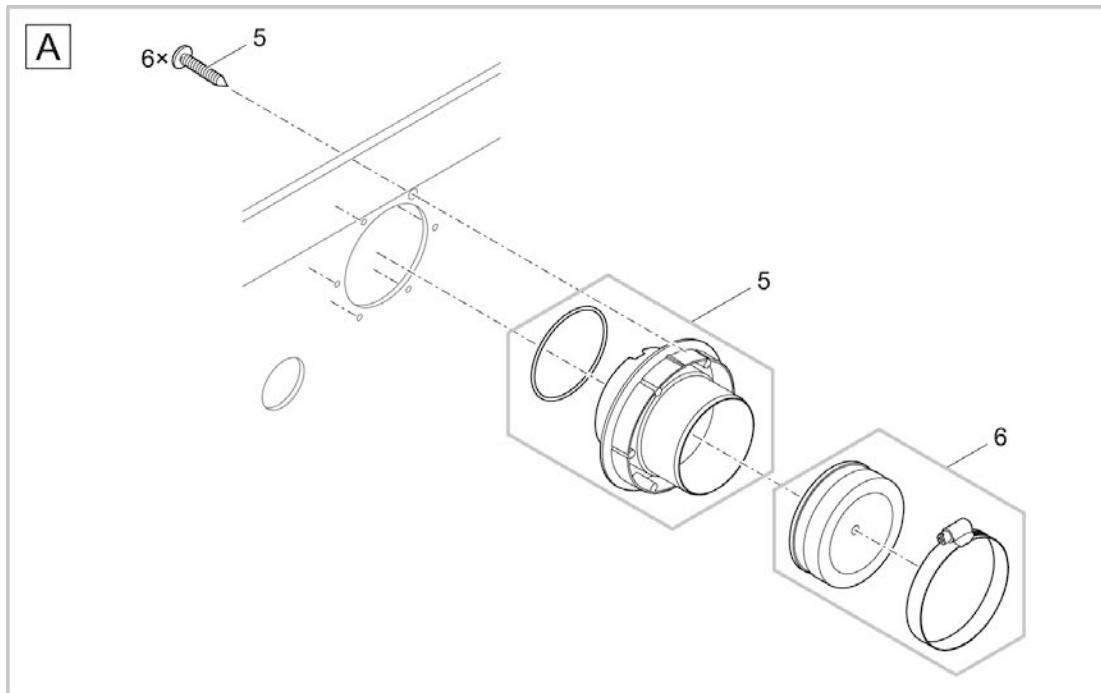
| Item no. | Product |
|----------|------------------|
| 57239 | Spare parts case |

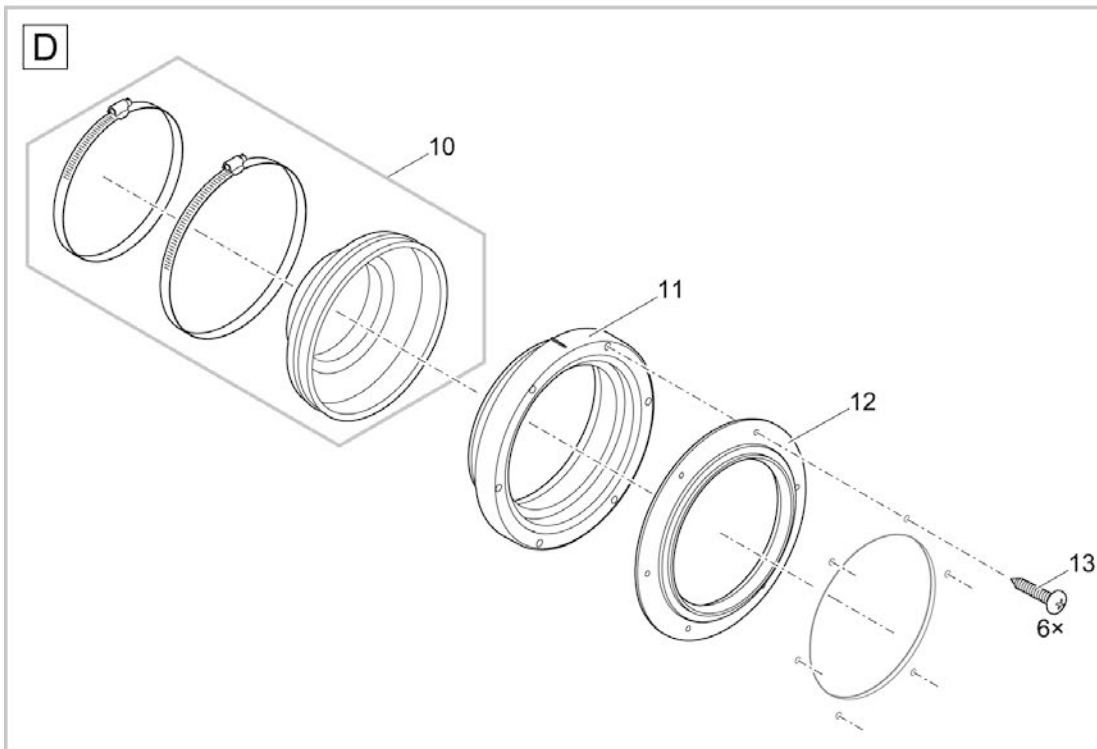
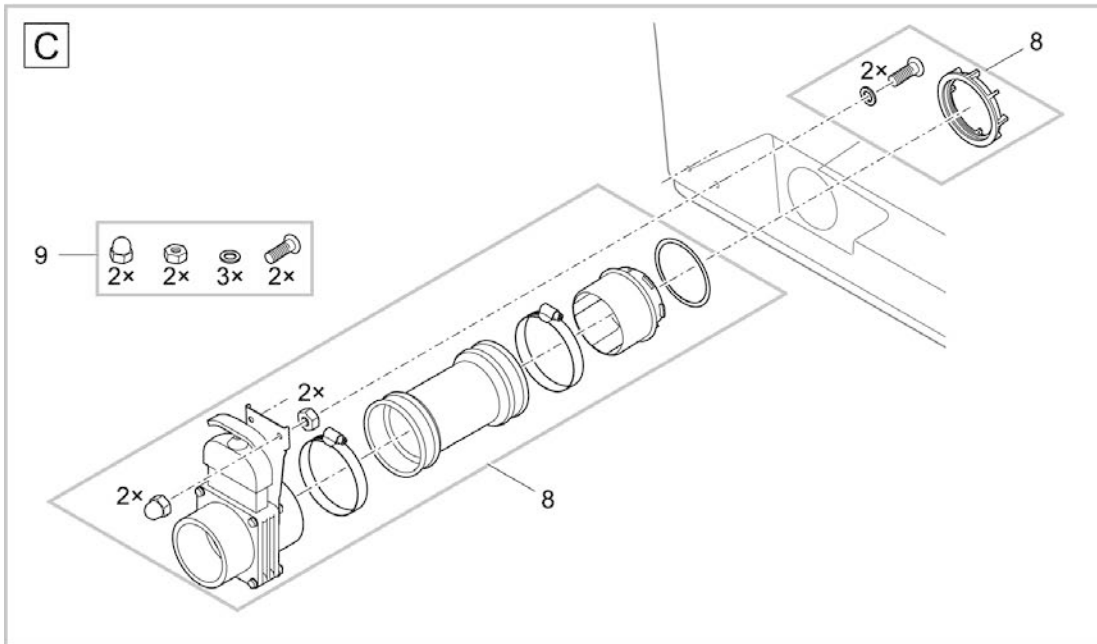


| Pos. | Item no. Product | Product | Item no. Spare part | Spare part | Number |
|------|------------------|------------------------|---------------------|---|--------|
| 1 | 57239 | Spare parts case [INT] | 3560 | O-Ring PN 48 x 4 SH75 | 40 |
| 2 | 57239 | Spare parts case [INT] | 12096 | Coupling nut 1 1/2" | 6 |
| 3 | 57239 | Spare parts case [INT] | 12097 | Retaining nut 2" | 4 |
| 4 | 57239 | Spare parts case [INT] | 19261 | Flat gasket NBR 40 f. outlet 70 | 20 |
| 5 | 57239 | Spare parts case [INT] | 73481 | O-Ring Viton 32 x 4 SH70 greased | 40 |
| 6 | 57239 | Spare parts case [INT] | 19491 | Flat gasket hose tail 1 1/2" | 40 |
| 7 | 57239 | Spare parts case [INT] | 19506 | Flat gasket NBR 60 x 47 x 3 SH40 | 40 |
| 8 | 57239 | Spare parts case [INT] | 24192 | Flat gasket grommet 2" D56.3 x 3 | 40 |
| 9 | 57239 | Spare parts case [INT] | 77773 | O-Ring EPDM-S 330 x 8 SH35 blue | 5 |
| 10 | 57239 | Spare parts case [INT] | 25218 | Stepped hose tail 1 1/2" black | 10 |
| 11 | 57239 | Spare parts case [INT] | 34056 | Stepped hose tail 2" | 5 |
| 12 | 57239 | Spare parts case [INT] | 34585 | Stepped hose tail 1 1/2" black | 5 |
| 13 | 57239 | Spare parts case [INT] | 10569 | hose connector 2" | 6 |
| 14 | 57239 | Spare parts case [INT] | 43669 | Step. grommet 1 1/2" clear 2018 | 5 |
| 15 | 57239 | Spare parts case [INT] | 17584 | Union nut 2" ball blue | 4 |
| 16 | 57239 | Spare parts case [INT] | 25269 | Stepped hose tail - ball | 5 |
| 17 | 57239 | Spare parts case [INT] | 25969 | O-Ring NBR 60 x 2.5 SH70 A | 20 |
| 18 | 57239 | Spare parts case [INT] | 24819 | Flow Indicator Gasket FiltoClear 1 1/2" | 15 |
| 19 | 57239 | Spare parts case [INT] | 15492 | Flow Indicator Gasket FiltoClear 2" | 15 |

| Item no. | Product |
|----------|---|
| 42913 | ProfiClear pump chamber Compact/Classic |

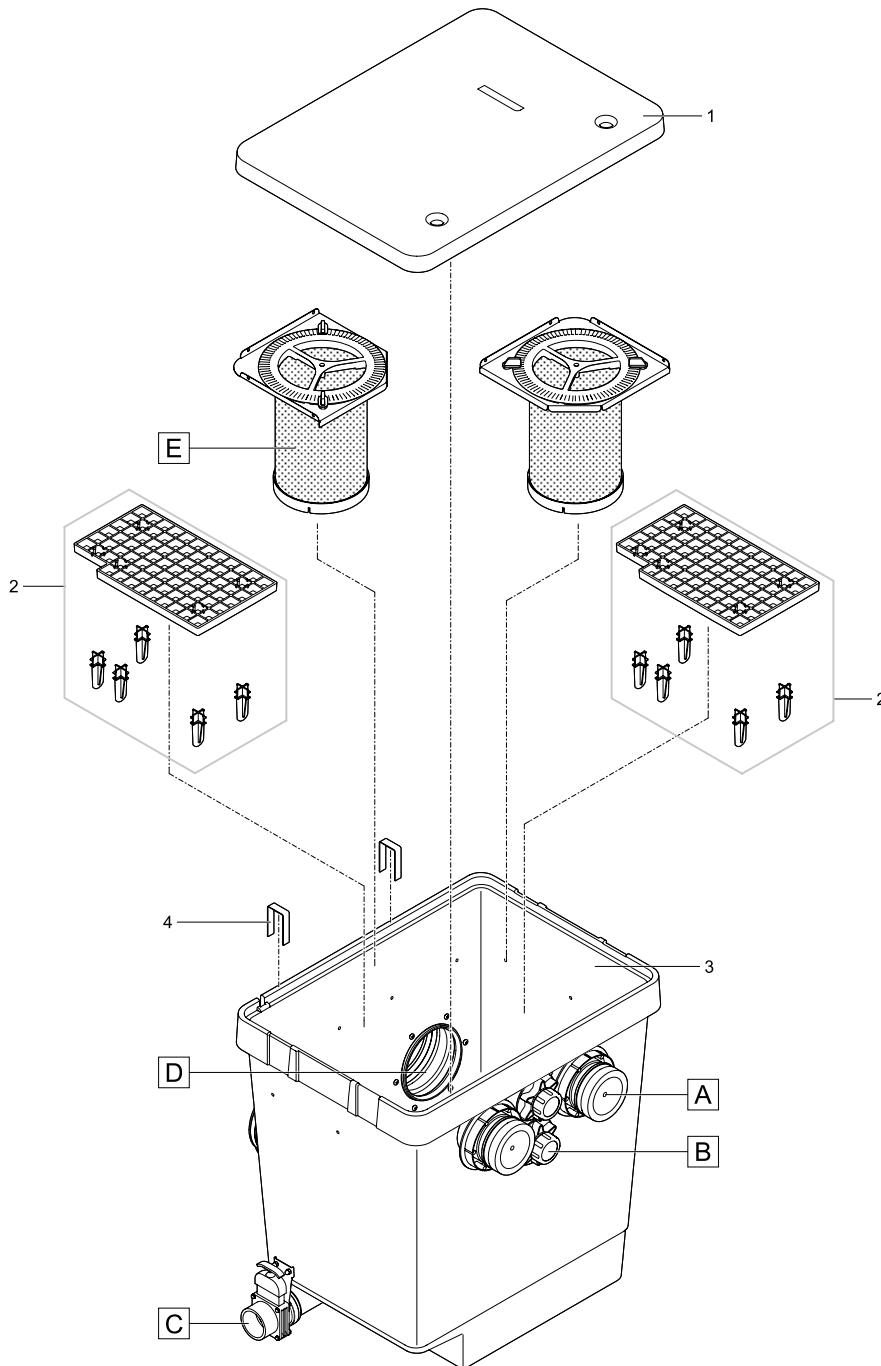


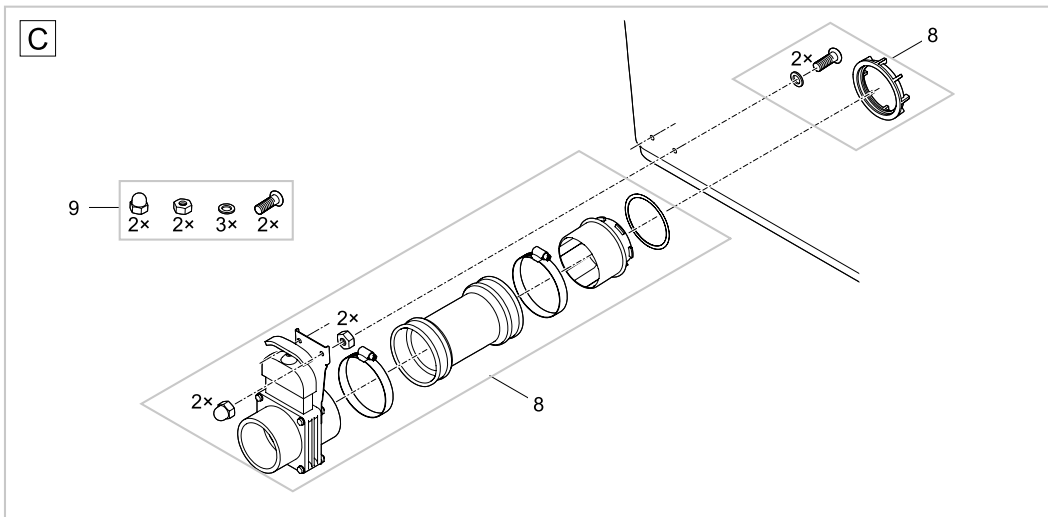
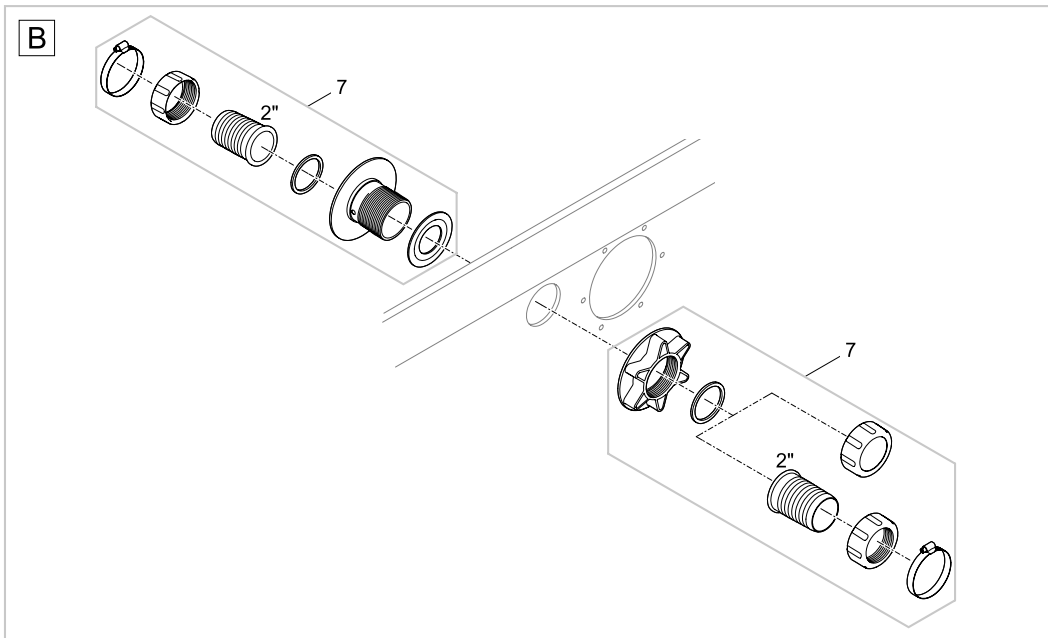
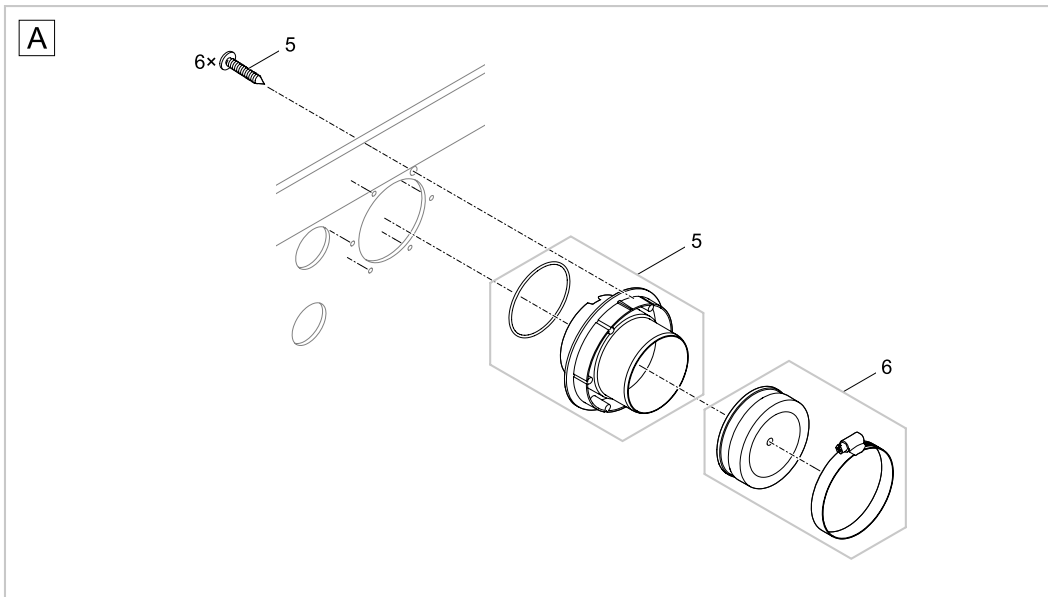


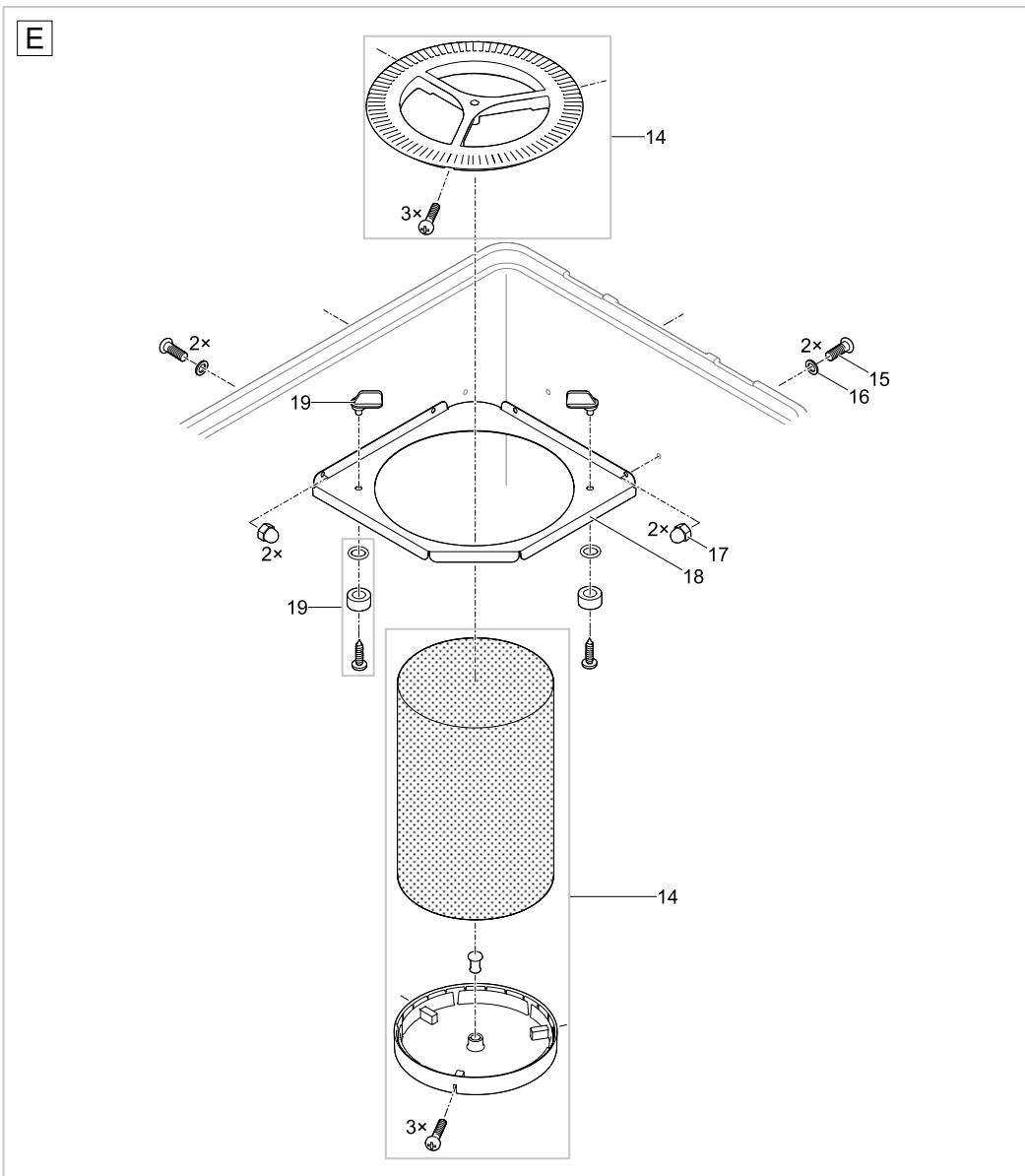
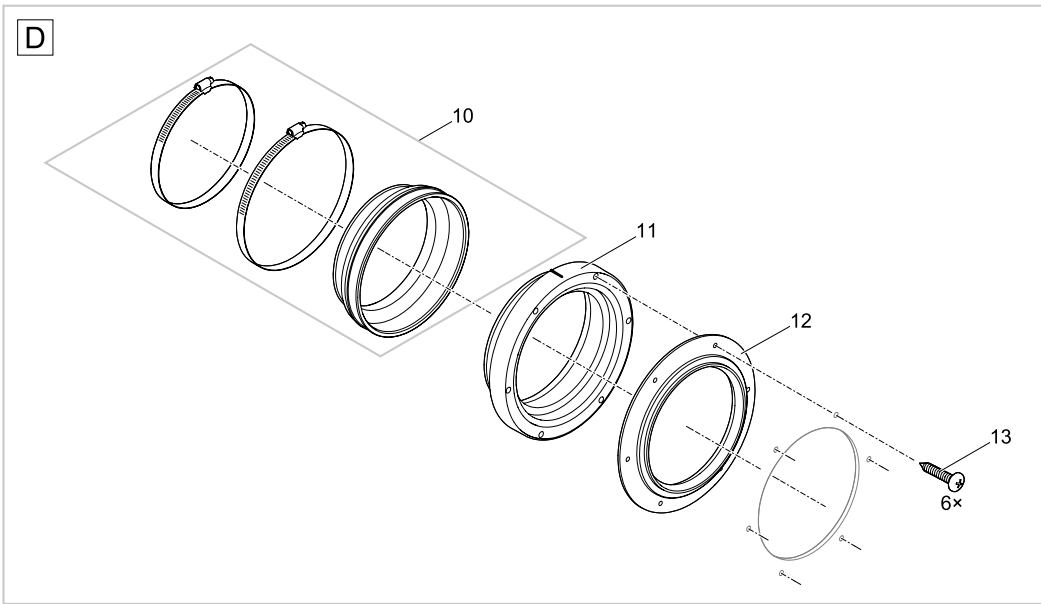


| Pos. | Item no. Product | Product | | Item no. Spare part | Spare part | Number |
|------|---------------------|---|--|------------------------|--|--------|
| 1 | 42913 | ProfiClear pump chamber Compact/Classic [INT] | | 72780 | ASM lid container M / L | 1 |
| 2 | 42913 | ProfiClear pump chamber Compact/Classic [INT] | | 35407 | Spare base screen incl. foot ProfiClear | 1 |
| 3 | 42913 | ProfiClear pump chamber Compact/Classic [INT] | | 42856 | Container ProfiCl. Compact pump chamber | 1 |
| 4 | 42913 | ProfiClear pump chamber Compact/Classic [INT] | | 18842 | Clip drum filter | 1 |
| 5 | 42913 | ProfiClear pump chamber Compact/Classic [INT] | | 19005 | ASM connection set DN 110 | 1 |
| 6 | 42913 | ProfiClear pump chamber Compact/Classic [INT] | | 16387 | Blanking cap DN 110 | 1 |
| 7 | 42913 | ProfiClear pump chamber Compact/Classic [INT] | | 18833 | Spare grommet ProfiClear individual | 1 |
| 8 | 42913 | ProfiClear pump chamber Compact/Classic [INT] | | 18446 | Spare drain DN75 Premium | 1 |
| 9 | 42913 | ProfiClear pump chamber Compact/Classic [INT] | | 18448 | spare screw set drain DN75 Premium | 1 |
| 10 | 42913 | ProfiClear pump chamber Compact/Classic [INT] | | 42980 | ASM rubber bushing D185 on D110 mm | 1 |
| 11 | 42913 | ProfiClear pump chamber Compact/Classic [INT] | | 26987 | Outlet 150/2 ProfiClear M 2 - M 5 | 1 |
| 12 | 42913 | ProfiClear pump chamber Compact/Classic [INT] | | 26957 | Gasket 150 screwed | 1 |
| 13 | 42913 | ProfiClear pump chamber Compact/Classic [INT] | | 27572 | Oval head screw CZ-V2A DIN 7981 6.3 x 32 | 1 |

| Item no. | Product |
|----------|--------------------------------------|
| 50771 | ProfiClear Premium Individual Module |

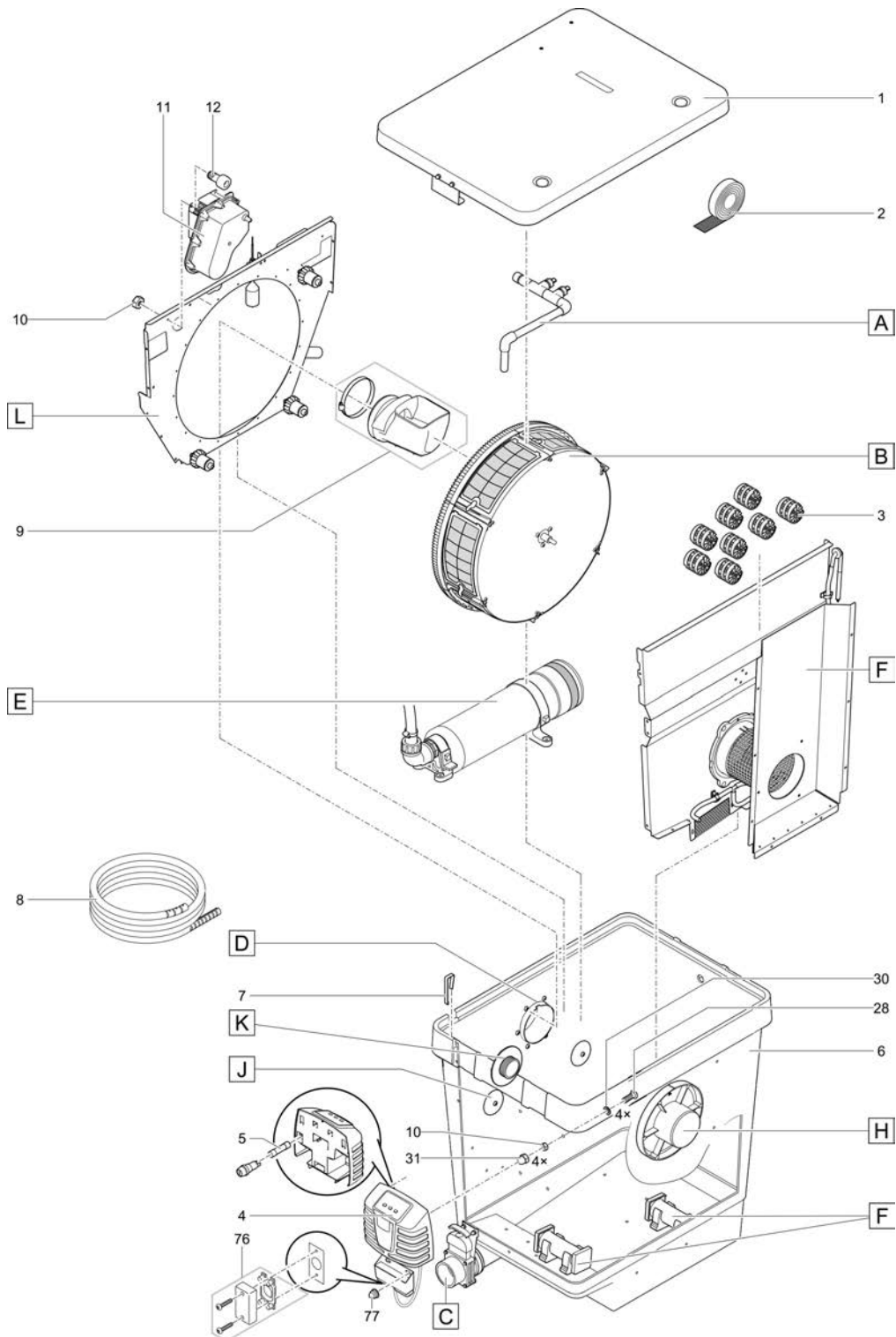


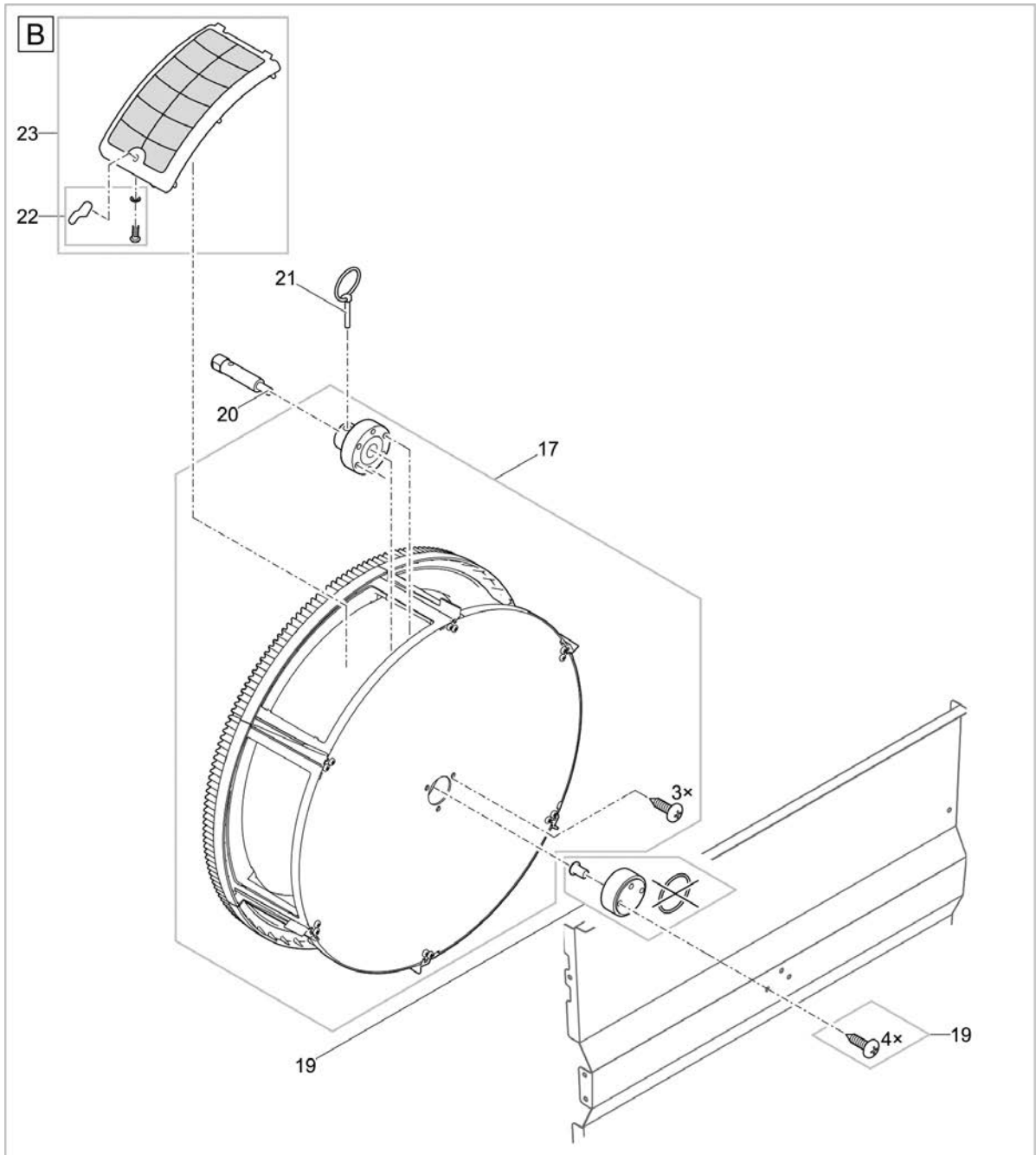
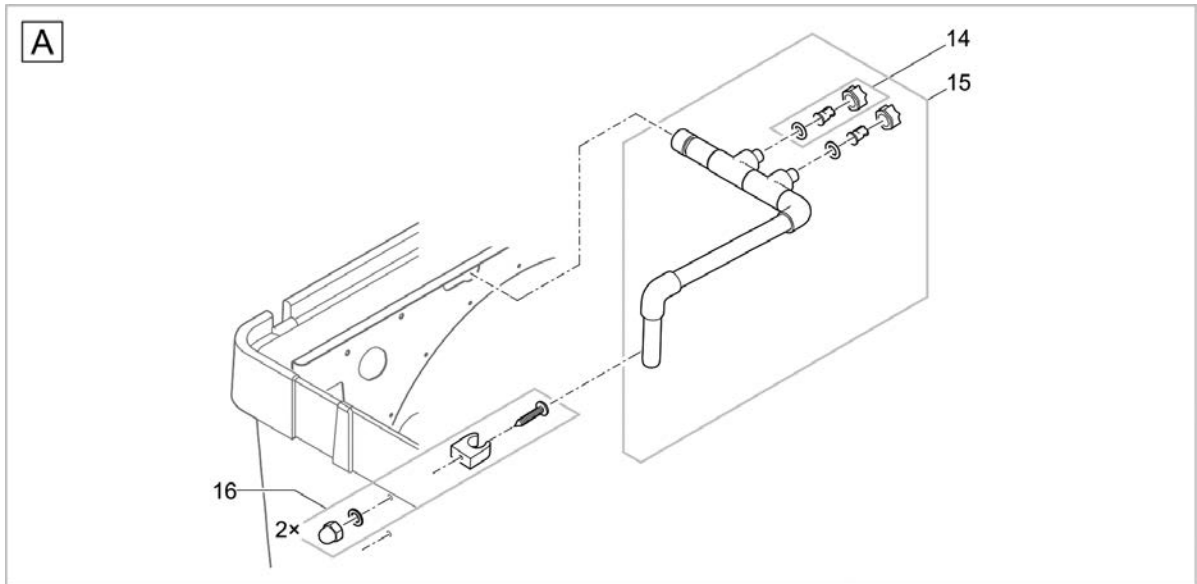


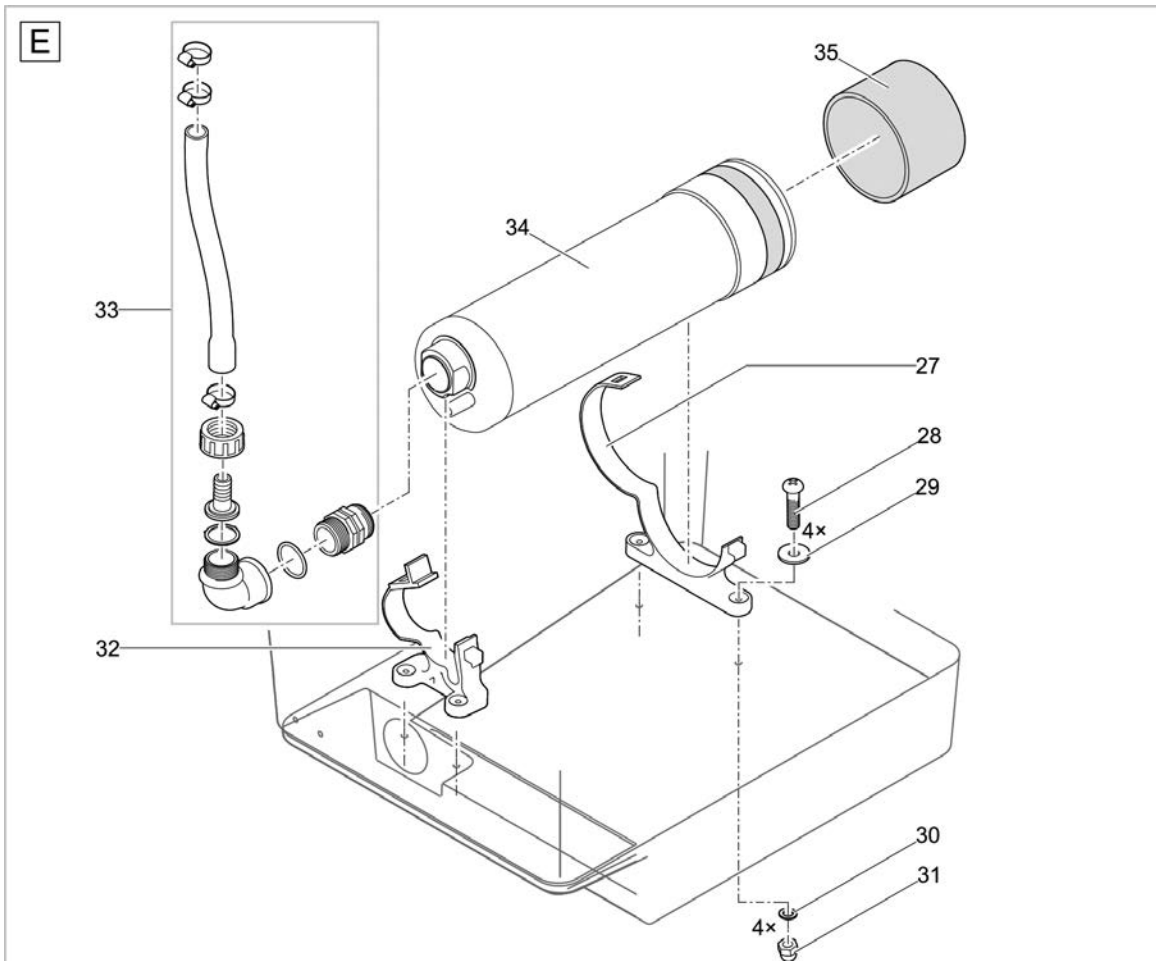
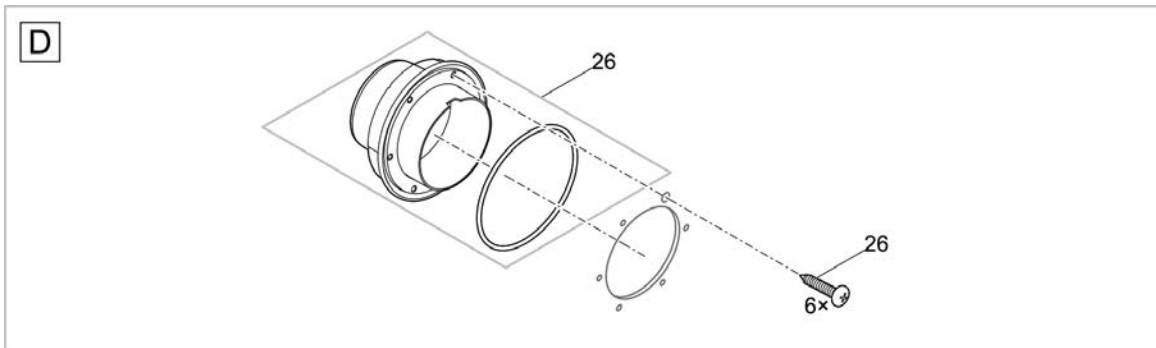
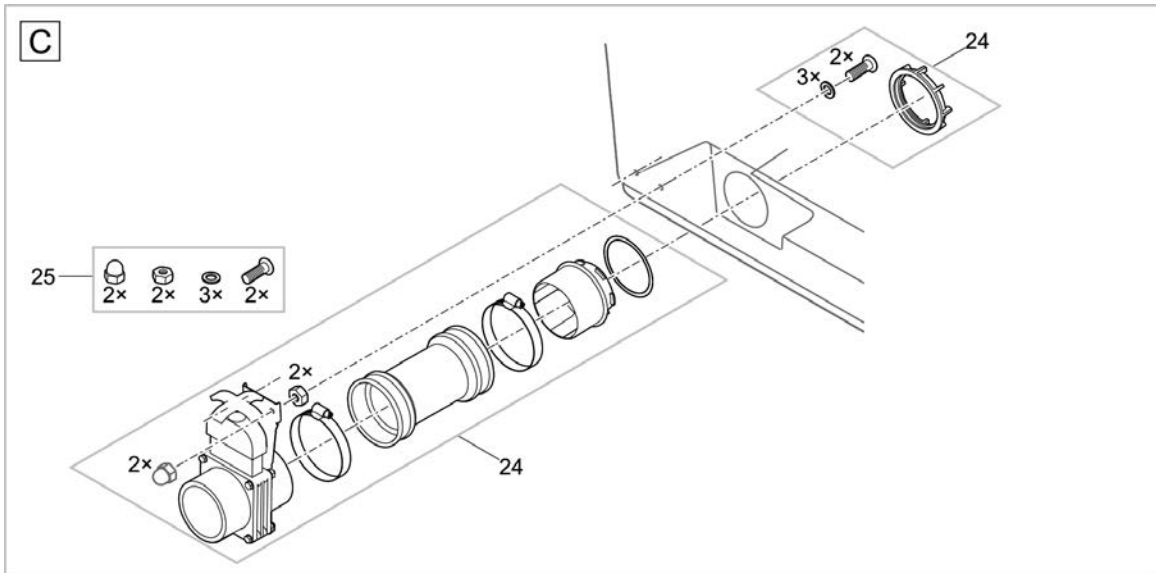


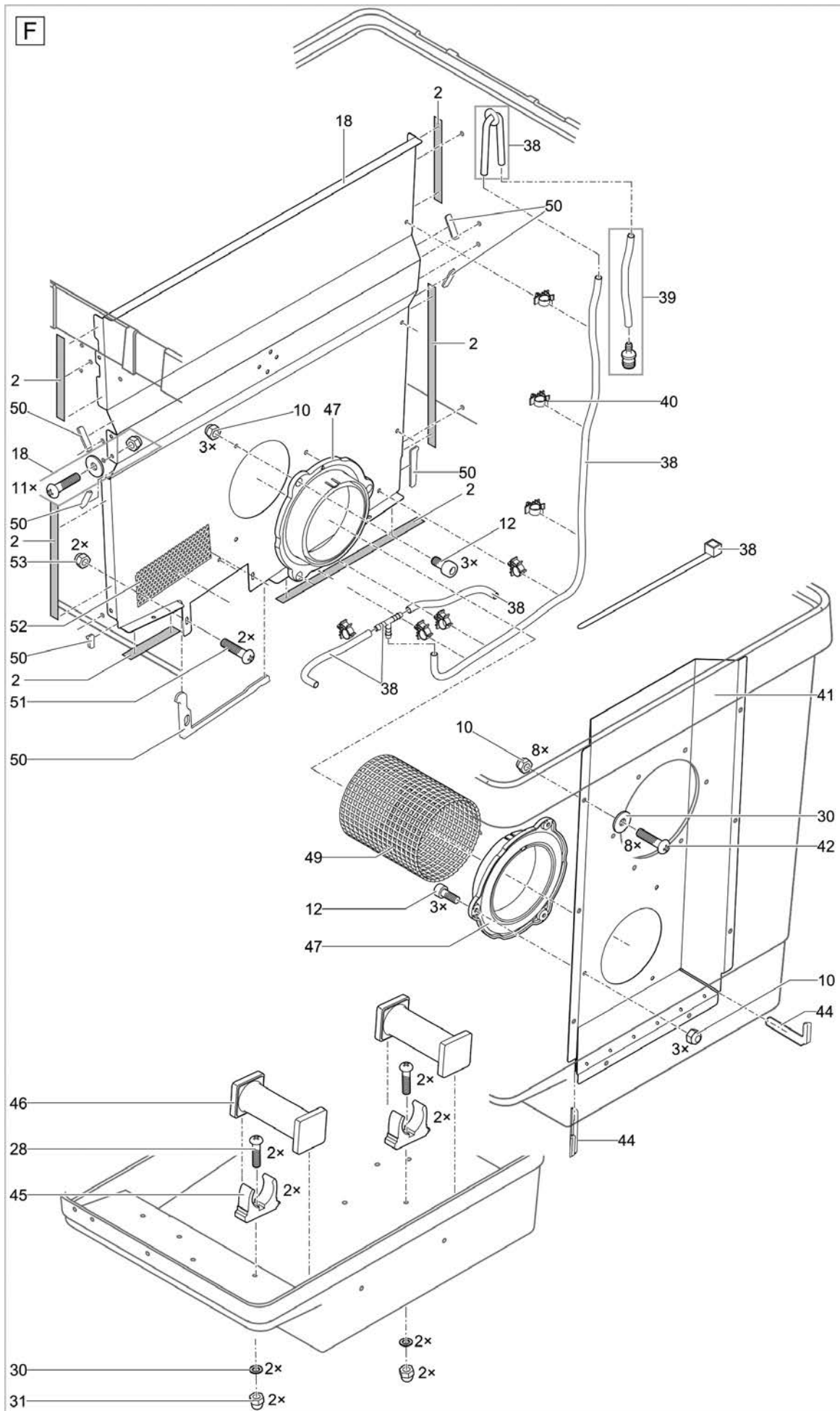
| Pos. | Item no. Product | Product | | Item no. Spare part | Spare part | Number |
|------|---------------------|--------------------------------------|-------|------------------------|--|--------|
| 1 | 50771 | ProfiClear Premium Individual Module | [INT] | 93062 | ASM lid container PCP Classic | 1 |
| 2 | 50771 | ProfiClear Premium Individual Module | [INT] | 35407 | Spare base screen incl. foot ProfiClear | 1 |
| 3 | 50771 | ProfiClear Premium Individual Module | [INT] | 17040 | Container UVC phosphate | 1 |
| 4 | 50771 | ProfiClear Premium Individual Module | [INT] | 18842 | Clip drum filter | 1 |
| 5 | 50771 | ProfiClear Premium Individual Module | [INT] | 19005 | ASM connection set DN 110 | 1 |
| 6 | 50771 | ProfiClear Premium Individual Module | [INT] | 16387 | Blanking cap DN 110 | 1 |
| 7 | 50771 | ProfiClear Premium Individual Module | [INT] | 18833 | Spare grommet ProfiClear individual | 1 |
| 8 | 50771 | ProfiClear Premium Individual Module | [INT] | 18446 | Spare drain DN75 Premium | 1 |
| 9 | 50771 | ProfiClear Premium Individual Module | [INT] | 18448 | spare screw set drain DN75 Premium | 1 |
| 10 | 50771 | ProfiClear Premium Individual Module | [INT] | 17251 | ASM rubber bushing D178 mm | 2 |
| 11 | 50771 | ProfiClear Premium Individual Module | [INT] | 26987 | Outlet 150/2 ProfiClear M 2 - M 5 | 2 |
| 12 | 50771 | ProfiClear Premium Individual Module | [INT] | 43756 | Gasket mesh tube 2016 | 2 |
| 13 | 50771 | ProfiClear Premium Individual Module | [INT] | 27572 | Oval head screw CZ-V2A DIN 7981 6.3 x 32 | 1 |
| 14 | 50771 | ProfiClear Premium Individual Module | [INT] | 18800 | Spare mesh ProfiClear individual module | 1 |
| 15 | 50771 | ProfiClear Premium Individual Module | [INT] | 20292 | Oval head screw V2A DIN 7985 M6 x 12 | 8 |
| 16 | 50771 | ProfiClear Premium Individual Module | [INT] | 20609 | Fiberplate DIN 7603 6 x 12 x 1 mm | 10 |
| 17 | 50771 | ProfiClear Premium Individual Module | [INT] | 6117 | Cap nut V2A DIN 1587 M6 | 8 |
| 18 | 50771 | ProfiClear Premium Individual Module | [INT] | 17534 | Basket holding plate ProfiClear | 2 |
| 19 | 50771 | ProfiClear Premium Individual Module | [INT] | 18812 | Spare cylinder fixing ProfiClear Premium | 1 |

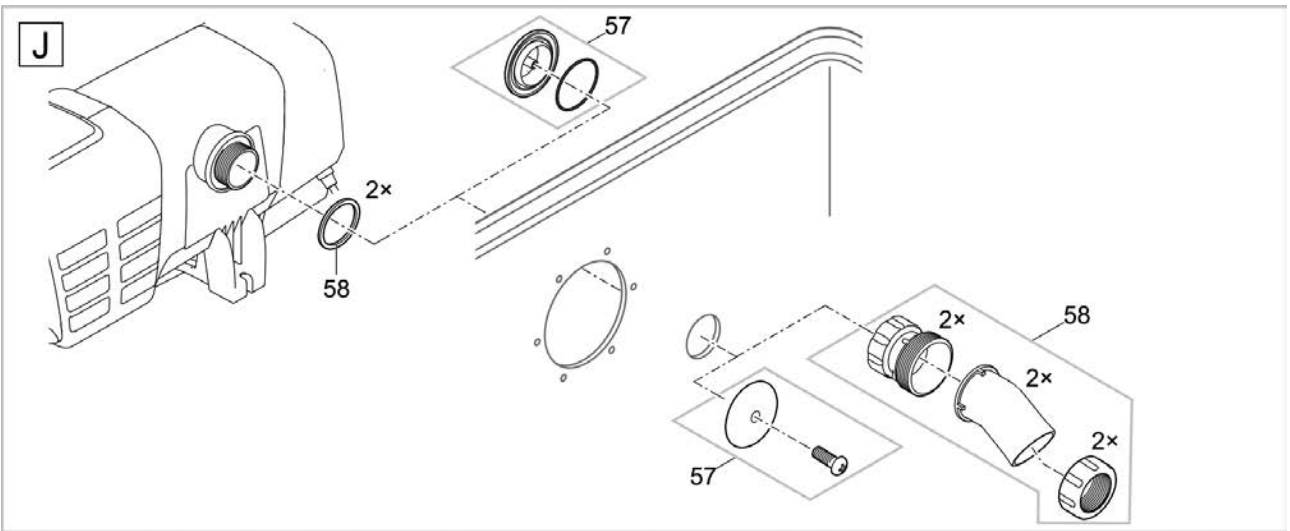
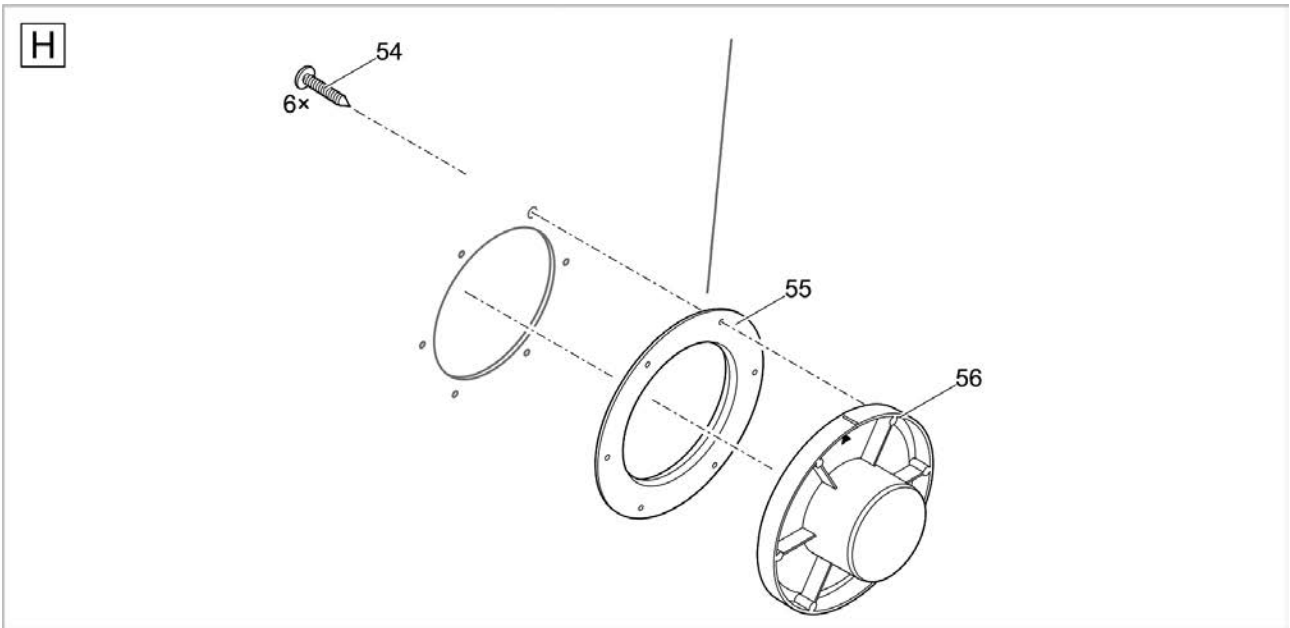
| Item no. | Product |
|----------|---|
| 42906 | ProfiClear Premium Compact pump-fed |
| 47008 | ProfiClear Premium Compact-M pumped OC |
| 42907 | GB ProfiClear Premium Compact pump-fed |
| 47009 | GB ProfiClear Premium Compact-M pumped OC |

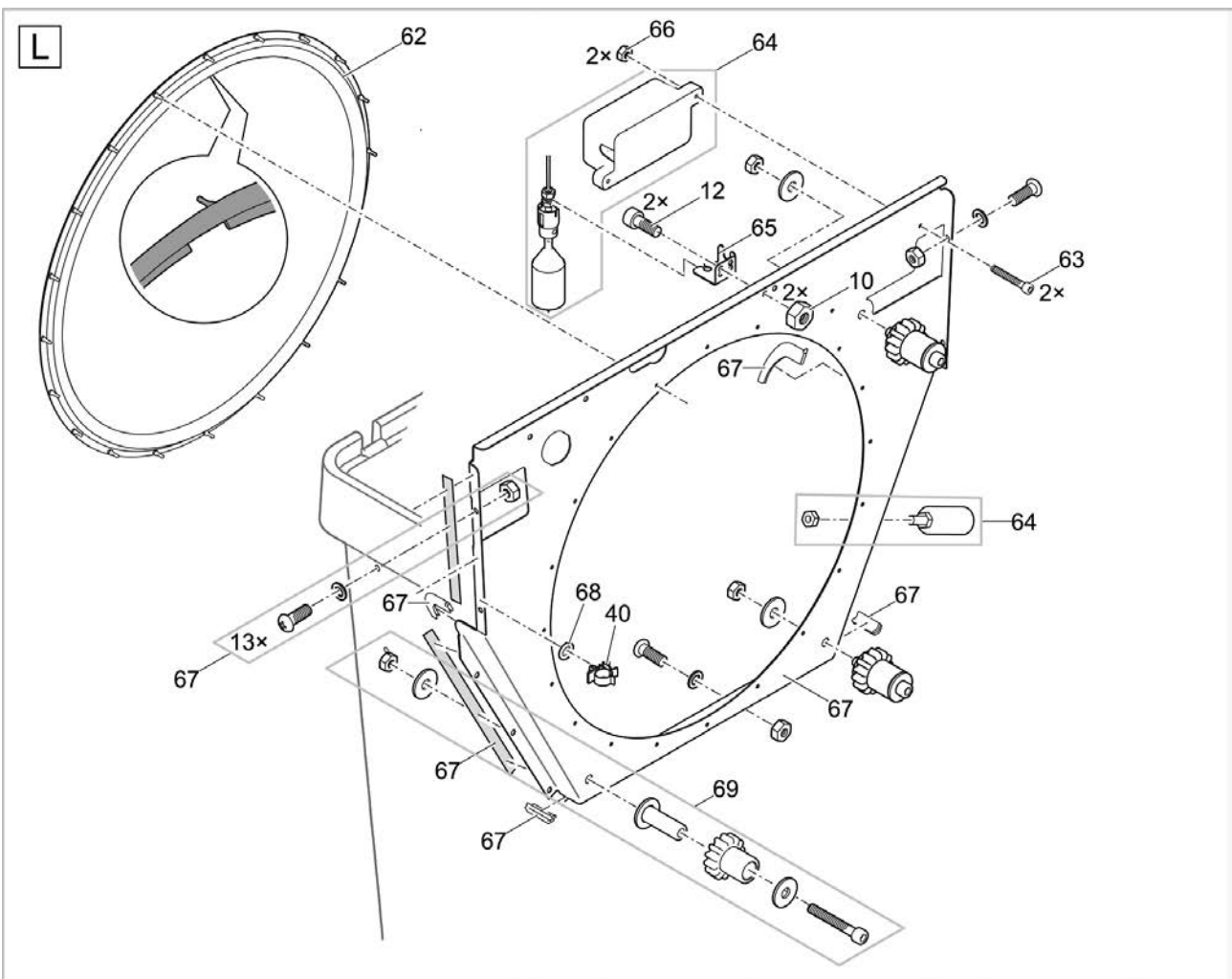
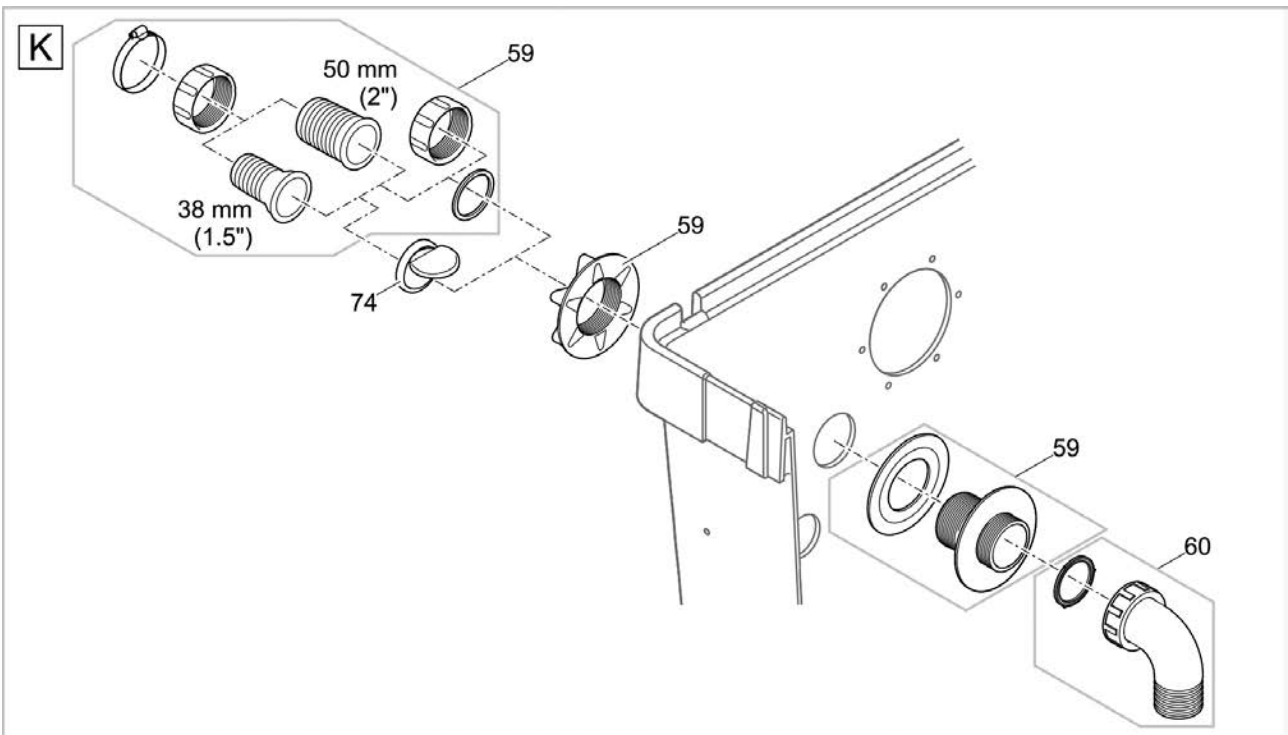












| Pos. | Item no. Product | Product | Item no. Spare part | Spare part | Number |
|------|---------------------|--|------------------------|--|--------|
| 1 | 42906 | ProfiClear Premium Compact pump-fed [INT] | 18795 | Spare part lid cpl. drum filter | 1 |
| | 42907 | ProfiClear Premium Compact pump-fed [GB] | | | |
| | 47008 | ProfiClear Premium Compact-M pumped OC [INT] | | | |
| | 47009 | ProfiClear Premium Compact-M pumped OC [GB] | | | |
| 2 | 42906 | ProfiClear Premium Compact pump-fed [INT] | 21981 | Spare cover gasket seal drum filter | 1 |
| | 42907 | ProfiClear Premium Compact pump-fed [GB] | | | |
| | 47008 | ProfiClear Premium Compact-M pumped OC [INT] | | | |
| | 47009 | ProfiClear Premium Compact-M pumped OC [GB] | | | |
| 3 | 42906 | ProfiClear Premium Compact pump-fed [INT] | 43383 | Add. pack Hel-X 13 mm 20 l | 2 |
| | 42907 | ProfiClear Premium Compact pump-fed [GB] | | | |
| | 47008 | ProfiClear Premium Compact-M pumped OC [INT] | | | |
| 4 | 42906 | ProfiClear Premium Compact pump-fed [INT] | 93818 | Spare controller drum filter M/L | 1 |
| | 42907 | ProfiClear Premium Compact pump-fed [GB] | | | |
| | 47008 | ProfiClear Premium Compact-M pumped OC [INT] | | | |
| | 47009 | ProfiClear Premium Compact-M pumped OC [GB] | | | |
| 5 | 42906 | ProfiClear Premium Compact pump-fed [INT] | 18692 | Fuse T8A 250 V | 1 |
| | 42907 | ProfiClear Premium Compact pump-fed [GB] | | | |
| | 47008 | ProfiClear Premium Compact-M pumped OC [INT] | | | |
| | 47009 | ProfiClear Premium Compact-M pumped OC [GB] | | | |
| 6 | 42906 | ProfiClear Premium Compact pump-fed [INT] | 42855 | Container ProfiClear Compact pump-fed | 1 |
| | 42907 | ProfiClear Premium Compact pump-fed [GB] | | | |
| | 47008 | ProfiClear Premium Compact-M pumped OC [INT] | | | |
| | 47009 | ProfiClear Premium Compact-M pumped OC [GB] | | | |
| 7 | 42906 | ProfiClear Premium Compact pump-fed [INT] | 18842 | Clip drum filter | 1 |
| | 42907 | ProfiClear Premium Compact pump-fed [GB] | | | |
| | 47008 | ProfiClear Premium Compact-M pumped OC [INT] | | | |
| | 47009 | ProfiClear Premium Compact-M pumped OC [GB] | | | |
| 8 | 42906 | ProfiClear Premium Compact pump-fed [INT] | 90118 | Spare cable protection 0.85 m | 1 |
| | 42907 | ProfiClear Premium Compact pump-fed [GB] | | | |
| | 47008 | ProfiClear Premium Compact-M pumped OC [INT] | | | |
| | 47009 | ProfiClear Premium Compact-M pumped OC [GB] | | | |
| 9 | 42906 | ProfiClear Premium Compact pump-fed [INT] | 40022 | ASM waste channel BioTec Premium 80000 | 1 |
| | 42907 | ProfiClear Premium Compact pump-fed [GB] | | | |
| | 47008 | ProfiClear Premium Compact-M pumped OC [INT] | | | |
| | 47009 | ProfiClear Premium Compact-M pumped OC [GB] | | | |
| 10 | 42906 | ProfiClear Premium Compact pump-fed [INT] | 6128 | Lock nut V2A DIN 985 M6 | 42 |
| | 42907 | ProfiClear Premium Compact pump-fed [GB] | | | |
| | 47008 | ProfiClear Premium Compact-M pumped OC [INT] | | | |
| | 47009 | ProfiClear Premium Compact-M pumped OC [GB] | | | |
| 11 | 42906 | ProfiClear Premium Compact pump-fed [INT] | 72198 | Spare ASM drum motor pump-fed | 1 |
| | 42907 | ProfiClear Premium Compact pump-fed [GB] | | | |
| | 47008 | ProfiClear Premium Compact-M pumped OC [INT] | | | |
| | 47009 | ProfiClear Premium Compact-M pumped OC [GB] | | | |
| 12 | 42906 | ProfiClear Premium Compact pump-fed [INT] | 15596 | Screw V4A DIN 912 M6 x 10 | 10 |
| | 42907 | ProfiClear Premium Compact pump-fed [GB] | | | |
| | 47008 | ProfiClear Premium Compact-M pumped OC [INT] | | | |
| | 47009 | ProfiClear Premium Compact-M pumped OC [GB] | | | |

| Pos. | Item no. Product | Product | Item no. Spare part | Spare part | Number |
|------|---------------------|--|------------------------|---|--------|
| 14 | 42906 | ProfiClear Premium Compact pump-fed [INT] | 44231 | Spare nozzle ProfiClear Premium Compact | 1 |
| | 42907 | ProfiClear Premium Compact pump-fed [GB] | | | |
| | 47008 | ProfiClear Premium Compact-M pumped OC [INT] | | | |
| | 47009 | ProfiClear Premium Compact-M pumped OC [GB] | | | |
| 15 | 42906 | ProfiClear Premium Compact pump-fed [INT] | 49841 | ASM cleaning tube Compact M inject | 1 |
| | 42907 | ProfiClear Premium Compact pump-fed [GB] | | | |
| | 47008 | ProfiClear Premium Compact-M pumped OC [INT] | | | |
| | 47009 | ProfiClear Premium Compact-M pumped OC [GB] | | | |
| 16 | 42906 | ProfiClear Premium Compact pump-fed [INT] | 41472 | Spare hose bracket BioTec / Compact | 1 |
| | 42907 | ProfiClear Premium Compact pump-fed [GB] | | | |
| | 47008 | ProfiClear Premium Compact-M pumped OC [INT] | | | |
| | 47009 | ProfiClear Premium Compact-M pumped OC [GB] | | | |
| 17 | 42906 | ProfiClear Premium Compact pump-fed [INT] | 41476 | Spare drum BioTec / Compact | 1 |
| | 42907 | ProfiClear Premium Compact pump-fed [GB] | | | |
| | 47008 | ProfiClear Premium Compact-M pumped OC [INT] | | | |
| | 47009 | ProfiClear Premium Compact-M pumped OC [GB] | | | |
| 18 | 42906 | ProfiClear Premium Compact pump-fed [INT] | 42858 | Middle sep. wall ProfiCl. Compact | 1 |
| | 42907 | ProfiClear Premium Compact pump-fed [GB] | | | |
| | 47008 | ProfiClear Premium Compact-M pumped OC [INT] | | | |
| | 47009 | ProfiClear Premium Compact-M pumped OC [GB] | | | |
| 19 | 42906 | ProfiClear Premium Compact pump-fed [INT] | 18791 | Spare drum bearing drum filter | 1 |
| | 42907 | ProfiClear Premium Compact pump-fed [GB] | | | |
| | 47008 | ProfiClear Premium Compact-M pumped OC [INT] | | | |
| | 47009 | ProfiClear Premium Compact-M pumped OC [GB] | | | |
| 20 | 42906 | ProfiClear Premium Compact pump-fed [INT] | 16288 | Drum shaft | 1 |
| | 42907 | ProfiClear Premium Compact pump-fed [GB] | | | |
| | 47008 | ProfiClear Premium Compact-M pumped OC [INT] | | | |
| | 47009 | ProfiClear Premium Compact-M pumped OC [GB] | | | |
| 21 | 42906 | ProfiClear Premium Compact pump-fed [INT] | 19515 | Locking pin V2A DIN 11023 - 6 mm | 1 |
| | 42907 | ProfiClear Premium Compact pump-fed [GB] | | | |
| | 47008 | ProfiClear Premium Compact-M pumped OC [INT] | | | |
| | 47009 | ProfiClear Premium Compact-M pumped OC [GB] | | | |
| 22 | 42906 | ProfiClear Premium Compact pump-fed [INT] | 41889 | Spare clip drum filter | 1 |
| | 42907 | ProfiClear Premium Compact pump-fed [GB] | | | |
| | 47008 | ProfiClear Premium Compact-M pumped OC [INT] | | | |
| | 47009 | ProfiClear Premium Compact-M pumped OC [GB] | | | |
| 23 | 42906 | ProfiClear Premium Compact pump-fed [INT] | 44227 | Spare sieve ProfiClear Compact 80µm | 1 |
| | 42907 | ProfiClear Premium Compact pump-fed [GB] | | | |
| | 47008 | ProfiClear Premium Compact-M pumped OC [INT] | | | |
| | 47009 | ProfiClear Premium Compact-M pumped OC [GB] | | | |
| 24 | 42906 | ProfiClear Premium Compact pump-fed [INT] | 18446 | Spare drain DN75 Premium | 1 |
| | 42907 | ProfiClear Premium Compact pump-fed [GB] | | | |
| | 47008 | ProfiClear Premium Compact-M pumped OC [INT] | | | |
| | 47009 | ProfiClear Premium Compact-M pumped OC [GB] | | | |
| 25 | 42906 | ProfiClear Premium Compact pump-fed [INT] | 18448 | spare screw set drain DN75 Premium | 1 |
| | 42907 | ProfiClear Premium Compact pump-fed [GB] | | | |
| | 47008 | ProfiClear Premium Compact-M pumped OC [INT] | | | |
| | 47009 | ProfiClear Premium Compact-M pumped OC [GB] | | | |

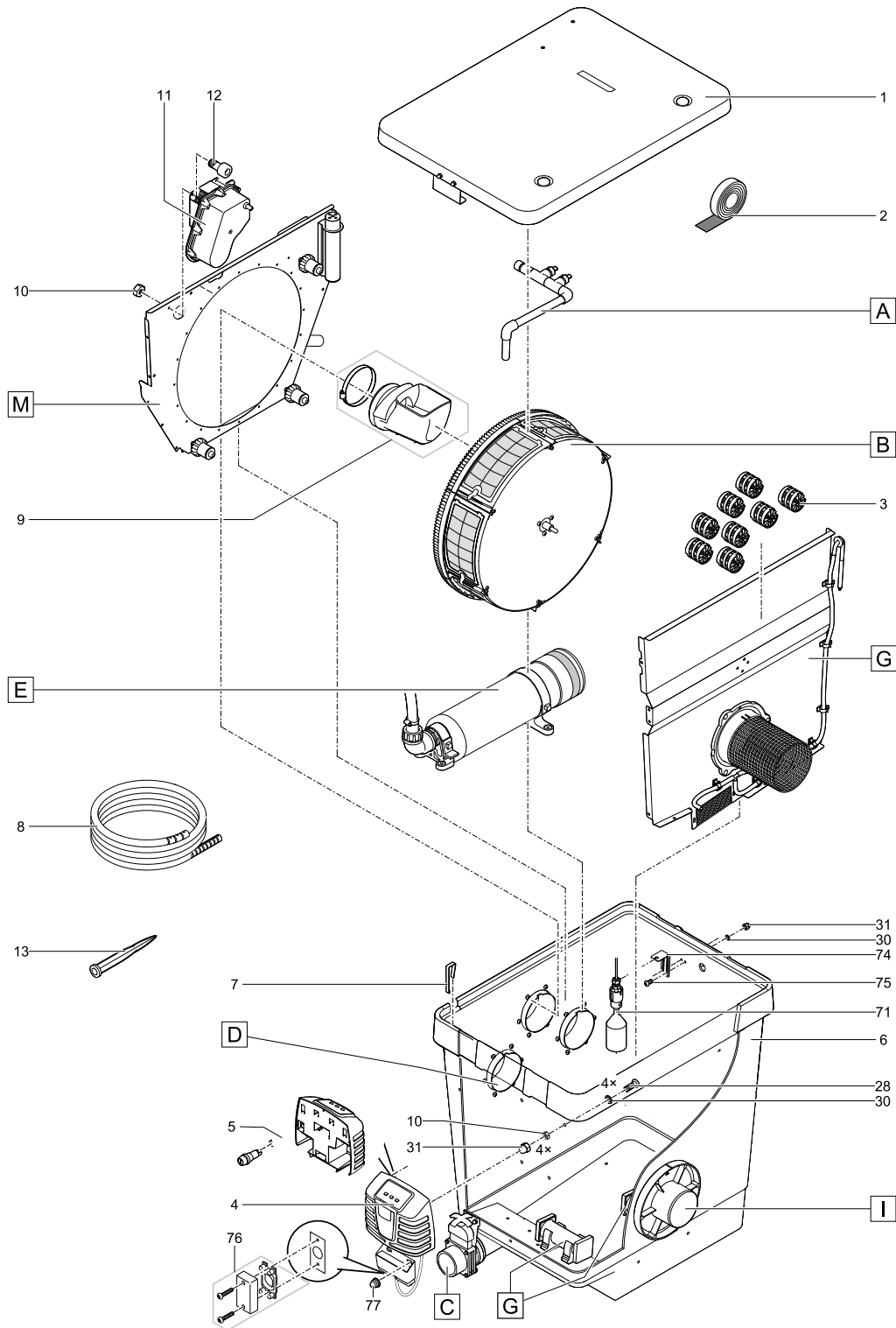
| Pos. | Item no. Product | Product | Item no. Spare part | Spare part | Number |
|------|---------------------|--|------------------------|--|--------|
| 26 | 42906 | ProfiClear Premium Compact pump-fed [INT] | 19005 | ASM connection set DN 110 | 1 |
| | 42907 | ProfiClear Premium Compact pump-fed [GB] | | | |
| | 47008 | ProfiClear Premium Compact-M pumped OC [INT] | | | |
| | 47009 | ProfiClear Premium Compact-M pumped OC [GB] | | | |
| 27 | 42906 | ProfiClear Premium Compact pump-fed [INT] | 40114 | Fastening kit rinse pump rear | 1 |
| | 42907 | ProfiClear Premium Compact pump-fed [GB] | | | |
| | 47008 | ProfiClear Premium Compact-M pumped OC [INT] | | | |
| | 47009 | ProfiClear Premium Compact-M pumped OC [GB] | | | |
| 28 | 42906 | ProfiClear Premium Compact pump-fed [INT] | 17918 | Oval head screw V2A DIN 7985 M6 x 25 | 12 |
| | 42907 | ProfiClear Premium Compact pump-fed [GB] | | | 16 |
| | 47008 | ProfiClear Premium Compact-M pumped OC [INT] | | | 16 |
| | 47009 | ProfiClear Premium Compact-M pumped OC [GB] | | | |
| 29 | 42906 | ProfiClear Premium Compact pump-fed [INT] | 6143 | Washer VA DIN 9021 6.4 | 4 |
| | 42907 | ProfiClear Premium Compact pump-fed [GB] | | | |
| | 47008 | ProfiClear Premium Compact-M pumped OC [INT] | | | |
| | 47009 | ProfiClear Premium Compact-M pumped OC [GB] | | | |
| 30 | 42906 | ProfiClear Premium Compact pump-fed [INT] | 20609 | Fiberplate DIN 7603 6 x 12 x 1 mm | 46 |
| | 42907 | ProfiClear Premium Compact pump-fed [GB] | | | 52 |
| | 47008 | ProfiClear Premium Compact-M pumped OC [INT] | | | 52 |
| | 47009 | ProfiClear Premium Compact-M pumped OC [GB] | | | |
| 31 | 42906 | ProfiClear Premium Compact pump-fed [INT] | 6117 | Cap nut V2A DIN 1587 M6 | 16 |
| | 42907 | ProfiClear Premium Compact pump-fed [GB] | | | 20 |
| | 47008 | ProfiClear Premium Compact-M pumped OC [INT] | | | 20 |
| | 47009 | ProfiClear Premium Compact-M pumped OC [GB] | | | |
| 32 | 42906 | ProfiClear Premium Compact pump-fed [INT] | 40074 | Fastening kit rinse pump front | 1 |
| | 42907 | ProfiClear Premium Compact pump-fed [GB] | | | |
| | 47008 | ProfiClear Premium Compact-M pumped OC [INT] | | | |
| | 47009 | ProfiClear Premium Compact-M pumped OC [GB] | | | |
| 33 | 42906 | ProfiClear Premium Compact pump-fed [INT] | 41479 | Spare connector waste pump BioTec/Comp. | 1 |
| | 42907 | ProfiClear Premium Compact pump-fed [GB] | | | |
| | 47008 | ProfiClear Premium Compact-M pumped OC [INT] | | | |
| | 47009 | ProfiClear Premium Compact-M pumped OC [GB] | | | |
| 34 | 42906 | ProfiClear Premium Compact pump-fed [INT] | 40075 | Rinse pump 4 bar - 2 m cable | 1 |
| | 42907 | ProfiClear Premium Compact pump-fed [GB] | | | |
| | 47008 | ProfiClear Premium Compact-M pumped OC [INT] | | | |
| | 47009 | ProfiClear Premium Compact-M pumped OC [GB] | | | |
| 35 | 42906 | ProfiClear Premium Compact pump-fed [INT] | 18943 | Pre-filter rinse pump | 1 |
| | 42907 | ProfiClear Premium Compact pump-fed [GB] | | | |
| | 47008 | ProfiClear Premium Compact-M pumped OC [INT] | | | |
| | 47009 | ProfiClear Premium Compact-M pumped OC [GB] | | | |
| 38 | 42906 | ProfiClear Premium Compact pump-fed [INT] | 44324 | Spare connection air stone Compact | 1 |
| | 42907 | ProfiClear Premium Compact pump-fed [GB] | | | |
| | 47008 | ProfiClear Premium Compact-M pumped OC [INT] | | | |
| | 47009 | ProfiClear Premium Compact-M pumped OC [GB] | | | |
| 39 | 42906 | ProfiClear Premium Compact pump-fed [INT] | 42890 | Add. pack air connector ProfiCl. Compact | 1 |
| | 42907 | ProfiClear Premium Compact pump-fed [GB] | | | |
| | 47008 | ProfiClear Premium Compact-M pumped OC [INT] | | | |
| | 47009 | ProfiClear Premium Compact-M pumped OC [GB] | | | |

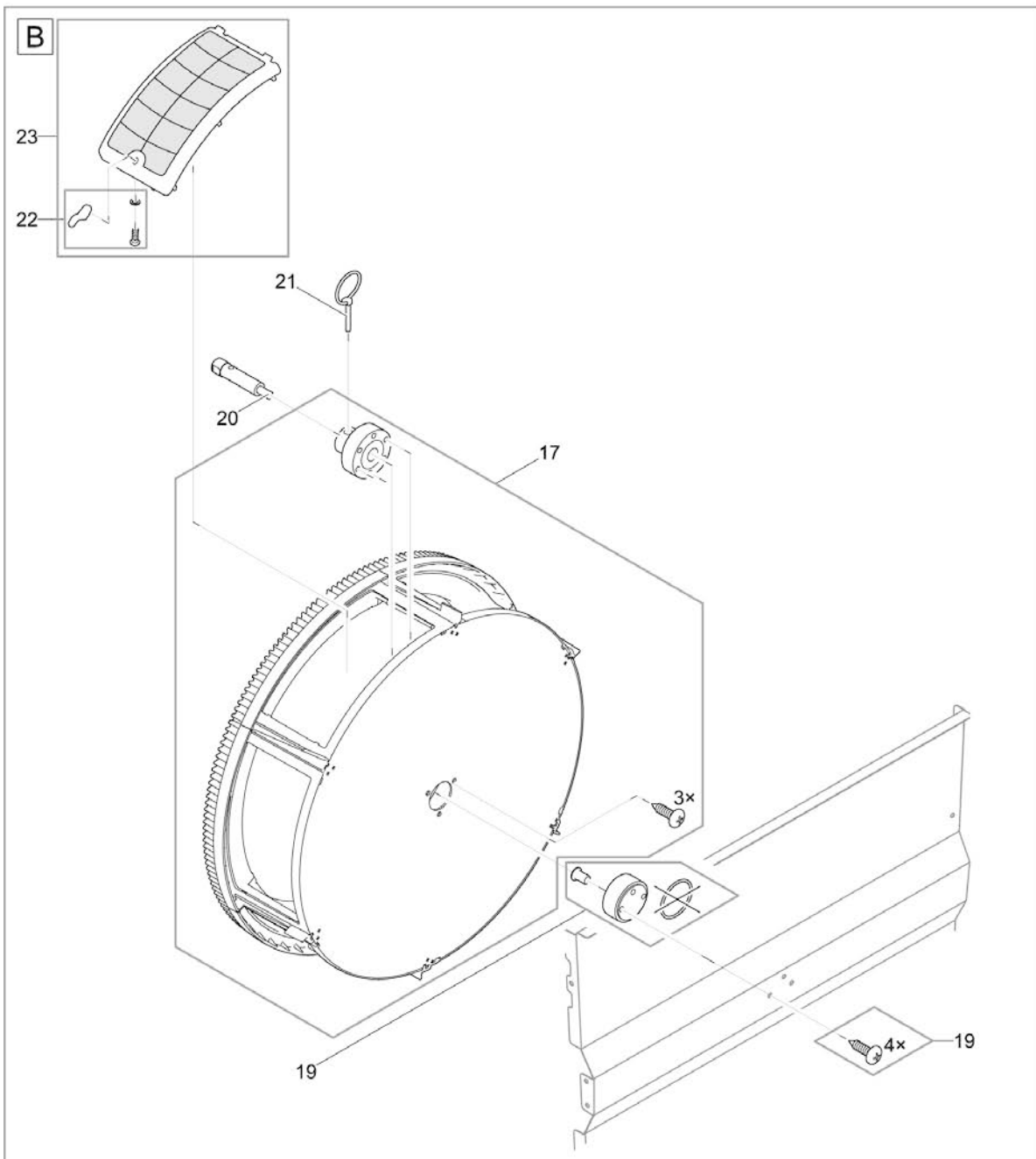
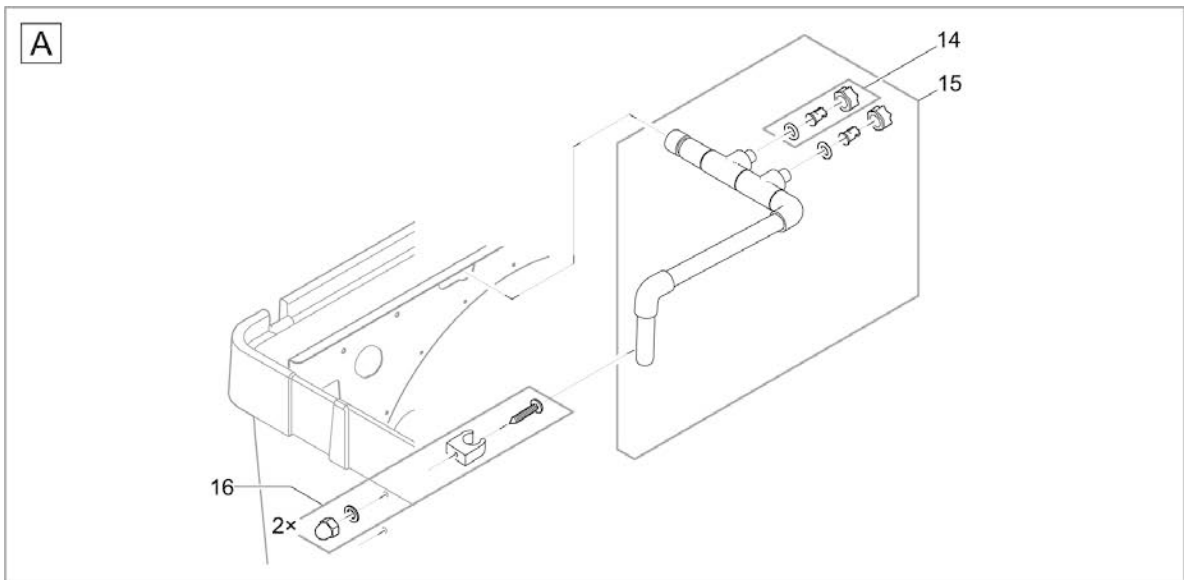
| Pos. | Item no. Product | Product | Item no. Spare part | Spare part | Number |
|------|---------------------|--|------------------------|--|--------|
| 40 | 42906 | ProfiClear Premium Compact pump-fed [INT] | 19402 | Cable holder drum filter | 8 |
| | 42907 | ProfiClear Premium Compact pump-fed [GB] | | | |
| | 47008 | ProfiClear Premium Compact-M pumped OC [INT] | | | |
| | 47009 | ProfiClear Premium Compact-M pumped OC [GB] | | | |
| 41 | 42906 | ProfiClear Premium Compact pump-fed [INT] | 42859 | Rear sep. wall ProfiCl. Compact Moving | 1 |
| | 42907 | ProfiClear Premium Compact pump-fed [GB] | | | |
| | 47008 | ProfiClear Premium Compact-M pumped OC [INT] | | | |
| | 47009 | ProfiClear Premium Compact-M pumped OC [GB] | | | |
| 42 | 42906 | ProfiClear Premium Compact pump-fed [INT] | 14596 | Oval head screw V2A DIN 7985 M6 x 16 | 34 |
| | 42907 | ProfiClear Premium Compact pump-fed [GB] | | | |
| | 47008 | ProfiClear Premium Compact-M pumped OC [INT] | | | |
| | 47009 | ProfiClear Premium Compact-M pumped OC [GB] | | | |
| 44 | 42906 | ProfiClear Premium Compact pump-fed [INT] | 43952 | Gasket Compact sep. wall back left | 1 |
| | 42907 | ProfiClear Premium Compact pump-fed [GB] | | | |
| | 47008 | ProfiClear Premium Compact-M pumped OC [INT] | | | |
| | 47009 | ProfiClear Premium Compact-M pumped OC [GB] | | | |
| 45 | 42906 | ProfiClear Premium Compact pump-fed [INT] | 17216 | Airstone clamp bio filter | 4 |
| | 42907 | ProfiClear Premium Compact pump-fed [GB] | | | |
| | 47008 | ProfiClear Premium Compact-M pumped OC [INT] | | | 1 |
| | 47009 | ProfiClear Premium Compact-M pumped OC [GB] | | | |
| 46 | 42906 | ProfiClear Premium Compact pump-fed [INT] | 42866 | Air stone ProfiClear Compact | 2 |
| | 42907 | ProfiClear Premium Compact pump-fed [GB] | | | |
| | 47008 | ProfiClear Premium Compact-M pumped OC [INT] | | | |
| | 47009 | ProfiClear Premium Compact-M pumped OC [GB] | | | |
| 47 | 42906 | ProfiClear Premium Compact pump-fed [INT] | 43353 | Mesh tube bracket | 2 |
| | 42907 | ProfiClear Premium Compact pump-fed [GB] | | | |
| | 47008 | ProfiClear Premium Compact-M pumped OC [INT] | | | |
| | 47009 | ProfiClear Premium Compact-M pumped OC [GB] | | | |
| 49 | 42906 | ProfiClear Premium Compact pump-fed [INT] | 42862 | Mesh tube ProfiClear Compact pump-fed | 1 |
| | 42907 | ProfiClear Premium Compact pump-fed [GB] | | | |
| | 47008 | ProfiClear Premium Compact-M pumped OC [INT] | | | |
| | 47009 | ProfiClear Premium Compact-M pumped OC [GB] | | | |
| 50 | 42906 | ProfiClear Premium Compact pump-fed [INT] | 44325 | Spare gasket set Compact middle | 1 |
| | 42907 | ProfiClear Premium Compact pump-fed [GB] | | | |
| | 47008 | ProfiClear Premium Compact-M pumped OC [INT] | | | |
| | 47009 | ProfiClear Premium Compact-M pumped OC [GB] | | | |
| 51 | 42906 | ProfiClear Premium Compact pump-fed [INT] | 12370 | Oval head screw H-V2A DIN 7985 M5 x 10 | 2 |
| | 42907 | ProfiClear Premium Compact pump-fed [GB] | | | |
| | 47008 | ProfiClear Premium Compact-M pumped OC [INT] | | | |
| | 47009 | ProfiClear Premium Compact-M pumped OC [GB] | | | |
| 52 | 42906 | ProfiClear Premium Compact pump-fed [INT] | 42860 | Perforated sheet ProfiCl. Compact middle | 1 |
| | 42907 | ProfiClear Premium Compact pump-fed [GB] | | | |
| | 47008 | ProfiClear Premium Compact-M pumped OC [INT] | | | |
| | 47009 | ProfiClear Premium Compact-M pumped OC [GB] | | | |
| 53 | 42906 | ProfiClear Premium Compact pump-fed [INT] | 14752 | Lock nut V2A DIN 985 M5 | 2 |
| | 42907 | ProfiClear Premium Compact pump-fed [GB] | | | |
| | 47008 | ProfiClear Premium Compact-M pumped OC [INT] | | | |
| | 47009 | ProfiClear Premium Compact-M pumped OC [GB] | | | |

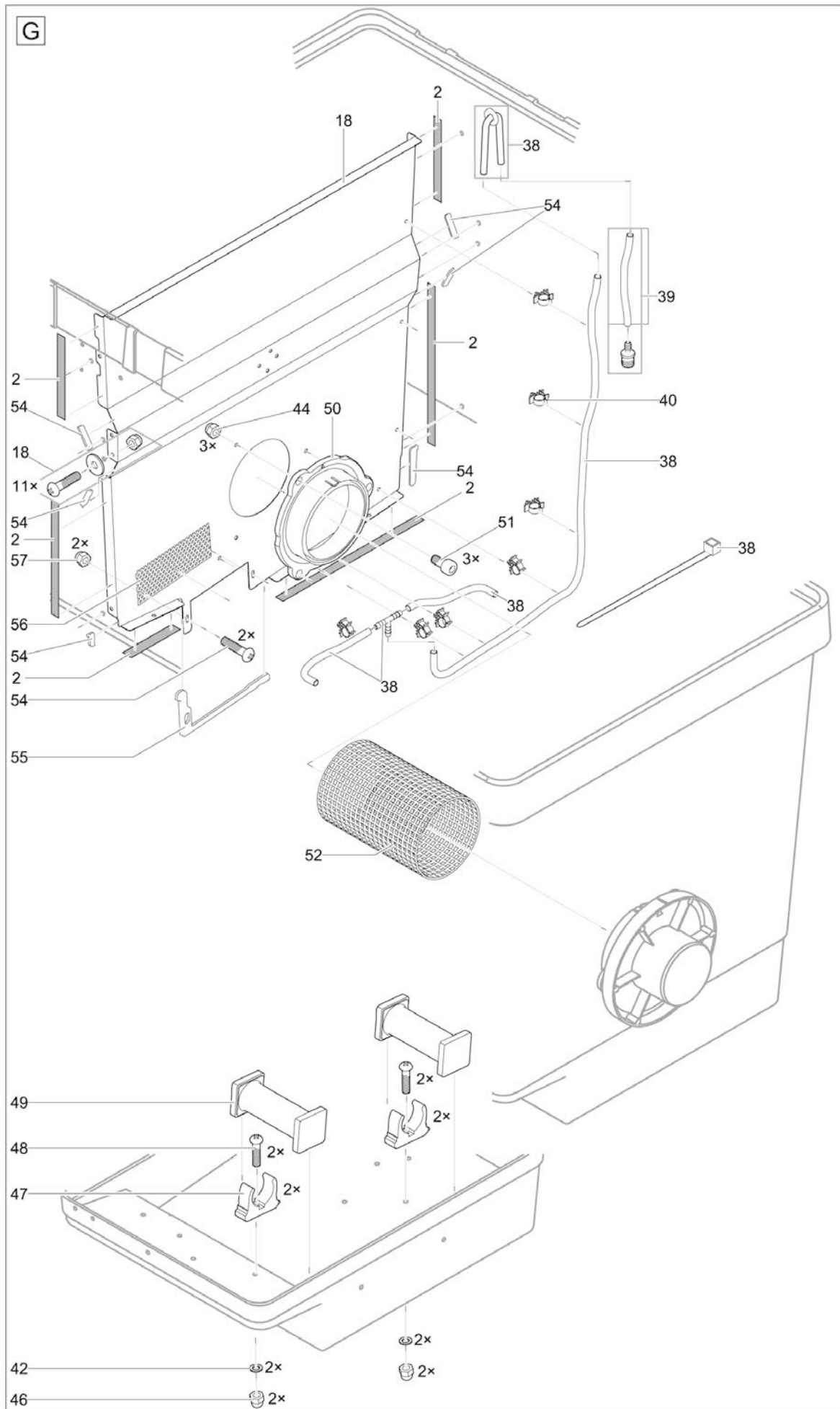
| Pos. | Item no. Product | Product | Item no. Spare part | Spare part | Number |
|------|---------------------|--|------------------------|--|--------|
| 54 | 42906 | ProfiClear Premium Compact pump-fed [INT] | 27572 | Oval head screw CZ-V2A DIN 7981 6.3 x 32 | 12 |
| | 42907 | ProfiClear Premium Compact pump-fed [GB] | | | |
| | 47008 | ProfiClear Premium Compact-M pumped OC [INT] | | | |
| | 47009 | ProfiClear Premium Compact-M pumped OC [GB] | | | |
| 55 | 42906 | ProfiClear Premium Compact pump-fed [INT] | 43756 | Gasket mesh tube 2016 | 1 |
| | 42907 | ProfiClear Premium Compact pump-fed [GB] | | | |
| | 47008 | ProfiClear Premium Compact-M pumped OC [INT] | | | |
| | 47009 | ProfiClear Premium Compact-M pumped OC [GB] | | | |
| 56 | 42906 | ProfiClear Premium Compact pump-fed [INT] | 26963 | Intake 100 | 1 |
| | 42907 | ProfiClear Premium Compact pump-fed [GB] | | | |
| | 47008 | ProfiClear Premium Compact-M pumped OC [INT] | | | |
| | 47009 | ProfiClear Premium Compact-M pumped OC [GB] | | | |
| 57 | 42906 | ProfiClear Premium Compact pump-fed [INT] | 35570 | Replacement Plug | 1 |
| | 42907 | ProfiClear Premium Compact pump-fed [GB] | | | |
| | 47008 | ProfiClear Premium Compact-M pumped OC [INT] | | | |
| | 47009 | ProfiClear Premium Compact-M pumped OC [GB] | | | |
| 58 | 42906 | ProfiClear Premium Compact pump-fed [INT] | 22746 | Add. pack drum filter pump-fed II | 1 |
| | 42907 | ProfiClear Premium Compact pump-fed [GB] | | | |
| | 47008 | ProfiClear Premium Compact-M pumped OC [INT] | | | |
| | 47009 | ProfiClear Premium Compact-M pumped OC [GB] | | | |
| 59 | 42906 | ProfiClear Premium Compact pump-fed [INT] | 18798 | Spare grommet drum filter pump-fed | 1 |
| | 42907 | ProfiClear Premium Compact pump-fed [GB] | | | |
| | 47008 | ProfiClear Premium Compact-M pumped OC [INT] | | | |
| | 47009 | ProfiClear Premium Compact-M pumped OC [GB] | | | |
| 60 | 42906 | ProfiClear Premium Compact pump-fed [INT] | 50540 | Connection elbow 2"/90° Bitron | 1 |
| | 42907 | ProfiClear Premium Compact pump-fed [GB] | | | |
| | 47008 | ProfiClear Premium Compact-M pumped OC [INT] | | | |
| | 47009 | ProfiClear Premium Compact-M pumped OC [GB] | | | |
| 62 | 42906 | ProfiClear Premium Compact pump-fed [INT] | 23192 | Spare drum gasket | 1 |
| | 42907 | ProfiClear Premium Compact pump-fed [GB] | | | |
| | 47008 | ProfiClear Premium Compact-M pumped OC [INT] | | | |
| | 47009 | ProfiClear Premium Compact-M pumped OC [GB] | | | |
| 63 | 42906 | ProfiClear Premium Compact pump-fed [INT] | 20320 | Cylinder screw V2A DIN 912 M4 x 20 | 2 |
| | 42907 | ProfiClear Premium Compact pump-fed [GB] | | | |
| | 47008 | ProfiClear Premium Compact-M pumped OC [INT] | | | |
| | 47009 | ProfiClear Premium Compact-M pumped OC [GB] | | | |
| 64 | 42906 | ProfiClear Premium Compact pump-fed [INT] | 40129 | ASM signal box pumped | 1 |
| | 42907 | ProfiClear Premium Compact pump-fed [GB] | | | |
| | 47008 | ProfiClear Premium Compact-M pumped OC [INT] | | | |
| | 47009 | ProfiClear Premium Compact-M pumped OC [GB] | | | |
| 65 | 42906 | ProfiClear Premium Compact pump-fed [INT] | 40099 | Mounting pl.float switch BioT./Comp.pump | 1 |
| | 42907 | ProfiClear Premium Compact pump-fed [GB] | | | |
| | 47008 | ProfiClear Premium Compact-M pumped OC [INT] | | | |
| | 47009 | ProfiClear Premium Compact-M pumped OC [GB] | | | |
| 66 | 42906 | ProfiClear Premium Compact pump-fed [INT] | 11113 | Safety nut V2A DIN 985 M4 | 2 |
| | 42907 | ProfiClear Premium Compact pump-fed [GB] | | | |
| | 47008 | ProfiClear Premium Compact-M pumped OC [INT] | | | |
| | 47009 | ProfiClear Premium Compact-M pumped OC [GB] | | | |

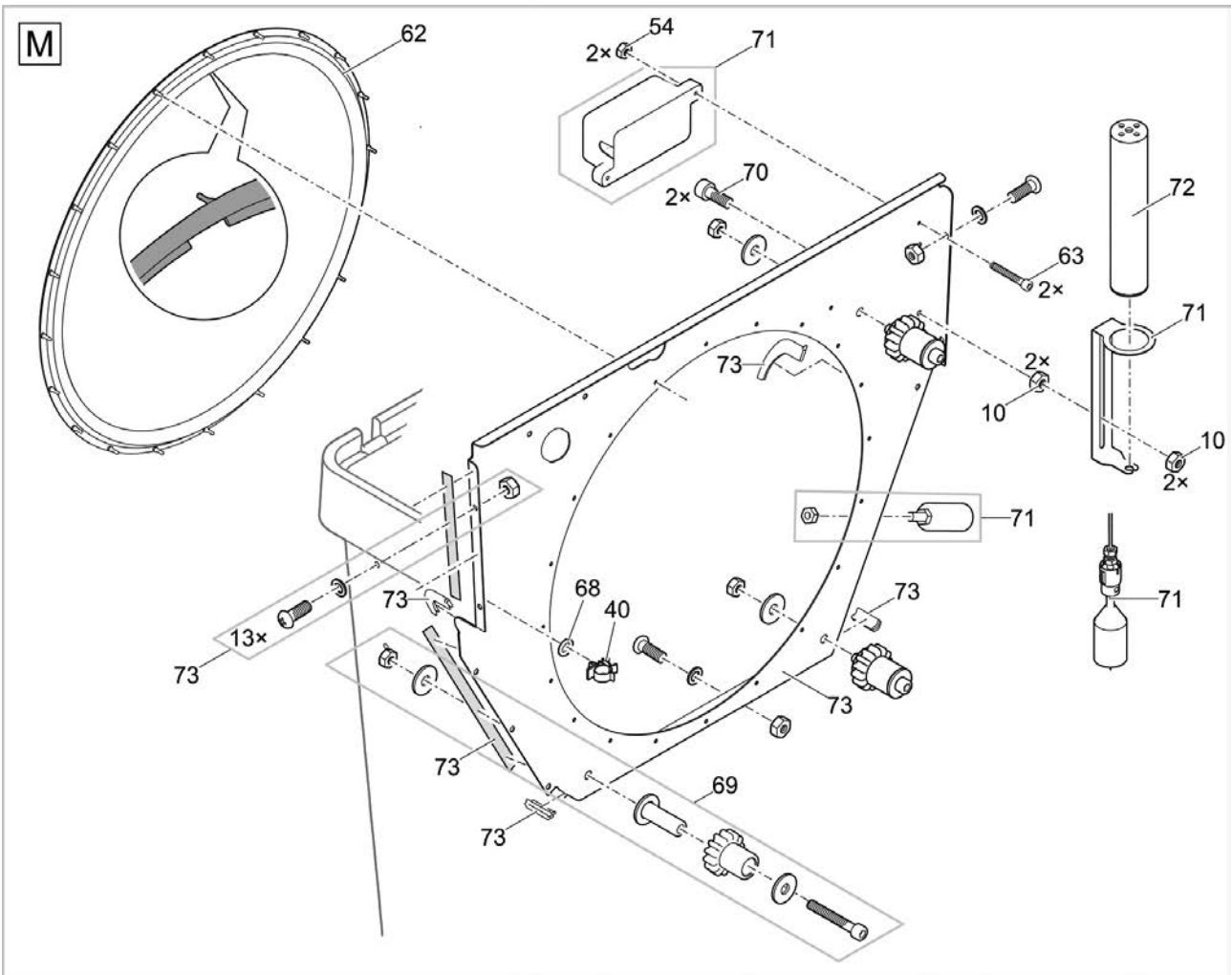
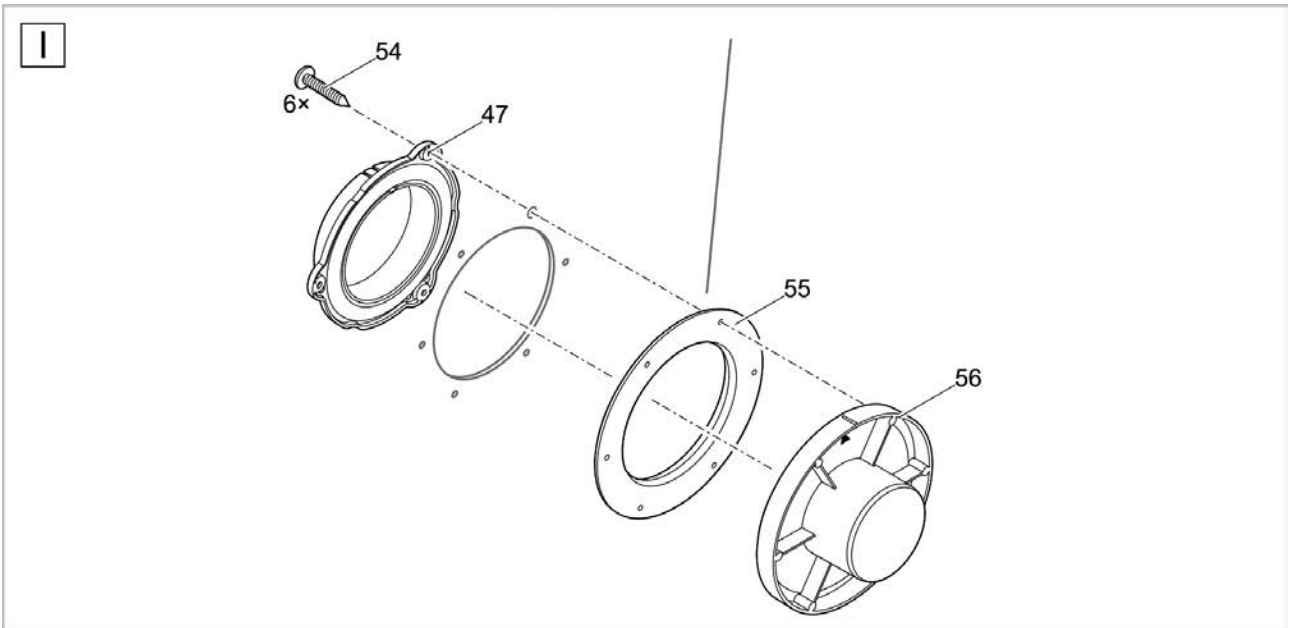
| Pos. | Item no. Product | Product | Item no. Spare part | Spare part | Number |
|------|---------------------|--|------------------------|---|--------|
| 67 | 42906 | ProfiClear Premium Compact pump-fed [INT] | 41481 | Spare seperating wall BioTec/Comp. pump | 1 |
| | 42907 | ProfiClear Premium Compact pump-fed [GB] | | | |
| | 47008 | ProfiClear Premium Compact-M pumped OC [INT] | | | |
| | 47009 | ProfiClear Premium Compact-M pumped OC [GB] | | | |
| 68 | 42906 | ProfiClear Premium Compact pump-fed [INT] | 19023 | O-Ring EPDM 6 x 1.5 SH70 A | 1 |
| | 42907 | ProfiClear Premium Compact pump-fed [GB] | | | |
| | 47008 | ProfiClear Premium Compact-M pumped OC [INT] | | | |
| | 47009 | ProfiClear Premium Compact-M pumped OC [GB] | | | |
| 69 | 42906 | ProfiClear Premium Compact pump-fed [INT] | 18794 | Spare plain roller drum filter | 1 |
| | 42907 | ProfiClear Premium Compact pump-fed [GB] | | | |
| | 47008 | ProfiClear Premium Compact-M pumped OC [INT] | | | |
| | 47009 | ProfiClear Premium Compact-M pumped OC [GB] | | | |
| 74 | 42906 | ProfiClear Premium Compact pump-fed [INT] | 48183 | Check valve 2" | 1 |
| | 42907 | ProfiClear Premium Compact pump-fed [GB] | | | |
| | 47008 | ProfiClear Premium Compact-M pumped OC [INT] | | | |
| | 47009 | ProfiClear Premium Compact-M pumped OC [GB] | | | |
| 76 | 47008 | ProfiClear Premium Compact-M pumped OC [INT] | 43867 | Spare set ASM gland seal | 1 |
| | 47009 | ProfiClear Premium Compact-M pumped OC [GB] | | | |
| 77 | 47008 | ProfiClear Premium Compact-M pumped OC [INT] | 49847 | Cover cap nut M6 | 1 |
| | 47009 | ProfiClear Premium Compact-M pumped OC [GB] | | | |

| Item no. | Product |
|----------|--|
| 42910 | ProfiClear Premium Compact gravity |
| 47010 | ProfiClear Premium Compact-M gravity OC |
| 42912 | GB ProfiClear Premium Compact gravity |
| 47011 | GB ProfiClear Premium Compact-M gravity OC |









| Pos. | Item no. Product | Product | Item no. Spare part | Spare part | Number |
|------|---------------------|---|------------------------|--|--------|
| 1 | 42910 | ProfiClear Premium Compact gravity [INT] | 18795 | Spare part lid cpl. drum filter | 1 |
| | 42912 | ProfiClear Premium Compact gravity [GB] | | | |
| | 47010 | ProfiClear Premium Compact-M gravity OC [INT] | | | |
| | 47011 | ProfiClear Premium Compact-M gravity OC [GB] | | | |
| 2 | 42910 | ProfiClear Premium Compact gravity [INT] | 21981 | Spare cover gasket seal drum filter | 1 |
| | 42912 | ProfiClear Premium Compact gravity [GB] | | | |
| | 47010 | ProfiClear Premium Compact-M gravity OC [INT] | | | |
| | 47011 | ProfiClear Premium Compact-M gravity OC [GB] | | | |
| 3 | 42910 | ProfiClear Premium Compact gravity [INT] | 43383 | Add. pack Hel-X 13 mm 20 l | 2 |
| | 42912 | ProfiClear Premium Compact gravity [GB] | | | |
| | 47010 | ProfiClear Premium Compact-M gravity OC [INT] | | | |
| | 47011 | ProfiClear Premium Compact-M gravity OC [GB] | | | |
| 4 | 42910 | ProfiClear Premium Compact gravity [INT] | 93818 | Spare controller drum filter M/L | 1 |
| | 42912 | ProfiClear Premium Compact gravity [GB] | | | |
| | 47010 | ProfiClear Premium Compact-M gravity OC [INT] | | | |
| | 47011 | ProfiClear Premium Compact-M gravity OC [GB] | | | |
| 5 | 42910 | ProfiClear Premium Compact gravity [INT] | 18692 | Fuse T8A 250 V | 1 |
| | 42912 | ProfiClear Premium Compact gravity [GB] | | | |
| | 47010 | ProfiClear Premium Compact-M gravity OC [INT] | | | |
| | 47011 | ProfiClear Premium Compact-M gravity OC [GB] | | | |
| 6 | 42910 | ProfiClear Premium Compact gravity [INT] | 42854 | Container ProfiClear Compact gravity | 1 |
| | 42912 | ProfiClear Premium Compact gravity [GB] | | | |
| | 47010 | ProfiClear Premium Compact-M gravity OC [INT] | | | |
| | 47011 | ProfiClear Premium Compact-M gravity OC [GB] | | | |
| 7 | 42910 | ProfiClear Premium Compact gravity [INT] | 18842 | Clip drum filter | 1 |
| | 42912 | ProfiClear Premium Compact gravity [GB] | | | 2 |
| | 47010 | ProfiClear Premium Compact-M gravity OC [INT] | | | 2 |
| | 47011 | ProfiClear Premium Compact-M gravity OC [GB] | | | |
| 8 | 42910 | ProfiClear Premium Compact gravity [INT] | 90119 | Spare cable protection 5.0 m | 1 |
| | 42912 | ProfiClear Premium Compact gravity [GB] | | | |
| | 47010 | ProfiClear Premium Compact-M gravity OC [INT] | | | |
| | 47011 | ProfiClear Premium Compact-M gravity OC [GB] | | | |
| 9 | 42910 | ProfiClear Premium Compact gravity [INT] | 40022 | ASM waste channel BioTec Premium 80000 | 1 |
| | 42912 | ProfiClear Premium Compact gravity [GB] | | | |
| | 47010 | ProfiClear Premium Compact-M gravity OC [INT] | | | |
| | 47011 | ProfiClear Premium Compact-M gravity OC [GB] | | | |
| 10 | 42910 | ProfiClear Premium Compact gravity [INT] | 6128 | Lock nut V2A DIN 985 M6 | 41 |
| | 42912 | ProfiClear Premium Compact gravity [GB] | | | 33 |
| | 47010 | ProfiClear Premium Compact-M gravity OC [INT] | | | 33 |
| | 47011 | ProfiClear Premium Compact-M gravity OC [GB] | | | |
| 11 | 42910 | ProfiClear Premium Compact gravity [INT] | 71771 | Spare ASM drum motor | 1 |
| | 42912 | ProfiClear Premium Compact gravity [GB] | | | |
| | 47010 | ProfiClear Premium Compact-M gravity OC [INT] | | | |
| | 47011 | ProfiClear Premium Compact-M gravity OC [GB] | | | |
| 12 | 42910 | ProfiClear Premium Compact gravity [INT] | 15596 | Screw V4A DIN 912 M6 x 10 | 5 |
| | 42912 | ProfiClear Premium Compact gravity [GB] | | | |
| | 47010 | ProfiClear Premium Compact-M gravity OC [INT] | | | |
| | 47011 | ProfiClear Premium Compact-M gravity OC [GB] | | | |

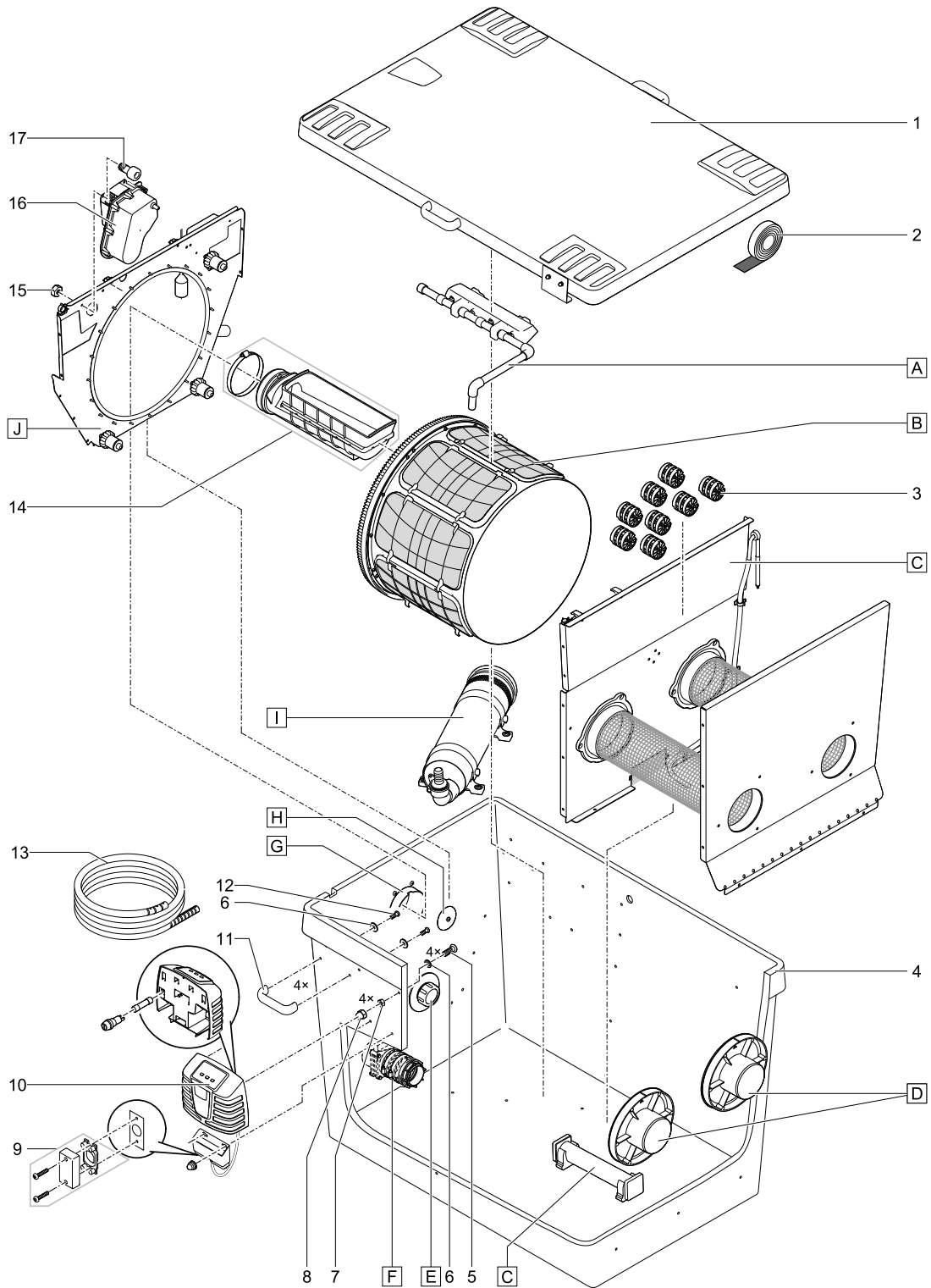
| Pos. | Item no. Product | Product | Item no. Spare part | Spare part | Number |
|------|---------------------|---|------------------------|---|--------|
| 13 | 42910 | ProfiClear Premium Compact gravity [INT] | 20284 | Spike | 2 |
| | 42912 | ProfiClear Premium Compact gravity [GB] | | | |
| | 47010 | ProfiClear Premium Compact-M gravity OC [INT] | | | |
| | 47011 | ProfiClear Premium Compact-M gravity OC [GB] | | | |
| 14 | 42910 | ProfiClear Premium Compact gravity [INT] | 44231 | Spare nozzle ProfiClear Premium Compact | 1 |
| | 42912 | ProfiClear Premium Compact gravity [GB] | | | |
| | 47010 | ProfiClear Premium Compact-M gravity OC [INT] | | | |
| | 47011 | ProfiClear Premium Compact-M gravity OC [GB] | | | |
| 15 | 42910 | ProfiClear Premium Compact gravity [INT] | 49841 | ASM cleaning tube Compact M inject | 1 |
| | 42912 | ProfiClear Premium Compact gravity [GB] | | | |
| | 47010 | ProfiClear Premium Compact-M gravity OC [INT] | | | |
| | 47011 | ProfiClear Premium Compact-M gravity OC [GB] | | | |
| 16 | 42910 | ProfiClear Premium Compact gravity [INT] | 41472 | Spare hose bracket BioTec / Compact | 1 |
| | 42912 | ProfiClear Premium Compact gravity [GB] | | | |
| | 47010 | ProfiClear Premium Compact-M gravity OC [INT] | | | |
| | 47011 | ProfiClear Premium Compact-M gravity OC [GB] | | | |
| 17 | 42910 | ProfiClear Premium Compact gravity [INT] | 41476 | Spare drum BioTec / Compact | 1 |
| | 42912 | ProfiClear Premium Compact gravity [GB] | | | |
| | 47010 | ProfiClear Premium Compact-M gravity OC [INT] | | | |
| | 47011 | ProfiClear Premium Compact-M gravity OC [GB] | | | |
| 18 | 42910 | ProfiClear Premium Compact gravity [INT] | 42858 | Middle sep. wall ProfiCl. Compact | 1 |
| | 42912 | ProfiClear Premium Compact gravity [GB] | | | |
| | 47010 | ProfiClear Premium Compact-M gravity OC [INT] | | | |
| | 47011 | ProfiClear Premium Compact-M gravity OC [GB] | | | |
| 19 | 42910 | ProfiClear Premium Compact gravity [INT] | 18791 | Spare drum bearing drum filter | 1 |
| | 42912 | ProfiClear Premium Compact gravity [GB] | | | |
| | 47010 | ProfiClear Premium Compact-M gravity OC [INT] | | | |
| | 47011 | ProfiClear Premium Compact-M gravity OC [GB] | | | |
| 20 | 42910 | ProfiClear Premium Compact gravity [INT] | 16288 | Drum shaft | 1 |
| | 42912 | ProfiClear Premium Compact gravity [GB] | | | |
| | 47010 | ProfiClear Premium Compact-M gravity OC [INT] | | | |
| | 47011 | ProfiClear Premium Compact-M gravity OC [GB] | | | |
| 21 | 42910 | ProfiClear Premium Compact gravity [INT] | 19515 | Locking pin V2A DIN 11023 - 6 mm | 1 |
| | 42912 | ProfiClear Premium Compact gravity [GB] | | | |
| | 47010 | ProfiClear Premium Compact-M gravity OC [INT] | | | |
| | 47011 | ProfiClear Premium Compact-M gravity OC [GB] | | | |
| 22 | 42910 | ProfiClear Premium Compact gravity [INT] | 41889 | Spare clip drum filter | 1 |
| | 42912 | ProfiClear Premium Compact gravity [GB] | | | |
| | 47010 | ProfiClear Premium Compact-M gravity OC [INT] | | | |
| | 47011 | ProfiClear Premium Compact-M gravity OC [GB] | | | |
| 23 | 42910 | ProfiClear Premium Compact gravity [INT] | 44227 | Spare sieve ProfiClear Compact 80µm | 1 |
| | 42912 | ProfiClear Premium Compact gravity [GB] | | | |
| | 47010 | ProfiClear Premium Compact-M gravity OC [INT] | | | |
| | 47011 | ProfiClear Premium Compact-M gravity OC [GB] | | | |
| 24 | 42910 | ProfiClear Premium Compact gravity [INT] | 18446 | Spare drain DN75 Premium | 1 |
| | 42912 | ProfiClear Premium Compact gravity [GB] | | | |
| | 47010 | ProfiClear Premium Compact-M gravity OC [INT] | | | |
| | 47011 | ProfiClear Premium Compact-M gravity OC [GB] | | | |

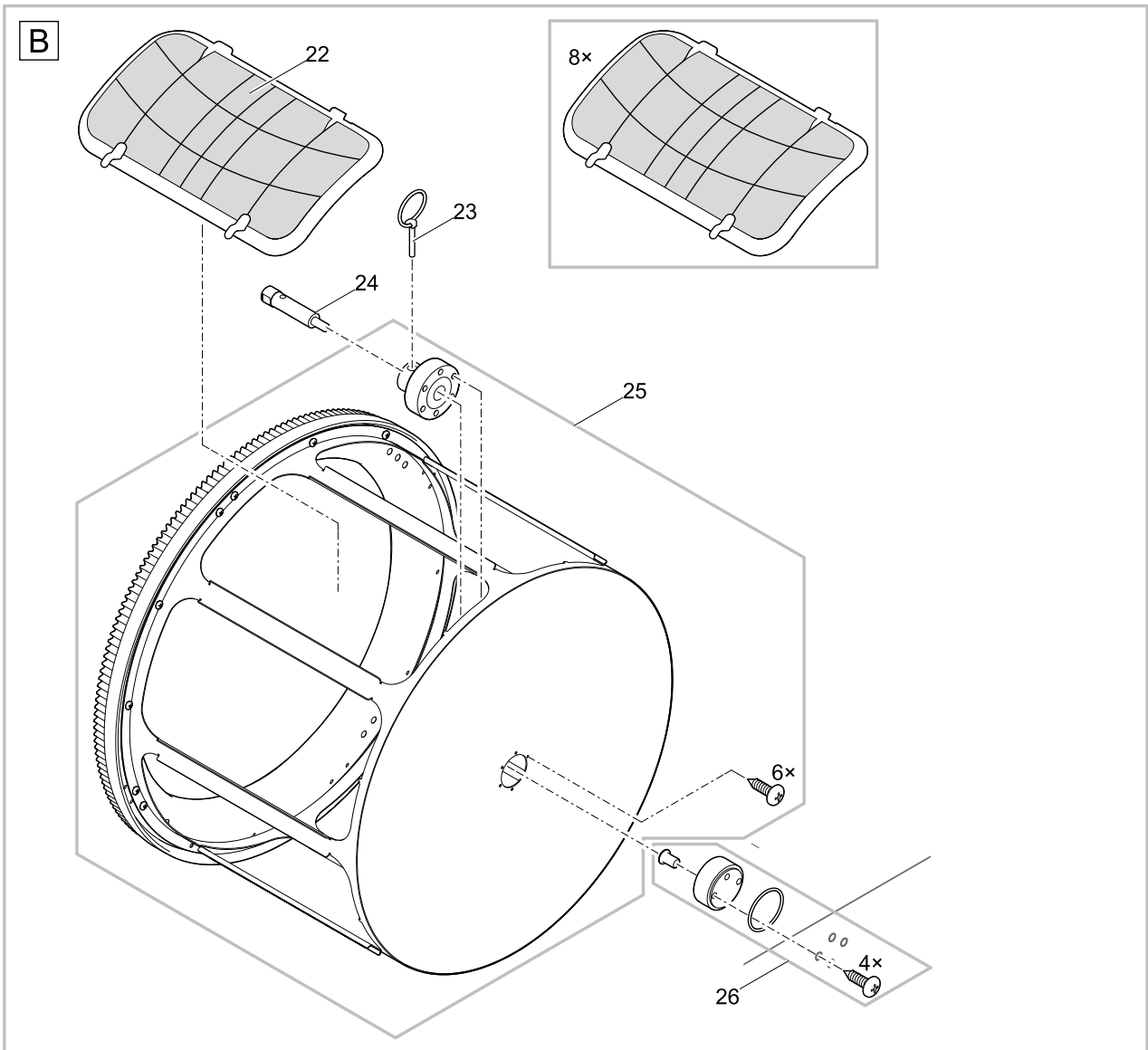
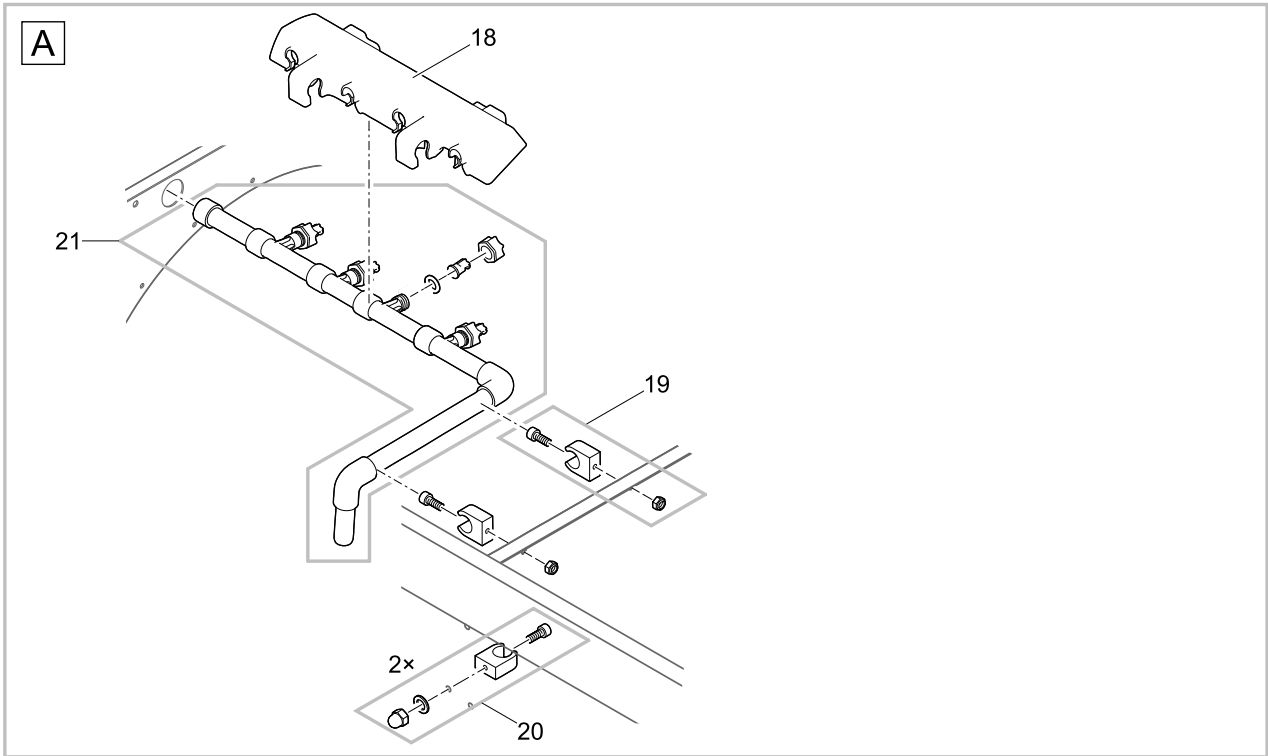
| Pos. | Item no. Product | Product | Item no. Spare part | Spare part | Number |
|------|---------------------|---|------------------------|---|--------|
| 25 | 42910 | ProfiClear Premium Compact gravity [INT] | 18448 | spare screw set drain DN75 Premium | 1 |
| | 42912 | ProfiClear Premium Compact gravity [GB] | | | |
| | 47010 | ProfiClear Premium Compact-M gravity OC [INT] | | | |
| | 47011 | ProfiClear Premium Compact-M gravity OC [GB] | | | |
| 26 | 42910 | ProfiClear Premium Compact gravity [INT] | 19005 | ASM connection set DN 110 | 1 |
| | 42912 | ProfiClear Premium Compact gravity [GB] | | | |
| | 47010 | ProfiClear Premium Compact-M gravity OC [INT] | | | |
| | 47011 | ProfiClear Premium Compact-M gravity OC [GB] | | | |
| 27 | 42910 | ProfiClear Premium Compact gravity [INT] | 40114 | Fastening kit rinse pump rear | 1 |
| | 42912 | ProfiClear Premium Compact gravity [GB] | | | |
| | 47010 | ProfiClear Premium Compact-M gravity OC [INT] | | | |
| | 47011 | ProfiClear Premium Compact-M gravity OC [GB] | | | |
| 28 | 42910 | ProfiClear Premium Compact gravity [INT] | 17918 | Oval head screw V2A DIN 7985 M6 x 25 | 10 |
| | 42912 | ProfiClear Premium Compact gravity [GB] | | | 12 |
| | 47010 | ProfiClear Premium Compact-M gravity OC [INT] | | | 12 |
| | 47011 | ProfiClear Premium Compact-M gravity OC [GB] | | | |
| 29 | 42910 | ProfiClear Premium Compact gravity [INT] | 6143 | Washer VA DIN 9021 6.4 | 1 |
| | 42912 | ProfiClear Premium Compact gravity [GB] | | | 4 |
| | 47010 | ProfiClear Premium Compact-M gravity OC [INT] | | | 4 |
| | 47011 | ProfiClear Premium Compact-M gravity OC [GB] | | | 4 |
| 30 | 42910 | ProfiClear Premium Compact gravity [INT] | 20609 | Fiberplate DIN 7603 6 x 12 x 1 mm | 44 |
| | 42912 | ProfiClear Premium Compact gravity [GB] | | | 42 |
| | 47010 | ProfiClear Premium Compact-M gravity OC [INT] | | | 42 |
| | 47011 | ProfiClear Premium Compact-M gravity OC [GB] | | | |
| 31 | 42910 | ProfiClear Premium Compact gravity [INT] | 6117 | Cap nut V2A DIN 1587 M6 | 14 |
| | 42912 | ProfiClear Premium Compact gravity [GB] | | | 18 |
| | 47010 | ProfiClear Premium Compact-M gravity OC [INT] | | | 19 |
| | 47011 | ProfiClear Premium Compact-M gravity OC [GB] | | | |
| 32 | 42910 | ProfiClear Premium Compact gravity [INT] | 40074 | Fastening kit rinse pump front | 1 |
| | 42912 | ProfiClear Premium Compact gravity [GB] | | | |
| | 47010 | ProfiClear Premium Compact-M gravity OC [INT] | | | |
| | 47011 | ProfiClear Premium Compact-M gravity OC [GB] | | | |
| 33 | 42910 | ProfiClear Premium Compact gravity [INT] | 41479 | Spare connector waste pump BioTec/Comp. | 1 |
| | 42912 | ProfiClear Premium Compact gravity [GB] | | | |
| | 47010 | ProfiClear Premium Compact-M gravity OC [INT] | | | |
| | 47011 | ProfiClear Premium Compact-M gravity OC [GB] | | | |
| 34 | 42910 | ProfiClear Premium Compact gravity [INT] | 43077 | Rinse pump 4 bar - 5.6 m cable | 1 |
| | 42912 | ProfiClear Premium Compact gravity [GB] | | | |
| | 47010 | ProfiClear Premium Compact-M gravity OC [INT] | | | |
| | 47011 | ProfiClear Premium Compact-M gravity OC [GB] | | | |
| 35 | 42910 | ProfiClear Premium Compact gravity [INT] | 18943 | Pre-filter rinse pump | 1 |
| | 42912 | ProfiClear Premium Compact gravity [GB] | | | |
| | 47010 | ProfiClear Premium Compact-M gravity OC [INT] | | | |
| | 47011 | ProfiClear Premium Compact-M gravity OC [GB] | | | |
| 38 | 42910 | ProfiClear Premium Compact gravity [INT] | 44324 | Spare connection air stone Compact | 1 |
| | 42912 | ProfiClear Premium Compact gravity [GB] | | | |
| | 47010 | ProfiClear Premium Compact-M gravity OC [INT] | | | |
| | 47011 | ProfiClear Premium Compact-M gravity OC [GB] | | | |

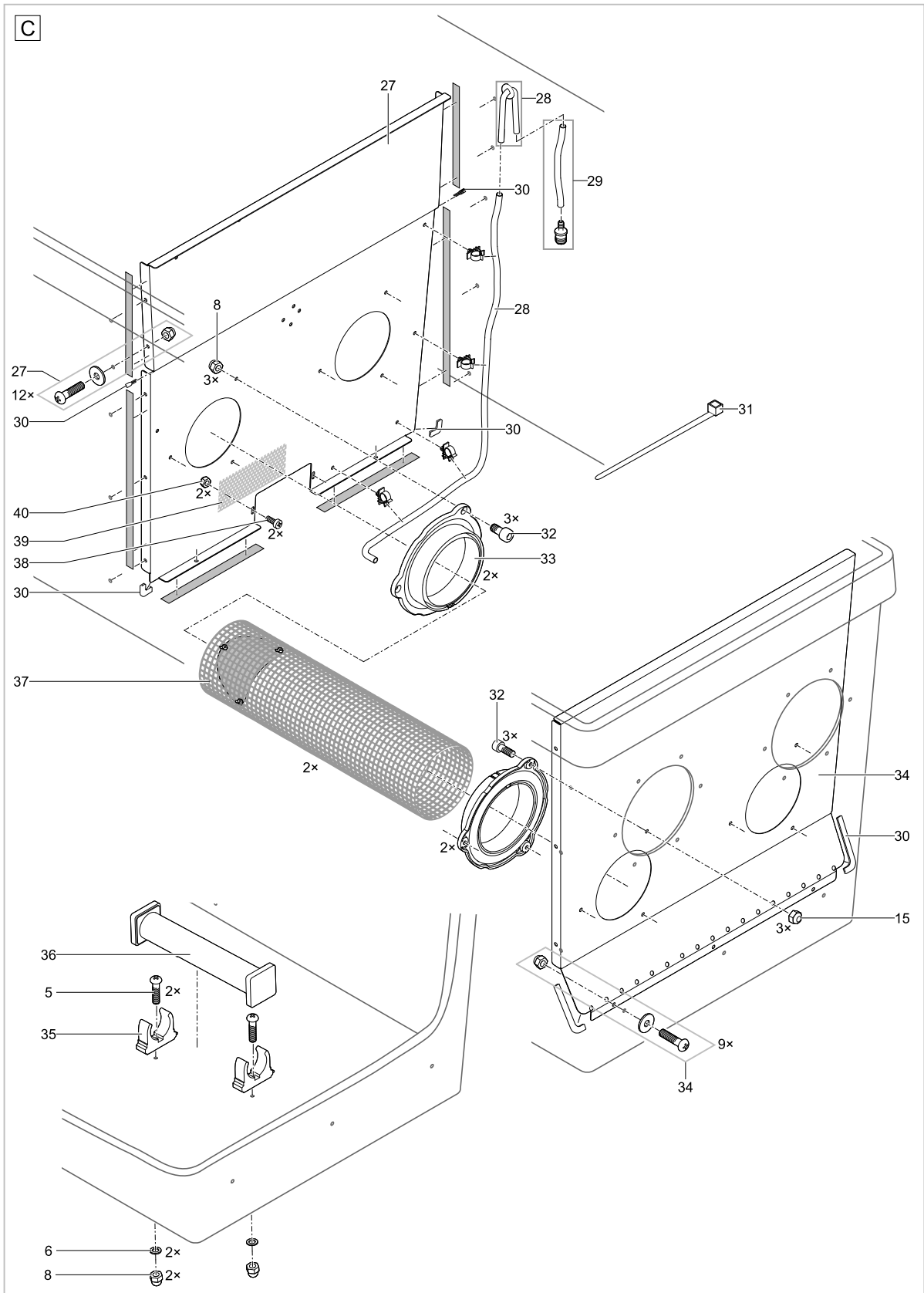
| Pos. | Item no. Product | Product | Item no. Spare part | Spare part | Number |
|------|---------------------|---|------------------------|--|--------|
| 39 | 42910 | ProfiClear Premium Compact gravity [INT] | 42890 | Add. pack air connector ProfiCl. Compact | 1 |
| | 42912 | ProfiClear Premium Compact gravity [GB] | | | |
| | 47010 | ProfiClear Premium Compact-M gravity OC [INT] | | | |
| | 47011 | ProfiClear Premium Compact-M gravity OC [GB] | | | |
| 40 | 42910 | ProfiClear Premium Compact gravity [INT] | 19402 | Cable holder drum filter | 9 |
| | 42912 | ProfiClear Premium Compact gravity [GB] | | | |
| | 47010 | ProfiClear Premium Compact-M gravity OC [INT] | | | |
| | 47011 | ProfiClear Premium Compact-M gravity OC [GB] | | | |
| 44 | 42910 | ProfiClear Premium Compact gravity [INT] | 6117 | Cap nut V2A DIN 1587 M6 | 14 |
| | 42912 | ProfiClear Premium Compact gravity [GB] | | | 18 |
| | 47010 | ProfiClear Premium Compact-M gravity OC [INT] | | | 19 |
| | 47011 | ProfiClear Premium Compact-M gravity OC [GB] | | | |
| 45 | 42910 | ProfiClear Premium Compact gravity [INT] | 17216 | Airstone clamp bio filter | 4 |
| | 42912 | ProfiClear Premium Compact gravity [GB] | | | |
| | 47010 | ProfiClear Premium Compact-M gravity OC [INT] | | | |
| | 47011 | ProfiClear Premium Compact-M gravity OC [GB] | | | |
| 46 | 42910 | ProfiClear Premium Compact gravity [INT] | 42866 | Air stone ProfiClear Compact | 2 |
| | 42912 | ProfiClear Premium Compact gravity [GB] | | | |
| | 47010 | ProfiClear Premium Compact-M gravity OC [INT] | | | |
| | 47011 | ProfiClear Premium Compact-M gravity OC [GB] | | | |
| 47 | 42910 | ProfiClear Premium Compact gravity [INT] | 43353 | Mesh tube bracket | 2 |
| | 42912 | ProfiClear Premium Compact gravity [GB] | | | |
| | 47010 | ProfiClear Premium Compact-M gravity OC [INT] | | | |
| | 47011 | ProfiClear Premium Compact-M gravity OC [GB] | | | |
| 49 | 42910 | ProfiClear Premium Compact gravity [INT] | 42863 | Mesh tube ProfiClear Compact gravity | 1 |
| | 42912 | ProfiClear Premium Compact gravity [GB] | | | |
| | 47010 | ProfiClear Premium Compact-M gravity OC [INT] | | | |
| | 47011 | ProfiClear Premium Compact-M gravity OC [GB] | | | |
| 50 | 42910 | ProfiClear Premium Compact gravity [INT] | 44325 | Spare gasket set Compact middle | 1 |
| | 42912 | ProfiClear Premium Compact gravity [GB] | | | |
| | 47010 | ProfiClear Premium Compact-M gravity OC [INT] | | | |
| | 47011 | ProfiClear Premium Compact-M gravity OC [GB] | | | |
| 51 | 42910 | ProfiClear Premium Compact gravity [INT] | 12370 | Oval head screw H-V2A DIN 7985 M5 x 10 | 2 |
| | 42912 | ProfiClear Premium Compact gravity [GB] | | | |
| | 47010 | ProfiClear Premium Compact-M gravity OC [INT] | | | |
| | 47011 | ProfiClear Premium Compact-M gravity OC [GB] | | | |
| 52 | 42910 | ProfiClear Premium Compact gravity [INT] | 42860 | Perforated sheet ProfiCl. Compact middle | 1 |
| | 42912 | ProfiClear Premium Compact gravity [GB] | | | |
| | 47010 | ProfiClear Premium Compact-M gravity OC [INT] | | | |
| | 47011 | ProfiClear Premium Compact-M gravity OC [GB] | | | |
| 53 | 42910 | ProfiClear Premium Compact gravity [INT] | 14752 | Lock nut V2A DIN 985 M5 | 2 |
| | 42912 | ProfiClear Premium Compact gravity [GB] | | | |
| | 47010 | ProfiClear Premium Compact-M gravity OC [INT] | | | |
| | 47011 | ProfiClear Premium Compact-M gravity OC [GB] | | | |
| 54 | 42910 | ProfiClear Premium Compact gravity [INT] | 27572 | Oval head screw CZ-V2A DIN 7981 6.3 x 32 | 24 |
| | 42912 | ProfiClear Premium Compact gravity [GB] | | | |
| | 47010 | ProfiClear Premium Compact-M gravity OC [INT] | | | |
| | 47011 | ProfiClear Premium Compact-M gravity OC [GB] | | | |

| Pos. | Item no. Product | Product | Item no. Spare part | Spare part | Number |
|------|---------------------|---|------------------------|--|--------|
| 55 | 42910 | ProfiClear Premium Compact gravity [INT] | 43756 | Gasket mesh tube 2016 | 1 |
| | 42912 | ProfiClear Premium Compact gravity [GB] | | | |
| | 47010 | ProfiClear Premium Compact-M gravity OC [INT] | | | |
| | 47011 | ProfiClear Premium Compact-M gravity OC [GB] | | | |
| 56 | 42910 | ProfiClear Premium Compact gravity [INT] | 26963 | Intake 100 | 1 |
| | 42912 | ProfiClear Premium Compact gravity [GB] | | | |
| | 47010 | ProfiClear Premium Compact-M gravity OC [INT] | | | |
| | 47011 | ProfiClear Premium Compact-M gravity OC [GB] | | | |
| 62 | 47010 | ProfiClear Premium Compact-M gravity OC [INT] | 23192 | Spare drum gasket | 1 |
| | 47011 | ProfiClear Premium Compact-M gravity OC [GB] | | | |
| 63 | 47010 | ProfiClear Premium Compact-M gravity OC [INT] | 20320 | Cylinder screw V2A DIN 912 M4 x 20 | 2 |
| | 47011 | ProfiClear Premium Compact-M gravity OC [GB] | | | |
| 69 | 47010 | ProfiClear Premium Compact-M gravity OC [INT] | 18794 | Spare plain roller drum filter | 1 |
| | 47011 | ProfiClear Premium Compact-M gravity OC [GB] | | | |
| 70 | 42910 | ProfiClear Premium Compact gravity [INT] | 5949 | Cylinder screw V2A DIN 912 6 x 16 | 4 |
| | 42912 | ProfiClear Premium Compact gravity [GB] | | | |
| | 47010 | ProfiClear Premium Compact-M gravity OC [INT] | | | |
| | 47011 | ProfiClear Premium Compact-M gravity OC [GB] | | | |
| 71 | 42910 | ProfiClear Premium Compact gravity [INT] | 27977 | ASM signal box drum filter Gravity | 1 |
| | 42912 | ProfiClear Premium Compact gravity [GB] | | | |
| | 47010 | ProfiClear Premium Compact-M gravity OC [INT] | 43493 | ASM signal box DF Gravity 2017 | 1 |
| | 47011 | ProfiClear Premium Compact-M gravity OC [GB] | | | |
| 72 | 47010 | ProfiClear Premium Compact-M gravity OC [INT] | 42873 | ASM tube float switch gravity Compact | 1 |
| | 47011 | ProfiClear Premium Compact-M gravity OC [GB] | | | |
| 73 | 42910 | ProfiClear Premium Compact gravity [INT] | 44232 | Spare seperating wall BioTec/Comp. Grav. | 1 |
| | 42912 | ProfiClear Premium Compact gravity [GB] | | | |
| | 47010 | ProfiClear Premium Compact-M gravity OC [INT] | | | |
| | 47011 | ProfiClear Premium Compact-M gravity OC [GB] | | | |
| 74 | 42910 | ProfiClear Premium Compact gravity [INT] | 16611 | Mounting plate float switch | 1 |
| | 42912 | ProfiClear Premium Compact gravity [GB] | | | |
| | 47010 | ProfiClear Premium Compact-M gravity OC [INT] | 48250 | Mounting plate float switch PCP Gravi.II | 1 |
| | 47011 | ProfiClear Premium Compact-M gravity OC [GB] | | | |
| 75 | 47010 | ProfiClear Premium Compact-M gravity OC [INT] | 5948 | Cylinder screw V2A DIN 912 6 x 12 | 2 |
| | 47011 | ProfiClear Premium Compact-M gravity OC [GB] | | | |
| 76 | 47010 | ProfiClear Premium Compact-M gravity OC [INT] | 43867 | Spare set ASM gland seal | 1 |
| | 47011 | ProfiClear Premium Compact-M gravity OC [GB] | | | |
| 77 | 47010 | ProfiClear Premium Compact-M gravity OC [INT] | 49847 | Cover cap nut M6 | 1 |
| | 47011 | ProfiClear Premium Compact-M gravity OC [GB] | | | |

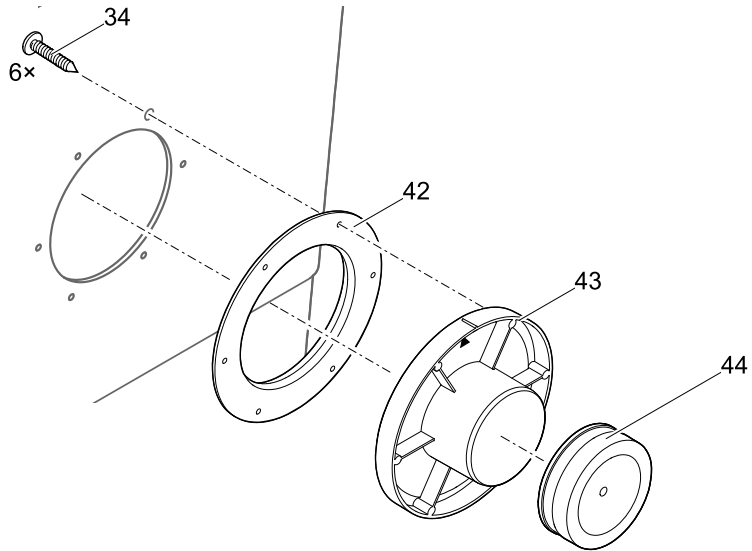
| Item no. | Product |
|----------|---|
| 49979 | ProfiClear Premium Compact-L pumped OC |
| 49980 | GB ProfiClear Premium Compact-L pumped OC |



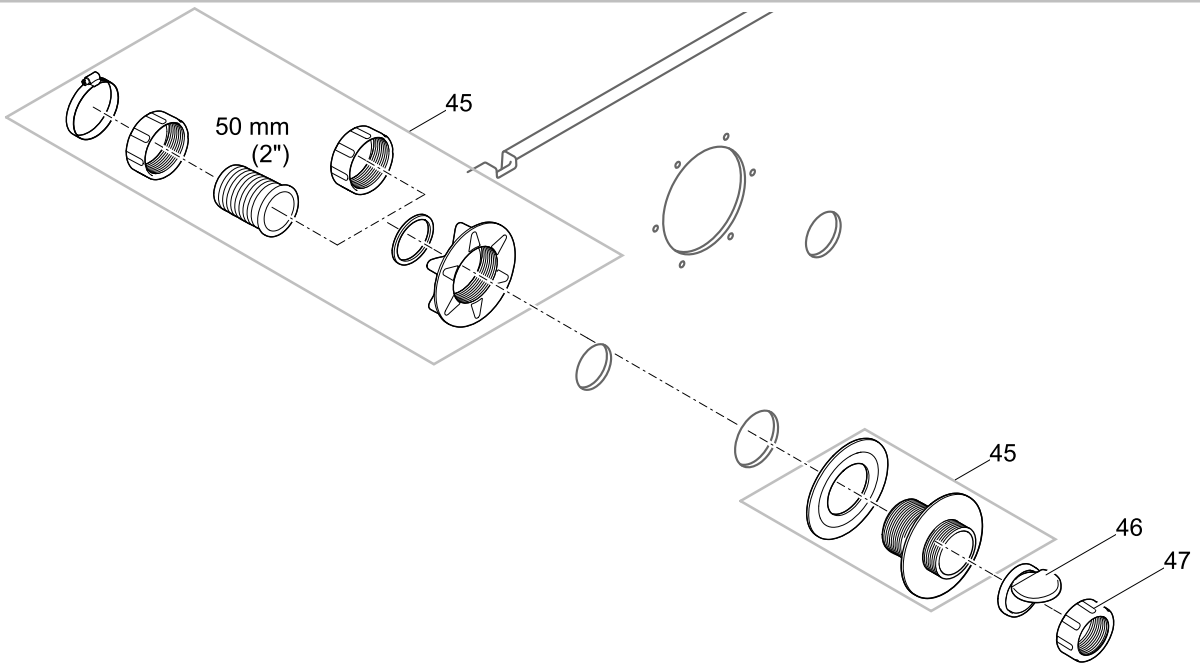




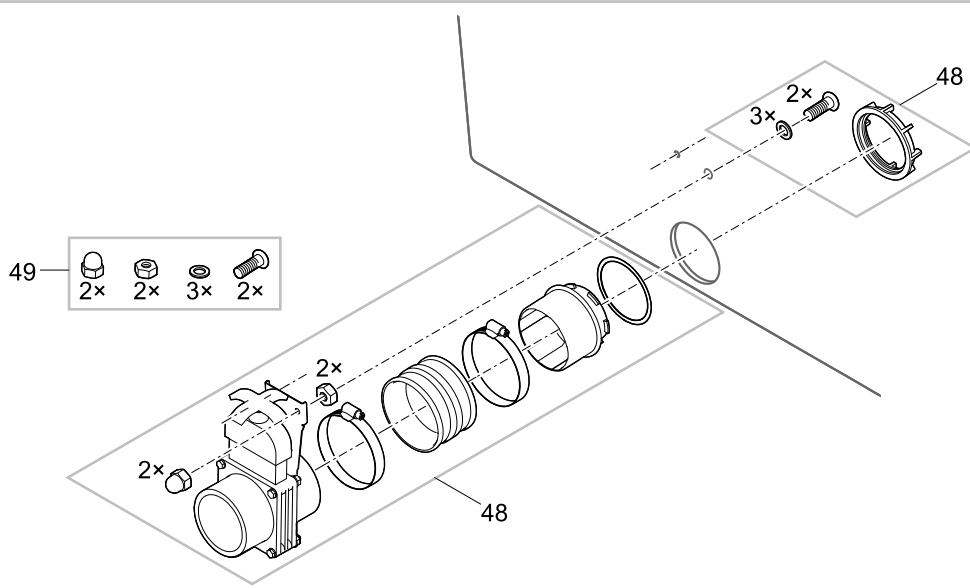
D

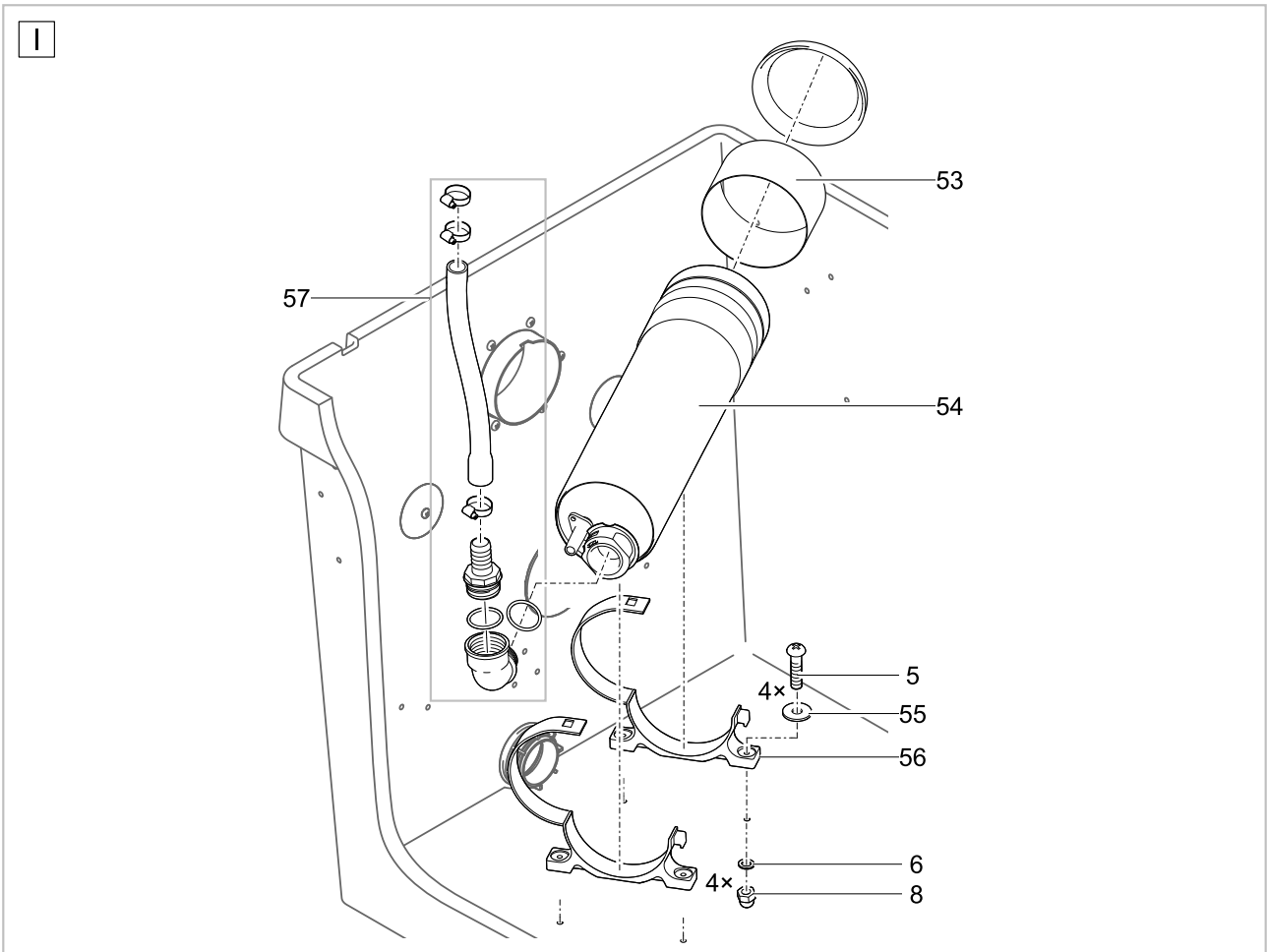
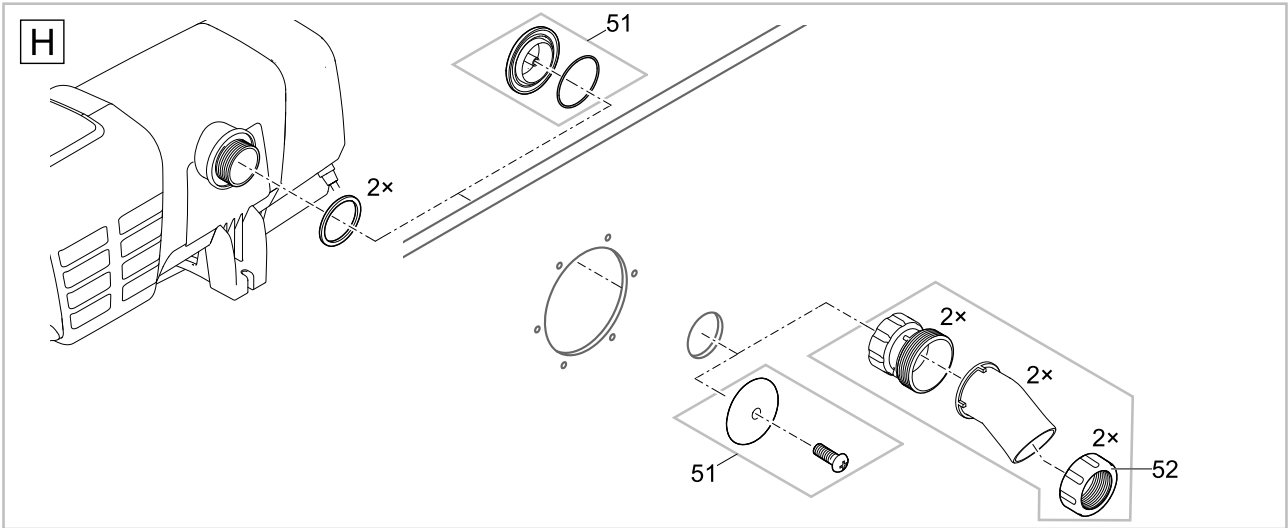
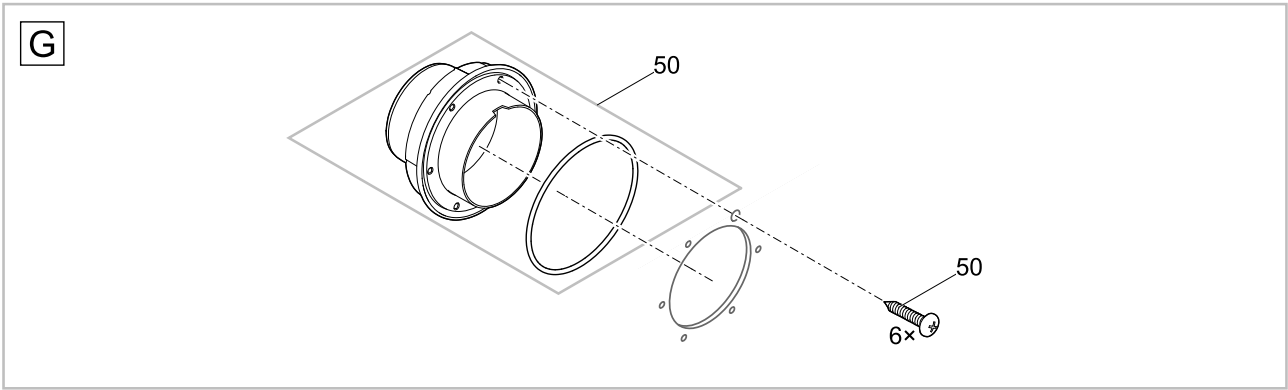


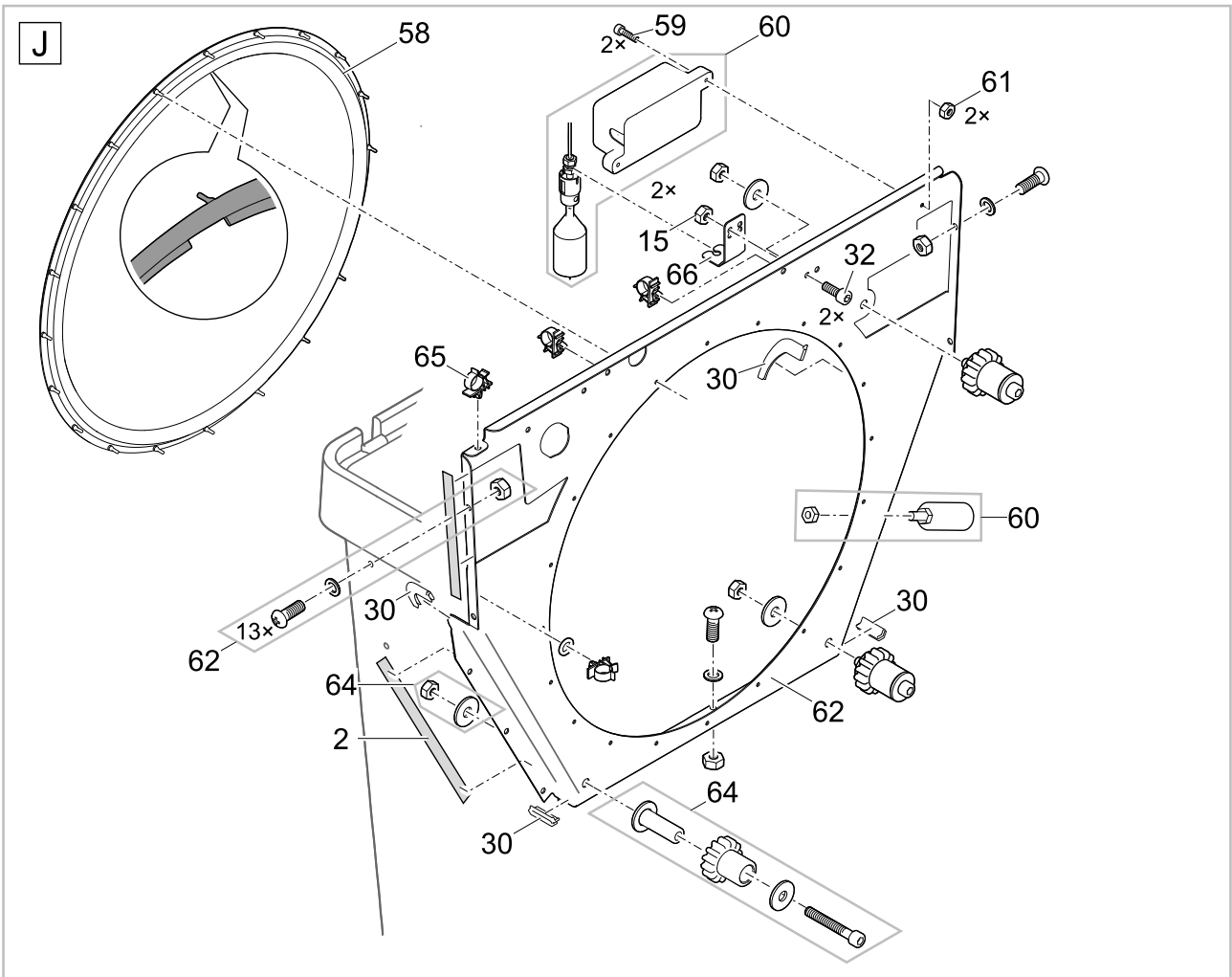
E



F





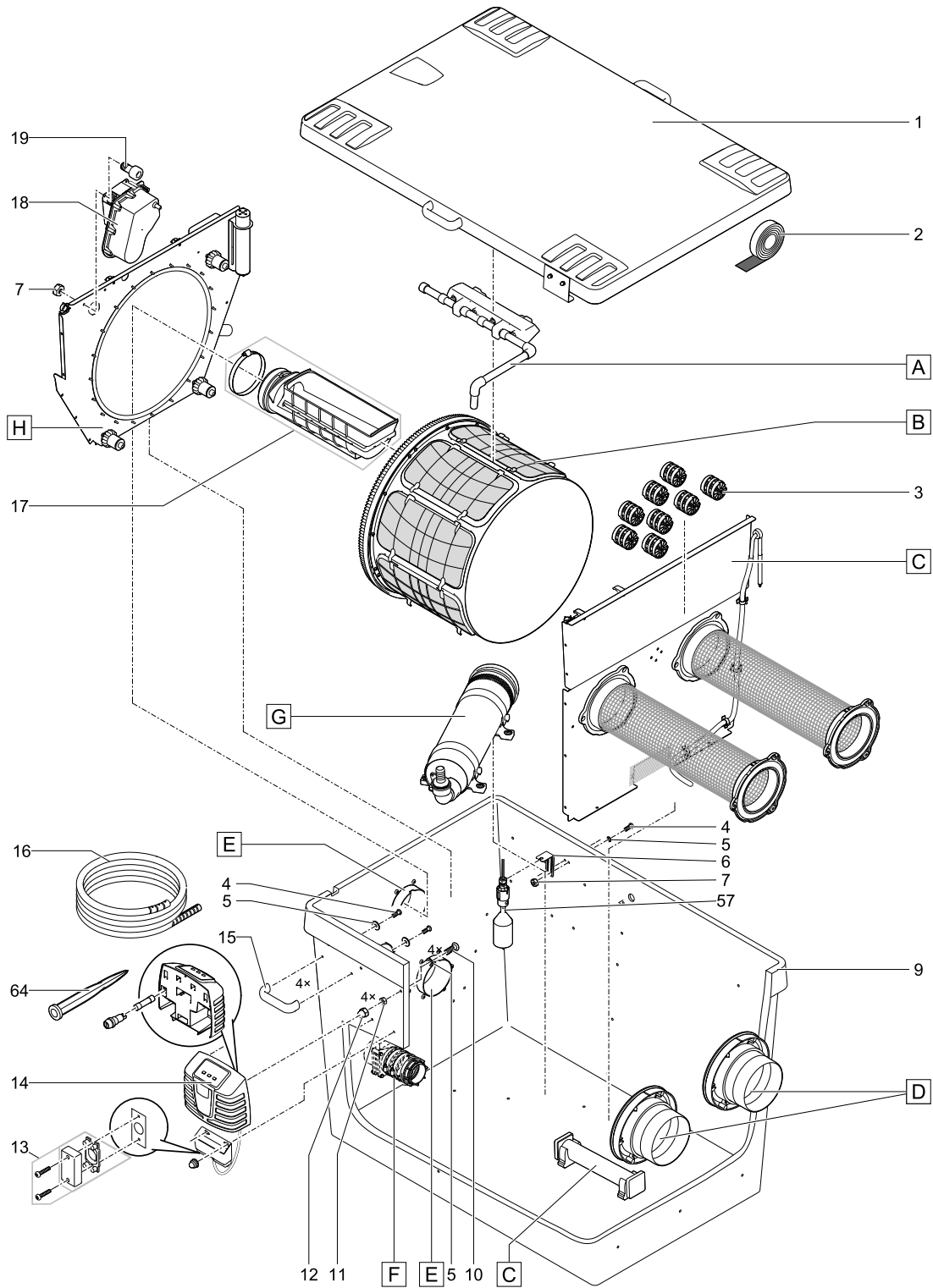


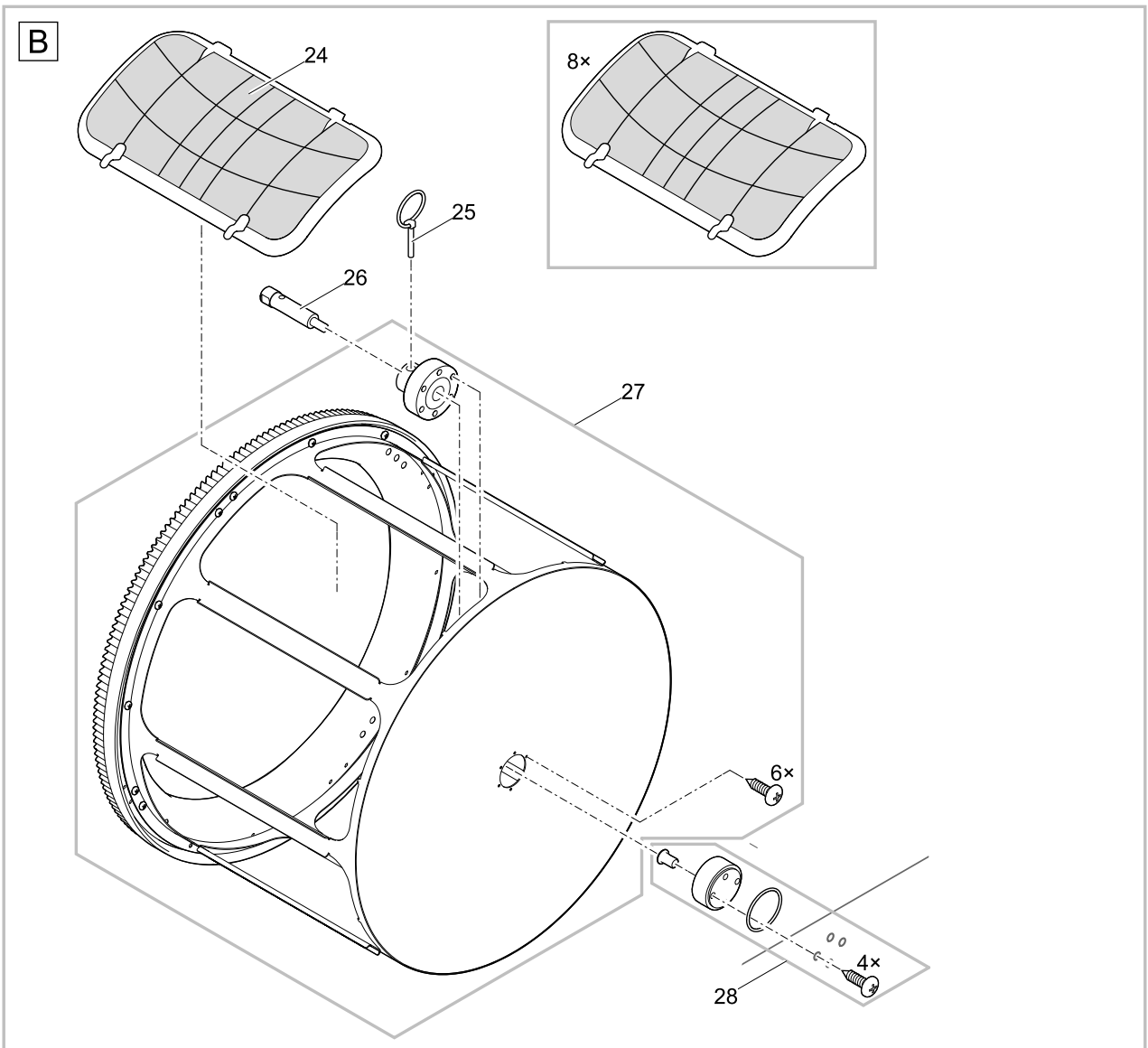
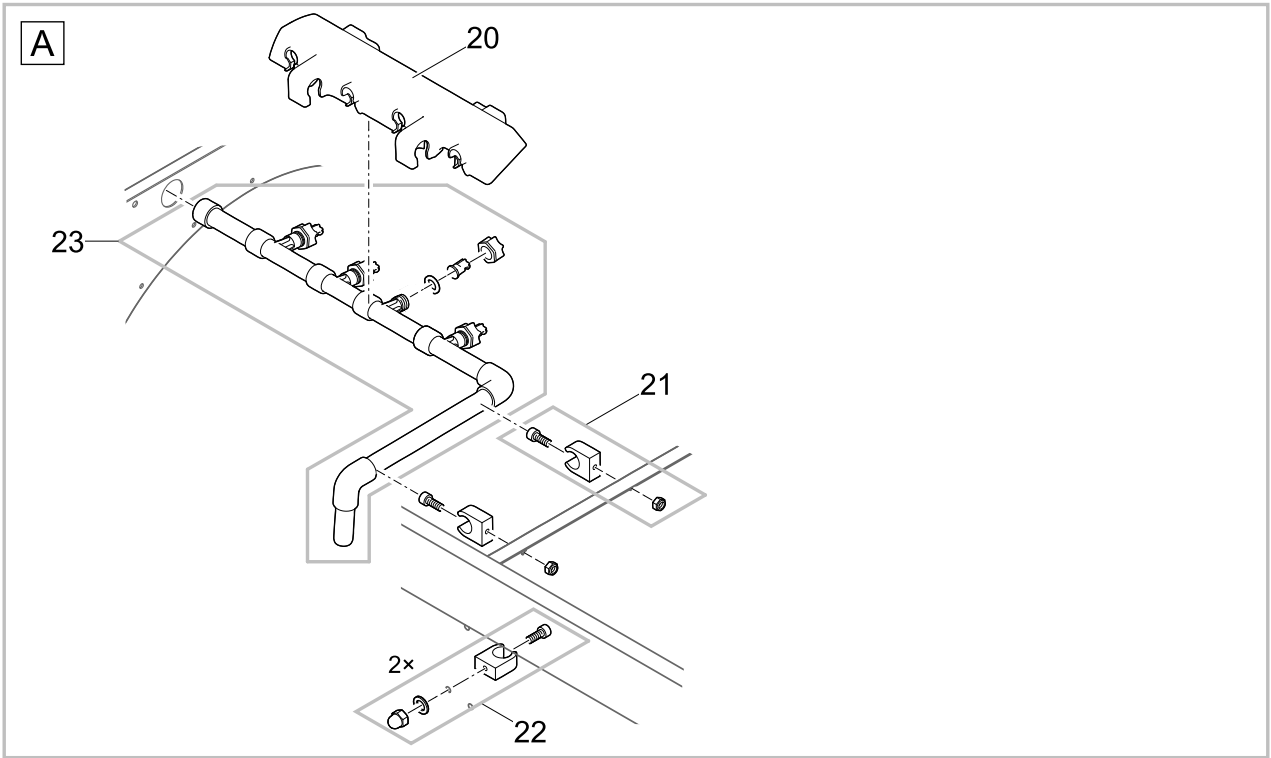
| Pos. | Item no. Product | Product | Item no. Spare part | Spare part | Number |
|------|---------------------|--|------------------------|---------------------------------------|--------|
| 1 | 49979 | ProfiClear Premium Compact-L pumped OC [INT] | 54453 | ASM cover PCP Compact-L | 1 |
| | 49980 | ProfiClear Premium Compact-L pumped OC [GB] | | | |
| 2 | 49979 | ProfiClear Premium Compact-L pumped OC [INT] | 41300 | Foamed rubber band drum filter 2018 | - |
| | 49980 | ProfiClear Premium Compact-L pumped OC [GB] | | | |
| 3 | 49979 | ProfiClear Premium Compact-L pumped OC [INT] | 43383 | Add. pack Hel-X 13 mm 20 l | 1 |
| | 49980 | ProfiClear Premium Compact-L pumped OC [GB] | | | |
| 4 | 49979 | ProfiClear Premium Compact-L pumped OC [INT] | 51911 | Container PCP Compact-L pump-fed | 1 |
| | 49980 | ProfiClear Premium Compact-L pumped OC [GB] | | | |
| 5 | 49979 | ProfiClear Premium Compact-L pumped OC [INT] | 17918 | Oval head screw V2A DIN 7985 M6 x 25 | 1 |
| | 49980 | ProfiClear Premium Compact-L pumped OC [GB] | | | |
| 6 | 49979 | ProfiClear Premium Compact-L pumped OC [INT] | 20609 | Fiberplate DIN 7603 6 x 12 x 1 mm | 1 |
| | 49980 | ProfiClear Premium Compact-L pumped OC [GB] | | | |
| 7 | 49979 | ProfiClear Premium Compact-L pumped OC [INT] | 6105 | Hexagon nut V2A DIN 934 M6 | 1 |
| | 49980 | ProfiClear Premium Compact-L pumped OC [GB] | | | |
| 8 | 49979 | ProfiClear Premium Compact-L pumped OC [INT] | 6117 | Cap nut V2A DIN 1587 M6 | 1 |
| | 49980 | ProfiClear Premium Compact-L pumped OC [GB] | | | |
| 9 | 49979 | ProfiClear Premium Compact-L pumped OC [INT] | 43867 | Spare set ASM gland seal | 1 |
| | 49980 | ProfiClear Premium Compact-L pumped OC [GB] | | | |
| 10 | 49979 | ProfiClear Premium Compact-L pumped OC [INT] | 93818 | Spare controller drum filter M/L | 1 |
| | 49980 | ProfiClear Premium Compact-L pumped OC [GB] | | | |
| 11 | 49979 | ProfiClear Premium Compact-L pumped OC [INT] | 35676 | Strap grip PA black | 1 |
| | 49980 | ProfiClear Premium Compact-L pumped OC [GB] | | | |
| 12 | 49979 | ProfiClear Premium Compact-L pumped OC [INT] | 14596 | Oval head screw V2A DIN 7985 M6 x 16 | 1 |
| | 49980 | ProfiClear Premium Compact-L pumped OC [GB] | | | |
| 13 | 49979 | ProfiClear Premium Compact-L pumped OC [INT] | 90118 | Spare cable protection 0.85 m | 1 |
| | 49980 | ProfiClear Premium Compact-L pumped OC [GB] | | | |
| 14 | 49979 | ProfiClear Premium Compact-L pumped OC [INT] | 48173 | ASM waste channel PCP DF-L 2017 | 1 |
| | 49980 | ProfiClear Premium Compact-L pumped OC [GB] | | | |
| 15 | 49979 | ProfiClear Premium Compact-L pumped OC [INT] | 6128 | Lock nut V2A DIN 985 M6 | 1 |
| | 49980 | ProfiClear Premium Compact-L pumped OC [GB] | | | |
| 16 | 49979 | ProfiClear Premium Compact-L pumped OC [INT] | 72198 | Spare ASM drum motor pump-fed | 1 |
| | 49980 | ProfiClear Premium Compact-L pumped OC [GB] | | | |
| 17 | 49979 | ProfiClear Premium Compact-L pumped OC [INT] | 5948 | Cylinder screw V2A DIN 912 6 x 12 | 1 |
| | 49980 | ProfiClear Premium Compact-L pumped OC [GB] | | | |
| 18 | 49979 | ProfiClear Premium Compact-L pumped OC [INT] | 49019 | Cover cleaning tube DF-L 2017 inject | 1 |
| | 49980 | ProfiClear Premium Compact-L pumped OC [GB] | | | |
| 19 | 49979 | ProfiClear Premium Compact-L pumped OC [INT] | 49035 | Spare cleaning tube bracket PCP 2017 | 1 |
| | 49980 | ProfiClear Premium Compact-L pumped OC [GB] | | | |
| 20 | 49979 | ProfiClear Premium Compact-L pumped OC [INT] | 18790 | Spare hose bracket ProfiClear Premium | 1 |
| | 49980 | ProfiClear Premium Compact-L pumped OC [GB] | | | |
| 21 | 49979 | ProfiClear Premium Compact-L pumped OC [INT] | 54466 | ASM cleaning tube DF-Compact-L | 1 |
| | 49980 | ProfiClear Premium Compact-L pumped OC [GB] | | | |
| 22 | 49979 | ProfiClear Premium Compact-L pumped OC [INT] | 19004 | ASM sieve frame 150 µm | 1 |
| | 49980 | ProfiClear Premium Compact-L pumped OC [GB] | | | |
| 23 | 49979 | ProfiClear Premium Compact-L pumped OC [INT] | 19515 | Locking pin V2A DIN 11023 - 6 mm | 1 |
| | 49980 | ProfiClear Premium Compact-L pumped OC [GB] | | | |
| 24 | 49979 | ProfiClear Premium Compact-L pumped OC [INT] | 16288 | Drum shaft | 1 |
| | 49980 | ProfiClear Premium Compact-L pumped OC [GB] | | | |

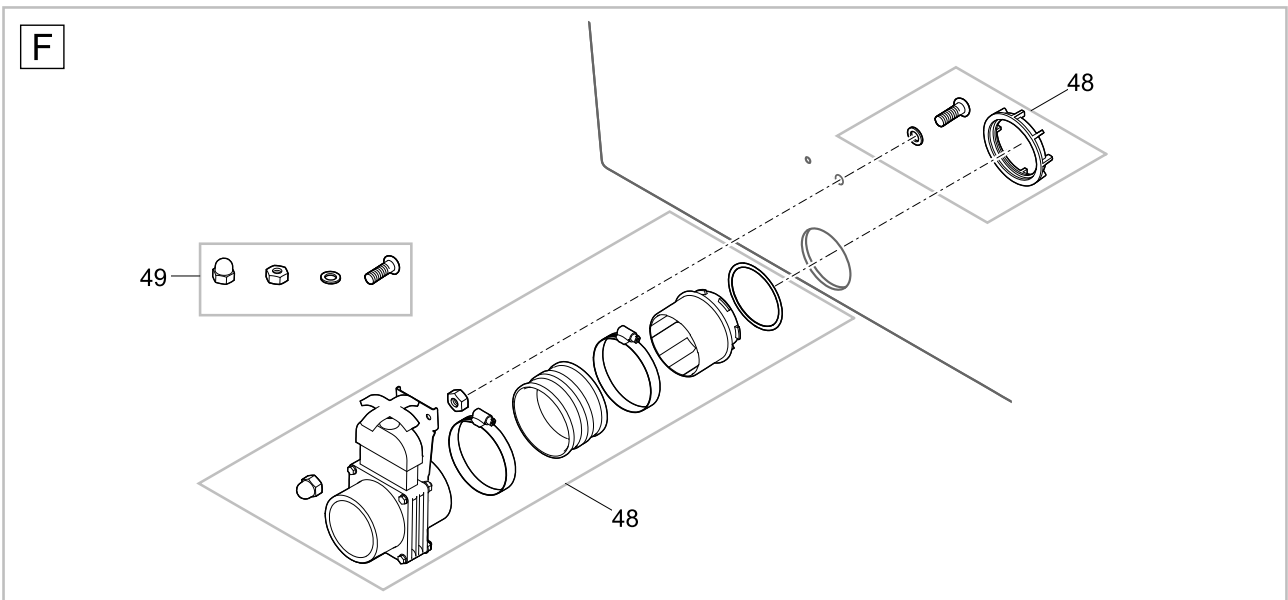
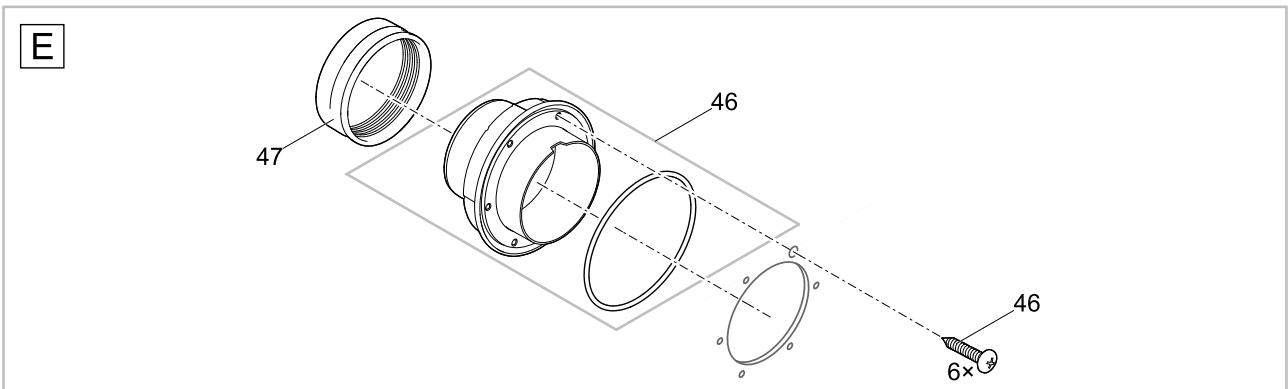
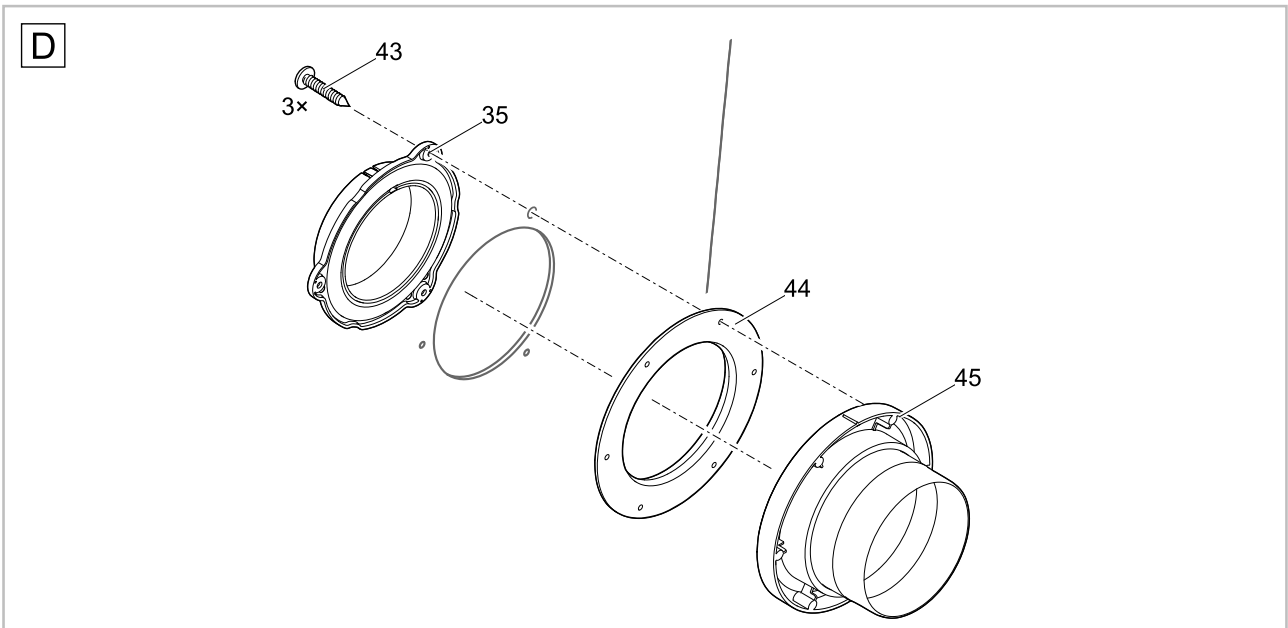
| Pos. | Item no. Product | Product | Item no. Spare part | Spare part | Number |
|------|---------------------|--|------------------------|--|--------|
| 25 | 49979 | ProfiClear Premium Compact-L pumped OC [INT] | 18796 | Spare drum ProfiClear Premium | 1 |
| | 49980 | ProfiClear Premium Compact-L pumped OC [GB] | | | |
| 26 | 49979 | ProfiClear Premium Compact-L pumped OC [INT] | 18791 | Spare drum bearing drum filter | 1 |
| | 49980 | ProfiClear Premium Compact-L pumped OC [GB] | | | |
| 27 | 49979 | ProfiClear Premium Compact-L pumped OC [INT] | 70641 | Spare seperating wall middle Comp.L pump | 1 |
| | 49980 | ProfiClear Premium Compact-L pumped OC [GB] | | | |
| 28 | 49979 | ProfiClear Premium Compact-L pumped OC [INT] | 70637 | Spare connection air stone Comp. L pump | 1 |
| | 49980 | ProfiClear Premium Compact-L pumped OC [GB] | | | |
| 29 | 49979 | ProfiClear Premium Compact-L pumped OC [INT] | 42890 | Add. pack air connector ProfiCl. Compact | 1 |
| | 49980 | ProfiClear Premium Compact-L pumped OC [GB] | | | |
| 30 | 49979 | ProfiClear Premium Compact-L pumped OC [INT] | 70639 | Spare gasket set sep. wall Compact L | 1 |
| | 49980 | ProfiClear Premium Compact-L pumped OC [GB] | | | |
| 31 | 49979 | ProfiClear Premium Compact-L pumped OC [INT] | 3861 | Cable tie 130 x 2.6 black | 1 |
| | 49980 | ProfiClear Premium Compact-L pumped OC [GB] | | | |
| 32 | 49979 | ProfiClear Premium Compact-L pumped OC [INT] | 15596 | Screw V4A DIN 912 M6 x 10 | 1 |
| | 49980 | ProfiClear Premium Compact-L pumped OC [GB] | | | |
| 33 | 49979 | ProfiClear Premium Compact-L pumped OC [INT] | 43353 | Mesh tube bracket | 1 |
| | 49980 | ProfiClear Premium Compact-L pumped OC [GB] | | | |
| 34 | 49979 | ProfiClear Premium Compact-L pumped OC [INT] | 70642 | Spare seperating wall rear Comp. L pump | 1 |
| | 49980 | ProfiClear Premium Compact-L pumped OC [GB] | | | |
| 35 | 49979 | ProfiClear Premium Compact-L pumped OC [INT] | 17216 | Airstone clamp bio filter | 1 |
| | 49980 | ProfiClear Premium Compact-L pumped OC [GB] | | | |
| 36 | 49979 | ProfiClear Premium Compact-L pumped OC [INT] | 17391 | Air stone ProfiClear Premium Moving Bed | 1 |
| | 49980 | ProfiClear Premium Compact-L pumped OC [GB] | | | |
| 37 | 49979 | ProfiClear Premium Compact-L pumped OC [INT] | 70010 | ASM mesh tube Compact L pumped | 1 |
| | 49980 | ProfiClear Premium Compact-L pumped OC [GB] | | | |
| 38 | 49979 | ProfiClear Premium Compact-L pumped OC [INT] | 12370 | Oval head screw H-V2A DIN 7985 M5 x 10 | 1 |
| | 49980 | ProfiClear Premium Compact-L pumped OC [GB] | | | |
| 39 | 49979 | ProfiClear Premium Compact-L pumped OC [INT] | 42860 | Perforated sheet ProfiCl. Compact middle | 1 |
| | 49980 | ProfiClear Premium Compact-L pumped OC [GB] | | | |
| 40 | 49979 | ProfiClear Premium Compact-L pumped OC [INT] | 14752 | Lock nut V2A DIN 985 M5 | 1 |
| | 49980 | ProfiClear Premium Compact-L pumped OC [GB] | | | |
| 42 | 49979 | ProfiClear Premium Compact-L pumped OC [INT] | 43756 | Gasket mesh tube 2016 | 1 |
| | 49980 | ProfiClear Premium Compact-L pumped OC [GB] | | | |
| 43 | 49979 | ProfiClear Premium Compact-L pumped OC [INT] | 26963 | Intake 100 | 1 |
| | 49980 | ProfiClear Premium Compact-L pumped OC [GB] | | | |
| 44 | 49979 | ProfiClear Premium Compact-L pumped OC [INT] | 16387 | Blanking cap DN 110 | 1 |
| | 49980 | ProfiClear Premium Compact-L pumped OC [GB] | | | |
| 45 | 49979 | ProfiClear Premium Compact-L pumped OC [INT] | 18798 | Spare grommet drum filter pump-fed | 1 |
| | 49980 | ProfiClear Premium Compact-L pumped OC [GB] | | | |
| 46 | 49979 | ProfiClear Premium Compact-L pumped OC [INT] | 48183 | Check valve 2" | 1 |
| | 49980 | ProfiClear Premium Compact-L pumped OC [GB] | | | |
| 47 | 49979 | ProfiClear Premium Compact-L pumped OC [INT] | 12097 | Retaining nut 2" | 1 |
| | 49980 | ProfiClear Premium Compact-L pumped OC [GB] | | | |
| 48 | 49979 | ProfiClear Premium Compact-L pumped OC [INT] | 70636 | Spare drain DN75 XL | 1 |
| | 49980 | ProfiClear Premium Compact-L pumped OC [GB] | | | |
| 49 | 49979 | ProfiClear Premium Compact-L pumped OC [INT] | 18448 | spare screw set drain DN75 Premium | 1 |
| | 49980 | ProfiClear Premium Compact-L pumped OC [GB] | | | |

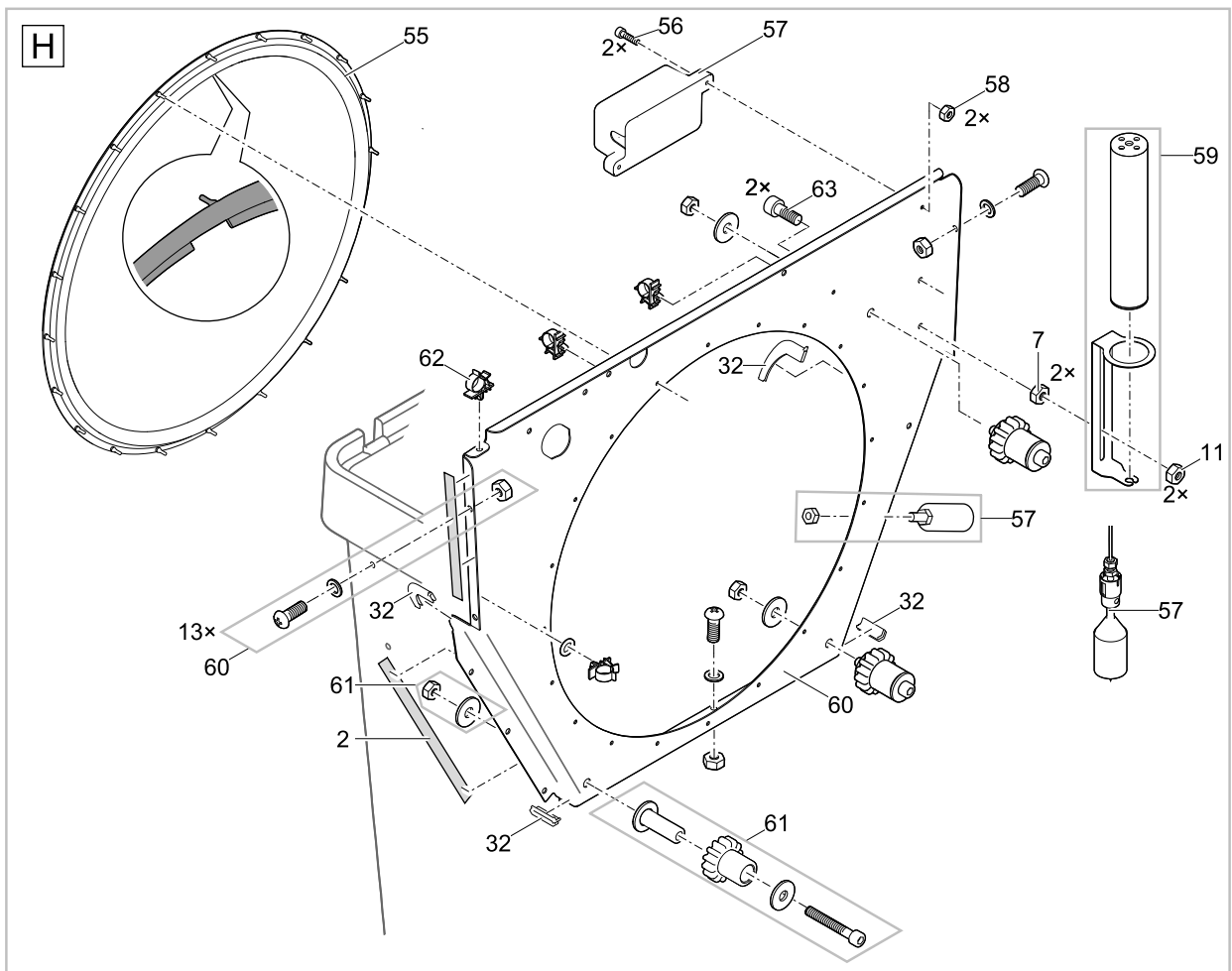
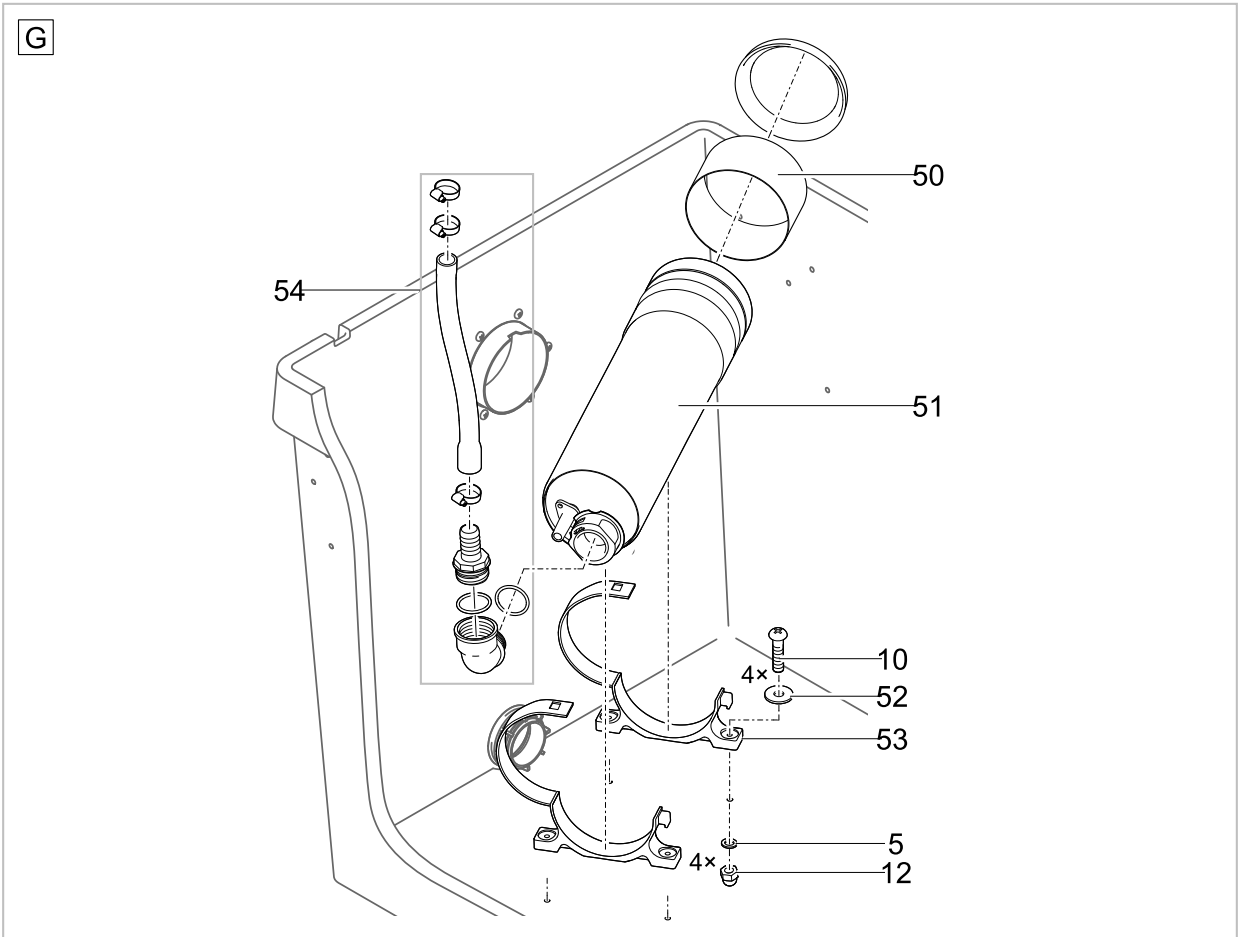
| Pos. | Item no. Product | Product | Item no. Spare part | Spare part | Number |
|------|---------------------|--|------------------------|--|--------|
| 50 | 49979 | ProfiClear Premium Compact-L pumped OC [INT] | 19005 | ASM connection set DN 110 | 1 |
| | 49980 | ProfiClear Premium Compact-L pumped OC [GB] | | | |
| 51 | 49979 | ProfiClear Premium Compact-L pumped OC [INT] | 35570 | Replacement Plug | 1 |
| | 49980 | ProfiClear Premium Compact-L pumped OC [GB] | | | |
| 52 | 49979 | ProfiClear Premium Compact-L pumped OC [INT] | 22746 | Add. pack drum filter pump-fed II | 1 |
| | 49980 | ProfiClear Premium Compact-L pumped OC [GB] | | | |
| 53 | 49979 | ProfiClear Premium Compact-L pumped OC [INT] | 18943 | Pre-filter rinse pump | 1 |
| | 49980 | ProfiClear Premium Compact-L pumped OC [GB] | | | |
| 54 | 49979 | ProfiClear Premium Compact-L pumped OC [INT] | 48178 | Rinse pump 6 bar - 2.7 m cable | 1 |
| | 49980 | ProfiClear Premium Compact-L pumped OC [GB] | | | |
| 55 | 49979 | ProfiClear Premium Compact-L pumped OC [INT] | 6143 | Washer VA DIN 9021 6.4 | 1 |
| | 49980 | ProfiClear Premium Compact-L pumped OC [GB] | | | |
| 56 | 49979 | ProfiClear Premium Compact-L pumped OC [INT] | 17043 | Fastening kit rinse pump | 1 |
| | 49980 | ProfiClear Premium Compact-L pumped OC [GB] | | | |
| 57 | 49979 | ProfiClear Premium Compact-L pumped OC [INT] | 70645 | Spare connector rinse pump Compact L | 1 |
| | 49980 | ProfiClear Premium Compact-L pumped OC [GB] | | | |
| 58 | 49979 | ProfiClear Premium Compact-L pumped OC [INT] | 23192 | Spare drum gasket | 1 |
| | 49980 | ProfiClear Premium Compact-L pumped OC [GB] | | | |
| 59 | 49979 | ProfiClear Premium Compact-L pumped OC [INT] | 20320 | Cylinder screw V2A DIN 912 M4 x 20 | 1 |
| | 49980 | ProfiClear Premium Compact-L pumped OC [GB] | | | |
| 60 | 49979 | ProfiClear Premium Compact-L pumped OC [INT] | 40129 | ASM signal box pumped | 1 |
| | 49980 | ProfiClear Premium Compact-L pumped OC [GB] | | | |
| 61 | 49979 | ProfiClear Premium Compact-L pumped OC [INT] | 11113 | Safety nut V2A DIN 985 M4 | 1 |
| | 49980 | ProfiClear Premium Compact-L pumped OC [GB] | | | |
| 62 | 49979 | ProfiClear Premium Compact-L pumped OC [INT] | 70640 | Spare seperating wall front Comp. L pump | 1 |
| | 49980 | ProfiClear Premium Compact-L pumped OC [GB] | | | |
| 64 | 49979 | ProfiClear Premium Compact-L pumped OC [INT] | 18794 | Spare plain roller drum filter | 1 |
| | 49980 | ProfiClear Premium Compact-L pumped OC [GB] | | | |
| 65 | 49979 | ProfiClear Premium Compact-L pumped OC [INT] | 19402 | Cable holder drum filter | 1 |
| | 49980 | ProfiClear Premium Compact-L pumped OC [GB] | | | |
| 66 | 49979 | ProfiClear Premium Compact-L pumped OC [INT] | 54618 | Mounting plate float sw. PCP-L pump 2017 | 1 |
| | 49980 | ProfiClear Premium Compact-L pumped OC [GB] | | | |

| Item no. | Product |
|----------|--|
| 49981 | ProfiClear Premium Compact-L gravity OC |
| 49982 | GB ProfiClear Premium Compact-L gravity OC |







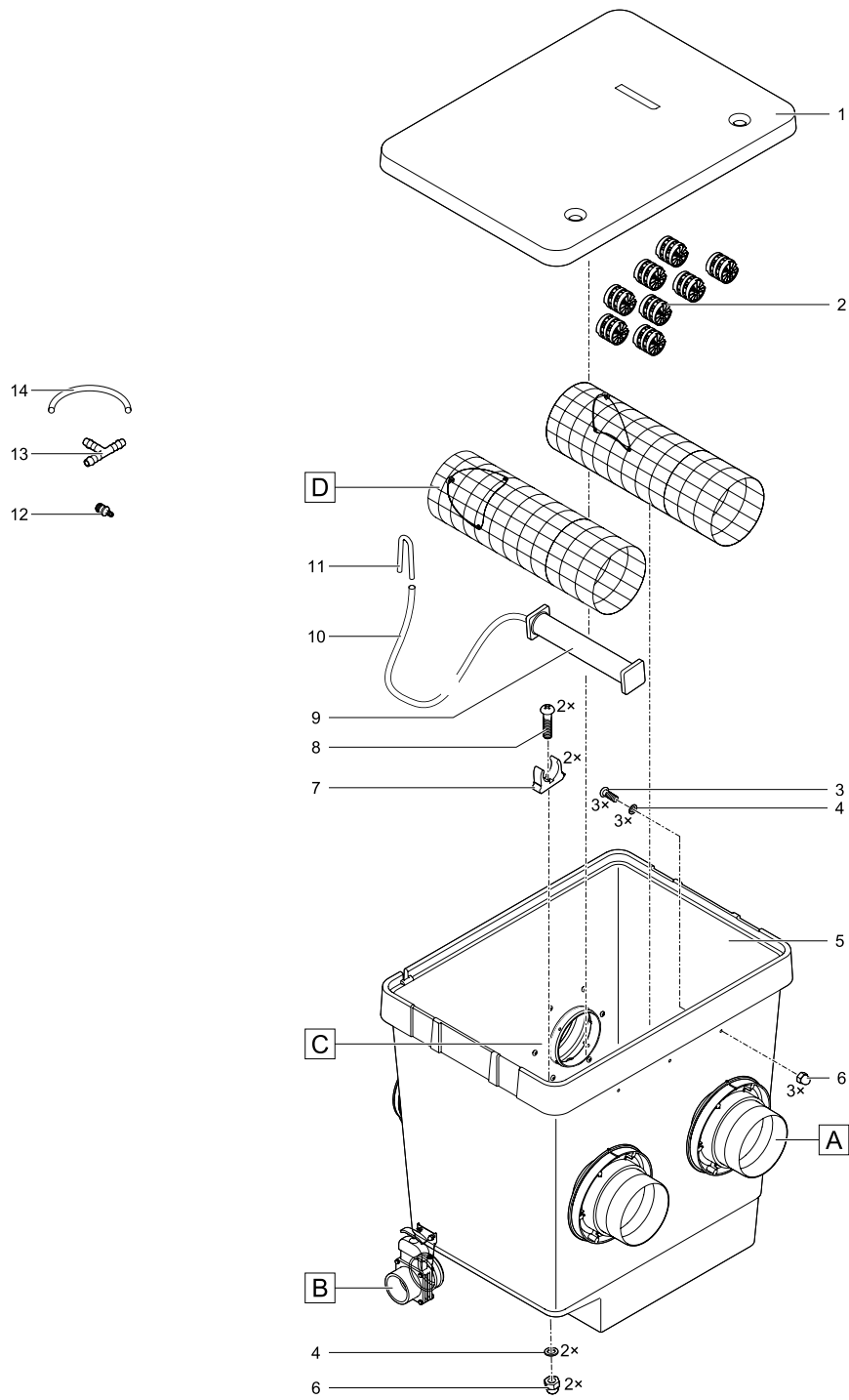


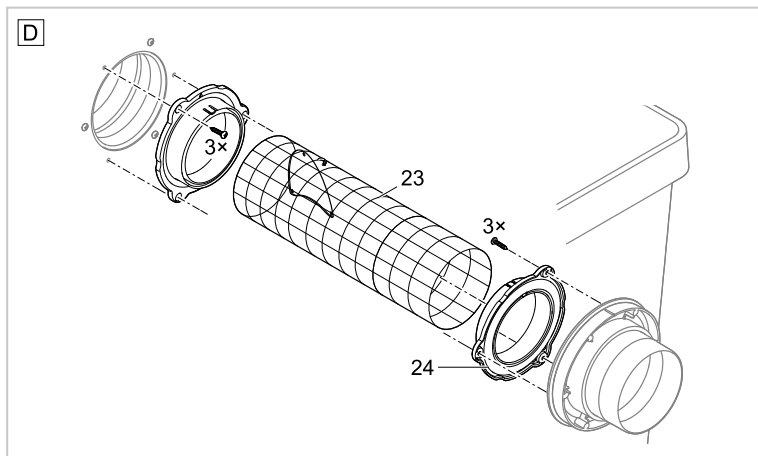
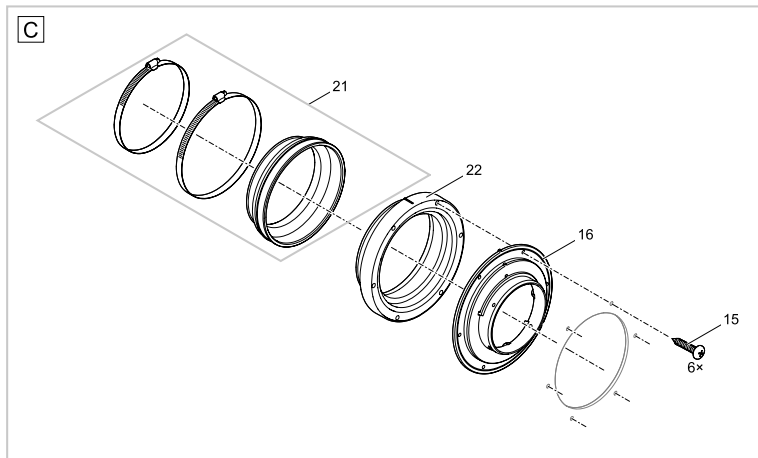
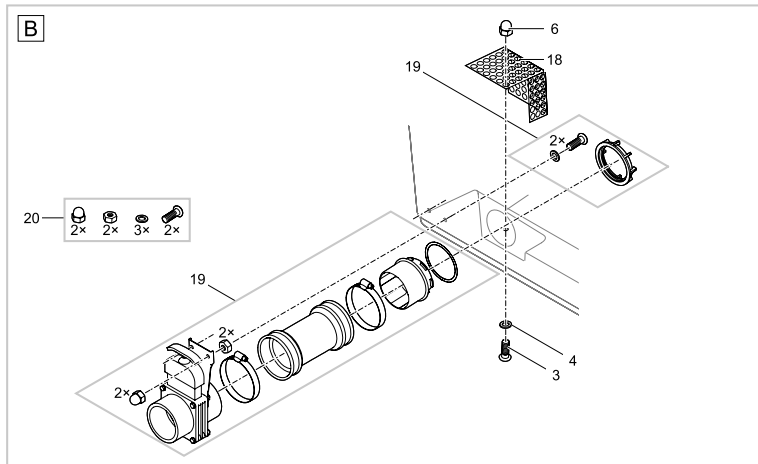
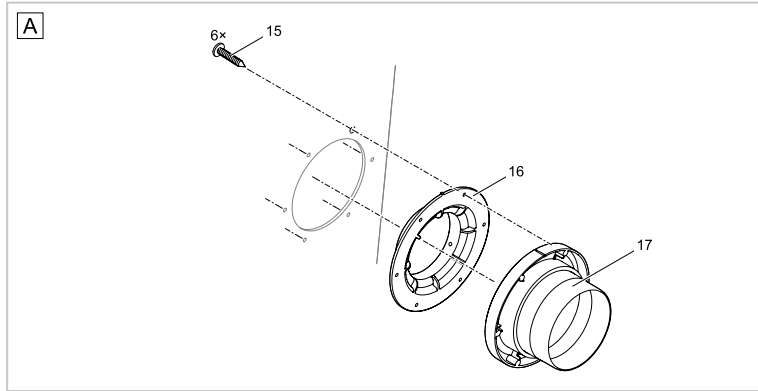
| Pos. | Item no. Product | Product | Item no. Spare part | Spare part | Number |
|------|---------------------|---|------------------------|--|--------|
| 1 | 49981 | ProfiClear Premium Compact-L gravity OC [INT] | 54453 | ASM cover PCP Compact-L | 1 |
| | 49982 | ProfiClear Premium Compact-L gravity OC [GB] | | | |
| 2 | 49981 | ProfiClear Premium Compact-L gravity OC [INT] | 41300 | Foamed rubber band drum filter 2018 | - |
| | 49982 | ProfiClear Premium Compact-L gravity OC [GB] | | | |
| 3 | 49981 | ProfiClear Premium Compact-L gravity OC [INT] | 43383 | Add. pack Hel-X 13 mm 20 l | 1 |
| | 49982 | ProfiClear Premium Compact-L gravity OC [GB] | | | |
| 4 | 49981 | ProfiClear Premium Compact-L gravity OC [INT] | 14596 | Oval head screw V2A DIN 7985 M6 x 16 | 1 |
| | 49982 | ProfiClear Premium Compact-L gravity OC [GB] | | | |
| 5 | 49981 | ProfiClear Premium Compact-L gravity OC [INT] | 20609 | Fiberplate DIN 7603 6 x 12 x 1 mm | 1 |
| | 49982 | ProfiClear Premium Compact-L gravity OC [GB] | | | |
| 6 | 49981 | ProfiClear Premium Compact-L gravity OC [INT] | 48250 | Mounting plate float switch PCP Gravi.II | 1 |
| | 49982 | ProfiClear Premium Compact-L gravity OC [GB] | | | |
| 7 | 49981 | ProfiClear Premium Compact-L gravity OC [INT] | 6128 | Lock nut V2A DIN 985 M6 | 1 |
| | 49982 | ProfiClear Premium Compact-L gravity OC [GB] | | | |
| 9 | 49981 | ProfiClear Premium Compact-L gravity OC [INT] | 51912 | Container PCP Compact-L gravity | 1 |
| | 49982 | ProfiClear Premium Compact-L gravity OC [GB] | | | |
| 10 | 49981 | ProfiClear Premium Compact-L gravity OC [INT] | 17918 | Oval head screw V2A DIN 7985 M6 x 25 | 1 |
| | 49982 | ProfiClear Premium Compact-L gravity OC [GB] | | | |
| 11 | 49981 | ProfiClear Premium Compact-L gravity OC [INT] | 6105 | Hexagon nut V2A DIN 934 M6 | 1 |
| | 49982 | ProfiClear Premium Compact-L gravity OC [GB] | | | |
| 12 | 49981 | ProfiClear Premium Compact-L gravity OC [INT] | 6117 | Cap nut V2A DIN 1587 M6 | 1 |
| | 49982 | ProfiClear Premium Compact-L gravity OC [GB] | | | |
| 13 | 49981 | ProfiClear Premium Compact-L gravity OC [INT] | 43867 | Spare set ASM gland seal | 1 |
| | 49982 | ProfiClear Premium Compact-L gravity OC [GB] | | | |
| 14 | 49981 | ProfiClear Premium Compact-L gravity OC [INT] | 93818 | Spare controller drum filter M/L | 1 |
| | 49982 | ProfiClear Premium Compact-L gravity OC [GB] | | | |
| 15 | 49981 | ProfiClear Premium Compact-L gravity OC [INT] | 35676 | Strap grip PA black | 1 |
| | 49982 | ProfiClear Premium Compact-L gravity OC [GB] | | | |
| 16 | 49981 | ProfiClear Premium Compact-L gravity OC [INT] | 90119 | Spare cable protection 5.0 m | 1 |
| | 49982 | ProfiClear Premium Compact-L gravity OC [GB] | | | |
| 17 | 49981 | ProfiClear Premium Compact-L gravity OC [INT] | 48173 | ASM waste channel PCP DF-L 2017 | 1 |
| | 49982 | ProfiClear Premium Compact-L gravity OC [GB] | | | |
| 18 | 49981 | ProfiClear Premium Compact-L gravity OC [INT] | 71771 | Spare ASM drum motor | 1 |
| | 49982 | ProfiClear Premium Compact-L gravity OC [GB] | | | |
| 19 | 49981 | ProfiClear Premium Compact-L gravity OC [INT] | 5948 | Cylinder screw V2A DIN 912 6 x 12 | 1 |
| | 49982 | ProfiClear Premium Compact-L gravity OC [GB] | | | |
| 20 | 49981 | ProfiClear Premium Compact-L gravity OC [INT] | 49019 | Cover cleaning tube DF-L 2017 inject | 1 |
| | 49982 | ProfiClear Premium Compact-L gravity OC [GB] | | | |
| 21 | 49981 | ProfiClear Premium Compact-L gravity OC [INT] | 49035 | Spare cleaning tube bracket PCP 2017 | 1 |
| | 49982 | ProfiClear Premium Compact-L gravity OC [GB] | | | |
| 22 | 49981 | ProfiClear Premium Compact-L gravity OC [INT] | 18790 | Spare hose bracket ProfiClear Premium | 1 |
| | 49982 | ProfiClear Premium Compact-L gravity OC [GB] | | | |
| 23 | 49981 | ProfiClear Premium Compact-L gravity OC [INT] | 54466 | ASM cleaning tube DF-Compact-L | 1 |
| | 49982 | ProfiClear Premium Compact-L gravity OC [GB] | | | |
| 24 | 49981 | ProfiClear Premium Compact-L gravity OC [INT] | 19004 | ASM sieve frame 150 µm | 1 |
| | 49982 | ProfiClear Premium Compact-L gravity OC [GB] | | | |

| Pos. | Item no. Product | Product | Item no. Spare part | Spare part | Number |
|------|---------------------|---|------------------------|--|--------|
| 25 | 49981 | ProfiClear Premium Compact-L gravity OC [INT] | 19515 | Locking pin V2A DIN 11023 - 6 mm | 1 |
| | 49982 | ProfiClear Premium Compact-L gravity OC [GB] | | | |
| 26 | 49981 | ProfiClear Premium Compact-L gravity OC [INT] | 16288 | Drum shaft | 1 |
| | 49982 | ProfiClear Premium Compact-L gravity OC [GB] | | | |
| 27 | 49981 | ProfiClear Premium Compact-L gravity OC [INT] | 18796 | Spare drum ProfiClear Premium | 1 |
| | 49982 | ProfiClear Premium Compact-L gravity OC [GB] | | | |
| 28 | 49981 | ProfiClear Premium Compact-L gravity OC [INT] | 18791 | Spare drum bearing drum filter | 1 |
| | 49982 | ProfiClear Premium Compact-L gravity OC [GB] | | | |
| 29 | 49981 | ProfiClear Premium Compact-L gravity OC [INT] | 70644 | Spare seperating wall middle Comp.L grav | 1 |
| | 49982 | ProfiClear Premium Compact-L gravity OC [GB] | | | |
| 30 | 49981 | ProfiClear Premium Compact-L gravity OC [INT] | 70638 | Spare connection air stone Comp. L grav | 1 |
| | 49982 | ProfiClear Premium Compact-L gravity OC [GB] | | | |
| 31 | 49981 | ProfiClear Premium Compact-L gravity OC [INT] | 42890 | Add. pack air connector ProfiCl. Compact | 1 |
| | 49982 | ProfiClear Premium Compact-L gravity OC [GB] | | | |
| 32 | 49981 | ProfiClear Premium Compact-L gravity OC [INT] | 70639 | Spare gasket set sep. wall Compact L | 1 |
| | 49982 | ProfiClear Premium Compact-L gravity OC [GB] | | | |
| 34 | 49981 | ProfiClear Premium Compact-L gravity OC [INT] | 3861 | Cable tie 130 x 2.6 black | 1 |
| | 49982 | ProfiClear Premium Compact-L gravity OC [GB] | | | |
| 35 | 49981 | ProfiClear Premium Compact-L gravity OC [INT] | 43353 | Mesh tube bracket | 1 |
| | 49982 | ProfiClear Premium Compact-L gravity OC [GB] | | | |
| 36 | 49981 | ProfiClear Premium Compact-L gravity OC [INT] | 15596 | Screw V4A DIN 912 M6 x 10 | 1 |
| | 49982 | ProfiClear Premium Compact-L gravity OC [GB] | | | |
| 37 | 49981 | ProfiClear Premium Compact-L gravity OC [INT] | 17216 | Airstone clamp bio filter | 1 |
| | 49982 | ProfiClear Premium Compact-L gravity OC [GB] | | | |
| 38 | 49981 | ProfiClear Premium Compact-L gravity OC [INT] | 17391 | Air stone ProfiClear Premium Moving Bed | 1 |
| | 49982 | ProfiClear Premium Compact-L gravity OC [GB] | | | |
| 39 | 49981 | ProfiClear Premium Compact-L gravity OC [INT] | 70013 | ASM mesh tube Compact L Gravity | 1 |
| | 49982 | ProfiClear Premium Compact-L gravity OC [GB] | | | |
| 40 | 49981 | ProfiClear Premium Compact-L gravity OC [INT] | 12370 | Oval head screw H-V2A DIN 7985 M5 x 10 | 1 |
| | 49982 | ProfiClear Premium Compact-L gravity OC [GB] | | | |
| 41 | 49981 | ProfiClear Premium Compact-L gravity OC [INT] | 42860 | Perforated sheet ProfiCl. Compact middle | 1 |
| | 49982 | ProfiClear Premium Compact-L gravity OC [GB] | | | |
| 42 | 49981 | ProfiClear Premium Compact-L gravity OC [INT] | 14752 | Lock nut V2A DIN 985 M5 | 1 |
| | 49982 | ProfiClear Premium Compact-L gravity OC [GB] | | | |
| 43 | 49981 | ProfiClear Premium Compact-L gravity OC [INT] | 27572 | Oval head screw CZ-V2A DIN 7981 6.3 x 32 | 1 |
| | 49982 | ProfiClear Premium Compact-L gravity OC [GB] | | | |
| 44 | 49981 | ProfiClear Premium Compact-L gravity OC [INT] | 43756 | Gasket mesh tube 2016 | 1 |
| | 49982 | ProfiClear Premium Compact-L gravity OC [GB] | | | |
| 45 | 49981 | ProfiClear Premium Compact-L gravity OC [INT] | 26958 | Outlet 150/1 ProfiClear M 2 - M 5 | 1 |
| | 49982 | ProfiClear Premium Compact-L gravity OC [GB] | | | |
| 46 | 49981 | ProfiClear Premium Compact-L gravity OC [INT] | 19005 | ASM connection set DN 110 | 1 |
| | 49982 | ProfiClear Premium Compact-L gravity OC [GB] | | | |
| 47 | 49981 | ProfiClear Premium Compact-L gravity OC [INT] | 16387 | Blanking cap DN 110 | 1 |
| | 49982 | ProfiClear Premium Compact-L gravity OC [GB] | | | |
| 48 | 49981 | ProfiClear Premium Compact-L gravity OC [INT] | 70636 | Spare drain DN75 XL | 1 |
| | 49982 | ProfiClear Premium Compact-L gravity OC [GB] | | | |
| 49 | 49981 | ProfiClear Premium Compact-L gravity OC [INT] | 18448 | spare screw set drain DN75 Premium | 1 |
| | 49982 | ProfiClear Premium Compact-L gravity OC [GB] | | | |

| Pos. | Item no. Product | Product | Item no. Spare part | Spare part | Number |
|------|---------------------|---|------------------------|--|--------|
| 50 | 49981 | ProfiClear Premium Compact-L gravity OC [INT] | 18943 | Pre-filter rinse pump | 1 |
| | 49982 | ProfiClear Premium Compact-L gravity OC [GB] | | | |
| 51 | 49981 | ProfiClear Premium Compact-L gravity OC [INT] | 16566 | Rinse pump 6 bar - 6.35 m cable | 1 |
| | 49982 | ProfiClear Premium Compact-L gravity OC [GB] | | | |
| 52 | 49981 | ProfiClear Premium Compact-L gravity OC [INT] | 6143 | Washer VA DIN 9021 6.4 | 1 |
| | 49982 | ProfiClear Premium Compact-L gravity OC [GB] | | | |
| 53 | 49981 | ProfiClear Premium Compact-L gravity OC [INT] | 17043 | Fastening kit rinse pump | 1 |
| | 49982 | ProfiClear Premium Compact-L gravity OC [GB] | | | |
| 54 | 49981 | ProfiClear Premium Compact-L gravity OC [INT] | 70645 | Spare connector rinse pump Compact L | 1 |
| | 49982 | ProfiClear Premium Compact-L gravity OC [GB] | | | |
| 55 | 49981 | ProfiClear Premium Compact-L gravity OC [INT] | 23192 | Spare drum gasket | 1 |
| | 49982 | ProfiClear Premium Compact-L gravity OC [GB] | | | |
| 56 | 49981 | ProfiClear Premium Compact-L gravity OC [INT] | 20320 | Cylinder screw V2A DIN 912 M4 x 20 | 1 |
| | 49982 | ProfiClear Premium Compact-L gravity OC [GB] | | | |
| 57 | 49981 | ProfiClear Premium Compact-L gravity OC [INT] | 43493 | ASM signal box DF Gravity 2017 | 1 |
| | 49982 | ProfiClear Premium Compact-L gravity OC [GB] | | | |
| 58 | 49981 | ProfiClear Premium Compact-L gravity OC [INT] | 11113 | Safety nut V2A DIN 985 M4 | 1 |
| | 49982 | ProfiClear Premium Compact-L gravity OC [GB] | | | |
| 59 | 49981 | ProfiClear Premium Compact-L gravity OC [INT] | 42872 | ASM tube float switch gravity drum filt. | 1 |
| | 49982 | ProfiClear Premium Compact-L gravity OC [GB] | | | |
| 60 | 49981 | ProfiClear Premium Compact-L gravity OC [INT] | 70643 | Spare seperating wall front Comp.L grav. | 1 |
| | 49982 | ProfiClear Premium Compact-L gravity OC [GB] | | | |
| 61 | 49981 | ProfiClear Premium Compact-L gravity OC [INT] | 18794 | Spare plain roller drum filter | 1 |
| | 49982 | ProfiClear Premium Compact-L gravity OC [GB] | | | |
| 62 | 49981 | ProfiClear Premium Compact-L gravity OC [INT] | 19402 | Cable holder drum filter | 1 |
| | 49982 | ProfiClear Premium Compact-L gravity OC [GB] | | | |
| 63 | 49981 | ProfiClear Premium Compact-L gravity OC [INT] | 5949 | Cylinder screw V2A DIN 912 6 x 16 | 1 |
| | 49982 | ProfiClear Premium Compact-L gravity OC [GB] | | | |
| 64 | 49981 | ProfiClear Premium Compact-L gravity OC [INT] | 20284 | Spike | 1 |
| | 49982 | ProfiClear Premium Compact-L gravity OC [GB] | | | |

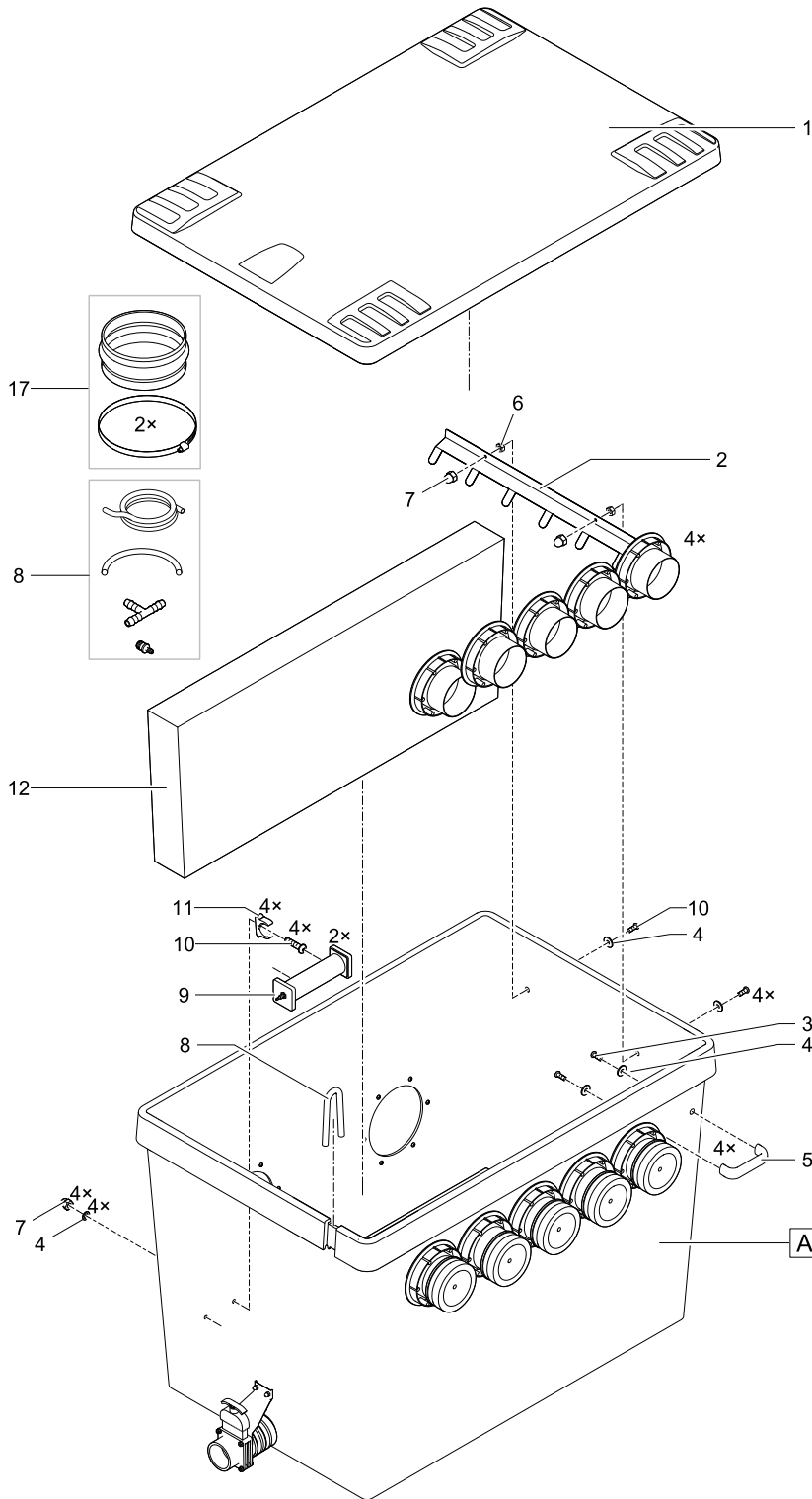
| Item no. | Product |
|----------|-------------------------------------|
| 50772 | ProfClear Premium Moving Bed Module |

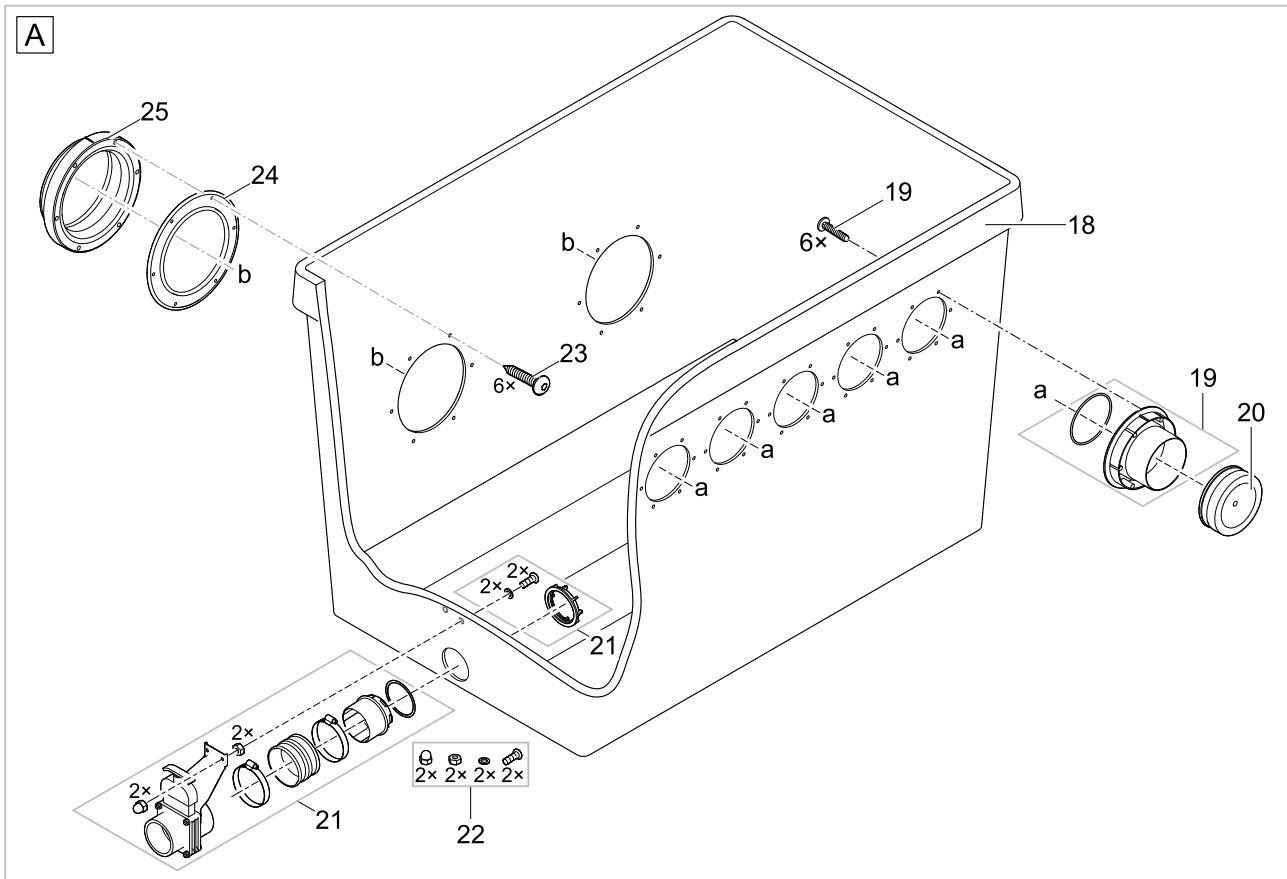




| Pos. | Item no. Product | Product | | Item no. Spare part | Spare part | Number |
|------|---------------------|--------------------------------------|-------|------------------------|--|--------|
| 1 | 50772 | ProfiClear Premium Moving Bed Module | [INT] | 72780 | ASM lid container M / L | 1 |
| 2 | 50772 | ProfiClear Premium Moving Bed Module | [INT] | 42904 | Hel-X 13 Biomedica 25 I | 2 |
| 3 | 50772 | ProfiClear Premium Moving Bed Module | [INT] | 20292 | Oval head screw V2A DIN 7985 M6 x 12 | 4 |
| 4 | 50772 | ProfiClear Premium Moving Bed Module | [INT] | 20609 | Fiberplate DIN 7603 6 x 12 x 1 mm | 8 |
| 5 | 50772 | ProfiClear Premium Moving Bed Module | [INT] | 17038 | Container bio module | 1 |
| 6 | 50772 | ProfiClear Premium Moving Bed Module | [INT] | 6117 | Cap nut V2A DIN 1587 M6 | 6 |
| 7 | 50772 | ProfiClear Premium Moving Bed Module | [INT] | 17216 | Airstone clamp bio filter | 2 |
| 8 | 50772 | ProfiClear Premium Moving Bed Module | [INT] | 17918 | Oval head screw V2A DIN 7985 M6 x 25 | 2 |
| 9 | 50772 | ProfiClear Premium Moving Bed Module | [INT] | 17391 | Air stone ProfiClear Premium Moving Bed | 1 |
| 10 | 50772 | ProfiClear Premium Moving Bed Module | [INT] | 18184 | PVC air hose transp. DI 9 mm x 0.85 m | 1 |
| 11 | 50772 | ProfiClear Premium Moving Bed Module | [INT] | 42865 | Air connection ProfiClear Compact | 1 |
| 12 | 50772 | ProfiClear Premium Moving Bed Module | [INT] | 17631 | Hose adapter 4 to 8 mm | 1 |
| 13 | 50772 | ProfiClear Premium Moving Bed Module | [INT] | 18186 | Air connection T-piece 9 mm | 1 |
| 14 | 50772 | ProfiClear Premium Moving Bed Module | [INT] | 18185 | PVC air hose transp. DI 9 mm x 0.10 m | 1 |
| 15 | 50772 | ProfiClear Premium Moving Bed Module | [INT] | 27572 | Oval head screw CZ-V2A DIN 7981 6.3 x 32 | 1 |
| 16 | 50772 | ProfiClear Premium Moving Bed Module | [INT] | 43756 | Gasket mesh tube 2016 | 1 |
| 17 | 50772 | ProfiClear Premium Moving Bed Module | [INT] | 26958 | Outlet 150/1 ProfiClear M 2 - M 5 | 2 |
| 18 | 50772 | ProfiClear Premium Moving Bed Module | [INT] | 17327 | Perforated sheet outlet | 1 |
| 19 | 50772 | ProfiClear Premium Moving Bed Module | [INT] | 18446 | Spare drain DN75 Premium | 1 |
| 20 | 50772 | ProfiClear Premium Moving Bed Module | [INT] | 18448 | spare screw set drain DN75 Premium | 1 |
| 21 | 50772 | ProfiClear Premium Moving Bed Module | [INT] | 17251 | ASM rubber bushing D178 mm | 2 |
| 22 | 50772 | ProfiClear Premium Moving Bed Module | [INT] | 26987 | Outlet 150/2 ProfiClear M 2 - M 5 | 2 |
| 23 | 50772 | ProfiClear Premium Moving Bed Module | [INT] | 19006 | ASM mesh tube bio module | 1 |
| 24 | 50772 | ProfiClear Premium Moving Bed Module | [INT] | 43353 | Mesh tube bracket | 1 |

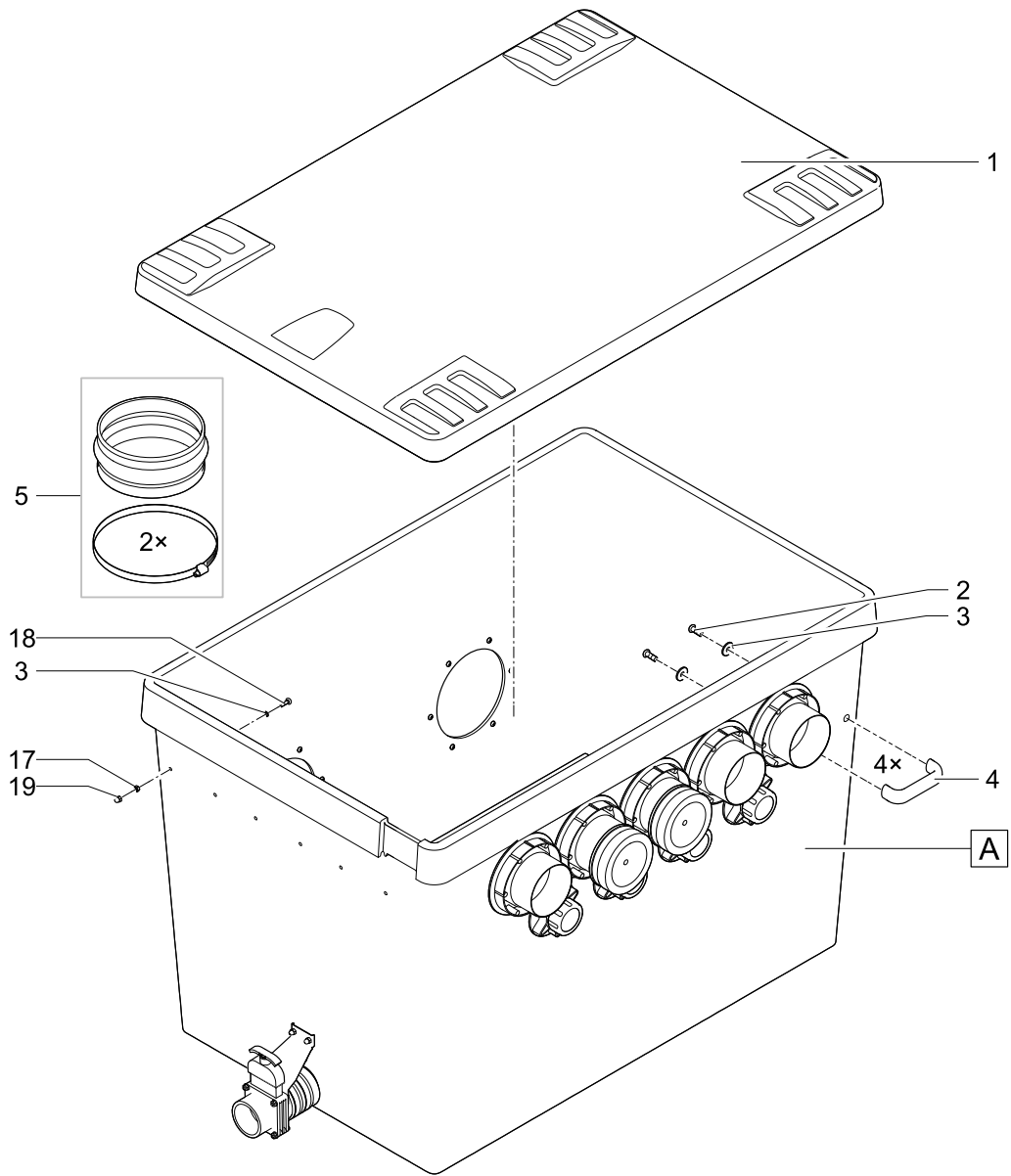
| Item no. | Product |
|----------|---|
| 73369 | ProfiCl. Prem. XL discharge module pump |

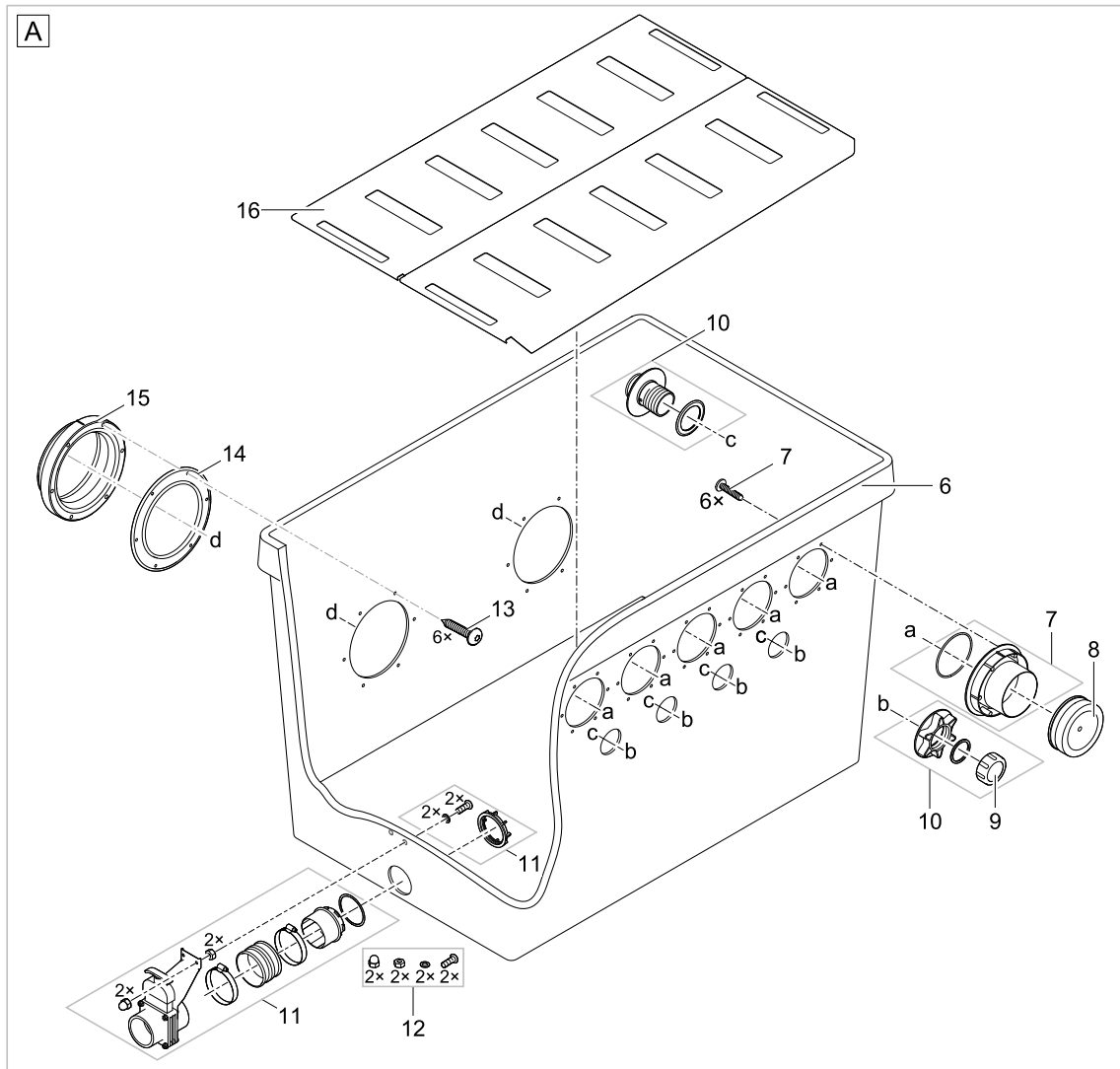




| Pos. | Item no. Product | Product | Item no. Spare part | Spare part | Number |
|------|------------------|---|---------------------|--|--------|
| 1 | 73369 | ProfiCl. Prem. XL discharge module pump [INT] | 71759 | ASM cover XL Moving Bed | 1 |
| 2 | 73369 | ProfiCl. Prem. XL discharge module pump [INT] | 76369 | Holder Clear Wave DM XL pumped | 1 |
| 3 | 73369 | ProfiCl. Prem. XL discharge module pump [INT] | 70425 | Oval head screw Torx V2A ISO14583 M6x25 | 1 |
| 4 | 73369 | ProfiCl. Prem. XL discharge module pump [INT] | 20609 | Fiberplate DIN 7603 6 x 12 x 1 mm | 1 |
| 5 | 73369 | ProfiCl. Prem. XL discharge module pump [INT] | 35676 | Strap grip PA black | 1 |
| 6 | 73369 | ProfiCl. Prem. XL discharge module pump [INT] | 6128 | Lock nut V2A DIN 985 M6 | 1 |
| 7 | 73369 | ProfiCl. Prem. XL discharge module pump [INT] | 6117 | Cap nut V2A DIN 1587 M6 | 1 |
| 8 | 73369 | ProfiCl. Prem. XL discharge module pump [INT] | 77537 | Conn. air stone discharge module XL pump | 1 |
| 9 | 73369 | ProfiCl. Prem. XL discharge module pump [INT] | 76060 | Air stone ProfiClear 200 x 50 mm | 1 |
| 10 | 73369 | ProfiCl. Prem. XL discharge module pump [INT] | 70424 | Oval head screw Torx V2A ISO14583 M6x16 | 1 |
| 11 | 73369 | ProfiCl. Prem. XL discharge module pump [INT] | 17216 | Airstone clamp bio filter | 1 |
| 12 | 73369 | ProfiCl. Prem. XL discharge module pump [INT] | 76368 | Clear wave drainage module XL pumped | 1 |
| 17 | 73369 | ProfiCl. Prem. XL discharge module pump [INT] | 54964 | ASM rubber bushing ID185 to 185 mm | 1 |
| 18 | 73369 | ProfiCl. Prem. XL discharge module pump [INT] | 73436 | Container XL drain chamber pump-fed | 1 |
| 19 | 73369 | ProfiCl. Prem. XL discharge module pump [INT] | 77507 | Spare connection set DN110 short | 1 |
| 20 | 73369 | ProfiCl. Prem. XL discharge module pump [INT] | 16387 | Blanking cap DN 110 | 1 |
| 21 | 73369 | ProfiCl. Prem. XL discharge module pump [INT] | 70636 | Spare drain DN75 XL | 1 |
| 22 | 73369 | ProfiCl. Prem. XL discharge module pump [INT] | 18448 | spare screw set drain DN75 Premium | 1 |
| 23 | 73369 | ProfiCl. Prem. XL discharge module pump [INT] | 70428 | Oval head screw Torx V2A ISO14585 6.3x32 | 1 |
| 24 | 73369 | ProfiCl. Prem. XL discharge module pump [INT] | 43756 | Gasket mesh tube 2016 | 1 |
| 25 | 73369 | ProfiCl. Prem. XL discharge module pump [INT] | 26987 | Outlet 150/2 ProfiClear M 2 - M 5 | 1 |

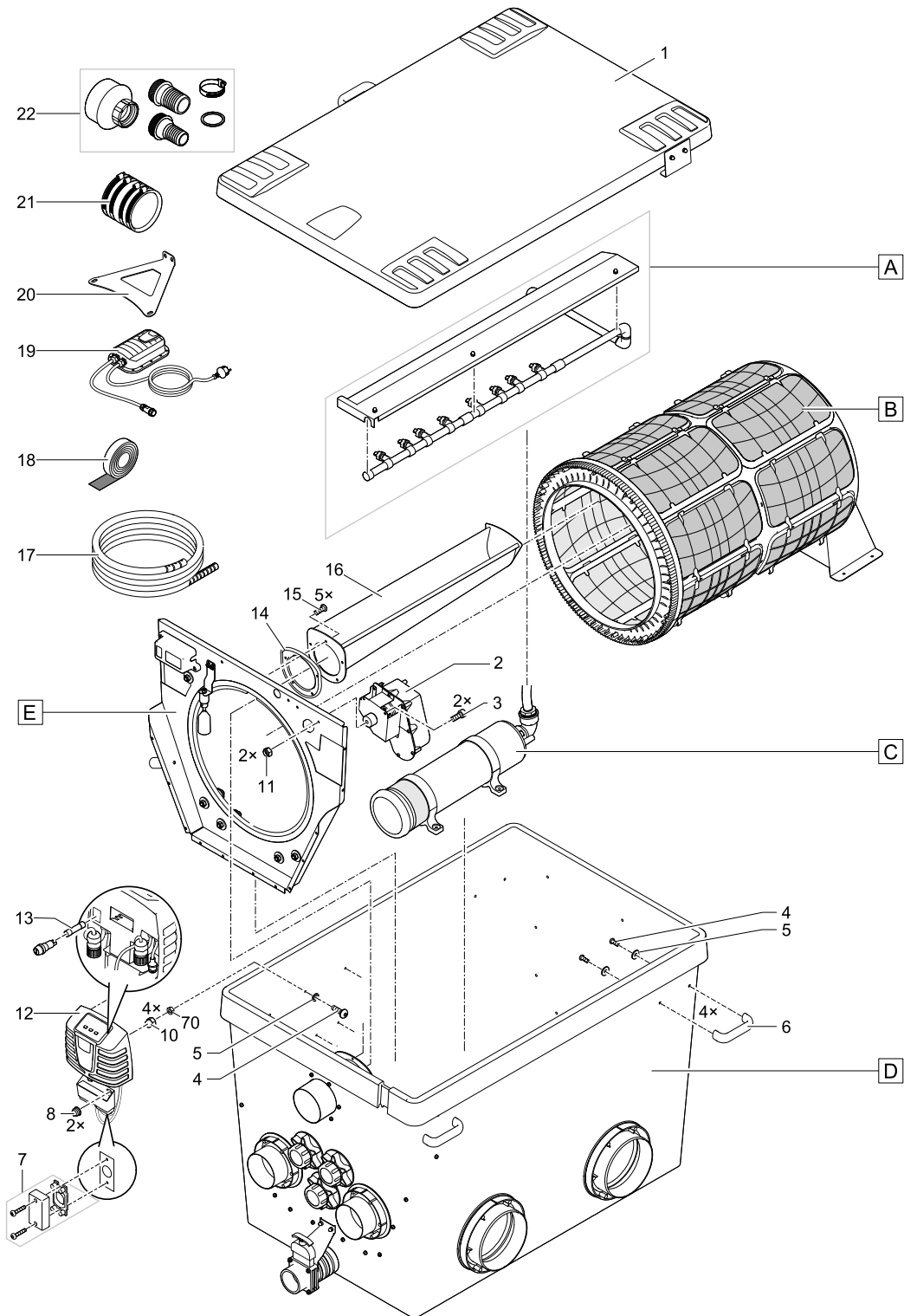
| Item no. | Product |
|----------|--|
| 73368 | ProfICI. Prem. XL discharge module grav. |

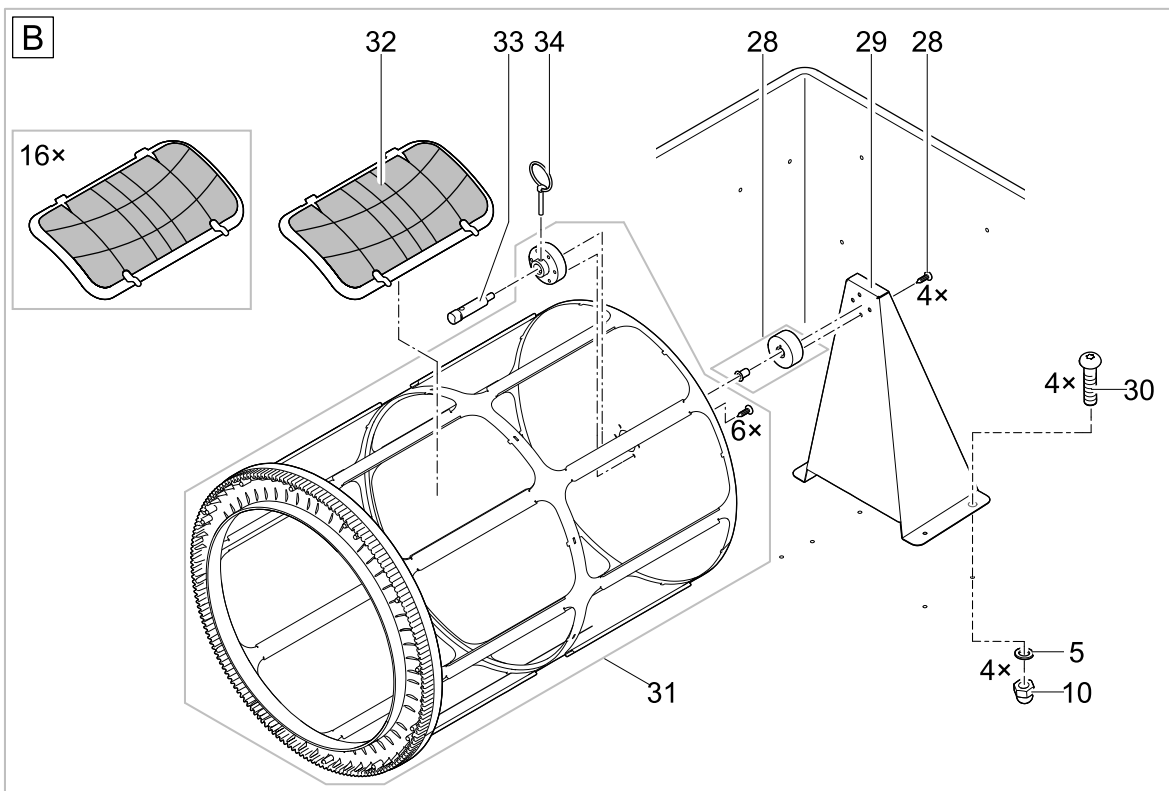
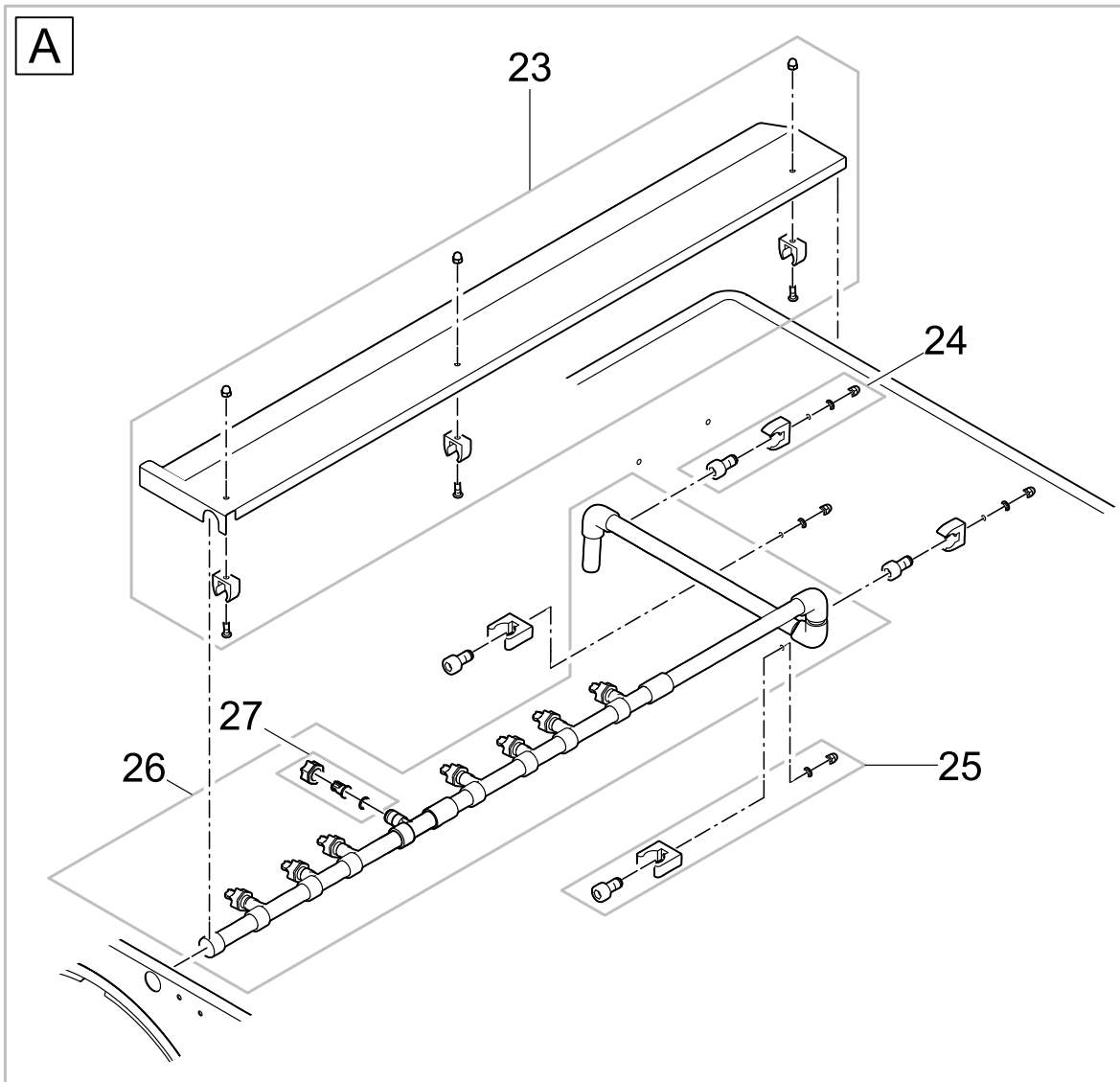


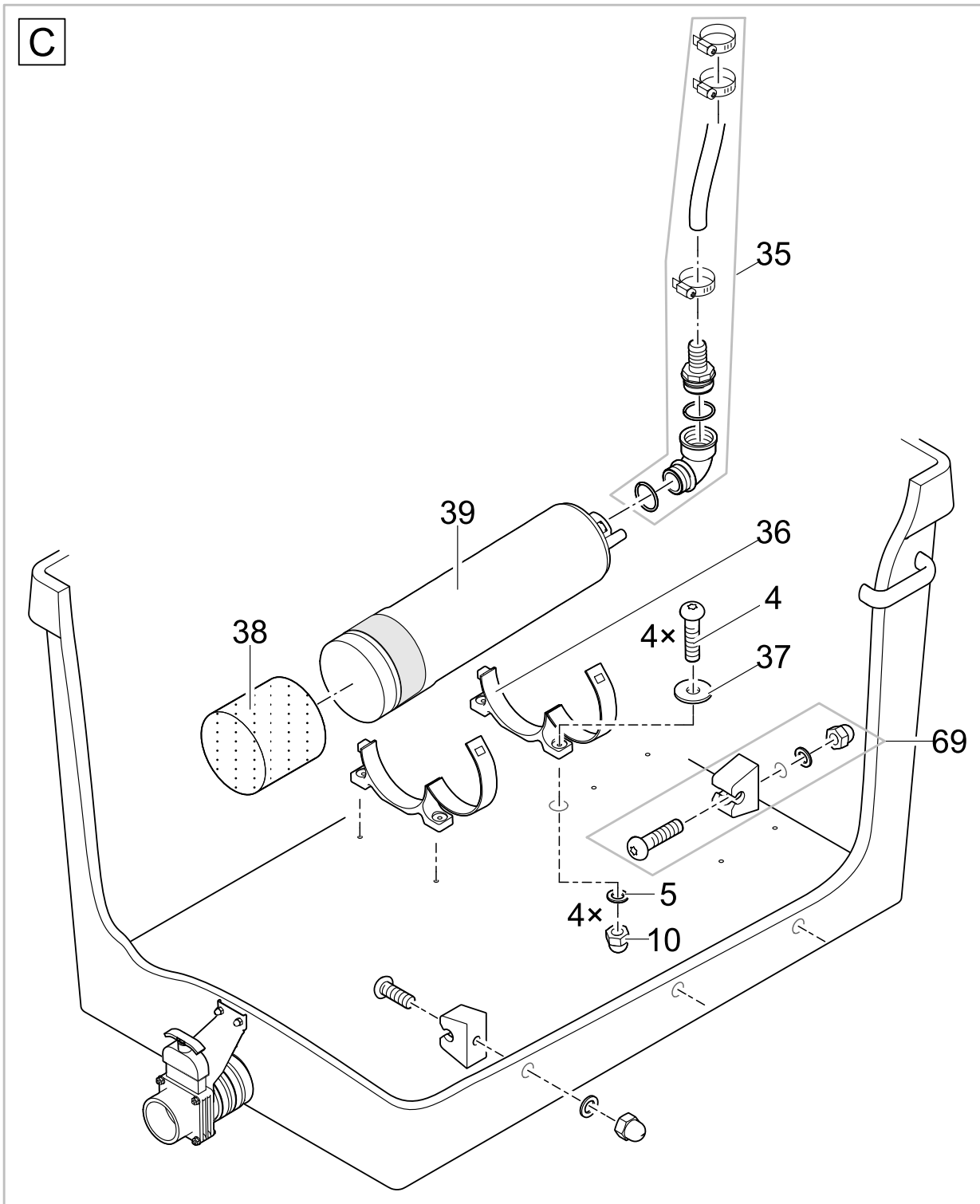


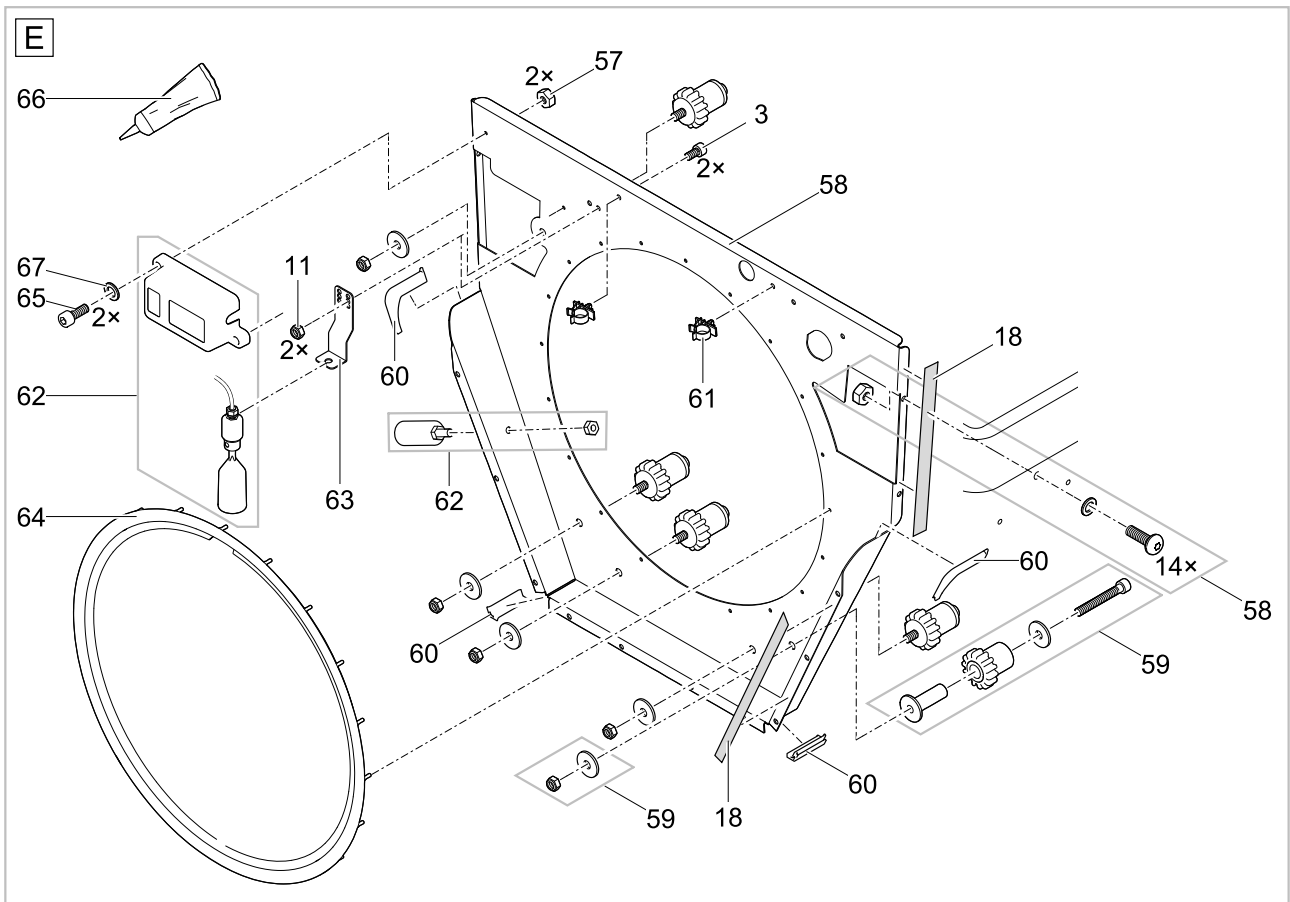
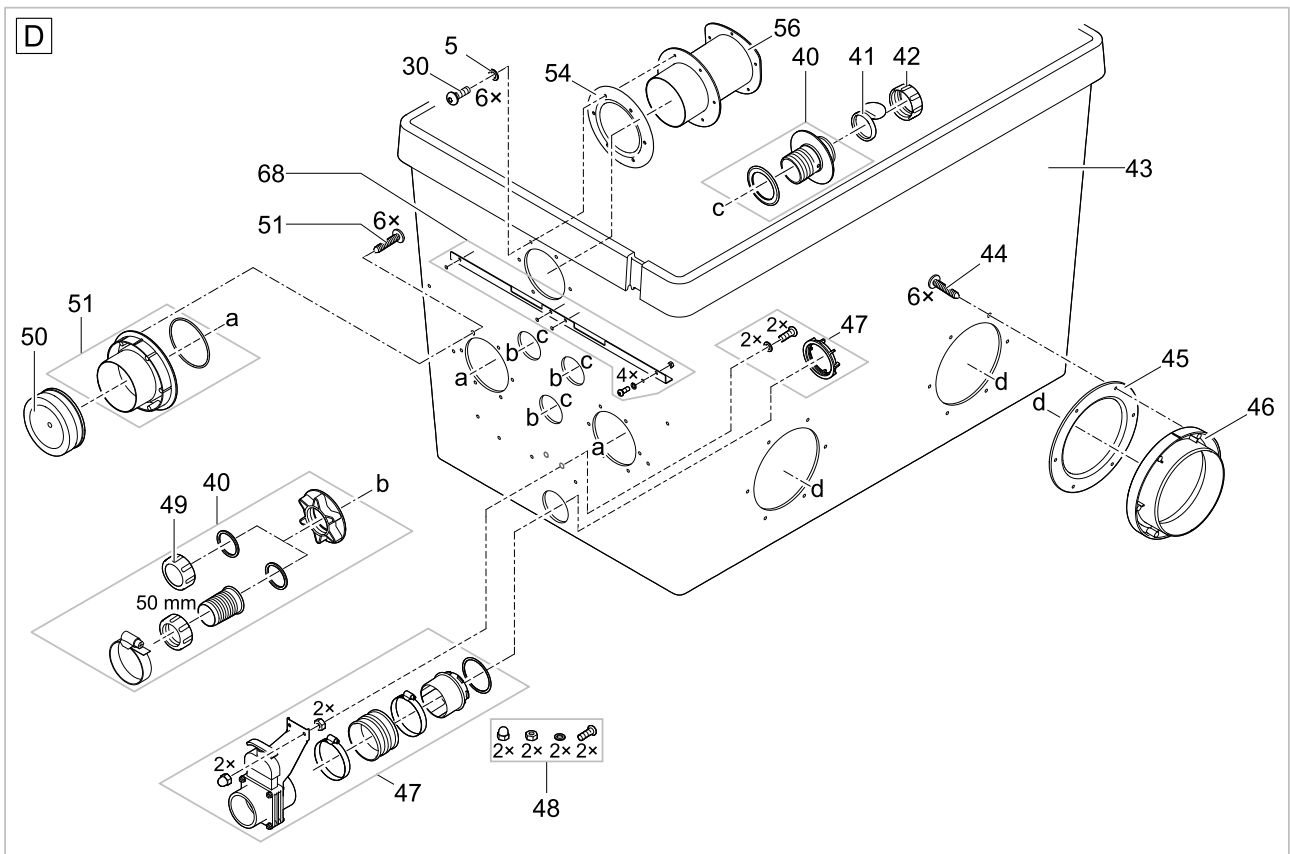
| Pos. | Item no. Product | Product | Item no. Spare part | Spare part | Number |
|------|------------------|--|---------------------|--|--------|
| 1 | 73368 | ProfiCl. Prem. XL discharge module grav. [INT] | 71759 | ASM cover XL Moving Bed | 1 |
| 2 | 73368 | ProfiCl. Prem. XL discharge module grav. [INT] | 70425 | Oval head screw Torx V2A ISO14583 M6x25 | 1 |
| 3 | 73368 | ProfiCl. Prem. XL discharge module grav. [INT] | 20609 | Fiberplate DIN 7603 6 x 12 x 1 mm | 1 |
| 4 | 73368 | ProfiCl. Prem. XL discharge module grav. [INT] | 35676 | Strap grip PA black | 1 |
| 5 | 73368 | ProfiCl. Prem. XL discharge module grav. [INT] | 54964 | ASM rubber bushing ID185 to 185 mm | 1 |
| 6 | 73368 | ProfiCl. Prem. XL discharge module grav. [INT] | 72592 | Container XL drain chamber gravity | 1 |
| 7 | 73368 | ProfiCl. Prem. XL discharge module grav. [INT] | 19005 | ASM connection set DN 110 | 1 |
| 8 | 73368 | ProfiCl. Prem. XL discharge module grav. [INT] | 16387 | Blanking cap DN 110 | 1 |
| 9 | 73368 | ProfiCl. Prem. XL discharge module grav. [INT] | 25993 | Screw cap 2" | 1 |
| 10 | 73368 | ProfiCl. Prem. XL discharge module grav. [INT] | 18798 | Spare grommet drum filter pump-fed | 1 |
| 11 | 73368 | ProfiCl. Prem. XL discharge module grav. [INT] | 70636 | Spare drain DN75 XL | 1 |
| 12 | 73368 | ProfiCl. Prem. XL discharge module grav. [INT] | 18448 | spare screw set drain DN75 Premium | 1 |
| 13 | 73368 | ProfiCl. Prem. XL discharge module grav. [INT] | 70428 | Oval head screw Torx V2A ISO14585 6.3x32 | 1 |
| 14 | 73368 | ProfiCl. Prem. XL discharge module grav. [INT] | 43756 | Gasket mesh tube 2016 | 1 |
| 15 | 73368 | ProfiCl. Prem. XL discharge module grav. [INT] | 26987 | Outlet 150/2 ProfiClear M 2 - M 5 | 1 |
| 16 | 73368 | ProfiCl. Prem. XL discharge module grav. [INT] | 73607 | Base screen container XL | 1 |
| 17 | 73368 | ProfiCl. Prem. XL discharge module grav. [INT] | 6128 | Lock nut V2A DIN 985 M6 | 1 |
| 18 | 73368 | ProfiCl. Prem. XL discharge module grav. [INT] | 70424 | Oval head screw Torx V2A ISO14583 M6x16 | 1 |
| 19 | 73368 | ProfiCl. Prem. XL discharge module grav. [INT] | 6117 | Cap nut V2A DIN 1587 M6 | 1 |

| Item no. | Product |
|----------|---|
| 73365 | ProfiClear Premium DF-XL pump-fed OC |
| 73366 | GB ProfiClear Premium DF-XL pump-fed OC |







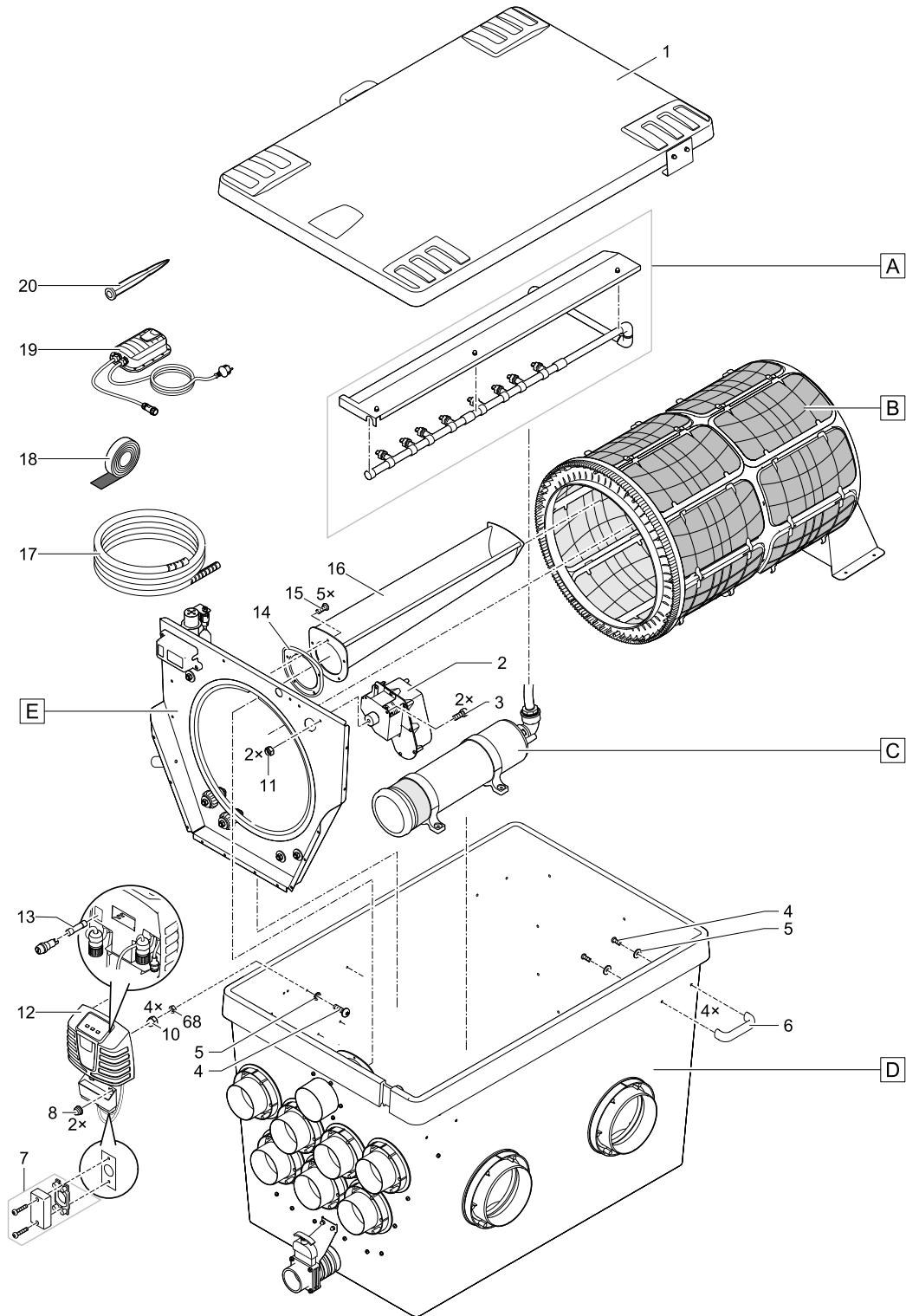


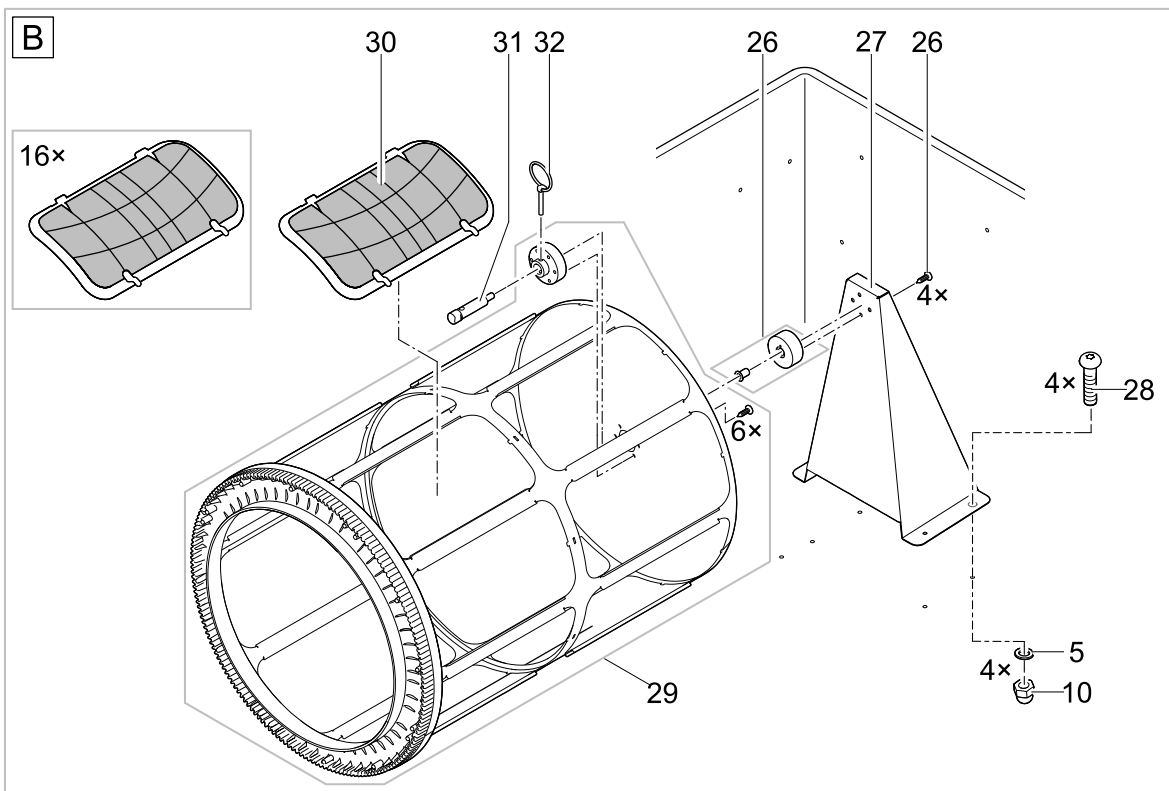
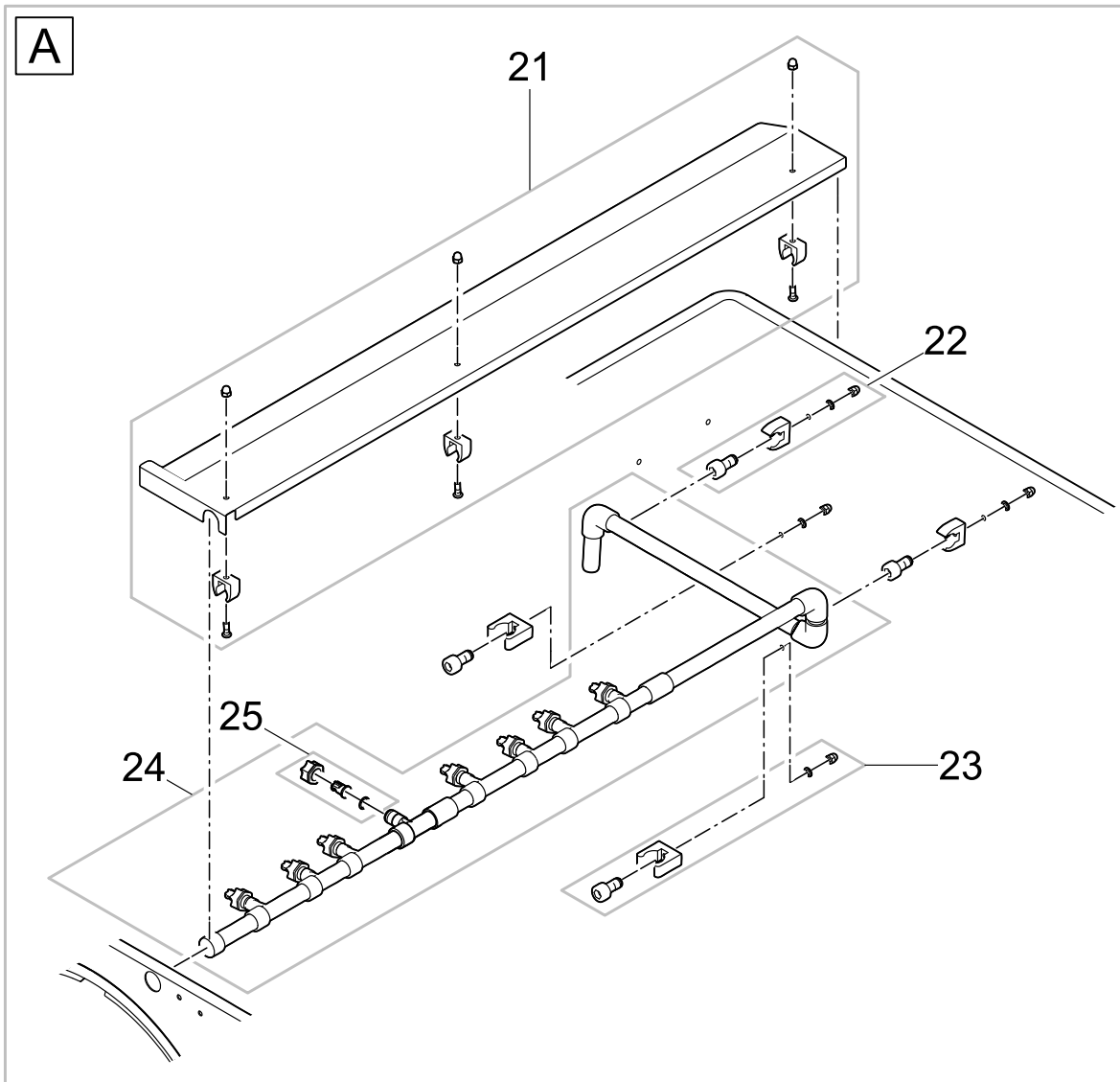
| Pos. | Item no. Product | Product | Item no. Spare part | Spare part | Number |
|------|---------------------|--|------------------------|--|--------|
| 1 | 73365 | ProfiClear Premium DF-XL pump-fed OC [INT] | 70995 | ASM cover drum filter XL | 1 |
| | 73366 | ProfiClear Premium DF-XL pump-fed OC [GB] | | | |
| 2 | 73365 | ProfiClear Premium DF-XL pump-fed OC [INT] | 71771 | Spare ASM drum motor | 1 |
| | 73366 | ProfiClear Premium DF-XL pump-fed OC [GB] | | | |
| 3 | 73365 | ProfiClear Premium DF-XL pump-fed OC [INT] | 15596 | Screw V4A DIN 912 M6 x 10 | 1 |
| | 73366 | ProfiClear Premium DF-XL pump-fed OC [GB] | | | |
| 4 | 73365 | ProfiClear Premium DF-XL pump-fed OC [INT] | 70425 | Oval head screw Torx V2A ISO14583 M6x25 | 1 |
| | 73366 | ProfiClear Premium DF-XL pump-fed OC [GB] | | | |
| 5 | 73365 | ProfiClear Premium DF-XL pump-fed OC [INT] | 20609 | Fiberplate DIN 7603 6 x 12 x 1 mm | 1 |
| | 73366 | ProfiClear Premium DF-XL pump-fed OC [GB] | | | |
| 6 | 73365 | ProfiClear Premium DF-XL pump-fed OC [INT] | 35676 | Strap grip PA black | 1 |
| | 73366 | ProfiClear Premium DF-XL pump-fed OC [GB] | | | |
| 7 | 73365 | ProfiClear Premium DF-XL pump-fed OC [INT] | 43867 | Spare set ASM gland seal | 1 |
| | 73366 | ProfiClear Premium DF-XL pump-fed OC [GB] | | | |
| 8 | 73365 | ProfiClear Premium DF-XL pump-fed OC [INT] | 49847 | Cover cap nut M6 | 1 |
| | 73366 | ProfiClear Premium DF-XL pump-fed OC [GB] | | | |
| 10 | 73365 | ProfiClear Premium DF-XL pump-fed OC [INT] | 6117 | Cap nut V2A DIN 1587 M6 | 1 |
| | 73366 | ProfiClear Premium DF-XL pump-fed OC [GB] | | | |
| 11 | 73365 | ProfiClear Premium DF-XL pump-fed OC [INT] | 6128 | Lock nut V2A DIN 985 M6 | 1 |
| | 73366 | ProfiClear Premium DF-XL pump-fed OC [GB] | | | |
| 12 | 73365 | ProfiClear Premium DF-XL pump-fed OC [INT] | 87115 | Exchange controller drum fil.XL pump-fed | 1 |
| | 73366 | ProfiClear Premium DF-XL pump-fed OC [GB] | 77508 | Spare controller drum filter XL | 1 |
| 13 | 73365 | ProfiClear Premium DF-XL pump-fed OC [INT] | 72543 | Fuse T16A 250 V | 1 |
| | 73366 | ProfiClear Premium DF-XL pump-fed OC [GB] | | | |
| 14 | 73365 | ProfiClear Premium DF-XL pump-fed OC [INT] | 73654 | Gasket waste channel DF XL gutter | 1 |
| | 73366 | ProfiClear Premium DF-XL pump-fed OC [GB] | | | |
| 15 | 73365 | ProfiClear Premium DF-XL pump-fed OC [INT] | 70426 | Oval head screw Torx V2A ISO14583 M6x12 | 1 |
| | 73366 | ProfiClear Premium DF-XL pump-fed OC [GB] | | | |
| 16 | 73365 | ProfiClear Premium DF-XL pump-fed OC [INT] | 73652 | Waste channel DF XL gutter | 1 |
| | 73366 | ProfiClear Premium DF-XL pump-fed OC [GB] | | | |
| 17 | 73365 | ProfiClear Premium DF-XL pump-fed OC [INT] | 90118 | Spare cable protection 0.85 m | 1 |
| | 73366 | ProfiClear Premium DF-XL pump-fed OC [GB] | | | |
| 18 | 73365 | ProfiClear Premium DF-XL pump-fed OC [INT] | 41300 | Foamed rubber band drum filter 2018 | - |
| | 73366 | ProfiClear Premium DF-XL pump-fed OC [GB] | | | |
| 19 | 73365 | ProfiClear Premium DF-XL pump-fed OC [INT] | 76197 | Power supply 100 VA / 12 V DC 8A V-2021 | 1 |
| | 73366 | ProfiClear Premium DF-XL pump-fed OC [GB] | | | |
| 20 | 73365 | ProfiClear Premium DF-XL pump-fed OC [INT] | 76153 | Triangle bracket Bitron Premium | 1 |
| | 73366 | ProfiClear Premium DF-XL pump-fed OC [GB] | | | |
| 21 | 73365 | ProfiClear Premium DF-XL pump-fed OC [INT] | 73751 | Rubber connection DN110 to DN110 | 1 |
| | 73366 | ProfiClear Premium DF-XL pump-fed OC [GB] | | | |
| 22 | 73365 | ProfiClear Premium DF-XL pump-fed OC [INT] | 77191 | Adapter kit hose Bitron Premium | 1 |
| | 73366 | ProfiClear Premium DF-XL pump-fed OC [GB] | | | |
| 23 | 73365 | ProfiClear Premium DF-XL pump-fed OC [INT] | 77514 | Cover cleaning tube VA DF XL | 1 |
| | 73366 | ProfiClear Premium DF-XL pump-fed OC [GB] | | | |
| 24 | 73365 | ProfiClear Premium DF-XL pump-fed OC [INT] | 49035 | Spare cleaning tube bracket PCP 2017 | 1 |
| | 73366 | ProfiClear Premium DF-XL pump-fed OC [GB] | | | |
| 25 | 73365 | ProfiClear Premium DF-XL pump-fed OC [INT] | 18790 | Spare hose bracket ProfiClear Premium | 1 |
| | 73366 | ProfiClear Premium DF-XL pump-fed OC [GB] | | | |

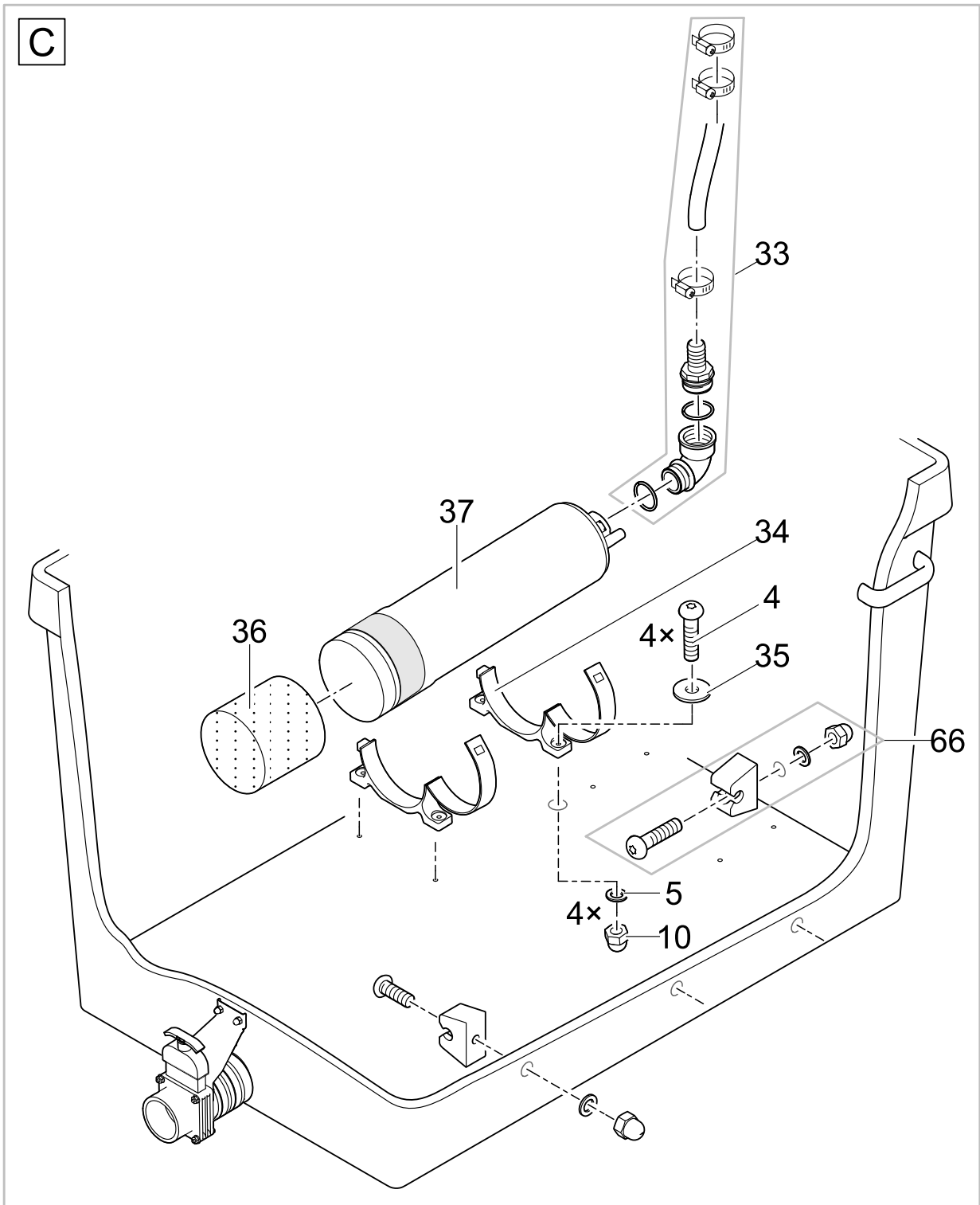
| Pos. | Item no. Product | Product | Item no. Spare part | Spare part | Number |
|------|---------------------|--|------------------------|--|--------|
| 26 | 73365 | ProfiClear Premium DF-XL pump-fed OC [INT] | 72610 | ASM cleaning tube DF XL | 1 |
| | 73366 | ProfiClear Premium DF-XL pump-fed OC [GB] | | | |
| 27 | 73365 | ProfiClear Premium DF-XL pump-fed OC [INT] | 18797 | Spare nozzle ProfiClear Premium | 1 |
| | 73366 | ProfiClear Premium DF-XL pump-fed OC [GB] | | | |
| 28 | 73365 | ProfiClear Premium DF-XL pump-fed OC [INT] | 18791 | Spare drum bearing drum filter | 1 |
| | 73366 | ProfiClear Premium DF-XL pump-fed OC [GB] | | | |
| 29 | 73365 | ProfiClear Premium DF-XL pump-fed OC [INT] | 77511 | Spare drum bearing truss XL | 1 |
| | 73366 | ProfiClear Premium DF-XL pump-fed OC [GB] | | | |
| 30 | 73365 | ProfiClear Premium DF-XL pump-fed OC [INT] | 70424 | Oval head screw Torx V2A ISO14583 M6x16 | 1 |
| | 73366 | ProfiClear Premium DF-XL pump-fed OC [GB] | | | |
| 31 | 73365 | ProfiClear Premium DF-XL pump-fed OC [INT] | 77512 | Spare drum drum filter XL | 1 |
| | 73366 | ProfiClear Premium DF-XL pump-fed OC [GB] | | | |
| 32 | 73365 | ProfiClear Premium DF-XL pump-fed OC [INT] | 19004 | ASM sieve frame 150 µm | 1 |
| | 73366 | ProfiClear Premium DF-XL pump-fed OC [GB] | | | |
| 33 | 73365 | ProfiClear Premium DF-XL pump-fed OC [INT] | 16288 | Drum shaft | 1 |
| | 73366 | ProfiClear Premium DF-XL pump-fed OC [GB] | | | |
| 34 | 73365 | ProfiClear Premium DF-XL pump-fed OC [INT] | 19515 | Locking pin V2A DIN 11023 - 6 mm | 1 |
| | 73366 | ProfiClear Premium DF-XL pump-fed OC [GB] | | | |
| 35 | 73365 | ProfiClear Premium DF-XL pump-fed OC [INT] | 77513 | Spare connector rinse pump DF XL | 1 |
| | 73366 | ProfiClear Premium DF-XL pump-fed OC [GB] | | | |
| 36 | 73365 | ProfiClear Premium DF-XL pump-fed OC [INT] | 17043 | Fastening kit rinse pump | 1 |
| | 73366 | ProfiClear Premium DF-XL pump-fed OC [GB] | | | |
| 37 | 73365 | ProfiClear Premium DF-XL pump-fed OC [INT] | 6143 | Washer VA DIN 9021 6.4 | 1 |
| | 73366 | ProfiClear Premium DF-XL pump-fed OC [GB] | | | |
| 38 | 73365 | ProfiClear Premium DF-XL pump-fed OC [INT] | 18943 | Pre-filter rinse pump | 1 |
| | 73366 | ProfiClear Premium DF-XL pump-fed OC [GB] | | | |
| 39 | 73365 | ProfiClear Premium DF-XL pump-fed OC [INT] | 73457 | Rinse pump drum filter XL | 1 |
| | 73366 | ProfiClear Premium DF-XL pump-fed OC [GB] | | | |
| 40 | 73365 | ProfiClear Premium DF-XL pump-fed OC [INT] | 18798 | Spare grommet drum filter pump-fed | 1 |
| | 73366 | ProfiClear Premium DF-XL pump-fed OC [GB] | | | |
| 41 | 73365 | ProfiClear Premium DF-XL pump-fed OC [INT] | 48183 | Check valve 2" | 1 |
| | 73366 | ProfiClear Premium DF-XL pump-fed OC [GB] | | | |
| 42 | 73365 | ProfiClear Premium DF-XL pump-fed OC [INT] | 12097 | Retaining nut 2" | 1 |
| | 73366 | ProfiClear Premium DF-XL pump-fed OC [GB] | | | |
| 43 | 73365 | ProfiClear Premium DF-XL pump-fed OC [INT] | 72589 | Container XL drum filter pump-fed | 1 |
| | 73366 | ProfiClear Premium DF-XL pump-fed OC [GB] | | | |
| 44 | 73365 | ProfiClear Premium DF-XL pump-fed OC [INT] | 70428 | Oval head screw Torx V2A ISO14583 6.3x32 | 1 |
| | 73366 | ProfiClear Premium DF-XL pump-fed OC [GB] | | | |
| 45 | 73365 | ProfiClear Premium DF-XL pump-fed OC [INT] | 43756 | Gasket mesh tube 2016 | 1 |
| | 73366 | ProfiClear Premium DF-XL pump-fed OC [GB] | | | |
| 46 | 73365 | ProfiClear Premium DF-XL pump-fed OC [INT] | 26987 | Outlet 150/2 ProfiClear M 2 - M 5 | 1 |
| | 73366 | ProfiClear Premium DF-XL pump-fed OC [GB] | | | |
| 47 | 73365 | ProfiClear Premium DF-XL pump-fed OC [INT] | 70636 | Spare drain DN75 XL | 1 |
| | 73366 | ProfiClear Premium DF-XL pump-fed OC [GB] | | | |
| 48 | 73365 | ProfiClear Premium DF-XL pump-fed OC [INT] | 18448 | spare screw set drain DN75 Premium | 1 |
| | 73366 | ProfiClear Premium DF-XL pump-fed OC [GB] | | | |
| 49 | 73365 | ProfiClear Premium DF-XL pump-fed OC [INT] | 25993 | Screw cap 2" | 1 |
| | 73366 | ProfiClear Premium DF-XL pump-fed OC [GB] | | | |

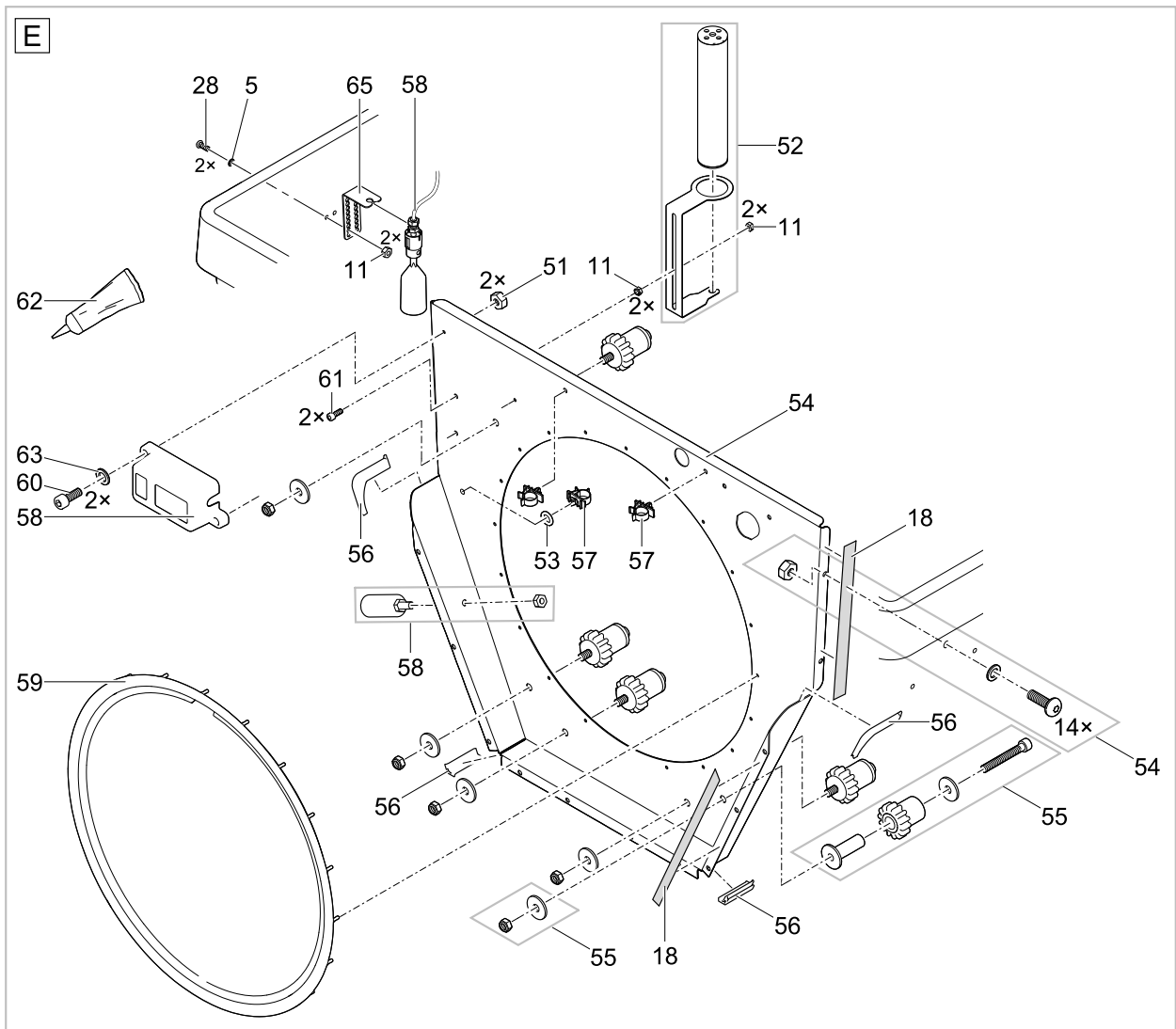
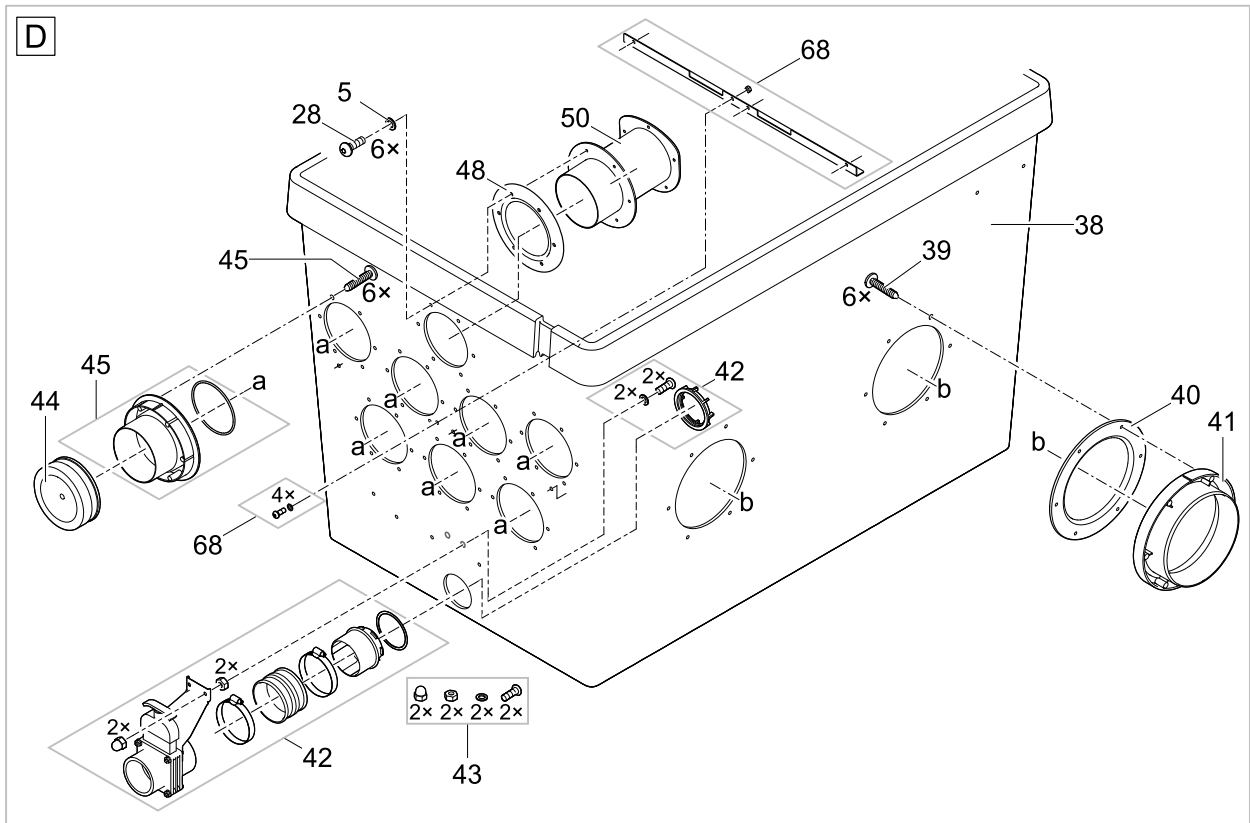
| Pos. | Item no. Product | Product | Item no. Spare part | Spare part | Number |
|------|---------------------|--|------------------------|--|--------|
| 50 | 73365 | ProfiClear Premium DF-XL pump-fed OC [INT] | 16387 | Blanking cap DN 110 | 1 |
| | 73366 | ProfiClear Premium DF-XL pump-fed OC [GB] | | | |
| 51 | 73365 | ProfiClear Premium DF-XL pump-fed OC [INT] | 77507 | Spare connection set DN110 short | 1 |
| | 73366 | ProfiClear Premium DF-XL pump-fed OC [GB] | | | |
| 54 | 73365 | ProfiClear Premium DF-XL pump-fed OC [INT] | 73653 | Gasket waste channel DF XL connector | 1 |
| | 73366 | ProfiClear Premium DF-XL pump-fed OC [GB] | | | |
| 56 | 73365 | ProfiClear Premium DF-XL pump-fed OC [INT] | 73651 | Waste channel DF XL connector | 1 |
| | 73366 | ProfiClear Premium DF-XL pump-fed OC [GB] | | | |
| 57 | 73365 | ProfiClear Premium DF-XL pump-fed OC [INT] | 11113 | Safety nut V2A DIN 985 M4 | 1 |
| | 73366 | ProfiClear Premium DF-XL pump-fed OC [GB] | | | |
| 58 | 73365 | ProfiClear Premium DF-XL pump-fed OC [INT] | 77509 | Spare seperating wall DF XL pumped | 1 |
| | 73366 | ProfiClear Premium DF-XL pump-fed OC [GB] | | | |
| 59 | 73365 | ProfiClear Premium DF-XL pump-fed OC [INT] | 18794 | Spare plain roller drum filter | 1 |
| | 73366 | ProfiClear Premium DF-XL pump-fed OC [GB] | | | |
| 60 | 73365 | ProfiClear Premium DF-XL pump-fed OC [INT] | 77510 | Spare gasket set sep.wall drum filter XL | 1 |
| | 73366 | ProfiClear Premium DF-XL pump-fed OC [GB] | | | |
| 61 | 73365 | ProfiClear Premium DF-XL pump-fed OC [INT] | 19402 | Cable holder drum filter | 1 |
| | 73366 | ProfiClear Premium DF-XL pump-fed OC [GB] | | | |
| 62 | 73365 | ProfiClear Premium DF-XL pump-fed OC [INT] | 73649 | ASM signal box drum filter XL pump-fed | 1 |
| | 73366 | ProfiClear Premium DF-XL pump-fed OC [GB] | | | |
| 63 | 73365 | ProfiClear Premium DF-XL pump-fed OC [INT] | 73645 | Mounting plate float sw. DF XL pump fed | 1 |
| | 73366 | ProfiClear Premium DF-XL pump-fed OC [GB] | | | |
| 64 | 73365 | ProfiClear Premium DF-XL pump-fed OC [INT] | 23192 | Spare drum gasket | 1 |
| | 73366 | ProfiClear Premium DF-XL pump-fed OC [GB] | | | |
| 65 | 73365 | ProfiClear Premium DF-XL pump-fed OC [INT] | 20320 | Cylinder screw V2A DIN 912 M4 x 20 | 1 |
| | 73366 | ProfiClear Premium DF-XL pump-fed OC [GB] | | | |
| 66 | 73365 | ProfiClear Premium DF-XL pump-fed OC [INT] | 27872 | Turmsilon GT1 300 GK tube 10 ml | 1 |
| | 73366 | ProfiClear Premium DF-XL pump-fed OC [GB] | | | |
| 67 | 73365 | ProfiClear Premium DF-XL pump-fed OC [INT] | 6133 | Washer V2A DIN 125 4,3 | 1 |
| | 73366 | ProfiClear Premium DF-XL pump-fed OC [GB] | | | |
| 68 | 73365 | ProfiClear Premium DF-XL pump-fed OC [INT] | 77222 | Truss drum filter XL pump-fed | 1 |
| | 73366 | ProfiClear Premium DF-XL pump-fed OC [GB] | | | |
| 69 | 73365 | ProfiClear Premium DF-XL pump-fed OC [INT] | 72598 | Cable holder drum filter screwable 9 mm | 1 |
| | 73366 | ProfiClear Premium DF-XL pump-fed OC [GB] | | | |
| 70 | 73365 | ProfiClear Premium DF-XL pump-fed OC [INT] | 6105 | Hexagon nut V2A DIN 934 M6 | 1 |
| | 73366 | ProfiClear Premium DF-XL pump-fed OC [GB] | | | |

| Item no. | Product |
|----------|--|
| 73363 | ProfiClear Premium DF-XL gravity OC |
| 73364 | GB ProfiClear Premium DF-XL gravity OC |







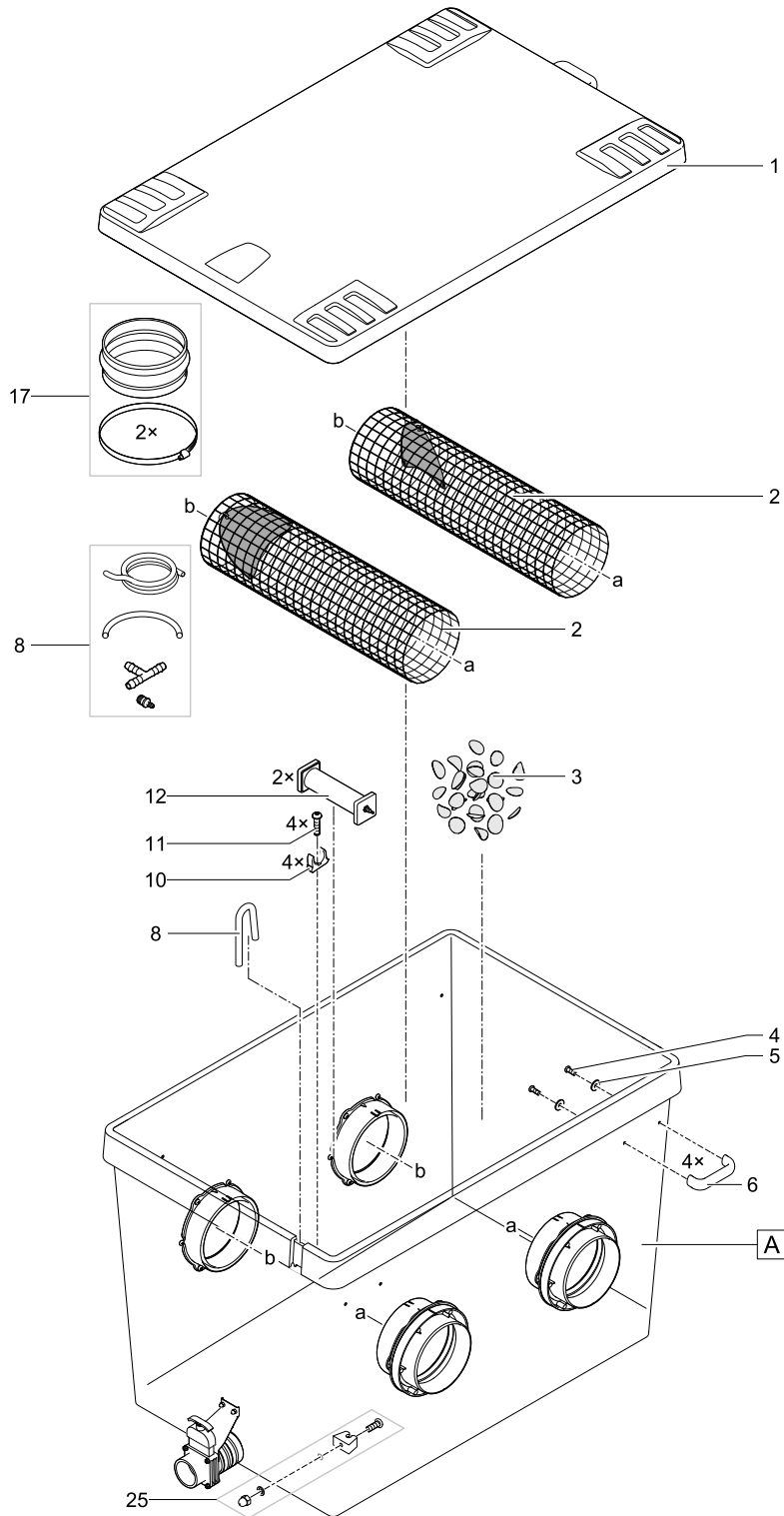


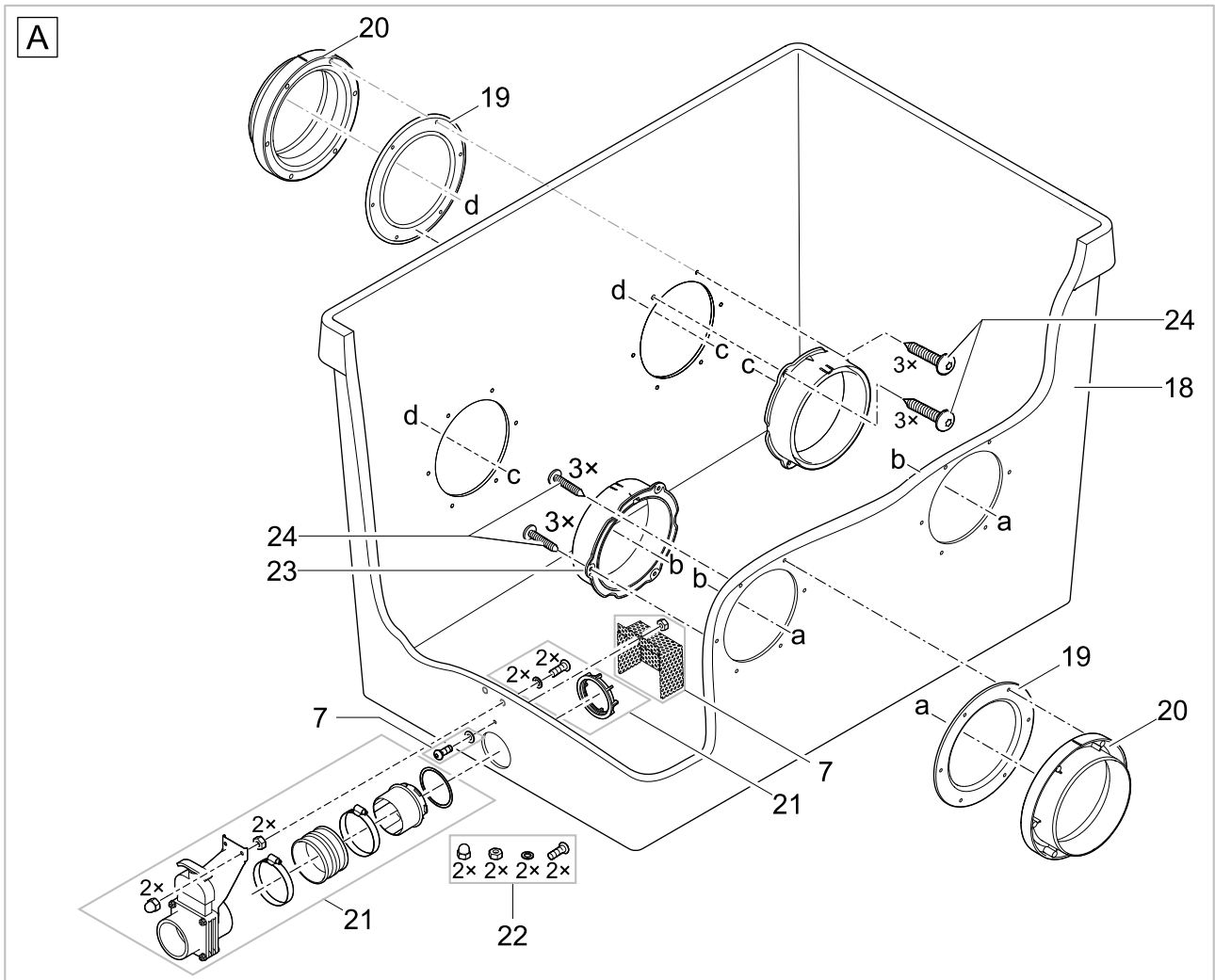
| Pos. | Item no. Product | Product | Item no. Spare part | Spare part | Number |
|------|---------------------|---|------------------------|---|--------|
| 1 | 73363 | ProfiClear Premium DF-XL gravity OC [INT] | 70995 | ASM cover drum filter XL | 1 |
| | 73364 | ProfiClear Premium DF-XL gravity OC [GB] | | | |
| 2 | 73363 | ProfiClear Premium DF-XL gravity OC [INT] | 71771 | Spare ASM drum motor | 1 |
| | 73364 | ProfiClear Premium DF-XL gravity OC [GB] | | | |
| 3 | 73363 | ProfiClear Premium DF-XL gravity OC [INT] | 15596 | Screw V4A DIN 912 M6 x 10 | 1 |
| | 73364 | ProfiClear Premium DF-XL gravity OC [GB] | | | |
| 4 | 73363 | ProfiClear Premium DF-XL gravity OC [INT] | 70425 | Oval head screw Torx V2A ISO14583 M6x25 | 1 |
| | 73364 | ProfiClear Premium DF-XL gravity OC [GB] | | | |
| 5 | 73363 | ProfiClear Premium DF-XL gravity OC [INT] | 20609 | Fiberplate DIN 7603 6 x 12 x 1 mm | 1 |
| | 73364 | ProfiClear Premium DF-XL gravity OC [GB] | | | |
| 6 | 73363 | ProfiClear Premium DF-XL gravity OC [INT] | 35676 | Strap grip PA black | 1 |
| | 73364 | ProfiClear Premium DF-XL gravity OC [GB] | | | |
| 7 | 73363 | ProfiClear Premium DF-XL gravity OC [INT] | 43867 | Spare set ASM gland seal | 1 |
| | 73364 | ProfiClear Premium DF-XL gravity OC [GB] | | | |
| 8 | 73363 | ProfiClear Premium DF-XL gravity OC [INT] | 49847 | Cover cap nut M6 | 1 |
| | 73364 | ProfiClear Premium DF-XL gravity OC [GB] | | | |
| 10 | 73363 | ProfiClear Premium DF-XL gravity OC [INT] | 6117 | Cap nut V2A DIN 1587 M6 | 1 |
| | 73364 | ProfiClear Premium DF-XL gravity OC [GB] | | | |
| 11 | 73363 | ProfiClear Premium DF-XL gravity OC [INT] | 6128 | Lock nut V2A DIN 985 M6 | 1 |
| | 73364 | ProfiClear Premium DF-XL gravity OC [GB] | | | |
| 12 | 73363 | ProfiClear Premium DF-XL gravity OC [INT] | 77508 | Spare controller drum filter XL | 1 |
| | 73364 | ProfiClear Premium DF-XL gravity OC [GB] | | | |
| 13 | 73363 | ProfiClear Premium DF-XL gravity OC [INT] | 72543 | Fuse T16A 250 V | 1 |
| | 73364 | ProfiClear Premium DF-XL gravity OC [GB] | | | |
| 14 | 73363 | ProfiClear Premium DF-XL gravity OC [INT] | 73654 | Gasket waste channel DF XL gutter | 1 |
| | 73364 | ProfiClear Premium DF-XL gravity OC [GB] | | | |
| 15 | 73363 | ProfiClear Premium DF-XL gravity OC [INT] | 70426 | Oval head screw Torx V2A ISO14583 M6x12 | 1 |
| | 73364 | ProfiClear Premium DF-XL gravity OC [GB] | | | |
| 16 | 73363 | ProfiClear Premium DF-XL gravity OC [INT] | 73652 | Waste channel DF XL gutter | 1 |
| | 73364 | ProfiClear Premium DF-XL gravity OC [GB] | | | |
| 17 | 73363 | ProfiClear Premium DF-XL gravity OC [INT] | 11979 | Cable protection Quintet / drum filter | - |
| | 73364 | ProfiClear Premium DF-XL gravity OC [GB] | | | |
| 18 | 73363 | ProfiClear Premium DF-XL gravity OC [INT] | 41300 | Foamed rubber band drum filter 2018 | - |
| | 73364 | ProfiClear Premium DF-XL gravity OC [GB] | | | |
| 19 | 73363 | ProfiClear Premium DF-XL gravity OC [INT] | 76197 | Power supply 100 VA / 12 V DC 8A V-2021 | 1 |
| | 73364 | ProfiClear Premium DF-XL gravity OC [GB] | | | |
| 20 | 73363 | ProfiClear Premium DF-XL gravity OC [INT] | 20284 | Spike | 1 |
| | 73364 | ProfiClear Premium DF-XL gravity OC [GB] | | | |
| 21 | 73363 | ProfiClear Premium DF-XL gravity OC [INT] | 77514 | Cover cleaning tube VA DF XL | 1 |
| | 73364 | ProfiClear Premium DF-XL gravity OC [GB] | | | |
| 22 | 73363 | ProfiClear Premium DF-XL gravity OC [INT] | 49035 | Spare cleaning tube bracket PCP 2017 | 1 |
| | 73364 | ProfiClear Premium DF-XL gravity OC [GB] | | | |
| 23 | 73363 | ProfiClear Premium DF-XL gravity OC [INT] | 18790 | Spare hose bracket ProfiClear Premium | 1 |
| | 73364 | ProfiClear Premium DF-XL gravity OC [GB] | | | |
| 24 | 73363 | ProfiClear Premium DF-XL gravity OC [INT] | 72610 | ASM cleaning tube DF XL | 1 |
| | 73364 | ProfiClear Premium DF-XL gravity OC [GB] | | | |
| 25 | 73363 | ProfiClear Premium DF-XL gravity OC [INT] | 18797 | Spare nozzle ProfiClear Premium | 1 |
| | 73364 | ProfiClear Premium DF-XL gravity OC [GB] | | | |

| Pos. | Item no. Product | Product | Item no. Spare part | Spare part | Number |
|------|---------------------|---|------------------------|--|--------|
| 26 | 73363 | ProfiClear Premium DF-XL gravity OC [INT] | 18791 | Spare drum bearing drum filter | 1 |
| | 73364 | ProfiClear Premium DF-XL gravity OC [GB] | | | |
| 27 | 73363 | ProfiClear Premium DF-XL gravity OC [INT] | 77511 | Spare drum bearing truss XL | 1 |
| | 73364 | ProfiClear Premium DF-XL gravity OC [GB] | | | |
| 28 | 73363 | ProfiClear Premium DF-XL gravity OC [INT] | 70424 | Oval head screw Torx V2A ISO14583 M6x16 | 1 |
| | 73364 | ProfiClear Premium DF-XL gravity OC [GB] | | | |
| 29 | 73363 | ProfiClear Premium DF-XL gravity OC [INT] | 77512 | Spare drum drum filter XL | 1 |
| | 73364 | ProfiClear Premium DF-XL gravity OC [GB] | | | |
| 30 | 73363 | ProfiClear Premium DF-XL gravity OC [INT] | 19004 | ASM sieve frame 150 µm | 1 |
| | 73364 | ProfiClear Premium DF-XL gravity OC [GB] | | | |
| 31 | 73363 | ProfiClear Premium DF-XL gravity OC [INT] | 16288 | Drum shaft | 1 |
| | 73364 | ProfiClear Premium DF-XL gravity OC [GB] | | | |
| 32 | 73363 | ProfiClear Premium DF-XL gravity OC [INT] | 19515 | Locking pin V2A DIN 11023 - 6 mm | 1 |
| | 73364 | ProfiClear Premium DF-XL gravity OC [GB] | | | |
| 33 | 73363 | ProfiClear Premium DF-XL gravity OC [INT] | 77513 | Spare connector rinse pump DF XL | 1 |
| | 73364 | ProfiClear Premium DF-XL gravity OC [GB] | | | |
| 34 | 73363 | ProfiClear Premium DF-XL gravity OC [INT] | 17043 | Fastening kit rinse pump | 1 |
| | 73364 | ProfiClear Premium DF-XL gravity OC [GB] | | | |
| 35 | 73363 | ProfiClear Premium DF-XL gravity OC [INT] | 6143 | Washer VA DIN 9021 6.4 | 1 |
| | 73364 | ProfiClear Premium DF-XL gravity OC [GB] | | | |
| 36 | 73363 | ProfiClear Premium DF-XL gravity OC [INT] | 18943 | Pre-filter rinse pump | 1 |
| | 73364 | ProfiClear Premium DF-XL gravity OC [GB] | | | |
| 37 | 73363 | ProfiClear Premium DF-XL gravity OC [INT] | 73457 | Rinse pump drum filter XL | 1 |
| | 73364 | ProfiClear Premium DF-XL gravity OC [GB] | | | |
| 38 | 73363 | ProfiClear Premium DF-XL gravity OC [INT] | 72590 | Container XL drum filter gravity | 1 |
| | 73364 | ProfiClear Premium DF-XL gravity OC [GB] | | | |
| 39 | 73363 | ProfiClear Premium DF-XL gravity OC [INT] | 70428 | Oval head screw Torx V2A ISO14585 6.3x32 | 1 |
| | 73364 | ProfiClear Premium DF-XL gravity OC [GB] | | | |
| 40 | 73363 | ProfiClear Premium DF-XL gravity OC [INT] | 43756 | Gasket mesh tube 2016 | 1 |
| | 73364 | ProfiClear Premium DF-XL gravity OC [GB] | | | |
| 41 | 73363 | ProfiClear Premium DF-XL gravity OC [INT] | 26987 | Outlet 150/2 ProfiClear M 2 - M 5 | 1 |
| | 73364 | ProfiClear Premium DF-XL gravity OC [GB] | | | |
| 42 | 73363 | ProfiClear Premium DF-XL gravity OC [INT] | 70636 | Spare drain DN75 XL | 1 |
| | 73364 | ProfiClear Premium DF-XL gravity OC [GB] | | | |
| 43 | 73363 | ProfiClear Premium DF-XL gravity OC [INT] | 18448 | spare screw set drain DN75 Premium | 1 |
| | 73364 | ProfiClear Premium DF-XL gravity OC [GB] | | | |
| 44 | 73363 | ProfiClear Premium DF-XL gravity OC [INT] | 16387 | Blanking cap DN 110 | 1 |
| | 73364 | ProfiClear Premium DF-XL gravity OC [GB] | | | |
| 45 | 73363 | ProfiClear Premium DF-XL gravity OC [INT] | 77507 | Spare connection set DN110 short | 1 |
| | 73364 | ProfiClear Premium DF-XL gravity OC [GB] | | | |
| 48 | 73363 | ProfiClear Premium DF-XL gravity OC [INT] | 73653 | Gasket waste channel DF XL connector | 1 |
| | 73364 | ProfiClear Premium DF-XL gravity OC [GB] | | | |
| 50 | 73363 | ProfiClear Premium DF-XL gravity OC [INT] | 73651 | Waste channel DF XL connector | 1 |
| | 73364 | ProfiClear Premium DF-XL gravity OC [GB] | | | |
| 51 | 73363 | ProfiClear Premium DF-XL gravity OC [INT] | 11113 | Safety nut V2A DIN 985 M4 | 1 |
| | 73364 | ProfiClear Premium DF-XL gravity OC [GB] | | | |
| 52 | 73363 | ProfiClear Premium DF-XL gravity OC [INT] | 42872 | ASM tube float switch gravity drum filt. | 1 |
| | 73364 | ProfiClear Premium DF-XL gravity OC [GB] | | | |

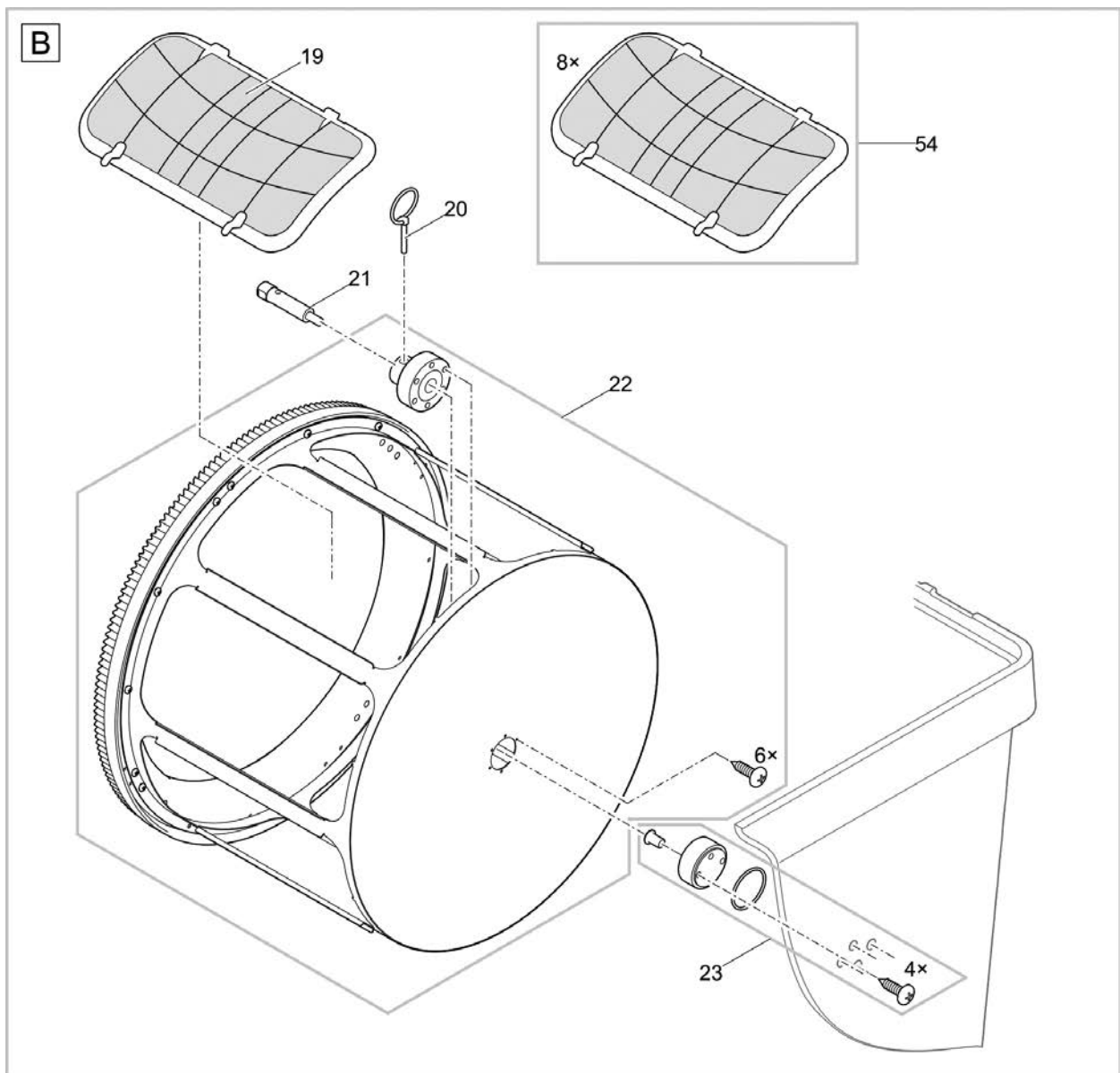
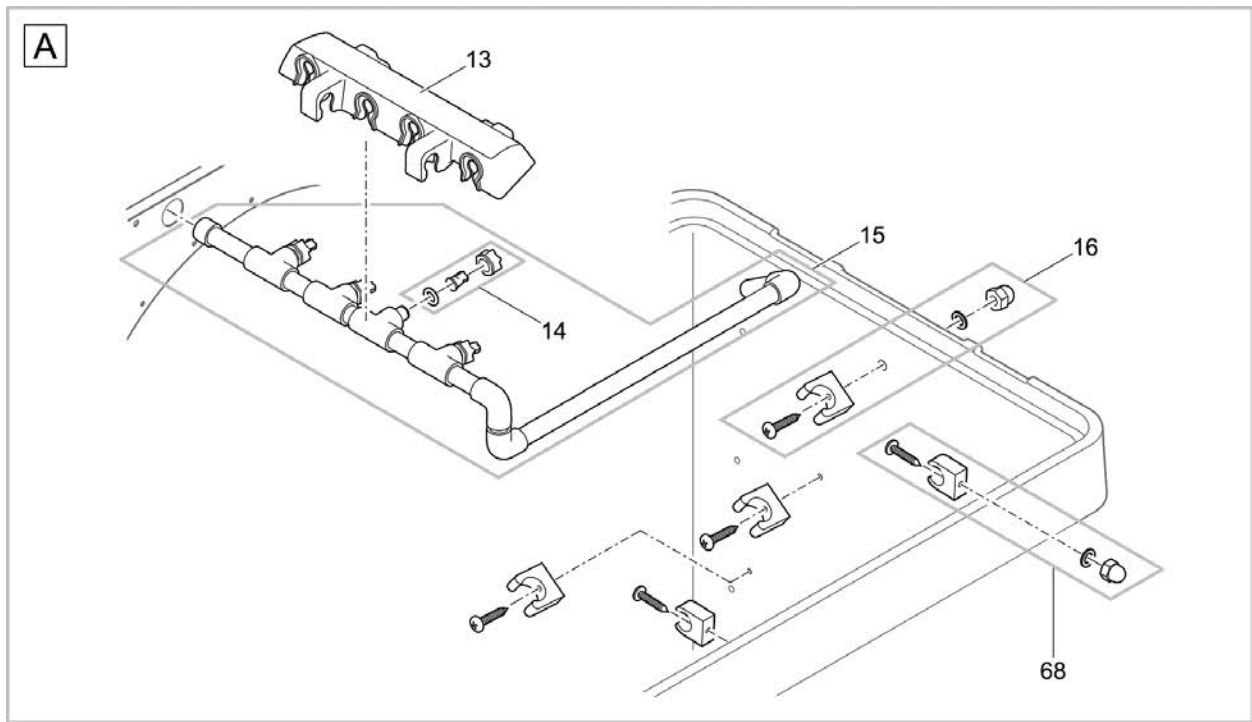
| Pos. | Item no. Product | Product | Item no. Spare part | Spare part | Number |
|------|---------------------|---|------------------------|--|--------|
| 53 | 73363 | ProfiClear Premium DF-XL gravity OC [INT] | 19023 | O-Ring EPDM 6 x 1.5 SH70 A | 1 |
| | 73364 | ProfiClear Premium DF-XL gravity OC [GB] | | | |
| 54 | 73363 | ProfiClear Premium DF-XL gravity OC [INT] | 77509 | Spare seperating wall DF XL pumped | 1 |
| | 73364 | ProfiClear Premium DF-XL gravity OC [GB] | | | |
| 55 | 73363 | ProfiClear Premium DF-XL gravity OC [INT] | 18794 | Spare plain roller drum filter | 1 |
| | 73364 | ProfiClear Premium DF-XL gravity OC [GB] | | | |
| 56 | 73363 | ProfiClear Premium DF-XL gravity OC [INT] | 77510 | Spare gasket set sep.wall drum filter XL | 1 |
| | 73364 | ProfiClear Premium DF-XL gravity OC [GB] | | | |
| 57 | 73363 | ProfiClear Premium DF-XL gravity OC [INT] | 19402 | Cable holder drum filter | 1 |
| | 73364 | ProfiClear Premium DF-XL gravity OC [GB] | | | |
| 58 | 73363 | ProfiClear Premium DF-XL gravity OC [INT] | 43493 | ASM signal box DF Gravity 2017 | 1 |
| | 73364 | ProfiClear Premium DF-XL gravity OC [GB] | | | |
| 59 | 73363 | ProfiClear Premium DF-XL gravity OC [INT] | 23192 | Spare drum gasket | 1 |
| | 73364 | ProfiClear Premium DF-XL gravity OC [GB] | | | |
| 60 | 73363 | ProfiClear Premium DF-XL gravity OC [INT] | 20320 | Cylinder screw V2A DIN 912 M4 x 20 | 1 |
| | 73364 | ProfiClear Premium DF-XL gravity OC [GB] | | | |
| 61 | 73363 | ProfiClear Premium DF-XL gravity OC [INT] | 5949 | Cylinder screw V2A DIN 912 6 x 16 | 1 |
| | 73364 | ProfiClear Premium DF-XL gravity OC [GB] | | | |
| 62 | 73363 | ProfiClear Premium DF-XL gravity OC [INT] | 27872 | Turmsilon GT1 300 GK tube 10 ml | 1 |
| | 73364 | ProfiClear Premium DF-XL gravity OC [GB] | | | |
| 63 | 73363 | ProfiClear Premium DF-XL gravity OC [INT] | 6133 | Washer V2A DIN 125 4.3 | 1 |
| | 73364 | ProfiClear Premium DF-XL gravity OC [GB] | | | |
| 65 | 73363 | ProfiClear Premium DF-XL gravity OC [INT] | 48250 | Mounting plate float switch PCP Gravi.II | 1 |
| | 73364 | ProfiClear Premium DF-XL gravity OC [GB] | | | |
| 66 | 73363 | ProfiClear Premium DF-XL gravity OC [INT] | 72598 | Cable holder drum filter screwable 9 mm | 1 |
| | 73364 | ProfiClear Premium DF-XL gravity OC [GB] | | | |
| 67 | 73363 | ProfiClear Premium DF-XL gravity OC [INT] | 77482 | Truss drum filter XL Gravity | 1 |
| | 73364 | ProfiClear Premium DF-XL gravity OC [GB] | | | |
| 68 | 73363 | ProfiClear Premium DF-XL gravity OC [INT] | 6105 | Hexagon nut V2A DIN 934 M6 | 1 |
| | 73364 | ProfiClear Premium DF-XL gravity OC [GB] | | | |

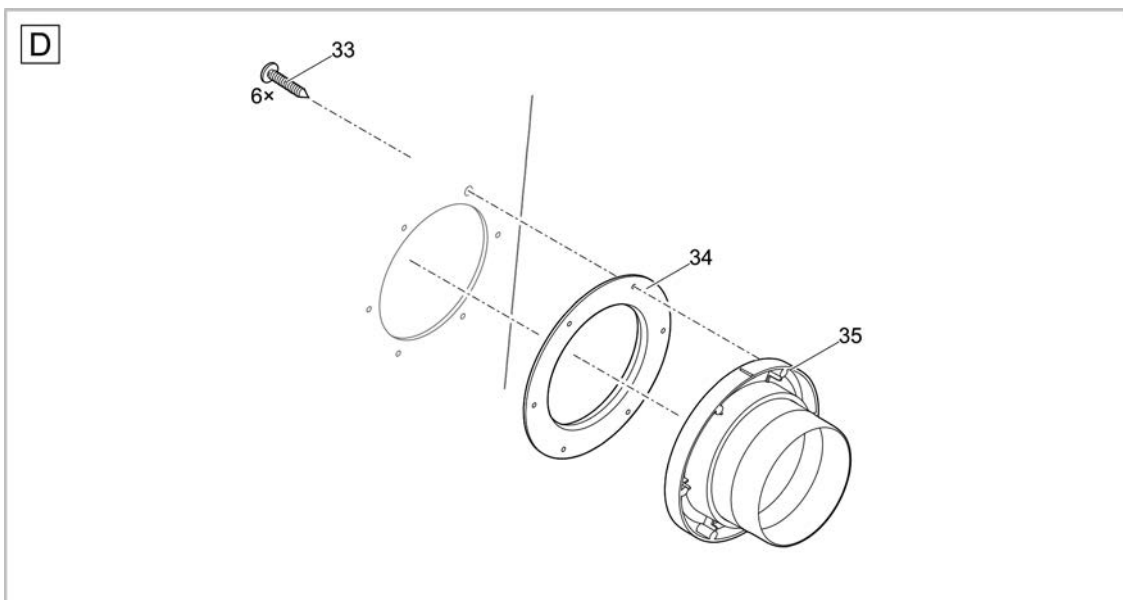
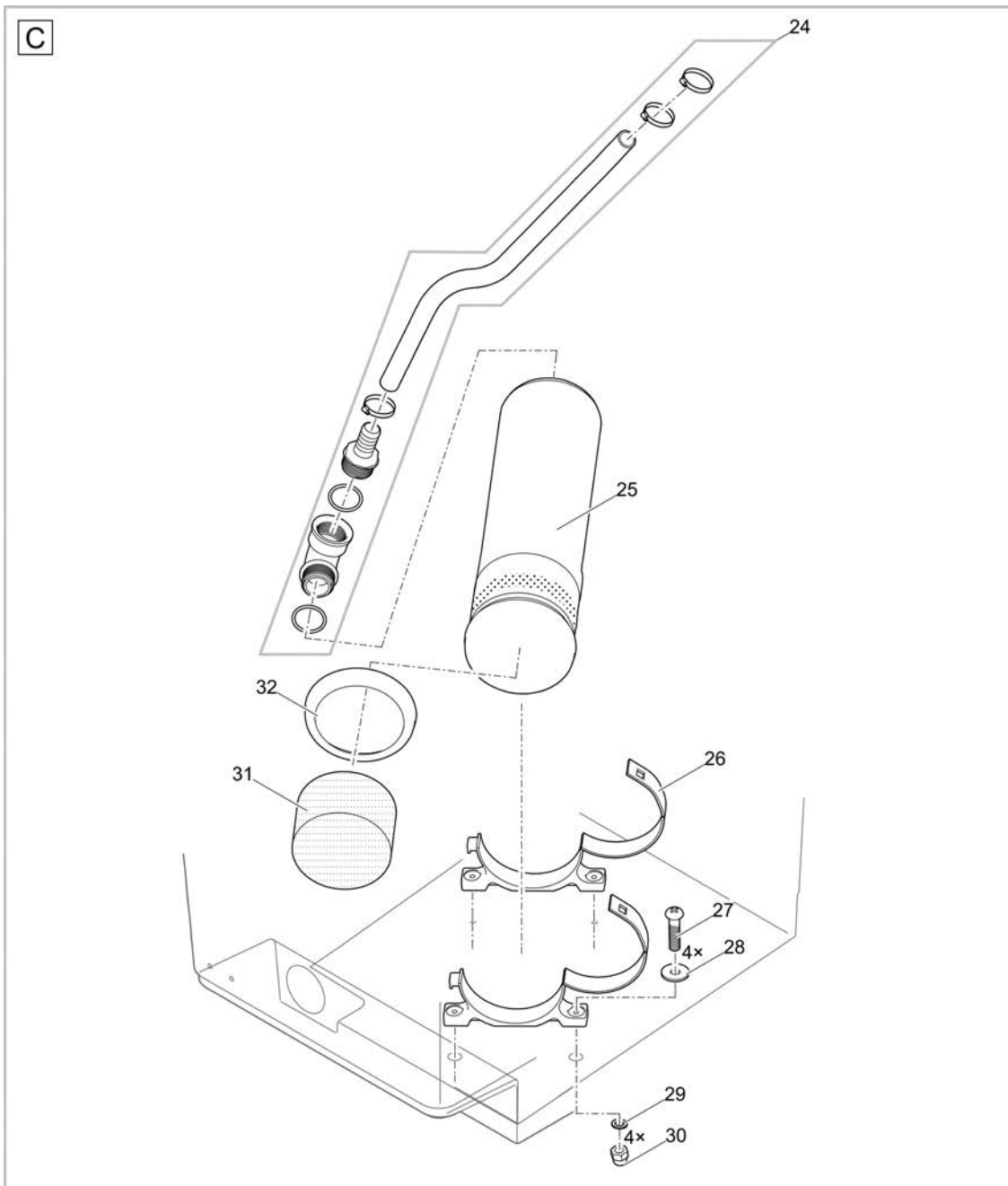
| Item no. | Product |
|----------|--|
| 73367 | ProfiClear Premium XL Moving Bed |
| 76557 | ProfiClear Premium XL Moving Bed Hel-X |

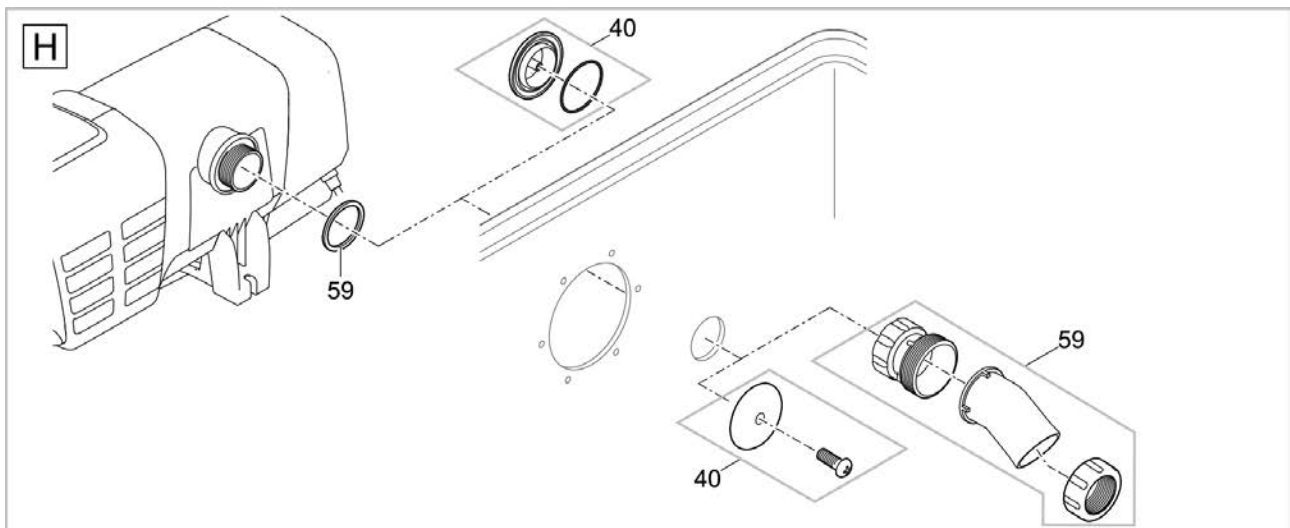
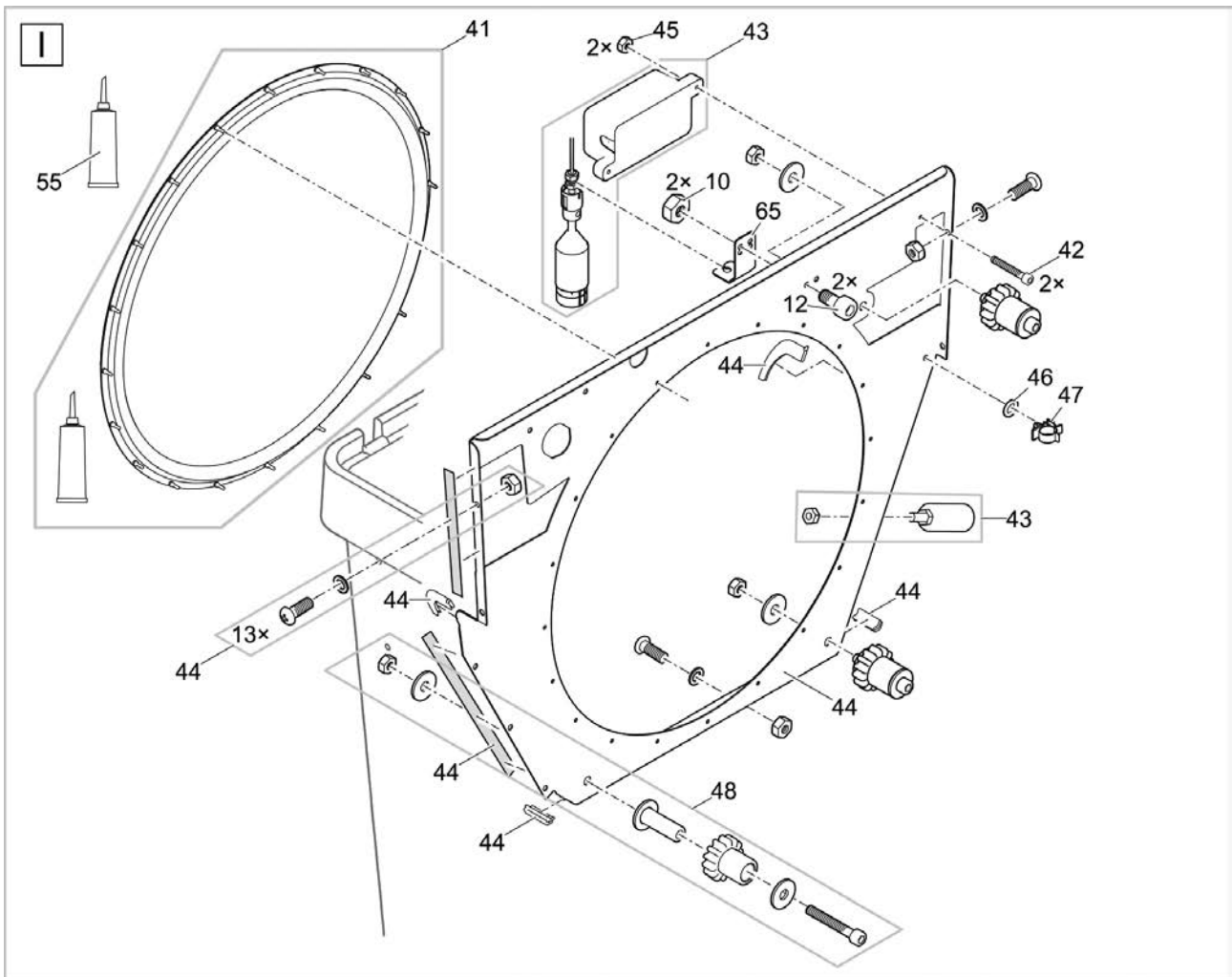




| Pos. | Item no. Product | Product | Item no. Spare part | Spare part | Number |
|------|---------------------|--|------------------------|--|--------|
| 1 | 73367 | ProfiClear Premium XL Moving Bed [INT] | 71759 | ASM cover XL Moving Bed | 1 |
| | 76557 | ProfiClear Premium XL Moving Bed Hel-X [INT] | | | |
| 2 | 73367 | ProfiClear Premium XL Moving Bed [INT] | 77533 | Spare mesh tube moving bed XL | 1 |
| | 76557 | ProfiClear Premium XL Moving Bed Hel-X [INT] | | | |
| 3 | 73367 | ProfiClear Premium XL Moving Bed [INT] | 42904 | Hel-X 13 Biomedica 25 l | 1 |
| | 76557 | ProfiClear Premium XL Moving Bed Hel-X [INT] | | | |
| 4 | 73367 | ProfiClear Premium XL Moving Bed [INT] | 70425 | Oval head screw Torx V2A ISO14583 M6x25 | 1 |
| | 76557 | ProfiClear Premium XL Moving Bed Hel-X [INT] | | | |
| 5 | 73367 | ProfiClear Premium XL Moving Bed [INT] | 20609 | Fiberplate DIN 7603 6 x 12 x 1 mm | 1 |
| | 76557 | ProfiClear Premium XL Moving Bed Hel-X [INT] | | | |
| 6 | 73367 | ProfiClear Premium XL Moving Bed [INT] | 35676 | Strap grip PA black | 1 |
| | 76557 | ProfiClear Premium XL Moving Bed Hel-X [INT] | | | |
| 7 | 73367 | ProfiClear Premium XL Moving Bed [INT] | 72596 | Perforated sheet outlet moving bed XL | 1 |
| | 76557 | ProfiClear Premium XL Moving Bed Hel-X [INT] | | | |
| 8 | 73367 | ProfiClear Premium XL Moving Bed [INT] | 77532 | Spare connection air stone Moving Bed XL | 1 |
| | 76557 | ProfiClear Premium XL Moving Bed Hel-X [INT] | | | |
| 10 | 73367 | ProfiClear Premium XL Moving Bed [INT] | 17216 | Airstone clamp bio filter | 1 |
| | 76557 | ProfiClear Premium XL Moving Bed Hel-X [INT] | | | |
| 11 | 73367 | ProfiClear Premium XL Moving Bed [INT] | 34784 | Oval head screw Torx V2A DIN7981 4.8x22 | 1 |
| | 76557 | ProfiClear Premium XL Moving Bed Hel-X [INT] | | | |
| 12 | 73367 | ProfiClear Premium XL Moving Bed [INT] | 76060 | Air stone ProfiClear 200 x 50 mm | 1 |
| | 76557 | ProfiClear Premium XL Moving Bed Hel-X [INT] | | | |
| 17 | 73367 | ProfiClear Premium XL Moving Bed [INT] | 54964 | ASM rubber bushing ID185 to 185 mm | 1 |
| | 76557 | ProfiClear Premium XL Moving Bed Hel-X [INT] | | | |
| 18 | 73367 | ProfiClear Premium XL Moving Bed [INT] | 72591 | Container XL Moving bed | 1 |
| | 76557 | ProfiClear Premium XL Moving Bed Hel-X [INT] | | | |
| 19 | 73367 | ProfiClear Premium XL Moving Bed [INT] | 43756 | Gasket mesh tube 2016 | 1 |
| | 76557 | ProfiClear Premium XL Moving Bed Hel-X [INT] | | | |
| 20 | 73367 | ProfiClear Premium XL Moving Bed [INT] | 26987 | Outlet 150/2 ProfiClear M 2 - M 5 | 1 |
| | 76557 | ProfiClear Premium XL Moving Bed Hel-X [INT] | | | |
| 21 | 73367 | ProfiClear Premium XL Moving Bed [INT] | 70636 | Spare drain DN75 XL | 1 |
| | 76557 | ProfiClear Premium XL Moving Bed Hel-X [INT] | | | |
| 22 | 73367 | ProfiClear Premium XL Moving Bed [INT] | 18448 | spare screw set drain DN75 Premium | 1 |
| | 76557 | ProfiClear Premium XL Moving Bed Hel-X [INT] | | | |
| 23 | 73367 | ProfiClear Premium XL Moving Bed [INT] | 33643 | Mesh tube bracket XL | 1 |
| | 76557 | ProfiClear Premium XL Moving Bed Hel-X [INT] | | | |
| 24 | 73367 | ProfiClear Premium XL Moving Bed [INT] | 70428 | Oval head screw Torx V2A ISO14585 6.3x32 | 1 |
| | 76557 | ProfiClear Premium XL Moving Bed Hel-X [INT] | | | |
| 25 | 73367 | ProfiClear Premium XL Moving Bed [INT] | 76669 | Cable holder drum filter screwable 12 mm | 1 |
| | 76557 | ProfiClear Premium XL Moving Bed Hel-X [INT] | | | |





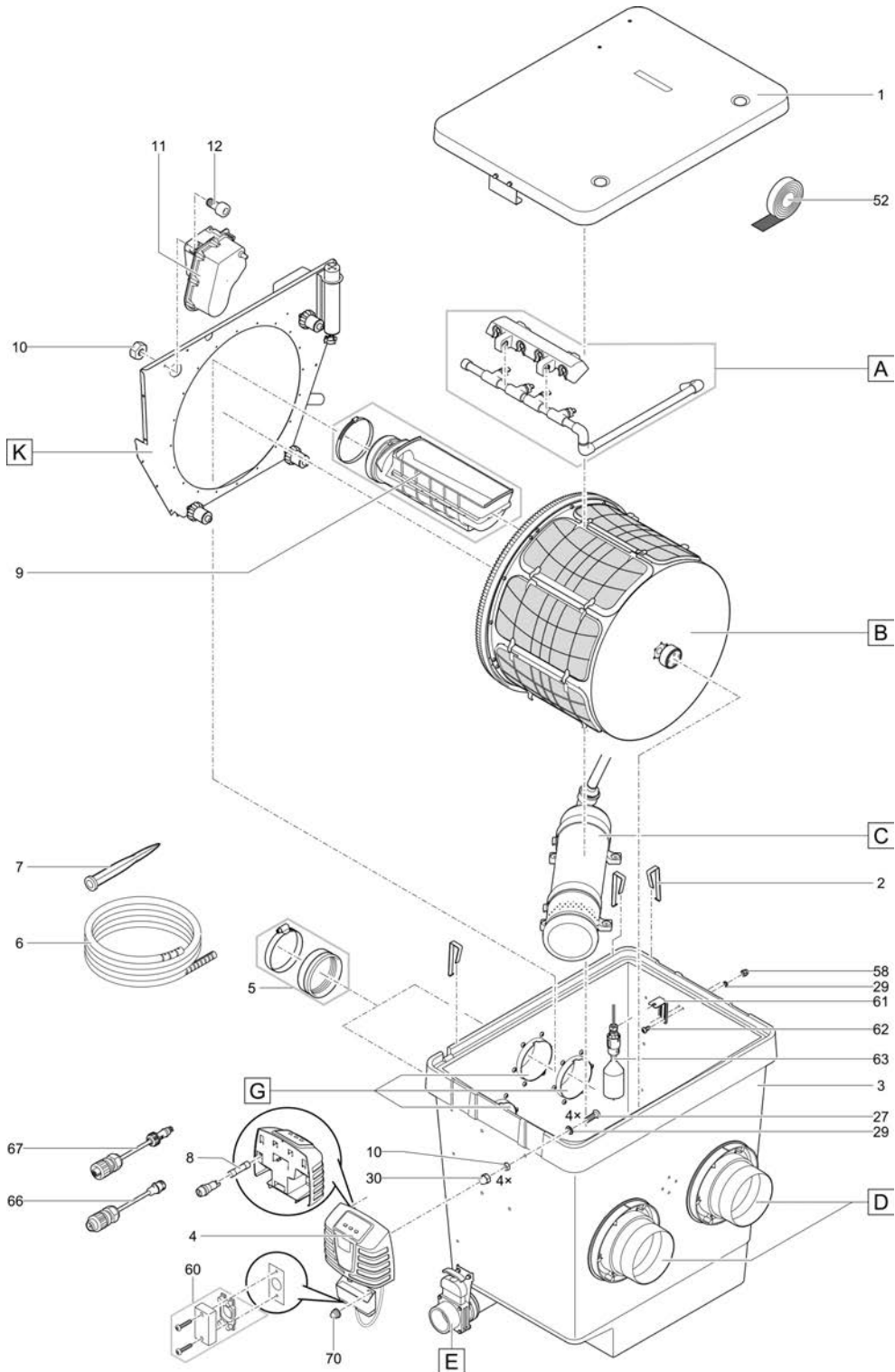


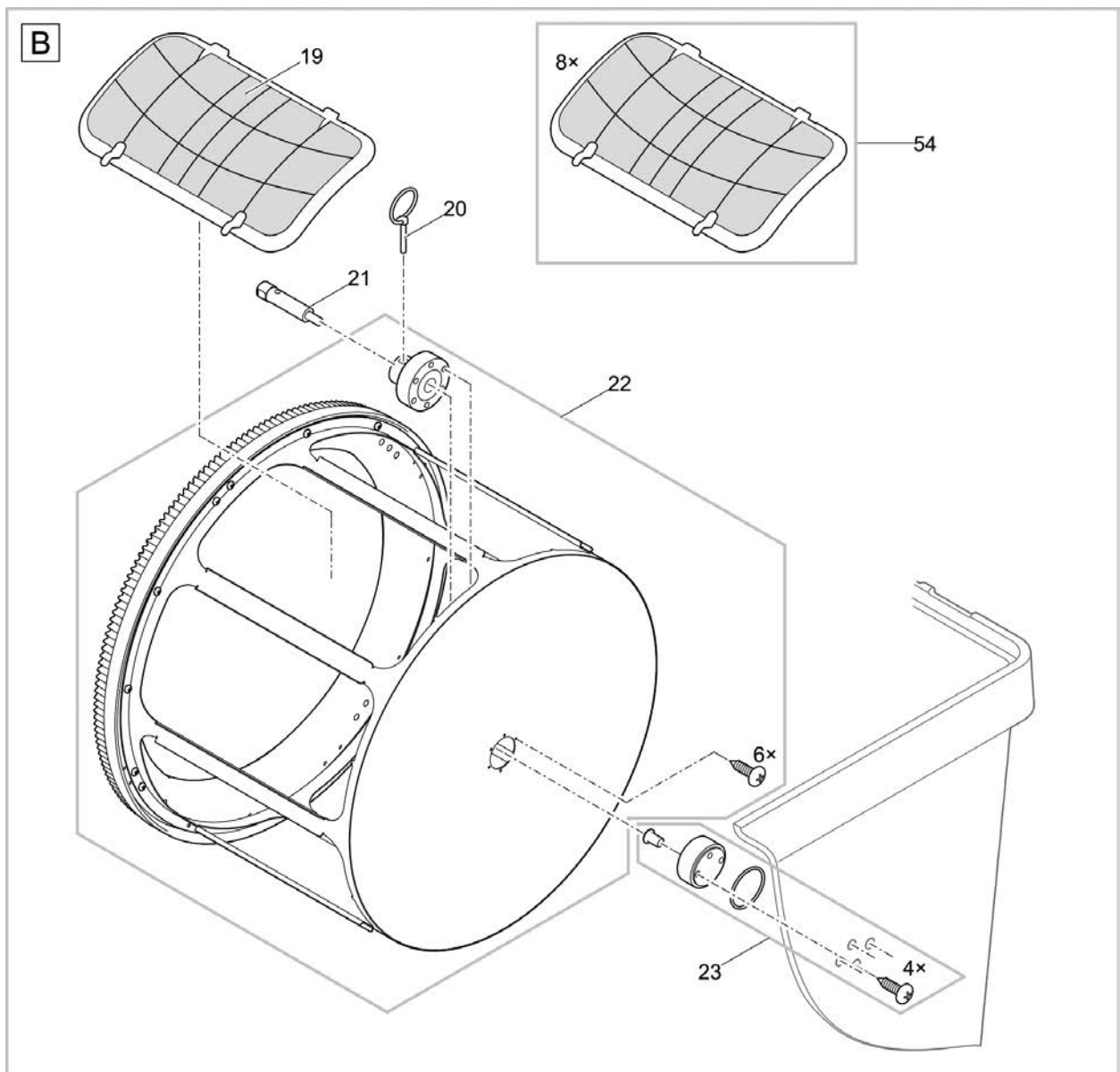
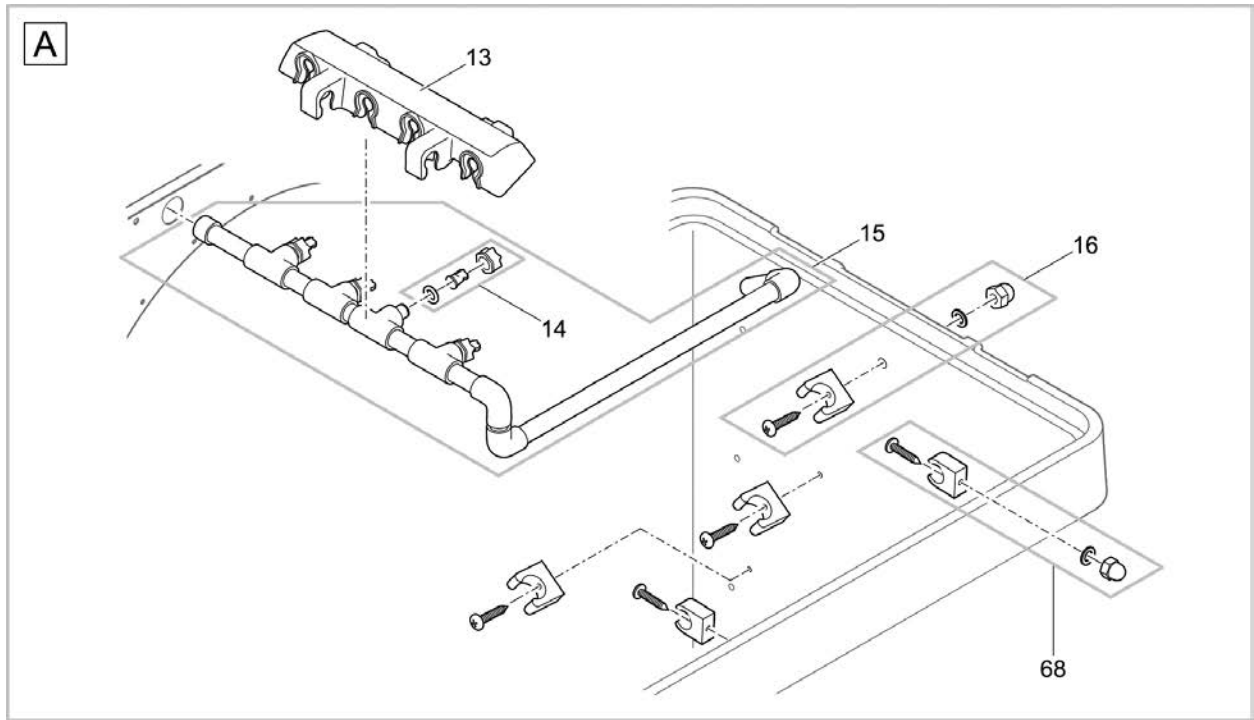
| Pos. | Item no. Product | Product | Item no. Spare part | Spare part | Number |
|------|---------------------|---|------------------------|--|--------|
| 1 | 47003 | ProfiClear Premium DF-L pump-fed OC [INT] | 18795 | Spare part lid cpl. drum filter | 1 |
| | 47004 | ProfiClear Premium DF-L pump-fed OC [GB] | | | |
| 2 | 47003 | ProfiClear Premium DF-L pump-fed OC [INT] | 18842 | Clip drum filter | 3 |
| | 47004 | ProfiClear Premium DF-L pump-fed OC [GB] | | | |
| 3 | 47003 | ProfiClear Premium DF-L pump-fed OC [INT] | 47872 | Container PCP DF-L pump-fed 2017 | 1 |
| | 47004 | ProfiClear Premium DF-L pump-fed OC [GB] | | | |
| 4 | 47003 | ProfiClear Premium DF-L pump-fed OC [INT] | 93818 | Spare controller drum filter M/L | 1 |
| | 47004 | ProfiClear Premium DF-L pump-fed OC [GB] | | | |
| 6 | 47003 | ProfiClear Premium DF-L pump-fed OC [INT] | 90118 | Spare cable protection 0.85 m | 1 |
| | 47004 | ProfiClear Premium DF-L pump-fed OC [GB] | | | |
| 8 | 47003 | ProfiClear Premium DF-L pump-fed OC [INT] | 18692 | Fuse T8A 250 V | 1 |
| | 47004 | ProfiClear Premium DF-L pump-fed OC [GB] | | | |
| 9 | 47003 | ProfiClear Premium DF-L pump-fed OC [INT] | 48173 | ASM waste channel PCP DF-L 2017 | 1 |
| | 47004 | ProfiClear Premium DF-L pump-fed OC [GB] | | | |
| 10 | 47003 | ProfiClear Premium DF-L pump-fed OC [INT] | 6128 | Lock nut V2A DIN 985 M6 | 17 |
| | 47004 | ProfiClear Premium DF-L pump-fed OC [GB] | | | |
| 11 | 47003 | ProfiClear Premium DF-L pump-fed OC [INT] | 71771 | Spare ASM drum motor | 1 |
| | 47004 | ProfiClear Premium DF-L pump-fed OC [GB] | | | |
| 12 | 47003 | ProfiClear Premium DF-L pump-fed OC [INT] | 5948 | Cylinder screw V2A DIN 912 6 x 12 | 1 |
| | 47004 | ProfiClear Premium DF-L pump-fed OC [GB] | | | |
| 13 | 47003 | ProfiClear Premium DF-L pump-fed OC [INT] | 47882 | Cover cleaning tube PCP DF-L 2017 | 1 |
| | 47004 | ProfiClear Premium DF-L pump-fed OC [GB] | | | |
| 14 | 47003 | ProfiClear Premium DF-L pump-fed OC [INT] | 18797 | Spare nozzle ProfiClear Premium | 1 |
| | 47004 | ProfiClear Premium DF-L pump-fed OC [GB] | | | |
| 15 | 47003 | ProfiClear Premium DF-L pump-fed OC [INT] | 85634 | Spare cleaning tube DF-L 2017 with cover | 1 |
| | 47004 | ProfiClear Premium DF-L pump-fed OC [GB] | | | |
| 16 | 47003 | ProfiClear Premium DF-L pump-fed OC [INT] | 18790 | Spare hose bracket ProfiClear Premium | 1 |
| | 47004 | ProfiClear Premium DF-L pump-fed OC [GB] | | | |
| 19 | 47003 | ProfiClear Premium DF-L pump-fed OC [INT] | 19004 | ASM sieve frame 150 µm | 8 |
| | 47004 | ProfiClear Premium DF-L pump-fed OC [GB] | | | |
| 20 | 47003 | ProfiClear Premium DF-L pump-fed OC [INT] | 19515 | Locking pin V2A DIN 11023 - 6 mm | 1 |
| | 47004 | ProfiClear Premium DF-L pump-fed OC [GB] | | | |
| 21 | 47003 | ProfiClear Premium DF-L pump-fed OC [INT] | 16288 | Drum shaft | 1 |
| | 47004 | ProfiClear Premium DF-L pump-fed OC [GB] | | | |
| 22 | 47003 | ProfiClear Premium DF-L pump-fed OC [INT] | 18796 | Spare drum ProfiClear Premium | 1 |
| | 47004 | ProfiClear Premium DF-L pump-fed OC [GB] | | | |
| 23 | 47003 | ProfiClear Premium DF-L pump-fed OC [INT] | 18791 | Spare drum bearing drum filter | 1 |
| | 47004 | ProfiClear Premium DF-L pump-fed OC [GB] | | | |
| 24 | 47003 | ProfiClear Premium DF-L pump-fed OC [INT] | 18793 | Spare connector rinse pump ProfiClear | 1 |
| | 47004 | ProfiClear Premium DF-L pump-fed OC [GB] | | | |
| 25 | 47003 | ProfiClear Premium DF-L pump-fed OC [INT] | 48178 | Rinse pump 6 bar - 2.7 m cable | 1 |
| | 47004 | ProfiClear Premium DF-L pump-fed OC [GB] | | | |
| 26 | 47003 | ProfiClear Premium DF-L pump-fed OC [INT] | 17043 | Fastening kit rinse pump | 2 |
| | 47004 | ProfiClear Premium DF-L pump-fed OC [GB] | | | |
| 27 | 47003 | ProfiClear Premium DF-L pump-fed OC [INT] | 17918 | Oval head screw V2A DIN 7985 M6 x 25 | 12 |
| | 47004 | ProfiClear Premium DF-L pump-fed OC [GB] | | | |
| 28 | 47003 | ProfiClear Premium DF-L pump-fed OC [INT] | 6143 | Washer VA DIN 9021 6.4 | 4 |
| | 47004 | ProfiClear Premium DF-L pump-fed OC [GB] | | | |

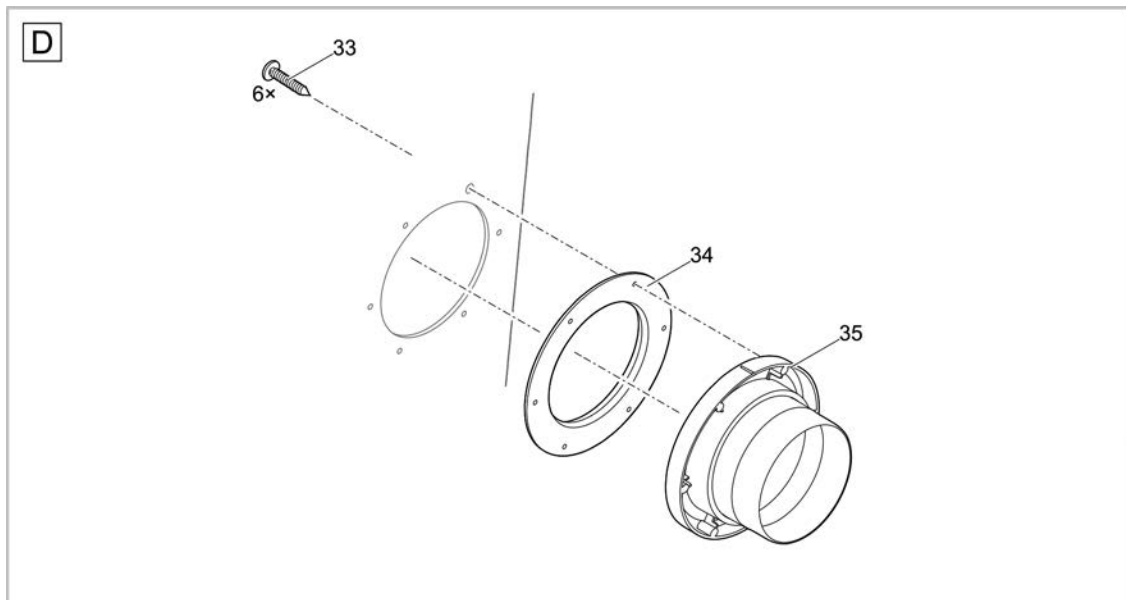
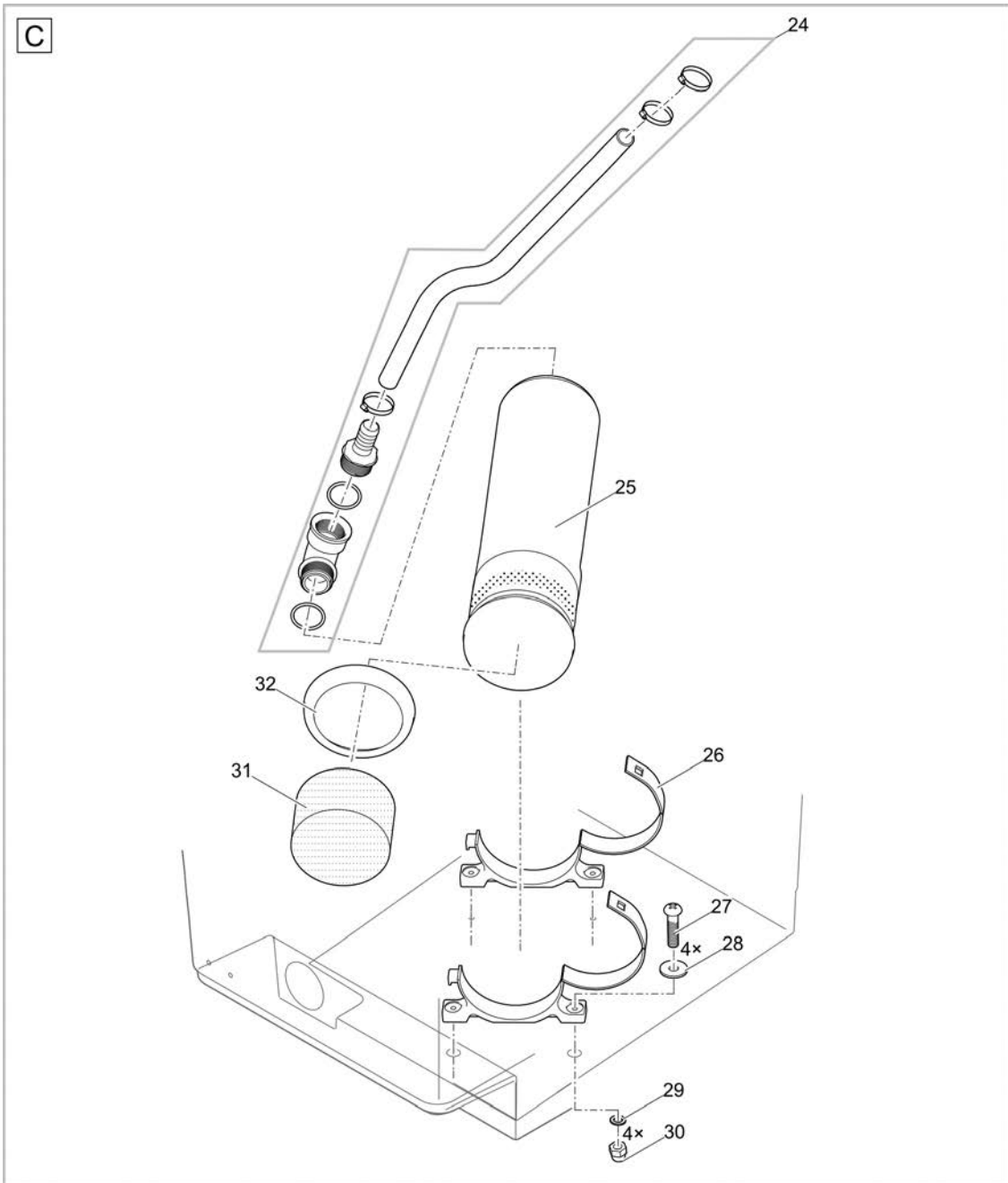
| Pos. | Item no. Product | Product | Item no. Spare part | Spare part | Number |
|------|---------------------|---|------------------------|--|--------|
| 29 | 47003 | ProfiClear Premium DF-L pump-fed OC [INT] | 20609 | Fiberplate DIN 7603 6 x 12 x 1 mm | 39 |
| | 47004 | ProfiClear Premium DF-L pump-fed OC [GB] | | | |
| 30 | 47003 | ProfiClear Premium DF-L pump-fed OC [INT] | 6117 | Cap nut V2A DIN 1587 M6 | 19 |
| | 47004 | ProfiClear Premium DF-L pump-fed OC [GB] | | | 22 |
| 31 | 47003 | ProfiClear Premium DF-L pump-fed OC [INT] | 18943 | Pre-filter rinse pump | 1 |
| | 47004 | ProfiClear Premium DF-L pump-fed OC [GB] | | | |
| 32 | 47003 | ProfiClear Premium DF-L pump-fed OC [INT] | 16750 | Rubber ring pump | 1 |
| | 47004 | ProfiClear Premium DF-L pump-fed OC [GB] | | | |
| 33 | 47003 | ProfiClear Premium DF-L pump-fed OC [INT] | 27572 | Oval head screw CZ-V2A DIN 7981 6.3 x 32 | 18 |
| | 47004 | ProfiClear Premium DF-L pump-fed OC [GB] | | | |
| 34 | 47003 | ProfiClear Premium DF-L pump-fed OC [INT] | 26957 | Gasket 150 screwed | 2 |
| | 47004 | ProfiClear Premium DF-L pump-fed OC [GB] | | | |
| 35 | 47003 | ProfiClear Premium DF-L pump-fed OC [INT] | 26958 | Outlet 150/1 ProfiClear M 2 - M 5 | 2 |
| | 47004 | ProfiClear Premium DF-L pump-fed OC [GB] | | | |
| 36 | 47003 | ProfiClear Premium DF-L pump-fed OC [INT] | 18446 | Spare drain DN75 Premium | 1 |
| | 47004 | ProfiClear Premium DF-L pump-fed OC [GB] | | | |
| 37 | 47003 | ProfiClear Premium DF-L pump-fed OC [INT] | 18448 | spare screw set drain DN75 Premium | 1 |
| | 47004 | ProfiClear Premium DF-L pump-fed OC [GB] | | | |
| 38 | 47003 | ProfiClear Premium DF-L pump-fed OC [INT] | 18798 | Spare grommet drum filter pump-fed | 1 |
| | 47004 | ProfiClear Premium DF-L pump-fed OC [GB] | | | |
| 39 | 47003 | ProfiClear Premium DF-L pump-fed OC [INT] | 19005 | ASM connection set DN 110 | 1 |
| | 47004 | ProfiClear Premium DF-L pump-fed OC [GB] | | | |
| 40 | 47003 | ProfiClear Premium DF-L pump-fed OC [INT] | 35570 | Replacement Plug | 1 |
| | 47004 | ProfiClear Premium DF-L pump-fed OC [GB] | | | |
| 41 | 47003 | ProfiClear Premium DF-L pump-fed OC [INT] | 23192 | Spare drum gasket | 1 |
| | 47004 | ProfiClear Premium DF-L pump-fed OC [GB] | | | |
| 42 | 47003 | ProfiClear Premium DF-L pump-fed OC [INT] | 20320 | Cylinder screw V2A DIN 912 M4 x 20 | 2 |
| | 47004 | ProfiClear Premium DF-L pump-fed OC [GB] | | | |
| 43 | 47003 | ProfiClear Premium DF-L pump-fed OC [INT] | 40129 | ASM signal box pumped | 1 |
| | 47004 | ProfiClear Premium DF-L pump-fed OC [GB] | | | |
| 44 | 47003 | ProfiClear Premium DF-L pump-fed OC [INT] | 49036 | Spare seperating wall PCP pumped 2017 | 1 |
| | 47004 | ProfiClear Premium DF-L pump-fed OC [GB] | | | |
| 45 | 47003 | ProfiClear Premium DF-L pump-fed OC [INT] | 11113 | Safety nut V2A DIN 985 M4 | 2 |
| | 47004 | ProfiClear Premium DF-L pump-fed OC [GB] | | | |
| 46 | 47003 | ProfiClear Premium DF-L pump-fed OC [INT] | 19023 | O-Ring EPDM 6 x 1.5 SH70 A | 1 |
| | 47004 | ProfiClear Premium DF-L pump-fed OC [GB] | | | |
| 47 | 47003 | ProfiClear Premium DF-L pump-fed OC [INT] | 19402 | Cable holder drum filter | 1 |
| | 47004 | ProfiClear Premium DF-L pump-fed OC [GB] | | | |
| 48 | 47003 | ProfiClear Premium DF-L pump-fed OC [INT] | 18794 | Spare plain roller drum filter | 1 |
| | 47004 | ProfiClear Premium DF-L pump-fed OC [GB] | | | |
| 52 | 47003 | ProfiClear Premium DF-L pump-fed OC [INT] | 21981 | Spare cover gasket seal drum filter | 1 |
| | 47004 | ProfiClear Premium DF-L pump-fed OC [GB] | | | |
| 54 | 47003 | ProfiClear Premium DF-L pump-fed OC [INT] | 25376 | Spare ProfiClear Premium repl. sieve 60µ | 1 |
| | 47004 | ProfiClear Premium DF-L pump-fed OC [GB] | | | |
| 55 | 47003 | ProfiClear Premium DF-L pump-fed OC [INT] | 27872 | Turmsilon GTI 300 GK tube 10 ml | 1 |
| | 47004 | ProfiClear Premium DF-L pump-fed OC [GB] | | | |
| 56 | 47003 | ProfiClear Premium DF-L pump-fed OC [INT] | 20292 | Oval head screw V2A DIN 7985 M6 x 12 | 3 |
| | 47004 | ProfiClear Premium DF-L pump-fed OC [GB] | | | 1 |

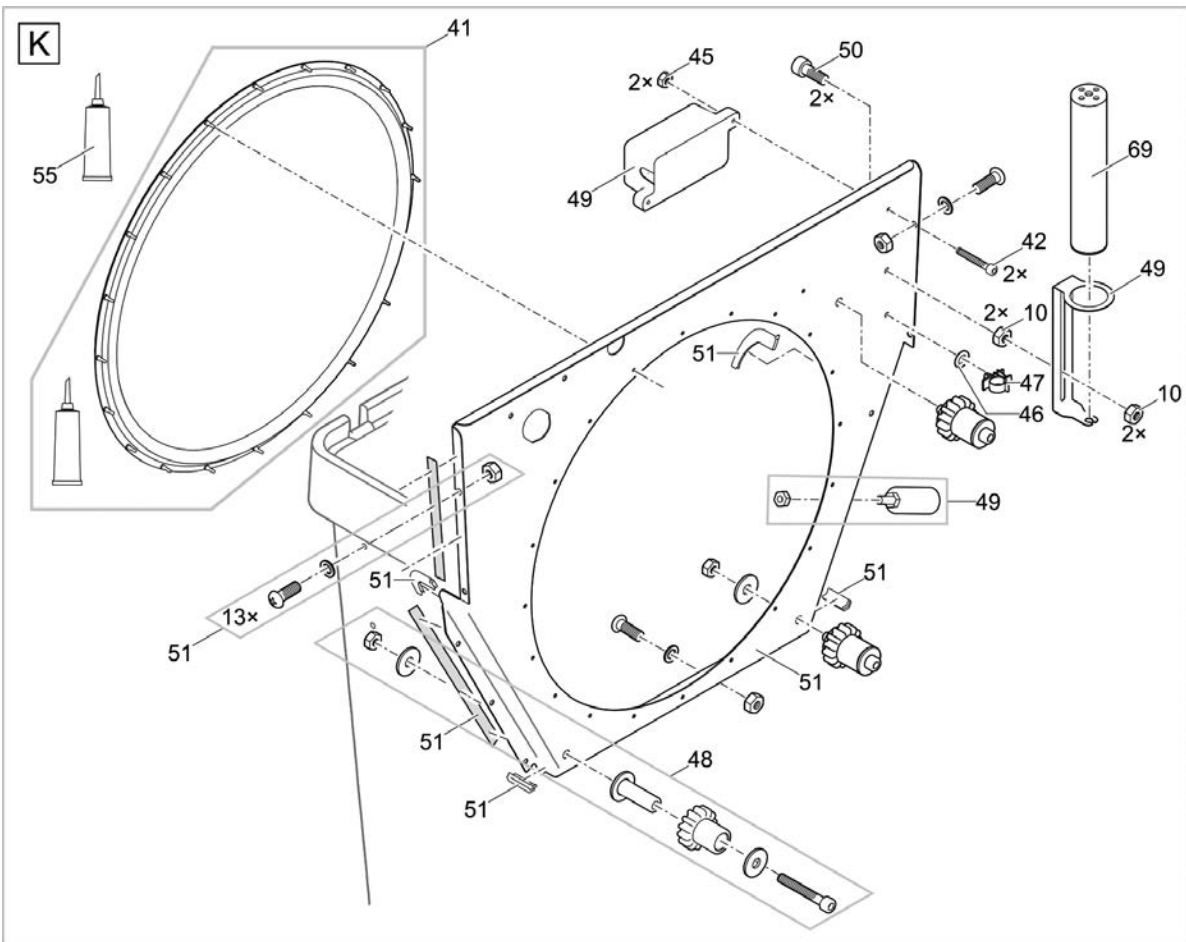
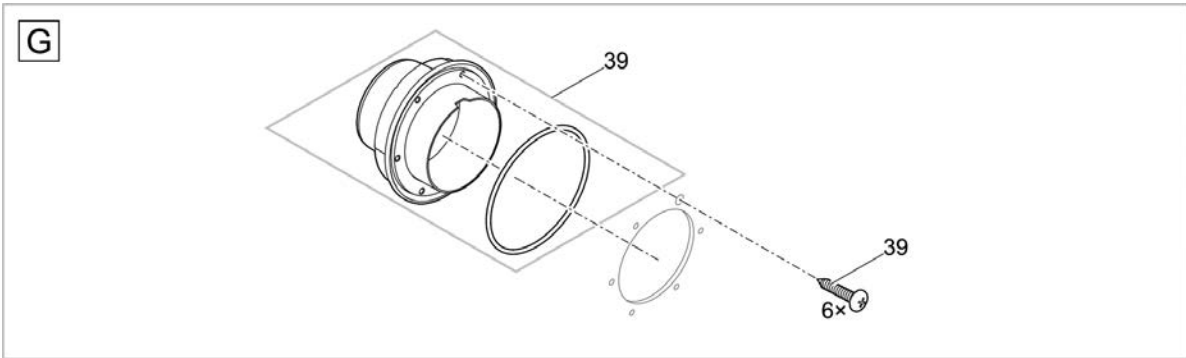
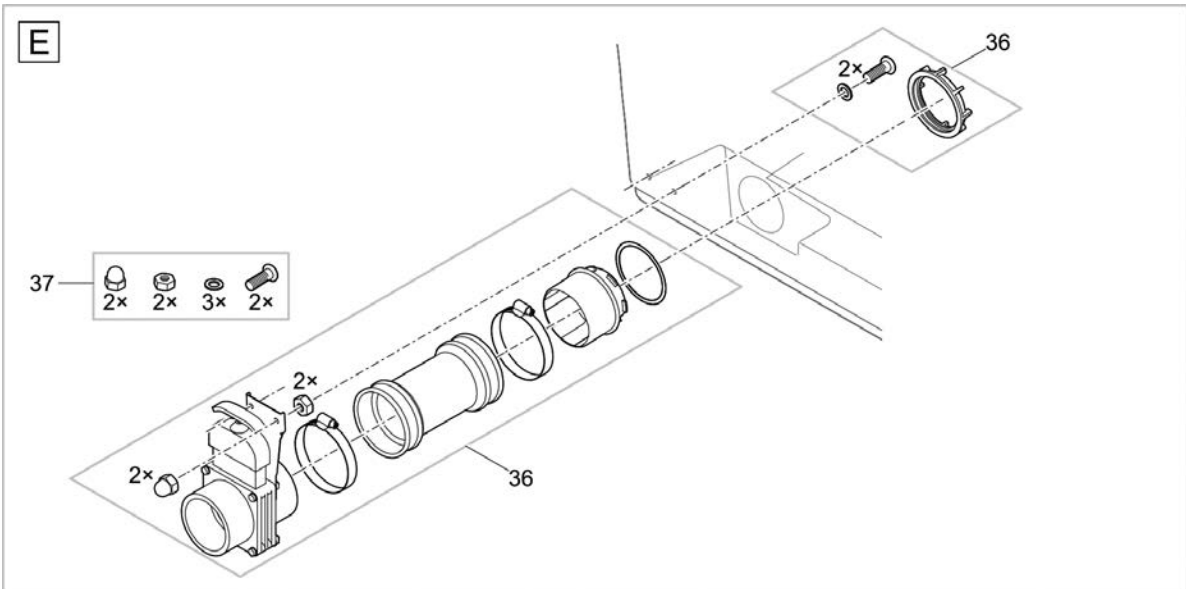
| Pos. | Item no. Product | Product | Item no. Spare part | Spare part | Number |
|------|---------------------|---|------------------------|--|--------|
| 57 | 47003 | ProfiClear Premium DF-L pump-fed OC [INT] | 12097 | Retaining nut 2" | 2 |
| | 47004 | ProfiClear Premium DF-L pump-fed OC [GB] | | | |
| 59 | 47003 | ProfiClear Premium DF-L pump-fed OC [INT] | 22746 | Add. pack drum filter pump-fed II | 1 |
| | 47004 | ProfiClear Premium DF-L pump-fed OC [GB] | | | |
| 60 | 47003 | ProfiClear Premium DF-L pump-fed OC [INT] | 43867 | Spare set ASM gland seal | 1 |
| | 47004 | ProfiClear Premium DF-L pump-fed OC [GB] | | | |
| 64 | 47003 | ProfiClear Premium DF-L pump-fed OC [INT] | 48183 | Check valve 2" | 2 |
| | 47004 | ProfiClear Premium DF-L pump-fed OC [GB] | | | |
| 65 | 47003 | ProfiClear Premium DF-L pump-fed OC [INT] | 54618 | Mounting plate float sw. PCP-L pump 2017 | 1 |
| | 47004 | ProfiClear Premium DF-L pump-fed OC [GB] | | | |
| 66 | 47003 | ProfiClear Premium DF-L pump-fed OC [INT] | 29763 | Adaptor signal box <2013-controller new | 1 |
| | 47004 | ProfiClear Premium DF-L pump-fed OC [GB] | | | |
| 67 | 47003 | ProfiClear Premium DF-L pump-fed OC [INT] | 29776 | Adaptor controller <2013-signal box new | 1 |
| | 47004 | ProfiClear Premium DF-L pump-fed OC [GB] | | | |
| 68 | 47003 | ProfiClear Premium DF-L pump-fed OC [INT] | 49035 | Spare cleaning tube bracket PCP 2017 | 1 |
| | 47004 | ProfiClear Premium DF-L pump-fed OC [GB] | | | |
| 70 | 47003 | ProfiClear Premium DF-L pump-fed OC [INT] | 49847 | Cover cap nut M6 | 1 |
| | 47004 | ProfiClear Premium DF-L pump-fed OC [GB] | | | |

| Item no. | Product |
|----------|---|
| 47005 | ProfiClear Premium DF-L gravity-fed OC |
| 47006 | GB ProfiClear Premium DF-L gravity-fed OC |







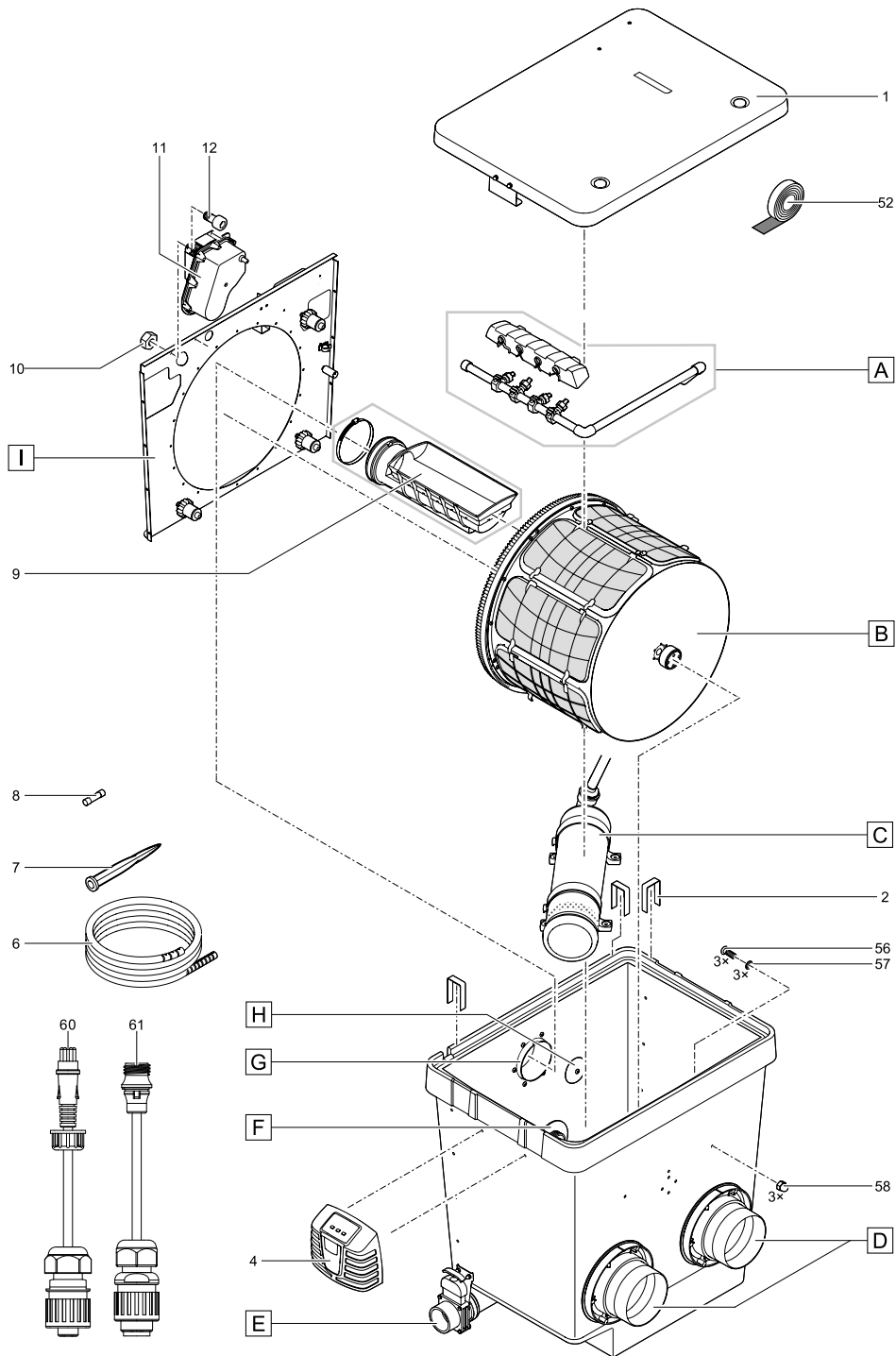


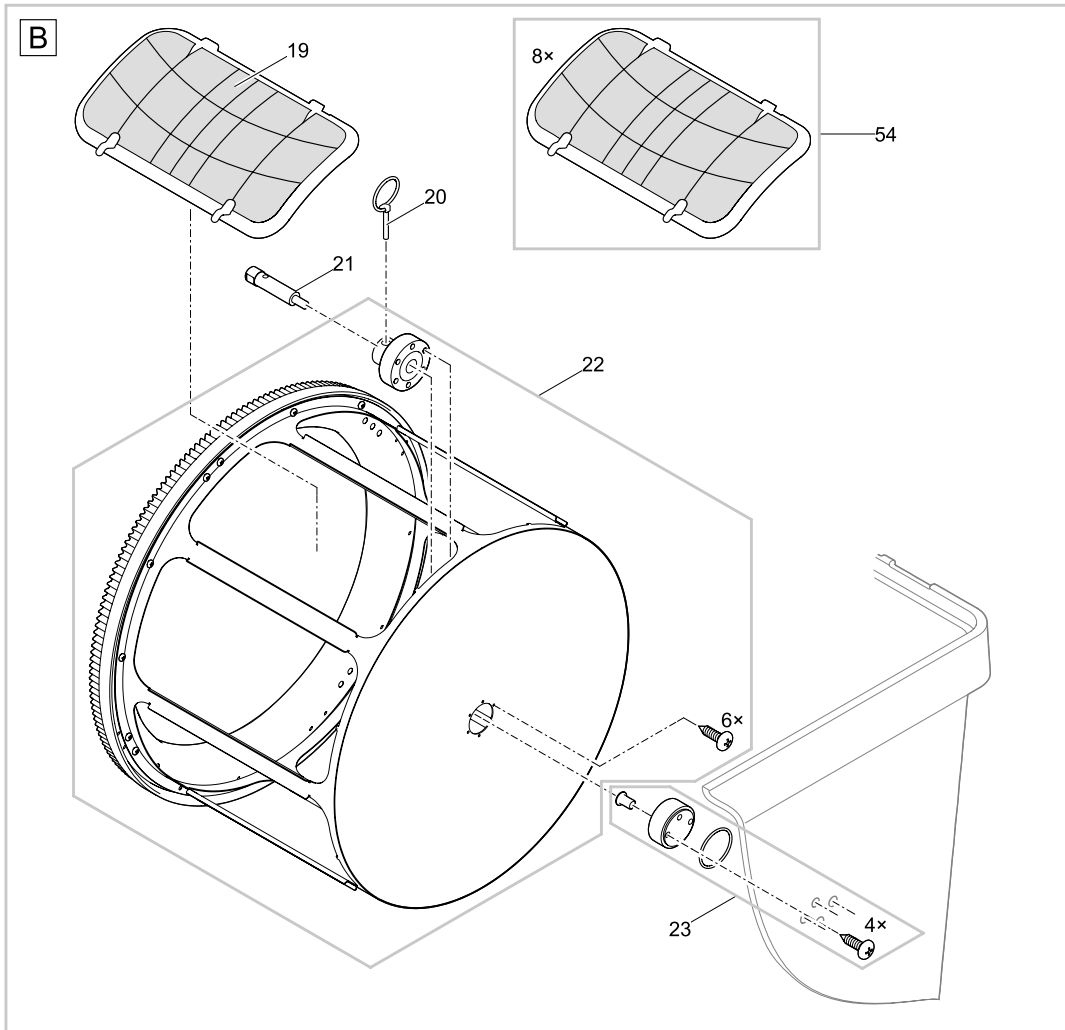
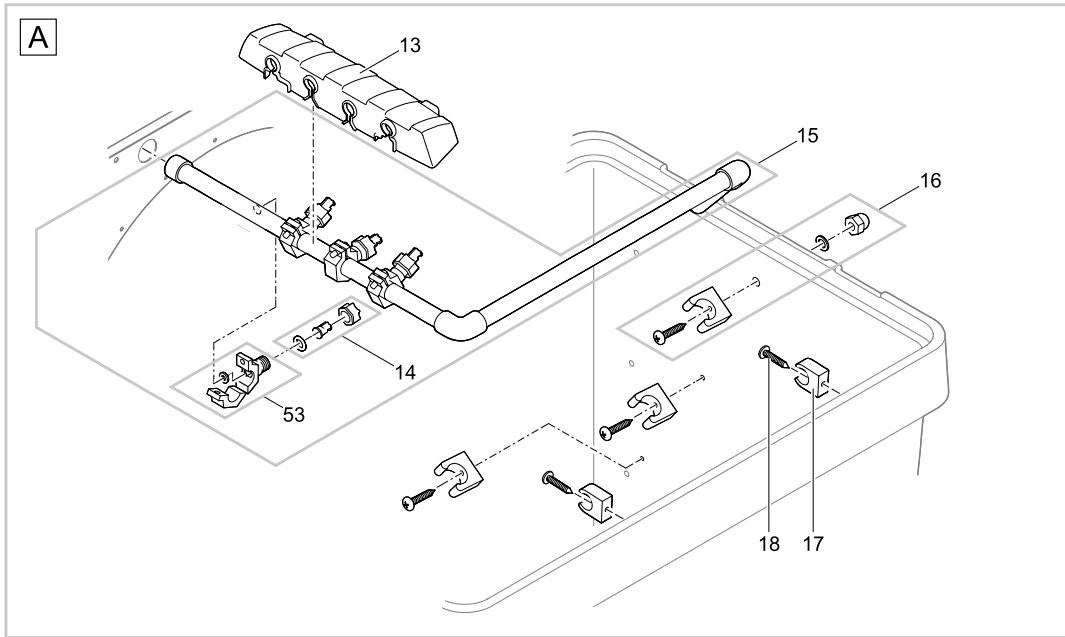
| Pos. | Item no. Product | Product | Item no. Spare part | Spare part | Number |
|------|---------------------|--|------------------------|--|--------|
| 1 | 47005 | ProfiClear Premium DF-L gravity-fed OC [INT] | 18795 | Spare part lid cpl. drum filter | 1 |
| | 47006 | ProfiClear Premium DF-L gravity-fed OC [GB] | | | |
| 2 | 47005 | ProfiClear Premium DF-L gravity-fed OC [INT] | 18842 | Clip drum filter | 3 |
| | 47006 | ProfiClear Premium DF-L gravity-fed OC [GB] | | | |
| 3 | 47005 | ProfiClear Premium DF-L gravity-fed OC [INT] | 47873 | Container PCP DF-L Gravity 2017 | 1 |
| | 47006 | ProfiClear Premium DF-L gravity-fed OC [GB] | | | |
| 4 | 47005 | ProfiClear Premium DF-L gravity-fed OC [INT] | 93818 | Spare controller drum filter M/L | 1 |
| | 47006 | ProfiClear Premium DF-L gravity-fed OC [GB] | | | |
| 5 | 47005 | ProfiClear Premium DF-L gravity-fed OC [INT] | 16387 | Blanking cap DN 110 | 3 |
| | 47006 | ProfiClear Premium DF-L gravity-fed OC [GB] | | | |
| 6 | 47005 | ProfiClear Premium DF-L gravity-fed OC [INT] | 90119 | Spare cable protection 5.0 m | 1 |
| | 47006 | ProfiClear Premium DF-L gravity-fed OC [GB] | | | |
| 7 | 47005 | ProfiClear Premium DF-L gravity-fed OC [INT] | 20284 | Spike | 2 |
| | 47006 | ProfiClear Premium DF-L gravity-fed OC [GB] | | | |
| 8 | 47005 | ProfiClear Premium DF-L gravity-fed OC [INT] | 18692 | Fuse T8A 250 V | 1 |
| | 47006 | ProfiClear Premium DF-L gravity-fed OC [GB] | | | |
| 9 | 47005 | ProfiClear Premium DF-L gravity-fed OC [INT] | 48173 | ASM waste channel PCP DF-L 2017 | 1 |
| | 47006 | ProfiClear Premium DF-L gravity-fed OC [GB] | | | |
| 10 | 47005 | ProfiClear Premium DF-L gravity-fed OC [INT] | 6128 | Lock nut V2A DIN 985 M6 | 19 |
| | 47006 | ProfiClear Premium DF-L gravity-fed OC [GB] | | | |
| 11 | 47005 | ProfiClear Premium DF-L gravity-fed OC [INT] | 71771 | Spare ASM drum motor | 1 |
| | 47006 | ProfiClear Premium DF-L gravity-fed OC [GB] | | | |
| 13 | 47005 | ProfiClear Premium DF-L gravity-fed OC [INT] | 47882 | Cover cleaning tube PCP DF-L 2017 | 1 |
| | 47006 | ProfiClear Premium DF-L gravity-fed OC [GB] | | | |
| 14 | 47005 | ProfiClear Premium DF-L gravity-fed OC [INT] | 18797 | Spare nozzle ProfiClear Premium | 1 |
| | 47006 | ProfiClear Premium DF-L gravity-fed OC [GB] | | | |
| 15 | 47005 | ProfiClear Premium DF-L gravity-fed OC [INT] | 85634 | Spare cleaning tube DF-L 2017 with cover | 1 |
| | 47006 | ProfiClear Premium DF-L gravity-fed OC [GB] | | | |
| 16 | 47005 | ProfiClear Premium DF-L gravity-fed OC [INT] | 18790 | Spare hose bracket ProfiClear Premium | 1 |
| | 47006 | ProfiClear Premium DF-L gravity-fed OC [GB] | | | |
| 19 | 47005 | ProfiClear Premium DF-L gravity-fed OC [INT] | 19004 | ASM sieve frame 150 µm | 8 |
| | 47006 | ProfiClear Premium DF-L gravity-fed OC [GB] | | | |
| 20 | 47005 | ProfiClear Premium DF-L gravity-fed OC [INT] | 19515 | Locking pin V2A DIN 11023 - 6 mm | 1 |
| | 47006 | ProfiClear Premium DF-L gravity-fed OC [GB] | | | |
| 21 | 47005 | ProfiClear Premium DF-L gravity-fed OC [INT] | 16288 | Drum shaft | 1 |
| | 47006 | ProfiClear Premium DF-L gravity-fed OC [GB] | | | |
| 22 | 47005 | ProfiClear Premium DF-L gravity-fed OC [INT] | 18796 | Spare drum ProfiClear Premium | 1 |
| | 47006 | ProfiClear Premium DF-L gravity-fed OC [GB] | | | |
| 23 | 47005 | ProfiClear Premium DF-L gravity-fed OC [INT] | 18791 | Spare drum bearing drum filter | 1 |
| | 47006 | ProfiClear Premium DF-L gravity-fed OC [GB] | | | |
| 24 | 47005 | ProfiClear Premium DF-L gravity-fed OC [INT] | 18793 | Spare connector rinse pump ProfiClear | 1 |
| | 47006 | ProfiClear Premium DF-L gravity-fed OC [GB] | | | |
| 25 | 47005 | ProfiClear Premium DF-L gravity-fed OC [INT] | 16566 | Rinse pump 6 bar - 6.35 m cable | 1 |
| | 47006 | ProfiClear Premium DF-L gravity-fed OC [GB] | | | |
| 26 | 47005 | ProfiClear Premium DF-L gravity-fed OC [INT] | 17043 | Fastening kit rinse pump | 2 |
| | 47006 | ProfiClear Premium DF-L gravity-fed OC [GB] | | | 1 |
| 27 | 47005 | ProfiClear Premium DF-L gravity-fed OC [INT] | 17918 | Oval head screw V2A DIN 7985 M6 x 25 | 8 |
| | 47006 | ProfiClear Premium DF-L gravity-fed OC [GB] | | | 1 |

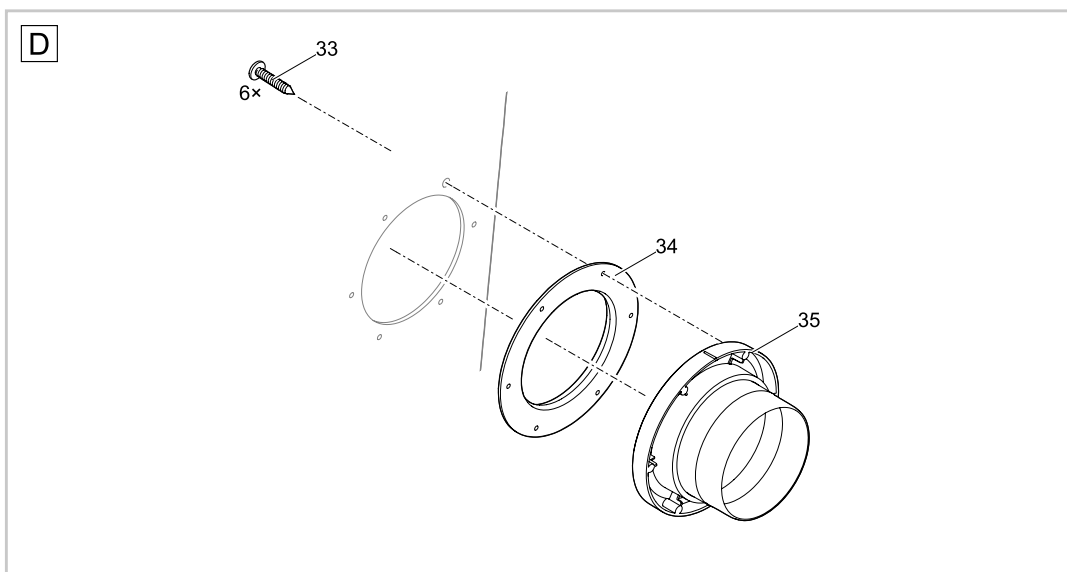
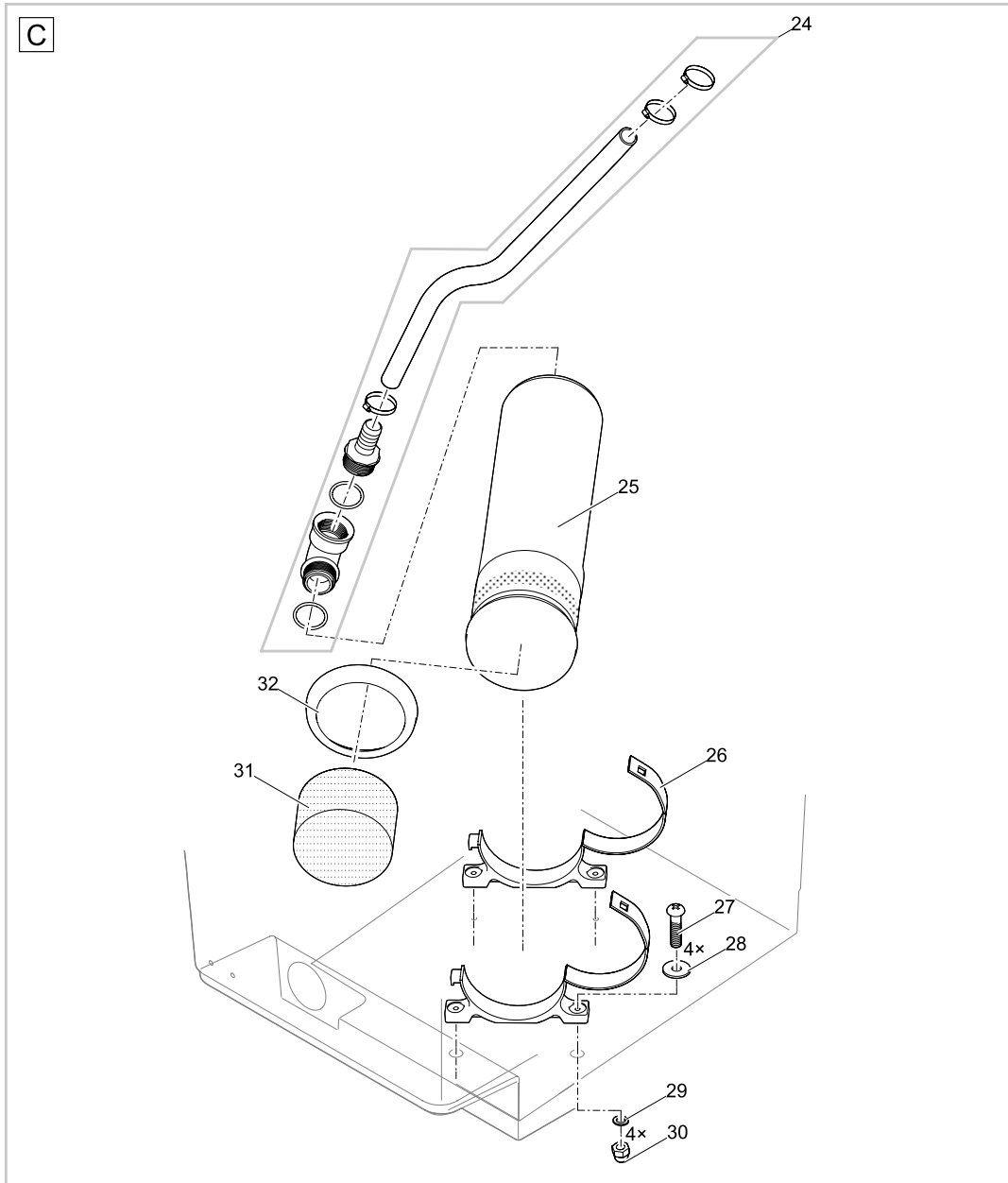
| Pos. | Item no. Product | Product | Item no. Spare part | Spare part | Number |
|------|---------------------|--|------------------------|--|--------|
| 28 | 47005 | ProfiClear Premium DF-L gravity-fed OC [INT] | 6143 | Washer VA DIN 9021 6.4 | 4 |
| | 47006 | ProfiClear Premium DF-L gravity-fed OC [GB] | | | 1 |
| 29 | 47005 | ProfiClear Premium DF-L gravity-fed OC [INT] | 20609 | Fiberplate DIN 7603 6 x 12 x 1 mm | 34 |
| | 47006 | ProfiClear Premium DF-L gravity-fed OC [GB] | | | |
| 30 | 47005 | ProfiClear Premium DF-L gravity-fed OC [INT] | 6117 | Cap nut V2A DIN 1587 M6 | 17 |
| | 47006 | ProfiClear Premium DF-L gravity-fed OC [GB] | | | |
| 31 | 47005 | ProfiClear Premium DF-L gravity-fed OC [INT] | 18943 | Pre-filter rinse pump | 1 |
| | 47006 | ProfiClear Premium DF-L gravity-fed OC [GB] | | | |
| 32 | 47005 | ProfiClear Premium DF-L gravity-fed OC [INT] | 16750 | Rubber ring pump | 1 |
| | 47006 | ProfiClear Premium DF-L gravity-fed OC [GB] | | | |
| 33 | 47005 | ProfiClear Premium DF-L gravity-fed OC [INT] | 27572 | Oval head screw CZ-V2A DIN 7981 6.3 x 32 | 42 |
| | 47006 | ProfiClear Premium DF-L gravity-fed OC [GB] | | | |
| 34 | 47005 | ProfiClear Premium DF-L gravity-fed OC [INT] | 26957 | Gasket 150 screwed | 2 |
| | 47006 | ProfiClear Premium DF-L gravity-fed OC [GB] | | | |
| 35 | 47005 | ProfiClear Premium DF-L gravity-fed OC [INT] | 26958 | Outlet 150/1 ProfiClear M 2 - M 5 | 2 |
| | 47006 | ProfiClear Premium DF-L gravity-fed OC [GB] | | | |
| 36 | 47005 | ProfiClear Premium DF-L gravity-fed OC [INT] | 18446 | Spare drain DN75 Premium | 1 |
| | 47006 | ProfiClear Premium DF-L gravity-fed OC [GB] | | | |
| 37 | 47005 | ProfiClear Premium DF-L gravity-fed OC [INT] | 18448 | spare screw set drain DN75 Premium | 1 |
| | 47006 | ProfiClear Premium DF-L gravity-fed OC [GB] | | | |
| 39 | 47005 | ProfiClear Premium DF-L gravity-fed OC [INT] | 19005 | ASM connection set DN 110 | 1 |
| | 47006 | ProfiClear Premium DF-L gravity-fed OC [GB] | | | |
| 41 | 47005 | ProfiClear Premium DF-L gravity-fed OC [INT] | 23192 | Spare drum gasket | 1 |
| | 47006 | ProfiClear Premium DF-L gravity-fed OC [GB] | | | |
| 42 | 47005 | ProfiClear Premium DF-L gravity-fed OC [INT] | 20320 | Cylinder screw V2A DIN 912 M4 x 20 | 2 |
| | 47006 | ProfiClear Premium DF-L gravity-fed OC [GB] | | | |
| 45 | 47005 | ProfiClear Premium DF-L gravity-fed OC [INT] | 11113 | Safety nut V2A DIN 985 M4 | 2 |
| | 47006 | ProfiClear Premium DF-L gravity-fed OC [GB] | | | |
| 46 | 47005 | ProfiClear Premium DF-L gravity-fed OC [INT] | 19023 | O-Ring EPDM 6 x 1.5 SH70 A | 1 |
| | 47006 | ProfiClear Premium DF-L gravity-fed OC [GB] | | | |
| 47 | 47005 | ProfiClear Premium DF-L gravity-fed OC [INT] | 19402 | Cable holder drum filter | 1 |
| | 47006 | ProfiClear Premium DF-L gravity-fed OC [GB] | | | |
| 48 | 47005 | ProfiClear Premium DF-L gravity-fed OC [INT] | 18794 | Spare plain roller drum filter | 1 |
| | 47006 | ProfiClear Premium DF-L gravity-fed OC [GB] | | | |
| 50 | 47005 | ProfiClear Premium DF-L gravity-fed OC [INT] | 5949 | Cylinder screw V2A DIN 912 6 x 16 | 2 |
| | 47006 | ProfiClear Premium DF-L gravity-fed OC [GB] | | | |
| 51 | 47005 | ProfiClear Premium DF-L gravity-fed OC [INT] | 49037 | Spare seperating wall PCP gravity 2017 | 1 |
| | 47006 | ProfiClear Premium DF-L gravity-fed OC [GB] | | | |
| 52 | 47005 | ProfiClear Premium DF-L gravity-fed OC [INT] | 21981 | Spare cover gasket seal drum filter | 1 |
| | 47006 | ProfiClear Premium DF-L gravity-fed OC [GB] | | | |
| 54 | 47005 | ProfiClear Premium DF-L gravity-fed OC [INT] | 25376 | Spare ProfiClear Premium repl. sieve 60µ | 1 |
| | 47006 | ProfiClear Premium DF-L gravity-fed OC [GB] | | | |
| 55 | 47005 | ProfiClear Premium DF-L gravity-fed OC [INT] | 27872 | Turmsilon GTI 300 GK tube 10 ml | 1 |
| | 47006 | ProfiClear Premium DF-L gravity-fed OC [GB] | | | |
| 60 | 47005 | ProfiClear Premium DF-L gravity-fed OC [INT] | 43867 | Spare set ASM gland seal | 1 |
| | 47006 | ProfiClear Premium DF-L gravity-fed OC [GB] | | | |
| 61 | 47005 | ProfiClear Premium DF-L gravity-fed OC [INT] | 48250 | Mounting plate float switch PCP Gravi.II | 1 |
| | 47006 | ProfiClear Premium DF-L gravity-fed OC [GB] | | | |

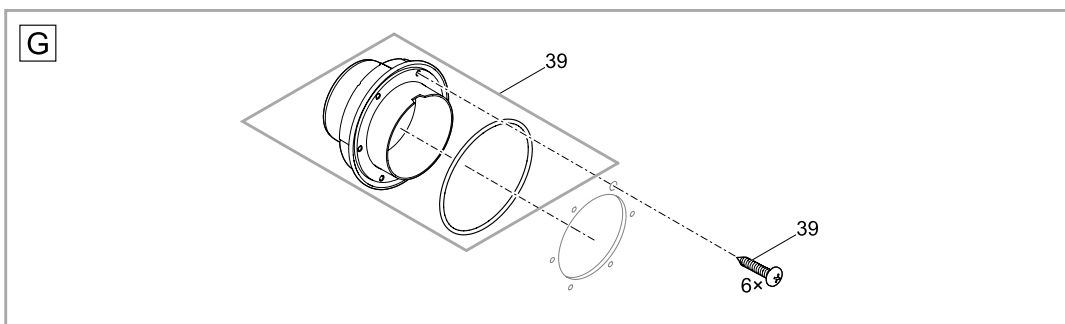
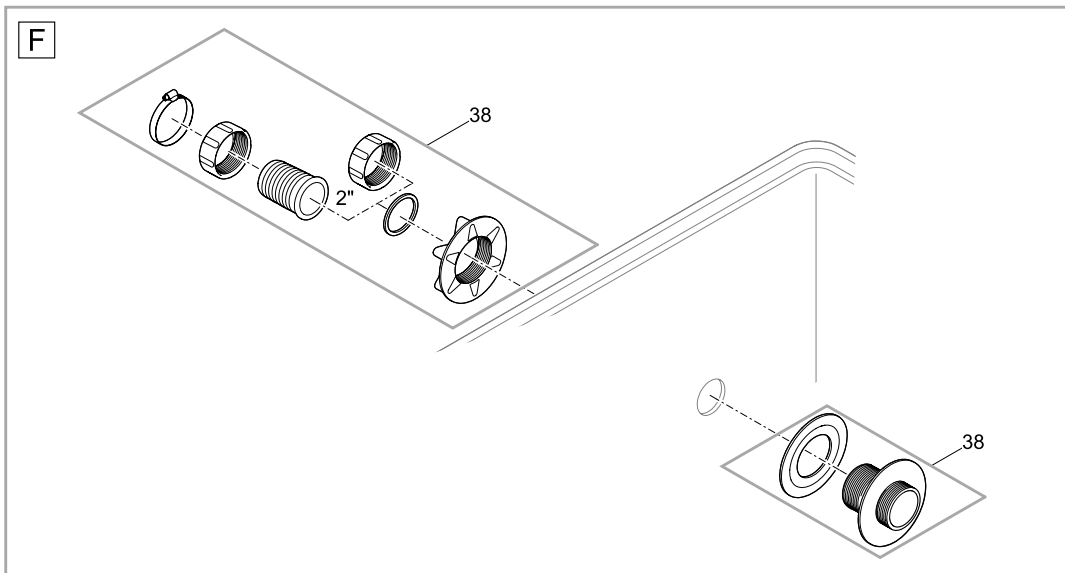
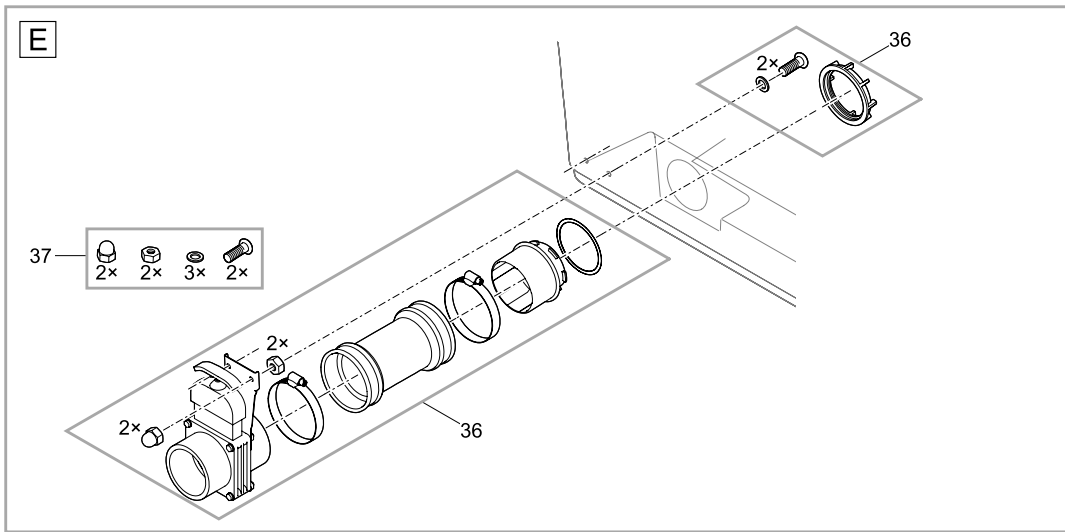
| Pos. | Item no. Product | Product | Item no. Spare part | Spare part | Number |
|------|---------------------|--|------------------------|--|--------|
| 62 | 47005 | ProfiClear Premium DF-L gravity-fed OC [INT] | 5948 | Cylinder screw V2A DIN 912 6 x 12 | 1 |
| | 47006 | ProfiClear Premium DF-L gravity-fed OC [GB] | | | |
| 63 | 47005 | ProfiClear Premium DF-L gravity-fed OC [INT] | 43493 | ASM signal box DF Gravity 2017 | 1 |
| | 47006 | ProfiClear Premium DF-L gravity-fed OC [GB] | | | |
| 66 | 47005 | ProfiClear Premium DF-L gravity-fed OC [INT] | 29763 | Adaptor signal box <2013-controller new | 1 |
| | 47006 | ProfiClear Premium DF-L gravity-fed OC [GB] | | | |
| 67 | 47005 | ProfiClear Premium DF-L gravity-fed OC [INT] | 29776 | Adaptor controller <2013-signal box new | 1 |
| | 47006 | ProfiClear Premium DF-L gravity-fed OC [GB] | | | |
| 68 | 47005 | ProfiClear Premium DF-L gravity-fed OC [INT] | 49035 | Spare cleaning tube bracket PCP 2017 | 1 |
| | 47006 | ProfiClear Premium DF-L gravity-fed OC [GB] | | | |
| 69 | 47005 | ProfiClear Premium DF-L gravity-fed OC [INT] | 42872 | ASM tube float switch gravity drum filt. | 1 |
| | 47006 | ProfiClear Premium DF-L gravity-fed OC [GB] | | | |
| 70 | 47005 | ProfiClear Premium DF-L gravity-fed OC [INT] | 49847 | Cover cap nut M6 | 1 |
| | 47006 | ProfiClear Premium DF-L gravity-fed OC [GB] | | | |

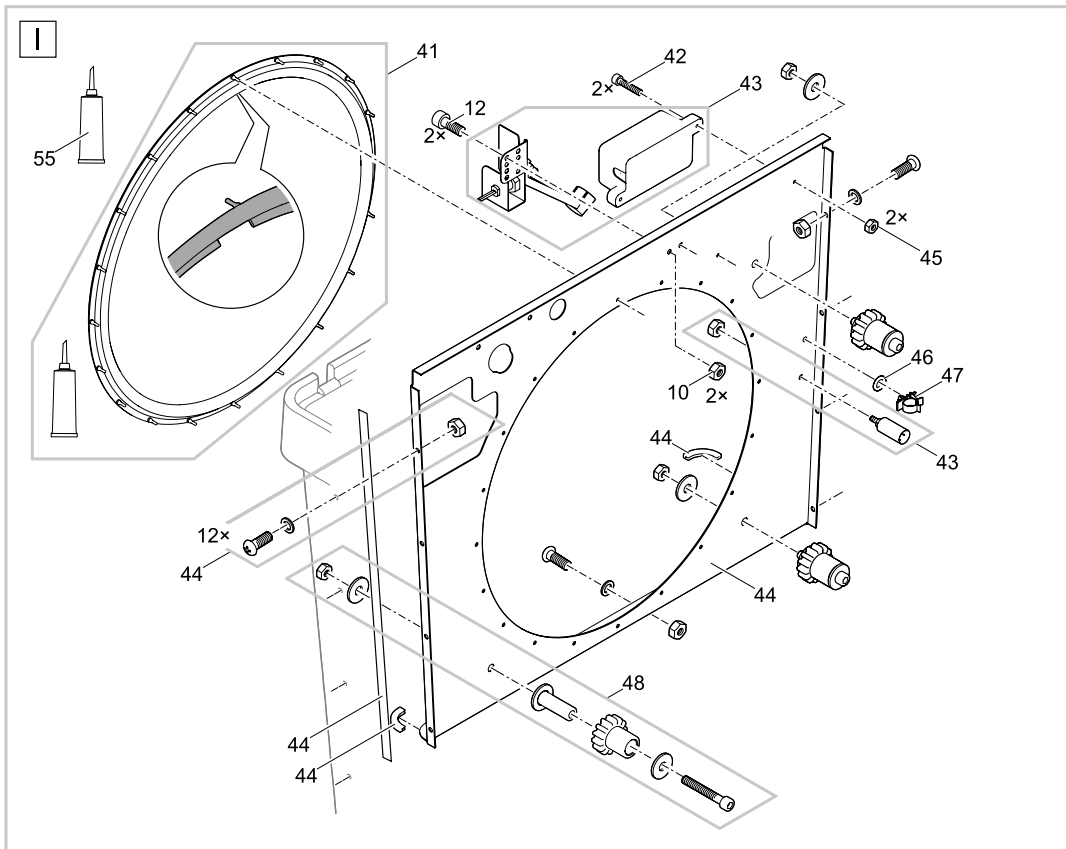
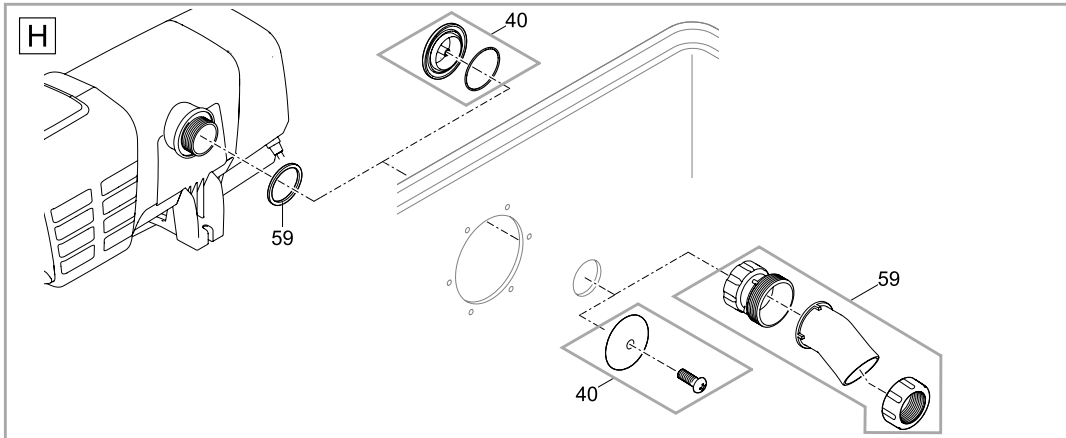
| Item no. | Product |
|----------|--|
| 50773 | ProfiClear Premium drum filter pump-fed |
| 50774 | GB ProfiClear Premium drum filter pump-fed |









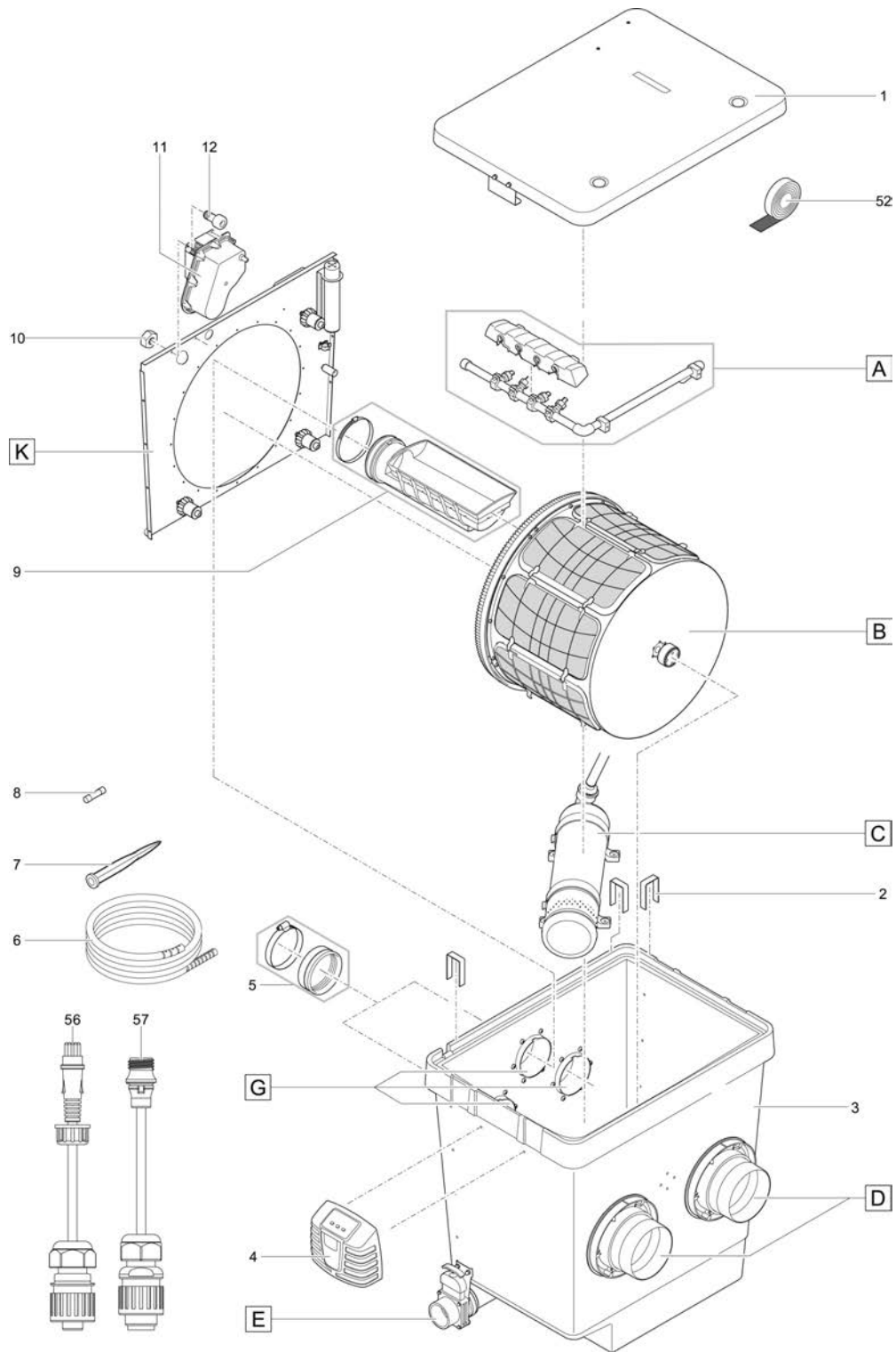


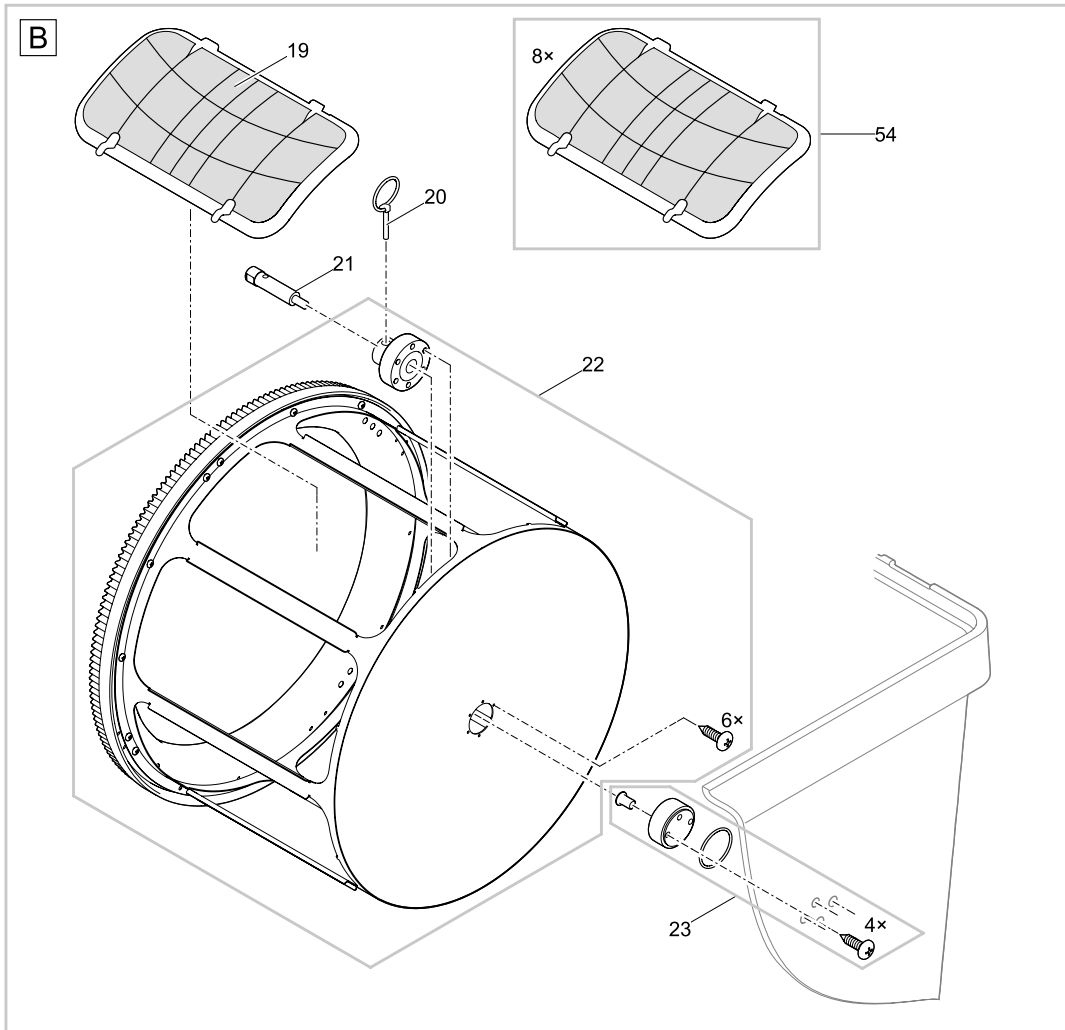
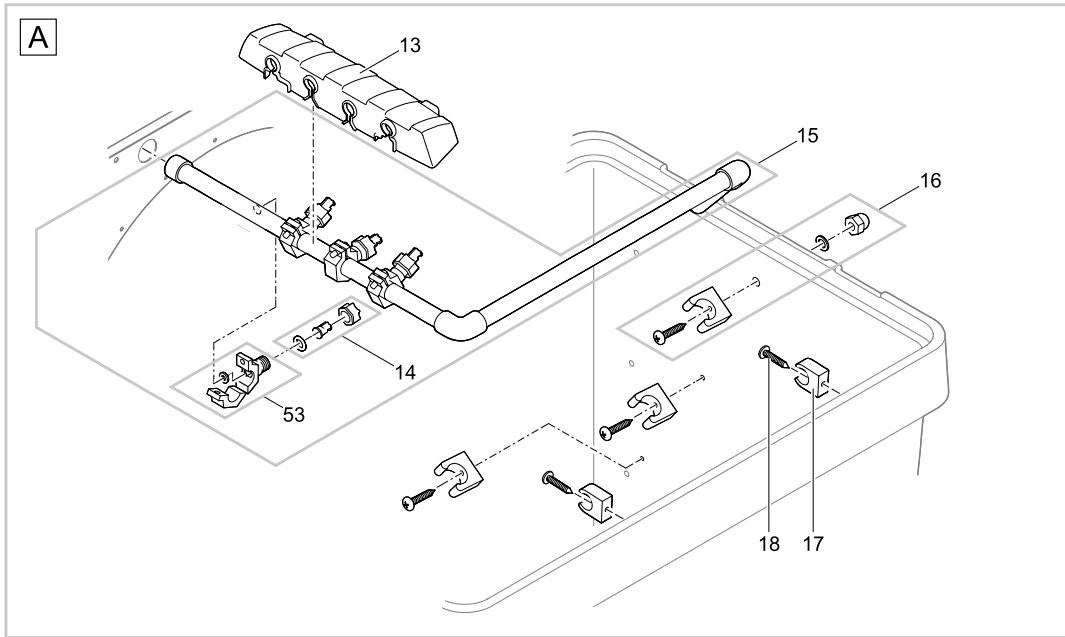
| Pos. | Item no. Product | Product | Item no. Spare part | Spare part | Number |
|------|---------------------|---|------------------------|--|--------|
| 1 | 50773 | ProfiClear Premium drum filter pump-fed [INT] | 18795 | Spare part lid cpl. drum filter | 1 |
| | 50774 | ProfiClear Premium drum filter pump-fed [GB] | | | |
| 2 | 50773 | ProfiClear Premium drum filter pump-fed [INT] | 18842 | Clip drum filter | 2 |
| | 50774 | ProfiClear Premium drum filter pump-fed [GB] | | | |
| 4 | 50773 | ProfiClear Premium drum filter pump-fed [INT] | 93818 | Spare controller drum filter M/L | 1 |
| | 50774 | ProfiClear Premium drum filter pump-fed [GB] | | | |
| 6 | 50773 | ProfiClear Premium drum filter pump-fed [INT] | 90119 | Spare cable protection 5.0 m | 1 |
| | 50774 | ProfiClear Premium drum filter pump-fed [GB] | | | |
| 7 | 50773 | ProfiClear Premium drum filter pump-fed [INT] | 20284 | Spike | 2 |
| | 50774 | ProfiClear Premium drum filter pump-fed [GB] | | | |
| 8 | 50773 | ProfiClear Premium drum filter pump-fed [INT] | 18692 | Fuse T8A 250 V | 1 |
| | 50774 | ProfiClear Premium drum filter pump-fed [GB] | | | |
| 9 | 50773 | ProfiClear Premium drum filter pump-fed [INT] | 17872 | ASM waste channel | 1 |
| | 50774 | ProfiClear Premium drum filter pump-fed [GB] | | | |
| 10 | 50773 | ProfiClear Premium drum filter pump-fed [INT] | 6128 | Lock nut V2A DIN 985 M6 | 16 |
| | 50774 | ProfiClear Premium drum filter pump-fed [GB] | | | |
| 11 | 50773 | ProfiClear Premium drum filter pump-fed [INT] | 71771 | Spare ASM drum motor | 1 |
| | 50774 | ProfiClear Premium drum filter pump-fed [GB] | | | |
| 12 | 50773 | ProfiClear Premium drum filter pump-fed [INT] | 5948 | Cylinder screw V2A DIN 912 6 x 12 | 1 |
| | 50774 | ProfiClear Premium drum filter pump-fed [GB] | | | |
| 13 | 50773 | ProfiClear Premium drum filter pump-fed [INT] | 16747 | Cover cleaning tube | 1 |
| | 50774 | ProfiClear Premium drum filter pump-fed [GB] | | | |
| 14 | 50773 | ProfiClear Premium drum filter pump-fed [INT] | 18797 | Spare nozzle ProfiClear Premium | 1 |
| | 50774 | ProfiClear Premium drum filter pump-fed [GB] | | | |
| 15 | 50773 | ProfiClear Premium drum filter pump-fed [INT] | 16565 | ASM cleaning tube drum filter | 1 |
| | 50774 | ProfiClear Premium drum filter pump-fed [GB] | | | |
| 16 | 50773 | ProfiClear Premium drum filter pump-fed [INT] | 18790 | Spare hose bracket ProfiClear Premium | 1 |
| | 50774 | ProfiClear Premium drum filter pump-fed [GB] | | | |
| 17 | 50773 | ProfiClear Premium drum filter pump-fed [INT] | 17349 | Pipe clip type A, D20 mm | 2 |
| | 50774 | ProfiClear Premium drum filter pump-fed [GB] | | | |
| 18 | 50773 | ProfiClear Premium drum filter pump-fed [INT] | 25000 | Oval head screw CH-V2A DIN 7981 4,8 x 22 | 20 |
| | 50774 | ProfiClear Premium drum filter pump-fed [GB] | | | |
| 19 | 50773 | ProfiClear Premium drum filter pump-fed [INT] | 19004 | ASM sieve frame 150 µm | 8 |
| | 50774 | ProfiClear Premium drum filter pump-fed [GB] | | | |
| 20 | 50773 | ProfiClear Premium drum filter pump-fed [INT] | 19515 | Locking pin V2A DIN 11023 - 6 mm | 1 |
| | 50774 | ProfiClear Premium drum filter pump-fed [GB] | | | |
| 21 | 50773 | ProfiClear Premium drum filter pump-fed [INT] | 16288 | Drum shaft | 1 |
| | 50774 | ProfiClear Premium drum filter pump-fed [GB] | | | |
| 22 | 50773 | ProfiClear Premium drum filter pump-fed [INT] | 18796 | Spare drum ProfiClear Premium | 1 |
| | 50774 | ProfiClear Premium drum filter pump-fed [GB] | | | |
| 23 | 50773 | ProfiClear Premium drum filter pump-fed [INT] | 18791 | Spare drum bearing drum filter | 1 |
| | 50774 | ProfiClear Premium drum filter pump-fed [GB] | | | |
| 24 | 50773 | ProfiClear Premium drum filter pump-fed [INT] | 18793 | Spare connector rinse pump ProfiClear | 1 |
| | 50774 | ProfiClear Premium drum filter pump-fed [GB] | | | |
| 25 | 50773 | ProfiClear Premium drum filter pump-fed [INT] | 16566 | Rinse pump 6 bar - 6.35 m cable | 1 |
| | 50774 | ProfiClear Premium drum filter pump-fed [GB] | | | |
| 26 | 50773 | ProfiClear Premium drum filter pump-fed [INT] | 17043 | Fastening kit rinse pump | 2 |
| | 50774 | ProfiClear Premium drum filter pump-fed [GB] | | | |

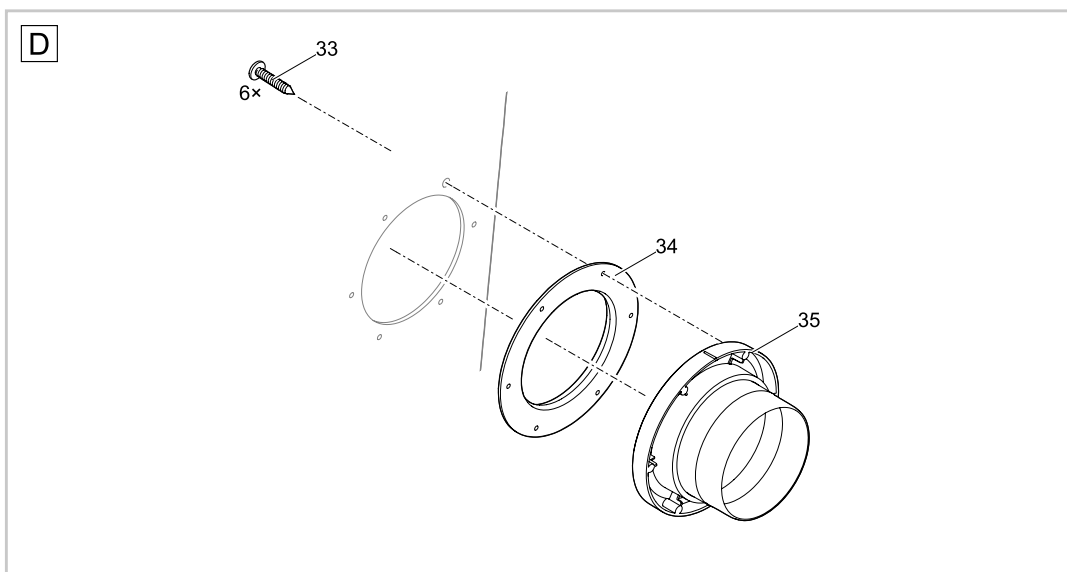
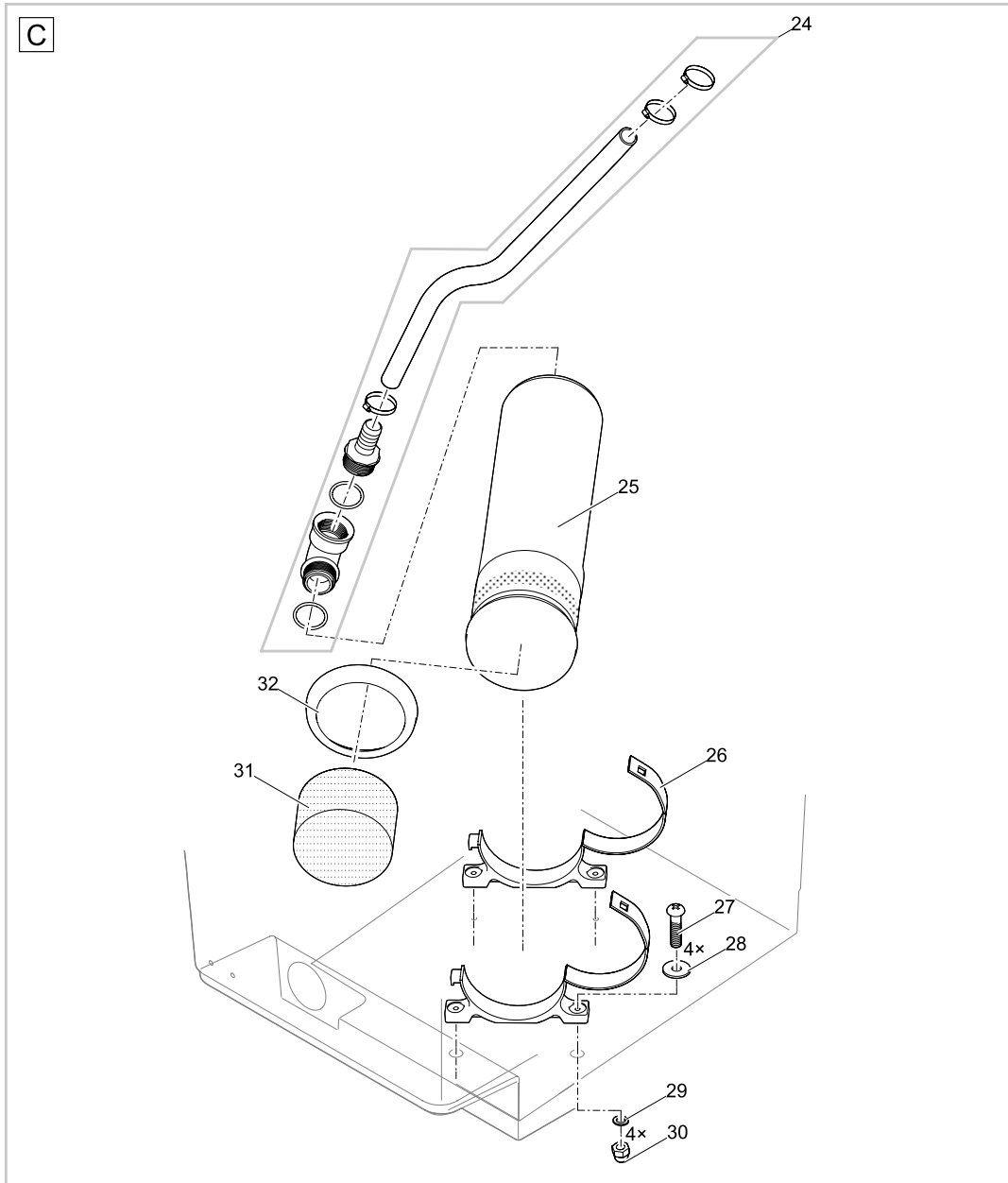
| Pos. | Item no. Product | Product | Item no. Spare part | Spare part | Number |
|------|---------------------|---|------------------------|--|--------|
| 27 | 50773 | ProfiClear Premium drum filter pump-fed [INT] | 17918 | Oval head screw V2A DIN 7985 M6 x 25 | 6 |
| | 50774 | ProfiClear Premium drum filter pump-fed [GB] | | | |
| 28 | 50773 | ProfiClear Premium drum filter pump-fed [INT] | 6143 | Washer VA DIN 9021 6.4 | 4 |
| | 50774 | ProfiClear Premium drum filter pump-fed [GB] | | | |
| 29 | 50773 | ProfiClear Premium drum filter pump-fed [INT] | 20609 | Fiberplate DIN 7603 6 x 12 x 1 mm | 26 |
| | 50774 | ProfiClear Premium drum filter pump-fed [GB] | | | |
| 30 | 50773 | ProfiClear Premium drum filter pump-fed [INT] | 6117 | Cap nut V2A DIN 1587 M6 | 16 |
| | 50774 | ProfiClear Premium drum filter pump-fed [GB] | | | |
| 31 | 50773 | ProfiClear Premium drum filter pump-fed [INT] | 18943 | Pre-filter rinse pump | 1 |
| | 50774 | ProfiClear Premium drum filter pump-fed [GB] | | | |
| 32 | 50773 | ProfiClear Premium drum filter pump-fed [INT] | 16750 | Rubber ring pump | 1 |
| | 50774 | ProfiClear Premium drum filter pump-fed [GB] | | | |
| 33 | 50773 | ProfiClear Premium drum filter pump-fed [INT] | 27572 | Oval head screw CZ-V2A DIN 7981 6.3 x 32 | 18 |
| | 50774 | ProfiClear Premium drum filter pump-fed [GB] | | | |
| 34 | 50773 | ProfiClear Premium drum filter pump-fed [INT] | 26957 | Gasket 150 screwed | 2 |
| | 50774 | ProfiClear Premium drum filter pump-fed [GB] | | | |
| 35 | 50773 | ProfiClear Premium drum filter pump-fed [INT] | 26958 | Outlet 150/1 ProfiClear M 2 - M 5 | 2 |
| | 50774 | ProfiClear Premium drum filter pump-fed [GB] | | | |
| 36 | 50773 | ProfiClear Premium drum filter pump-fed [INT] | 18446 | Spare drain DN75 Premium | 1 |
| | 50774 | ProfiClear Premium drum filter pump-fed [GB] | | | |
| 37 | 50773 | ProfiClear Premium drum filter pump-fed [INT] | 18448 | spare screw set drain DN75 Premium | 1 |
| | 50774 | ProfiClear Premium drum filter pump-fed [GB] | | | |
| 38 | 50773 | ProfiClear Premium drum filter pump-fed [INT] | 18798 | Spare grommet drum filter pump-fed | 1 |
| | 50774 | ProfiClear Premium drum filter pump-fed [GB] | | | |
| 39 | 50773 | ProfiClear Premium drum filter pump-fed [INT] | 19005 | ASM connection set DN 110 | 1 |
| | 50774 | ProfiClear Premium drum filter pump-fed [GB] | | | |
| 40 | 50773 | ProfiClear Premium drum filter pump-fed [INT] | 35570 | Replacement Plug | 1 |
| | 50774 | ProfiClear Premium drum filter pump-fed [GB] | | | |
| 41 | 50773 | ProfiClear Premium drum filter pump-fed [INT] | 23192 | Spare drum gasket | 1 |
| | 50774 | ProfiClear Premium drum filter pump-fed [GB] | | | |
| 42 | 50773 | ProfiClear Premium drum filter pump-fed [INT] | 20320 | Cylinder screw V2A DIN 912 M4 x 20 | 2 |
| | 50774 | ProfiClear Premium drum filter pump-fed [GB] | | | |
| 43 | 50773 | ProfiClear Premium drum filter pump-fed [INT] | 28989 | Spare signal box pump-fed | 1 |
| | 50774 | ProfiClear Premium drum filter pump-fed [GB] | | | |
| 44 | 50773 | ProfiClear Premium drum filter pump-fed [INT] | 18792 | Spare seperating wall ProfiClear pumped | 1 |
| | 50774 | ProfiClear Premium drum filter pump-fed [GB] | | | |
| 45 | 50773 | ProfiClear Premium drum filter pump-fed [INT] | 11113 | Safety nut V2A DIN 985 M4 | 2 |
| | 50774 | ProfiClear Premium drum filter pump-fed [GB] | | | |
| 46 | 50773 | ProfiClear Premium drum filter pump-fed [INT] | 19023 | O-Ring EPDM 6 x 1.5 SH70 A | 1 |
| | 50774 | ProfiClear Premium drum filter pump-fed [GB] | | | |
| 47 | 50773 | ProfiClear Premium drum filter pump-fed [INT] | 19402 | Cable holder drum filter | 1 |
| | 50774 | ProfiClear Premium drum filter pump-fed [GB] | | | |
| 48 | 50773 | ProfiClear Premium drum filter pump-fed [INT] | 18794 | Spare plain roller drum filter | 1 |
| | 50774 | ProfiClear Premium drum filter pump-fed [GB] | | | |
| 52 | 50773 | ProfiClear Premium drum filter pump-fed [INT] | 21981 | Spare cover gasket seal drum filter | 1 |
| | 50774 | ProfiClear Premium drum filter pump-fed [GB] | | | |
| 53 | 50773 | ProfiClear Premium drum filter pump-fed [INT] | 19001 | Eyelet connectors 090.003.51 | 1 |
| | 50774 | ProfiClear Premium drum filter pump-fed [GB] | | | |

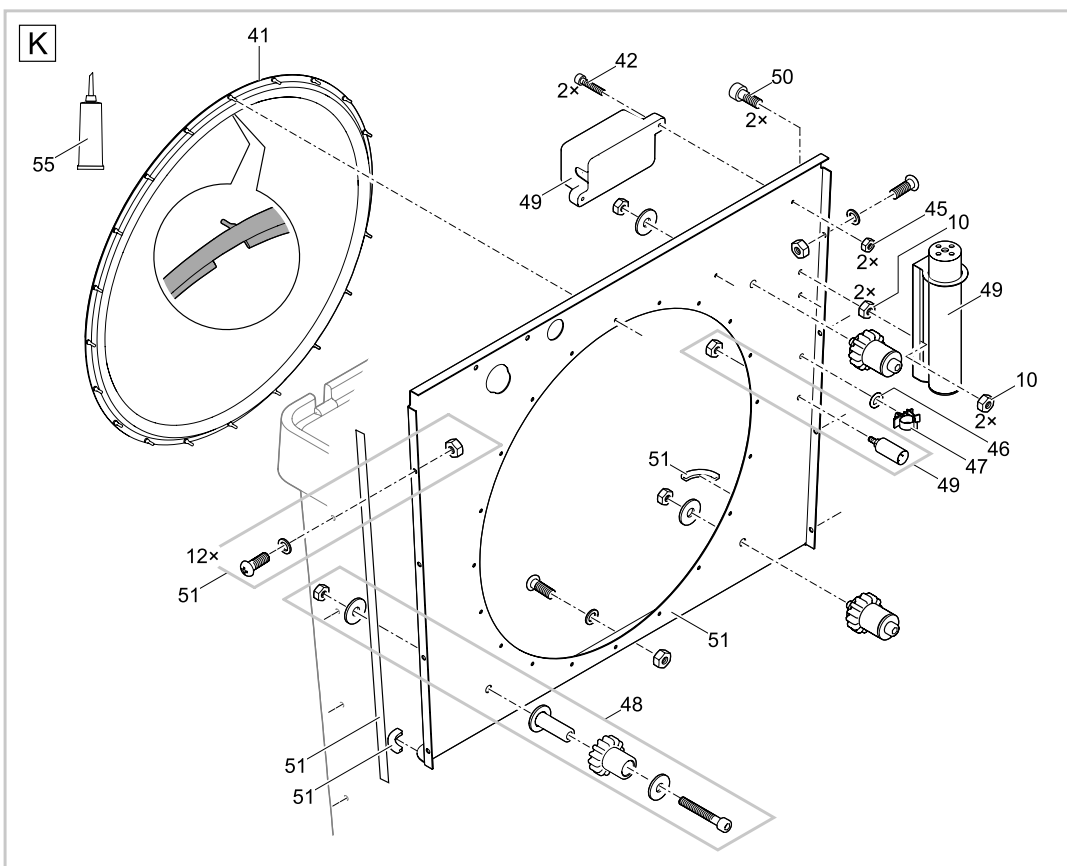
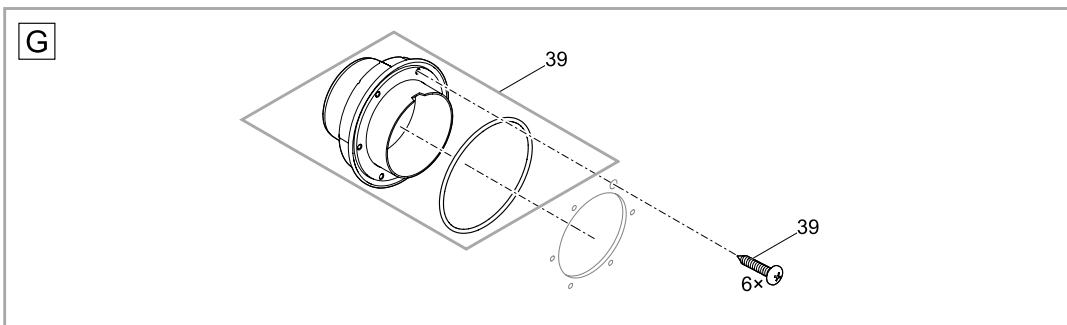
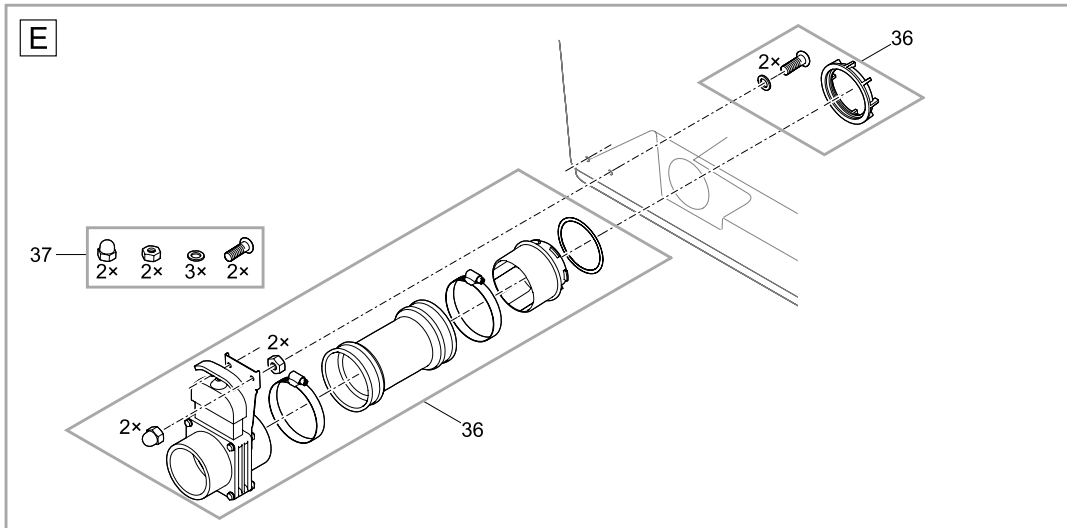
| Pos. | Item no. Product | Product | Item no. Spare part | Spare part | Number |
|------|---------------------|---|------------------------|--|--------|
| 54 | 50773 | ProfiClear Premium drum filter pump-fed [INT] | 25376 | Spare ProfiClear Premium repl. sieve 60µ | 1 |
| | 50774 | ProfiClear Premium drum filter pump-fed [GB] | | | |
| 55 | 50773 | ProfiClear Premium drum filter pump-fed [INT] | 27872 | Turmsilon GTI 300 GK tube 10 ml | 1 |
| | 50774 | ProfiClear Premium drum filter pump-fed [GB] | | | |
| 56 | 50773 | ProfiClear Premium drum filter pump-fed [INT] | 20292 | Oval head screw V2A DIN 7985 M6 x 12 | 5 |
| | 50774 | ProfiClear Premium drum filter pump-fed [GB] | | | |
| 59 | 50773 | ProfiClear Premium drum filter pump-fed [INT] | 22746 | Add. pack drum filter pump-fed II | 1 |
| | 50774 | ProfiClear Premium drum filter pump-fed [GB] | | | |
| 60 | 50773 | ProfiClear Premium drum filter pump-fed [INT] | 29776 | Adaptor controller <2013-signal box new | 1 |
| | 50774 | ProfiClear Premium drum filter pump-fed [GB] | | | |
| 61 | 50773 | ProfiClear Premium drum filter pump-fed [INT] | 29763 | Adaptor signal box <2013-controller new | 1 |
| | 50774 | ProfiClear Premium drum filter pump-fed [GB] | | | |

| Item no. | Product |
|----------|---|
| 56774 | ProfiClear Premium drum filter gravity |
| 56775 | GB ProfiClear Premium drum filter gravity |







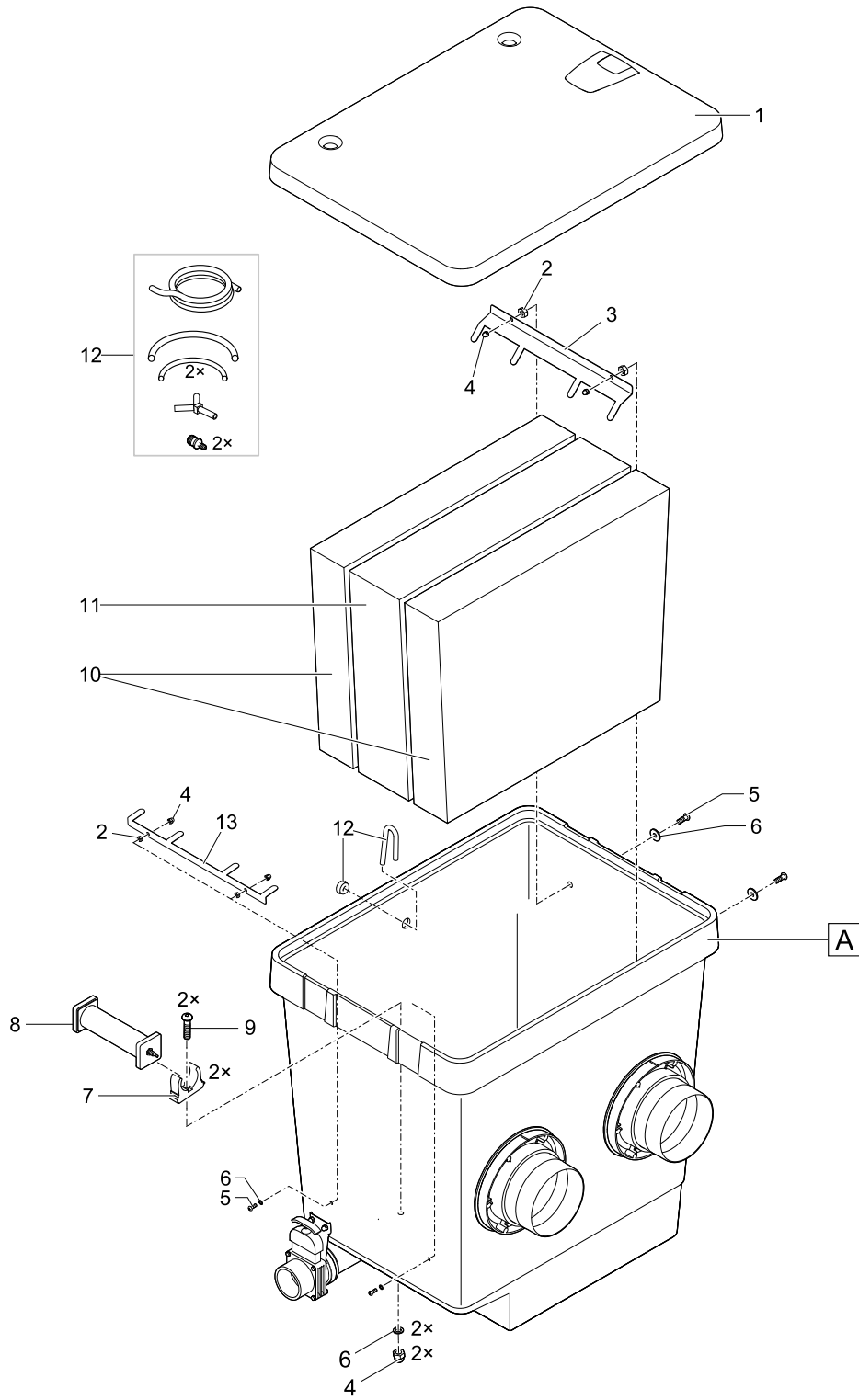


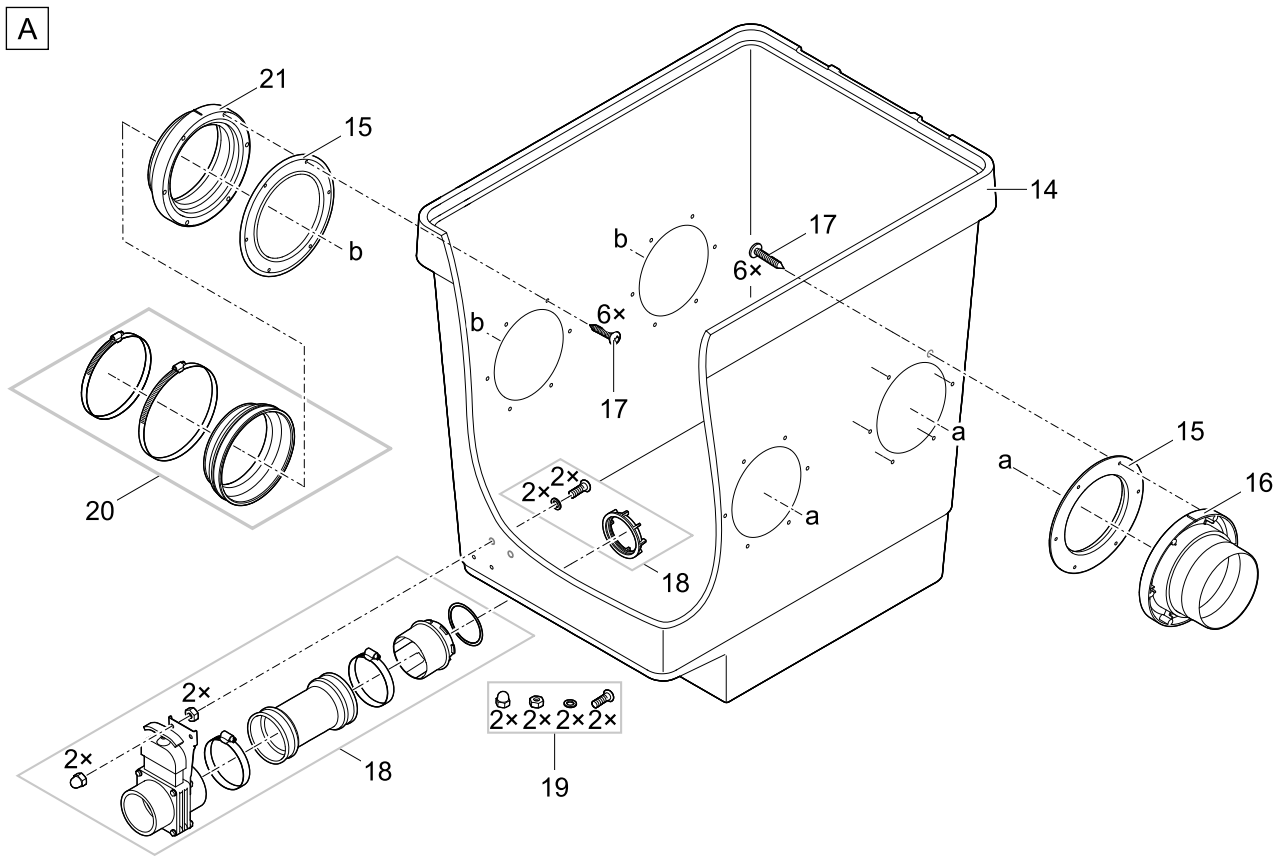
| Pos. | Item no. Product | Product | Item no. Spare part | Spare part | Number |
|------|---------------------|--|------------------------|--|--------|
| 1 | 56774 | ProfiClear Premium drum filter gravity [INT] | 18795 | Spare part lid cpl. drum filter | 1 |
| | 56775 | ProfiClear Premium drum filter gravity [GB] | | | |
| 2 | 56774 | ProfiClear Premium drum filter gravity [INT] | 18842 | Clip drum filter | 3 |
| | 56775 | ProfiClear Premium drum filter gravity [GB] | | | |
| 3 | 56774 | ProfiClear Premium drum filter gravity [INT] | 22106 | Container drum fil. gravitation 4xDN110 | 1 |
| 4 | 56774 | ProfiClear Premium drum filter gravity [INT] | 93818 | Spare controller drum filter M/L | 1 |
| | 56775 | ProfiClear Premium drum filter gravity [GB] | | | |
| 5 | 56774 | ProfiClear Premium drum filter gravity [INT] | 16387 | Blanking cap DN 110 | 3 |
| | 56775 | ProfiClear Premium drum filter gravity [GB] | | | |
| 6 | 56774 | ProfiClear Premium drum filter gravity [INT] | 90119 | Spare cable protection 5.0 m | 1 |
| | 56775 | ProfiClear Premium drum filter gravity [GB] | | | |
| 7 | 56774 | ProfiClear Premium drum filter gravity [INT] | 20284 | Spike | 2 |
| | 56775 | ProfiClear Premium drum filter gravity [GB] | | | |
| 8 | 56774 | ProfiClear Premium drum filter gravity [INT] | 18692 | Fuse T8A 250 V | 1 |
| | 56775 | ProfiClear Premium drum filter gravity [GB] | | | |
| 9 | 56774 | ProfiClear Premium drum filter gravity [INT] | 17872 | ASM waste channel | 1 |
| | 56775 | ProfiClear Premium drum filter gravity [GB] | | | |
| 10 | 56774 | ProfiClear Premium drum filter gravity [INT] | 6128 | Lock nut V2A DIN 985 M6 | 18 |
| | 56775 | ProfiClear Premium drum filter gravity [GB] | | | |
| 11 | 56774 | ProfiClear Premium drum filter gravity [INT] | 71771 | Spare ASM drum motor | 1 |
| | 56775 | ProfiClear Premium drum filter gravity [GB] | | | |
| 12 | 56774 | ProfiClear Premium drum filter gravity [INT] | 5948 | Cylinder screw V2A DIN 912 6 x 12 | 2 |
| | 56775 | ProfiClear Premium drum filter gravity [GB] | | | |
| 13 | 56774 | ProfiClear Premium drum filter gravity [INT] | 16747 | Cover cleaning tube | 1 |
| | 56775 | ProfiClear Premium drum filter gravity [GB] | | | |
| 14 | 56774 | ProfiClear Premium drum filter gravity [INT] | 18797 | Spare nozzle ProfiClear Premium | 1 |
| | 56775 | ProfiClear Premium drum filter gravity [GB] | | | |
| 15 | 56774 | ProfiClear Premium drum filter gravity [INT] | 16565 | ASM cleaning tube drum filter | 1 |
| | 56775 | ProfiClear Premium drum filter gravity [GB] | | | |
| 16 | 56774 | ProfiClear Premium drum filter gravity [INT] | 18790 | Spare hose bracket ProfiClear Premium | 1 |
| | 56775 | ProfiClear Premium drum filter gravity [GB] | | | |
| 17 | 56774 | ProfiClear Premium drum filter gravity [INT] | 17349 | Pipe clip type A, D20 mm | 2 |
| | 56775 | ProfiClear Premium drum filter gravity [GB] | | | |
| 18 | 56774 | ProfiClear Premium drum filter gravity [INT] | 25000 | Oval head screw CH-V2A DIN 7981 4.8 x 22 | 18 |
| | 56775 | ProfiClear Premium drum filter gravity [GB] | | | |
| 19 | 56774 | ProfiClear Premium drum filter gravity [INT] | 19004 | ASM sieve frame 150 µm | 8 |
| | 56775 | ProfiClear Premium drum filter gravity [GB] | | | |
| 20 | 56774 | ProfiClear Premium drum filter gravity [INT] | 19515 | Locking pin V2A DIN 11023 - 6 mm | 1 |
| | 56775 | ProfiClear Premium drum filter gravity [GB] | | | |
| 21 | 56774 | ProfiClear Premium drum filter gravity [INT] | 16288 | Drum shaft | 1 |
| | 56775 | ProfiClear Premium drum filter gravity [GB] | | | |
| 22 | 56774 | ProfiClear Premium drum filter gravity [INT] | 18796 | Spare drum ProfiClear Premium | 1 |
| | 56775 | ProfiClear Premium drum filter gravity [GB] | | | |
| 23 | 56774 | ProfiClear Premium drum filter gravity [INT] | 18791 | Spare drum bearing drum filter | 1 |
| | 56775 | ProfiClear Premium drum filter gravity [GB] | | | |
| 24 | 56774 | ProfiClear Premium drum filter gravity [INT] | 18793 | Spare connector rinse pump ProfiClear | 1 |
| | 56775 | ProfiClear Premium drum filter gravity [GB] | | | |
| 25 | 56774 | ProfiClear Premium drum filter gravity [INT] | 16566 | Rinse pump 6 bar - 6.35 m cable | 1 |
| | 56775 | ProfiClear Premium drum filter gravity [GB] | | | |

| Pos. | Item no. Product | Product | Item no. Spare part | Spare part | Number |
|------|---------------------|--|------------------------|--|--------|
| 26 | 56774 | ProfiClear Premium drum filter gravity [INT] | 17043 | Fastening kit rinse pump | 2 |
| | 56775 | ProfiClear Premium drum filter gravity [GB] | | | |
| 27 | 56774 | ProfiClear Premium drum filter gravity [INT] | 17918 | Oval head screw V2A DIN 7985 M6 x 25 | 6 |
| | 56775 | ProfiClear Premium drum filter gravity [GB] | | | |
| 28 | 56774 | ProfiClear Premium drum filter gravity [INT] | 6143 | Washer VA DIN 9021 6.4 | 4 |
| | 56775 | ProfiClear Premium drum filter gravity [GB] | | | |
| 29 | 56774 | ProfiClear Premium drum filter gravity [INT] | 20609 | Fiberplate DIN 7603 6 x 12 x 1 mm | 23 |
| | 56775 | ProfiClear Premium drum filter gravity [GB] | | | |
| 30 | 56774 | ProfiClear Premium drum filter gravity [INT] | 6117 | Cap nut V2A DIN 1587 M6 | 13 |
| | 56775 | ProfiClear Premium drum filter gravity [GB] | | | |
| 31 | 56774 | ProfiClear Premium drum filter gravity [INT] | 18943 | Pre-filter rinse pump | 1 |
| | 56775 | ProfiClear Premium drum filter gravity [GB] | | | |
| 32 | 56774 | ProfiClear Premium drum filter gravity [INT] | 16750 | Rubber ring pump | 1 |
| | 56775 | ProfiClear Premium drum filter gravity [GB] | | | |
| 33 | 56774 | ProfiClear Premium drum filter gravity [INT] | 27572 | Oval head screw CZ-V2A DIN 7981 6.3 x 32 | 42 |
| | 56775 | ProfiClear Premium drum filter gravity [GB] | | | |
| 34 | 56774 | ProfiClear Premium drum filter gravity [INT] | 43756 | Gasket mesh tube 2016 | 2 |
| | 56775 | ProfiClear Premium drum filter gravity [GB] | | | |
| 35 | 56774 | ProfiClear Premium drum filter gravity [INT] | 26958 | Outlet 150/1 ProfiClear M 2 - M 5 | 2 |
| | 56775 | ProfiClear Premium drum filter gravity [GB] | | | |
| 36 | 56774 | ProfiClear Premium drum filter gravity [INT] | 18446 | Spare drain DN75 Premium | 1 |
| | 56775 | ProfiClear Premium drum filter gravity [GB] | | | |
| 37 | 56774 | ProfiClear Premium drum filter gravity [INT] | 18448 | spare screw set drain DN75 Premium | 1 |
| | 56775 | ProfiClear Premium drum filter gravity [GB] | | | |
| 39 | 56774 | ProfiClear Premium drum filter gravity [INT] | 19005 | ASM connection set DN 110 | 1 |
| | 56775 | ProfiClear Premium drum filter gravity [GB] | | | |
| 41 | 56774 | ProfiClear Premium drum filter gravity [INT] | 23192 | Spare drum gasket | 1 |
| | 56775 | ProfiClear Premium drum filter gravity [GB] | | | |
| 42 | 56774 | ProfiClear Premium drum filter gravity [INT] | 20320 | Cylinder screw V2A DIN 912 M4 x 20 | 2 |
| | 56775 | ProfiClear Premium drum filter gravity [GB] | | | |
| 45 | 56774 | ProfiClear Premium drum filter gravity [INT] | 11113 | Safety nut V2A DIN 985 M4 | 2 |
| | 56775 | ProfiClear Premium drum filter gravity [GB] | | | |
| 46 | 56774 | ProfiClear Premium drum filter gravity [INT] | 19023 | O-Ring EPDM 6 x 1.5 SH70 A | 1 |
| | 56775 | ProfiClear Premium drum filter gravity [GB] | | | |
| 47 | 56774 | ProfiClear Premium drum filter gravity [INT] | 19402 | Cable holder drum filter | 1 |
| | 56775 | ProfiClear Premium drum filter gravity [GB] | | | |
| 48 | 56774 | ProfiClear Premium drum filter gravity [INT] | 18794 | Spare plain roller drum filter | 1 |
| | 56775 | ProfiClear Premium drum filter gravity [GB] | | | |
| 49 | 56774 | ProfiClear Premium drum filter gravity [INT] | 28996 | Spare signal box gravity | 1 |
| | 56775 | ProfiClear Premium drum filter gravity [GB] | | | |
| 50 | 56774 | ProfiClear Premium drum filter gravity [INT] | 5949 | Cylinder screw V2A DIN 912 6 x 16 | 1 |
| | 56775 | ProfiClear Premium drum filter gravity [GB] | | | |
| 51 | 56774 | ProfiClear Premium drum filter gravity [INT] | 18799 | Spare seperating wall ProfiClear Gravit. | 1 |
| | 56775 | ProfiClear Premium drum filter gravity [GB] | | | |
| 52 | 56774 | ProfiClear Premium drum filter gravity [INT] | 21981 | Spare cover gasket seal drum filter | 1 |
| | 56775 | ProfiClear Premium drum filter gravity [GB] | | | |
| 53 | 56774 | ProfiClear Premium drum filter gravity [INT] | 19001 | Eyelet connectors 090.003.51 | 1 |
| | 56775 | ProfiClear Premium drum filter gravity [GB] | | | |

| Pos. | Item no. Product | Product | Item no. Spare part | Spare part | Number |
|------|---------------------|--|------------------------|--|--------|
| 54 | 56774 | ProfiClear Premium drum filter gravity [INT] | 25376 | Spare ProfiClear Premium repl. sieve 60µ | 1 |
| | 56775 | ProfiClear Premium drum filter gravity [GB] | | | |
| 55 | 56774 | ProfiClear Premium drum filter gravity [INT] | 27872 | Turmsilon GTI 300 GK tube 10 ml | 1 |
| | 56775 | ProfiClear Premium drum filter gravity [GB] | | | |
| 56 | 56774 | ProfiClear Premium drum filter gravity [INT] | 29776 | Adaptor controller <2013-signal box new | 1 |
| | 56775 | ProfiClear Premium drum filter gravity [GB] | | | |
| 57 | 56774 | ProfiClear Premium drum filter gravity [INT] | 29763 | Adaptor signal box <2013-controller new | 1 |
| | 56775 | ProfiClear Premium drum filter gravity [GB] | | | |

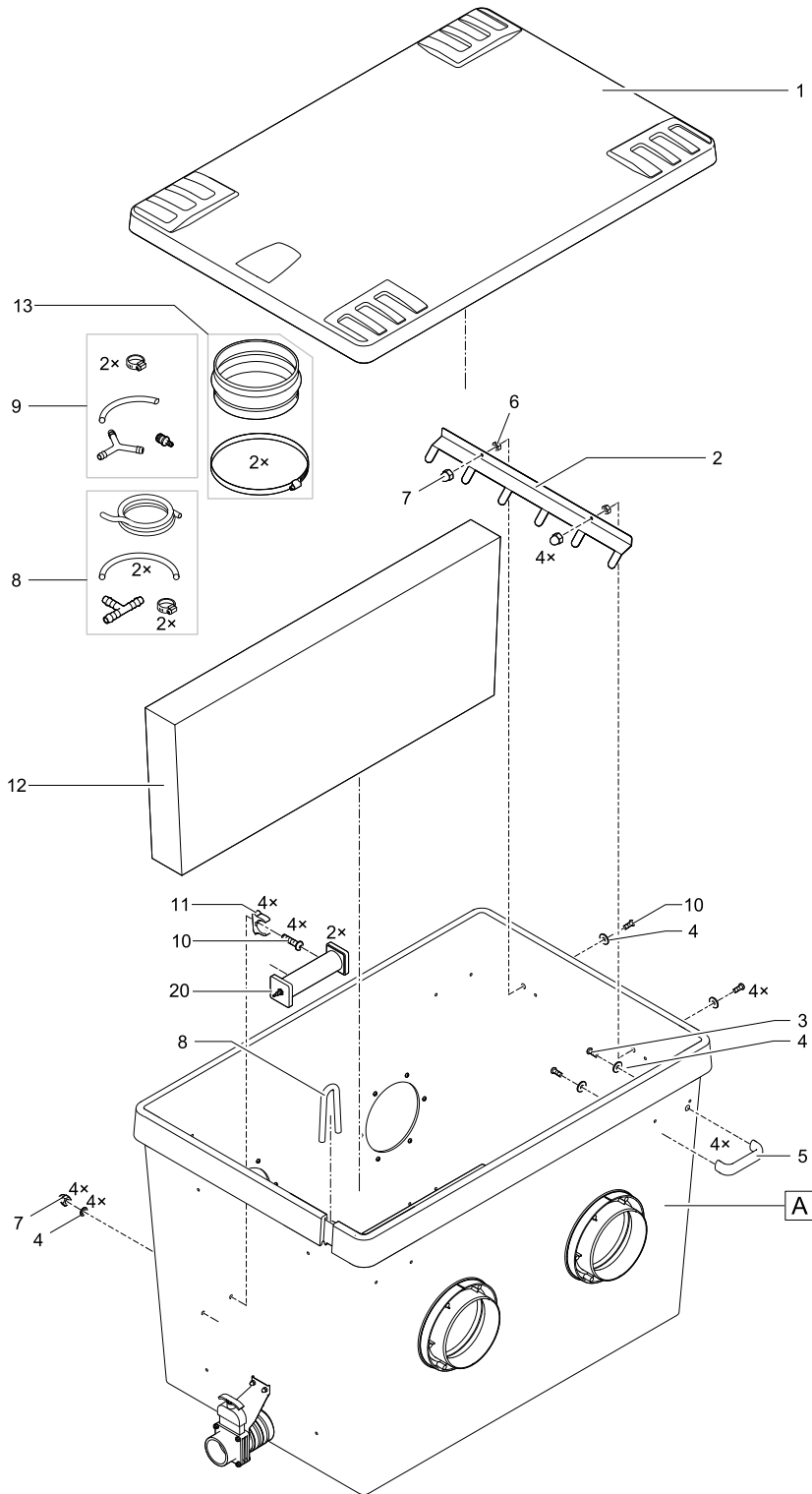
| Item no. | Product |
|----------|--|
| 87164 | ProfiClear Premium Standing Bed Module L |

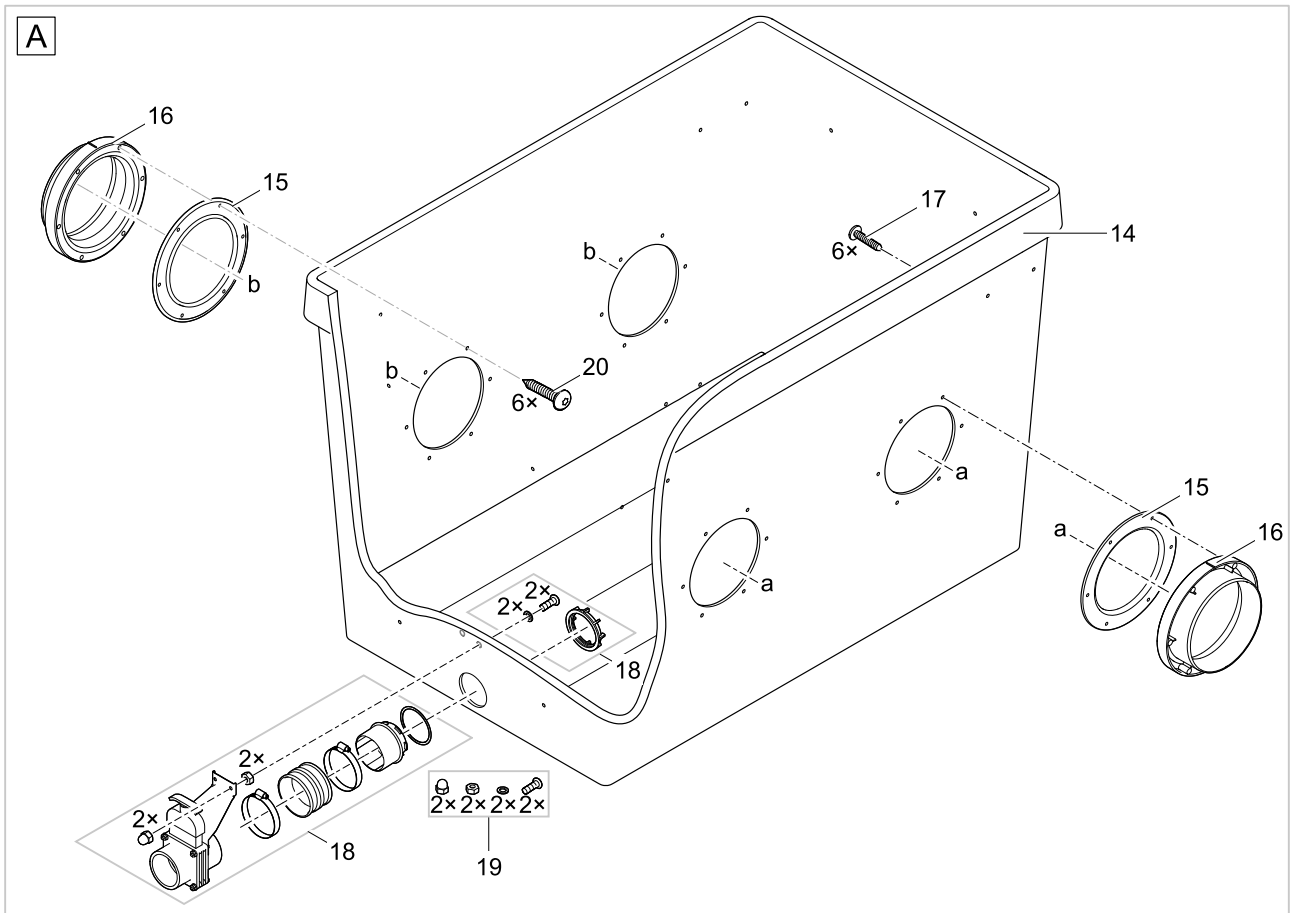




| Pos. | Item no. Product | Product | Item no. Spare part | Spare part | Number |
|------|------------------|--|---------------------|--|--------|
| 1 | 87164 | ProfiClear Premium Standing Bed Module L [INT] | 72780 | ASM lid container M / L | 1 |
| 2 | 87164 | ProfiClear Premium Standing Bed Module L [INT] | 6128 | Lock nut V2A DIN 985 M6 | 1 |
| 3 | 87164 | ProfiClear Premium Standing Bed Module L [INT] | 74547 | Holder Clear Wave L | 1 |
| 4 | 87164 | ProfiClear Premium Standing Bed Module L [INT] | 84945 | Cap nut V4A DIN 1587 M6 | 1 |
| 5 | 87164 | ProfiClear Premium Standing Bed Module L [INT] | 77263 | Screw Torx V2A ISO14583 M6x20 Gleitmo615 | 1 |
| 6 | 87164 | ProfiClear Premium Standing Bed Module L [INT] | 20609 | Fiberplate DIN 7603 6 x 12 x 1 mm | 1 |
| 7 | 87164 | ProfiClear Premium Standing Bed Module L [INT] | 17216 | Airstone clamp bio filter | 1 |
| 8 | 87164 | ProfiClear Premium Standing Bed Module L [INT] | 22079 | Air stone 50 mm blue | 1 |
| 9 | 87164 | ProfiClear Premium Standing Bed Module L [INT] | 77261 | Screw Torx V2A ISO14583 M6x25 Gleitmo615 | 1 |
| 10 | 87164 | ProfiClear Premium Standing Bed Module L [INT] | 74543 | Clear Wave L 100 | 1 |
| 11 | 87164 | ProfiClear Premium Standing Bed Module L [INT] | 74544 | Clear Wave L 150 | 1 |
| 12 | 87164 | ProfiClear Premium Standing Bed Module L [INT] | 74549 | Spare air connector Standing Bed | 1 |
| 13 | 87164 | ProfiClear Premium Standing Bed Module L [INT] | 74548 | Holder Clear Wave L fixation | 1 |
| 14 | 87164 | ProfiClear Premium Standing Bed Module L [INT] | 88444 | Container Standing Bed L | 1 |
| 15 | 87164 | ProfiClear Premium Standing Bed Module L [INT] | 43756 | Gasket mesh tube 2016 | 1 |
| 16 | 87164 | ProfiClear Premium Standing Bed Module L [INT] | 26958 | Outlet 150/1 ProfiClear M 2 - M 5 | 1 |
| 17 | 87164 | ProfiClear Premium Standing Bed Module L [INT] | 27572 | Oval head screw CZ-V2A DIN 7981 6.3 x 32 | 1 |
| 18 | 87164 | ProfiClear Premium Standing Bed Module L [INT] | 18446 | Spare drain DN75 Premium | 1 |
| 19 | 87164 | ProfiClear Premium Standing Bed Module L [INT] | 18448 | spare screw set drain DN75 Premium | 1 |
| 20 | 87164 | ProfiClear Premium Standing Bed Module L [INT] | 17251 | ASM rubber bushing D178 mm | 1 |
| 21 | 87164 | ProfiClear Premium Standing Bed Module L [INT] | 26987 | Outlet 150/2 ProfiClear M 2 - M 5 | 1 |

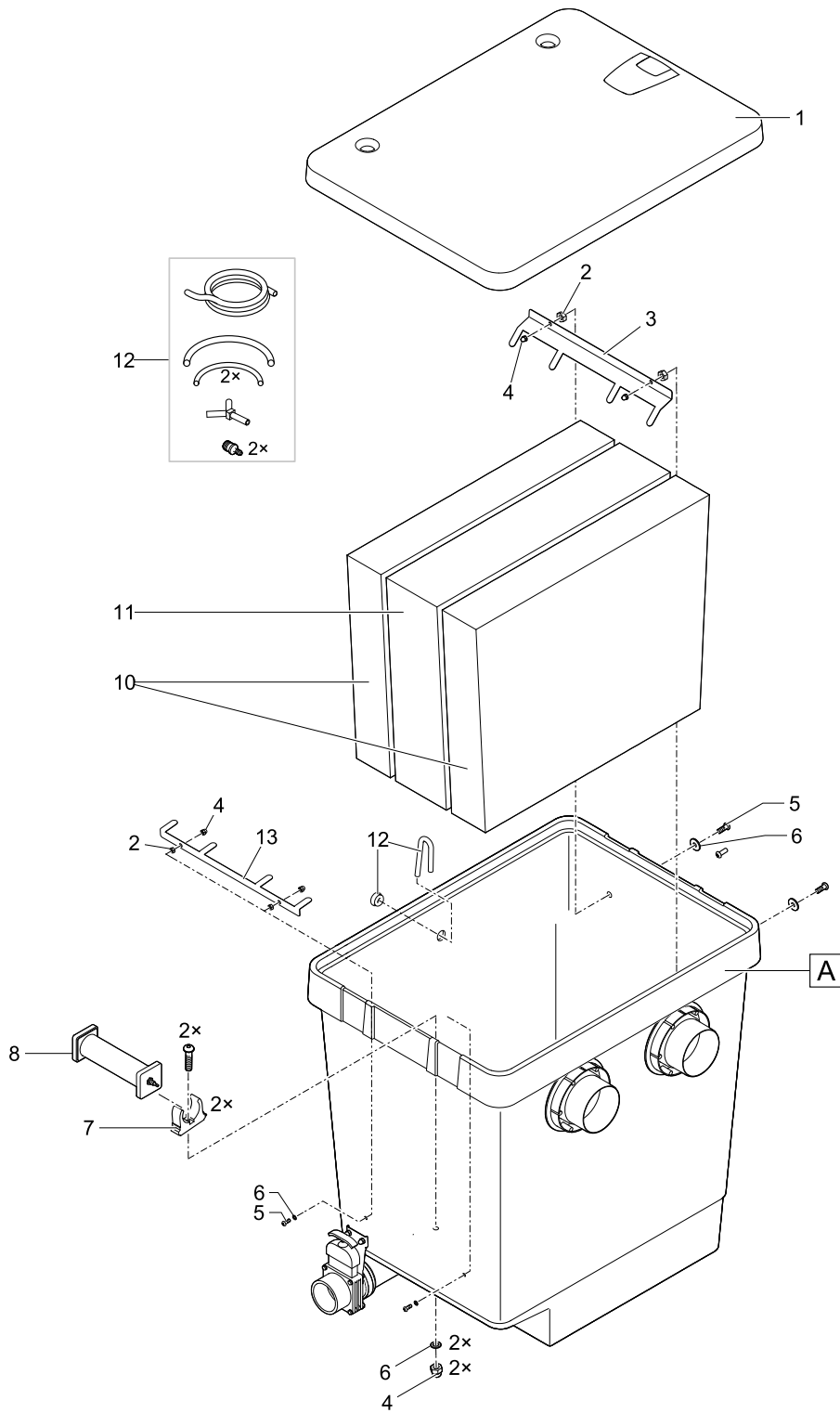
| Item no. | Product |
|----------|---|
| 87166 | ProfiClear Prem. Standing Bed Module XL |

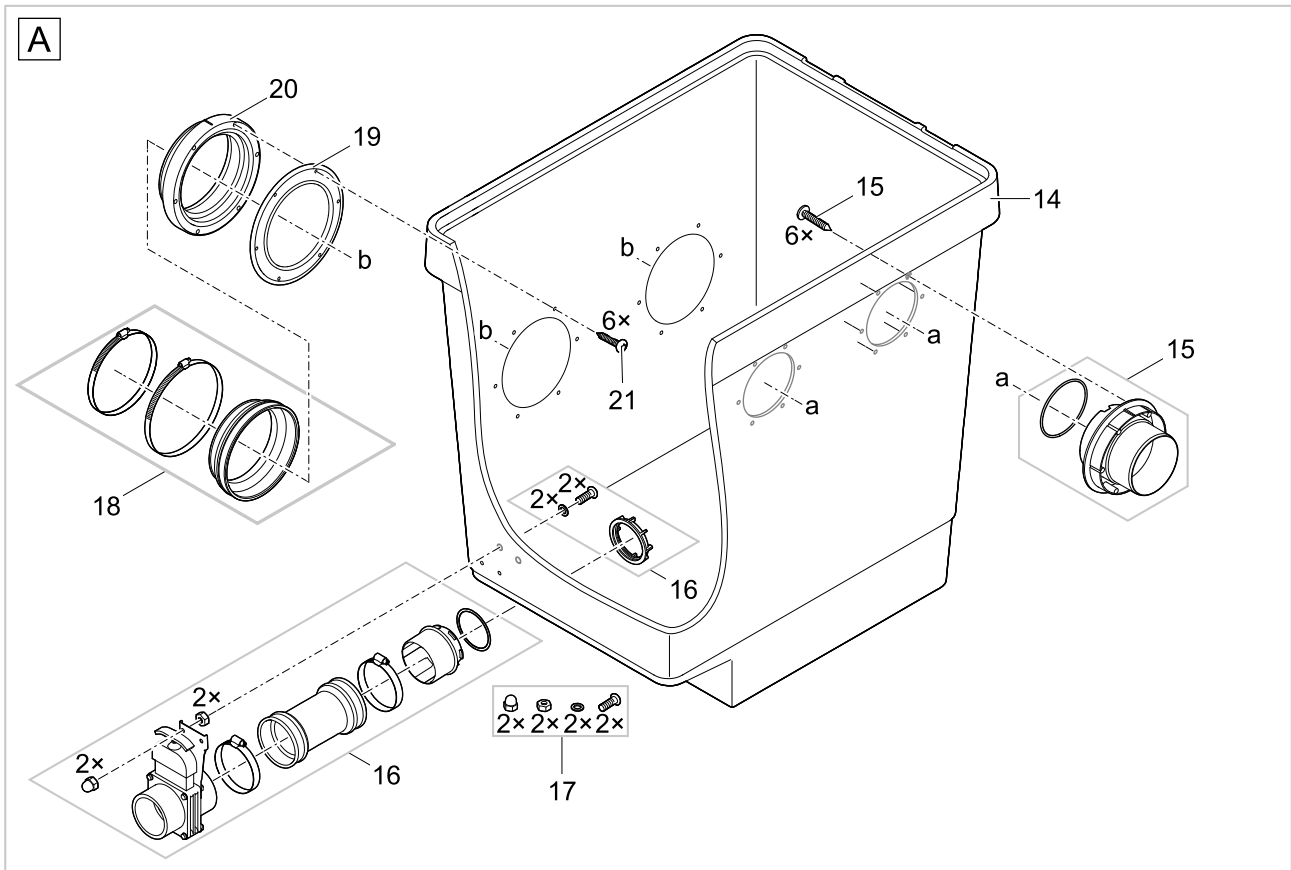




| Pos. | Item no. Product | Product | Item no. Spare part | Spare part | Number |
|------|------------------|---|---------------------|--|--------|
| 1 | 87166 | ProfiClear Prem. Standing Bed Module XL [INT] | 71759 | ASM cover XL Moving Bed | 1 |
| 2 | 87166 | ProfiClear Prem. Standing Bed Module XL [INT] | 76369 | Holder Clear Wave DM XL pumped | 1 |
| 3 | 87166 | ProfiClear Prem. Standing Bed Module XL [INT] | 70425 | Oval head screw Torx V2A ISO14583 M6x25 | 1 |
| 4 | 87166 | ProfiClear Prem. Standing Bed Module XL [INT] | 20609 | Fiberplate DIN 7603 6 x 12 x 1 mm | 1 |
| 5 | 87166 | ProfiClear Prem. Standing Bed Module XL [INT] | 35676 | Strap grip PA black | 1 |
| 6 | 87166 | ProfiClear Prem. Standing Bed Module XL [INT] | 6128 | Lock nut V2A DIN 985 M6 | 1 |
| 7 | 87166 | ProfiClear Prem. Standing Bed Module XL [INT] | 84945 | Cap nut V4A DIN 1587 M6 | 1 |
| 8 | 87166 | ProfiClear Prem. Standing Bed Module XL [INT] | 77537 | Conn. air stone discharge module XL pump | 1 |
| 9 | 87166 | ProfiClear Prem. Standing Bed Module XL [INT] | 42890 | Add. pack air connector ProfiCl. Compact | 1 |
| 10 | 87166 | ProfiClear Prem. Standing Bed Module XL [INT] | 77263 | Screw Torx V2A ISO14583 M6x20 Gleitmo615 | 1 |
| 11 | 87166 | ProfiClear Prem. Standing Bed Module XL [INT] | 17216 | Airstone clamp bio filter | 1 |
| 12 | 87166 | ProfiClear Prem. Standing Bed Module XL [INT] | 88405 | Clear Wave XL 2021 | 1 |
| 13 | 87166 | ProfiClear Prem. Standing Bed Module XL [INT] | 54964 | ASM rubber bushing ID185 to 185 mm | 1 |
| 14 | 87166 | ProfiClear Prem. Standing Bed Module XL [INT] | 88446 | Container Standing Bed XL | 1 |
| 15 | 87166 | ProfiClear Prem. Standing Bed Module XL [INT] | 43756 | Gasket mesh tube 2016 | 1 |
| 16 | 87166 | ProfiClear Prem. Standing Bed Module XL [INT] | 26987 | Outlet 150/2 ProfiClear M 2 - M 5 | 1 |
| 17 | 87166 | ProfiClear Prem. Standing Bed Module XL [INT] | 70428 | Oval head screw Torx V2A ISO14585 6.3x32 | 1 |
| 18 | 87166 | ProfiClear Prem. Standing Bed Module XL [INT] | 70636 | Spare drain DN75 XL | 1 |
| 19 | 87166 | ProfiClear Prem. Standing Bed Module XL [INT] | 18448 | spare screw set drain DN75 Premium | 1 |
| 20 | 87166 | ProfiClear Prem. Standing Bed Module XL [INT] | 22079 | Air stone 50 mm blue | 1 |

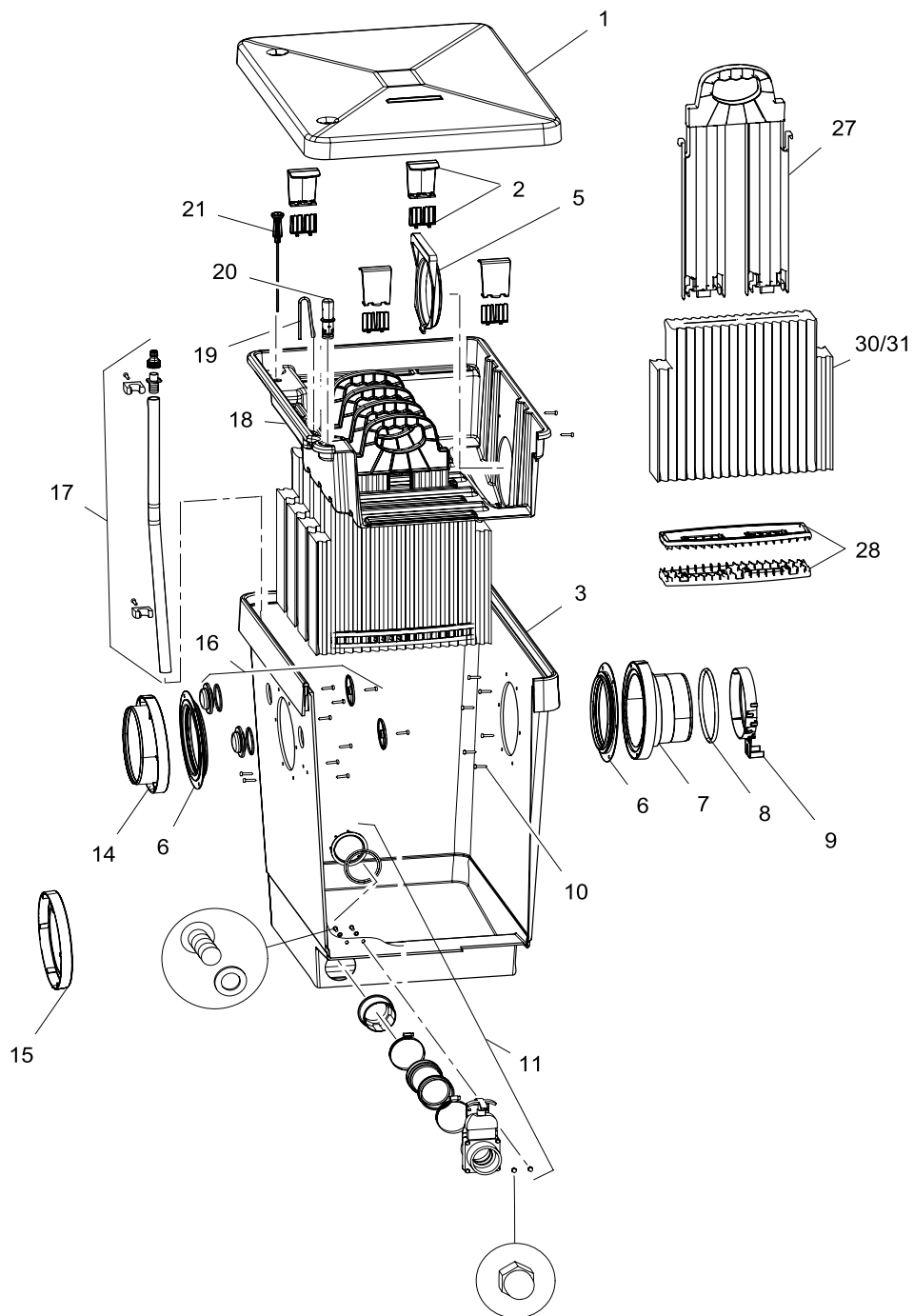
| Item no. | Product |
|----------|---------------------------------------|
| 87165 | ProfiClear Premium Discharge Module L |





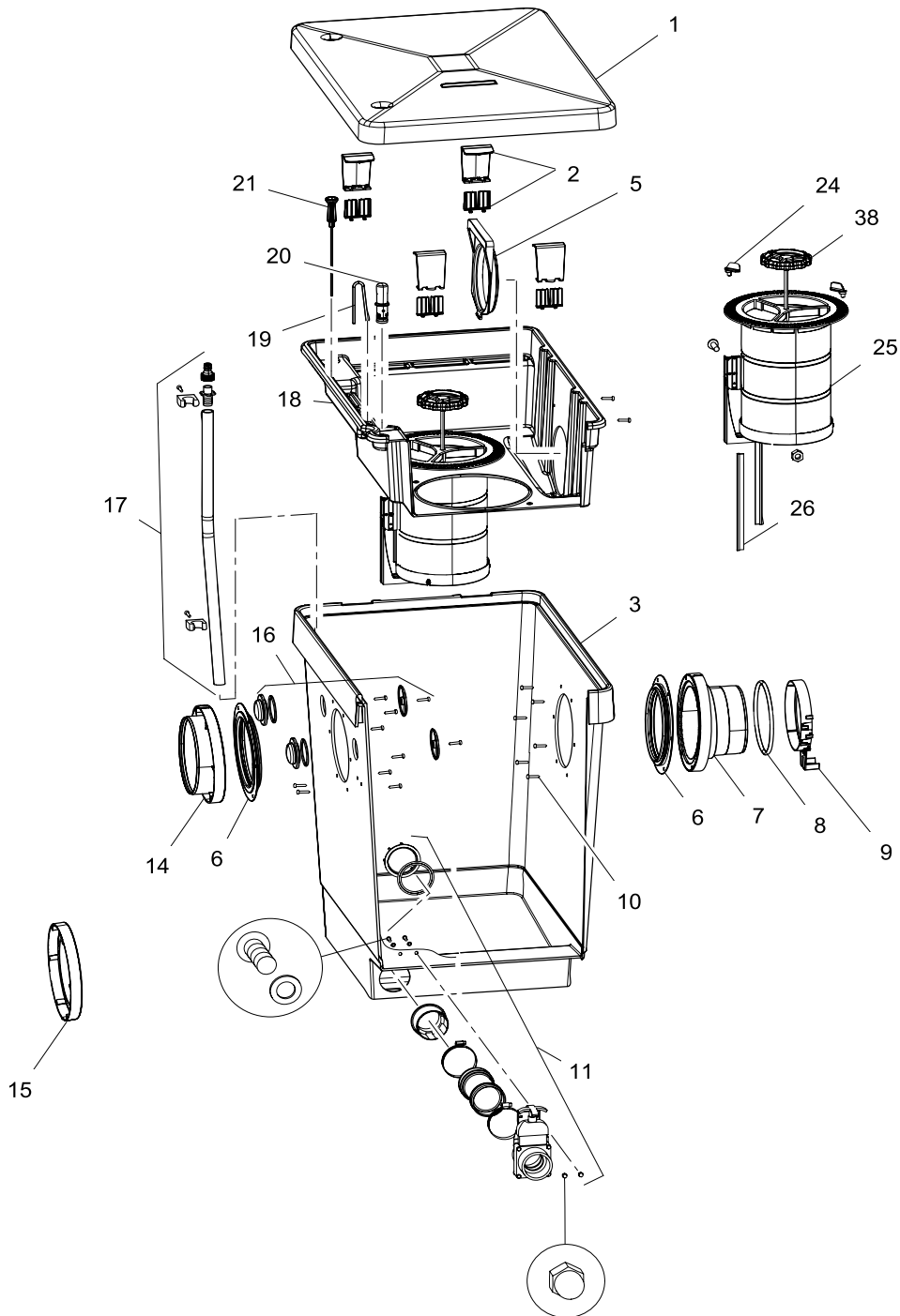
| Pos. | Item no. Product | Product | Item no. Spare part | Spare part | Number |
|------|------------------|---|---------------------|--|--------|
| 1 | 87165 | ProfiClear Premium Discharge Module L [INT] | 72780 | ASM lid container M / L | 1 |
| 2 | 87165 | ProfiClear Premium Discharge Module L [INT] | 6128 | Lock nut V2A DIN 985 M6 | 1 |
| 3 | 87165 | ProfiClear Premium Discharge Module L [INT] | 74547 | Holder Clear Wave L | 1 |
| 4 | 87165 | ProfiClear Premium Discharge Module L [INT] | 84945 | Cap nut V4A DIN 1587 M6 | 1 |
| 5 | 87165 | ProfiClear Premium Discharge Module L [INT] | 77263 | Screw Torx V2A ISO14583 M6x20 Gleitmo615 | 1 |
| 6 | 87165 | ProfiClear Premium Discharge Module L [INT] | 20609 | Fiberplate DIN 7603 6 x 12 x 1 mm | 1 |
| 7 | 87165 | ProfiClear Premium Discharge Module L [INT] | 17216 | Airstone clamp bio filter | 1 |
| 8 | 87165 | ProfiClear Premium Discharge Module L [INT] | 22079 | Air stone 50 mm blue | 1 |
| 10 | 87165 | ProfiClear Premium Discharge Module L [INT] | 74543 | Clear Wave L 100 | 1 |
| 11 | 87165 | ProfiClear Premium Discharge Module L [INT] | 74544 | Clear Wave L 150 | 1 |
| 12 | 87165 | ProfiClear Premium Discharge Module L [INT] | 74549 | Spare air connector Standing Bed | 1 |
| 13 | 87165 | ProfiClear Premium Discharge Module L [INT] | 74548 | Holder Clear Wave L fixation | 1 |
| 14 | 87165 | ProfiClear Premium Discharge Module L [INT] | 88445 | Container discharge module L | 1 |
| 15 | 87165 | ProfiClear Premium Discharge Module L [INT] | 77507 | Spare connection set DN110 short | 1 |
| 16 | 87165 | ProfiClear Premium Discharge Module L [INT] | 18446 | Spare drain DN75 Premium | 1 |
| 17 | 87165 | ProfiClear Premium Discharge Module L [INT] | 18448 | spare screw set drain DN75 Premium | 1 |
| 18 | 87165 | ProfiClear Premium Discharge Module L [INT] | 17251 | ASM rubber bushing D178 mm | 1 |
| 19 | 87165 | ProfiClear Premium Discharge Module L [INT] | 43756 | Gasket mesh tube 2016 | 1 |
| 20 | 87165 | ProfiClear Premium Discharge Module L [INT] | 26987 | Outlet 150/2 ProfiClear M 2 - M 5 | 1 |
| 21 | 87165 | ProfiClear Premium Discharge Module L [INT] | 27572 | Oval head screw CZ-V2A DIN 7981 6.3 x 32 | 1 |

| Item no. | Product |
|----------|--------------------------------------|
| 51065 | ProfClear Classic filter foam module |



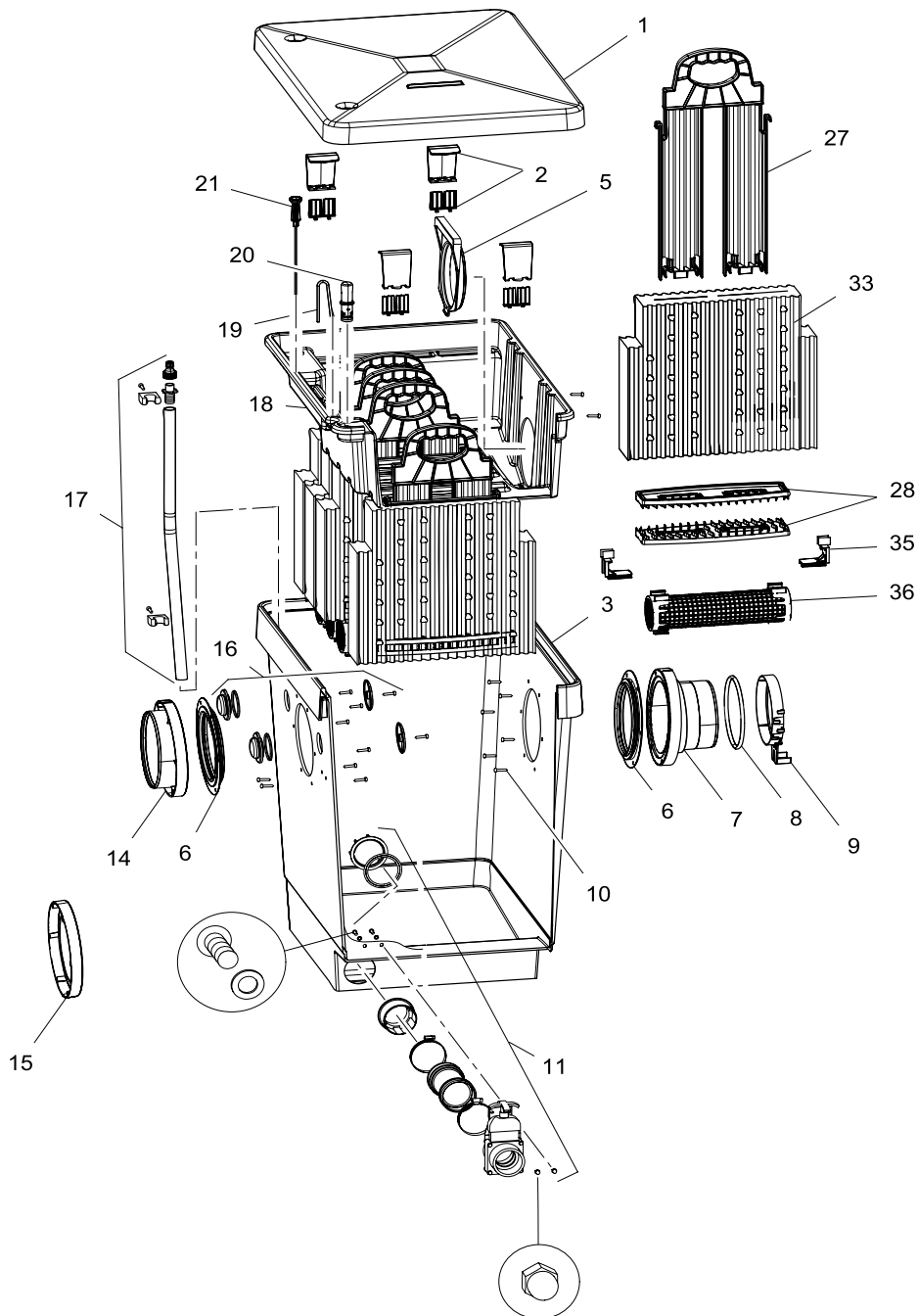
| Pos. | Item no. Product | Product | Item no. Spare part | Spare part | Number |
|------|---------------------|---|------------------------|--|--------|
| 1 | 51065 | ProfiClear Classic filter foam module [INT] | 72780 | ASM lid container M / L | 1 |
| 2 | 51065 | ProfiClear Classic filter foam module [INT] | 35408 | Spare clip inner lid 1 + 2 ProfiClear | 1 |
| 3 | 51065 | ProfiClear Classic filter foam module [INT] | 18412 | Filter box ProfiCl. Clas. filter module | 1 |
| 5 | 51065 | ProfiClear Classic filter foam module [INT] | 26960 | Outlet grid ProfiClear M 2 - M 5 | 1 |
| 6 | 51065 | ProfiClear Classic filter foam module [INT] | 26957 | Gasket 150 screwed | 2 |
| 7 | 51065 | ProfiClear Classic filter foam module [INT] | 26958 | Outlet 150/1 ProfiClear M 2 - M 5 | 1 |
| 8 | 51065 | ProfiClear Classic filter foam module [INT] | 27669 | O-Ring NBR 156 x 10 SH70 | 1 |
| 9 | 51065 | ProfiClear Classic filter foam module [INT] | 26968 | Aeratorblock retainer | 1 |
| 10 | 51065 | ProfiClear Classic filter foam module [INT] | 27572 | Oval head screw CZ-V2A DIN 7981 6.3 x 32 | 1 |
| 11 | 51065 | ProfiClear Classic filter foam module [INT] | 18446 | Spare drain DN75 Premium | 1 |
| 14 | 51065 | ProfiClear Classic filter foam module [INT] | 26987 | Outlet 150/2 ProfiClear M 2 - M 5 | 1 |
| 15 | 51065 | ProfiClear Classic filter foam module [INT] | 27175 | Plug 150 ProfiClear | 1 |
| 16 | 51065 | ProfiClear Classic filter foam module [INT] | 19325 | ASM plug cpl. module filter 1 1/2" | 1 |
| 17 | 51065 | ProfiClear Classic filter foam module [INT] | 35411 | Spare spray unit ProfiClear | 1 |
| 18 | 51065 | ProfiClear Classic filter foam module [INT] | 26981 | Inner cover foam ProfiClear M 3 - M 5 | 1 |
| 19 | 51065 | ProfiClear Classic filter foam module [INT] | 27172 | Air connection ProfiClear | 1 |
| 20 | 51065 | ProfiClear Classic filter foam module [INT] | 35409 | Spare water level indicator ProfiClear | 1 |
| 21 | 51065 | ProfiClear Classic filter foam module [INT] | 35410 | Spare thermometer with clip ProfiClear | 1 |
| 27 | 51065 | ProfiClear Classic filter foam module [INT] | 26982 | Foam holder ProfiClear | 6 |
| 28 | 51065 | ProfiClear Classic filter foam module [INT] | 27176 | Foam holder plate ProfiClear | 12 |
| 30 | 51065 | ProfiClear Classic filter foam module [INT] | 27295 | Repl. foam red ProfiClear M3 | 3 |
| 31 | 51065 | ProfiClear Classic filter foam module [INT] | 26983 | Repl. foam blue wide ProfiClear M3 | 3 |

| Item no. | Product |
|----------|--|
| 51064 | ProfiClear Classic coarse debris extrac. |



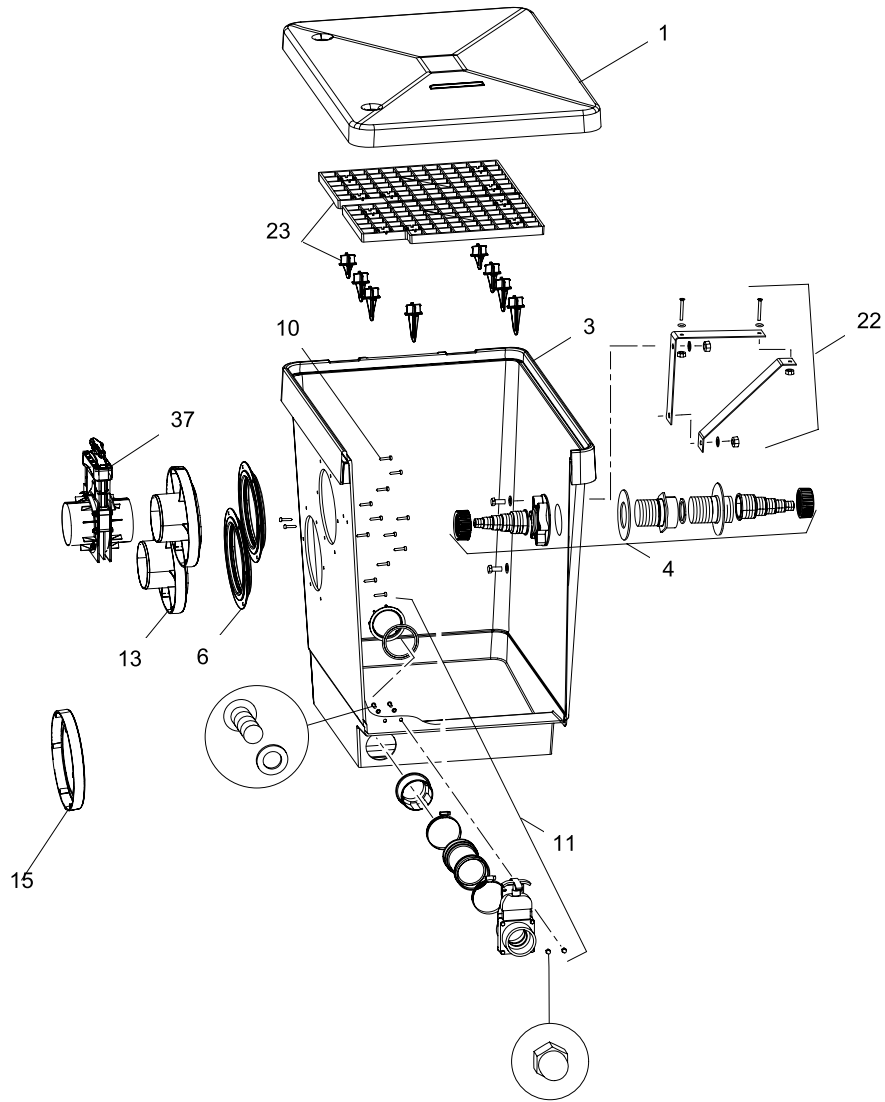
| Pos. | Item no. Product | Product | | Item no. Spare part | Spare part | Number |
|------|---------------------|--|--|------------------------|--|--------|
| 1 | 51064 | ProfiClear Classic coarse debris extrac. [INT] | | 72780 | ASM lid container M / L | 1 |
| 2 | 51064 | ProfiClear Classic coarse debris extrac. [INT] | | 35408 | Spare clip inner lid 1 + 2 ProfiClear | 1 |
| 3 | 51064 | ProfiClear Classic coarse debris extrac. [INT] | | 18412 | Filter box ProfiCl. Clas. filter module | 1 |
| 5 | 51064 | ProfiClear Classic coarse debris extrac. [INT] | | 26960 | Outlet grid ProfiClear M 2 - M 5 | 1 |
| 6 | 51064 | ProfiClear Classic coarse debris extrac. [INT] | | 26957 | Gasket 150 screwed | 2 |
| 7 | 51064 | ProfiClear Classic coarse debris extrac. [INT] | | 26958 | Outlet 150/1 ProfiClear M 2 - M 5 | 1 |
| 8 | 51064 | ProfiClear Classic coarse debris extrac. [INT] | | 27669 | O-Ring NBR 156 x 10 SH70 | 1 |
| 9 | 51064 | ProfiClear Classic coarse debris extrac. [INT] | | 26968 | Aeratorblock retainer | 1 |
| 10 | 51064 | ProfiClear Classic coarse debris extrac. [INT] | | 27572 | Oval head screw CZ-V2A DIN 7981 6.3 x 32 | 1 |
| 11 | 51064 | ProfiClear Classic coarse debris extrac. [INT] | | 18446 | Spare drain DN75 Premium | 1 |
| 14 | 51064 | ProfiClear Classic coarse debris extrac. [INT] | | 26987 | Outlet 150/2 ProfiClear M 2 - M 5 | 1 |
| 15 | 51064 | ProfiClear Classic coarse debris extrac. [INT] | | 27175 | Plug 150 ProfiClear | 1 |
| 16 | 51064 | ProfiClear Classic coarse debris extrac. [INT] | | 19325 | ASM plug cpl. module filter 1 1/2" | 1 |
| 17 | 51064 | ProfiClear Classic coarse debris extrac. [INT] | | 35411 | Spare spray unit ProfiClear | 1 |
| 18 | 51064 | ProfiClear Classic coarse debris extrac. [INT] | | 26966 | Inner cover Screenex | 1 |
| 19 | 51064 | ProfiClear Classic coarse debris extrac. [INT] | | 27172 | Air connection ProfiClear | 1 |
| 20 | 51064 | ProfiClear Classic coarse debris extrac. [INT] | | 35409 | Spare water level indicator ProfiClear | 1 |
| 21 | 51064 | ProfiClear Classic coarse debris extrac. [INT] | | 35410 | Spare thermometer with clip ProfiClear | 1 |
| 24 | 51064 | ProfiClear Classic coarse debris extrac. [INT] | | 35873 | ASM cylinder retainer ProfiClear M 2 | 1 |
| 25 | 51064 | ProfiClear Classic coarse debris extrac. [INT] | | 27173 | ASM cylinder screenex ProfiClear | 2 |
| 26 | 51064 | ProfiClear Classic coarse debris extrac. [INT] | | 26972 | Brush Screenex cylinder ProfiClear M 2 | 1 |
| 38 | 51064 | ProfiClear Classic coarse debris extrac. [INT] | | 26979 | Turning handle Sreenex cylin. ProfiCl.M2 | 1 |

| Item no. | Product |
|----------|--|
| 51066 | ProfiClear Classic phosphate binder mod. |



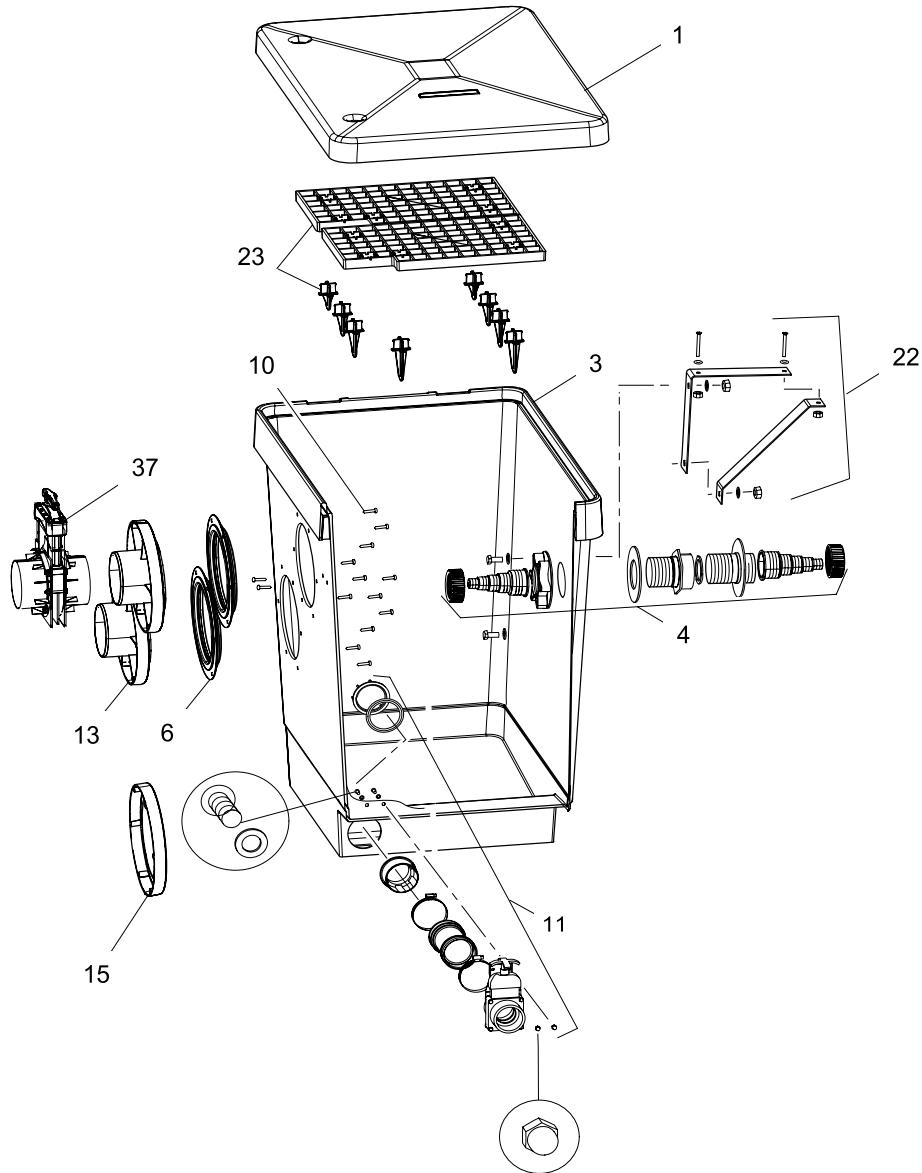
| Pos. | Item no. Product | Product | Item no. Spare part | Spare part | Number |
|------|---------------------|--|------------------------|--|--------|
| 1 | 51066 | ProfiClear Classic phosphate binder mod. [INT] | 72780 | ASM lid container M / L | 1 |
| 2 | 51066 | ProfiClear Classic phosphate binder mod. [INT] | 35408 | Spare clip inner lid 1 + 2 ProfiClear | 1 |
| 3 | 51066 | ProfiClear Classic phosphate binder mod. [INT] | 18412 | Filter box ProfiCl. Clas. filter module | 1 |
| 5 | 51066 | ProfiClear Classic phosphate binder mod. [INT] | 26960 | Outlet grid ProfiClear M 2 - M 5 | 1 |
| 6 | 51066 | ProfiClear Classic phosphate binder mod. [INT] | 26957 | Gasket 150 screwed | 2 |
| 7 | 51066 | ProfiClear Classic phosphate binder mod. [INT] | 26958 | Outlet 150/1 ProfiClear M 2 - M 5 | 1 |
| 8 | 51066 | ProfiClear Classic phosphate binder mod. [INT] | 27669 | O-Ring NBR 156 x 10 SH70 | 1 |
| 9 | 51066 | ProfiClear Classic phosphate binder mod. [INT] | 26968 | Aeratorblock retainer | 1 |
| 10 | 51066 | ProfiClear Classic phosphate binder mod. [INT] | 27572 | Oval head screw CZ-V2A DIN 7981 6.3 x 32 | 1 |
| 11 | 51066 | ProfiClear Classic phosphate binder mod. [INT] | 18446 | Spare drain DN75 Premium | 1 |
| 14 | 51066 | ProfiClear Classic phosphate binder mod. [INT] | 26987 | Outlet 150/2 ProfiClear M 2 - M 5 | 1 |
| 15 | 51066 | ProfiClear Classic phosphate binder mod. [INT] | 27175 | Plug 150 ProfiClear | 1 |
| 16 | 51066 | ProfiClear Classic phosphate binder mod. [INT] | 19325 | ASM plug cpl. module filter 1 1/2" | 1 |
| 17 | 51066 | ProfiClear Classic phosphate binder mod. [INT] | 35411 | Spare spray unit ProfiClear | 1 |
| 18 | 51066 | ProfiClear Classic phosphate binder mod. [INT] | 26981 | Inner cover foam ProfiClear M 3 - M 5 | 1 |
| 19 | 51066 | ProfiClear Classic phosphate binder mod. [INT] | 27172 | Air connection ProfiClear | 1 |
| 20 | 51066 | ProfiClear Classic phosphate binder mod. [INT] | 35409 | Spare water level indicator ProfiClear | 1 |
| 21 | 51066 | ProfiClear Classic phosphate binder mod. [INT] | 35410 | Spare thermometer with clip ProfiClear | 1 |
| 27 | 51066 | ProfiClear Classic phosphate binder mod. [INT] | 26982 | Foam holder ProfiClear | 6 |
| 28 | 51066 | ProfiClear Classic phosphate binder mod. [INT] | 27176 | Foam holder plate ProfiClear | 12 |
| 33 | 51066 | ProfiClear Classic phosphate binder mod. [INT] | 27297 | Repl. foam black wide ProfiClear M5 | 6 |
| 35 | 51066 | ProfiClear Classic phosphate binder mod. [INT] | 27213 | PhosLess clamp ProfiClear | 8 |
| 36 | 51066 | ProfiClear Classic phosphate binder mod. [INT] | 36981 | AquaActiv PhosLess | 2 |

| Item no. | Product |
|----------|---------------------------------|
| 51061 | ProfiClear Classic pump chamber |



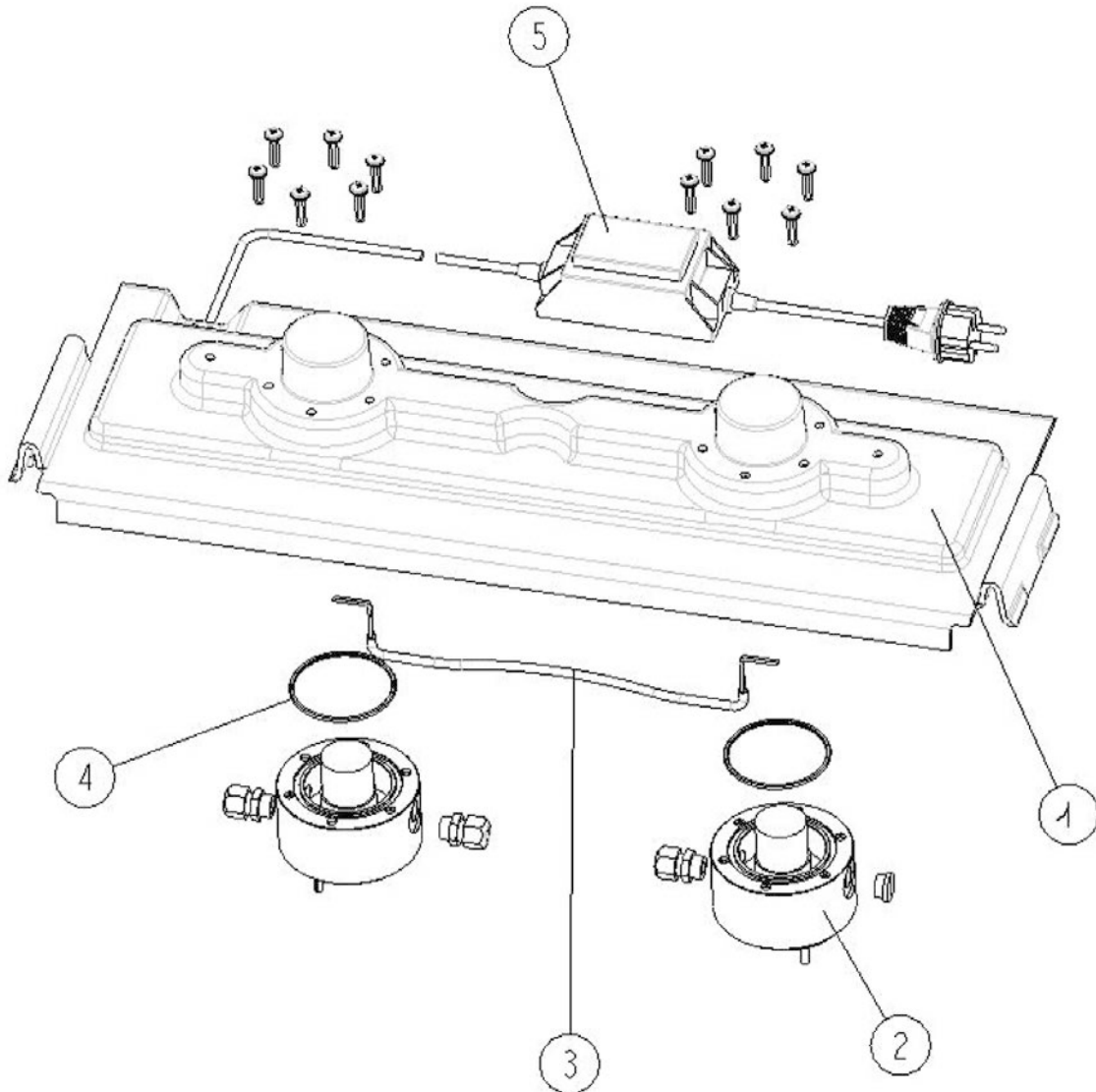
| Pos. | Item no. Product | Product | Item no. Spare part | Spare part | Number |
|------|------------------|---------------------------------------|---------------------|--|--------|
| 1 | 51061 | ProfiClear Classic pump chamber [INT] | 72780 | ASM lid container M / L | 1 |
| 3 | 51061 | ProfiClear Classic pump chamber [INT] | 30703 | Filter box ProfiClear Clas. pump module | 1 |
| 4 | 51061 | ProfiClear Classic pump chamber [INT] | 35405 | Spare part connection set ProfiClear | 1 |
| 6 | 51061 | ProfiClear Classic pump chamber [INT] | 26957 | Gasket 150 screwed | 2 |
| 10 | 51061 | ProfiClear Classic pump chamber [INT] | 27572 | Oval head screw CZ-V2A DIN 7981 6.3 x 32 | 1 |
| 11 | 51061 | ProfiClear Classic pump chamber [INT] | 18446 | Spare drain DN75 Premium | 1 |
| 13 | 51061 | ProfiClear Classic pump chamber [INT] | 26963 | Intake 100 | 2 |
| 15 | 51061 | ProfiClear Classic pump chamber [INT] | 27175 | Plug 150 ProfiClear | 1 |
| 22 | 51061 | ProfiClear Classic pump chamber [INT] | 35429 | Spare Bitron holder ProfiClear | 1 |
| 23 | 51061 | ProfiClear Classic pump chamber [INT] | 35407 | Spare base screen incl. foot ProfiClear | 1 |
| 37 | 51061 | ProfiClear Classic pump chamber [INT] | 27171 | Slider DN 110 | 1 |

| Item no. | Product |
|----------|---------------------------------|
| 56897 | ProfiClear Classic pump chamber |



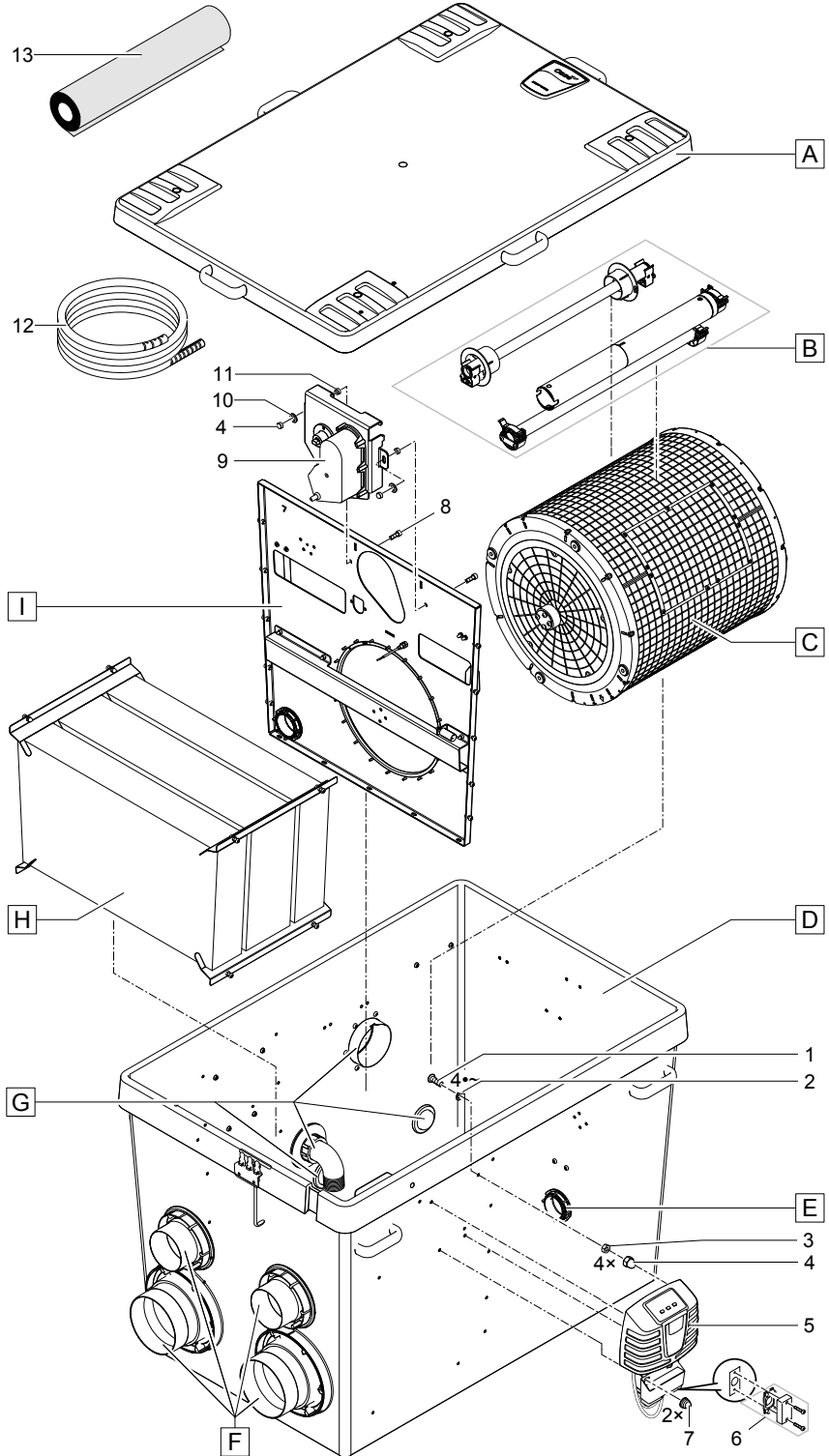
| Pos. | Item no. Product | Product | Item no. Spare part | Spare part | Number |
|------|------------------|---------------------------------------|---------------------|--|--------|
| 1 | 56897 | ProfiClear Classic pump chamber [INT] | 72780 | ASM lid container M / L | 1 |
| 3 | 56897 | ProfiClear Classic pump chamber [INT] | 27278 | Filter box ProfiClear M 1 | 1 |
| 4 | 56897 | ProfiClear Classic pump chamber [INT] | 35405 | Spare part connection set ProfiClear | 1 |
| 6 | 56897 | ProfiClear Classic pump chamber [INT] | 26957 | Gasket 150 screwed | 2 |
| 10 | 56897 | ProfiClear Classic pump chamber [INT] | 27572 | Oval head screw CZ-V2A DIN 7981 6.3 x 32 | 1 |
| 11 | 56897 | ProfiClear Classic pump chamber [INT] | 18446 | Spare drain DN75 Premium | 1 |
| 13 | 56897 | ProfiClear Classic pump chamber [INT] | 26963 | Intake 100 | 2 |
| 15 | 56897 | ProfiClear Classic pump chamber [INT] | 27175 | Plug 150 ProfiClear | 1 |
| 22 | 56897 | ProfiClear Classic pump chamber [INT] | 35429 | Spare Bitron holder ProfiClear | 1 |
| 23 | 56897 | ProfiClear Classic pump chamber [INT] | 35407 | Spare base screen incl. foot ProfiClear | 1 |
| 37 | 56897 | ProfiClear Classic pump chamber [INT] | 27171 | Slider DN 110 | 1 |

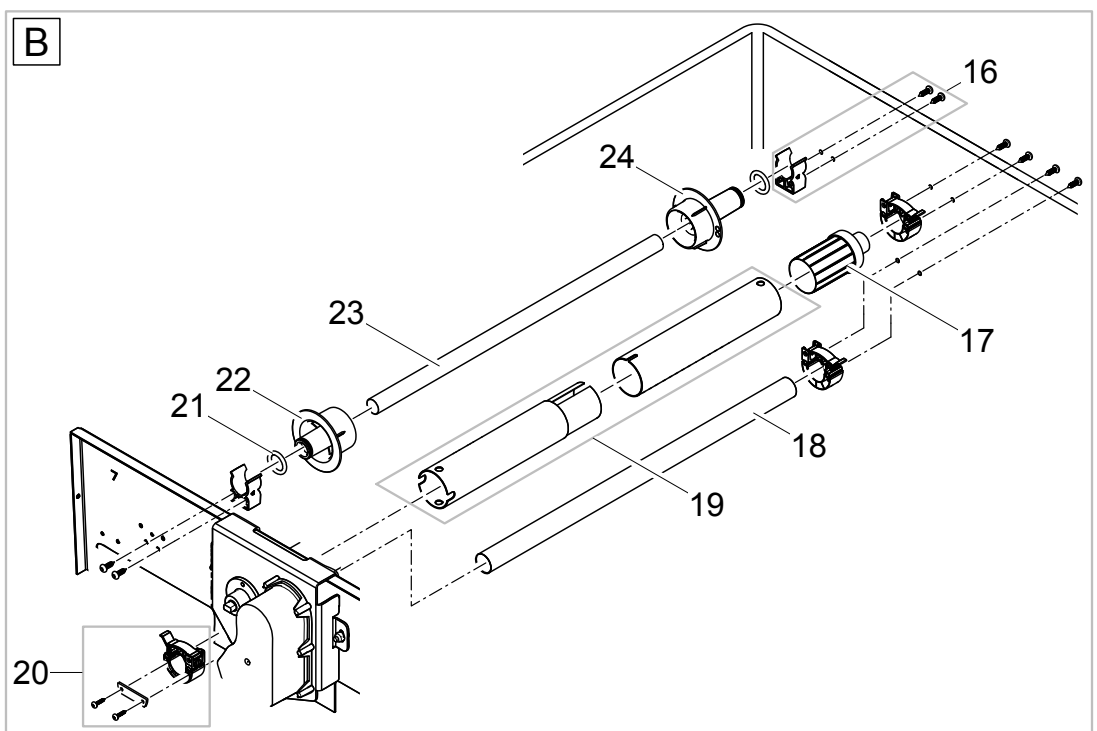
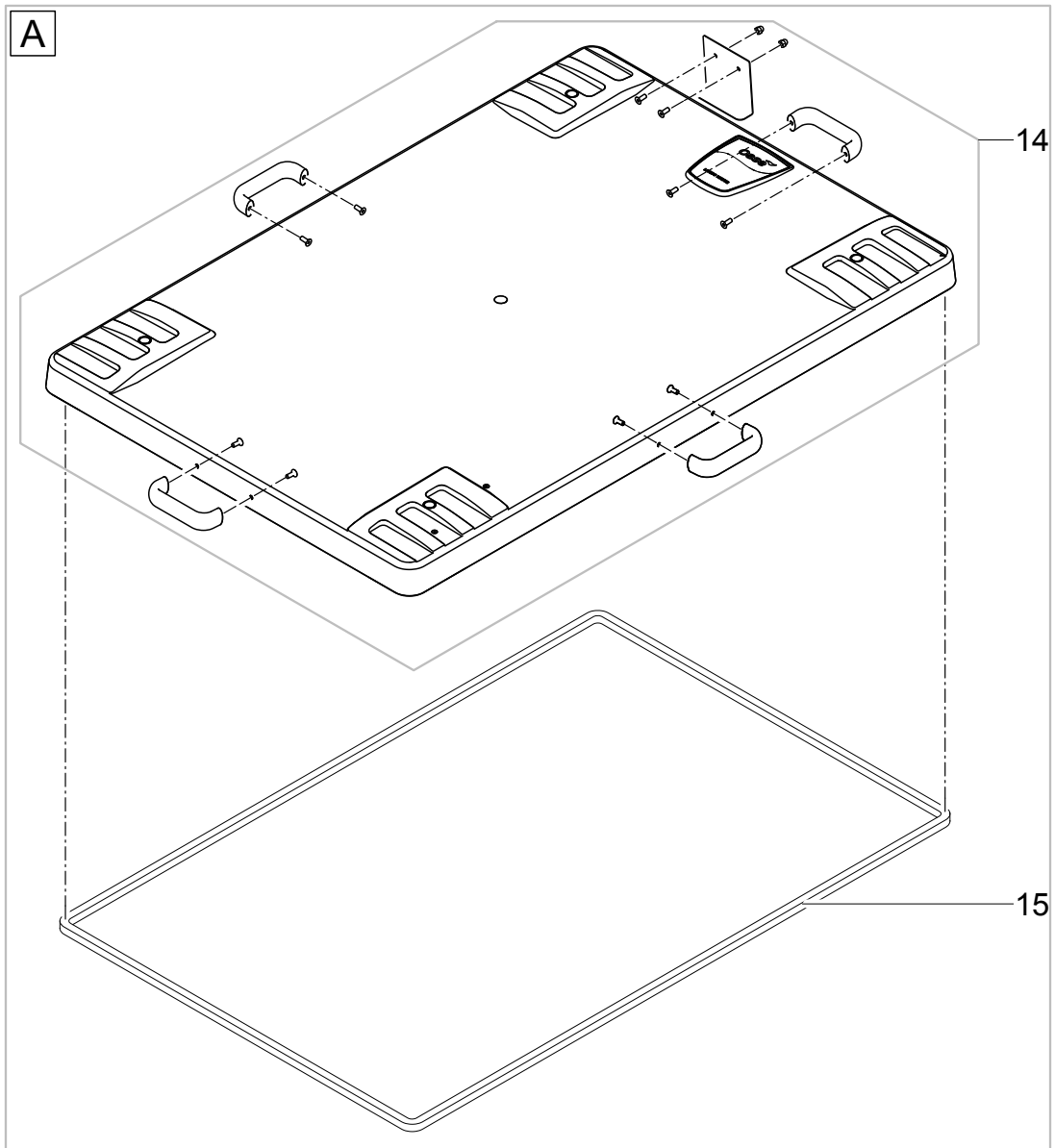
| Item no. | Product |
|----------|------------------------|
| 57094 | ProfiClear Screendrive |

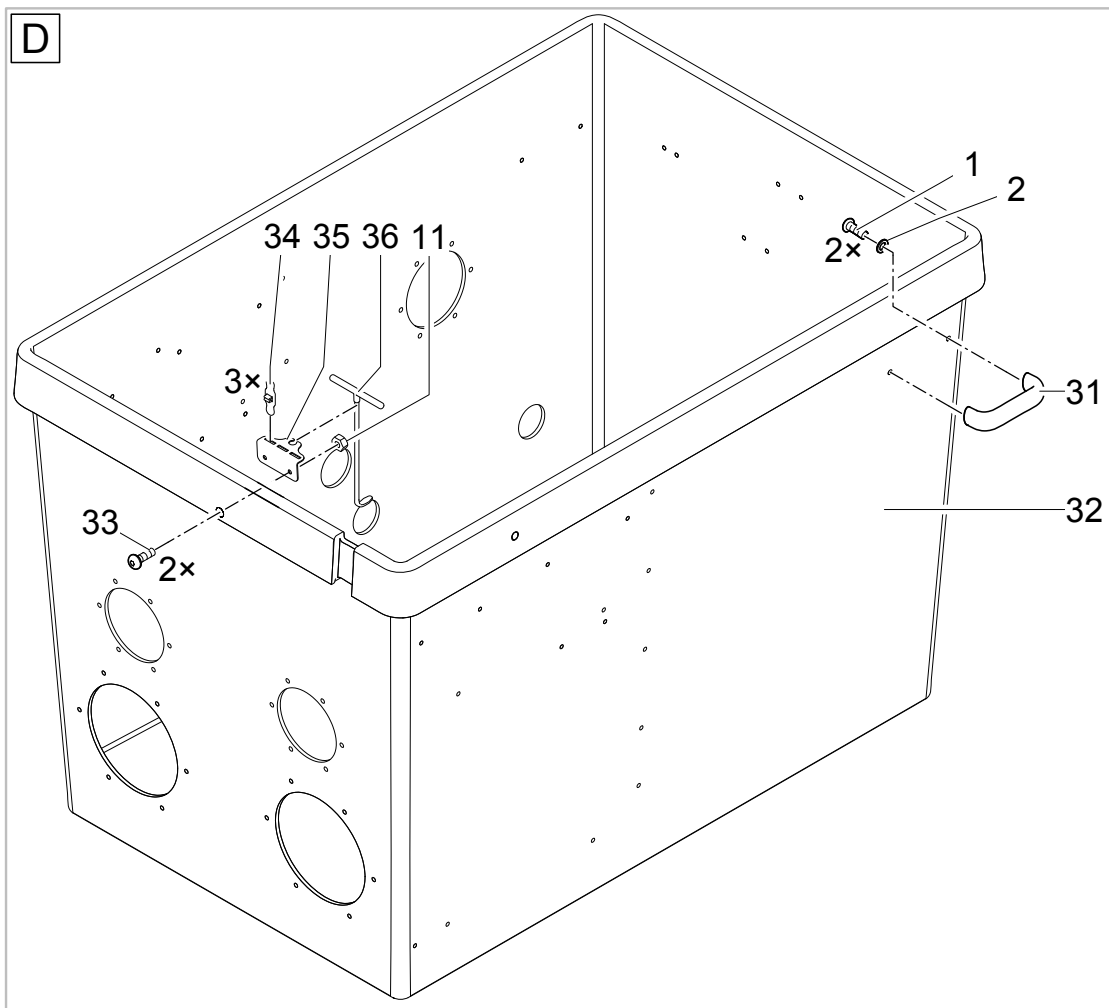
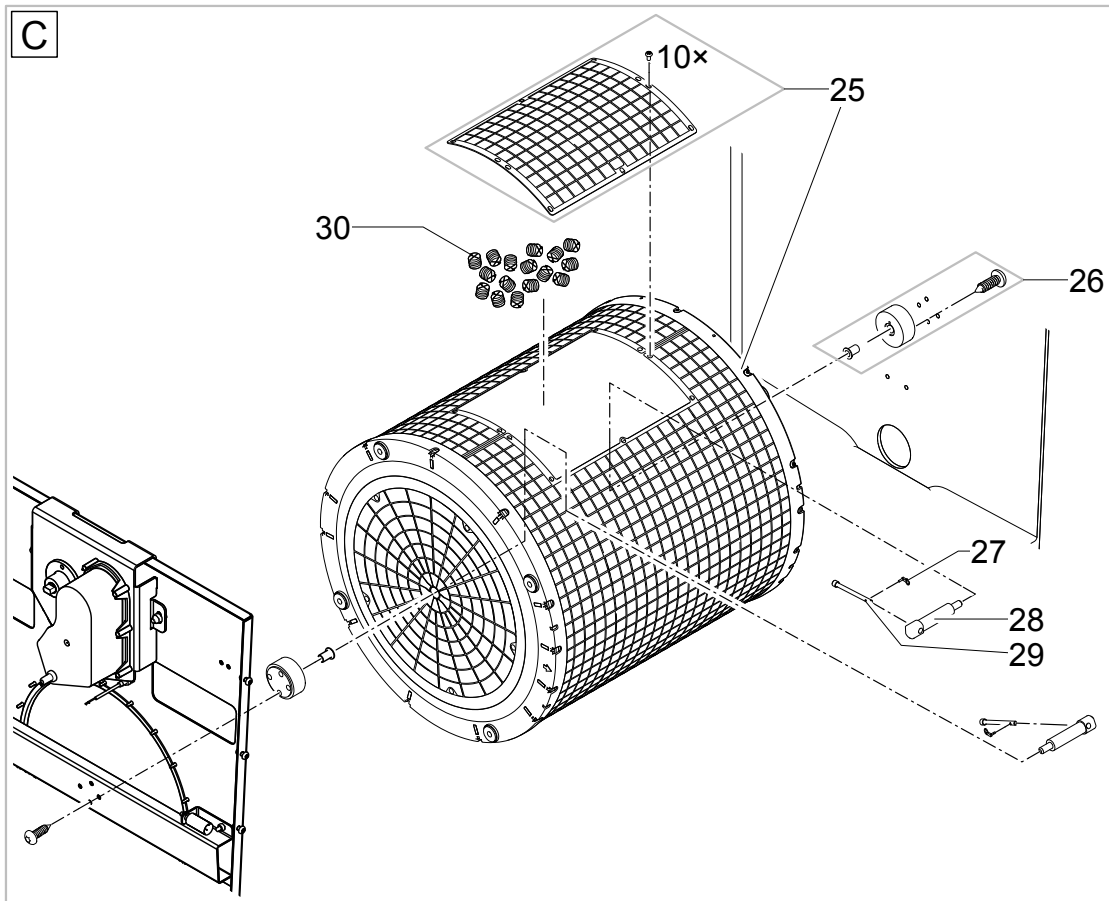


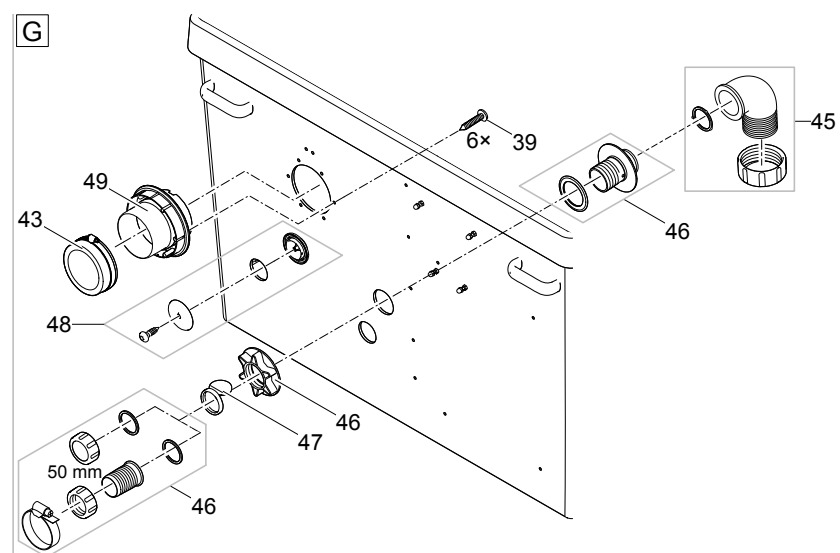
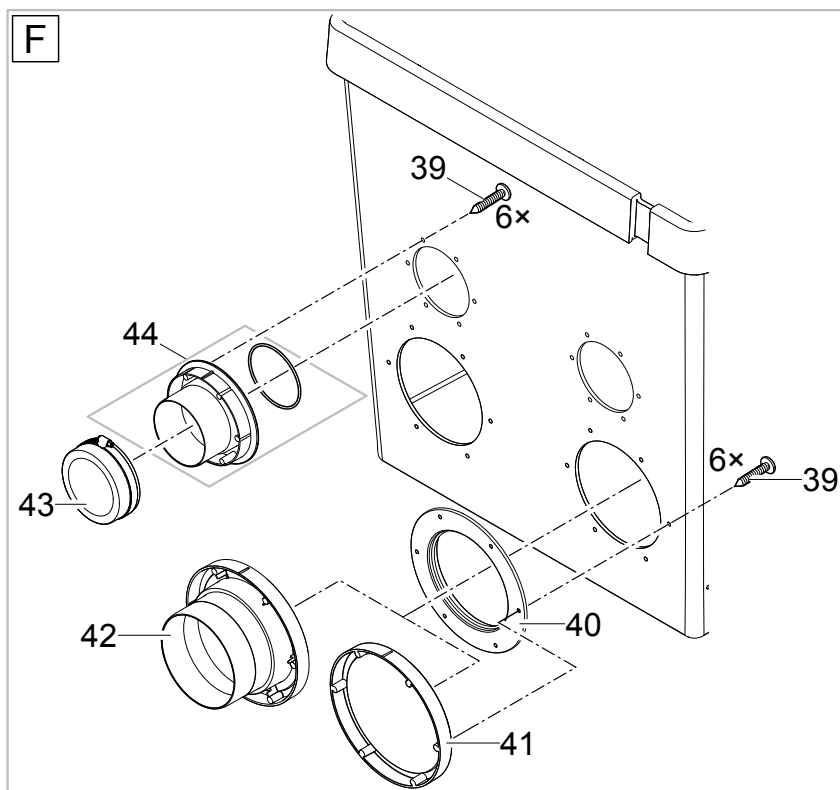
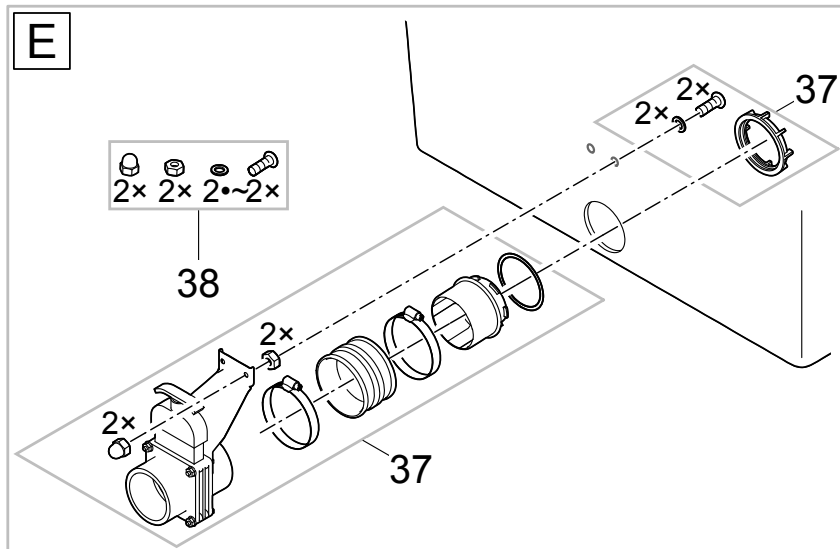
| Pos. | Item no. Product | Product | Item no. Spare part | Spare part | Number |
|------|---------------------|------------------------------|------------------------|---|--------|
| 1 | 57094 | ProfiClear Screendrive [INT] | 27731 | Cover plate | 1 |
| 2 | 57094 | ProfiClear Screendrive [INT] | 35458 | Assembly motor cpl. | 1 |
| 3 | 57094 | ProfiClear Screendrive [INT] | 27792 | Connection cable H05RN-F 2 x 1.0mm ² /0.5m | 1 |
| 4 | 57094 | ProfiClear Screendrive [INT] | 16250 | O-Ring NBR 65 x 3 SH70 | 2 |
| 5 | 57094 | ProfiClear Screendrive [INT] | 35445 | ASM timer | 1 |

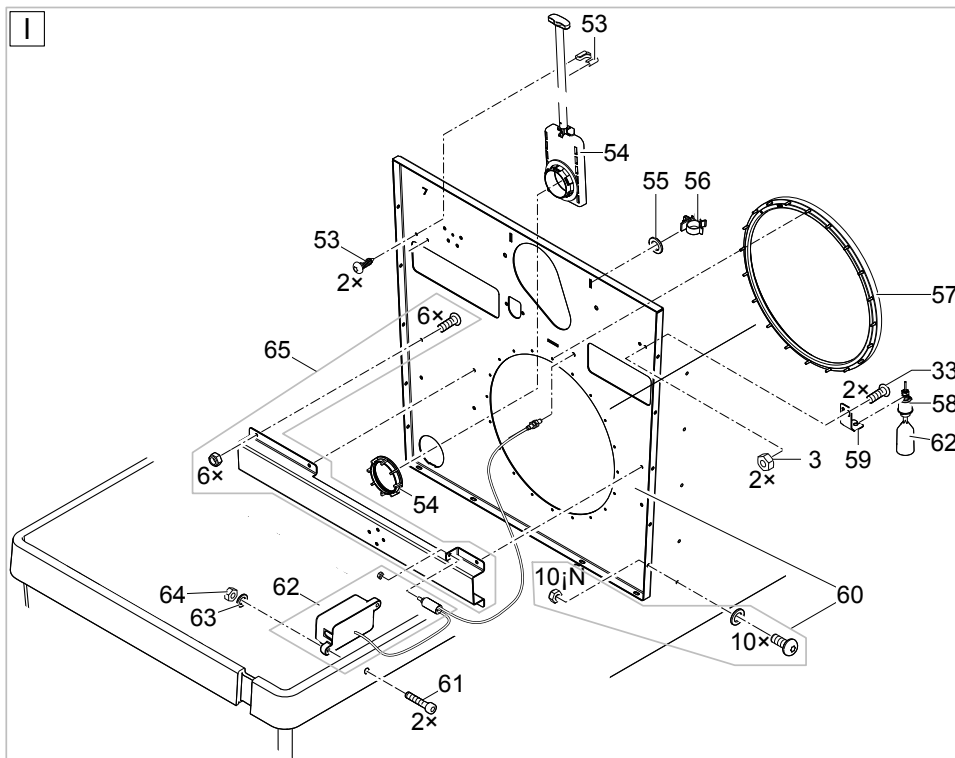
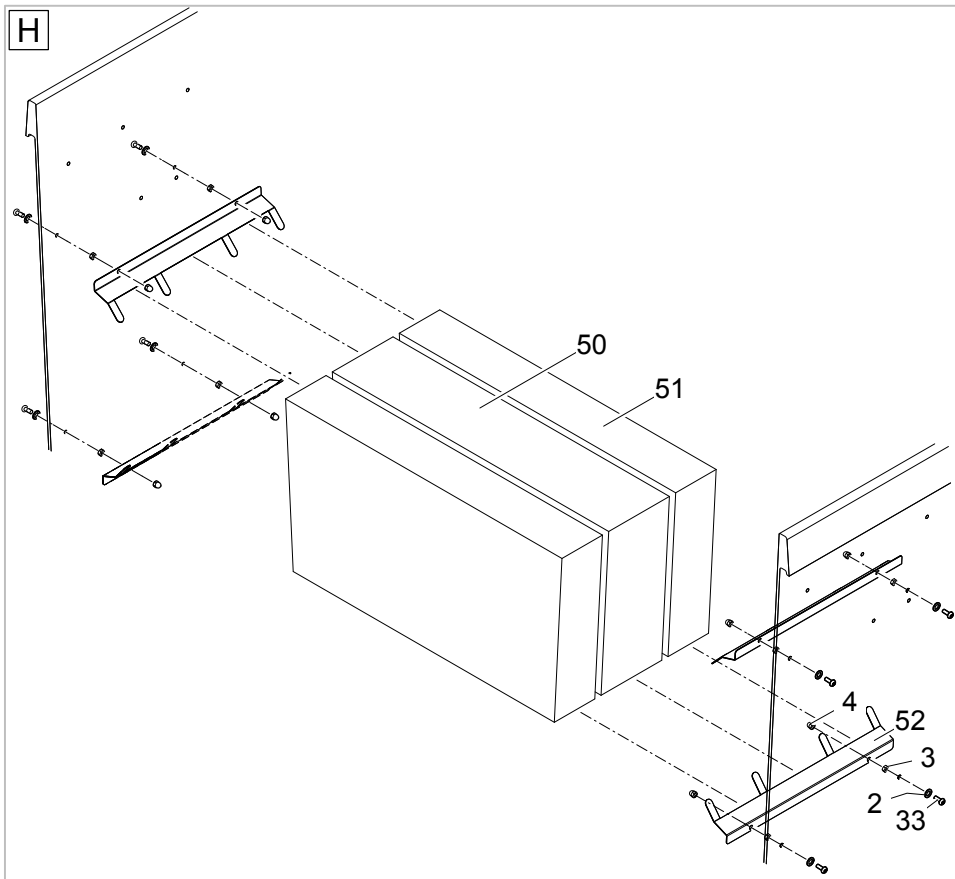
| Item no. | Product |
|----------|-------------------------------|
| 75218 | ProfiClear Premium Fleece 500 |







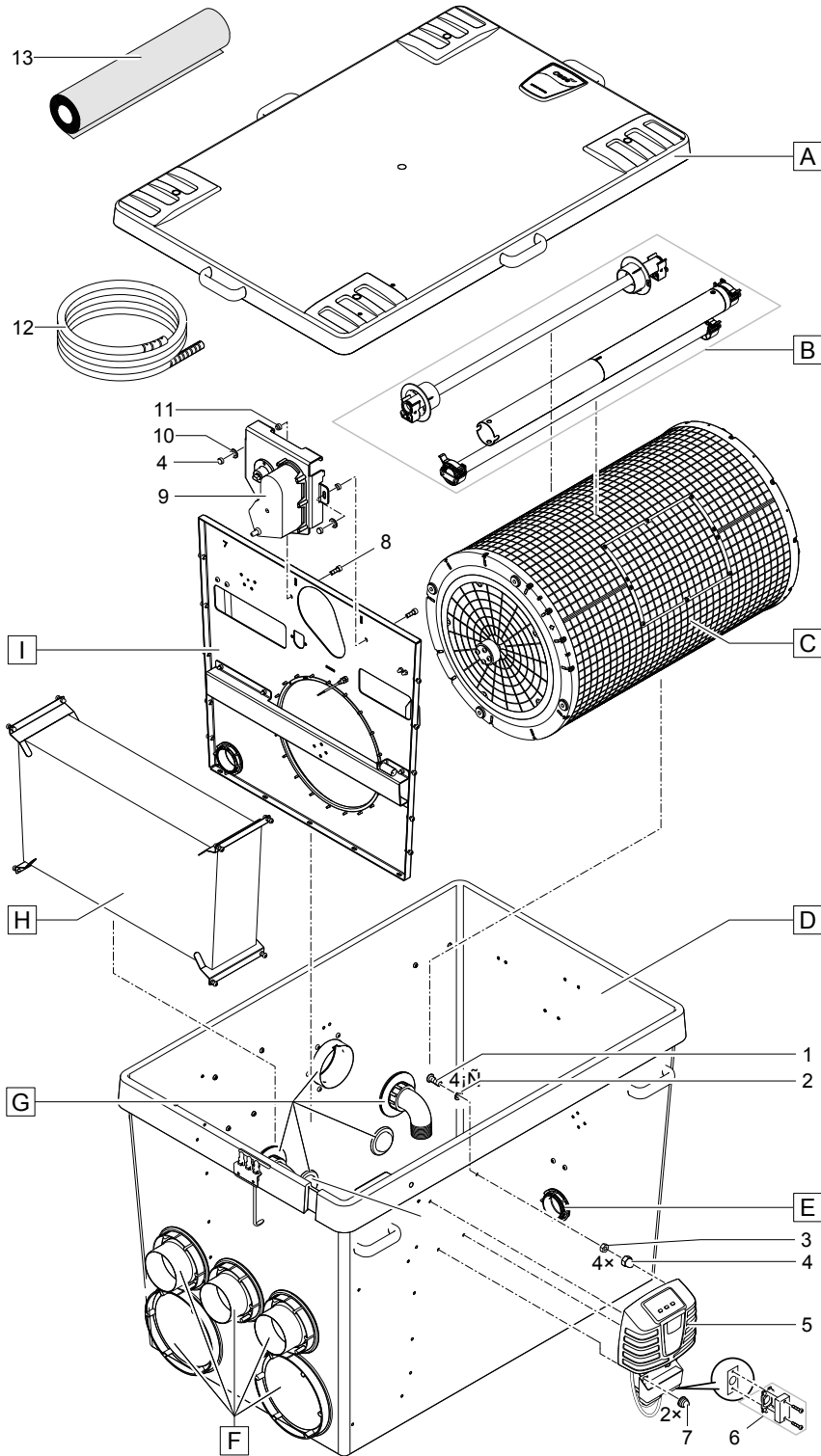


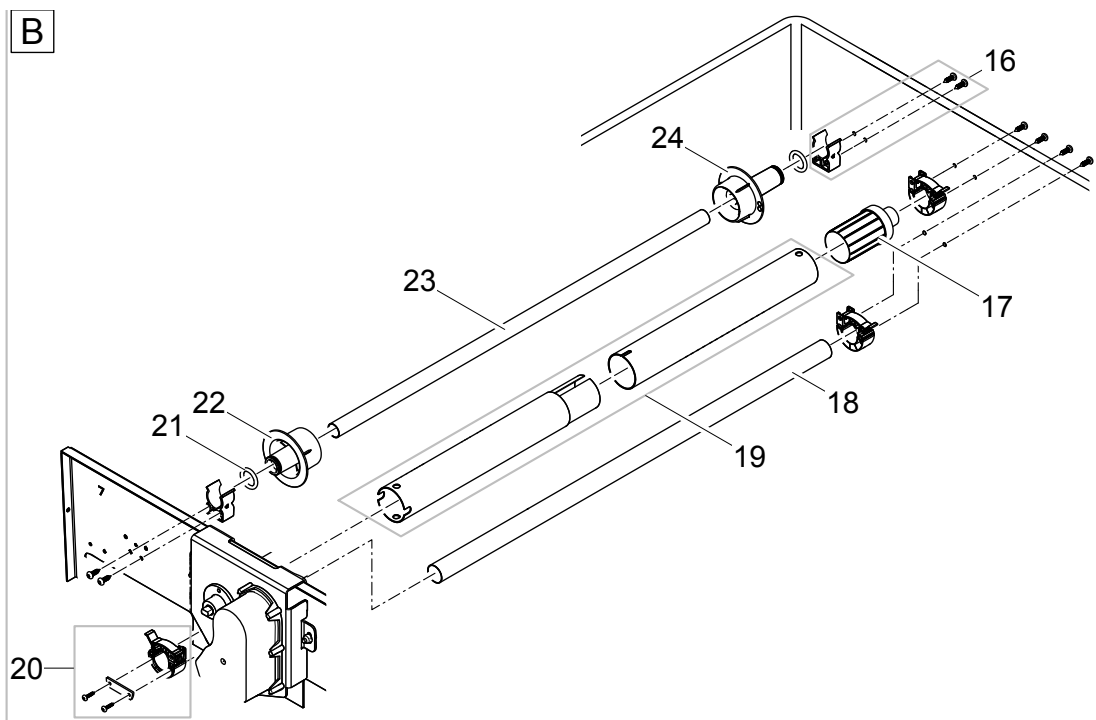
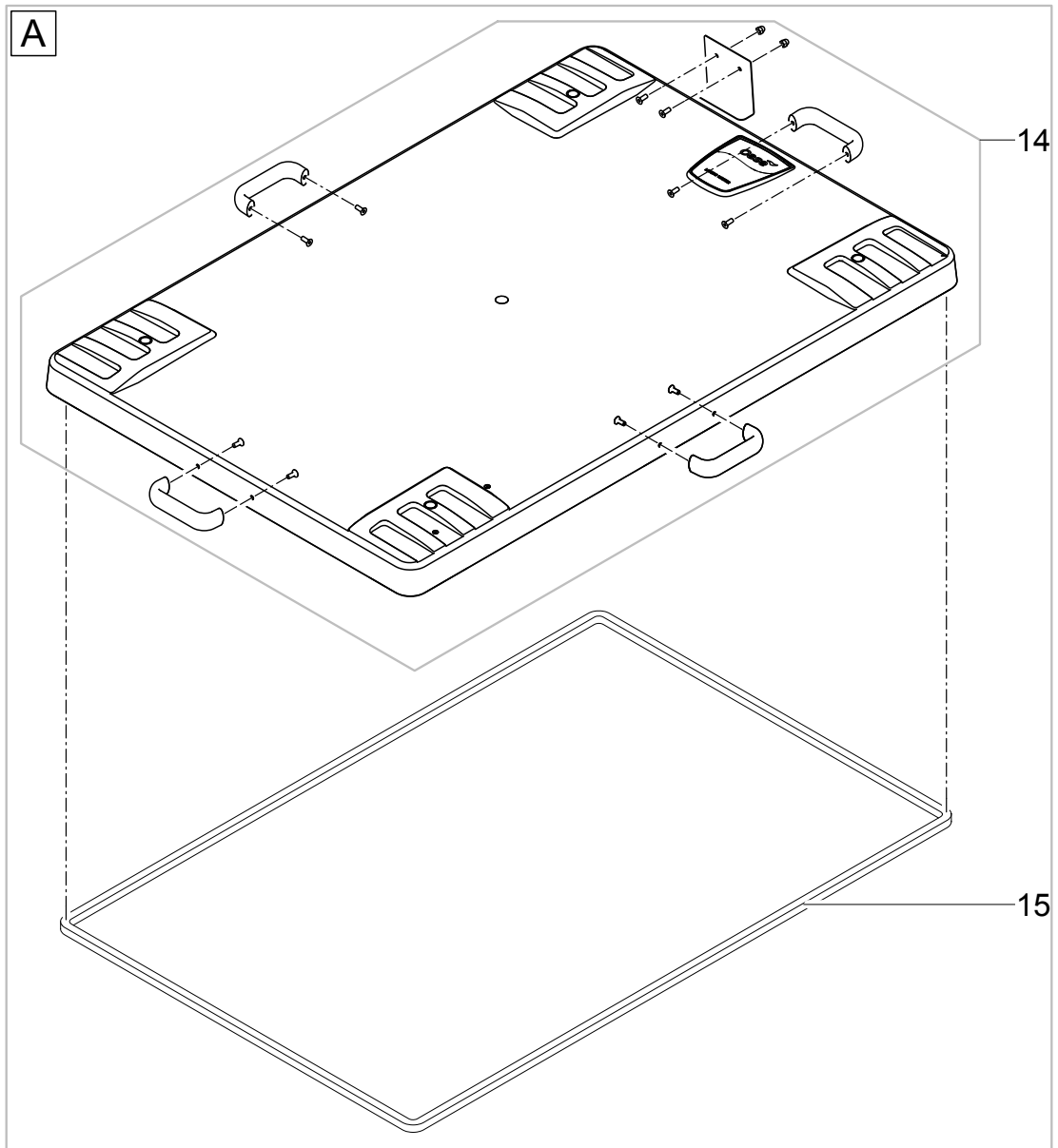


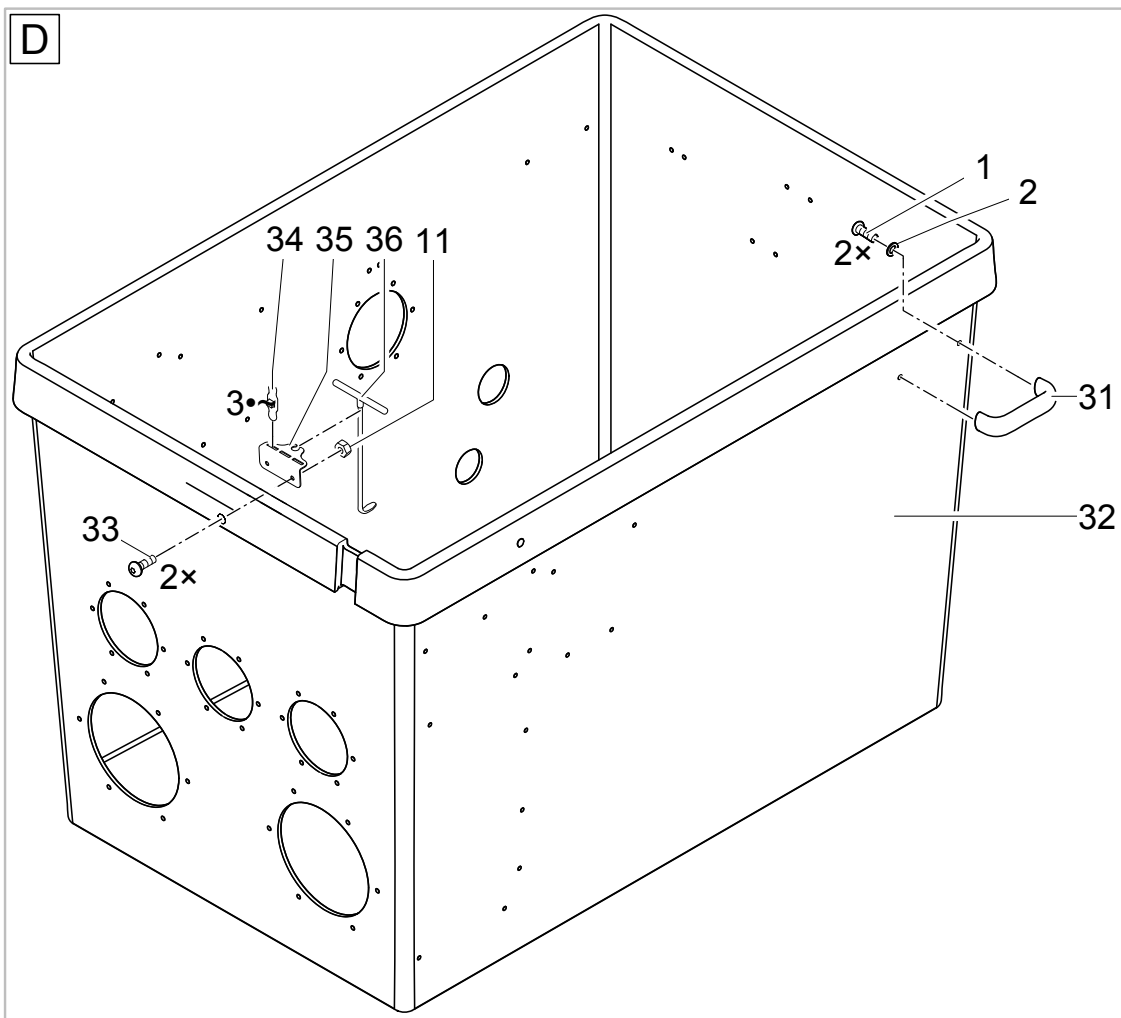
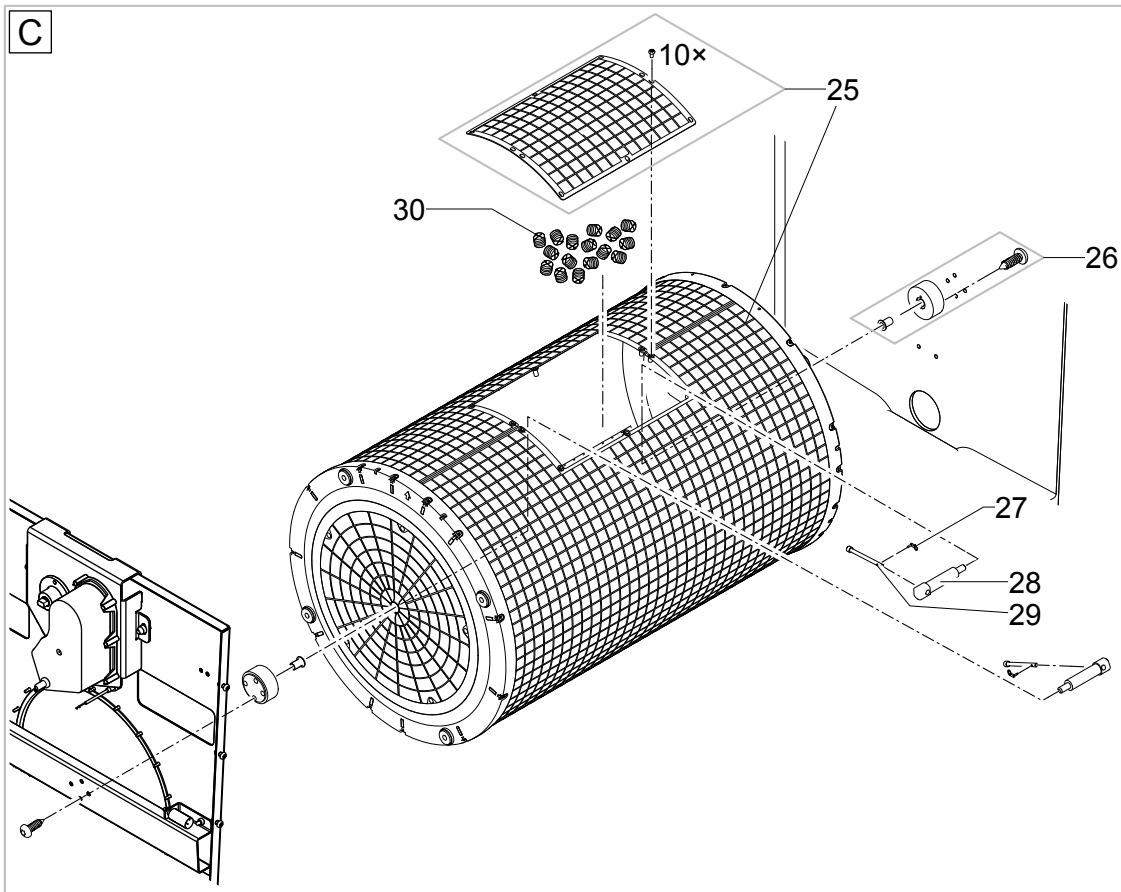
| Pos. | Item no. Product | Product | Item no. Spare part | Spare part | Number |
|------|---------------------|-------------------------------------|------------------------|--|--------|
| 1 | 75218 | ProfiClear Premium Fleece 500 [INT] | 77261 | Screw Torx V2A ISO14583 M6x25 Gleitmo615 | 1 |
| 2 | 75218 | ProfiClear Premium Fleece 500 [INT] | 20609 | Fiberplate DIN 7603 6 x 12 x 1 mm | 1 |
| 3 | 75218 | ProfiClear Premium Fleece 500 [INT] | 6105 | Hexagon nut V2A DIN 934 M6 | 1 |
| 4 | 75218 | ProfiClear Premium Fleece 500 [INT] | 84945 | Cap nut V4A DIN 1587 M6 | 1 |
| 5 | 75218 | ProfiClear Premium Fleece 500 [INT] | 91499 | Spare controller fleece filter | 1 |
| 6 | 75218 | ProfiClear Premium Fleece 500 [INT] | 43867 | Spare set ASM gland seal | 1 |
| 7 | 75218 | ProfiClear Premium Fleece 500 [INT] | 49847 | Cover cap nut M6 | 1 |
| 8 | 75218 | ProfiClear Premium Fleece 500 [INT] | 77263 | Screw Torx V2A ISO14583 M6x20 Gleitmo615 | 1 |
| 9 | 75218 | ProfiClear Premium Fleece 500 [INT] | 93174 | Spare ASM motor fleece filter | 1 |
| 10 | 75218 | ProfiClear Premium Fleece 500 [INT] | 6143 | Washer VA DIN 9021 6.4 | 1 |
| 11 | 75218 | ProfiClear Premium Fleece 500 [INT] | 6128 | Lock nut V2A DIN 985 M6 | 1 |
| 12 | 75218 | ProfiClear Premium Fleece 500 [INT] | 11979 | Cable protection Quintet / drum filter | - |
| 13 | 75218 | ProfiClear Premium Fleece 500 [INT] | 90823 | Replacement fleece 500 | 1 |
| 14 | 75218 | ProfiClear Premium Fleece 500 [INT] | 77718 | ASM cover fleece filter | 1 |
| 15 | 75218 | ProfiClear Premium Fleece 500 [INT] | 92829 | Add. pack cover seal fleece filter | 1 |
| 16 | 75218 | ProfiClear Premium Fleece 500 [INT] | 93175 | Spare roller bearing fleece unwinding | 1 |
| 17 | 75218 | ProfiClear Premium Fleece 500 [INT] | 89397 | Fleece rewinder shaft | 1 |
| 18 | 75218 | ProfiClear Premium Fleece 500 [INT] | 90427 | Guide roller tube 500 | 1 |
| 19 | 75218 | ProfiClear Premium Fleece 500 [INT] | 90527 | Reusable sleeve 500 fleece filter | 1 |
| 20 | 75218 | ProfiClear Premium Fleece 500 [INT] | 92978 | Spare roller bearing fleece filter | 1 |
| 21 | 75218 | ProfiClear Premium Fleece 500 [INT] | 92265 | O-Ring FKM 25 x 3 SH75 A | 1 |
| 22 | 75218 | ProfiClear Premium Fleece 500 [INT] | 78293 | Fleece unwinding shaft short | 1 |
| 23 | 75218 | ProfiClear Premium Fleece 500 [INT] | 86353 | Fleece unwinding pipe 500 | 1 |
| 24 | 75218 | ProfiClear Premium Fleece 500 [INT] | 78286 | Fleece unwinding shaft long | 1 |
| 25 | 75218 | ProfiClear Premium Fleece 500 [INT] | 92975 | Spare fleece drum 500 | 1 |
| 26 | 75218 | ProfiClear Premium Fleece 500 [INT] | 18791 | Spare drum bearing drum filter | 1 |
| 27 | 75218 | ProfiClear Premium Fleece 500 [INT] | 90525 | Spring cotter pin fleece filter drum | 1 |
| 28 | 75218 | ProfiClear Premium Fleece 500 [INT] | 78284 | Drum shaft fleece filter | 1 |
| 29 | 75218 | ProfiClear Premium Fleece 500 [INT] | 90524 | Splint drum fleece filter | 1 |
| 30 | 75218 | ProfiClear Premium Fleece 500 [INT] | 92875 | Hel-X 36 Biomedica 36 I | 1 |
| 31 | 75218 | ProfiClear Premium Fleece 500 [INT] | 35676 | Strap grip PA black | 1 |
| 32 | 75218 | ProfiClear Premium Fleece 500 [INT] | 77572 | Container fleece filter 500 pumped | 1 |
| 33 | 75218 | ProfiClear Premium Fleece 500 [INT] | 77260 | Screw Torx V2A ISO14583 M6x16 Gleitmo615 | 1 |
| 34 | 75218 | ProfiClear Premium Fleece 500 [INT] | 91689 | Clip fleece filter | 1 |
| 35 | 75218 | ProfiClear Premium Fleece 500 [INT] | 92662 | Mounting plate accessories fleece filter | 1 |
| 36 | 75218 | ProfiClear Premium Fleece 500 [INT] | 92831 | Pull hook reusable sleeve | 1 |
| 37 | 75218 | ProfiClear Premium Fleece 500 [INT] | 70636 | Spare drain DN75 XL | 1 |
| 38 | 75218 | ProfiClear Premium Fleece 500 [INT] | 18448 | spare screw set drain DN75 Premium | 1 |
| 39 | 75218 | ProfiClear Premium Fleece 500 [INT] | 70428 | Oval head screw Torx V2A ISO14585 6.3x32 | 1 |
| 40 | 75218 | ProfiClear Premium Fleece 500 [INT] | 43756 | Gasket mesh tube 2016 | 1 |
| 41 | 75218 | ProfiClear Premium Fleece 500 [INT] | 27175 | Plug 150 ProfiClear | 1 |
| 42 | 75218 | ProfiClear Premium Fleece 500 [INT] | 26958 | Outlet 150/1 ProfiClear M 2 - M 5 | 1 |
| 43 | 75218 | ProfiClear Premium Fleece 500 [INT] | 16387 | Blanking cap DN 110 | 1 |
| 44 | 75218 | ProfiClear Premium Fleece 500 [INT] | 77507 | Spare connection set DN110 short | 1 |
| 45 | 75218 | ProfiClear Premium Fleece 500 [INT] | 15655 | Connection bend 2"/ 90° | 1 |
| 46 | 75218 | ProfiClear Premium Fleece 500 [INT] | 18798 | Spare grommet drum filter pump-fed | 1 |
| 47 | 75218 | ProfiClear Premium Fleece 500 [INT] | 48183 | Check valve 2" | 1 |
| 48 | 75218 | ProfiClear Premium Fleece 500 [INT] | 35570 | Replacement Plug | 1 |
| 49 | 75218 | ProfiClear Premium Fleece 500 [INT] | 19005 | ASM connection set DN 110 | 1 |

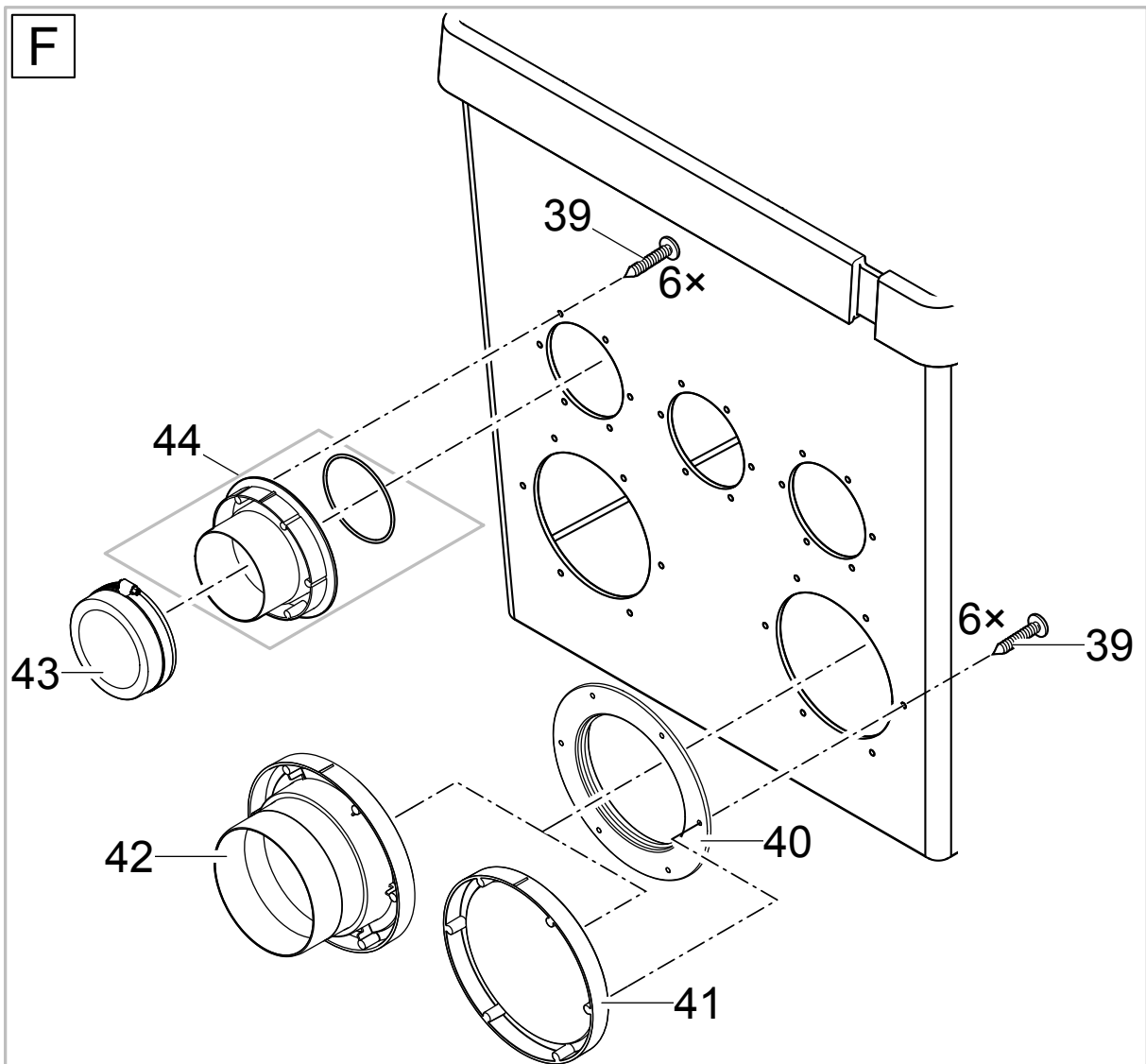
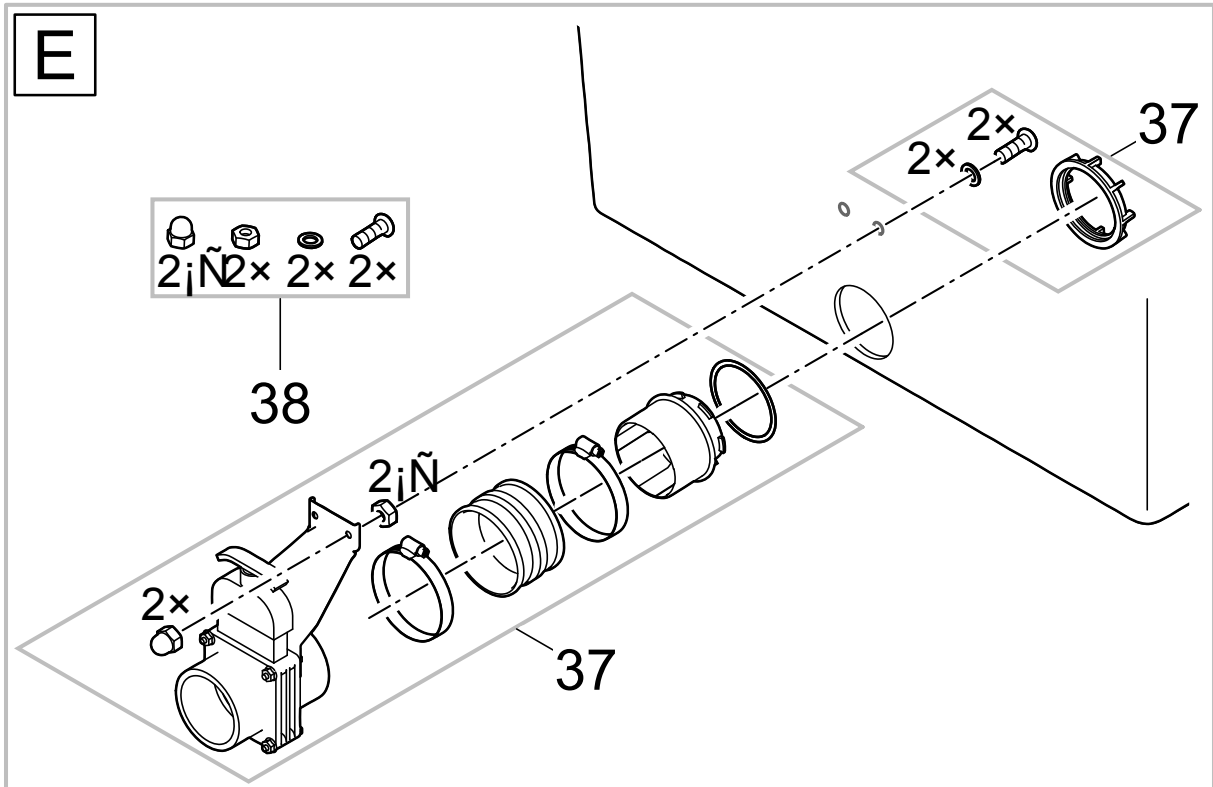
| Pos. | Item no. Product | Product | Item no. Spare part | Spare part | Number |
|------|---------------------|-------------------------------------|------------------------|--|--------|
| 50 | 75218 | ProfiClear Premium Fleece 500 [INT] | 91461 | Clear Wave L 150 fleece filter | 1 |
| 51 | 75218 | ProfiClear Premium Fleece 500 [INT] | 90519 | Clear Wave L 100 fleece filter | 1 |
| 52 | 75218 | ProfiClear Premium Fleece 500 [INT] | 74547 | Holder Clear Wave L | 1 |
| 53 | 75218 | ProfiClear Premium Fleece 500 [INT] | 93176 | Spare handle holder slide FF | 1 |
| 54 | 75218 | ProfiClear Premium Fleece 500 [INT] | 90411 | ASM inter slide fleece filter | 1 |
| 55 | 75218 | ProfiClear Premium Fleece 500 [INT] | 19023 | O-Ring EPDM 6 x 1.5 SH70 A | 1 |
| 56 | 75218 | ProfiClear Premium Fleece 500 [INT] | 19402 | Cable holder drum filter | 1 |
| 57 | 75218 | ProfiClear Premium Fleece 500 [INT] | 88456 | Drum gasket for fleece filter | 1 |
| 58 | 75218 | ProfiClear Premium Fleece 500 [INT] | 90420 | Guide cap float switch | 1 |
| 59 | 75218 | ProfiClear Premium Fleece 500 [INT] | 54618 | Mounting plate float sw. PCP-L pump 2017 | 1 |
| 60 | 75218 | ProfiClear Premium Fleece 500 [INT] | 92973 | Spare seperating wall fleece filter 500 | 1 |
| 61 | 75218 | ProfiClear Premium Fleece 500 [INT] | 21026 | Cylinder screw V4A DIN 912 M4 x 25 | 1 |
| 62 | 75218 | ProfiClear Premium Fleece 500 [INT] | 77842 | ASM signal box fleece filter pumped | 1 |
| 63 | 75218 | ProfiClear Premium Fleece 500 [INT] | 6133 | Washer V2A DIN 125 4.3 | 1 |
| 64 | 75218 | ProfiClear Premium Fleece 500 [INT] | 11113 | Safety nut V2A DIN 985 M4 | 1 |
| 65 | 75218 | ProfiClear Premium Fleece 500 [INT] | 92977 | Spare drum bearing truss fleece filter | 1 |

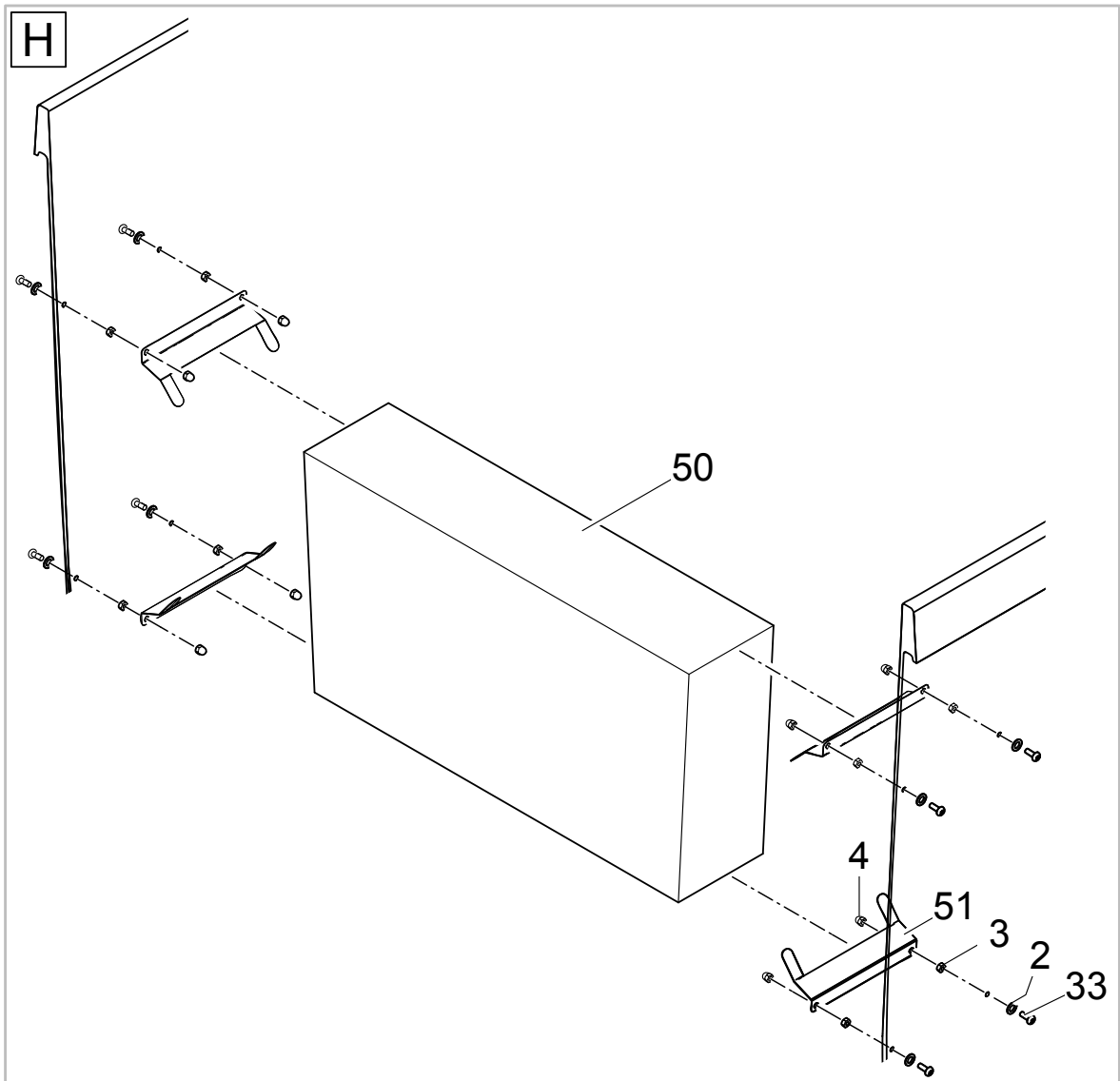
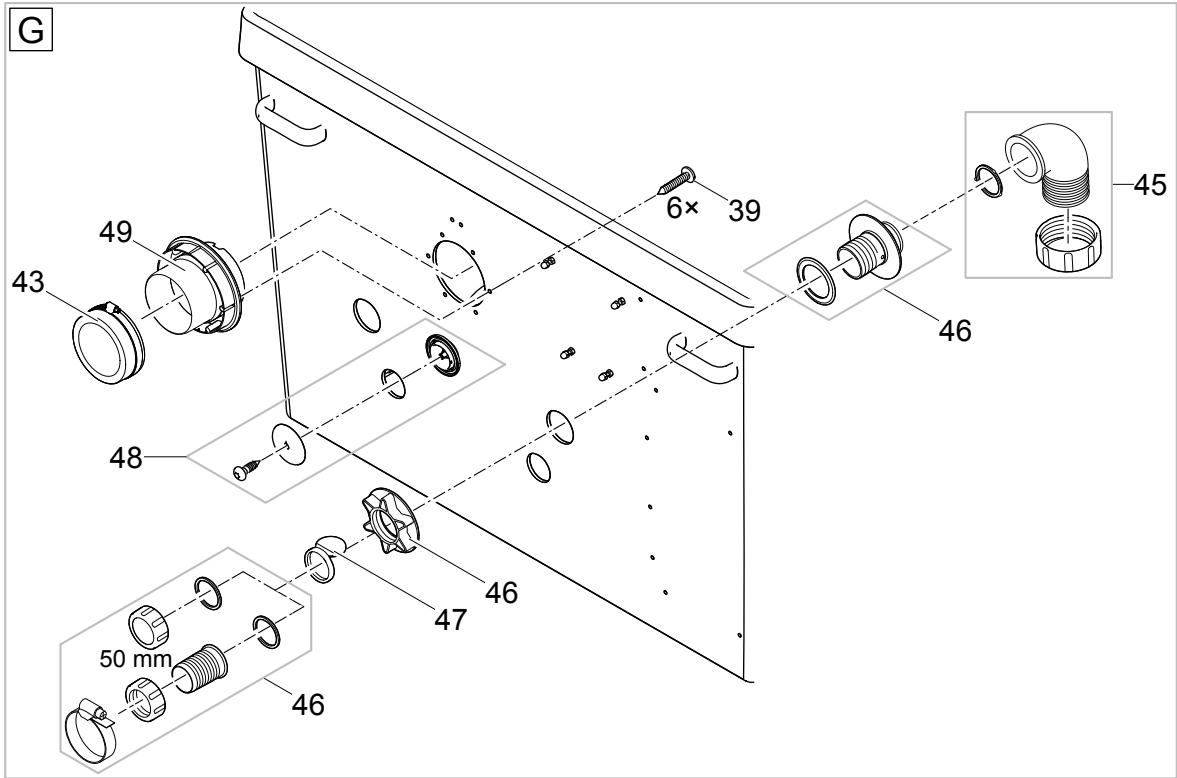
| Item no. | Product |
|----------|-------------------------------|
| 75219 | ProfiClear Premium Fleece 750 |

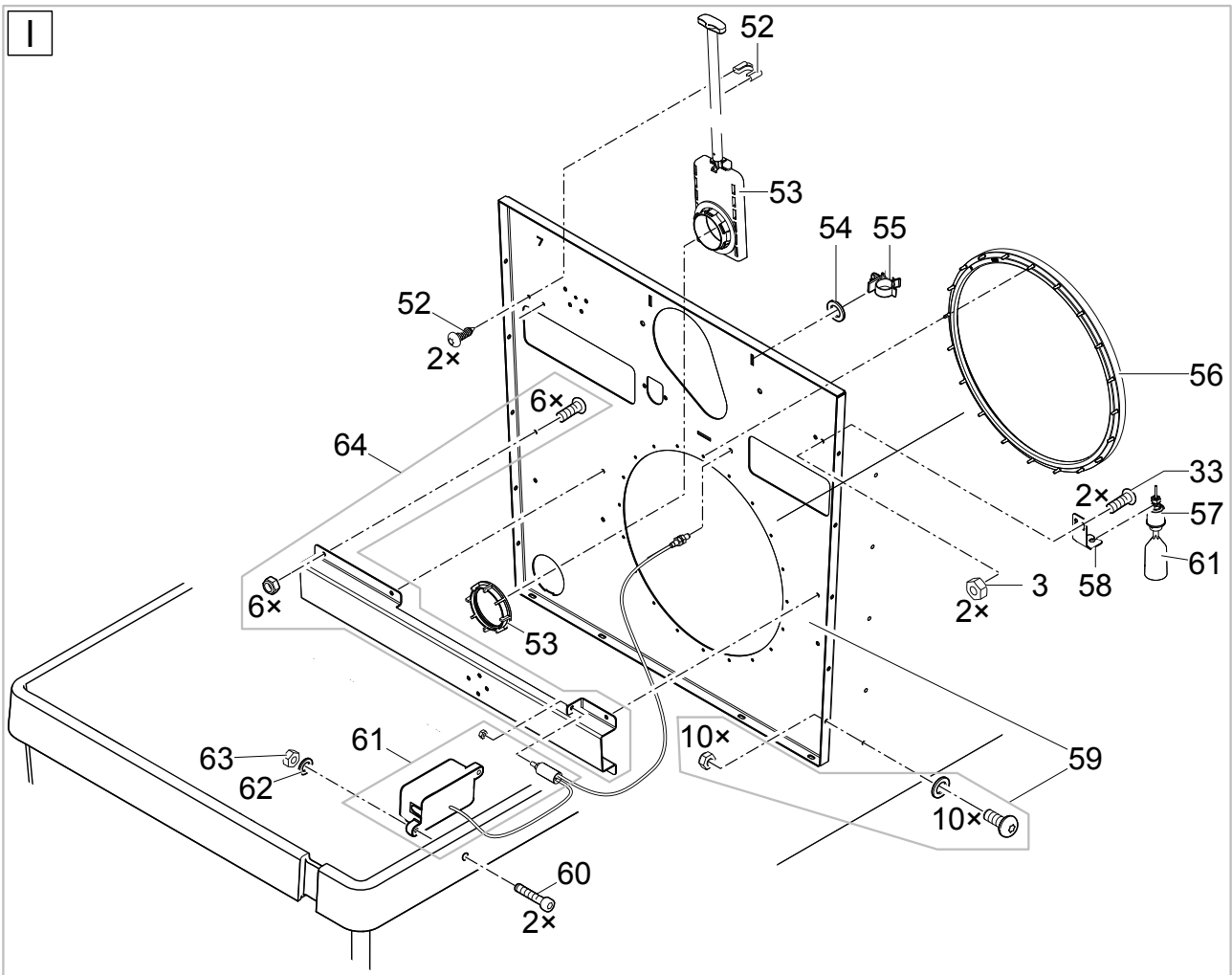








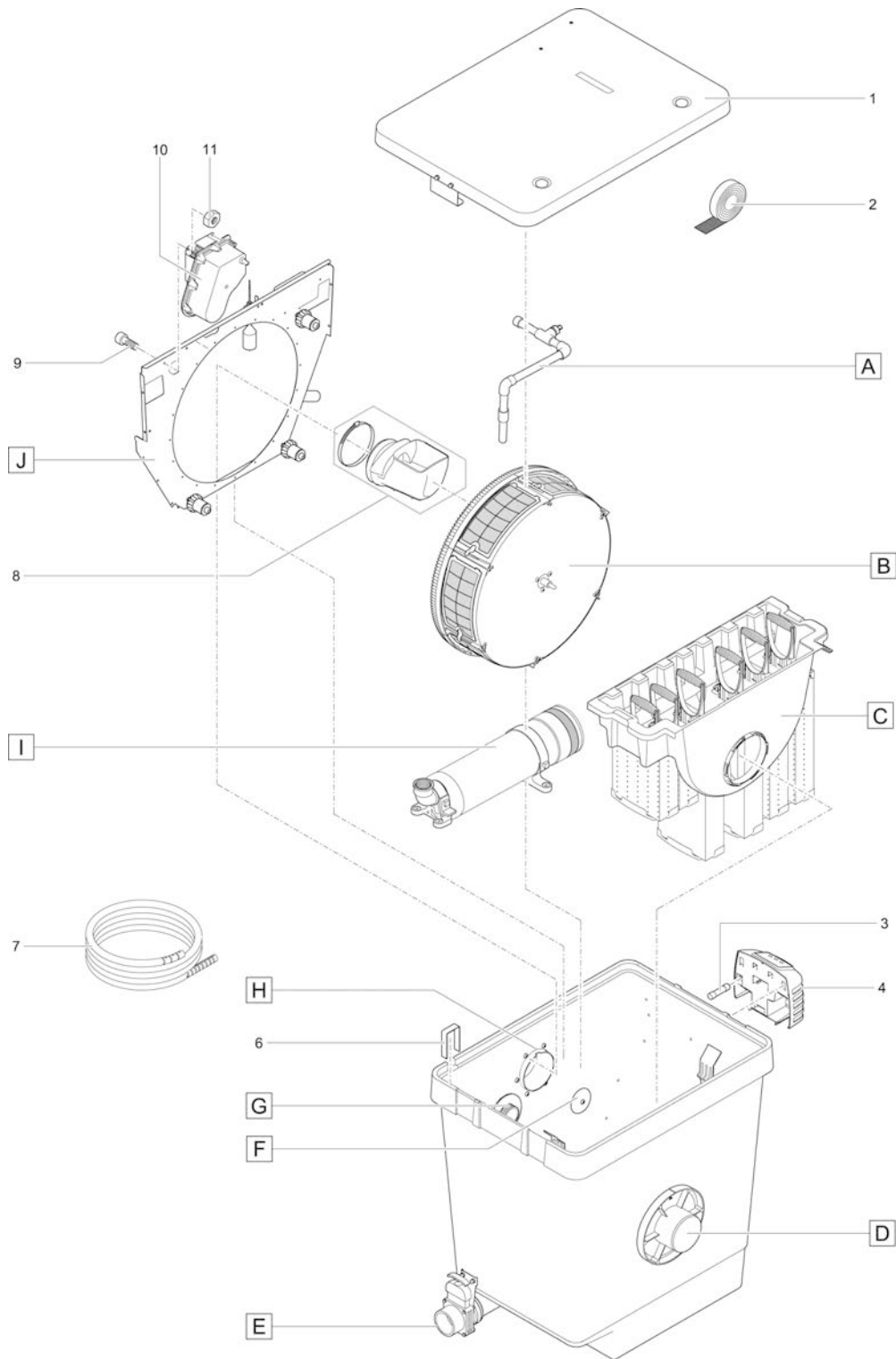


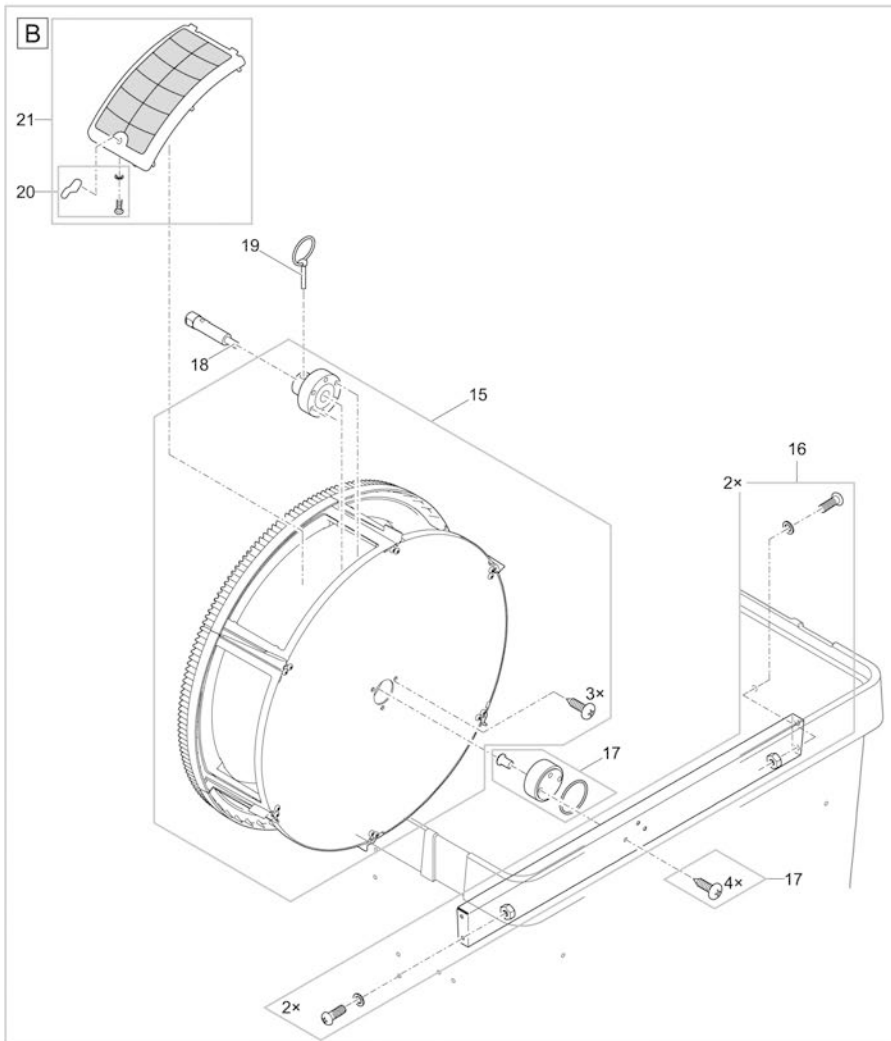
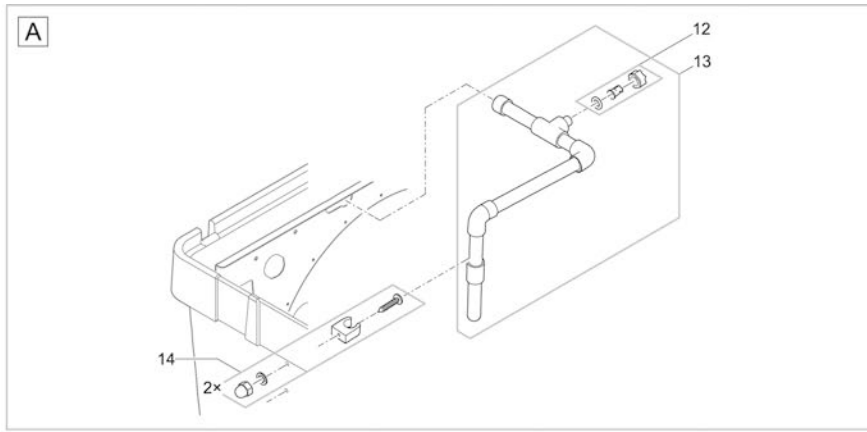


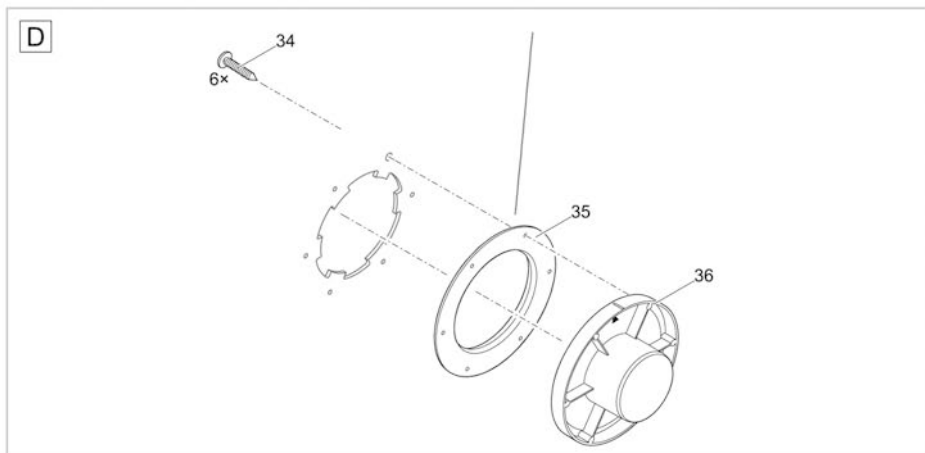
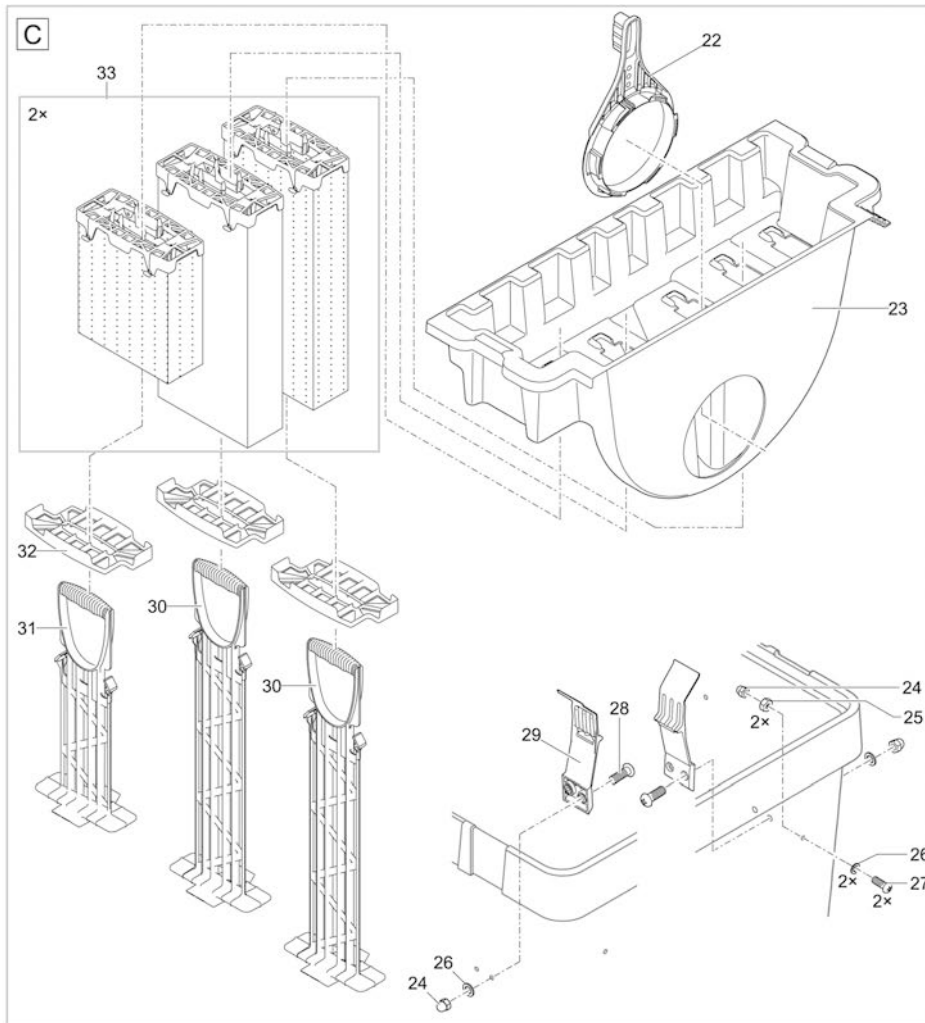
| Pos. | Item no. Product | Product | Item no. Spare part | Spare part | Number |
|------|---------------------|-------------------------------------|------------------------|--|--------|
| 1 | 75219 | ProfiClear Premium Fleece 750 [INT] | 77261 | Screw Torx V2A ISO14583 M6x25 Gleitmo615 | 1 |
| 2 | 75219 | ProfiClear Premium Fleece 750 [INT] | 20609 | Fiberplate DIN 7603 6 x 12 x 1 mm | 1 |
| 3 | 75219 | ProfiClear Premium Fleece 750 [INT] | 6105 | Hexagon nut V2A DIN 934 M6 | 1 |
| 4 | 75219 | ProfiClear Premium Fleece 750 [INT] | 84945 | Cap nut V4A DIN 1587 M6 | 1 |
| 5 | 75219 | ProfiClear Premium Fleece 750 [INT] | 91499 | Spare controller fleece filter | 1 |
| 6 | 75219 | ProfiClear Premium Fleece 750 [INT] | 43867 | Spare set ASM gland seal | 1 |
| 7 | 75219 | ProfiClear Premium Fleece 750 [INT] | 49847 | Cover cap nut M6 | 1 |
| 8 | 75219 | ProfiClear Premium Fleece 750 [INT] | 77263 | Screw Torx V2A ISO14583 M6x20 Gleitmo615 | 1 |
| 9 | 75219 | ProfiClear Premium Fleece 750 [INT] | 93174 | Spare ASM motor fleece filter | 1 |
| 10 | 75219 | ProfiClear Premium Fleece 750 [INT] | 6143 | Washer VA DIN 9021 6.4 | 1 |
| 11 | 75219 | ProfiClear Premium Fleece 750 [INT] | 6128 | Lock nut V2A DIN 985 M6 | 1 |
| 12 | 75219 | ProfiClear Premium Fleece 750 [INT] | 11979 | Cable protection Quintet / drum filter | - |
| 13 | 75219 | ProfiClear Premium Fleece 750 [INT] | 90824 | Replacement fleece 750 | 1 |
| 14 | 75219 | ProfiClear Premium Fleece 750 [INT] | 77718 | ASM cover fleece filter | 1 |
| 15 | 75219 | ProfiClear Premium Fleece 750 [INT] | 92829 | Add. pack cover seal fleece filter | 1 |
| 16 | 75219 | ProfiClear Premium Fleece 750 [INT] | 93175 | Spare roller bearing fleece unwinding | 1 |
| 17 | 75219 | ProfiClear Premium Fleece 750 [INT] | 89397 | Fleece rewinder shaft | 1 |
| 18 | 75219 | ProfiClear Premium Fleece 750 [INT] | 90428 | Guide roller tube 750 | 1 |
| 19 | 75219 | ProfiClear Premium Fleece 750 [INT] | 90528 | Reusable sleeve 750 fleece filter | 1 |
| 20 | 75219 | ProfiClear Premium Fleece 750 [INT] | 92978 | Spare roller bearing fleece filter | 1 |
| 21 | 75219 | ProfiClear Premium Fleece 750 [INT] | 92265 | O-Ring FKM 25 x 3 SH75 A | 1 |
| 22 | 75219 | ProfiClear Premium Fleece 750 [INT] | 78293 | Fleece unwinding shaft short | 1 |
| 23 | 75219 | ProfiClear Premium Fleece 750 [INT] | 87774 | Fleece unwinding pipe 750 | 1 |
| 24 | 75219 | ProfiClear Premium Fleece 750 [INT] | 78286 | Fleece unwinding shaft long | 1 |
| 25 | 75219 | ProfiClear Premium Fleece 750 [INT] | 92976 | Spare fleece drum 750 | 1 |
| 26 | 75219 | ProfiClear Premium Fleece 750 [INT] | 18791 | Spare drum bearing drum filter | 1 |
| 27 | 75219 | ProfiClear Premium Fleece 750 [INT] | 90525 | Spring cotter pin fleece filter drum | 1 |
| 28 | 75219 | ProfiClear Premium Fleece 750 [INT] | 78284 | Drum shaft fleece filter | 1 |
| 29 | 75219 | ProfiClear Premium Fleece 750 [INT] | 90524 | Splint drum fleece filter | 1 |
| 30 | 75219 | ProfiClear Premium Fleece 750 [INT] | 92875 | Hel-X 36 Biomedica 36 I | 1 |
| 31 | 75219 | ProfiClear Premium Fleece 750 [INT] | 35676 | Strap grip PA black | 1 |
| 32 | 75219 | ProfiClear Premium Fleece 750 [INT] | 77670 | Container fleece filter 750 pumped | 1 |
| 33 | 75219 | ProfiClear Premium Fleece 750 [INT] | 77260 | Screw Torx V2A ISO14583 M6x16 Gleitmo615 | 1 |
| 34 | 75219 | ProfiClear Premium Fleece 750 [INT] | 91689 | Clip fleece filter | 1 |
| 35 | 75219 | ProfiClear Premium Fleece 750 [INT] | 92662 | Mounting plate accessories fleece filter | 1 |
| 36 | 75219 | ProfiClear Premium Fleece 750 [INT] | 92831 | Pull hook reusable sleeve | 1 |
| 37 | 75219 | ProfiClear Premium Fleece 750 [INT] | 70636 | Spare drain DN75 XL | 1 |
| 38 | 75219 | ProfiClear Premium Fleece 750 [INT] | 18448 | spare screw set drain DN75 Premium | 1 |
| 39 | 75219 | ProfiClear Premium Fleece 750 [INT] | 70428 | Oval head screw Torx V2A ISO14585 6.3x32 | 1 |
| 40 | 75219 | ProfiClear Premium Fleece 750 [INT] | 43756 | Gasket mesh tube 2016 | 1 |
| 41 | 75219 | ProfiClear Premium Fleece 750 [INT] | 27175 | Plug 150 ProfiClear | 1 |
| 42 | 75219 | ProfiClear Premium Fleece 750 [INT] | 26958 | Outlet 150/1 ProfiClear M 2 - M 5 | 1 |
| 43 | 75219 | ProfiClear Premium Fleece 750 [INT] | 16387 | Blanking cap DN 110 | 1 |
| 44 | 75219 | ProfiClear Premium Fleece 750 [INT] | 77507 | Spare connection set DN110 short | 1 |
| 45 | 75219 | ProfiClear Premium Fleece 750 [INT] | 15655 | Connection bend 2" / 90° | 1 |
| 46 | 75219 | ProfiClear Premium Fleece 750 [INT] | 18798 | Spare grommet drum filter pump-fed | 1 |
| 47 | 75219 | ProfiClear Premium Fleece 750 [INT] | 48183 | Check valve 2" | 1 |
| 48 | 75219 | ProfiClear Premium Fleece 750 [INT] | 35570 | Replacement Plug | 1 |
| 49 | 75219 | ProfiClear Premium Fleece 750 [INT] | 19005 | ASM connection set DN 110 | 1 |

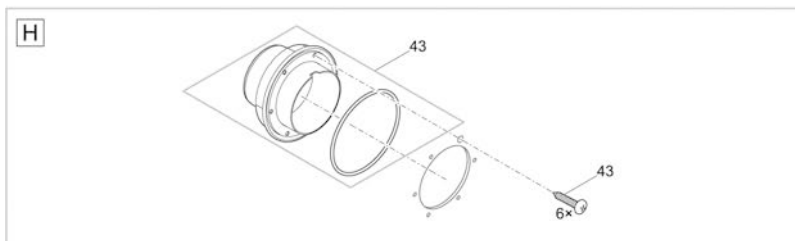
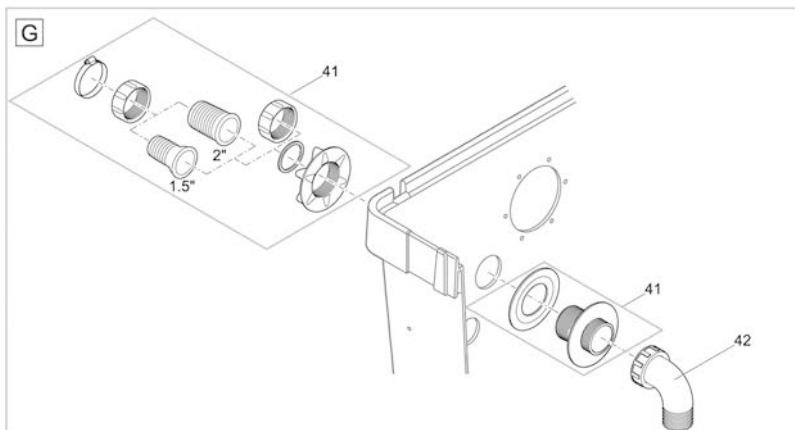
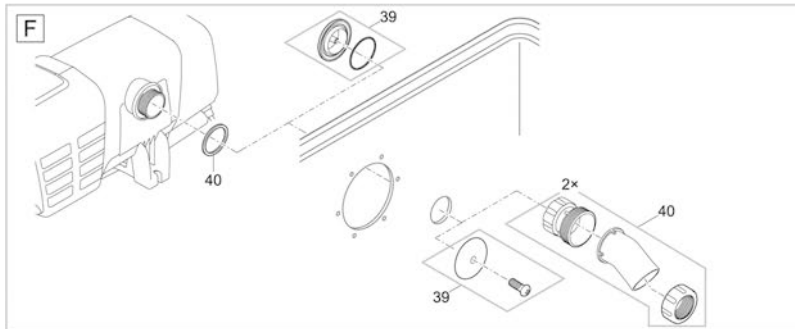
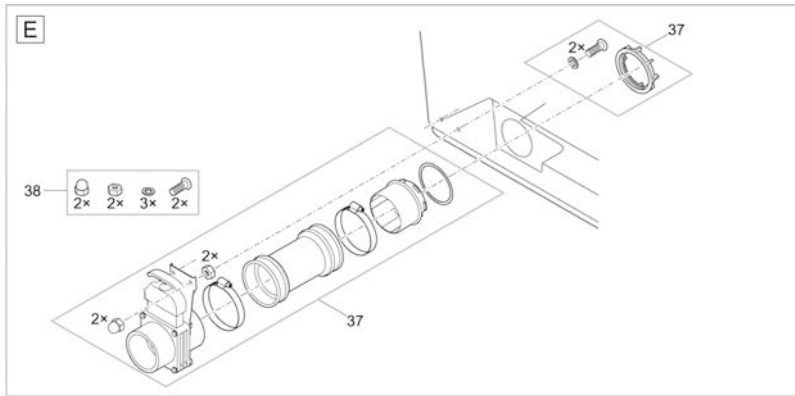
| Pos. | Item no. Product | Product | Item no. Spare part | Spare part | Number |
|------|---------------------|-------------------------------------|------------------------|--|--------|
| 50 | 75219 | ProfiClear Premium Fleece 750 [INT] | 91461 | Clear Wave L 150 fleece filter | 1 |
| 51 | 75219 | ProfiClear Premium Fleece 750 [INT] | 90424 | Holder Clear Wave fleece filter 750 | 1 |
| 52 | 75219 | ProfiClear Premium Fleece 750 [INT] | 93176 | Spare handle holder slide FF | 1 |
| 53 | 75219 | ProfiClear Premium Fleece 750 [INT] | 90411 | ASM inter slide fleece filter | 1 |
| 54 | 75219 | ProfiClear Premium Fleece 750 [INT] | 19023 | O-Ring EPDM 6 x 1.5 SH70 A | 1 |
| 55 | 75219 | ProfiClear Premium Fleece 750 [INT] | 19402 | Cable holder drum filter | 1 |
| 56 | 75219 | ProfiClear Premium Fleece 750 [INT] | 88456 | Drum gasket for fleece filter | 1 |
| 57 | 75219 | ProfiClear Premium Fleece 750 [INT] | 90420 | Guide cap float switch | 1 |
| 58 | 75219 | ProfiClear Premium Fleece 750 [INT] | 54618 | Mounting plate float sw. PCP-L pump 2017 | 1 |
| 59 | 75219 | ProfiClear Premium Fleece 750 [INT] | 92974 | Spare seperating wall fleece filter 750 | 1 |
| 60 | 75219 | ProfiClear Premium Fleece 750 [INT] | 21026 | Cylinder screw V4A DIN 912 M4 x 25 | 1 |
| 61 | 75219 | ProfiClear Premium Fleece 750 [INT] | 77842 | ASM signal box fleece filter pumped | 1 |
| 62 | 75219 | ProfiClear Premium Fleece 750 [INT] | 6133 | Washer V2A DIN 125 4.3 | 1 |
| 63 | 75219 | ProfiClear Premium Fleece 750 [INT] | 11113 | Safety nut V2A DIN 985 M4 | 1 |
| 64 | 75219 | ProfiClear Premium Fleece 750 [INT] | 92977 | Spare drum bearing truss fleece filter | 1 |

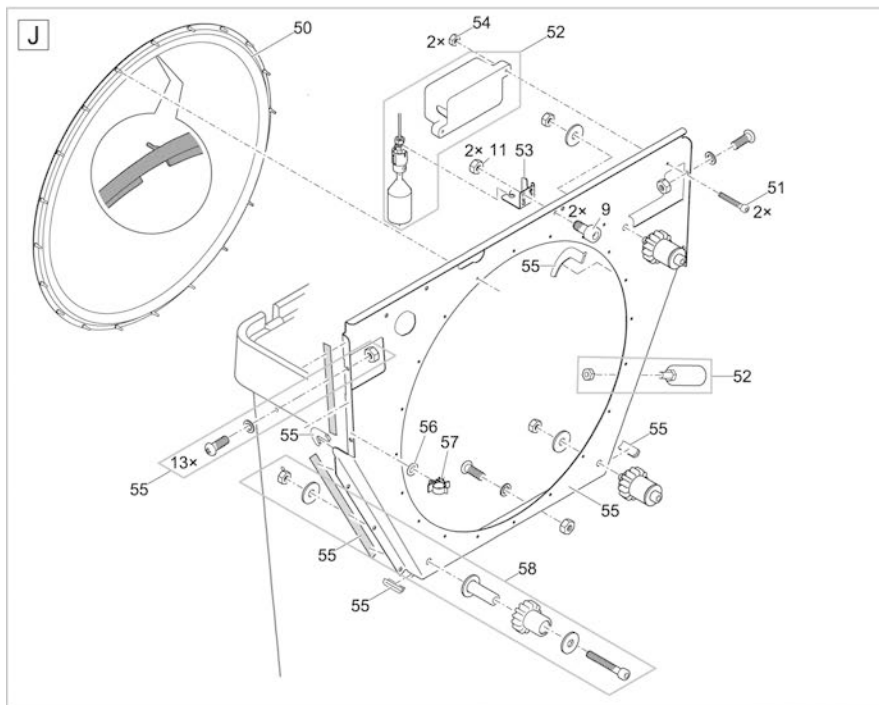
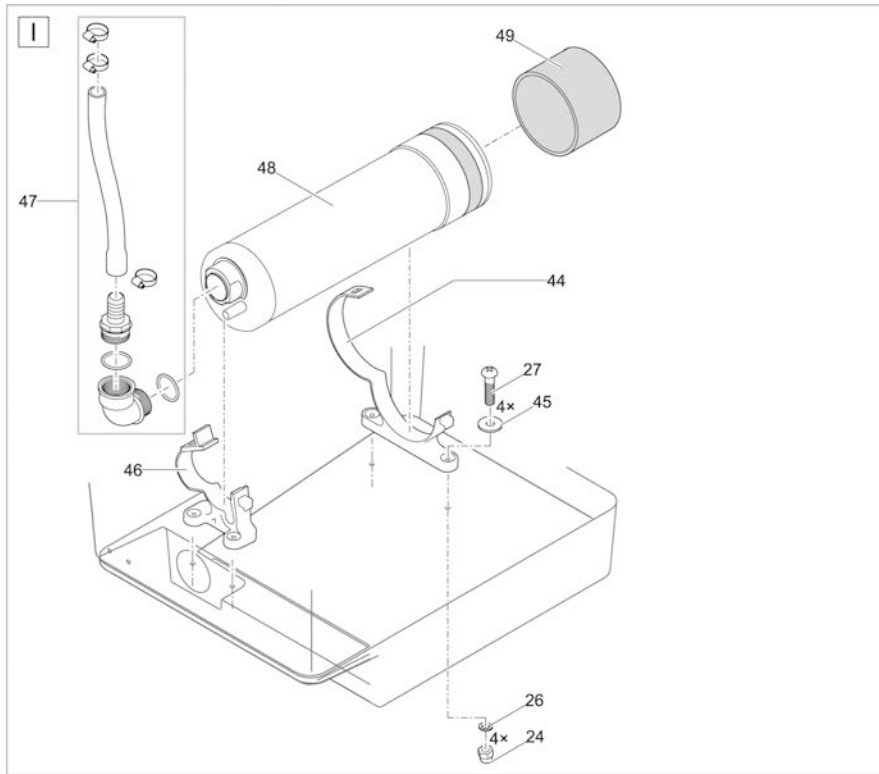
| Item no. | Product |
|----------|-------------------------------------|
| 54850 | BioTec Premium 80000 pump-fed OC |
| 54854 | GB BioTec Premium 80000 pump-fed OC |









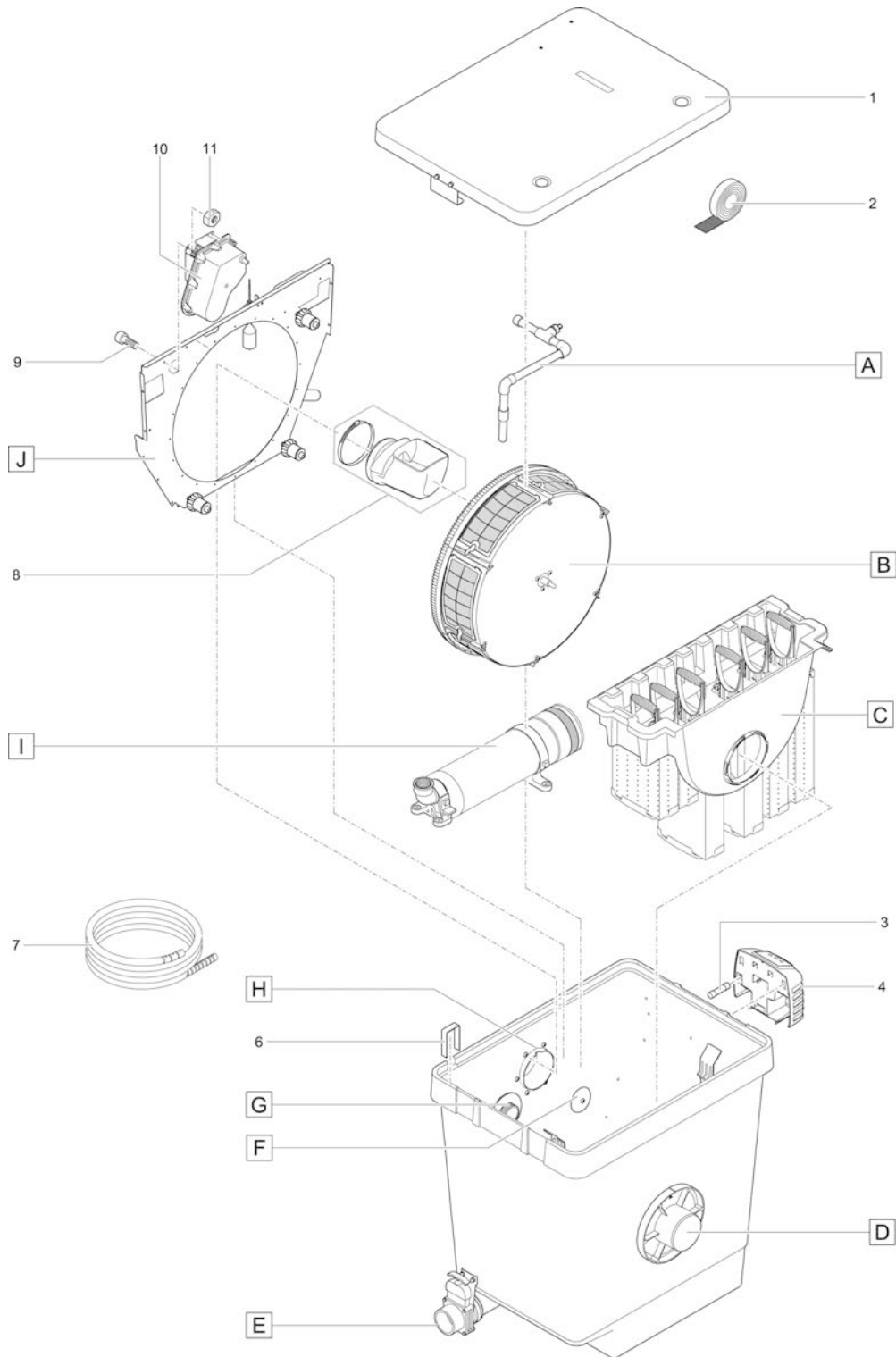


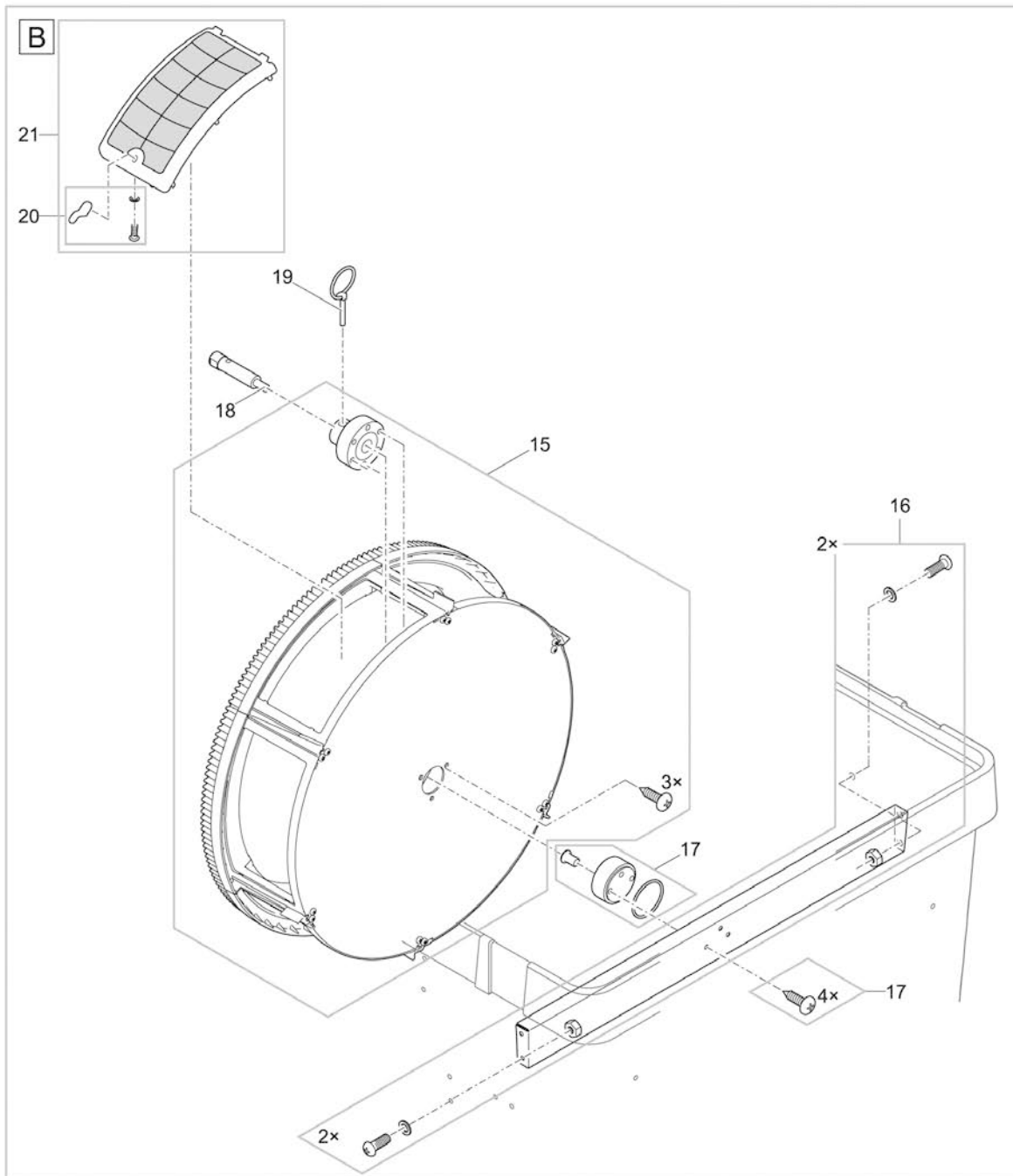
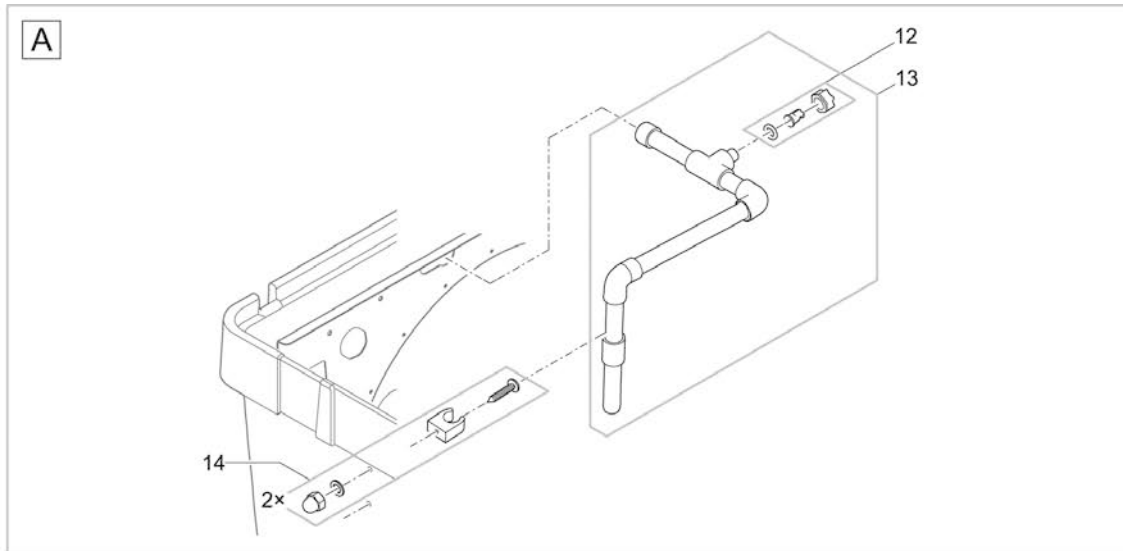
| Pos. | Item no. Product | Product | Item no. Spare part | Spare part | Number |
|------|---------------------|--|------------------------|--|--------|
| 1 | 54850 | BioTec Premium 80000 pump-fed OC [INT] | 18795 | Spare part lid cpl. drum filter | 1 |
| | 54854 | BioTec Premium 80000 pump-fed OC [GB] | | | |
| 2 | 54850 | BioTec Premium 80000 pump-fed OC [INT] | 21981 | Spare cover gasket seal drum filter | 1 |
| | 54854 | BioTec Premium 80000 pump-fed OC [GB] | | | |
| 3 | 54850 | BioTec Premium 80000 pump-fed OC [INT] | 18692 | Fuse T8A 250 V | 1 |
| | 54854 | BioTec Premium 80000 pump-fed OC [GB] | | | |
| 4 | 54850 | BioTec Premium 80000 pump-fed OC [INT] | 47012 | Upgrade-Controller ProfiClear Prem. OC | 1 |
| | 54854 | BioTec Premium 80000 pump-fed OC [GB] | | | |
| 5 | 54850 | BioTec Premium 80000 pump-fed OC [INT] | 54855 | Container BioTec Premium 80000 OC | 1 |
| | 54854 | BioTec Premium 80000 pump-fed OC [GB] | | | |
| 6 | 54850 | BioTec Premium 80000 pump-fed OC [INT] | 18842 | Clip drum filter | 1 |
| | 54854 | BioTec Premium 80000 pump-fed OC [GB] | | | |
| 7 | 54850 | BioTec Premium 80000 pump-fed OC [INT] | 90118 | Spare cable protection 0.85 m | 1 |
| | 54854 | BioTec Premium 80000 pump-fed OC [GB] | | | |
| 8 | 54850 | BioTec Premium 80000 pump-fed OC [INT] | 40022 | ASM waste channel BioTec Premium 80000 | 1 |
| | 54854 | BioTec Premium 80000 pump-fed OC [GB] | | | |
| 9 | 54850 | BioTec Premium 80000 pump-fed OC [INT] | 6128 | Lock nut V2A DIN 985 M6 | 1 |
| | 54854 | BioTec Premium 80000 pump-fed OC [GB] | | | |
| 10 | 54850 | BioTec Premium 80000 pump-fed OC [INT] | 72198 | Spare ASM drum motor pump-fed | 1 |
| | 54854 | BioTec Premium 80000 pump-fed OC [GB] | | | |
| 11 | 54850 | BioTec Premium 80000 pump-fed OC [INT] | 15596 | Screw V4A DIN 912 M6 x 10 | 1 |
| | 54854 | BioTec Premium 80000 pump-fed OC [GB] | | | |
| 12 | 54850 | BioTec Premium 80000 pump-fed OC [INT] | 41471 | Spare nozzle BioTec Premium 80000 | 1 |
| | 54854 | BioTec Premium 80000 pump-fed OC [GB] | | | |
| 13 | 54850 | BioTec Premium 80000 pump-fed OC [INT] | 49842 | ASM cleaning tube BioTec 80000 inject | 1 |
| | 54854 | BioTec Premium 80000 pump-fed OC [GB] | | | |
| 14 | 54850 | BioTec Premium 80000 pump-fed OC [INT] | 41472 | Spare hose bracket BioTec / Compact | 1 |
| | 54854 | BioTec Premium 80000 pump-fed OC [GB] | | | |
| 15 | 54850 | BioTec Premium 80000 pump-fed OC [INT] | 41476 | Spare drum BioTec / Compact | 1 |
| | 54854 | BioTec Premium 80000 pump-fed OC [GB] | | | |
| 16 | 54850 | BioTec Premium 80000 pump-fed OC [INT] | 41887 | Spare drum bearing truss | 1 |
| | 54854 | BioTec Premium 80000 pump-fed OC [GB] | | | |
| 17 | 54850 | BioTec Premium 80000 pump-fed OC [INT] | 18791 | Spare drum bearing drum filter | 1 |
| | 54854 | BioTec Premium 80000 pump-fed OC [GB] | | | |
| 18 | 54850 | BioTec Premium 80000 pump-fed OC [INT] | 16288 | Drum shaft | 1 |
| | 54854 | BioTec Premium 80000 pump-fed OC [GB] | | | |
| 19 | 54850 | BioTec Premium 80000 pump-fed OC [INT] | 19515 | Locking pin V2A DIN 11023 - 6 mm | 1 |
| | 54854 | BioTec Premium 80000 pump-fed OC [GB] | | | |
| 20 | 54850 | BioTec Premium 80000 pump-fed OC [INT] | 41889 | Spare clip drum filter | 1 |
| | 54854 | BioTec Premium 80000 pump-fed OC [GB] | | | |
| 21 | 54850 | BioTec Premium 80000 pump-fed OC [INT] | 41473 | Spare sieve BioTec Premium 80000 125µ | 1 |
| | 54854 | BioTec Premium 80000 pump-fed OC [GB] | | | |
| 22 | 54850 | BioTec Premium 80000 pump-fed OC [INT] | 22629 | Bayonet ring inner cover BioTec 80000 | 1 |
| | 54854 | BioTec Premium 80000 pump-fed OC [GB] | | | |
| 23 | 54850 | BioTec Premium 80000 pump-fed OC [INT] | 22422 | Inner cover BioTec Premium 80000 | 1 |
| | 54854 | BioTec Premium 80000 pump-fed OC [GB] | | | |
| 24 | 54850 | BioTec Premium 80000 pump-fed OC [INT] | 6117 | Cap nut V2A DIN 1587 M6 | 1 |
| | 54854 | BioTec Premium 80000 pump-fed OC [GB] | | | |

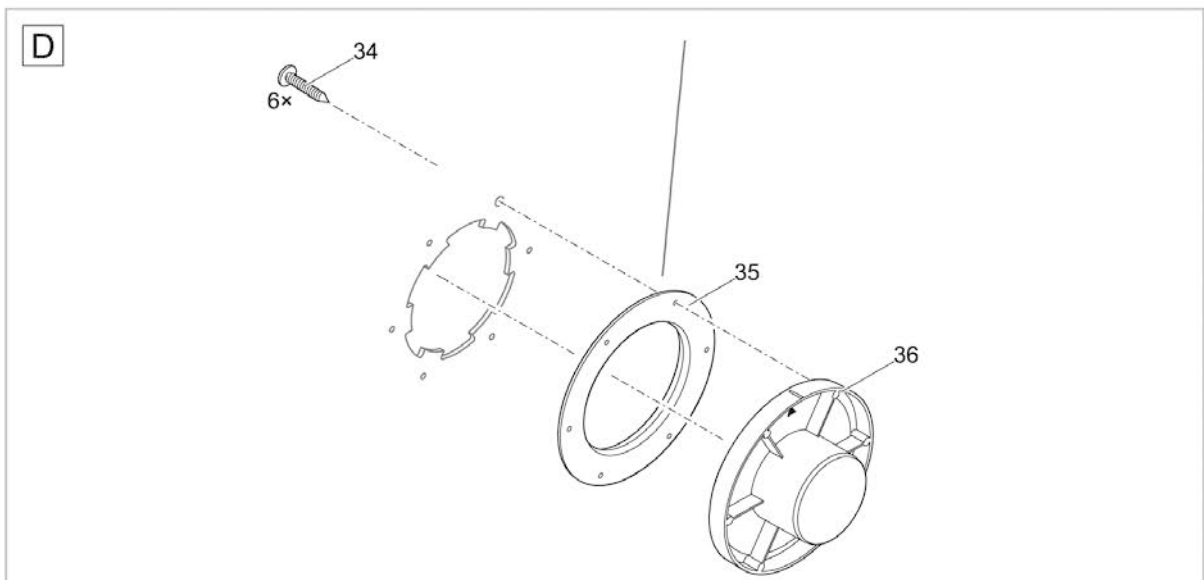
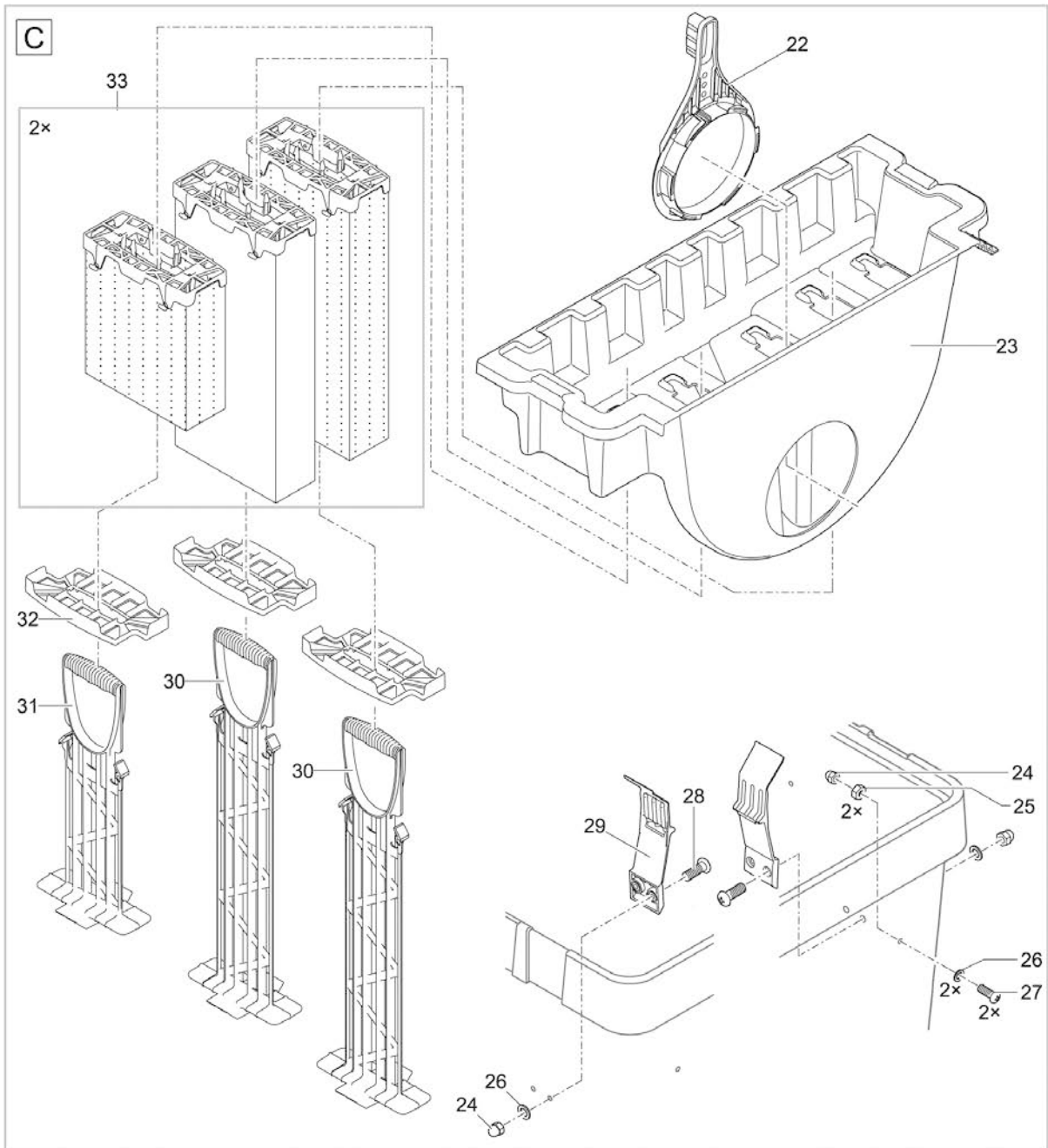
| Pos. | Item no. Product | Product | Item no. Spare part | Spare part | Number |
|------|---------------------|--|------------------------|--|--------|
| 25 | 54850 | BioTec Premium 80000 pump-fed OC [INT] | 6105 | Hexagon nut V2A DIN 934 M6 | 1 |
| | 54854 | BioTec Premium 80000 pump-fed OC [GB] | | | |
| 26 | 54850 | BioTec Premium 80000 pump-fed OC [INT] | 20609 | Fiberplate DIN 7603 6 x 12 x 1 mm | 1 |
| | 54854 | BioTec Premium 80000 pump-fed OC [GB] | | | |
| 27 | 54850 | BioTec Premium 80000 pump-fed OC [INT] | 17918 | Oval head screw V2A DIN 7985 M6 x 25 | 1 |
| | 54854 | BioTec Premium 80000 pump-fed OC [GB] | | | |
| 28 | 54850 | BioTec Premium 80000 pump-fed OC [INT] | 14596 | Oval head screw V2A DIN 7985 M6 x 16 | 1 |
| | 54854 | BioTec Premium 80000 pump-fed OC [GB] | | | |
| 29 | 54850 | BioTec Premium 80000 pump-fed OC [INT] | 40071 | Retainer inner lid BioTec Premium 80000 | 1 |
| | 54854 | BioTec Premium 80000 pump-fed OC [GB] | | | |
| 30 | 54850 | BioTec Premium 80000 pump-fed OC [INT] | 41253 | Foam holder long BioTec Premium 80000 | 1 |
| | 54854 | BioTec Premium 80000 pump-fed OC [GB] | | | |
| 31 | 54850 | BioTec Premium 80000 pump-fed OC [INT] | 40121 | Foam holder short BioTec Premium 80000 | 1 |
| | 54854 | BioTec Premium 80000 pump-fed OC [GB] | | | |
| 32 | 54850 | BioTec Premium 80000 pump-fed OC [INT] | 13629 | Foam plate base part FiltoMatic | 1 |
| | 54854 | BioTec Premium 80000 pump-fed OC [GB] | | | |
| 33 | 54850 | BioTec Premium 80000 pump-fed OC [INT] | 40456 | Filtercartridge set BioTec Premium 80000 | 1 |
| | 54854 | BioTec Premium 80000 pump-fed OC [GB] | | | |
| 34 | 54850 | BioTec Premium 80000 pump-fed OC [INT] | 27572 | Oval head screw CZ-V2A DIN 7981 6.3 x 32 | 1 |
| | 54854 | BioTec Premium 80000 pump-fed OC [GB] | | | |
| 35 | 54850 | BioTec Premium 80000 pump-fed OC [INT] | 22676 | Gasket inner cover BioTec Premium 80000 | 1 |
| | 54854 | BioTec Premium 80000 pump-fed OC [GB] | | | |
| 36 | 54850 | BioTec Premium 80000 pump-fed OC [INT] | 26963 | Intake 100 | 1 |
| | 54854 | BioTec Premium 80000 pump-fed OC [GB] | | | |
| 37 | 54850 | BioTec Premium 80000 pump-fed OC [INT] | 18446 | Spare drain DN75 Premium | 1 |
| | 54854 | BioTec Premium 80000 pump-fed OC [GB] | | | |
| 38 | 54850 | BioTec Premium 80000 pump-fed OC [INT] | 18448 | spare screw set drain DN75 Premium | 1 |
| | 54854 | BioTec Premium 80000 pump-fed OC [GB] | | | |
| 39 | 54850 | BioTec Premium 80000 pump-fed OC [INT] | 35570 | Replacement Plug | 1 |
| | 54854 | BioTec Premium 80000 pump-fed OC [GB] | | | |
| 40 | 54850 | BioTec Premium 80000 pump-fed OC [INT] | 22746 | Add. pack drum filter pump-fed II | 1 |
| | 54854 | BioTec Premium 80000 pump-fed OC [GB] | | | |
| 41 | 54850 | BioTec Premium 80000 pump-fed OC [INT] | 18798 | Spare grommet drum filter pump-fed | 1 |
| | 54854 | BioTec Premium 80000 pump-fed OC [GB] | | | |
| 42 | 54850 | BioTec Premium 80000 pump-fed OC [INT] | 50540 | Connection elbow 2"/90° Bitron | 1 |
| | 54854 | BioTec Premium 80000 pump-fed OC [GB] | | | |
| 43 | 54850 | BioTec Premium 80000 pump-fed OC [INT] | 19005 | ASM connection set DN 110 | 1 |
| | 54854 | BioTec Premium 80000 pump-fed OC [GB] | | | |
| 44 | 54850 | BioTec Premium 80000 pump-fed OC [INT] | 40114 | Fastening kit rinse pump rear | 1 |
| | 54854 | BioTec Premium 80000 pump-fed OC [GB] | | | |
| 45 | 54850 | BioTec Premium 80000 pump-fed OC [INT] | 6143 | Washer VA DIN 9021 6.4 | 1 |
| | 54854 | BioTec Premium 80000 pump-fed OC [GB] | | | |
| 46 | 54850 | BioTec Premium 80000 pump-fed OC [INT] | 40074 | Fastening kit rinse pump front | 1 |
| | 54854 | BioTec Premium 80000 pump-fed OC [GB] | | | |
| 47 | 54850 | BioTec Premium 80000 pump-fed OC [INT] | 41479 | Spare connector waste pump BioTec/Comp. | 1 |
| | 54854 | BioTec Premium 80000 pump-fed OC [GB] | | | |
| 48 | 54850 | BioTec Premium 80000 pump-fed OC [INT] | 40075 | Rinse pump 4 bar - 2 m cable | 1 |
| | 54854 | BioTec Premium 80000 pump-fed OC [GB] | | | |

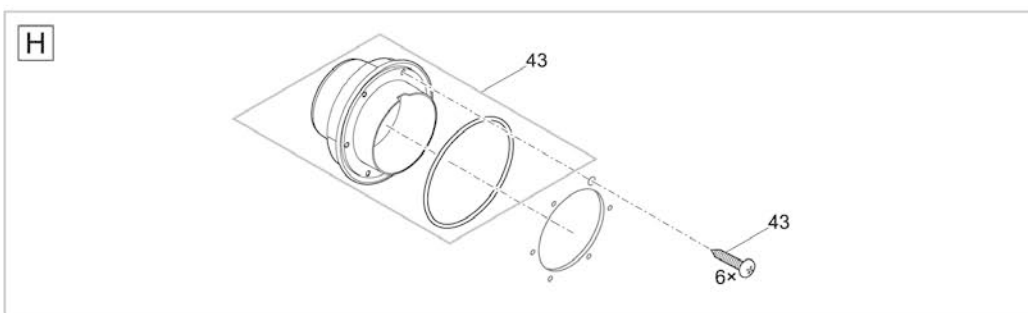
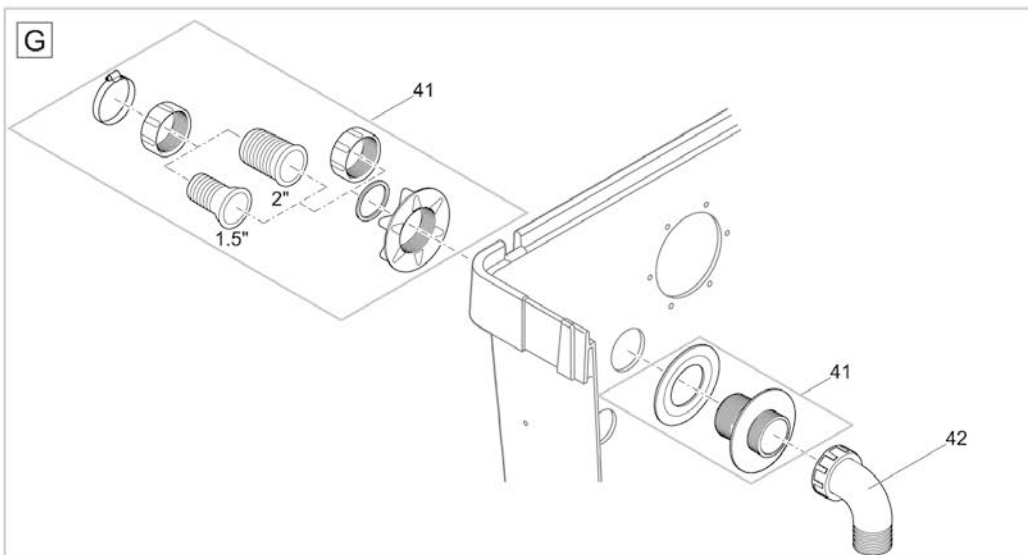
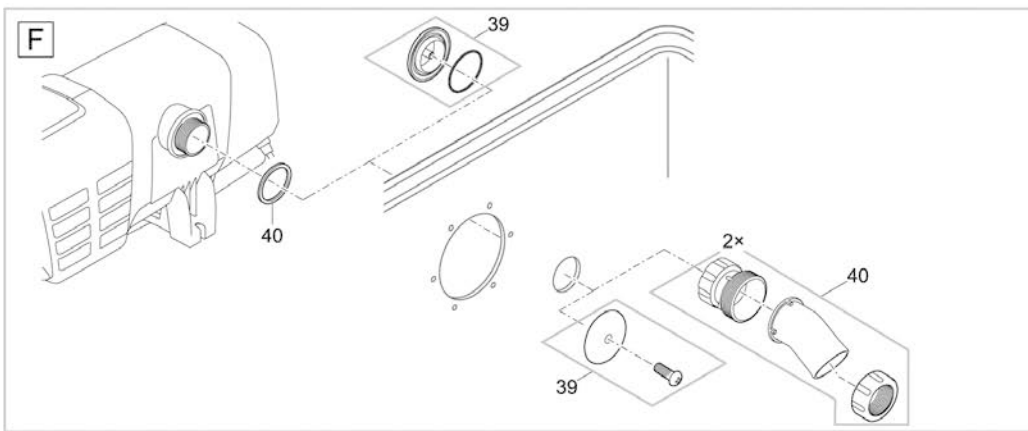
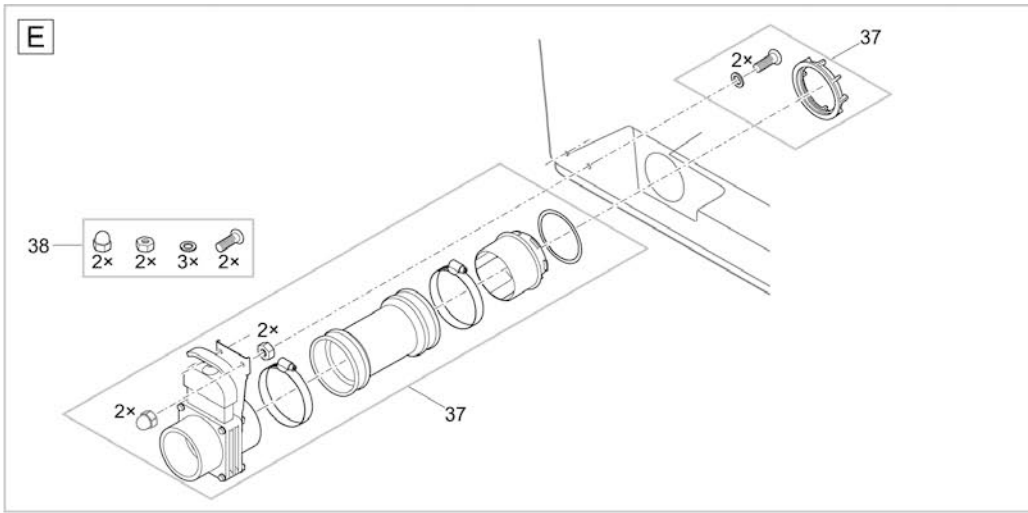
| Pos. | Item no. Product | Product | Item no. Spare part | Spare part | Number |
|------|---------------------|--|------------------------|--|--------|
| 49 | 54850 | BioTec Premium 80000 pump-fed OC [INT] | 18943 | Pre-filter rinse pump | 1 |
| | 54854 | BioTec Premium 80000 pump-fed OC [GB] | | | |
| 50 | 54850 | BioTec Premium 80000 pump-fed OC [INT] | 23192 | Spare drum gasket | 1 |
| | 54854 | BioTec Premium 80000 pump-fed OC [GB] | | | |
| 51 | 54850 | BioTec Premium 80000 pump-fed OC [INT] | 20320 | Cylinder screw V2A DIN 912 M4 x 20 | 1 |
| | 54854 | BioTec Premium 80000 pump-fed OC [GB] | | | |
| 52 | 54850 | BioTec Premium 80000 pump-fed OC [INT] | 48376 | ASM signal box BioTec OC | 1 |
| | 54854 | BioTec Premium 80000 pump-fed OC [GB] | | | |
| 53 | 54850 | BioTec Premium 80000 pump-fed OC [INT] | 40099 | Mounting pl.float switch BioT./Comp.pump | 1 |
| | 54854 | BioTec Premium 80000 pump-fed OC [GB] | | | |
| 54 | 54850 | BioTec Premium 80000 pump-fed OC [INT] | 11113 | Safety nut V2A DIN 985 M4 | 1 |
| | 54854 | BioTec Premium 80000 pump-fed OC [GB] | | | |
| 55 | 54850 | BioTec Premium 80000 pump-fed OC [INT] | 41481 | Spare seperating wall BioTec/Comp. pump | 1 |
| | 54854 | BioTec Premium 80000 pump-fed OC [GB] | | | |
| 56 | 54850 | BioTec Premium 80000 pump-fed OC [INT] | 19023 | O-Ring EPDM 6 x 1.5 SH70 A | 1 |
| | 54854 | BioTec Premium 80000 pump-fed OC [GB] | | | |
| 57 | 54850 | BioTec Premium 80000 pump-fed OC [INT] | 19402 | Cable holder drum filter | 1 |
| | 54854 | BioTec Premium 80000 pump-fed OC [GB] | | | |
| 58 | 54850 | BioTec Premium 80000 pump-fed OC [INT] | 18794 | Spare plain roller drum filter | 1 |
| | 54854 | BioTec Premium 80000 pump-fed OC [GB] | | | |
| 59 | 54850 | BioTec Premium 80000 pump-fed OC [INT] | 43867 | Spare set ASM gland seal | 1 |
| | 54854 | BioTec Premium 80000 pump-fed OC [GB] | | | |
| 60 | 54850 | BioTec Premium 80000 pump-fed OC [INT] | 49714 | Mount. plate float sw. BT 80000 cleaning | 1 |
| | 54854 | BioTec Premium 80000 pump-fed OC [GB] | | | |
| 61 | 54850 | BioTec Premium 80000 pump-fed OC [INT] | 49847 | Cover cap nut M6 | 1 |
| | 54854 | BioTec Premium 80000 pump-fed OC [GB] | | | |
| 62 | 54850 | BioTec Premium 80000 pump-fed OC [INT] | 20292 | Oval head screw V2A DIN 7985 M6 x 12 | 1 |
| | 54854 | BioTec Premium 80000 pump-fed OC [GB] | | | |
| 63 | 54850 | BioTec Premium 80000 pump-fed OC [INT] | 48183 | Check valve 2" | 1 |
| | 54854 | BioTec Premium 80000 pump-fed OC [GB] | | | |

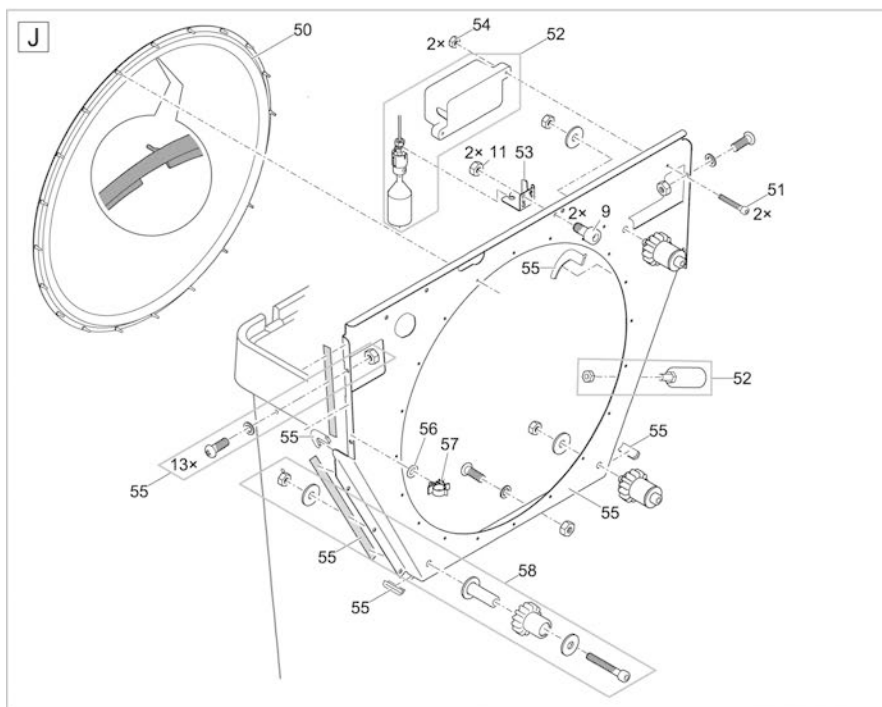
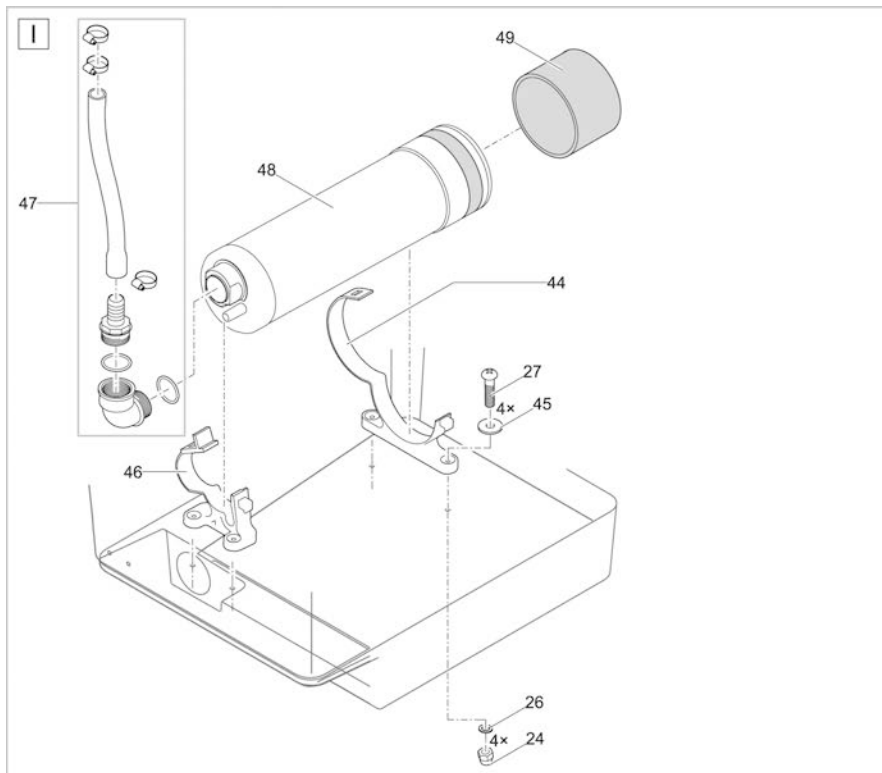
| Item no. | Product |
|----------|-------------------------|
| 56755 | BioTec Premium 80000 |
| 56915 | GB BioTec Premium 80000 |









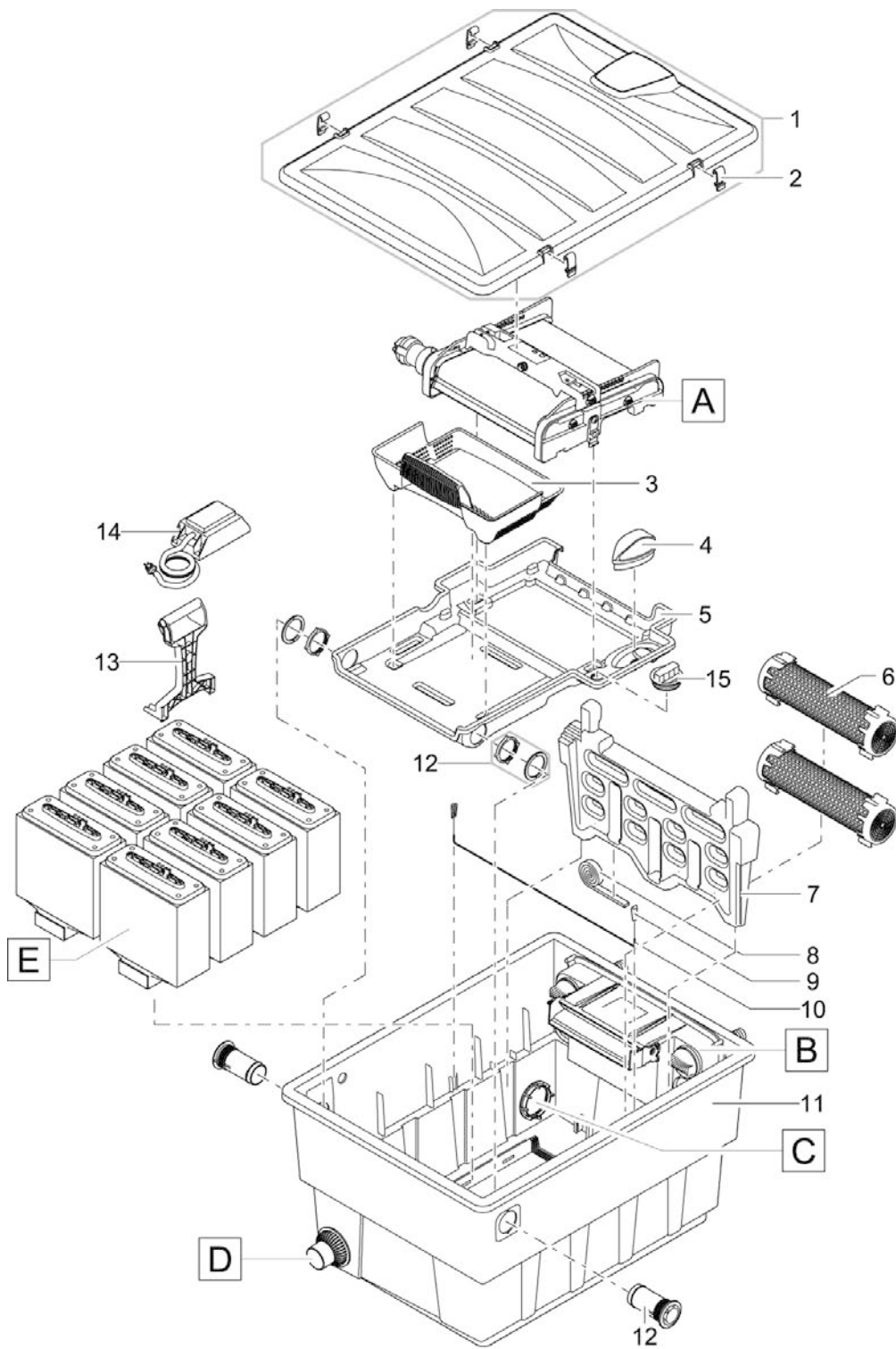


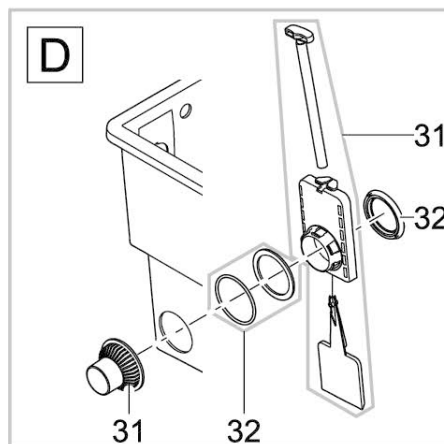
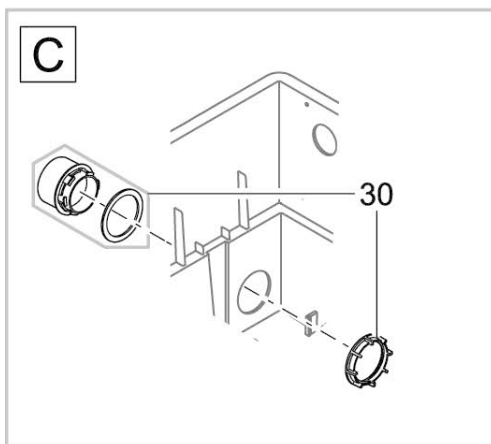
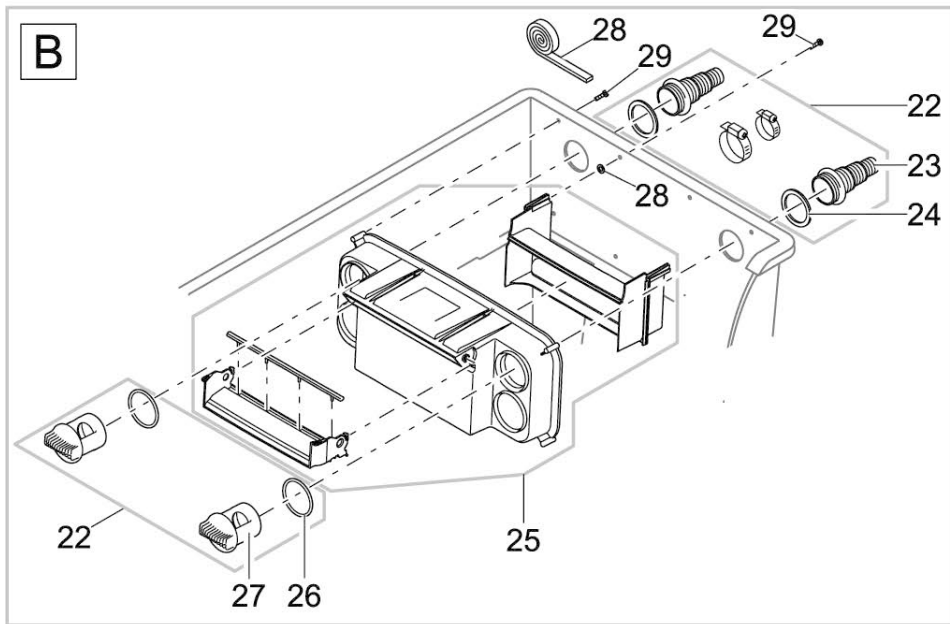
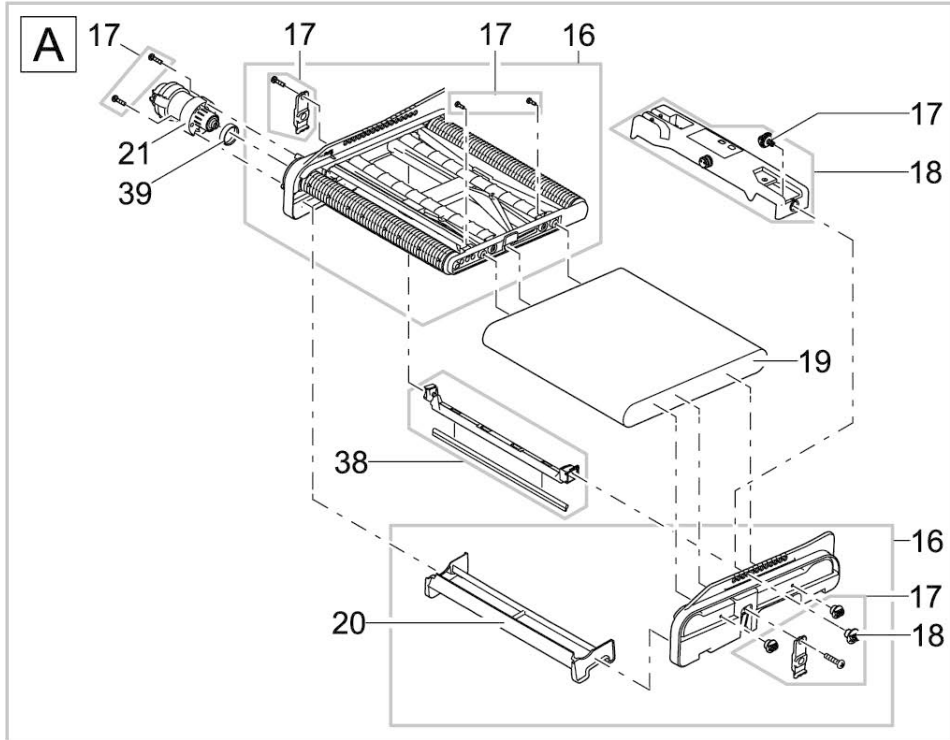
| Pos. | Item no. Product | Product | Item no. Spare part | Spare part | Number |
|------|---------------------|----------------------------|------------------------|--|--------|
| 1 | 56755 | BioTec Premium 80000 [INT] | 18795 | Spare part lid cpl. drum filter | 1 |
| | 56915 | BioTec Premium 80000 [GB] | | | |
| 2 | 56755 | BioTec Premium 80000 [INT] | 21981 | Spare cover gasket seal drum filter | 1 |
| | 56915 | BioTec Premium 80000 [GB] | | | |
| 3 | 56755 | BioTec Premium 80000 [INT] | 18692 | Fuse T8A 250 V | 1 |
| | 56915 | BioTec Premium 80000 [GB] | | | |
| 4 | 56755 | BioTec Premium 80000 [INT] | 47012 | Upgrade-Controller ProfiClear Prem. OC | 1 |
| | 56915 | BioTec Premium 80000 [GB] | | | |
| 6 | 56755 | BioTec Premium 80000 [INT] | 18842 | Clip drum filter | 1 |
| | 56915 | BioTec Premium 80000 [GB] | | | |
| 7 | 56755 | BioTec Premium 80000 [INT] | 90118 | Spare cable protection 0.85 m | 1 |
| | 56915 | BioTec Premium 80000 [GB] | | | |
| 8 | 56755 | BioTec Premium 80000 [INT] | 40022 | ASM waste channel BioTec Premium 80000 | 1 |
| | 56915 | BioTec Premium 80000 [GB] | | | |
| 9 | 56755 | BioTec Premium 80000 [INT] | 15596 | Screw V4A DIN 912 M6 x 10 | 4 |
| | 56915 | BioTec Premium 80000 [GB] | | | |
| 10 | 56755 | BioTec Premium 80000 [INT] | 72198 | Spare ASM drum motor pump-fed | 1 |
| | 56915 | BioTec Premium 80000 [GB] | | | |
| 11 | 56755 | BioTec Premium 80000 [INT] | 6128 | Lock nut V2A DIN 985 M6 | 21 |
| | 56915 | BioTec Premium 80000 [GB] | | | |
| 12 | 56755 | BioTec Premium 80000 [INT] | 41471 | Spare nozzle BioTec Premium 80000 | 1 |
| | 56915 | BioTec Premium 80000 [GB] | | | |
| 13 | 56755 | BioTec Premium 80000 [INT] | 49842 | ASM cleaning tube BioTec 80000 inject | 1 |
| | 56915 | BioTec Premium 80000 [GB] | | | |
| 14 | 56755 | BioTec Premium 80000 [INT] | 41472 | Spare hose bracket BioTec / Compact | 2 |
| | 56915 | BioTec Premium 80000 [GB] | | | |
| 15 | 56755 | BioTec Premium 80000 [INT] | 41476 | Spare drum BioTec / Compact | 1 |
| | 56915 | BioTec Premium 80000 [GB] | | | |
| 16 | 56755 | BioTec Premium 80000 [INT] | 41887 | Spare drum bearing truss | 2 |
| | 56915 | BioTec Premium 80000 [GB] | | | |
| 17 | 56755 | BioTec Premium 80000 [INT] | 18791 | Spare drum bearing drum filter | 4 |
| | 56915 | BioTec Premium 80000 [GB] | | | |
| 18 | 56755 | BioTec Premium 80000 [INT] | 16288 | Drum shaft | 1 |
| | 56915 | BioTec Premium 80000 [GB] | | | |
| 19 | 56755 | BioTec Premium 80000 [INT] | 19515 | Locking pin V2A DIN 11023 - 6 mm | 1 |
| | 56915 | BioTec Premium 80000 [GB] | | | |
| 20 | 56755 | BioTec Premium 80000 [INT] | 41889 | Spare clip drum filter | 1 |
| | 56915 | BioTec Premium 80000 [GB] | | | |
| 21 | 56755 | BioTec Premium 80000 [INT] | 41473 | Spare sieve BioTec Premium 80000 125µ | 1 |
| | 56915 | BioTec Premium 80000 [GB] | | | |
| 22 | 56755 | BioTec Premium 80000 [INT] | 22629 | Bayonet ring inner cover BioTec 80000 | 1 |
| | 56915 | BioTec Premium 80000 [GB] | | | |
| 23 | 56755 | BioTec Premium 80000 [INT] | 22422 | Inner cover BioTec Premium 80000 | 1 |
| | 56915 | BioTec Premium 80000 [GB] | | | |
| 24 | 56755 | BioTec Premium 80000 [INT] | 6117 | Cap nut V2A DIN 1587 M6 | 18 |
| | 56915 | BioTec Premium 80000 [GB] | | | |
| 25 | 56755 | BioTec Premium 80000 [INT] | 6105 | Hexagon nut V2A DIN 934 M6 | 8 |
| | 56915 | BioTec Premium 80000 [GB] | | | 6 |

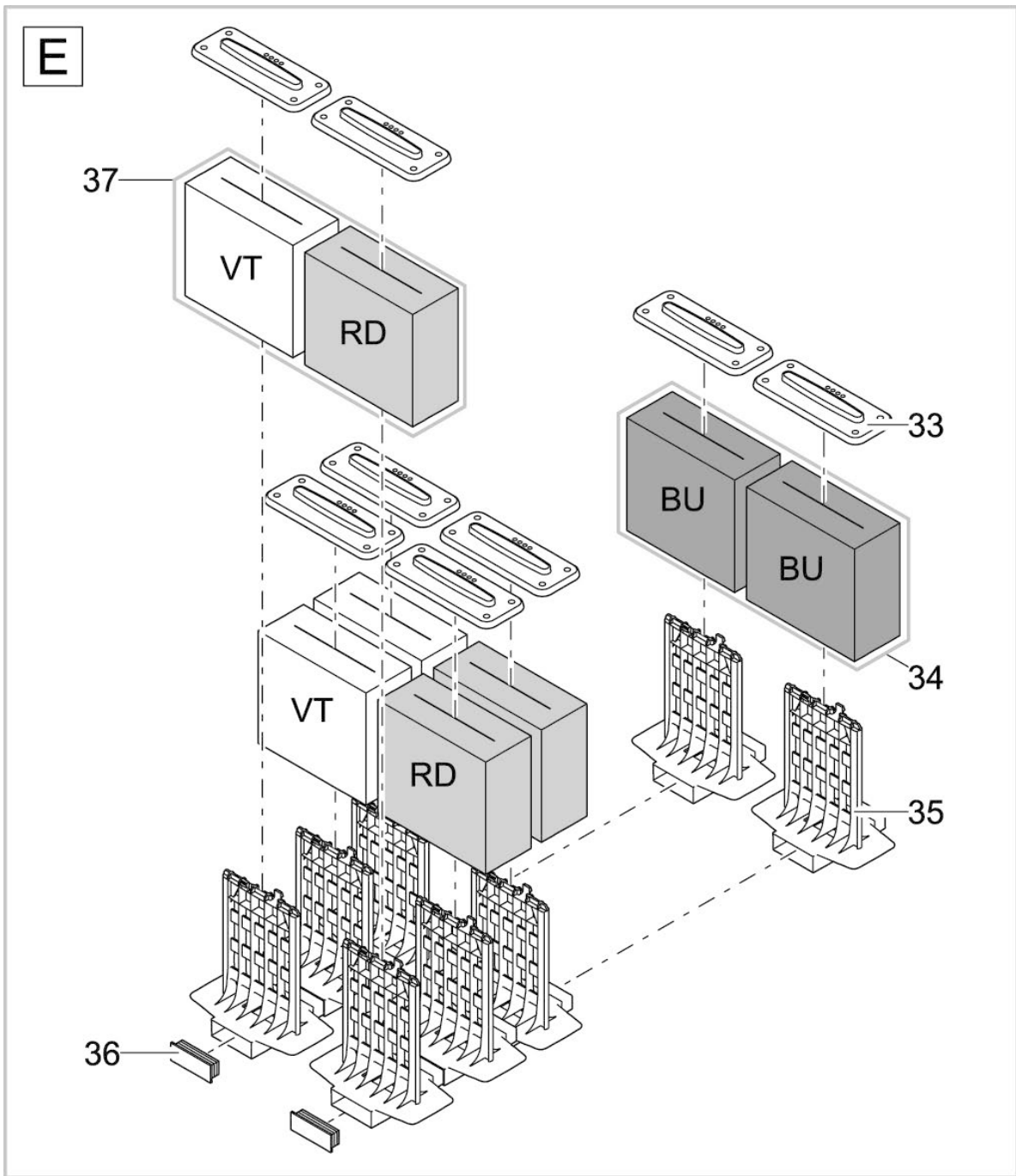
| Pos. | Item no. Product | Product | Item no. Spare part | Spare part | Number |
|------|---------------------|----------------------------|------------------------|--|--------|
| 26 | 56755 | BioTec Premium 80000 [INT] | 20609 | Fiberplate DIN 7603 6 x 12 x 1 mm | 33 |
| | 56915 | BioTec Premium 80000 [GB] | | | 31 |
| 27 | 56755 | BioTec Premium 80000 [INT] | 17918 | Oval head screw V2A DIN 7985 M6 x 25 | 10 |
| | 56915 | BioTec Premium 80000 [GB] | | | 8 |
| 28 | 56755 | BioTec Premium 80000 [INT] | 14596 | Oval head screw V2A DIN 7985 M6 x 16 | 23 |
| | 56915 | BioTec Premium 80000 [GB] | | | |
| 29 | 56755 | BioTec Premium 80000 [INT] | 40071 | Retainer inner lid BioTec Premium 80000 | 2 |
| | 56915 | BioTec Premium 80000 [GB] | | | |
| 30 | 56755 | BioTec Premium 80000 [INT] | 41253 | Foam holder long BioTec Premium 80000 | 1 |
| | 56915 | BioTec Premium 80000 [GB] | | | |
| 31 | 56755 | BioTec Premium 80000 [INT] | 40121 | Foam holder short BioTec Premium 80000 | 1 |
| | 56915 | BioTec Premium 80000 [GB] | | | |
| 32 | 56755 | BioTec Premium 80000 [INT] | 13629 | Foam plate base part FiltoMatic | 1 |
| | 56915 | BioTec Premium 80000 [GB] | | | |
| 33 | 56755 | BioTec Premium 80000 [INT] | 40456 | Filtercartridge set BioTec Premium 80000 | 1 |
| | 56915 | BioTec Premium 80000 [GB] | | | |
| 34 | 56755 | BioTec Premium 80000 [INT] | 27572 | Oval head screw CZ-V2A DIN 7981 6.3 x 32 | 12 |
| | 56915 | BioTec Premium 80000 [GB] | | | |
| 35 | 56755 | BioTec Premium 80000 [INT] | 22676 | Gasket inner cover BioTec Premium 80000 | 1 |
| | 56915 | BioTec Premium 80000 [GB] | | | |
| 36 | 56755 | BioTec Premium 80000 [INT] | 26963 | Intake 100 | 1 |
| | 56915 | BioTec Premium 80000 [GB] | | | |
| 37 | 56755 | BioTec Premium 80000 [INT] | 18446 | Spare drain DN75 Premium | 1 |
| | 56915 | BioTec Premium 80000 [GB] | | | |
| 38 | 56755 | BioTec Premium 80000 [INT] | 18448 | spare screw set drain DN75 Premium | 1 |
| | 56915 | BioTec Premium 80000 [GB] | | | |
| 39 | 56755 | BioTec Premium 80000 [INT] | 35570 | Replacement Plug | 1 |
| | 56915 | BioTec Premium 80000 [GB] | | | |
| 40 | 56755 | BioTec Premium 80000 [INT] | 22746 | Add. pack drum filter pump-fed II | 1 |
| | 56915 | BioTec Premium 80000 [GB] | | | |
| 41 | 56755 | BioTec Premium 80000 [INT] | 18798 | Spare grommet drum filter pump-fed | 1 |
| | 56915 | BioTec Premium 80000 [GB] | | | |
| 42 | 56755 | BioTec Premium 80000 [INT] | 50540 | Connection elbow 2"/90° Bitron | 1 |
| | 56915 | BioTec Premium 80000 [GB] | | | |
| 43 | 56755 | BioTec Premium 80000 [INT] | 19005 | ASM connection set DN 110 | 6 |
| | 56915 | BioTec Premium 80000 [GB] | | | |
| 44 | 56755 | BioTec Premium 80000 [INT] | 40114 | Fastening kit rinse pump rear | 1 |
| | 56915 | BioTec Premium 80000 [GB] | | | |
| 45 | 56755 | BioTec Premium 80000 [INT] | 6143 | Washer VA DIN 9021 6.4 | 4 |
| | 56915 | BioTec Premium 80000 [GB] | | | |
| 46 | 56755 | BioTec Premium 80000 [INT] | 40074 | Fastening kit rinse pump front | 1 |
| | 56915 | BioTec Premium 80000 [GB] | | | |
| 47 | 56755 | BioTec Premium 80000 [INT] | 41479 | Spare connector waste pump BioTec/Comp. | 1 |
| | 56915 | BioTec Premium 80000 [GB] | | | |
| 48 | 56755 | BioTec Premium 80000 [INT] | 40075 | Rinse pump 4 bar - 2 m cable | 1 |
| | 56915 | BioTec Premium 80000 [GB] | | | |
| 49 | 56755 | BioTec Premium 80000 [INT] | 18943 | Pre-filter rinse pump | 1 |
| | 56915 | BioTec Premium 80000 [GB] | | | |

| Pos. | Item no. Product | Product | Item no. Spare part | Spare part | Number |
|------|---------------------|----------------------------|------------------------|--|--------|
| 50 | 56755 | BioTec Premium 80000 [INT] | 23192 | Spare drum gasket | 1 |
| | 56915 | BioTec Premium 80000 [GB] | | | |
| 51 | 56755 | BioTec Premium 80000 [INT] | 20320 | Cylinder screw V2A DIN 912 M4 x 20 | 2 |
| | 56915 | BioTec Premium 80000 [GB] | | | |
| 52 | 56755 | BioTec Premium 80000 [INT] | 40129 | ASM signal box pumped | 1 |
| | 56915 | BioTec Premium 80000 [GB] | | | |
| 53 | 56755 | BioTec Premium 80000 [INT] | 40099 | Mounting pl.float switch BioT./Comp.pump | 1 |
| | 56915 | BioTec Premium 80000 [GB] | | | |
| 54 | 56755 | BioTec Premium 80000 [INT] | 11113 | Safety nut V2A DIN 985 M4 | 2 |
| | 56915 | BioTec Premium 80000 [GB] | | | |
| 55 | 56755 | BioTec Premium 80000 [INT] | 41481 | Spare seperating wall BioTec/Comp. pump | 1 |
| | 56915 | BioTec Premium 80000 [GB] | | | |
| 56 | 56755 | BioTec Premium 80000 [INT] | 19023 | O-Ring EPDM 6 x 1.5 SH70 A | 1 |
| | 56915 | BioTec Premium 80000 [GB] | | | |
| 57 | 56755 | BioTec Premium 80000 [INT] | 19402 | Cable holder drum filter | 1 |
| | 56915 | BioTec Premium 80000 [GB] | | | |
| 58 | 56755 | BioTec Premium 80000 [INT] | 18794 | Spare plain roller drum filter | 1 |
| | 56915 | BioTec Premium 80000 [GB] | | | |

| Item no. | Product |
|----------|---------------------------------------|
| 57694 | BioTec ScreenMatic ² 40000 |
| 57695 | BioTec ScreenMatic ² 60000 |



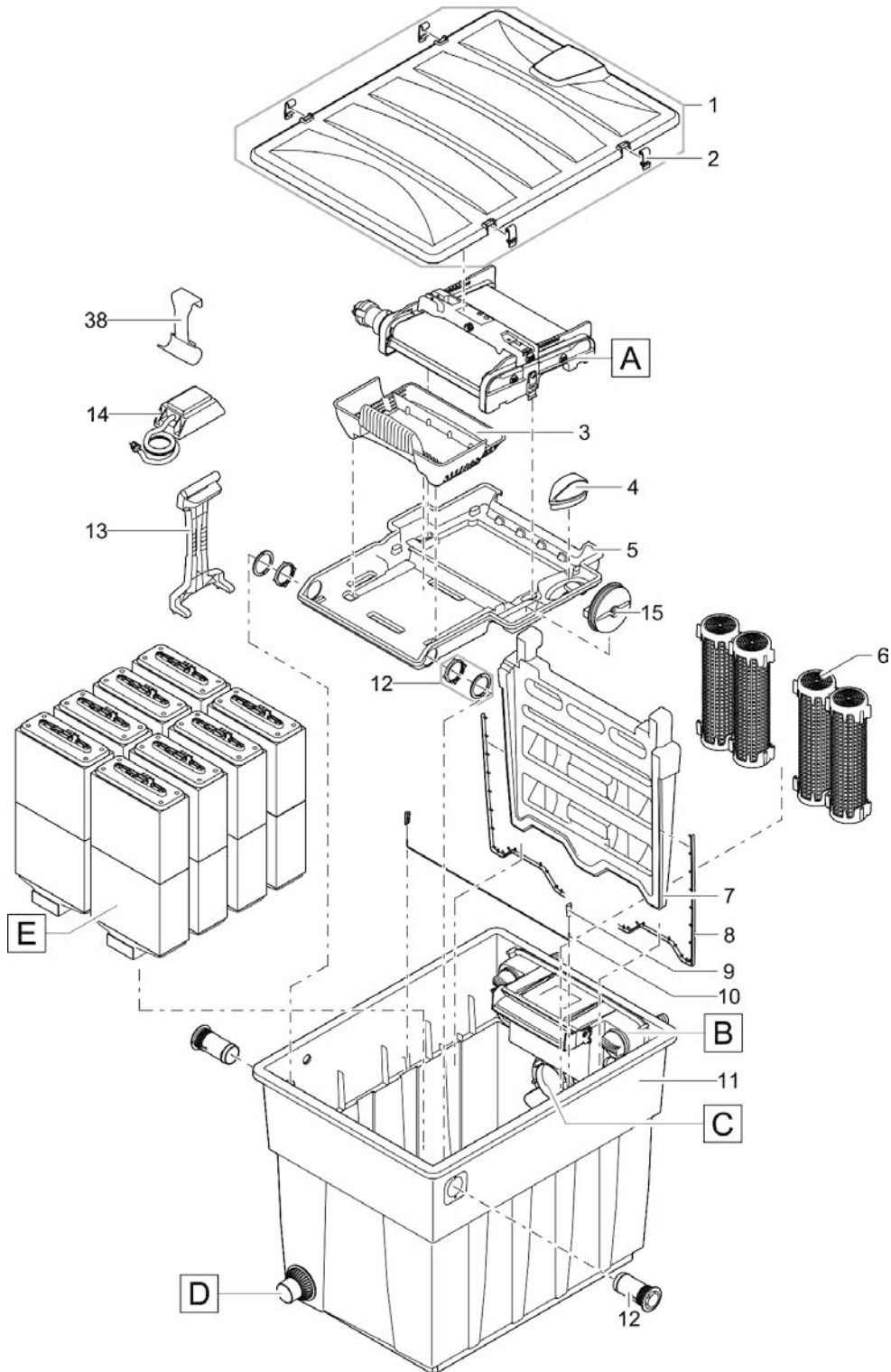


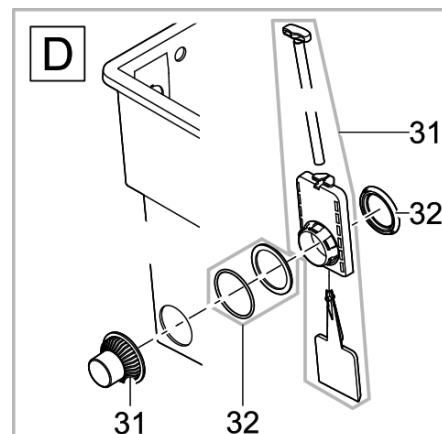
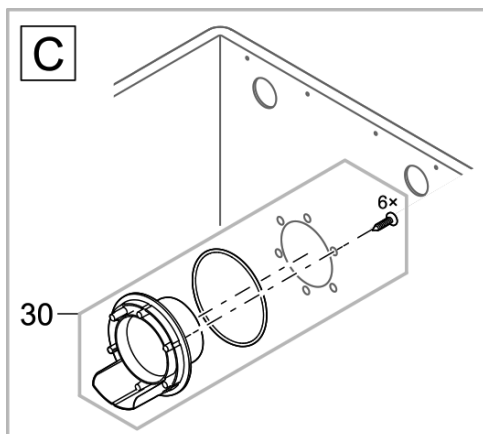
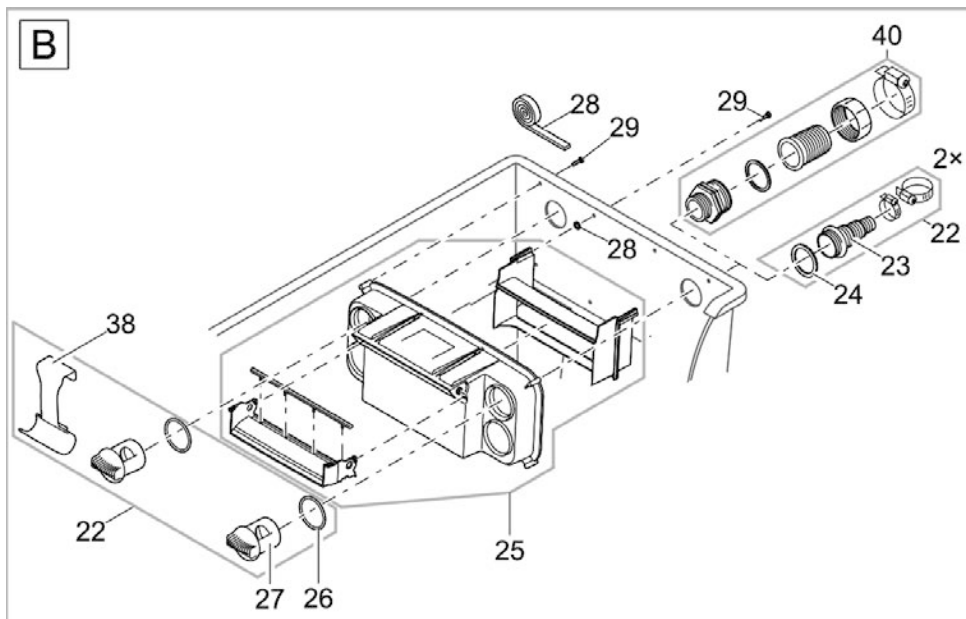
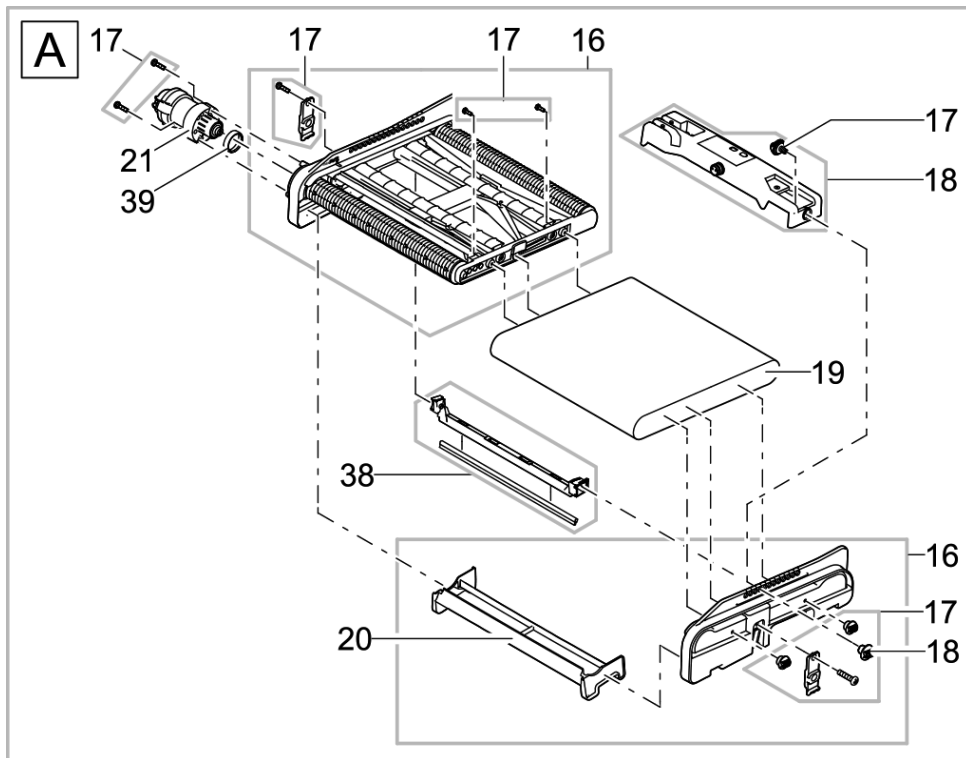


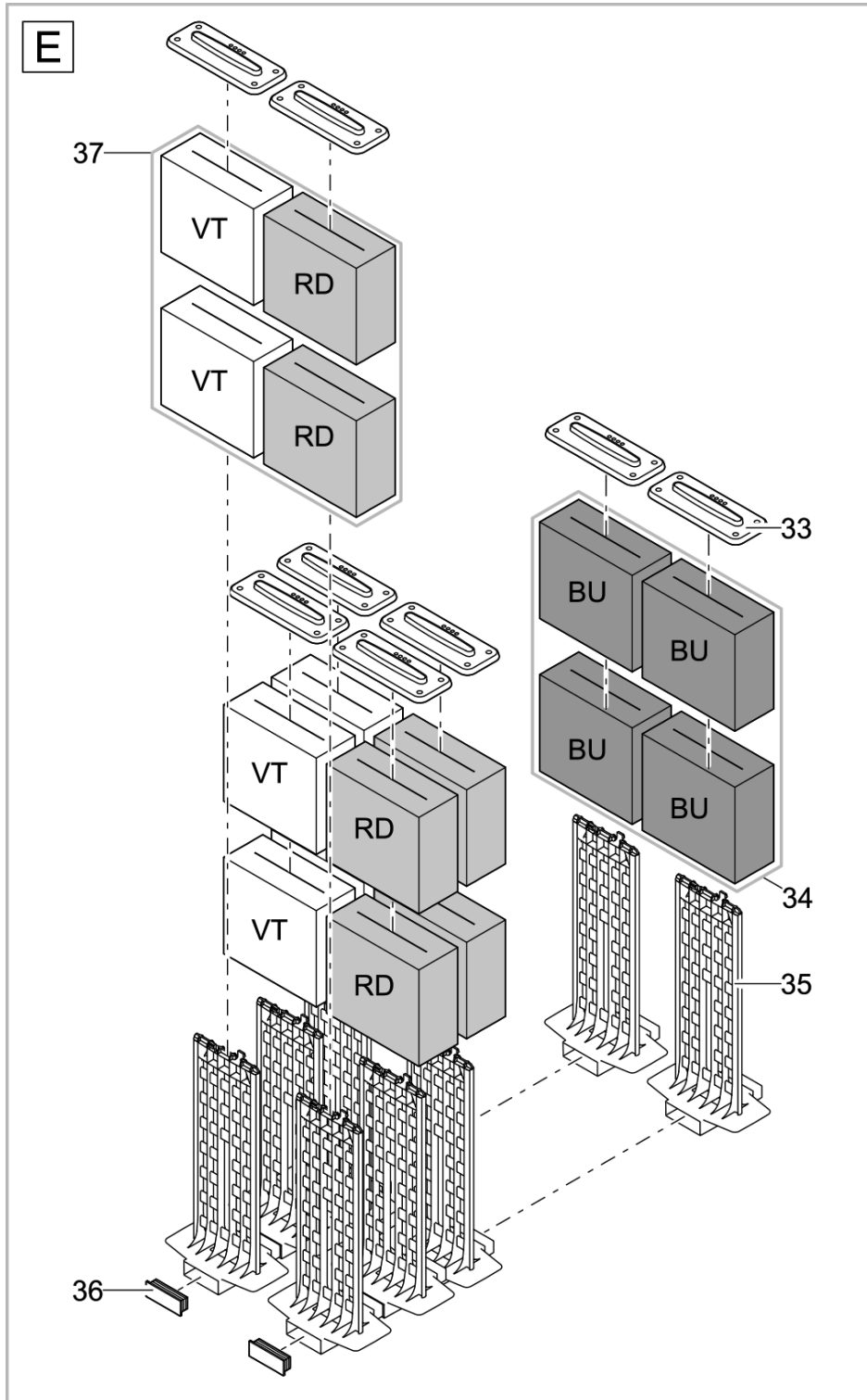
| Pos. | Item no. Product | Product | Item no. Spare part | Spare part | Number |
|------|---------------------|---|------------------------|--|--------|
| 1 | 57694 | BioTec ScreenMatic ² 40000 [INT] | 45320 | Spare ASM filter lid incl. design plate | 1 |
| | 57695 | BioTec ScreenMatic ² 60000 [INT] | | | |
| 2 | 57694 | BioTec ScreenMatic ² 40000 [INT] | 30983 | Clip Bitron Eco / AquaMax | 1 |
| | 57695 | BioTec ScreenMatic ² 60000 [INT] | | | |
| 3 | 57694 | BioTec ScreenMatic ² 40000 [INT] | 42346 | Mud basket BioTec ScreenMatic | 1 |
| | 57695 | BioTec ScreenMatic ² 60000 [INT] | | | |
| 4 | 57694 | BioTec ScreenMatic ² 40000 [INT] | 42449 | Brush BioTec ScreenMatic | 1 |
| | 57695 | BioTec ScreenMatic ² 60000 [INT] | | | |
| 5 | 57694 | BioTec ScreenMatic ² 40000 [INT] | 42344 | Screen holder BioTec ScreenM.40000/60000 | 1 |
| | 57695 | BioTec ScreenMatic ² 60000 [INT] | | | |
| 6 | 57694 | BioTec ScreenMatic ² 40000 [INT] | 25507 | Substrate pipe cpl. BioTec 18 / 36 | 1 |
| | 57695 | BioTec ScreenMatic ² 60000 [INT] | | | |
| 7 | 57694 | BioTec ScreenMatic ² 40000 [INT] | 42340 | Partition wall BioTec ScreenMatic 40000 | 1 |
| | 57695 | BioTec ScreenMatic ² 60000 [INT] | 42341 | Partition wall BioTec ScreenMatic 60000 | 1 |
| 8 | 57694 | BioTec ScreenMatic ² 40000 [INT] | 84923 | Spare gasket partition BioT. ScreenMatic | 1 |
| | 57695 | BioTec ScreenMatic ² 60000 [INT] | | | |
| 9 | 57694 | BioTec ScreenMatic ² 40000 [INT] | 34830 | Pull rod plug | 2 |
| | 57695 | BioTec ScreenMatic ² 60000 [INT] | | | |
| 10 | 57694 | BioTec ScreenMatic ² 40000 [INT] | 25624 | Pull rod BioTec 18 | 1 |
| | 57695 | BioTec ScreenMatic ² 60000 [INT] | | | |
| 11 | 57694 | BioTec ScreenMatic ² 40000 [INT] | 43105 | Filter box BioTec ScreenM. 40000 pierced | 1 |
| | 57695 | BioTec ScreenMatic ² 60000 [INT] | 43106 | Filter box BioTec ScreenM. 60000 pierced | 1 |
| 12 | 57694 | BioTec ScreenMatic ² 40000 [INT] | 44181 | Spare screen holder fixation 2015 | 1 |
| | 57695 | BioTec ScreenMatic ² 60000 [INT] | | | |
| 13 | 57694 | BioTec ScreenMatic ² 40000 [INT] | 34734 | Cleaner BioTec | 1 |
| | 57695 | BioTec ScreenMatic ² 60000 [INT] | | | |
| 14 | 57694 | BioTec ScreenMatic ² 40000 [INT] | 15118 | Transformer 6 VA 2m H05RN-F 2 x 0.75 mm ² | 1 |
| | 57695 | BioTec ScreenMatic ² 60000 [INT] | | | |
| 15 | 57694 | BioTec ScreenMatic ² 40000 [INT] | 44343 | Plug BioTec ScreenMatic 40000/60000 | 1 |
| | 57695 | BioTec ScreenMatic ² 60000 [INT] | | | |
| 16 | 57694 | BioTec ScreenMatic ² 40000 [INT] | 42383 | ASM BioTec ScreenMatic 40/60/90000 | 1 |
| | 57695 | BioTec ScreenMatic ² 60000 [INT] | | | |
| 17 | 57694 | BioTec ScreenMatic ² 40000 [INT] | 44178 | Spare small parts BioTec ScreenM. 2015 | 1 |
| | 57695 | BioTec ScreenMatic ² 60000 [INT] | | | |
| 18 | 57694 | BioTec ScreenMatic ² 40000 [INT] | 44184 | Spare ASM controller ScreenM.40/60/90000 | 1 |
| | 57695 | BioTec ScreenMatic ² 60000 [INT] | | | |
| 19 | 57694 | BioTec ScreenMatic ² 40000 [INT] | 42325 | Woven fabric BioTec ScreenM. 40000/60000 | 1 |
| | 57695 | BioTec ScreenMatic ² 60000 [INT] | | | |
| 20 | 57694 | BioTec ScreenMatic ² 40000 [INT] | 44177 | ASM scraper with brush ScreenMatic 2015 | 1 |
| | 57695 | BioTec ScreenMatic ² 60000 [INT] | | | |
| 21 | 57694 | BioTec ScreenMatic ² 40000 [INT] | 44183 | Spare traction unit BioTec ScreenMatic ² | 1 |
| | 57695 | BioTec ScreenMatic ² 60000 [INT] | | | |

| Pos. | Item no. Product | Product | Item no. Spare part | Spare part | Number |
|------|---------------------|---|------------------------|--|--------|
| 22 | 57694 | BioTec ScreenMatic ² 40000 [INT] | 48674 | Add. pack ScreenMatic ² 2017 | 1 |
| | 57695 | BioTec ScreenMatic ² 60000 [INT] | | | |
| 23 | 57694 | BioTec ScreenMatic ² 40000 [INT] | 43749 | Step. grommet 1 1/2"+thread closed 2018 | 1 |
| | 57695 | BioTec ScreenMatic ² 60000 [INT] | | | |
| 24 | 57694 | BioTec ScreenMatic ² 40000 [INT] | 19506 | Flat gasket NBR 60 x 47 x 3 SH40 | 1 |
| | 57695 | BioTec ScreenMatic ² 60000 [INT] | | | |
| 25 | 57694 | BioTec ScreenMatic ² 40000 [INT] | 44337 | ASM distributor ScreenMatic 40000/60000 | 1 |
| | 57695 | BioTec ScreenMatic ² 60000 [INT] | | | |
| 26 | 57694 | BioTec ScreenMatic ² 40000 [INT] | 25691 | O-Ring NBR 54 x 4 SH40 | 1 |
| | 57695 | BioTec ScreenMatic ² 60000 [INT] | | | |
| 27 | 57694 | BioTec ScreenMatic ² 40000 [INT] | 42949 | Inlet locking nut BioTec ScreenMatic | 1 |
| | 57695 | BioTec ScreenMatic ² 60000 [INT] | | | |
| 28 | 57694 | BioTec ScreenMatic ² 40000 [INT] | 44179 | Spare gasket seal distributor | 1 |
| | 57695 | BioTec ScreenMatic ² 60000 [INT] | | | |
| 29 | 57694 | BioTec ScreenMatic ² 40000 [INT] | 25000 | Oval head screw CH-V2A DIN 7981 4.8 x 22 | 8 |
| | 57695 | BioTec ScreenMatic ² 60000 [INT] | | | |
| 30 | 57694 | BioTec ScreenMatic ² 40000 [INT] | 45321 | Spare ASM drainage set BioTec 40/60000 | 1 |
| | 57695 | BioTec ScreenMatic ² 60000 [INT] | | | |
| 31 | 57694 | BioTec ScreenMatic ² 40000 [INT] | 44182 | Spare drain ASM BioTec | 1 |
| | 57695 | BioTec ScreenMatic ² 60000 [INT] | | | |
| 32 | 57694 | BioTec ScreenMatic ² 40000 [INT] | 34859 | Gasket set outlet BioTec 12-18 / M1-M5 | 1 |
| | 57695 | BioTec ScreenMatic ² 60000 [INT] | | | |
| 33 | 57694 | BioTec ScreenMatic ² 40000 [INT] | 34670 | Foam pad cover BioTec | 8 |
| | 57695 | BioTec ScreenMatic ² 60000 [INT] | | | |
| 34 | 57694 | BioTec ScreenMatic ² 40000 [INT] | 42895 | Replacement set blue BioTec 40-/90000 | 1 |
| | 57695 | BioTec ScreenMatic ² 60000 [INT] | 42896 | Repl. set foam blue BioTec 60/140/145 | 1 |
| 35 | 57694 | BioTec ScreenMatic ² 40000 [INT] | 26305 | Foam holder BioTec 12 | 8 |
| | 57695 | BioTec ScreenMatic ² 60000 [INT] | 34733 | Foam holder BioTec 18 / 36 | 8 |
| 36 | 57694 | BioTec ScreenMatic ² 40000 [INT] | 45325 | Foam holder locking clip BioTec | 2 |
| | 57695 | BioTec ScreenMatic ² 60000 [INT] | | | |
| 37 | 57694 | BioTec ScreenMatic ² 40000 [INT] | 42893 | Repl. set foam re/pu BioTec 40-/90000 | 3 |
| | 57695 | BioTec ScreenMatic ² 60000 [INT] | 42894 | Repl.set foam red/purpleBioTec60/140/145 | 3 |
| 38 | 57694 | BioTec ScreenMatic ² 40000 [INT] | 44308 | ASM brush holder ScreenMatic | 1 |
| | 57695 | BioTec ScreenMatic ² 60000 [INT] | | | |
| 39 | 57694 | BioTec ScreenMatic ² 40000 [INT] | 42450 | Mud flap cap | 1 |
| | 57695 | BioTec ScreenMatic ² 60000 [INT] | | | |

| Item no. | Product |
|----------|---------------------------------------|
| 46178 | BioTec ScreenMatic ² 90000 |

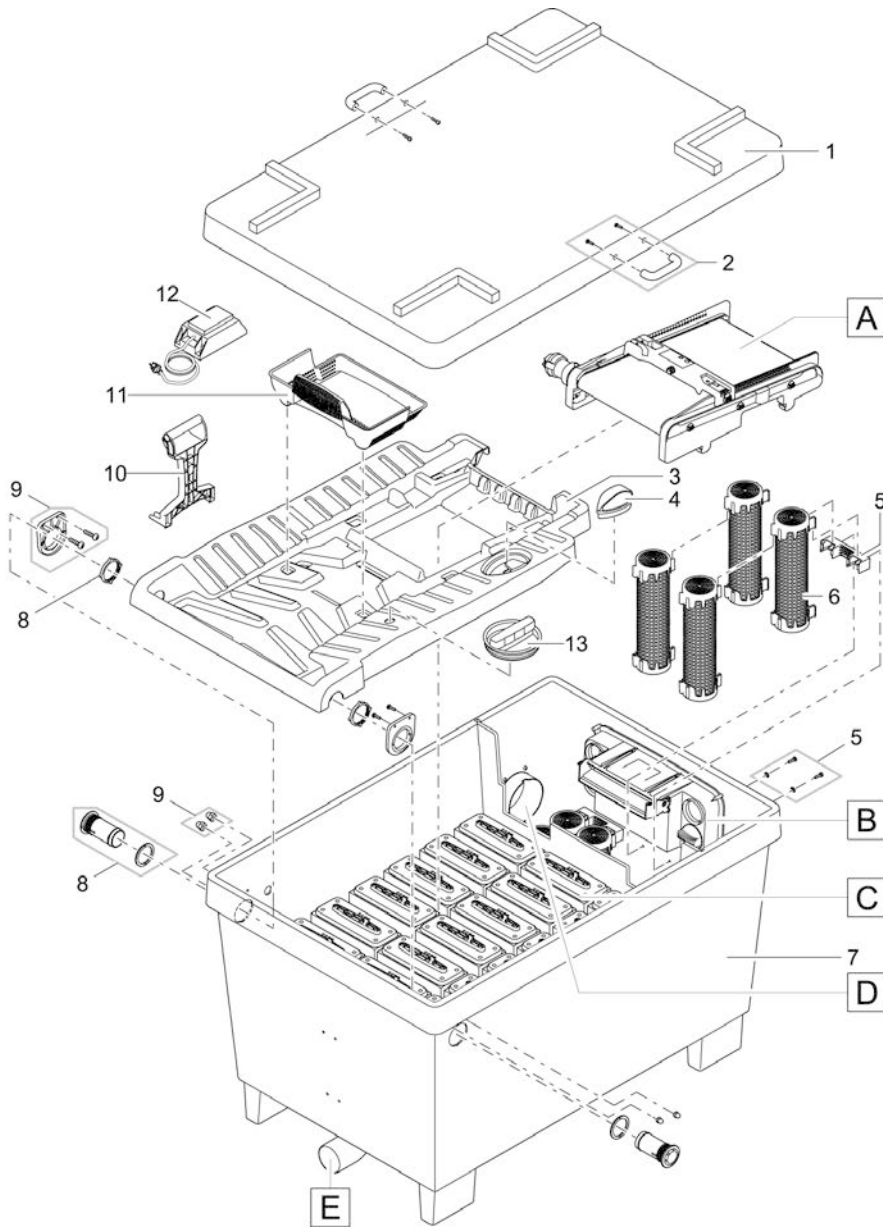


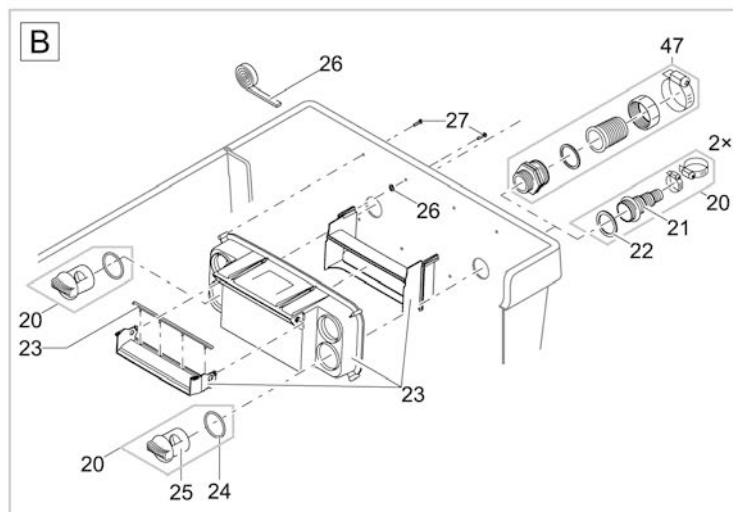
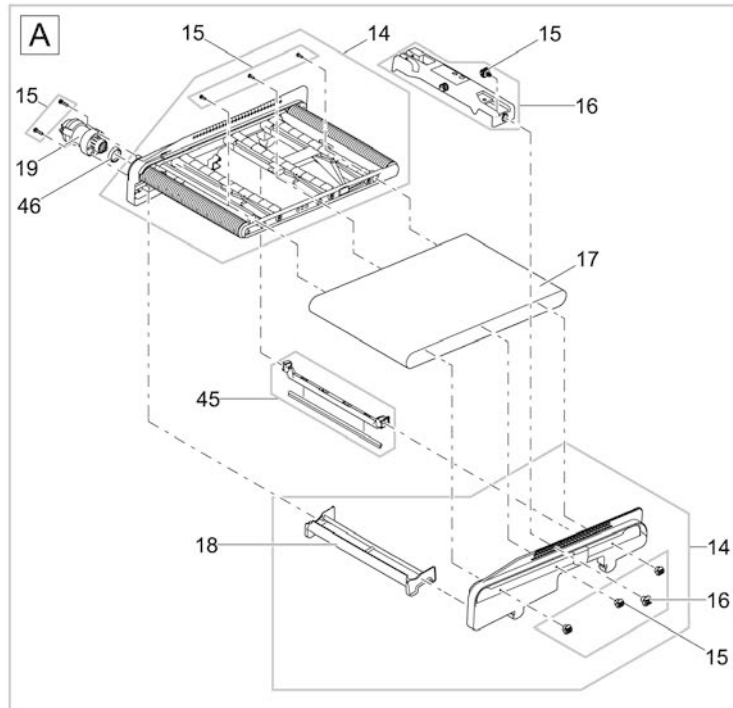


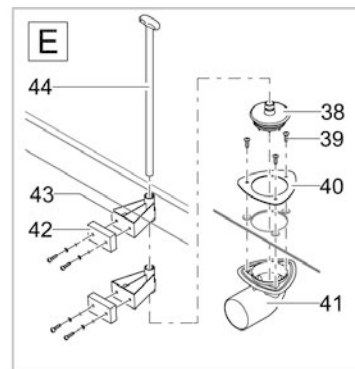
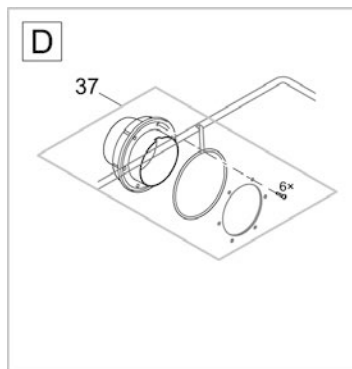
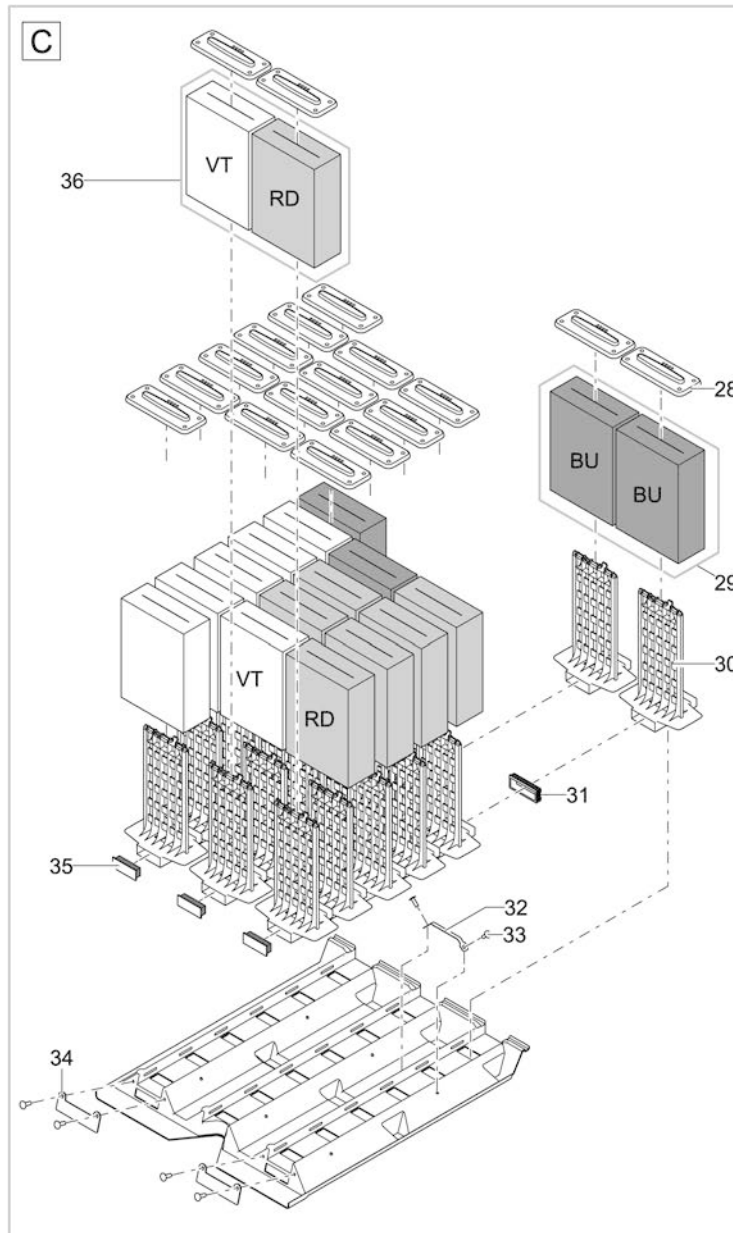


| Pos. | Item no. Product | Product | Item no. Spare part | Spare part | Number |
|------|---------------------|---|------------------------|--|--------|
| 1 | 46178 | BioTec ScreenMatic ² 90000 [INT] | 45320 | Spare ASM filter lid incl. design plate | 1 |
| 2 | 46178 | BioTec ScreenMatic ² 90000 [INT] | 30983 | Clip Bitron Eco / AquaMax | 1 |
| 3 | 46178 | BioTec ScreenMatic ² 90000 [INT] | 42346 | Mud basket BioTec ScreenMatic | 1 |
| 4 | 46178 | BioTec ScreenMatic ² 90000 [INT] | 42449 | Brush BioTec ScreenMatic | 1 |
| 5 | 46178 | BioTec ScreenMatic ² 90000 [INT] | 45323 | Screen holder BioTec ScreenMatic 90000 | 1 |
| 6 | 46178 | BioTec ScreenMatic ² 90000 [INT] | 25507 | Substrate pipe cpl. BioTec 18 / 36 | 1 |
| 7 | 46178 | BioTec ScreenMatic ² 90000 [INT] | 42342 | Partition wall BioTec ScreenMatic 90000 | 1 |
| 8 | 46178 | BioTec ScreenMatic ² 90000 [INT] | 47031 | Seal partition wall ScreenMatic 90000 | 1 |
| 9 | 46178 | BioTec ScreenMatic ² 90000 [INT] | 34830 | Pull rod plug | 2 |
| 10 | 46178 | BioTec ScreenMatic ² 90000 [INT] | 25624 | Pull rod BioTec 18 | 1 |
| 11 | 46178 | BioTec ScreenMatic ² 90000 [INT] | 49600 | ASM container BioTec ScreenMatic ² 90000 | 1 |
| 12 | 46178 | BioTec ScreenMatic ² 90000 [INT] | 44181 | Spare screen holder fixation 2015 | 1 |
| 13 | 46178 | BioTec ScreenMatic ² 90000 [INT] | 45252 | Cleaner BioTec 90000 | 1 |
| 14 | 46178 | BioTec ScreenMatic ² 90000 [INT] | 15118 | Transformer 6 VA 2m H05RN-F 2 x 0.75 mm ² | 1 |
| 15 | 46178 | BioTec ScreenMatic ² 90000 [INT] | 44173 | Plug BioTec ScreenMatic 140000 | 1 |
| 16 | 46178 | BioTec ScreenMatic ² 90000 [INT] | 42383 | ASM BioTec ScreenMatic 40/60/90000 | 1 |
| 17 | 46178 | BioTec ScreenMatic ² 90000 [INT] | 44178 | Spare small parts BioTec ScreenM. 2015 | 1 |
| 18 | 46178 | BioTec ScreenMatic ² 90000 [INT] | 44184 | Spare ASM controller ScreenM.40/60/90000 | 1 |
| 19 | 46178 | BioTec ScreenMatic ² 90000 [INT] | 42325 | Woven fabric BioTec ScreenM. 40000/60000 | 1 |
| 20 | 46178 | BioTec ScreenMatic ² 90000 [INT] | 44177 | ASM scraper with brush ScreenMatic 2015 | 1 |
| 21 | 46178 | BioTec ScreenMatic ² 90000 [INT] | 44183 | Spare traction unit BioTec ScreenMatic ² | 1 |
| 22 | 46178 | BioTec ScreenMatic ² 90000 [INT] | 48674 | Add. pack ScreenMatic ² 2017 | 1 |
| 23 | 46178 | BioTec ScreenMatic ² 90000 [INT] | 43749 | Step. grommet 1 1/2"+thread closed 2018 | 1 |
| 24 | 46178 | BioTec ScreenMatic ² 90000 [INT] | 19506 | Flat gasket NBR 60 x 47 x 3 SH40 | 1 |
| 25 | 46178 | BioTec ScreenMatic ² 90000 [INT] | 44337 | ASM distributor ScreenMatic 40000/60000 | 1 |
| 26 | 46178 | BioTec ScreenMatic ² 90000 [INT] | 25691 | O-Ring NBR 54 x 4 SH40 | 1 |
| 27 | 46178 | BioTec ScreenMatic ² 90000 [INT] | 42949 | Inlet locking nut BioTec ScreenMatic | 1 |
| 28 | 46178 | BioTec ScreenMatic ² 90000 [INT] | 44179 | Spare gasket seal distributor | 1 |
| 29 | 46178 | BioTec ScreenMatic ² 90000 [INT] | 25000 | Oval head screw CH-V2A DIN 7981 4,8 x 22 | 8 |
| 30 | 46178 | BioTec ScreenMatic ² 90000 [INT] | 48686 | ASM connection BioTec DN110 | 1 |
| 31 | 46178 | BioTec ScreenMatic ² 90000 [INT] | 44182 | Spare drain ASM BioTec | 1 |
| 32 | 46178 | BioTec ScreenMatic ² 90000 [INT] | 34859 | Gasket set outlet BioTec 12-18 / M1-M5 | 1 |
| 33 | 46178 | BioTec ScreenMatic ² 90000 [INT] | 34670 | Foam pad cover BioTec | 8 |
| 34 | 46178 | BioTec ScreenMatic ² 90000 [INT] | 42895 | Replacement set blue BioTec 40-/90000 | 2 |
| 35 | 46178 | BioTec ScreenMatic ² 90000 [INT] | 45254 | Foam holder BioTec 90000 | 8 |
| 36 | 46178 | BioTec ScreenMatic ² 90000 [INT] | 45325 | Foam holder locking clip BioTec | 2 |
| 37 | 46178 | BioTec ScreenMatic ² 90000 [INT] | 42893 | Repl. set foam re/pu BioTec 40-/90000 | 6 |
| 38 | 46178 | BioTec ScreenMatic ² 90000 [INT] | 45255 | Holder cleaner BioTec 90000 | 1 |
| 39 | 46178 | BioTec ScreenMatic ² 90000 [INT] | 42450 | Mud flap cap | 1 |
| 40 | 46178 | BioTec ScreenMatic ² 90000 [INT] | 34367 | Inlet 2" connection set BioTec 30 | 1 |

| Item no. | Product |
|----------|--|
| 57696 | BioTec ScreenMatic ² 140000 |

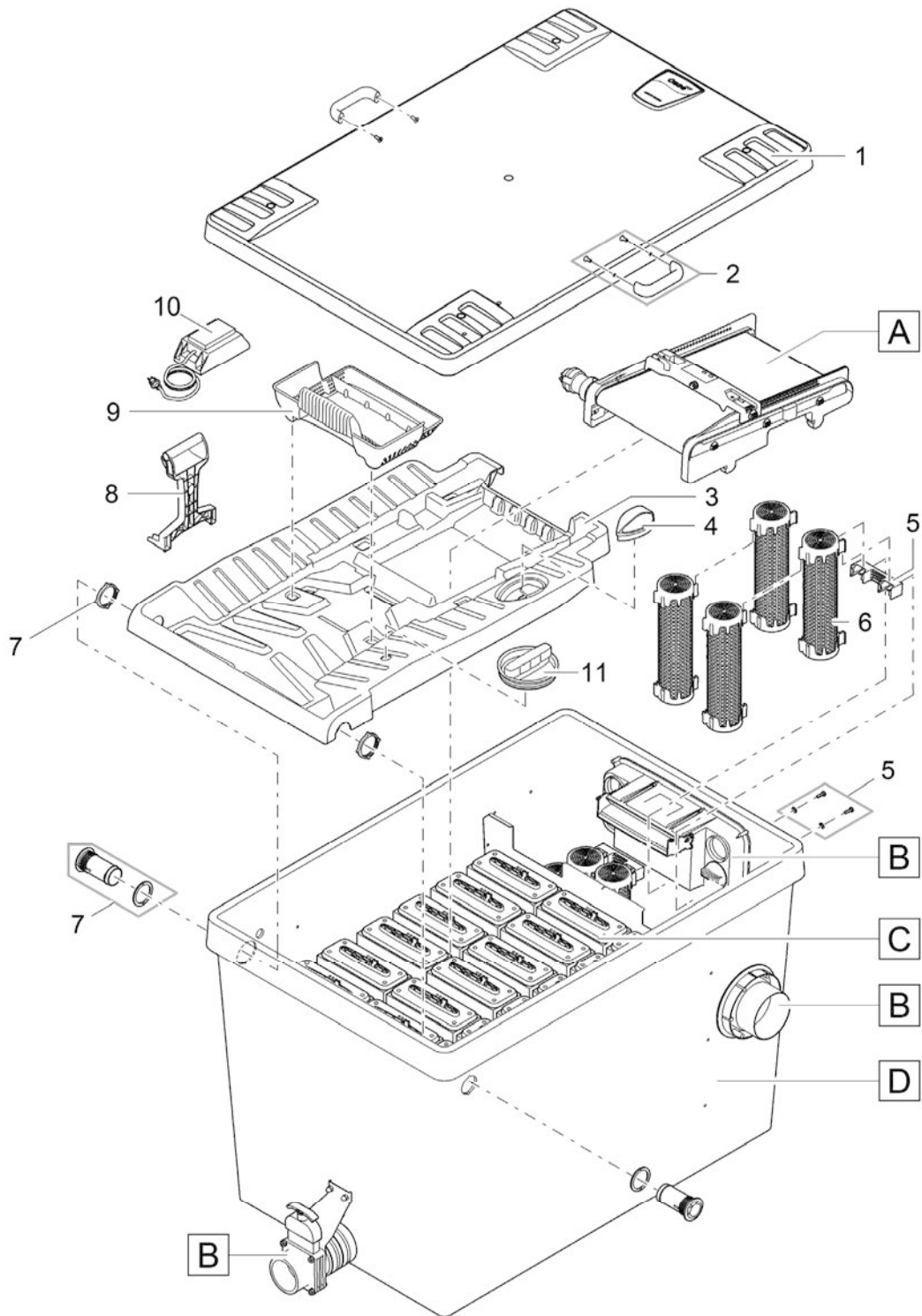




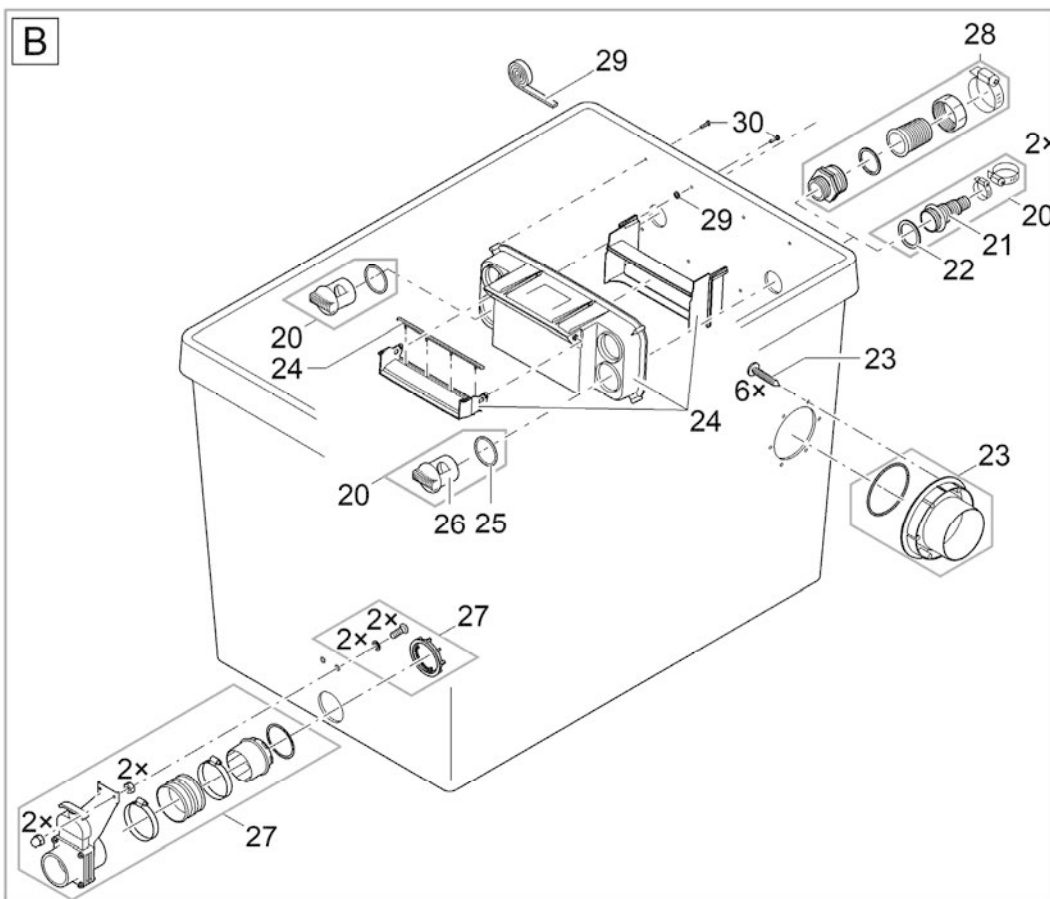
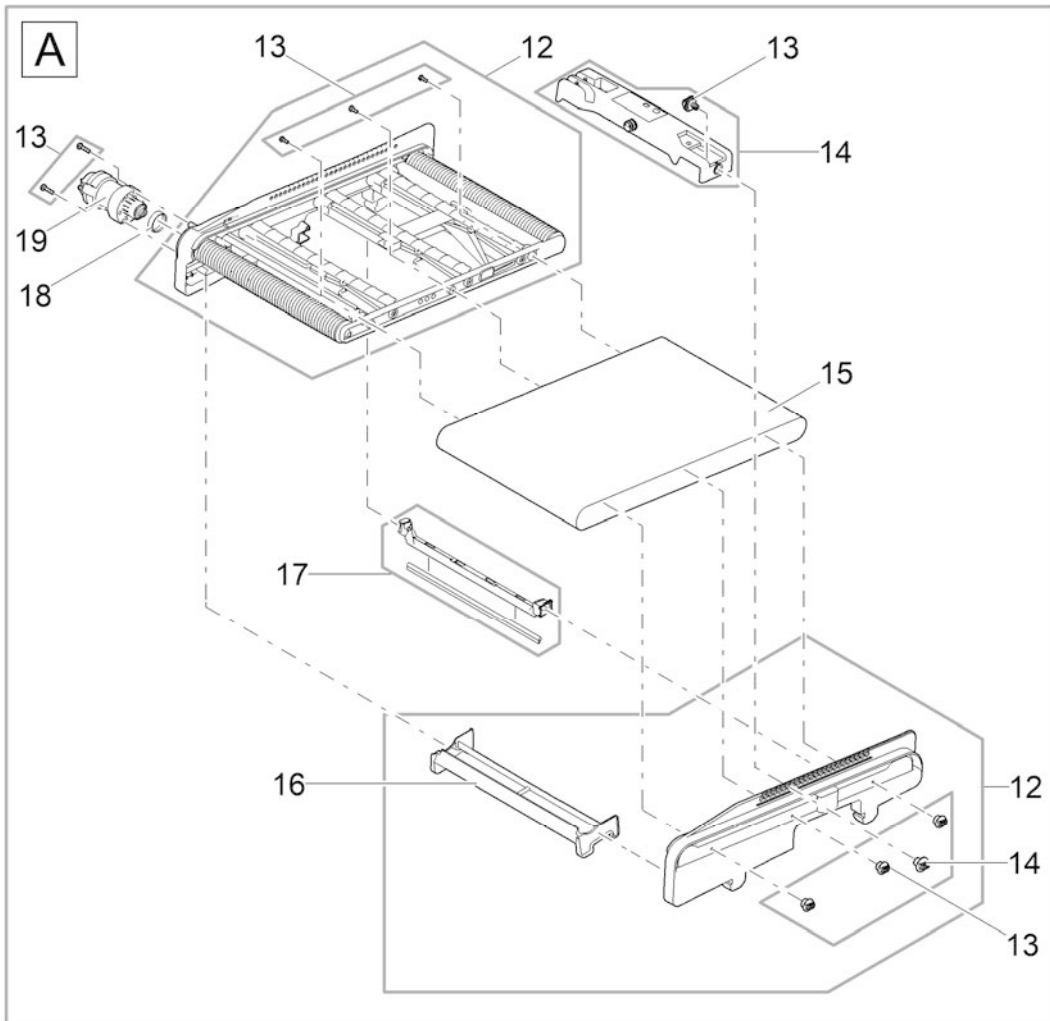


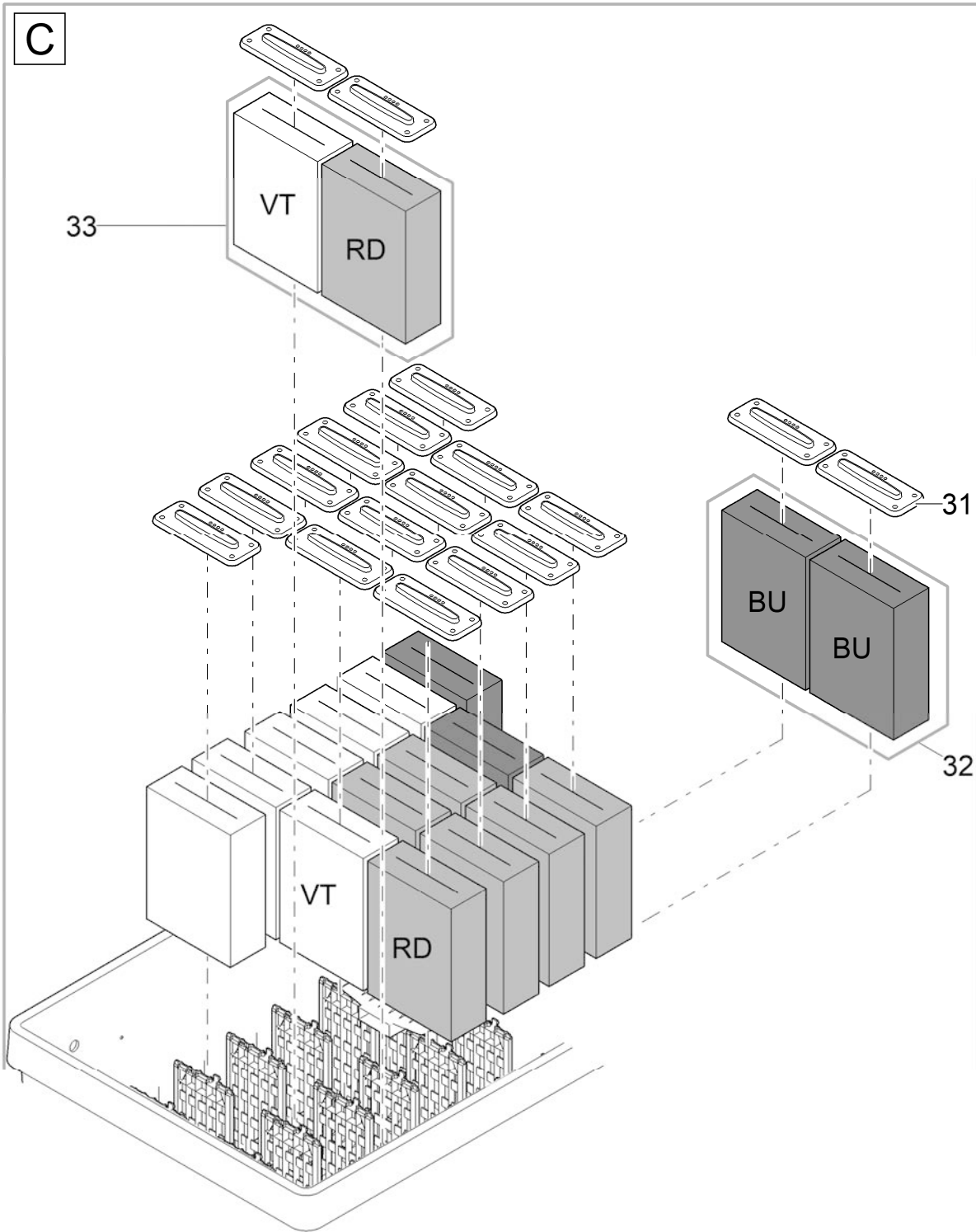
| Pos. | Item no. Product | Product | Item no. Spare part | Spare part | Number |
|------|---------------------|--|------------------------|--|--------|
| 1 | 57696 | BioTec ScreenMatic ² 140000 [INT] | 73381 | ASM cover ScreenMatic 140000/145000 | 1 |
| 2 | 57696 | BioTec ScreenMatic ² 140000 [INT] | 93094 | ASM handle BioTec ScreenMatic ² 145000 | 1 |
| 3 | 57696 | BioTec ScreenMatic ² 140000 [INT] | 42345 | Screen holder BioTec ScreenMatic 140000 | 1 |
| 4 | 57696 | BioTec ScreenMatic ² 140000 [INT] | 42449 | Brush BioTec ScreenMatic | 1 |
| 5 | 57696 | BioTec ScreenMatic ² 140000 [INT] | 34864 | Spare clip BioTec 36 | 1 |
| 6 | 57696 | BioTec ScreenMatic ² 140000 [INT] | 25507 | Substrate pipe cpl. BioTec 18 / 36 | 1 |
| 7 | 57696 | BioTec ScreenMatic ² 140000 [INT] | 43686 | Spare case BioTec ScreenMatic ² 140000 | 1 |
| 8 | 57696 | BioTec ScreenMatic ² 140000 [INT] | 44181 | Spare screen holder fixation 2015 | 1 |
| 9 | 57696 | BioTec ScreenMatic ² 140000 [INT] | 44336 | Spare wedge plate | 1 |
| 10 | 57696 | BioTec ScreenMatic ² 140000 [INT] | 34734 | Cleaner BioTec | 1 |
| 11 | 57696 | BioTec ScreenMatic ² 140000 [INT] | 42346 | Mud basket BioTec ScreenMatic | 1 |
| 12 | 57696 | BioTec ScreenMatic ² 140000 [INT] | 15118 | Transformer 6 VA 2m H05RN-F 2 x 0.75 mm ² | 1 |
| 13 | 57696 | BioTec ScreenMatic ² 140000 [INT] | 44173 | Plug BioTec ScreenMatic 140000 | 1 |
| 14 | 57696 | BioTec ScreenMatic ² 140000 [INT] | 42384 | ASM BioTec ScreenMatic 140000 | 1 |
| 15 | 57696 | BioTec ScreenMatic ² 140000 [INT] | 44178 | Spare small parts BioTec ScreenM. 2015 | 1 |
| 16 | 57696 | BioTec ScreenMatic ² 140000 [INT] | 44186 | Spare ASM controller ScreenMatic 140000 | 1 |
| 17 | 57696 | BioTec ScreenMatic ² 140000 [INT] | 42326 | Woven fabric BioTec ScreenMatic 140000 | 1 |
| 18 | 57696 | BioTec ScreenMatic ² 140000 [INT] | 44177 | ASM scraper with brush ScreenMatic 2015 | 1 |
| 19 | 57696 | BioTec ScreenMatic ² 140000 [INT] | 44183 | Spare traction unit BioTec ScreenMatic ² | 1 |
| 20 | 57696 | BioTec ScreenMatic ² 140000 [INT] | 48674 | Add. pack ScreenMatic ² 2017 | 1 |
| 21 | 57696 | BioTec ScreenMatic ² 140000 [INT] | 43749 | Step. grommet 1 1/2"+thread closed 2018 | 1 |
| 22 | 57696 | BioTec ScreenMatic ² 140000 [INT] | 19506 | Flat gasket NBR 60 x 47 x 3 SH40 | 1 |
| 23 | 57696 | BioTec ScreenMatic ² 140000 [INT] | 44338 | ASM distributor ScreenMatic 140000 | 1 |
| 24 | 57696 | BioTec ScreenMatic ² 140000 [INT] | 25691 | O-Ring NBR 54 x 4 SH40 | 1 |
| 25 | 57696 | BioTec ScreenMatic ² 140000 [INT] | 42949 | Inlet locking nut BioTec ScreenMatic | 1 |
| 26 | 57696 | BioTec ScreenMatic ² 140000 [INT] | 44179 | Spare gasket seal distributor | 1 |
| 27 | 57696 | BioTec ScreenMatic ² 140000 [INT] | 25000 | Oval head screw CH-V2A DIN 7981 4.8 x 22 | 1 |
| 28 | 57696 | BioTec ScreenMatic ² 140000 [INT] | 34670 | Foam pad cover BioTec | 1 |
| 29 | 57696 | BioTec ScreenMatic ² 140000 [INT] | 42896 | Repl. set foam blue BioTec 60/140/145 | 1 |
| 30 | 57696 | BioTec ScreenMatic ² 140000 [INT] | 34733 | Foam holder BioTec 18 / 36 | 1 |
| 31 | 57696 | BioTec ScreenMatic ² 140000 [INT] | 25542 | Gasket foam holder BioTec 36 | 1 |
| 32 | 57696 | BioTec ScreenMatic ² 140000 [INT] | 25922 | Clip foam holder BioTec 36 | 1 |
| 33 | 57696 | BioTec ScreenMatic ² 140000 [INT] | 25546 | Rivet skiffi BioTec 36 | 1 |
| 34 | 57696 | BioTec ScreenMatic ² 140000 [INT] | 25547 | Sealing BioTec 36 128 x 47 SH40 | 1 |
| 35 | 57696 | BioTec ScreenMatic ² 140000 [INT] | 45325 | Foam holder locking clip BioTec | 1 |
| 36 | 57696 | BioTec ScreenMatic ² 140000 [INT] | 42894 | Repl.set foam red/purpleBioTec60/140/145 | 1 |
| 37 | 57696 | BioTec ScreenMatic ² 140000 [INT] | 19005 | ASM connection set DN 110 | 1 |
| 38 | 57696 | BioTec ScreenMatic ² 140000 [INT] | 35255 | Spare part plug BioTec 36 | 1 |
| 39 | 57696 | BioTec ScreenMatic ² 140000 [INT] | 24229 | Screw CH-V2A DIN 7983 6.3 x 25 | 1 |
| 40 | 57696 | BioTec ScreenMatic ² 140000 [INT] | 24230 | Flat gasket bottom drain BioTec 36 | 1 |
| 41 | 57696 | BioTec ScreenMatic ² 140000 [INT] | 34253 | Drain bend | 1 |
| 42 | 57696 | BioTec ScreenMatic ² 140000 [INT] | 25996 | Distance part BioTec 36 | 1 |
| 43 | 57696 | BioTec ScreenMatic ² 140000 [INT] | 34835 | Outlet guide BioTec 36 | 1 |
| 44 | 57696 | BioTec ScreenMatic ² 140000 [INT] | 44188 | ASM drain lever cpl. BioTec 140000 | 1 |
| 45 | 57696 | BioTec ScreenMatic ² 140000 [INT] | 44308 | ASM brush holder ScreenMatic | 1 |
| 46 | 57696 | BioTec ScreenMatic ² 140000 [INT] | 42450 | Mud flap cap | 1 |
| 47 | 57696 | BioTec ScreenMatic ² 140000 [INT] | 34367 | Inlet 2" connection set BioTec 30 | 1 |

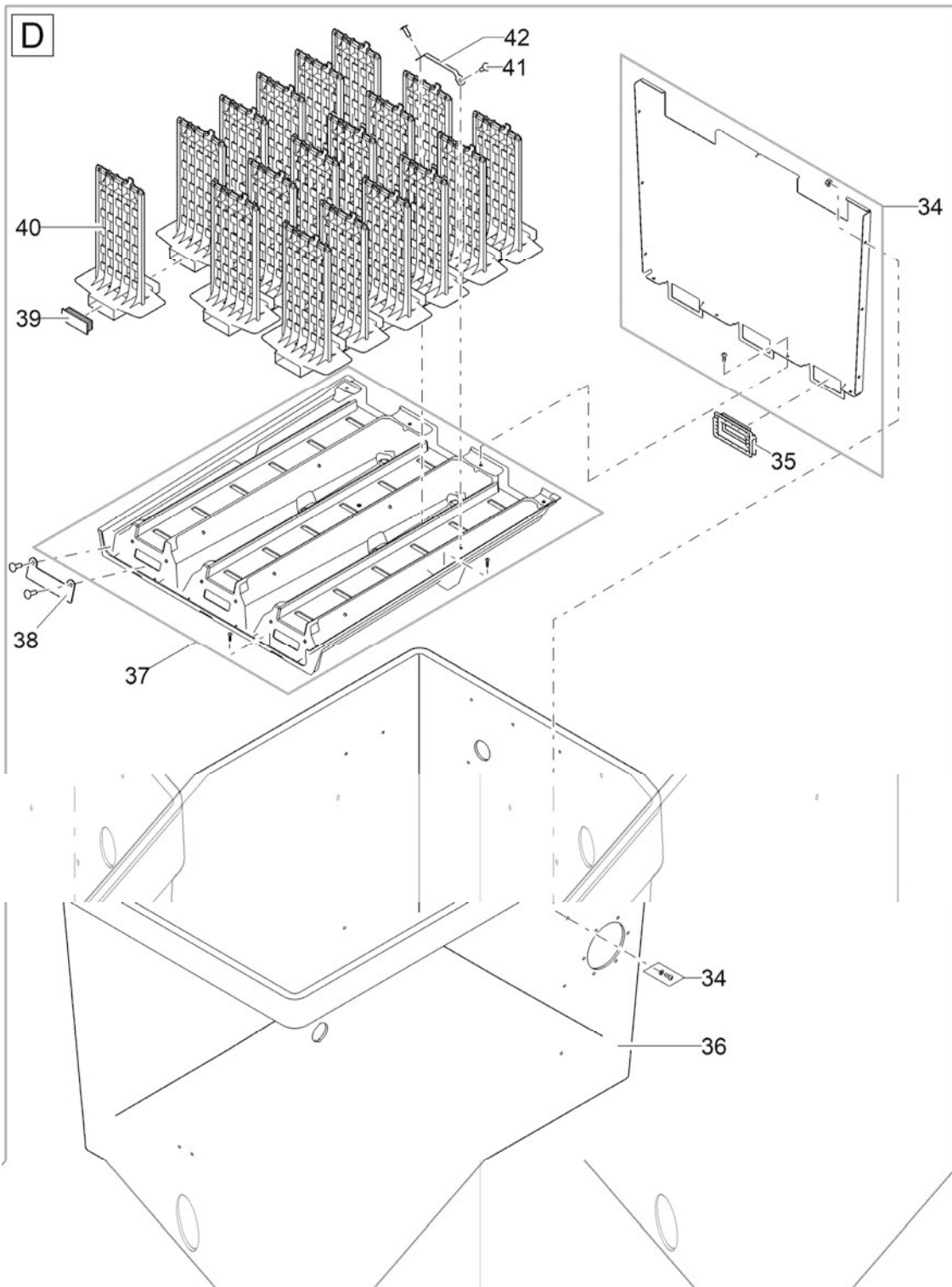
| Item no. | Product |
|----------|--|
| 93037 | BioTec ScreenMatic ² 145000 |



BTC0112

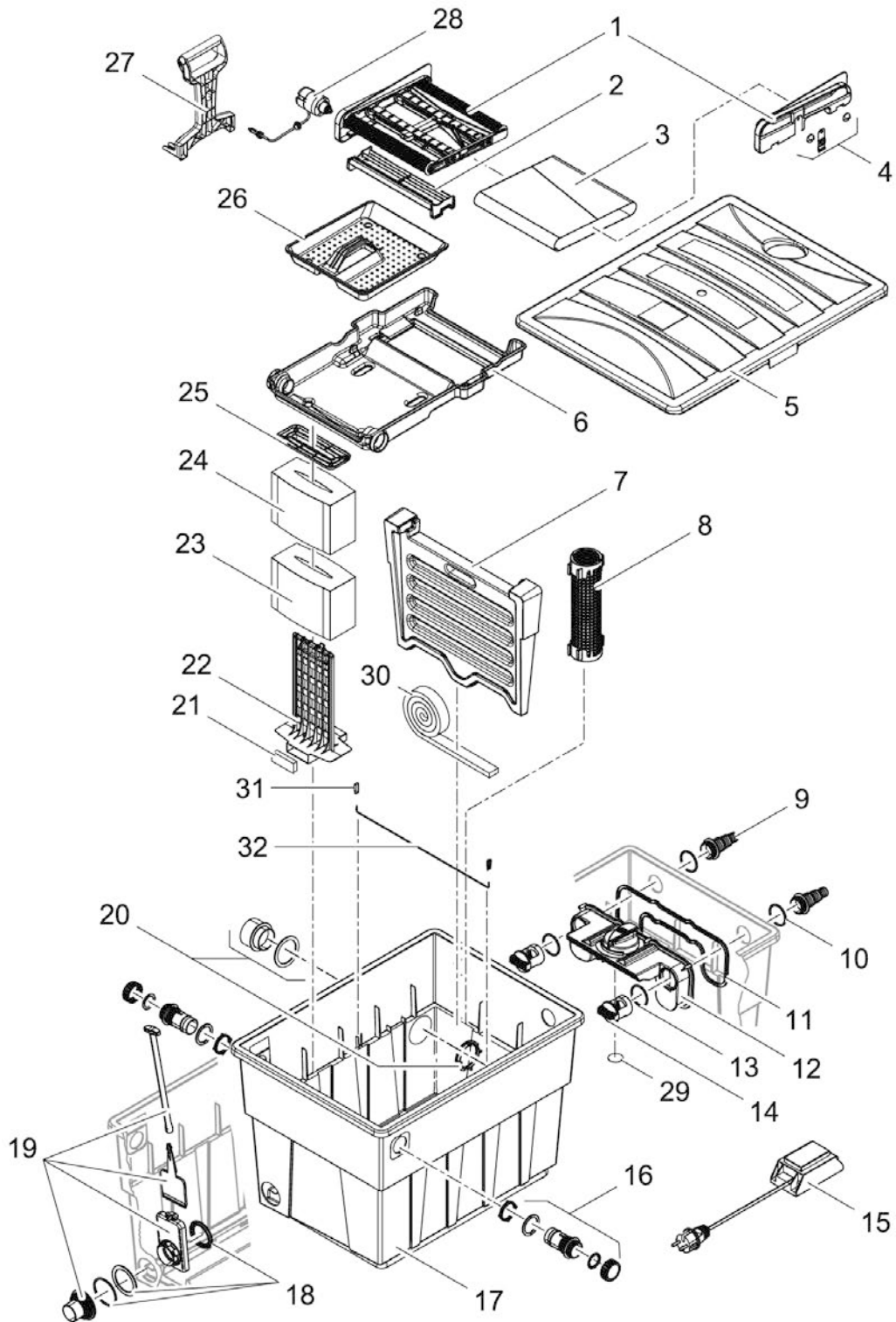






| Pos. | Item no. Product | Product | Item no. Spare part | Spare part | Number |
|------|---------------------|--|------------------------|--|--------|
| 1 | 93037 | BioTec ScreenMatic ² 145000 [INT] | 73381 | ASM cover ScreenMatic 140000/145000 | 1 |
| 2 | 93037 | BioTec ScreenMatic ² 145000 [INT] | 93094 | ASM handle BioTec ScreenMatic ² 145000 | 1 |
| 3 | 93037 | BioTec ScreenMatic ² 145000 [INT] | 42345 | Screen holder BioTec ScreenMatic 140000 | 1 |
| 4 | 93037 | BioTec ScreenMatic ² 145000 [INT] | 42449 | Brush BioTec ScreenMatic | 1 |
| 5 | 93037 | BioTec ScreenMatic ² 145000 [INT] | 34864 | Spare clip BioTec 36 | 1 |
| 6 | 93037 | BioTec ScreenMatic ² 145000 [INT] | 25507 | Substrate pipe cpl. BioTec 18 / 36 | 1 |
| 7 | 93037 | BioTec ScreenMatic ² 145000 [INT] | 44181 | Spare screen holder fixation 2015 | 1 |
| 8 | 93037 | BioTec ScreenMatic ² 145000 [INT] | 45252 | Cleaner BioTec 90000 | 1 |
| 9 | 93037 | BioTec ScreenMatic ² 145000 [INT] | 42346 | Mud basket BioTec ScreenMatic | 1 |
| 10 | 93037 | BioTec ScreenMatic ² 145000 [INT] | 15118 | Transformer 6 VA 2m H05RN-F 2 x 0.75 mm ² | 1 |
| 11 | 93037 | BioTec ScreenMatic ² 145000 [INT] | 44173 | Plug BioTec ScreenMatic 140000 | 1 |
| 12 | 93037 | BioTec ScreenMatic ² 145000 [INT] | 42384 | ASM BioTec ScreenMatic 140000 | 1 |
| 13 | 93037 | BioTec ScreenMatic ² 145000 [INT] | 44178 | Spare small parts BioTec ScreenM. 2015 | 1 |
| 14 | 93037 | BioTec ScreenMatic ² 145000 [INT] | 44186 | Spare ASM controller ScreenMatic 140000 | 1 |
| 15 | 93037 | BioTec ScreenMatic ² 145000 [INT] | 42326 | Woven fabric BioTec ScreenMatic 140000 | 1 |
| 16 | 93037 | BioTec ScreenMatic ² 145000 [INT] | 44177 | ASM scraper with brush ScreenMatic 2015 | 1 |
| 17 | 93037 | BioTec ScreenMatic ² 145000 [INT] | 44308 | ASM brush holder ScreenMatic | 1 |
| 18 | 93037 | BioTec ScreenMatic ² 145000 [INT] | 42450 | Mud flap cap | 1 |
| 19 | 93037 | BioTec ScreenMatic ² 145000 [INT] | 44183 | Spare traction unit BioTec ScreenMatic ² | 1 |
| 20 | 93037 | BioTec ScreenMatic ² 145000 [INT] | 48674 | Add. pack ScreenMatic ² 2017 | 1 |
| 21 | 93037 | BioTec ScreenMatic ² 145000 [INT] | 43749 | Step. grommet 1 1/2"+thread closed 2018 | 1 |
| 22 | 93037 | BioTec ScreenMatic ² 145000 [INT] | 19506 | Flat gasket NBR 60 x 47 x 3 SH40 | 1 |
| 23 | 93037 | BioTec ScreenMatic ² 145000 [INT] | 77507 | Spare connection set DN110 short | 1 |
| 24 | 93037 | BioTec ScreenMatic ² 145000 [INT] | 44338 | ASM distributor ScreenMatic 140000 | 1 |
| 25 | 93037 | BioTec ScreenMatic ² 145000 [INT] | 25691 | O-Ring NBR 54 x 4 SH40 | 1 |
| 26 | 93037 | BioTec ScreenMatic ² 145000 [INT] | 42949 | Inlet locking nut BioTec ScreenMatic | 1 |
| 27 | 93037 | BioTec ScreenMatic ² 145000 [INT] | 70636 | Spare drain DN75 XL | 1 |
| 28 | 93037 | BioTec ScreenMatic ² 145000 [INT] | 34367 | Inlet 2" connection set BioTec 30 | 1 |
| 29 | 93037 | BioTec ScreenMatic ² 145000 [INT] | 44179 | Spare gasket seal distributor | 1 |
| 30 | 93037 | BioTec ScreenMatic ² 145000 [INT] | 34784 | Oval head screw Torx V2A DIN7981 4.8x22 | 1 |
| 31 | 93037 | BioTec ScreenMatic ² 145000 [INT] | 34670 | Foam pad cover BioTec | 1 |
| 32 | 93037 | BioTec ScreenMatic ² 145000 [INT] | 42896 | Repl. set foam blue BioTec 60/140/145 | 1 |
| 33 | 93037 | BioTec ScreenMatic ² 145000 [INT] | 42894 | Repl.set foam red/purpleBioTec60/140/145 | 1 |
| 34 | 93037 | BioTec ScreenMatic ² 145000 [INT] | 93460 | Spare partition wall BioTec SM ² 145000 | 1 |
| 35 | 93037 | BioTec ScreenMatic ² 145000 [INT] | 93101 | Gasket seperating wall BioTec SM ² 145000 | 1 |
| 36 | 93037 | BioTec ScreenMatic ² 145000 [INT] | 93103 | Container BioTec ScreenMatic ² 145000 | 1 |
| 37 | 93037 | BioTec ScreenMatic ² 145000 [INT] | 93461 | Spare base plate BioTec SM ² 145000 | 1 |
| 38 | 93037 | BioTec ScreenMatic ² 145000 [INT] | 25547 | Sealing BioTec 36 128 x 47 SH40 | 1 |
| 39 | 93037 | BioTec ScreenMatic ² 145000 [INT] | 45325 | Foam holder locking clip BioTec | 1 |
| 40 | 93037 | BioTec ScreenMatic ² 145000 [INT] | 34733 | Foam holder BioTec 18 / 36 | 1 |
| 41 | 93037 | BioTec ScreenMatic ² 145000 [INT] | 25546 | Rivet skiffi BioTec 36 | 1 |
| 42 | 93037 | BioTec ScreenMatic ² 145000 [INT] | 25922 | Clip foam holder BioTec 36 | 1 |

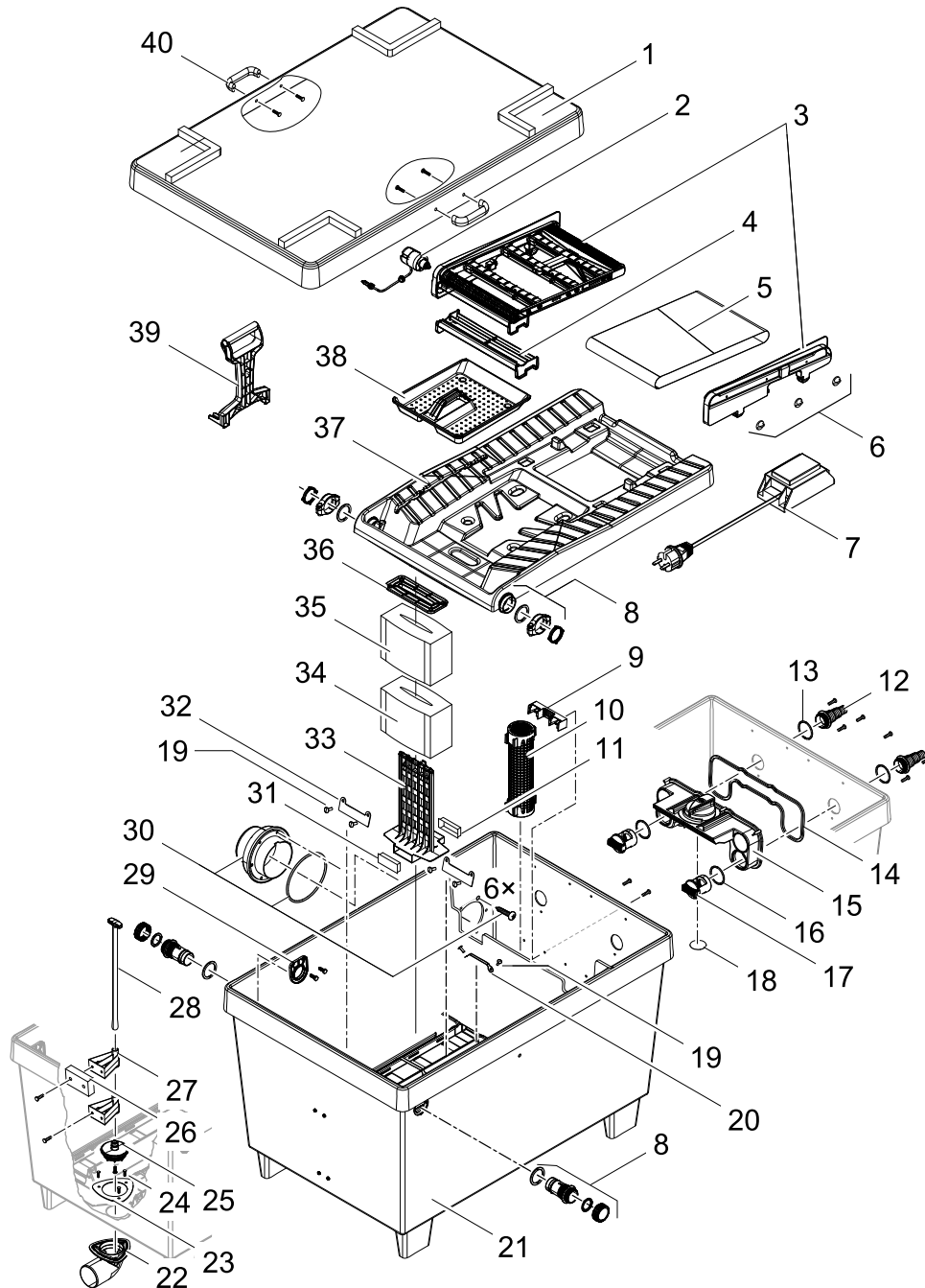
| Item no. | Product |
|----------|--------------------------|
| 57127 | BioTec ScreenMatic 12 |
| 57213 | GB BioTec ScreenMatic 12 |



| Pos. | Item no. Product | Product | Item no. Spare part | Spare part | Number |
|------|---------------------|-----------------------------|------------------------|--|--------|
| 1 | 57127 | BioTec ScreenMatic 12 [INT] | 42383 | ASM BioTec ScreenMatic 40/60/90000 | 1 |
| | 57213 | BioTec ScreenMatic 12 [GB] | | | |
| 2 | 57127 | BioTec ScreenMatic 12 [INT] | 44177 | ASM scraper with brush ScreenMatic 2015 | 1 |
| | 57213 | BioTec ScreenMatic 12 [GB] | | | |
| 3 | 57127 | BioTec ScreenMatic 12 [INT] | 42325 | Woven fabric BioTec ScreenM. 40000/60000 | 1 |
| | 57213 | BioTec ScreenMatic 12 [GB] | | | |
| 4 | 57127 | BioTec ScreenMatic 12 [INT] | 44178 | Spare small parts BioTec ScreenM. 2015 | 1 |
| | 57213 | BioTec ScreenMatic 12 [GB] | | | |
| 5 | 57127 | BioTec ScreenMatic 12 [INT] | 45320 | Spare ASM filter lid incl. design plate | 1 |
| | 57213 | BioTec ScreenMatic 12 [GB] | | | |
| 6 | 57127 | BioTec ScreenMatic 12 [INT] | 28372 | Screen holder BioTec ScreenMatic 12 / 18 | 1 |
| | 57213 | BioTec ScreenMatic 12 [GB] | | | |
| 7 | 57127 | BioTec ScreenMatic 12 [INT] | 28376 | Partition wall BioTec ScreenMatic 12 | 1 |
| | 57213 | BioTec ScreenMatic 12 [GB] | | | |
| 8 | 57127 | BioTec ScreenMatic 12 [INT] | 26304 | Substrate pipe cpl. BioTec 12 | 4 |
| | 57213 | BioTec ScreenMatic 12 [GB] | | | |
| 9 | 57127 | BioTec ScreenMatic 12 [INT] | 43749 | Step. grommet 1 1/2"+thread closed 2018 | 1 |
| | 57213 | BioTec ScreenMatic 12 [GB] | | | |
| 10 | 57127 | BioTec ScreenMatic 12 [INT] | 19506 | Flat gasket NBR 60 x 47 x 3 SH40 | 1 |
| | 57213 | BioTec ScreenMatic 12 [GB] | | | |
| 11 | 57127 | BioTec ScreenMatic 12 [INT] | 44179 | Spare gasket seal distributor | 1 |
| | 57213 | BioTec ScreenMatic 12 [GB] | | | |
| 12 | 57127 | BioTec ScreenMatic 12 [INT] | 34844 | ASM distributor BioTec 12 - 18 | 1 |
| | 57213 | BioTec ScreenMatic 12 [GB] | | | |
| 13 | 57127 | BioTec ScreenMatic 12 [INT] | 25691 | O-Ring NBR 54 x 4 SH40 | 1 |
| | 57213 | BioTec ScreenMatic 12 [GB] | | | |
| 14 | 57127 | BioTec ScreenMatic 12 [INT] | 42949 | Inlet locking nut BioTec ScreenMatic | 1 |
| | 57213 | BioTec ScreenMatic 12 [GB] | | | |
| 15 | 57127 | BioTec ScreenMatic 12 [INT] | 10349 | ASM timer BioTec ScreenMatic | 1 |
| | 57213 | BioTec ScreenMatic 12 [GB] | | | |
| 16 | 57127 | BioTec ScreenMatic 12 [INT] | 83926 | Screenex fixing set BioTec 18 2020 | 1 |
| | 57213 | BioTec ScreenMatic 12 [GB] | | | |
| 17 | 57127 | BioTec ScreenMatic 12 [INT] | 15428 | Filter box BioTec 12 pierced | 1 |
| | 57213 | BioTec ScreenMatic 12 [GB] | | | |
| 18 | 57127 | BioTec ScreenMatic 12 [INT] | 34859 | Gasket set outlet BioTec 12-18 / M1-M5 | 1 |
| | 57213 | BioTec ScreenMatic 12 [GB] | | | |
| 19 | 57127 | BioTec ScreenMatic 12 [INT] | 44182 | Spare drain ASM BioTec | 1 |
| | 57213 | BioTec ScreenMatic 12 [GB] | | | |
| 20 | 57127 | BioTec ScreenMatic 12 [INT] | 45321 | Spare ASM drainage set BioTec 40/60000 | 1 |
| | 57213 | BioTec ScreenMatic 12 [GB] | | | |
| 21 | 57127 | BioTec ScreenMatic 12 [INT] | 45325 | Foam holder locking clip BioTec | 1 |
| | 57213 | BioTec ScreenMatic 12 [GB] | | | |
| 22 | 57127 | BioTec ScreenMatic 12 [INT] | 26305 | Foam holder BioTec 12 | 8 |
| | 57213 | BioTec ScreenMatic 12 [GB] | | | |
| 23 | 57127 | BioTec ScreenMatic 12 [INT] | 42893 | Repl. set foam re/pu BioTec 40-/90000 | 4 |
| | 57213 | BioTec ScreenMatic 12 [GB] | | | |
| 24 | 57127 | BioTec ScreenMatic 12 [INT] | 42895 | Replacement set blue BioTec 40-/90000 | 4 |
| | 57213 | BioTec ScreenMatic 12 [GB] | | | |

| Pos. | Item no. Product | Product | Item no. Spare part | Spare part | Number |
|------|---------------------|-----------------------------|------------------------|--|--------|
| 25 | 57127 | BioTec ScreenMatic 12 [INT] | 34670 | Foam pad cover BioTec | 8 |
| | 57213 | BioTec ScreenMatic 12 [GB] | | | |
| 26 | 57127 | BioTec ScreenMatic 12 [INT] | 28371 | Debris collec. basket ScreenM 12/18/36 | 1 |
| | 57213 | BioTec ScreenMatic 12 [GB] | | | |
| 27 | 57127 | BioTec ScreenMatic 12 [INT] | 34734 | Cleaner BioTec | 1 |
| | 57213 | BioTec ScreenMatic 12 [GB] | | | |
| 28 | 57127 | BioTec ScreenMatic 12 [INT] | 45196 | Spare traction unit BioTec ScreenM. 2014 | 1 |
| | 57213 | BioTec ScreenMatic 12 [GB] | | | |
| 29 | 57127 | BioTec ScreenMatic 12 [INT] | 26611 | Cover distributor GPN 915 / 35 black | 1 |
| | 57213 | BioTec ScreenMatic 12 [GB] | | | |
| 30 | 57127 | BioTec ScreenMatic 12 [INT] | 84923 | Spare gasket partition BioT. ScreenMatic | 1 |
| | 57213 | BioTec ScreenMatic 12 [GB] | | | |
| 31 | 57127 | BioTec ScreenMatic 12 [INT] | 34830 | Pull rod plug | 2 |
| | 57213 | BioTec ScreenMatic 12 [GB] | | | 1 |
| 32 | 57127 | BioTec ScreenMatic 12 [INT] | 25624 | Pull rod BioTec 18 | 1 |
| | 57213 | BioTec ScreenMatic 12 [GB] | | | |

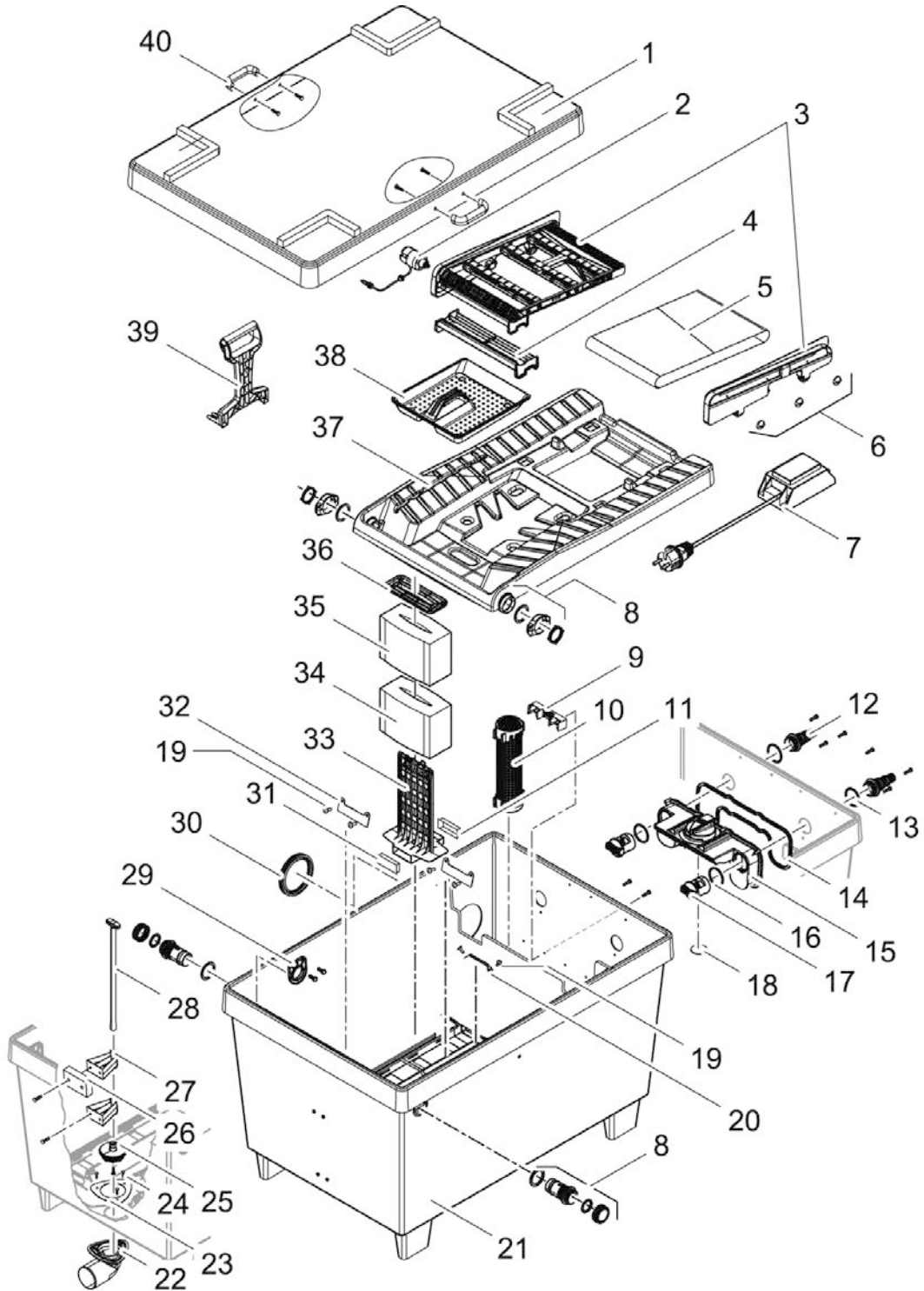
| Item no. | Product |
|----------|--------------------------|
| 51259 | BioTec ScreenMatic 36 |
| 51264 | GB BioTec ScreenMatic 36 |



| Pos. | Item no. Product | Product | Item no. Spare part | Spare part | Number |
|------|---------------------|-----------------------------|------------------------|--|--------|
| 1 | 51259 | BioTec ScreenMatic 36 [INT] | 73381 | ASM cover ScreenMatic 140000/145000 | 1 |
| | 51264 | BioTec ScreenMatic 36 [GB] | | | |
| 2 | 51259 | BioTec ScreenMatic 36 [INT] | 45196 | Spare traction unit BioTec ScreenM. 2014 | 1 |
| | 51264 | BioTec ScreenMatic 36 [GB] | | | |
| 3 | 51259 | BioTec ScreenMatic 36 [INT] | 42384 | ASM BioTec ScreenMatic 140000 | 1 |
| | 51264 | BioTec ScreenMatic 36 [GB] | | | |
| 4 | 51259 | BioTec ScreenMatic 36 [INT] | 44177 | ASM scraper with brush ScreenMatic 2015 | 1 |
| | 51264 | BioTec ScreenMatic 36 [GB] | | | |
| 5 | 51259 | BioTec ScreenMatic 36 [INT] | 42326 | Woven fabric BioTec ScreenMatic 140000 | 1 |
| | 51264 | BioTec ScreenMatic 36 [GB] | | | |
| 6 | 51259 | BioTec ScreenMatic 36 [INT] | 44178 | Spare small parts BioTec ScreenM. 2015 | 1 |
| | 51264 | BioTec ScreenMatic 36 [GB] | | | |
| 7 | 51259 | BioTec ScreenMatic 36 [INT] | 10349 | ASM timer BioTec ScreenMatic | 1 |
| | 51264 | BioTec ScreenMatic 36 [GB] | | | |
| 8 | 51259 | BioTec ScreenMatic 36 [INT] | 83926 | Screenex fixing set BioTec 18 2020 | 1 |
| | 51264 | BioTec ScreenMatic 36 [GB] | | | |
| 9 | 51259 | BioTec ScreenMatic 36 [INT] | 34864 | Spare clip BioTec 36 | 1 |
| | 51264 | BioTec ScreenMatic 36 [GB] | | | |
| 10 | 51259 | BioTec ScreenMatic 36 [INT] | 25507 | Substrate pipe cpl. BioTec 18 / 36 | 12 |
| | 51264 | BioTec ScreenMatic 36 [GB] | | | |
| 11 | 51259 | BioTec ScreenMatic 36 [INT] | 25542 | Gasket foam holder BioTec 36 | 1 |
| | 51264 | BioTec ScreenMatic 36 [GB] | | | |
| 12 | 51259 | BioTec ScreenMatic 36 [INT] | 43749 | Step. grommet 1 1/2"+thread closed 2018 | 1 |
| | 51264 | BioTec ScreenMatic 36 [GB] | | | |
| 13 | 51259 | BioTec ScreenMatic 36 [INT] | 19506 | Flat gasket NBR 60 x 47 x 3 SH40 | 1 |
| | 51264 | BioTec ScreenMatic 36 [GB] | | | |
| 14 | 51259 | BioTec ScreenMatic 36 [INT] | 44179 | Spare gasket seal distributor | 1 |
| | 51264 | BioTec ScreenMatic 36 [GB] | | | |
| 15 | 51259 | BioTec ScreenMatic 36 [INT] | 34855 | ASM distributor BioTec 36 | 1 |
| | 51264 | BioTec ScreenMatic 36 [GB] | | | |
| 16 | 51259 | BioTec ScreenMatic 36 [INT] | 25691 | O-Ring NBR 54 x 4 SH40 | 1 |
| | 51264 | BioTec ScreenMatic 36 [GB] | | | |
| 17 | 51259 | BioTec ScreenMatic 36 [INT] | 42949 | Inlet locking nut BioTec ScreenMatic | 1 |
| | 51264 | BioTec ScreenMatic 36 [GB] | | | |
| 18 | 51259 | BioTec ScreenMatic 36 [INT] | 26611 | Cover distributor GPN 915 / 35 black | 1 |
| | 51264 | BioTec ScreenMatic 36 [GB] | | | |
| 19 | 51259 | BioTec ScreenMatic 36 [INT] | 25546 | Rivet skiffi BioTec 36 | 16 |
| | 51264 | BioTec ScreenMatic 36 [GB] | | | |
| 20 | 51259 | BioTec ScreenMatic 36 [INT] | 25922 | Clip foam holder BioTec 36 | 1 |
| | 51264 | BioTec ScreenMatic 36 [GB] | | | |
| 21 | 51259 | BioTec ScreenMatic 36 [INT] | 21530 | Spare case BioTec ScreenMatic 36 | 1 |
| | 51264 | BioTec ScreenMatic 36 [GB] | | | |
| 22 | 51259 | BioTec ScreenMatic 36 [INT] | 34253 | Drain bend | 1 |
| | 51264 | BioTec ScreenMatic 36 [GB] | | | |
| 23 | 51259 | BioTec ScreenMatic 36 [INT] | 24230 | Flat gasket bottom drain BioTec 36 | 1 |
| | 51264 | BioTec ScreenMatic 36 [GB] | | | |
| 24 | 51259 | BioTec ScreenMatic 36 [INT] | 24229 | Screw CH-V2A DIN 7983 6.3 x 25 | 1 |
| | 51264 | BioTec ScreenMatic 36 [GB] | | | |

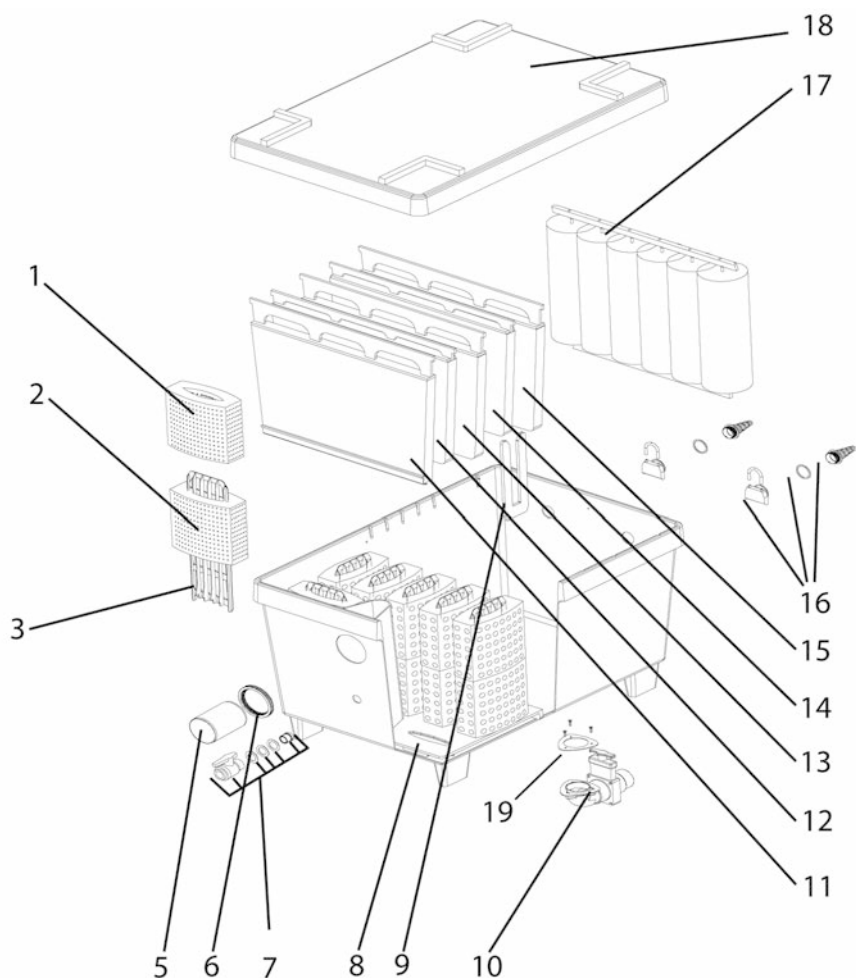
| Pos. | Item no. Product | Product | Item no. Spare part | Spare part | Number |
|------|---------------------|-----------------------------|------------------------|---|--------|
| 25 | 51259 | BioTec ScreenMatic 36 [INT] | 35255 | Spare part plug BioTec 36 | 1 |
| | 51264 | BioTec ScreenMatic 36 [GB] | | | |
| 26 | 51259 | BioTec ScreenMatic 36 [INT] | 25996 | Distance part BioTec 36 | 1 |
| | 51264 | BioTec ScreenMatic 36 [GB] | | | |
| 27 | 51259 | BioTec ScreenMatic 36 [INT] | 34835 | Outlet guide BioTec 36 | 1 |
| | 51264 | BioTec ScreenMatic 36 [GB] | | | |
| 28 | 51259 | BioTec ScreenMatic 36 [INT] | 44188 | ASM drain lever cpl. BioTec 140000 | 1 |
| | 51264 | BioTec ScreenMatic 36 [GB] | | | |
| 29 | 51259 | BioTec ScreenMatic 36 [INT] | 34829 | Wedge plate BioTec 36 | 1 |
| | 51264 | BioTec ScreenMatic 36 [GB] | | | |
| 30 | 51259 | BioTec ScreenMatic 36 [INT] | 19005 | ASM connection set DN 110 | 1 |
| | 51264 | BioTec ScreenMatic 36 [GB] | | | |
| 31 | 51259 | BioTec ScreenMatic 36 [INT] | 45325 | Foam holder locking clip BioTec | 1 |
| | 51264 | BioTec ScreenMatic 36 [GB] | | | |
| 32 | 51259 | BioTec ScreenMatic 36 [INT] | 25547 | Sealing BioTec 36 128 x 47 SH40 | 1 |
| | 51264 | BioTec ScreenMatic 36 [GB] | | | |
| 33 | 51259 | BioTec ScreenMatic 36 [INT] | 34733 | Foam holder BioTec 18 / 36 | 18 |
| | 51264 | BioTec ScreenMatic 36 [GB] | | | |
| 34 | 51259 | BioTec ScreenMatic 36 [INT] | 42896 | Repl. set foam blue BioTec 60/140/145 | 18 |
| | 51264 | BioTec ScreenMatic 36 [GB] | | | |
| 35 | 51259 | BioTec ScreenMatic 36 [INT] | 42894 | Repl.set foam red/purpleBioTec60/140/145 | 18 |
| | 51264 | BioTec ScreenMatic 36 [GB] | | | |
| 36 | 51259 | BioTec ScreenMatic 36 [INT] | 34670 | Foam pad cover BioTec | 1 |
| | 51264 | BioTec ScreenMatic 36 [GB] | | | |
| 37 | 51259 | BioTec ScreenMatic 36 [INT] | 28378 | Screen holder BioTec ScreenMatic 36 | 1 |
| | 51264 | BioTec ScreenMatic 36 [GB] | | | |
| 38 | 51259 | BioTec ScreenMatic 36 [INT] | 28371 | Debris collec. basket ScreenM 12/18/36 | 1 |
| | 51264 | BioTec ScreenMatic 36 [GB] | | | |
| 39 | 51259 | BioTec ScreenMatic 36 [INT] | 34734 | Cleaner BioTec | 1 |
| | 51264 | BioTec ScreenMatic 36 [GB] | | | |
| 40 | 51259 | BioTec ScreenMatic 36 [INT] | 93094 | ASM handle BioTec ScreenMatic ² 145000 | 1 |
| | 51264 | BioTec ScreenMatic 36 [GB] | | | |

| Item no. | Product |
|----------|-----------------------|
| 57129 | BioTec ScreenMatic 36 |



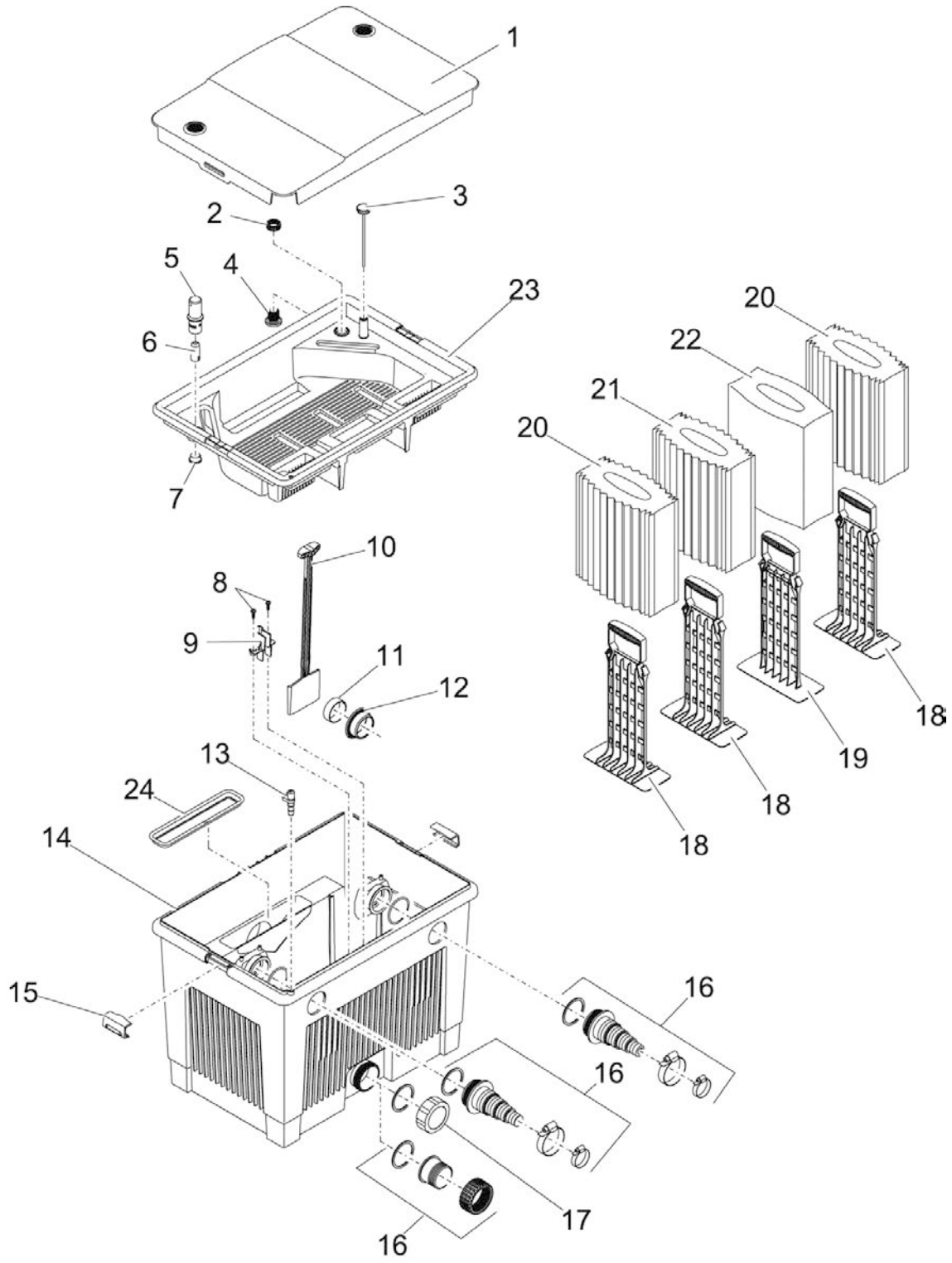
| Pos. | Item no. Product | Product | Item no. Spare part | Spare part | Number |
|------|---------------------|-----------------------------|------------------------|---|--------|
| 1 | 57129 | BioTec ScreenMatic 36 [INT] | 73381 | ASM cover ScreenMatic 140000/145000 | 1 |
| 2 | 57129 | BioTec ScreenMatic 36 [INT] | 45196 | Spare traction unit BioTec ScreenM. 2014 | 1 |
| 3 | 57129 | BioTec ScreenMatic 36 [INT] | 42384 | ASM BioTec ScreenMatic 140000 | 1 |
| 4 | 57129 | BioTec ScreenMatic 36 [INT] | 44177 | ASM scraper with brush ScreenMatic 2015 | 1 |
| 5 | 57129 | BioTec ScreenMatic 36 [INT] | 42326 | Woven fabric BioTec ScreenMatic 140000 | 1 |
| 6 | 57129 | BioTec ScreenMatic 36 [INT] | 44178 | Spare small parts BioTec ScreenM. 2015 | 1 |
| 7 | 57129 | BioTec ScreenMatic 36 [INT] | 10349 | ASM timer BioTec ScreenMatic | 1 |
| 8 | 57129 | BioTec ScreenMatic 36 [INT] | 83926 | Screenex fixing set BioTec 18 2020 | 1 |
| 9 | 57129 | BioTec ScreenMatic 36 [INT] | 34864 | Spare clip BioTec 36 | 1 |
| 10 | 57129 | BioTec ScreenMatic 36 [INT] | 25507 | Substrate pipe cpl. BioTec 18 / 36 | 12 |
| 11 | 57129 | BioTec ScreenMatic 36 [INT] | 25542 | Gasket foam holder BioTec 36 | 3 |
| 12 | 57129 | BioTec ScreenMatic 36 [INT] | 43749 | Step. grommet 1 1/2"+thread closed 2018 | 1 |
| 13 | 57129 | BioTec ScreenMatic 36 [INT] | 19506 | Flat gasket NBR 60 x 47 x 3 SH40 | 1 |
| 14 | 57129 | BioTec ScreenMatic 36 [INT] | 44179 | Spare gasket seal distributor | 1 |
| 15 | 57129 | BioTec ScreenMatic 36 [INT] | 34855 | ASM distributor BioTec 36 | 1 |
| 16 | 57129 | BioTec ScreenMatic 36 [INT] | 25691 | O-Ring NBR 54 x 4 SH40 | 1 |
| 17 | 57129 | BioTec ScreenMatic 36 [INT] | 42949 | Inlet locking nut BioTec ScreenMatic | 1 |
| 18 | 57129 | BioTec ScreenMatic 36 [INT] | 26611 | Cover distributor GPN 915 / 35 black | 1 |
| 19 | 57129 | BioTec ScreenMatic 36 [INT] | 25546 | Rivet skiffi BioTec 36 | 16 |
| 20 | 57129 | BioTec ScreenMatic 36 [INT] | 25922 | Clip foam holder BioTec 36 | 1 |
| 21 | 57129 | BioTec ScreenMatic 36 [INT] | 21530 | Spare case BioTec ScreenMatic 36 | 1 |
| 22 | 57129 | BioTec ScreenMatic 36 [INT] | 34253 | Drain bend | 1 |
| 23 | 57129 | BioTec ScreenMatic 36 [INT] | 24230 | Flat gasket bottom drain BioTec 36 | 1 |
| 24 | 57129 | BioTec ScreenMatic 36 [INT] | 24229 | Screw CH-V2A DIN 7983 6.3 x 25 | 1 |
| 25 | 57129 | BioTec ScreenMatic 36 [INT] | 35255 | Spare part plug BioTec 36 | 1 |
| 26 | 57129 | BioTec ScreenMatic 36 [INT] | 25996 | Distance part BioTec 36 | 1 |
| 27 | 57129 | BioTec ScreenMatic 36 [INT] | 34835 | Outlet guide BioTec 36 | 1 |
| 28 | 57129 | BioTec ScreenMatic 36 [INT] | 44188 | ASM drain lever cpl. BioTec 140000 | 1 |
| 29 | 57129 | BioTec ScreenMatic 36 [INT] | 34829 | Wedge plate BioTec 36 | 1 |
| 30 | 57129 | BioTec ScreenMatic 36 [INT] | 34285 | Gasket 100 BioTec 30 / 36 | 1 |
| 31 | 57129 | BioTec ScreenMatic 36 [INT] | 45325 | Foam holder locking clip BioTec | 3 |
| 32 | 57129 | BioTec ScreenMatic 36 [INT] | 25547 | Sealing BioTec 36 128 x 47 SH40 | 1 |
| 33 | 57129 | BioTec ScreenMatic 36 [INT] | 34733 | Foam holder BioTec 18 / 36 | 18 |
| 34 | 57129 | BioTec ScreenMatic 36 [INT] | 42896 | Repl. set foam blue BioTec 60/140/145 | 1 |
| 35 | 57129 | BioTec ScreenMatic 36 [INT] | 42894 | Repl.set foam red/purpleBioTec60/140/145 | 1 |
| 36 | 57129 | BioTec ScreenMatic 36 [INT] | 34670 | Foam pad cover BioTec | 1 |
| 37 | 57129 | BioTec ScreenMatic 36 [INT] | 28378 | Screen holder BioTec ScreenMatic 36 | 1 |
| 38 | 57129 | BioTec ScreenMatic 36 [INT] | 28371 | Debris collec. basket ScreenM 12/18/36 | 1 |
| 39 | 57129 | BioTec ScreenMatic 36 [INT] | 34734 | Cleaner BioTec | 1 |
| 40 | 57129 | BioTec ScreenMatic 36 [INT] | 93094 | ASM handle BioTec ScreenMatic ² 145000 | 1 |

| Item no. | Product |
|----------|-----------|
| 55421 | BioTec 30 |



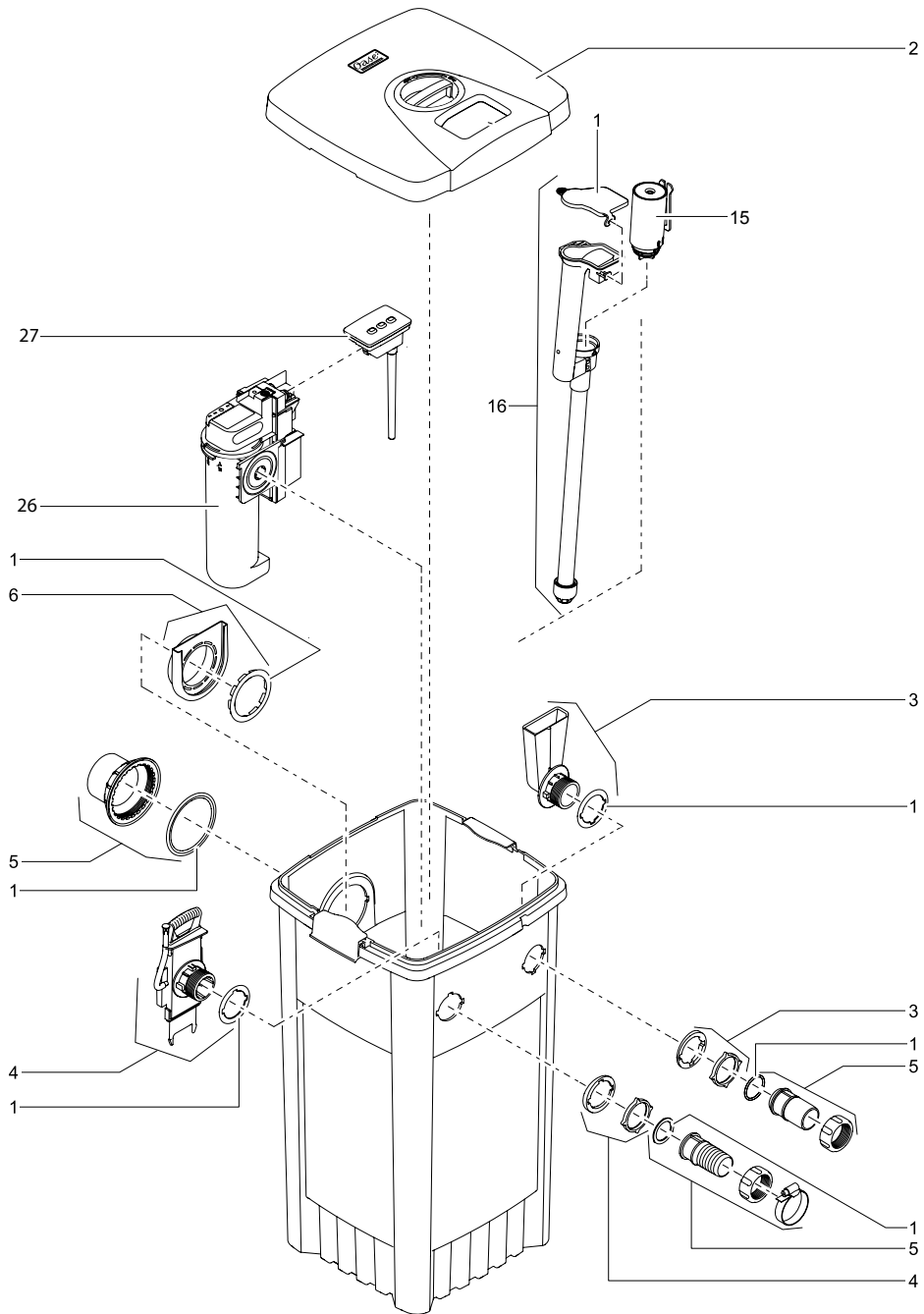
| Pos. | Item no. Product | Product | Item no. Spare part | Spare part | Number |
|------|------------------|-----------------|---------------------|--|--------|
| 1 | 55421 | BioTec 30 [INT] | 54031 | Replacement foam blue BioTec 5 / 10 / 30 | 10 |
| 2 | 55421 | BioTec 30 [INT] | 54030 | Replacement foam red BioTec 5 / 10 / 30 | 4 |
| 3 | 55421 | BioTec 30 [INT] | 34081 | Foam holder BioTec 30 | 7 |
| 4 | 55421 | BioTec 30 [INT] | 24305 | Filter box BioTec 30 | 1 |
| 5 | 55421 | BioTec 30 [INT] | 23852 | Drainage pipe DN 100 BioTec 30 | 1 |
| 6 | 55421 | BioTec 30 [INT] | 34285 | Gasket 100 BioTec 30 / 36 | 1 |
| 7 | 55421 | BioTec 30 [INT] | 10297 | ASM BioTec-valve, drain 1" | 1 |
| 8 | 55421 | BioTec 30 [INT] | 23863 | Intermediate base BioTec 30 | 1 |
| 9 | 55421 | BioTec 30 [INT] | 24406 | Distance piece BioTec 30 | 1 |
| 10 | 55421 | BioTec 30 [INT] | 24972 | Drain outlet BioTec 30 | 1 |
| 11 | 55421 | BioTec 30 [INT] | 25097 | Filter mat with sealing BioTec 30 | 1 |
| 12 | 55421 | BioTec 30 [INT] | 24312 | Filter mat high BioTec 30 green | 1 |
| 13 | 55421 | BioTec 30 [INT] | 24311 | Filter mat low BioTec 30 green | 1 |
| 14 | 55421 | BioTec 30 [INT] | 24315 | Filter mat high BioTec 30 black | 1 |
| 15 | 55421 | BioTec 30 [INT] | 24314 | Filter mat low BioTec 30 black | 1 |
| 16 | 55421 | BioTec 30 [INT] | 23862 | Additional pack inlet set BioTec 30 | 1 |
| 17 | 55421 | BioTec 30 [INT] | 23854 | Frame with 6 brushes BioTec 30 | 1 |
| 18 | 55421 | BioTec 30 [INT] | 73371 | Pump chamber XL Individual Cover | 1 |
| 19 | 55421 | BioTec 30 [INT] | 34284 | Additional pack bottom drain BioTec 30 | 1 |

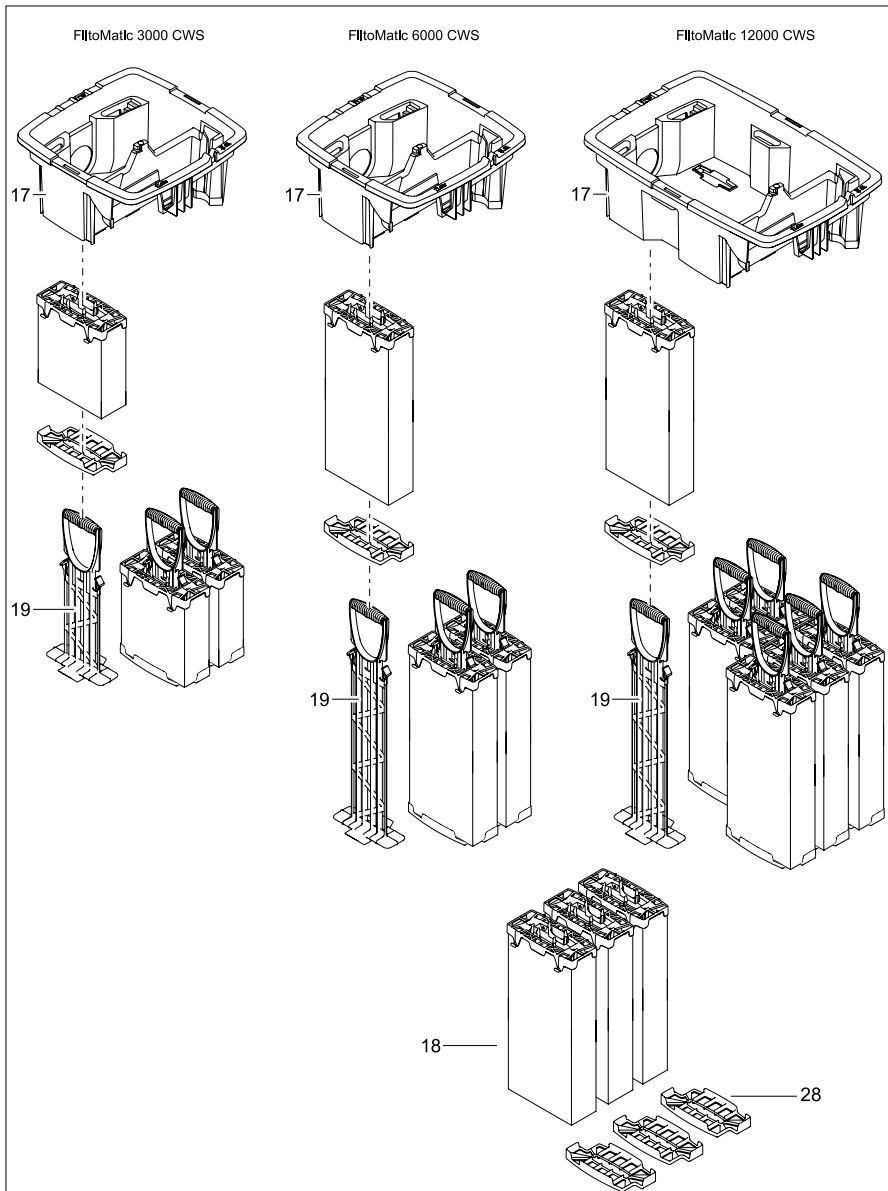
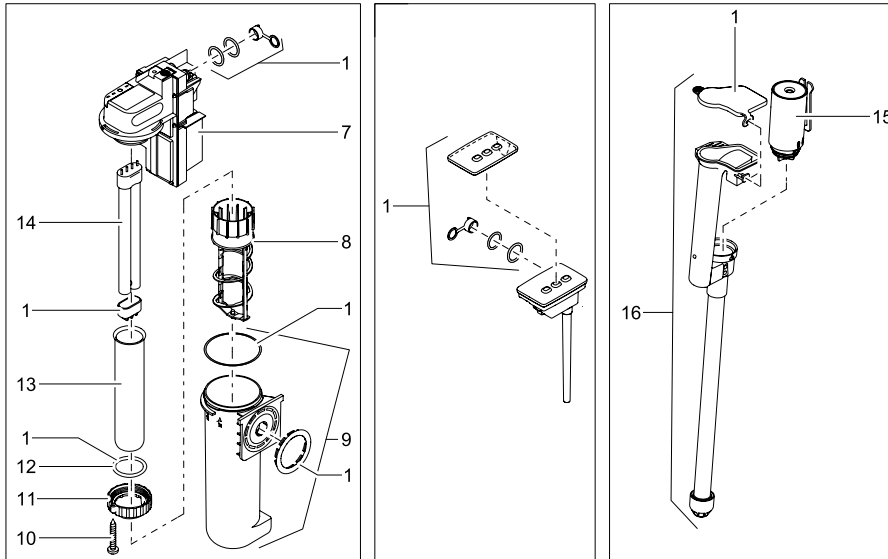
| Item no. | Product |
|----------|------------|
| 56640 | BioTec 5.1 |

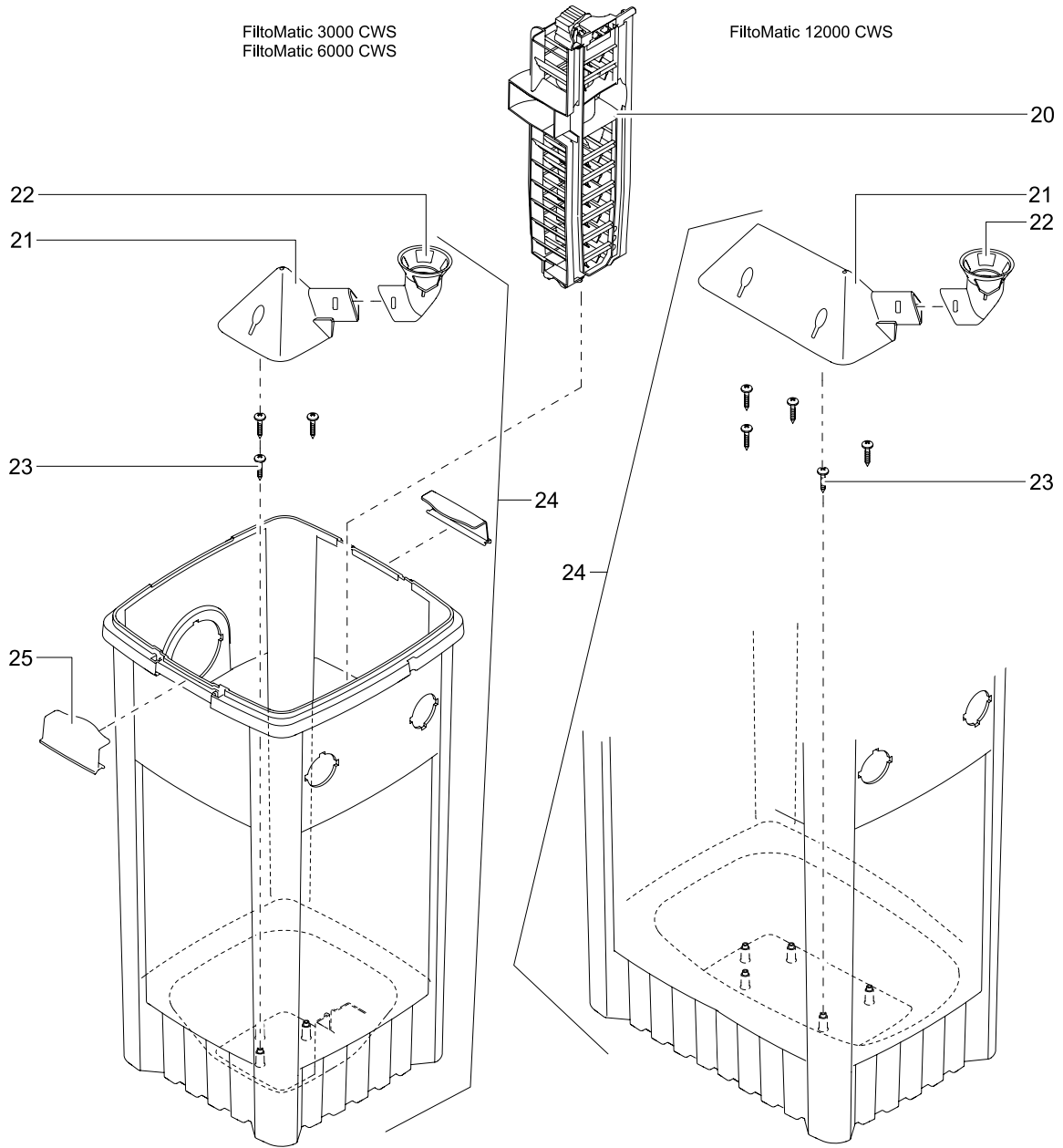


| Pos. | Item no. Product | Product | Item no. Spare part | Spare part | Number |
|------|---------------------|------------------|------------------------|--|--------|
| 1 | 56640 | BioTec 5.1 [INT] | 26079 | Cover BioTec 5.1 / 10.1 w/o grating | 1 |
| 2 | 56640 | BioTec 5.1 [INT] | 26636 | Coupling nut 1/2" | 1 |
| 3 | 56640 | BioTec 5.1 [INT] | 29594 | Thermometer neutral | 1 |
| 4 | 56640 | BioTec 5.1 [INT] | 5542 | PVC nipple grey 1/2" | 1 |
| 5 | 56640 | BioTec 5.1 [INT] | 35083 | Housing level indicator BioTec 5.1/10.1 | 1 |
| 6 | 56640 | BioTec 5.1 [INT] | 35084 | Float level indicator BioTec 5.1 / 10.1 | 1 |
| 7 | 56640 | BioTec 5.1 [INT] | 26418 | Sealing plug water level control | 1 |
| 8 | 56640 | BioTec 5.1 [INT] | 22853 | Oval head screw CH-V2A DIN 7981 4.8x19 | 2 |
| 9 | 56640 | BioTec 5.1 [INT] | 35089 | Guiding gate valve | 1 |
| 10 | 56640 | BioTec 5.1 [INT] | 35085 | Drain valve BioTec 5.1 / 10.1 | 1 |
| 11 | 56640 | BioTec 5.1 [INT] | 35103 | Support sleeve gasket | 1 |
| 12 | 56640 | BioTec 5.1 [INT] | 26209 | Sealing BioTec 5.1 / 10.1 SH60 | 1 |
| 13 | 56640 | BioTec 5.1 [INT] | 35087 | Air connection BioTec 5.1 / 10.1 | 1 |
| 14 | 56640 | BioTec 5.1 [INT] | 26075 | Filter box BioTec 5.1 | 1 |
| 15 | 56640 | BioTec 5.1 [INT] | 35086 | Holding clamp BioTec 5.1 / 10.1 | 2 |
| 16 | 56640 | BioTec 5.1 [INT] | 22759 | Add. pack BioSmart 18000 / 36000 | 1 |
| 17 | 56640 | BioTec 5.1 [INT] | 25993 | Screw cap 2" | 1 |
| 18 | 56640 | BioTec 5.1 [INT] | 35047 | Foam holder BioTec 5.1/10.1 open blue | 3 |
| 19 | 56640 | BioTec 5.1 [INT] | 35082 | Foam holder BioTec 5.1/10.1 closed black | 1 |
| 20 | 56640 | BioTec 5.1 [INT] | 56678 | Replacement foam blue BioSmart 18-36000 | 1 |
| 21 | 56640 | BioTec 5.1 [INT] | 56677 | Replacement foam red BioSmart 18-36000 | 1 |
| 22 | 56640 | BioTec 5.1 [INT] | 56679 | Replacement foam green BioSmart 18-36000 | 1 |
| 23 | 56640 | BioTec 5.1 [INT] | 26076 | Inner cover BioTec 5.1 | 1 |
| 24 | 56640 | BioTec 5.1 [INT] | 71419 | Gasket inside cover 2018 | 1 |

| Item no. | Product |
|----------|------------------------|
| 50228 | FiltoMatic CWS 3000 |
| 50229 | FiltoMatic CWS 6000 |
| 50906 | FiltoMatic CWS 7000 |
| 50910 | FiltoMatic CWS 14000 |
| 50925 | FiltoMatic CWS 25000 |
| 50909 | GB FiltoMatic CWS 7000 |







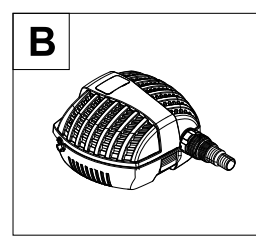
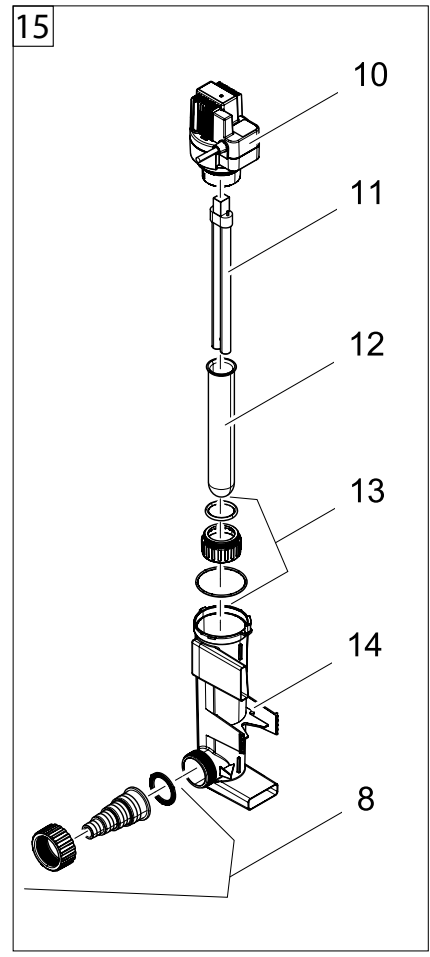
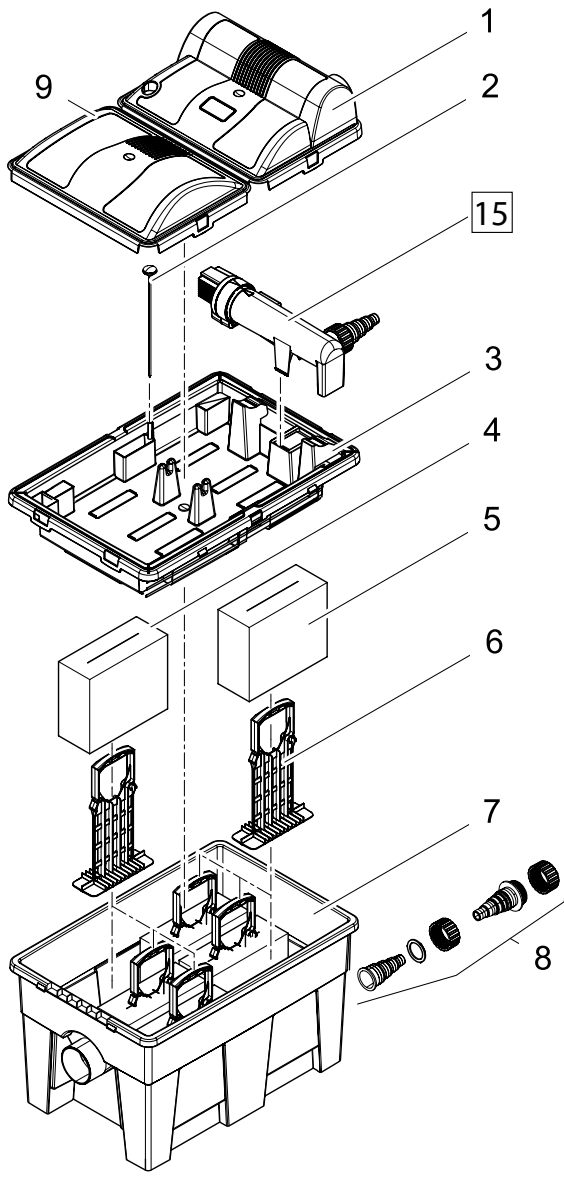
| Pos. | Item no. Product | Product | Item no. Spare part | Spare part | Number |
|------|---------------------|----------------------------|------------------------|--|--------|
| 1 | 50228 | FiltoMatic CWS 3000 [INT] | 12572 | ASM gasket set FiltoMatic | 1 |
| | 50229 | FiltoMatic CWS 6000 [INT] | | | |
| | 50906 | FiltoMatic CWS 7000 [INT] | | | |
| | 50910 | FiltoMatic CWS 14000 [INT] | | | |
| | 50925 | FiltoMatic CWS 25000 [INT] | | | |
| 2 | 50228 | FiltoMatic CWS 3000 [INT] | 12447 | ASM lid FiltoMatic CWS 3000 / 6000 | 1 |
| | 50229 | FiltoMatic CWS 6000 [INT] | | | |
| | 50906 | FiltoMatic CWS 7000 [INT] | | | |
| | 50910 | FiltoMatic CWS 14000 [INT] | | | |
| | 50925 | FiltoMatic CWS 25000 [INT] | | | |
| 3 | 50228 | FiltoMatic CWS 3000 [INT] | 12481 | ASM lid FiltoMatic CWS 12000 | 1 |
| | 50229 | FiltoMatic CWS 6000 [INT] | | | |
| | 50906 | FiltoMatic CWS 7000 [INT] | | | |
| | 50910 | FiltoMatic CWS 14000 [INT] | | | |
| | 50925 | FiltoMatic CWS 25000 [INT] | | | |
| 4 | 50228 | FiltoMatic CWS 3000 [INT] | 12082 | ASM dirt outlet FiltoMatic | 1 |
| | 50229 | FiltoMatic CWS 6000 [INT] | | | |
| | 50906 | FiltoMatic CWS 7000 [INT] | | | |
| | 50910 | FiltoMatic CWS 14000 [INT] | | | |
| | 50925 | FiltoMatic CWS 25000 [INT] | | | |
| 5 | 50228 | FiltoMatic CWS 3000 [INT] | 11367 | ASM gate inlet FiltoMatic | 1 |
| | 50229 | FiltoMatic CWS 6000 [INT] | | | |
| | 50906 | FiltoMatic CWS 7000 [INT] | | | |
| | 50910 | FiltoMatic CWS 14000 [INT] | | | |
| | 50925 | FiltoMatic CWS 25000 [INT] | | | |
| 6 | 50228 | FiltoMatic CWS 3000 [INT] | 11384 | Additional pack FiltoMatic | 1 |
| | 50229 | FiltoMatic CWS 6000 [INT] | | | |
| | 50906 | FiltoMatic CWS 7000 [INT] | | | |
| | 50910 | FiltoMatic CWS 14000 [INT] | | | |
| | 50925 | FiltoMatic CWS 25000 [INT] | | | |
| 7 | 50228 | FiltoMatic CWS 3000 [INT] | 11364 | ASM outlet nut | 1 |
| | 50229 | FiltoMatic CWS 6000 [INT] | | | |
| | 50906 | FiltoMatic CWS 7000 [INT] | | | |
| | 50910 | FiltoMatic CWS 14000 [INT] | | | |
| | 50925 | FiltoMatic CWS 25000 [INT] | | | |
| 8 | 50228 | FiltoMatic CWS 3000 [INT] | 11374 | Spare UVC 11 electronic FiltoMatic | 1 |
| | 50229 | FiltoMatic CWS 6000 [INT] | | | |
| | 50906 | FiltoMatic CWS 7000 [INT] | | | |
| | 50910 | FiltoMatic CWS 14000 [INT] | | | |
| | 50925 | FiltoMatic CWS 25000 [INT] | | | |
| 9 | 50228 | FiltoMatic CWS 3000 [INT] | 11459 | Spare UVC 18 electronic FiltoMatic | 1 |
| | 50229 | FiltoMatic CWS 6000 [INT] | | | |
| | 50906 | FiltoMatic CWS 7000 [INT] | | | |
| | 50910 | FiltoMatic CWS 14000 [INT] | | | |
| | 50925 | FiltoMatic CWS 25000 [INT] | | | |
| 10 | 50228 | FiltoMatic CWS 3000 [INT] | 11374 | Spare UVC 11 electronic FiltoMatic | 1 |
| | 50229 | FiltoMatic CWS 6000 [INT] | | | |
| | 50906 | FiltoMatic CWS 7000 [INT] | | | |
| | 50910 | FiltoMatic CWS 14000 [INT] | | | |
| | 50925 | FiltoMatic CWS 25000 [INT] | | | |
| 11 | 50228 | FiltoMatic CWS 3000 [INT] | 11460 | Spare UVC 24 electronic FiltoMatic | 1 |
| | 50229 | FiltoMatic CWS 6000 [INT] | | | |
| | 50906 | FiltoMatic CWS 7000 [INT] | | | |
| | 50910 | FiltoMatic CWS 14000 [INT] | | | |
| | 50925 | FiltoMatic CWS 25000 [INT] | | | |
| 12 | 50228 | FiltoMatic CWS 3000 [INT] | 18231 | Spare UVC 24 reflector FiltoMatic | 1 |
| | 50229 | FiltoMatic CWS 6000 [INT] | | | |
| | 50906 | FiltoMatic CWS 7000 [INT] | | | |
| | 50910 | FiltoMatic CWS 14000 [INT] | | | |
| | 50925 | FiltoMatic CWS 25000 [INT] | | | |
| 13 | 50228 | FiltoMatic CWS 3000 [INT] | 12703 | ASM cleaning rotor FiltoMatic UVC 11 | 1 |
| | 50229 | FiltoMatic CWS 6000 [INT] | | | |
| | 50906 | FiltoMatic CWS 7000 [INT] | | | |
| | 50910 | FiltoMatic CWS 14000 [INT] | | | |
| | 50925 | FiltoMatic CWS 25000 [INT] | | | |
| 14 | 50228 | FiltoMatic CWS 3000 [INT] | 12704 | ASM cleaning rotor FiltoMatic UVC 18 | 1 |
| | 50229 | FiltoMatic CWS 6000 [INT] | | | |
| | 50906 | FiltoMatic CWS 7000 [INT] | | | |
| | 50910 | FiltoMatic CWS 14000 [INT] | | | |
| | 50925 | FiltoMatic CWS 25000 [INT] | | | |
| 15 | 50228 | FiltoMatic CWS 3000 [INT] | 12705 | ASM cleaning rotor FiltoMatic UVC 11 | 1 |
| | 50229 | FiltoMatic CWS 6000 [INT] | | | |
| | 50906 | FiltoMatic CWS 7000 [INT] | | | |
| | 50910 | FiltoMatic CWS 14000 [INT] | | | |
| | 50925 | FiltoMatic CWS 25000 [INT] | | | |
| 16 | 50228 | FiltoMatic CWS 3000 [INT] | 12705 | ASM cleaning rotor FiltoMatic UVC 24 | 1 |
| | 50229 | FiltoMatic CWS 6000 [INT] | | | |
| | 50906 | FiltoMatic CWS 7000 [INT] | | | |
| | 50910 | FiltoMatic CWS 14000 [INT] | | | |
| | 50925 | FiltoMatic CWS 25000 [INT] | | | |
| 17 | 50228 | FiltoMatic CWS 3000 [INT] | 12698 | ASM waterhousing FiltoMatic 3000 / 6000 | 1 |
| | 50229 | FiltoMatic CWS 6000 [INT] | | | |
| | 50906 | FiltoMatic CWS 7000 [INT] | | | |
| | 50910 | FiltoMatic CWS 14000 [INT] | | | |
| | 50925 | FiltoMatic CWS 25000 [INT] | | | |
| 18 | 50228 | FiltoMatic CWS 3000 [INT] | 12700 | ASM waterhousing FiltoMatic 12000 | 1 |
| | 50229 | FiltoMatic CWS 6000 [INT] | | | |
| | 50906 | FiltoMatic CWS 7000 [INT] | | | |
| | 50910 | FiltoMatic CWS 14000 [INT] | | | |
| | 50925 | FiltoMatic CWS 25000 [INT] | | | |
| 19 | 50228 | FiltoMatic CWS 3000 [INT] | 17908 | Spare part waterhousing FiltoMatic 25000 | 1 |
| | 50229 | FiltoMatic CWS 6000 [INT] | | | |
| | 50906 | FiltoMatic CWS 7000 [INT] | | | |
| | 50910 | FiltoMatic CWS 14000 [INT] | | | |
| | 50925 | FiltoMatic CWS 25000 [INT] | | | |

| Pos. | Item no. Product | Product | Item no. Spare part | Spare part | Number |
|------|---------------------|----------------------------|------------------------|--|--------|
| 10 | 50228 | FiltoMatic CWS 3000 [INT] | | | |
| | 50229 | FiltoMatic CWS 6000 [INT] | | | |
| | 50906 | FiltoMatic CWS 7000 [INT] | 27891 | Oval head screw CH-V2A DIN 7981 3.5 x 22 | 1 |
| | 50910 | FiltoMatic CWS 14000 [INT] | | | |
| | 50925 | FiltoMatic CWS 25000 [INT] | | | |
| 11 | 50228 | FiltoMatic CWS 3000 [INT] | 12049 | Clamp screw UVC 7/9/11W | 1 |
| | 50229 | FiltoMatic CWS 6000 [INT] | 12054 | Clamp screw FiltoMatic 18 / 24 | 1 |
| | 50906 | FiltoMatic CWS 7000 [INT] | 12049 | Clamp screw UVC 7/9/11W | 1 |
| | 50910 | FiltoMatic CWS 14000 [INT] | | | |
| | 50925 | FiltoMatic CWS 25000 [INT] | 12054 | Clamp screw FiltoMatic 18 / 24 | 1 |
| 12 | 50228 | FiltoMatic CWS 3000 [INT] | 73481 | O-Ring Viton 32 x 4 SH70 greased | 1 |
| | 50229 | FiltoMatic CWS 6000 [INT] | 73486 | O-Ring Viton 42 x 5 SH50 greased | 1 |
| | 50906 | FiltoMatic CWS 7000 [INT] | 73481 | O-Ring Viton 32 x 4 SH70 greased | 1 |
| | 50910 | FiltoMatic CWS 14000 [INT] | | | |
| | 50925 | FiltoMatic CWS 25000 [INT] | 73486 | O-Ring Viton 42 x 5 SH50 greased | 1 |
| 13 | 50228 | FiltoMatic CWS 3000 [INT] | 13312 | Quartz glass D33 x 200 with rim | 1 |
| | 50229 | FiltoMatic CWS 6000 [INT] | 13329 | Quartz glass D44 x 203 with rim | 1 |
| | 50906 | FiltoMatic CWS 7000 [INT] | 13312 | Quartz glass D33 x 200 with rim | 1 |
| | 50910 | FiltoMatic CWS 14000 [INT] | | | |
| | 50925 | FiltoMatic CWS 25000 [INT] | 13332 | Quartz glass D44 x 298 with rim | 1 |
| 14 | 50228 | FiltoMatic CWS 3000 [INT] | 56112 | Replacement bulb UVC 11 W | 1 |
| | 50229 | FiltoMatic CWS 6000 [INT] | 56236 | Replacement bulb UVC 18 W | 1 |
| | 50906 | FiltoMatic CWS 7000 [INT] | 56112 | Replacement bulb UVC 11 W | 1 |
| | 50910 | FiltoMatic CWS 14000 [INT] | | | |
| | 50925 | FiltoMatic CWS 25000 [INT] | 56237 | Replacement bulb UVC 24 W | 1 |
| 15 | 50228 | FiltoMatic CWS 3000 [INT] | | | |
| | 50229 | FiltoMatic CWS 6000 [INT] | | | |
| | 50906 | FiltoMatic CWS 7000 [INT] | 14148 | ASM slush pump 84° | 1 |
| | 50909 | FiltoMatic CWS 7000 [GB] | | | |
| | 50910 | FiltoMatic CWS 14000 [INT] | | | |
| 16 | 50925 | FiltoMatic CWS 25000 [INT] | | | |
| | 50228 | FiltoMatic CWS 3000 [INT] | 12319 | ASM dirt tube glued FiltoMatic 3000 | 1 |
| | 50229 | FiltoMatic CWS 6000 [INT] | 12321 | ASM dirt tube glued FiltoMatic 6/12000 | 1 |
| | 50906 | FiltoMatic CWS 7000 [INT] | 12319 | ASM dirt tube glued FiltoMatic 3000 | 1 |
| | 50910 | FiltoMatic CWS 14000 [INT] | | | |
| 17 | 50925 | FiltoMatic CWS 25000 [INT] | 12321 | ASM dirt tube glued FiltoMatic 6/12000 | 1 |
| | 50228 | FiltoMatic CWS 3000 [INT] | | | |
| | 50229 | FiltoMatic CWS 6000 [INT] | 10857 | Inner cover FiltoMatic 3000 / 6000 | 1 |
| | 50906 | FiltoMatic CWS 7000 [INT] | | | |
| | 50910 | FiltoMatic CWS 14000 [INT] | | | |
| 18 | 50925 | FiltoMatic CWS 25000 [INT] | 10860 | Inner cover FiltoMatic 12000 | 1 |
| | 50228 | FiltoMatic CWS 3000 [INT] | 50901 | Filtercartridge Set FiltoMatic CWS 7000 | 1 |
| | 50229 | FiltoMatic CWS 6000 [INT] | 50904 | Filtercartridge set FiltoMa CWS 14/25000 | 1 |
| | 50906 | FiltoMatic CWS 7000 [INT] | 50901 | Filtercartridge Set FiltoMatic CWS 7000 | 1 |
| | 50910 | FiltoMatic CWS 14000 [INT] | | | 1 |
| | 50925 | FiltoMatic CWS 25000 [INT] | 50904 | Filtercartridge set FiltoMa CWS 14/25000 | 2 |

| Pos. | Item no. Product | Product | Item no. Spare part | Spare part | Number |
|-------|---------------------|----------------------------|---------------------------|--|-------------------------------|
| 19 | 50228 | FiltoMatic CWS 3000 [INT] | 11050 | Foam holder FiltoMatic 3000 | 3 |
| | 50229 | FiltoMatic CWS 6000 [INT] | 11052 | Foam holder FiltoMatic 6000/12000 | 3 |
| | 50906 | FiltoMatic CWS 7000 [INT] | 11050 | Foam holder FiltoMatic 3000 | 3 |
| | 50910 | FiltoMatic CWS 14000 [INT] | 11052 | Foam holder FiltoMatic 6000/12000 | 3 |
| | 50925 | FiltoMatic CWS 25000 [INT] | | | 6 |
| 20 | 50228 | FiltoMatic CWS 3000 [INT] | 11425 | ASM Lamella 3000 | 1 |
| | 50229 | FiltoMatic CWS 6000 [INT] | 17684 | ASM lamella 14000 / 25000 | 1 |
| | 50906 | FiltoMatic CWS 7000 [INT] | 11425 | ASM Lamella 3000 | 1 |
| | 50910 | FiltoMatic CWS 14000 [INT] | 17684 | ASM lamella 14000 / 25000 | 1 |
| | 50925 | FiltoMatic CWS 25000 [INT] | | | 1 |
| 21 | 50228 | FiltoMatic CWS 3000 [INT] | 12756 | pyramide upper part 3000/6000 neu | 1 |
| | 50229 | FiltoMatic CWS 6000 [INT] | | | |
| | 50906 | FiltoMatic CWS 7000 [INT] | | | |
| | 50910 | FiltoMatic CWS 14000 [INT] | | | |
| | 50925 | FiltoMatic CWS 25000 [INT] | | | |
| 22 | 50228 | FiltoMatic CWS 3000 [INT] | 12114 | Pyramide connection | 1 |
| | 50229 | FiltoMatic CWS 6000 [INT] | | | |
| | 50906 | FiltoMatic CWS 7000 [INT] | | | |
| | 50910 | FiltoMatic CWS 14000 [INT] | | | |
| | 50925 | FiltoMatic CWS 25000 [INT] | | | |
| 23 | 50228 | FiltoMatic CWS 3000 [INT] | 25000 | Oval head screw CH-V2A DIN 7981 4,8 x 22 | 3 |
| | 50229 | FiltoMatic CWS 6000 [INT] | | | |
| | 50906 | FiltoMatic CWS 7000 [INT] | | | |
| | 50910 | FiltoMatic CWS 14000 [INT] | | | |
| | 50925 | FiltoMatic CWS 25000 [INT] | | | |
| 24 | 50228 | FiltoMatic CWS 3000 [INT] | 12003 | ASM filter box FiltoMatic 3000 | 1 |
| | 50229 | FiltoMatic CWS 6000 [INT] | 12051 | ASM filter box FiltoMatic 6000 | 1 |
| | 50906 | FiltoMatic CWS 7000 [INT] | 12003 | ASM filter box FiltoMatic 3000 | 1 |
| | 50910 | FiltoMatic CWS 14000 [INT] | 12051 | ASM filter box FiltoMatic 6000 | 1 |
| | 50925 | FiltoMatic CWS 25000 [INT] | 12401 | ASM filter box FiltoMatic 12000 | 1 |
| | 25 | 50228 | FiltoMatic CWS 3000 [INT] | 11041 | Holder inner cover FiltoMatic |
| 50229 | | FiltoMatic CWS 6000 [INT] | | | |
| 50906 | | FiltoMatic CWS 7000 [INT] | | | |
| 50910 | | FiltoMatic CWS 14000 [INT] | | | |
| 50925 | | FiltoMatic CWS 25000 [INT] | | | |
| 26 | 50228 | FiltoMatic CWS 3000 [INT] | 11383 | ASM FiltoMatic UVC 11 | 1 |
| | 50229 | FiltoMatic CWS 6000 [INT] | 11390 | ASM FiltoMatic UVC 18 | 1 |
| | 50906 | FiltoMatic CWS 7000 [INT] | 11383 | ASM FiltoMatic UVC 11 | 1 |
| | 50910 | FiltoMatic CWS 14000 [INT] | 11391 | ASM FiltoMatic UVC 24 | 1 |
| | 50925 | FiltoMatic CWS 25000 [INT] | 17685 | ASM FiltoMatic UVC 24 with reflector | 1 |
| | 27 | 50228 | FiltoMatic CWS 3000 [INT] | 14150 | ASM controller FiltoMatic 2E |
| 50229 | | FiltoMatic CWS 6000 [INT] | | | |
| 50906 | | FiltoMatic CWS 7000 [INT] | | | |
| 50910 | | FiltoMatic CWS 14000 [INT] | | | |
| 50925 | | FiltoMatic CWS 25000 [INT] | | | |

| Pos. | Item no. Product | Product | Item no. Spare part | Spare part | Number |
|------|---------------------|----------------------------|------------------------|---------------------------------|--------|
| | 50228 | FiltoMatic CWS 3000 [INT] | | | |
| | 50229 | FiltoMatic CWS 6000 [INT] | | | |
| 28 | 50906 | FiltoMatic CWS 7000 [INT] | 13629 | Foam plate base part FiltoMatic | 1 |
| | 50910 | FiltoMatic CWS 14000 [INT] | | | |
| | 50925 | FiltoMatic CWS 25000 [INT] | | | |

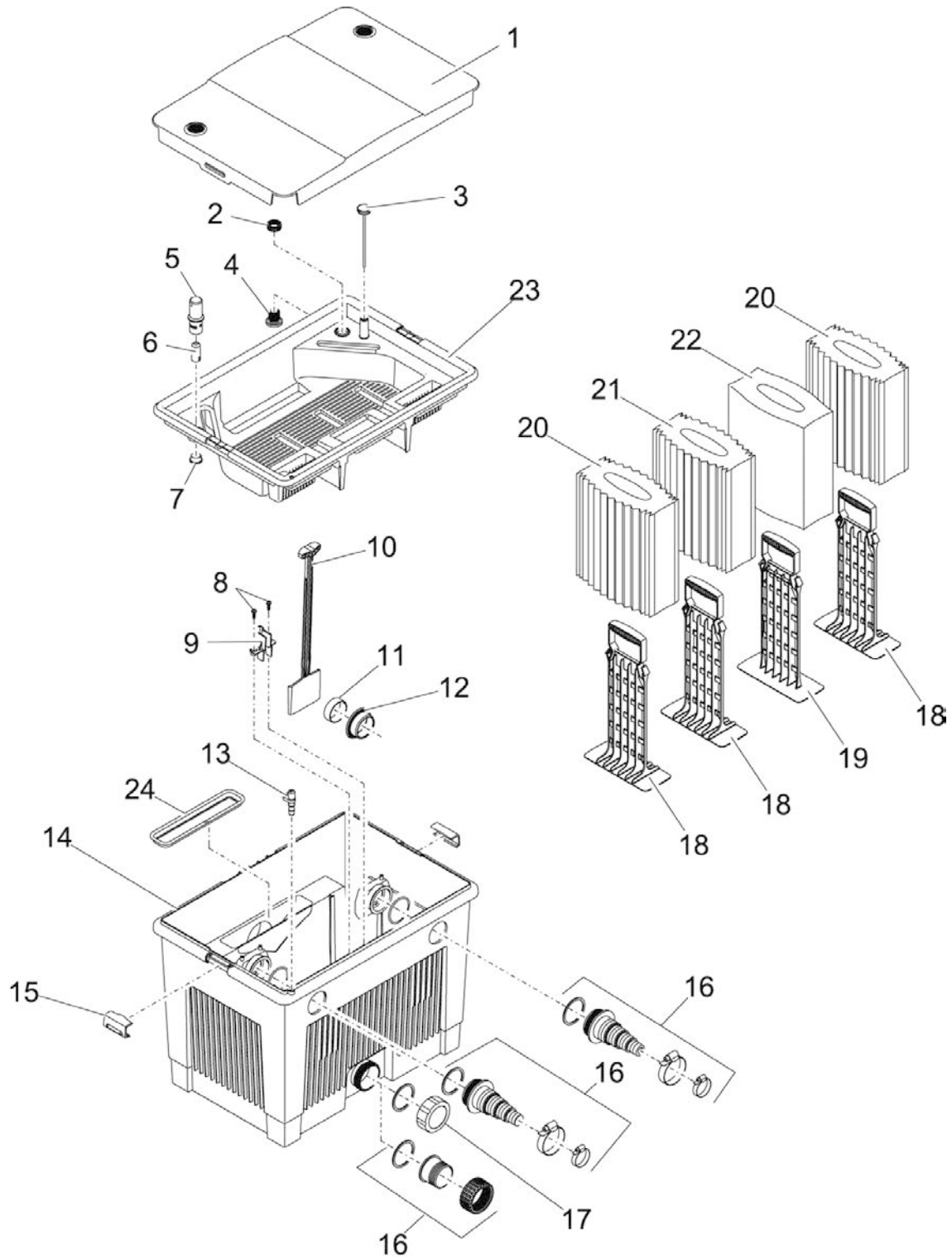
| Item no. | Product |
|----------|-----------------------|
| 50451 | BioSmart Set 14000 |
| 57377 | BioSmart UVC 16000 |
| 50450 | GB BioSmart Set 7000 |
| 50452 | GB BioSmart Set 14000 |



| Pos. | Item no. Product | Product | Item no. Spare part | Spare part | Number |
|------|---------------------|--------------------------|------------------------|--|--------|
| 1 | 50450 | BioSmart Set 7000 [GB] | 29404 | Cover UVC BioSmart | 1 |
| | 50451 | BioSmart Set 14000 [INT] | | | |
| | 50452 | BioSmart Set 14000 [GB] | | | |
| | 57377 | BioSmart UVC 16000 [INT] | | | |
| 2 | 50450 | BioSmart Set 7000 [GB] | 29594 | Thermometer neutral | 1 |
| | 50451 | BioSmart Set 14000 [INT] | | | |
| | 50452 | BioSmart Set 14000 [GB] | | | |
| | 57377 | BioSmart UVC 16000 [INT] | | | |
| 3 | 50450 | BioSmart Set 7000 [GB] | 34897 | Inner cover BioSmart 7000/8000 | 1 |
| | 50451 | BioSmart Set 14000 [INT] | | | |
| | 50452 | BioSmart Set 14000 [GB] | 25731 | Inner cover BioSmart 14000/16000 | 1 |
| | 57377 | BioSmart UVC 16000 [INT] | | | |
| 4 | 50450 | BioSmart Set 7000 [GB] | 35791 | Replacement foam red BioSmart | 1 |
| | 50451 | BioSmart Set 14000 [INT] | | | 3 |
| | 50452 | BioSmart Set 14000 [GB] | | | 3 |
| | 57377 | BioSmart UVC 16000 [INT] | | | 3 |
| 5 | 50450 | BioSmart Set 7000 [GB] | 35792 | Replacement foam blue BioSmart | 2 |
| | 50451 | BioSmart Set 14000 [INT] | | | 3 |
| | 50452 | BioSmart Set 14000 [GB] | | | 3 |
| | 57377 | BioSmart UVC 16000 [INT] | | | 3 |
| 6 | 50450 | BioSmart Set 7000 [GB] | 34899 | Foam holder DLF OEM03 | 3 |
| | 50451 | BioSmart Set 14000 [INT] | | | 6 |
| | 50452 | BioSmart Set 14000 [GB] | | | 6 |
| | 57377 | BioSmart UVC 16000 [INT] | | | 6 |
| 7 | 50450 | BioSmart Set 7000 [GB] | 25727 | Filter box BioSmart 5000-7000 with UVC | 1 |
| | 50451 | BioSmart Set 14000 [INT] | | | |
| | 50452 | BioSmart Set 14000 [GB] | 25729 | Filter box BioSmart 8000-16000 with UVC | 1 |
| | 57377 | BioSmart UVC 16000 [INT] | | | |
| 8 | 50450 | BioSmart Set 7000 [GB] | 35204 | Spare connection kit BioSm 5-16000 w UVC | 1 |
| | 50451 | BioSmart Set 14000 [INT] | | | |
| | 50452 | BioSmart Set 14000 [GB] | | | |
| | 57377 | BioSmart UVC 16000 [INT] | | | |
| 9 | 50450 | BioSmart Set 7000 [GB] | 29405 | Cover BioSmart | 1 |
| | 50451 | BioSmart Set 14000 [INT] | | | |
| | 50452 | BioSmart Set 14000 [GB] | | | |
| | 57377 | BioSmart UVC 16000 [INT] | | | |
| 10 | 50450 | BioSmart Set 7000 [GB] | 15665 | ASM UVC 7 / 9 / 11 W 2011 | 1 |
| | 50451 | BioSmart Set 14000 [INT] | | | |
| | 50452 | BioSmart Set 14000 [GB] | | | |
| | 57377 | BioSmart UVC 16000 [INT] | | | |
| 11 | 50450 | BioSmart Set 7000 [GB] | 56112 | Replacement bulb UVC 11 W | 1 |
| | 50451 | BioSmart Set 14000 [INT] | | | |
| | 50452 | BioSmart Set 14000 [GB] | | | |
| | 57377 | BioSmart UVC 16000 [INT] | | | |
| 12 | 50450 | BioSmart Set 7000 [GB] | 13312 | Quartz glass D33 x 200 with rim | 1 |
| | 50451 | BioSmart Set 14000 [INT] | | | |
| | 50452 | BioSmart Set 14000 [GB] | | | |
| | 57377 | BioSmart UVC 16000 [INT] | | | |

| Pos. | Item no. Product | Product | Item no. Spare part | Spare part | Number |
|------|---------------------|--------------------------|------------------------|---|--------|
| 13 | 50450 | BioSmart Set 7000 [GB] | 12090 | Sealing set UVC 7 W / 9 W / 11 W | 1 |
| | 50451 | BioSmart Set 14000 [INT] | 15535 | Spare part clip bolt set UVC 7 / 9 / 11 | 1 |
| | 50452 | BioSmart Set 14000 [GB] | 12090 | Sealing set UVC 7 W / 9 W / 11 W | 1 |
| | 57377 | BioSmart UVC 16000 [INT] | 15535 | Spare part clip bolt set UVC 7 / 9 / 11 | 1 |
| 14 | 50450 | BioSmart Set 7000 [GB] | 34900 | UVC water housing DLF OEM03 | 1 |
| | 50451 | BioSmart Set 14000 [INT] | | | |
| | 50452 | BioSmart Set 14000 [GB] | | | |
| | 57377 | BioSmart UVC 16000 [INT] | | | |
| 15 | 50450 | BioSmart Set 7000 [GB] | 10767 | ASM UVC 9 W cpl. | 1 |
| | 50451 | BioSmart Set 14000 [INT] | 10768 | ASM UVC 11 W cpl. with waterhousing | 1 |
| | 50452 | BioSmart Set 14000 [GB] | | | |
| | 57377 | BioSmart UVC 16000 [INT] | | | |
| B | 50450 | BioSmart Set 7000 [GB] | 13745 | Spare pump FP 2500 | 1 |
| | 50451 | BioSmart Set 14000 [INT] | 13742 | Spare pump FP 3500 | 1 |
| | 50452 | BioSmart Set 14000 [GB] | | | |
| | 57377 | BioSmart UVC 16000 [INT] | | | |

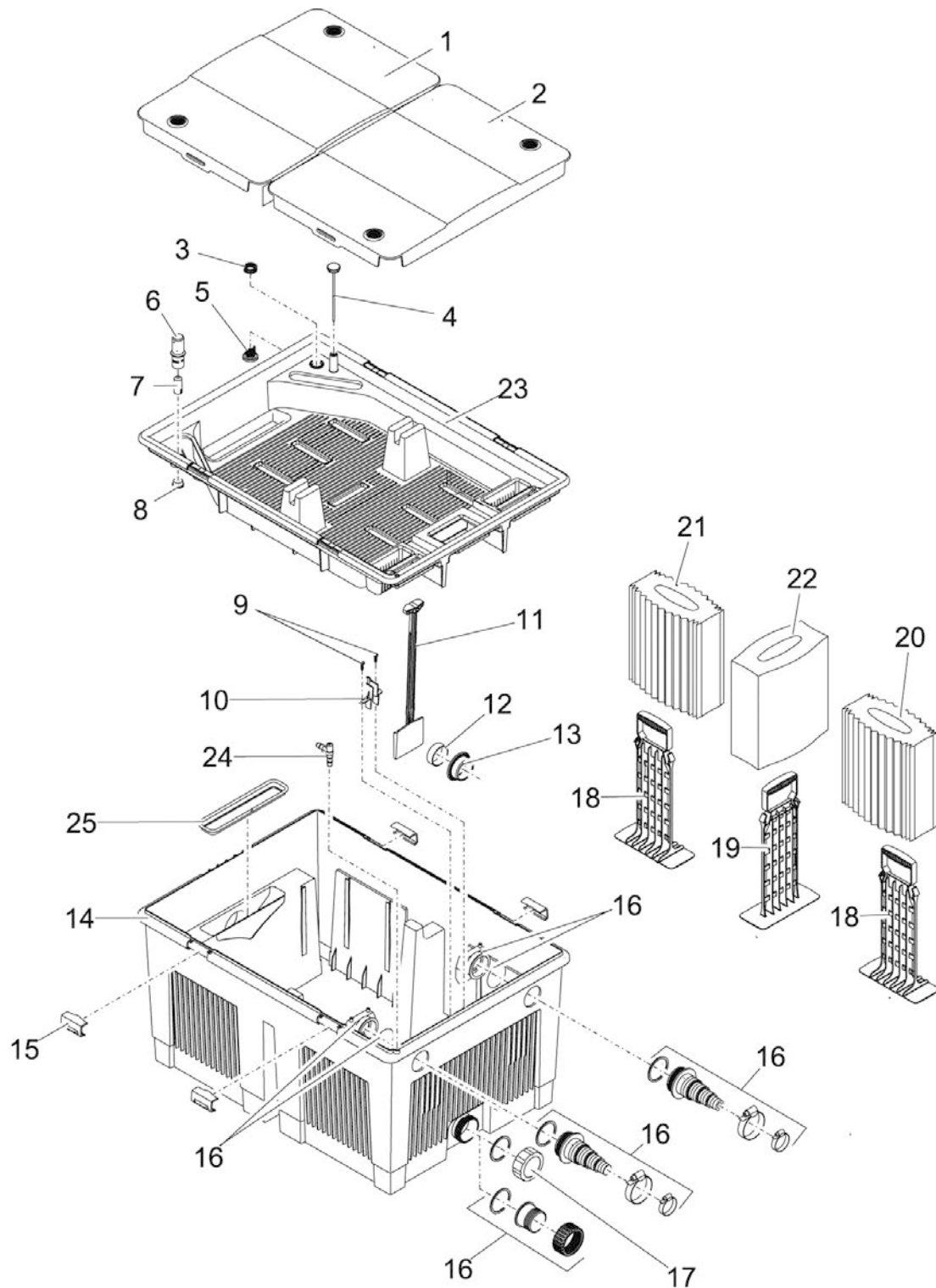
| Item no. | Product |
|----------|-----------------------|
| 56776 | BioSmart 18000 |
| 56777 | BioSmart Set 18000 |
| 56778 | GB BioSmart Set 18000 |



| Pos. | Item no. Product | Product | Item no. Spare part | Spare part | Number |
|------|---------------------|--------------------------|------------------------|---|--------|
| 1 | 56776 | BioSmart 18000 [INT] | 26079 | Cover BioTec 5.1 / 10.1 w/o grating | 1 |
| | 56777 | BioSmart Set 18000 [INT] | | | |
| | 56778 | BioSmart Set 18000 [GB] | | | |
| 2 | 56776 | BioSmart 18000 [INT] | 26636 | Coupling nut 1/2" | 1 |
| | 56777 | BioSmart Set 18000 [INT] | | | |
| | 56778 | BioSmart Set 18000 [GB] | | | |
| 3 | 56776 | BioSmart 18000 [INT] | 29594 | Thermometer neutral | 1 |
| | 56777 | BioSmart Set 18000 [INT] | | | |
| | 56778 | BioSmart Set 18000 [GB] | | | |
| 4 | 56776 | BioSmart 18000 [INT] | 5542 | PVC nipple grey 1/2" | 1 |
| | 56777 | BioSmart Set 18000 [INT] | | | |
| | 56778 | BioSmart Set 18000 [GB] | | | |
| 5 | 56776 | BioSmart 18000 [INT] | 35083 | Housing level indicator BioTec 5.1/10.1 | 1 |
| | 56777 | BioSmart Set 18000 [INT] | | | |
| | 56778 | BioSmart Set 18000 [GB] | | | |
| 6 | 56776 | BioSmart 18000 [INT] | 35084 | Float level indicator BioTec 5.1 / 10.1 | 1 |
| | 56777 | BioSmart Set 18000 [INT] | | | |
| | 56778 | BioSmart Set 18000 [GB] | | | |
| 7 | 56776 | BioSmart 18000 [INT] | 26418 | Sealing plug water level control | 1 |
| | 56777 | BioSmart Set 18000 [INT] | | | |
| | 56778 | BioSmart Set 18000 [GB] | | | |
| 8 | 56776 | BioSmart 18000 [INT] | 22853 | Oval head screw CH-V2A DIN 7981 4,8x19 | 2 |
| | 56777 | BioSmart Set 18000 [INT] | | | |
| | 56778 | BioSmart Set 18000 [GB] | | | |
| 9 | 56776 | BioSmart 18000 [INT] | 35089 | Guiding gate valve | 1 |
| | 56777 | BioSmart Set 18000 [INT] | | | |
| | 56778 | BioSmart Set 18000 [GB] | | | |
| 10 | 56776 | BioSmart 18000 [INT] | 35085 | Drain valve BioTec 5.1 / 10.1 | 1 |
| | 56777 | BioSmart Set 18000 [INT] | | | |
| | 56778 | BioSmart Set 18000 [GB] | | | |
| 11 | 56776 | BioSmart 18000 [INT] | 35103 | Support sleeve gasket | 1 |
| | 56777 | BioSmart Set 18000 [INT] | | | |
| | 56778 | BioSmart Set 18000 [GB] | | | |
| 12 | 56776 | BioSmart 18000 [INT] | 26209 | Sealing BioTec 5.1 / 10.1 SH60 | 1 |
| | 56777 | BioSmart Set 18000 [INT] | | | |
| | 56778 | BioSmart Set 18000 [GB] | | | |
| 13 | 56776 | BioSmart 18000 [INT] | 35087 | Air connection BioTec 5.1 / 10.1 | 1 |
| | 56777 | BioSmart Set 18000 [INT] | | | |
| | 56778 | BioSmart Set 18000 [GB] | | | |
| 14 | 56776 | BioSmart 18000 [INT] | 26075 | Filter box BioTec 5.1 | 1 |
| | 56777 | BioSmart Set 18000 [INT] | | | |
| | 56778 | BioSmart Set 18000 [GB] | | | |
| 15 | 56776 | BioSmart 18000 [INT] | 35086 | Holding clamp BioTec 5.1 / 10.1 | 1 |
| | 56777 | BioSmart Set 18000 [INT] | | | |
| | 56778 | BioSmart Set 18000 [GB] | | | |
| 16 | 56776 | BioSmart 18000 [INT] | 22759 | Add. pack BioSmart 18000 / 36000 | 1 |
| | 56777 | BioSmart Set 18000 [INT] | | | |
| | 56778 | BioSmart Set 18000 [GB] | | | |
| | 56776 | BioSmart 18000 [INT] | 22767 | Add. pack BioSmart Set 18 / 24 / 36000 | 1 |
| | 56777 | BioSmart Set 18000 [INT] | | | |
| | 56778 | BioSmart Set 18000 [GB] | | | |

| Pos. | Item no. Product | Product | Item no. Spare part | Spare part | Number |
|------|---------------------|--------------------------|------------------------|--|--------|
| 17 | 56776 | BioSmart 18000 [INT] | | | |
| | 56777 | BioSmart Set 18000 [INT] | 25993 | Screw cap 2" | 1 |
| | 56778 | BioSmart Set 18000 [GB] | | | |
| 18 | 56776 | BioSmart 18000 [INT] | | | |
| | 56777 | BioSmart Set 18000 [INT] | 35047 | Foam holder BioTec 5.1/10.1 open blue | 3 |
| | 56778 | BioSmart Set 18000 [GB] | | | |
| 19 | 56776 | BioSmart 18000 [INT] | | | |
| | 56777 | BioSmart Set 18000 [INT] | 35082 | Foam holder BioTec 5.1/10.1 closed black | 1 |
| | 56778 | BioSmart Set 18000 [GB] | | | |
| 20 | 56776 | BioSmart 18000 [INT] | | | 2 |
| | 56777 | BioSmart Set 18000 [INT] | 56678 | Replacement foam blue BioSmart 18-36000 | 1 |
| | 56778 | BioSmart Set 18000 [GB] | | | 1 |
| 21 | 56776 | BioSmart 18000 [INT] | | | |
| | 56777 | BioSmart Set 18000 [INT] | 56677 | Replacement foam red BioSmart 18-36000 | 1 |
| | 56778 | BioSmart Set 18000 [GB] | | | |
| 22 | 56776 | BioSmart 18000 [INT] | | | |
| | 56777 | BioSmart Set 18000 [INT] | 56679 | Replacement foam green BioSmart 18-36000 | 1 |
| | 56778 | BioSmart Set 18000 [GB] | | | |
| 23 | 56776 | BioSmart 18000 [INT] | | | |
| | 56777 | BioSmart Set 18000 [INT] | 26076 | Inner cover BioTec 5.1 | 1 |
| | 56778 | BioSmart Set 18000 [GB] | | | |
| 24 | 56776 | BioSmart 18000 [INT] | | | |
| | 56777 | BioSmart Set 18000 [INT] | 71419 | Gasket inside cover 2018 | 1 |
| | 56778 | BioSmart Set 18000 [GB] | | | |

| Item no. | Product |
|----------|-----------------------|
| 56641 | BioSmart 36000 |
| 56781 | BioSmart Set 24000 |
| 56789 | BioSmart Set 36000 |
| 56785 | GB BioSmart Set 24000 |
| 56793 | GB BioSmart Set 36000 |

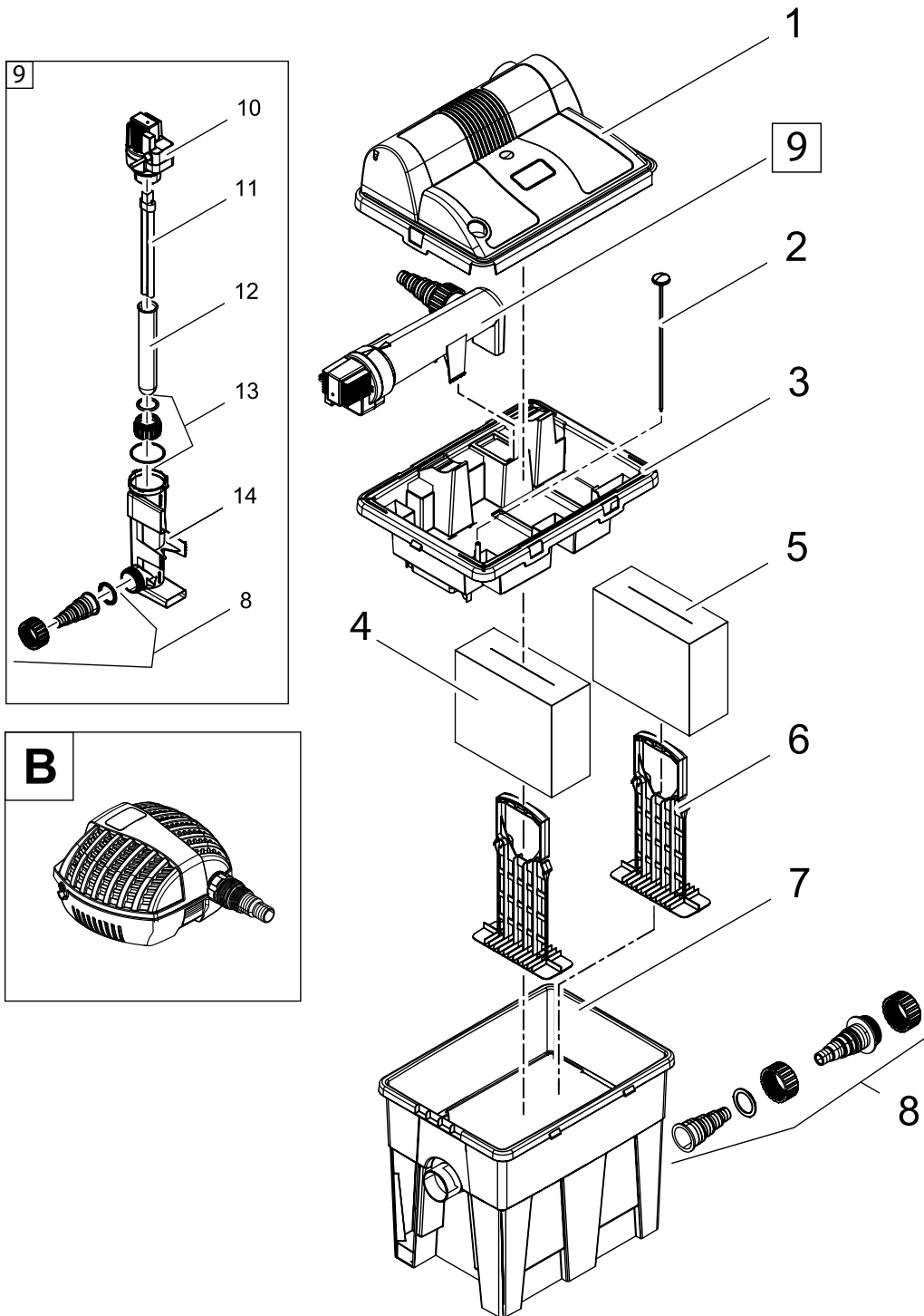


| Pos. | Item no. Product | Product | Item no. Spare part | Spare part | Number |
|------|---------------------|--------------------------|------------------------|---|--------|
| 1 | 56641 | BioSmart 36000 [INT] | 26079 | Cover BioTec 5.1 / 10.1 w/o grating | 1 |
| | 56781 | BioSmart Set 24000 [INT] | | | |
| | 56785 | BioSmart Set 24000 [GB] | | | |
| | 56789 | BioSmart Set 36000 [INT] | | | |
| | 56793 | BioSmart Set 36000 [GB] | | | |
| 2 | 56641 | BioSmart 36000 [INT] | 26214 | Cover BioSmart 30000 with grating | 1 |
| | 56781 | BioSmart Set 24000 [INT] | | | |
| | 56785 | BioSmart Set 24000 [GB] | | | |
| | 56789 | BioSmart Set 36000 [INT] | | | |
| | 56793 | BioSmart Set 36000 [GB] | | | |
| 3 | 56641 | BioSmart 36000 [INT] | 26636 | Coupling nut 1/2" | 1 |
| | 56781 | BioSmart Set 24000 [INT] | | | |
| | 56785 | BioSmart Set 24000 [GB] | | | |
| | 56789 | BioSmart Set 36000 [INT] | | | |
| | 56793 | BioSmart Set 36000 [GB] | | | |
| 4 | 56641 | BioSmart 36000 [INT] | 29594 | Thermometer neutral | 1 |
| | 56781 | BioSmart Set 24000 [INT] | | | |
| | 56785 | BioSmart Set 24000 [GB] | | | |
| | 56789 | BioSmart Set 36000 [INT] | | | |
| | 56793 | BioSmart Set 36000 [GB] | | | |
| 5 | 56641 | BioSmart 36000 [INT] | 5542 | PVC nipple grey 1/2" | 1 |
| | 56781 | BioSmart Set 24000 [INT] | | | |
| | 56785 | BioSmart Set 24000 [GB] | | | |
| | 56789 | BioSmart Set 36000 [INT] | | | |
| | 56793 | BioSmart Set 36000 [GB] | | | |
| 6 | 56641 | BioSmart 36000 [INT] | 35083 | Housing level indicator BioTec 5.1/10.1 | 1 |
| | 56781 | BioSmart Set 24000 [INT] | | | |
| | 56785 | BioSmart Set 24000 [GB] | | | |
| | 56789 | BioSmart Set 36000 [INT] | | | |
| | 56793 | BioSmart Set 36000 [GB] | | | |
| 7 | 56641 | BioSmart 36000 [INT] | 35084 | Float level indicator BioTec 5.1 / 10.1 | 1 |
| | 56781 | BioSmart Set 24000 [INT] | | | |
| | 56785 | BioSmart Set 24000 [GB] | | | |
| | 56789 | BioSmart Set 36000 [INT] | | | |
| | 56793 | BioSmart Set 36000 [GB] | | | |
| 8 | 56641 | BioSmart 36000 [INT] | 26418 | Sealing plug water level control | 1 |
| | 56781 | BioSmart Set 24000 [INT] | | | |
| | 56785 | BioSmart Set 24000 [GB] | | | |
| | 56789 | BioSmart Set 36000 [INT] | | | |
| | 56793 | BioSmart Set 36000 [GB] | | | |
| 9 | 56641 | BioSmart 36000 [INT] | 22853 | Oval head screw CH-V2A DIN 7981 4,8x19 | 2 |
| | 56781 | BioSmart Set 24000 [INT] | | | |
| | 56785 | BioSmart Set 24000 [GB] | | | |
| | 56789 | BioSmart Set 36000 [INT] | | | |
| | 56793 | BioSmart Set 36000 [GB] | | | |

| Pos. | Item no. Product | Product | Item no. Spare part | Spare part | Number |
|------|---------------------|--------------------------|------------------------|--|--------|
| 10 | 56641 | BioSmart 36000 [INT] | 35089 | Guiding gate valve | 1 |
| | 56781 | BioSmart Set 24000 [INT] | | | |
| | 56785 | BioSmart Set 24000 [GB] | | | |
| | 56789 | BioSmart Set 36000 [INT] | | | |
| | 56793 | BioSmart Set 36000 [GB] | | | |
| 11 | 56641 | BioSmart 36000 [INT] | 35085 | Drain valve BioTec 5.1 / 10.1 | 1 |
| | 56781 | BioSmart Set 24000 [INT] | | | |
| | 56785 | BioSmart Set 24000 [GB] | | | |
| | 56789 | BioSmart Set 36000 [INT] | | | |
| | 56793 | BioSmart Set 36000 [GB] | | | |
| 12 | 56641 | BioSmart 36000 [INT] | 35103 | Support sleeve gasket | 1 |
| | 56781 | BioSmart Set 24000 [INT] | | | |
| | 56785 | BioSmart Set 24000 [GB] | | | |
| | 56789 | BioSmart Set 36000 [INT] | | | |
| | 56793 | BioSmart Set 36000 [GB] | | | |
| 13 | 56641 | BioSmart 36000 [INT] | 26209 | Sealing BioTec 5.1 / 10.1 SH60 | 1 |
| | 56781 | BioSmart Set 24000 [INT] | | | |
| | 56785 | BioSmart Set 24000 [GB] | | | |
| | 56789 | BioSmart Set 36000 [INT] | | | |
| | 56793 | BioSmart Set 36000 [GB] | | | |
| 14 | 56641 | BioSmart 36000 [INT] | 26077 | Filter box BioSmart 30000 | 1 |
| | 56781 | BioSmart Set 24000 [INT] | | | |
| | 56785 | BioSmart Set 24000 [GB] | | | |
| | 56789 | BioSmart Set 36000 [INT] | | | |
| | 56793 | BioSmart Set 36000 [GB] | | | |
| 15 | 56641 | BioSmart 36000 [INT] | 35086 | Holding clamp BioTec 5.1 / 10.1 | 1 |
| | 56781 | BioSmart Set 24000 [INT] | | | |
| | 56785 | BioSmart Set 24000 [GB] | | | |
| | 56789 | BioSmart Set 36000 [INT] | | | |
| | 56793 | BioSmart Set 36000 [GB] | | | |
| 16 | 56641 | BioSmart 36000 [INT] | 22759 | Add. pack BioSmart 18000 / 36000 | 1 |
| | 56781 | BioSmart Set 24000 [INT] | 22767 | Add. pack BioSmart Set 18 / 24 / 36000 | 1 |
| | 56785 | BioSmart Set 24000 [GB] | 22759 | Add. pack BioSmart 18000 / 36000 | 1 |
| | 56789 | BioSmart Set 36000 [INT] | | | |
| | 56793 | BioSmart Set 36000 [GB] | | | |
| 17 | 56641 | BioSmart 36000 [INT] | 25993 | Screw cap 2" | 1 |
| | 56781 | BioSmart Set 24000 [INT] | | | |
| | 56785 | BioSmart Set 24000 [GB] | | | |
| | 56789 | BioSmart Set 36000 [INT] | | | |
| | 56793 | BioSmart Set 36000 [GB] | | | |
| 18 | 56641 | BioSmart 36000 [INT] | 35047 | Foam holder BioTec 5.1/10.1 open blue | 8 |
| | 56781 | BioSmart Set 24000 [INT] | | | |
| | 56785 | BioSmart Set 24000 [GB] | | | |
| | 56789 | BioSmart Set 36000 [INT] | | | |
| | 56793 | BioSmart Set 36000 [GB] | | | |

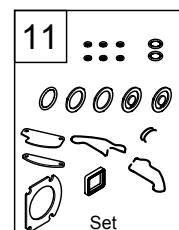
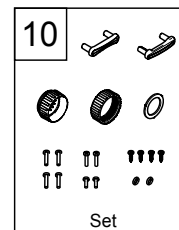
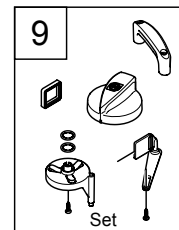
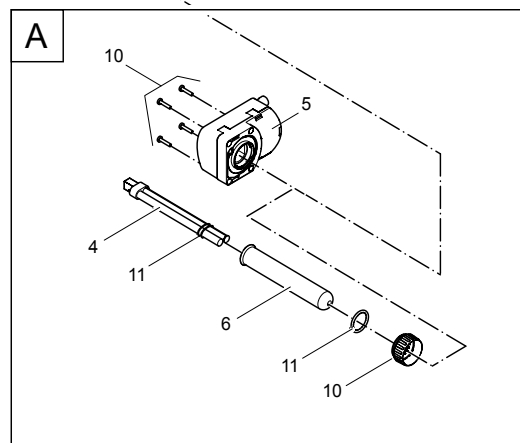
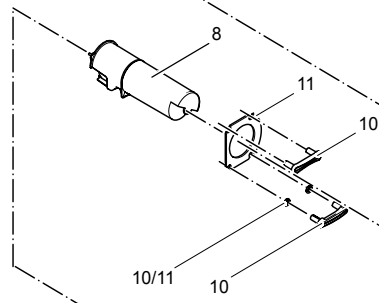
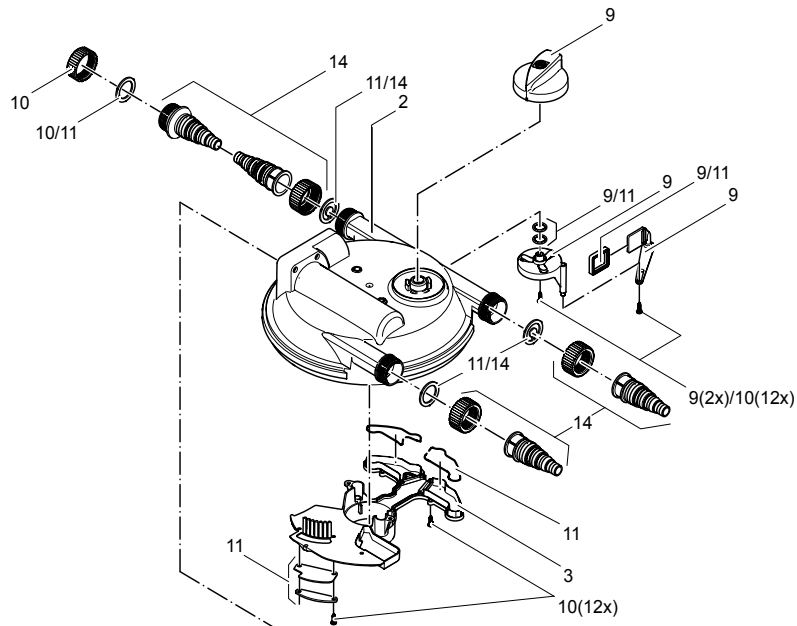
| Pos. | Item no. Product | Product | Item no. Spare part | Spare part | Number |
|------|---------------------|--------------------------|------------------------|--|--------|
| | 56641 | BioSmart 36000 [INT] | | | |
| | 56781 | BioSmart Set 24000 [INT] | | | |
| 19 | 56785 | BioSmart Set 24000 [GB] | 35082 | Foam holder BioTec 5.1/10.1 closed black | 1 |
| | 56789 | BioSmart Set 36000 [INT] | | | |
| | 56793 | BioSmart Set 36000 [GB] | | | |
| | 56641 | BioSmart 36000 [INT] | | | |
| | 56781 | BioSmart Set 24000 [INT] | | | |
| 20 | 56785 | BioSmart Set 24000 [GB] | 56678 | Replacement foam blue BioSmart 18-36000 | 4 |
| | 56789 | BioSmart Set 36000 [INT] | | | |
| | 56793 | BioSmart Set 36000 [GB] | | | |
| | 56641 | BioSmart 36000 [INT] | | | |
| | 56781 | BioSmart Set 24000 [INT] | | | |
| 21 | 56785 | BioSmart Set 24000 [GB] | 56677 | Replacement foam red BioSmart 18-36000 | 4 |
| | 56789 | BioSmart Set 36000 [INT] | | | |
| | 56793 | BioSmart Set 36000 [GB] | | | |
| | 56641 | BioSmart 36000 [INT] | | | |
| | 56781 | BioSmart Set 24000 [INT] | | | |
| 22 | 56785 | BioSmart Set 24000 [GB] | 56679 | Replacement foam green BioSmart 18-36000 | 1 |
| | 56789 | BioSmart Set 36000 [INT] | | | |
| | 56793 | BioSmart Set 36000 [GB] | | | |
| | 56641 | BioSmart 36000 [INT] | | | |
| | 56781 | BioSmart Set 24000 [INT] | | | |
| 23 | 56785 | BioSmart Set 24000 [GB] | 26078 | Inner cover BioSmart 30000 | 1 |
| | 56789 | BioSmart Set 36000 [INT] | | | |
| | 56793 | BioSmart Set 36000 [GB] | | | |
| | 56641 | BioSmart 36000 [INT] | | | |
| | 56781 | BioSmart Set 24000 [INT] | | | |
| 24 | 56785 | BioSmart Set 24000 [GB] | 35087 | Air connection BioTec 5.1 / 10.1 | 1 |
| | 56789 | BioSmart Set 36000 [INT] | | | |
| | 56793 | BioSmart Set 36000 [GB] | | | |
| | 56641 | BioSmart 36000 [INT] | | | |
| | 56781 | BioSmart Set 24000 [INT] | | | |
| 25 | 56785 | BioSmart Set 24000 [GB] | 71419 | Gasket inside cover 2018 | 1 |
| | 56789 | BioSmart Set 36000 [INT] | | | |
| | 56793 | BioSmart Set 36000 [GB] | | | |

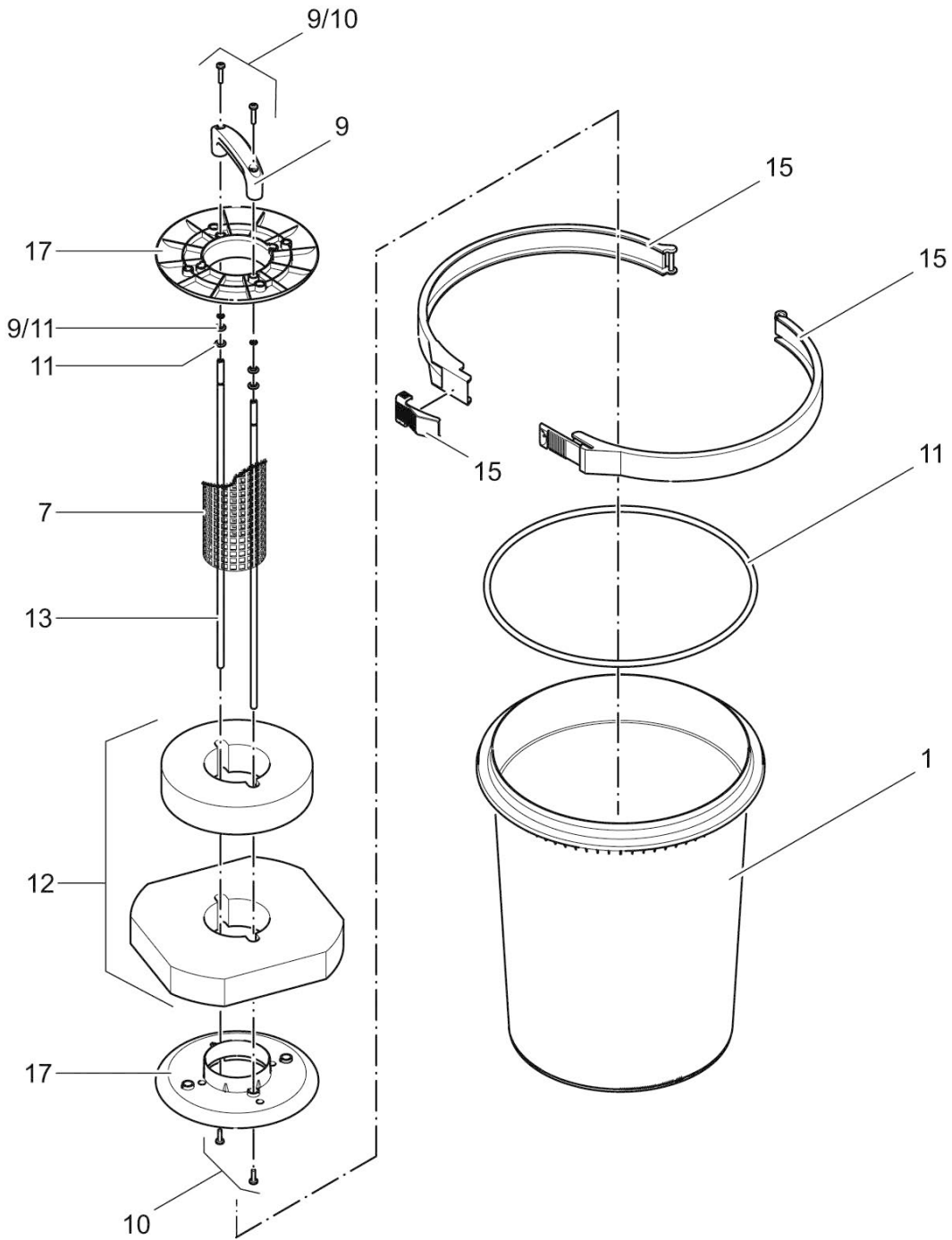
| Item no. | Product |
|----------|-------------------|
| 50449 | BioSmart Set 7000 |
| 50525 | BioSmart Set 5000 |
| 57375 | BioSmart UVC 8000 |



| Pos. | Item no. Product | Product | Item no. Spare part | Spare part | Number |
|------|---------------------|-------------------------|------------------------|--|--------|
| | 50449 | BioSmart Set 7000 [INT] | | | |
| 1 | 50525 | BioSmart Set 5000 [INT] | 29404 | Cover UVC BioSmart | 1 |
| | 57375 | BioSmart UVC 8000 [INT] | | | |
| | 50449 | BioSmart Set 7000 [INT] | | | |
| 2 | 50525 | BioSmart Set 5000 [INT] | 29594 | Thermometer neutral | 1 |
| | 57375 | BioSmart UVC 8000 [INT] | | | |
| | 50449 | BioSmart Set 7000 [INT] | 34897 | Inner cover BioSmart 7000/8000 | 1 |
| 3 | 50525 | BioSmart Set 5000 [INT] | 34896 | Inner cover BioSmart 5000 | 1 |
| | 57375 | BioSmart UVC 8000 [INT] | 34897 | Inner cover BioSmart 7000/8000 | 1 |
| | 50449 | BioSmart Set 7000 [INT] | | | |
| 4 | 50525 | BioSmart Set 5000 [INT] | 35791 | Replacement foam red BioSmart | 1 |
| | 57375 | BioSmart UVC 8000 [INT] | | | |
| | 50449 | BioSmart Set 7000 [INT] | | | 2 |
| 5 | 50525 | BioSmart Set 5000 [INT] | 35792 | Replacement foam blue BioSmart | 1 |
| | 57375 | BioSmart UVC 8000 [INT] | | | 2 |
| | 50449 | BioSmart Set 7000 [INT] | | | 3 |
| 6 | 50525 | BioSmart Set 5000 [INT] | 34899 | Foam holder DLF OEM03 | 2 |
| | 57375 | BioSmart UVC 8000 [INT] | | | 3 |
| | 50449 | BioSmart Set 7000 [INT] | | | |
| 7 | 50525 | BioSmart Set 5000 [INT] | 25727 | Filter box BioSmart 5000-7000 with UVC | 1 |
| | 57375 | BioSmart UVC 8000 [INT] | | | |
| | 50449 | BioSmart Set 7000 [INT] | | | |
| 8 | 50525 | BioSmart Set 5000 [INT] | 35204 | Spare connection kit BioSm 5-16000 w UVC | 1 |
| | 57375 | BioSmart UVC 8000 [INT] | | | |
| | 50449 | BioSmart Set 7000 [INT] | 10767 | ASM UVC 9 W cpl. | 1 |
| 9 | 50525 | BioSmart Set 5000 [INT] | 10763 | ASM UVC 7 W cpl. | 1 |
| | 57375 | BioSmart UVC 8000 [INT] | 10767 | ASM UVC 9 W cpl. | 1 |
| | 50449 | BioSmart Set 7000 [INT] | | | |
| 10 | 50525 | BioSmart Set 5000 [INT] | 15665 | ASM UVC 7 / 9 / 11 W 2011 | 1 |
| | 57375 | BioSmart UVC 8000 [INT] | | | |
| | 50449 | BioSmart Set 7000 [INT] | 54984 | Replacement bulb UVC 9 W | 1 |
| 11 | 50525 | BioSmart Set 5000 [INT] | 57111 | Replacement bulb UVC 7 W | 1 |
| | 57375 | BioSmart UVC 8000 [INT] | 54984 | Replacement bulb UVC 9 W | 1 |
| | 50449 | BioSmart Set 7000 [INT] | | | |
| 12 | 50525 | BioSmart Set 5000 [INT] | 13312 | Quartz glass D33 x 200 with rim | 1 |
| | 57375 | BioSmart UVC 8000 [INT] | | | |
| | 50449 | BioSmart Set 7000 [INT] | | | |
| 13 | 50525 | BioSmart Set 5000 [INT] | 15535 | Spare part clip bolt set UVC 7 / 9 / 11 | 1 |
| | 57375 | BioSmart UVC 8000 [INT] | | | |
| | 50449 | BioSmart Set 7000 [INT] | | | |
| 14 | 50525 | BioSmart Set 5000 [INT] | 34900 | UVC water housing DLF OEM03 | 1 |
| | 57375 | BioSmart UVC 8000 [INT] | | | |
| | 50449 | BioSmart Set 7000 [INT] | 13745 | Spare pump FP 2500 | 1 |
| B | 50525 | BioSmart Set 5000 [INT] | 15329 | Spare pump FP 1500 | 1 |
| | 57375 | BioSmart UVC 8000 [INT] | 13745 | Spare pump FP 2500 | 1 |

| Item no. | Product |
|----------|---------------------|
| 55997 | FiltoClear 3000 |
| 55998 | FiltoClear 6000 |
| 55999 | FiltoClear 11000 |
| 56051 | GB FiltoClear 3000 |
| 56052 | GB FiltoClear 6000 |
| 56053 | GB FiltoClear 11000 |
| 56826 | GB FiltoClear 15000 |



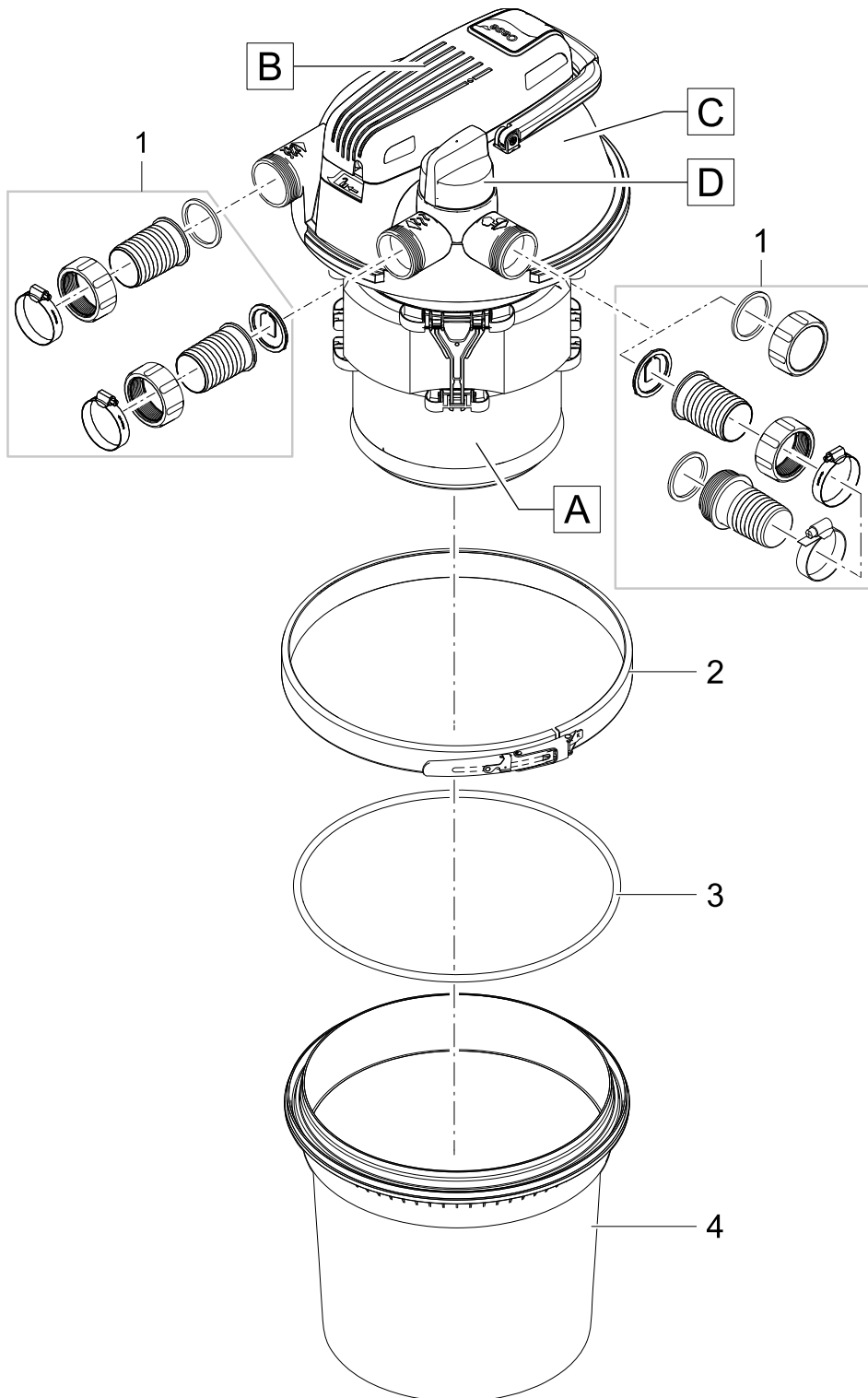


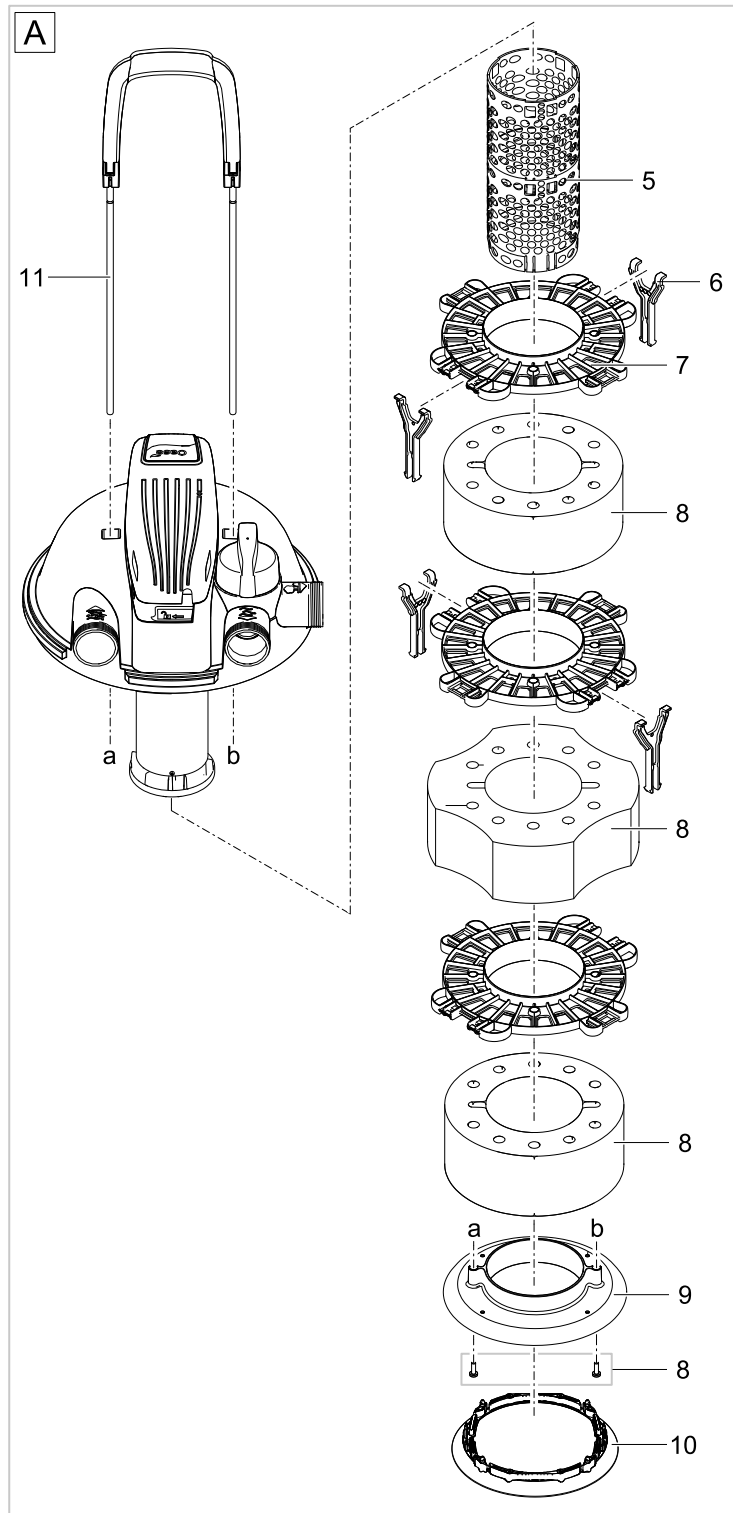
| Pos. | Item no. Product | Product | Item no. Spare part | Spare part | Number |
|------|---------------------|------------------------|------------------------|---|--------|
| 1 | 55997 | FiltoClear 3000 [INT] | 89001 | Filter box FiltoClear 3000/5000 | 1 |
| | 55998 | FiltoClear 6000 [INT] | 89002 | Filter box FiltoClear 6000/12000/13000 | 1 |
| | 55999 | FiltoClear 11000 [INT] | 89003 | Filter box FiltoClear 11000/16000/19000 | 1 |
| | 56051 | FiltoClear 3000 [GB] | 89001 | Filter box FiltoClear 3000/5000 | 1 |
| | 56052 | FiltoClear 6000 [GB] | 89002 | Filter box FiltoClear 6000/12000/13000 | 1 |
| | 56053 | FiltoClear 11000 [GB] | 89003 | Filter box FiltoClear 11000/16000/19000 | 1 |
| | 56826 | FiltoClear 15000 [GB] | 89004 | Filter box FiltoClear 20000/30000/31000 | 1 |
| 2 | 55997 | FiltoClear 3000 [INT] | | | |
| | 55998 | FiltoClear 6000 [INT] | | | |
| | 55999 | FiltoClear 11000 [INT] | | | |
| | 56051 | FiltoClear 3000 [GB] | 24459 | Cover FiltoClear 3000-15000 | 1 |
| | 56052 | FiltoClear 6000 [GB] | | | |
| | 56053 | FiltoClear 11000 [GB] | | | |
| | 56826 | FiltoClear 15000 [GB] | | | |
| 3 | 55997 | FiltoClear 3000 [INT] | | | |
| | 55998 | FiltoClear 6000 [INT] | | | |
| | 55999 | FiltoClear 11000 [INT] | | | |
| | 56051 | FiltoClear 3000 [GB] | 24457 | Inner part cover FiltoClear | 1 |
| | 56052 | FiltoClear 6000 [GB] | | | |
| | 56053 | FiltoClear 11000 [GB] | | | |
| | 56826 | FiltoClear 15000 [GB] | | | |
| 4 | 55997 | FiltoClear 3000 [INT] | 54984 | Replacement bulb UVC 9 W | 1 |
| | 55998 | FiltoClear 6000 [INT] | 56112 | Replacement bulb UVC 11 W | 1 |
| | 55999 | FiltoClear 11000 [INT] | | | |
| | 56051 | FiltoClear 3000 [GB] | 54984 | Replacement bulb UVC 9 W | 1 |
| | 56052 | FiltoClear 6000 [GB] | | | |
| | 56053 | FiltoClear 11000 [GB] | 56112 | Replacement bulb UVC 11 W | 1 |
| | 56826 | FiltoClear 15000 [GB] | | | |
| 5 | 55997 | FiltoClear 3000 [INT] | | | |
| | 55998 | FiltoClear 6000 [INT] | | | |
| | 55999 | FiltoClear 11000 [INT] | | | |
| | 56051 | FiltoClear 3000 [GB] | 14360 | ASM UVC FiltoClear 9/11 W 230 V ASE | 1 |
| | 56052 | FiltoClear 6000 [GB] | | | |
| | 56053 | FiltoClear 11000 [GB] | | | |
| | 56826 | FiltoClear 15000 [GB] | | | |
| 6 | 55997 | FiltoClear 3000 [INT] | | | |
| | 55998 | FiltoClear 6000 [INT] | | | |
| | 55999 | FiltoClear 11000 [INT] | | | |
| | 56051 | FiltoClear 3000 [GB] | 13312 | Quartz glass D33 x 200 with rim | 1 |
| | 56052 | FiltoClear 6000 [GB] | | | |
| | 56053 | FiltoClear 11000 [GB] | | | |
| | 56826 | FiltoClear 15000 [GB] | | | |
| 7 | 55997 | FiltoClear 3000 [INT] | 14235 | Mesh tube FiltoClear 3000 / 145 mm | 1 |
| | 55998 | FiltoClear 6000 [INT] | 14236 | Mesh tube FiltoClear 6000 / 263 mm | 1 |
| | 55999 | FiltoClear 11000 [INT] | 14237 | Mesh tube FiltoClear 11000 / 383 mm | 1 |
| | 56051 | FiltoClear 3000 [GB] | 14235 | Mesh tube FiltoClear 3000 / 145 mm | 1 |
| | 56052 | FiltoClear 6000 [GB] | 14236 | Mesh tube FiltoClear 6000 / 263 mm | 1 |
| | 56053 | FiltoClear 11000 [GB] | 14237 | Mesh tube FiltoClear 11000 / 383 mm | 1 |
| | 56826 | FiltoClear 15000 [GB] | 14238 | Mesh tube FiltoClear 15000 / 503 mm | 1 |

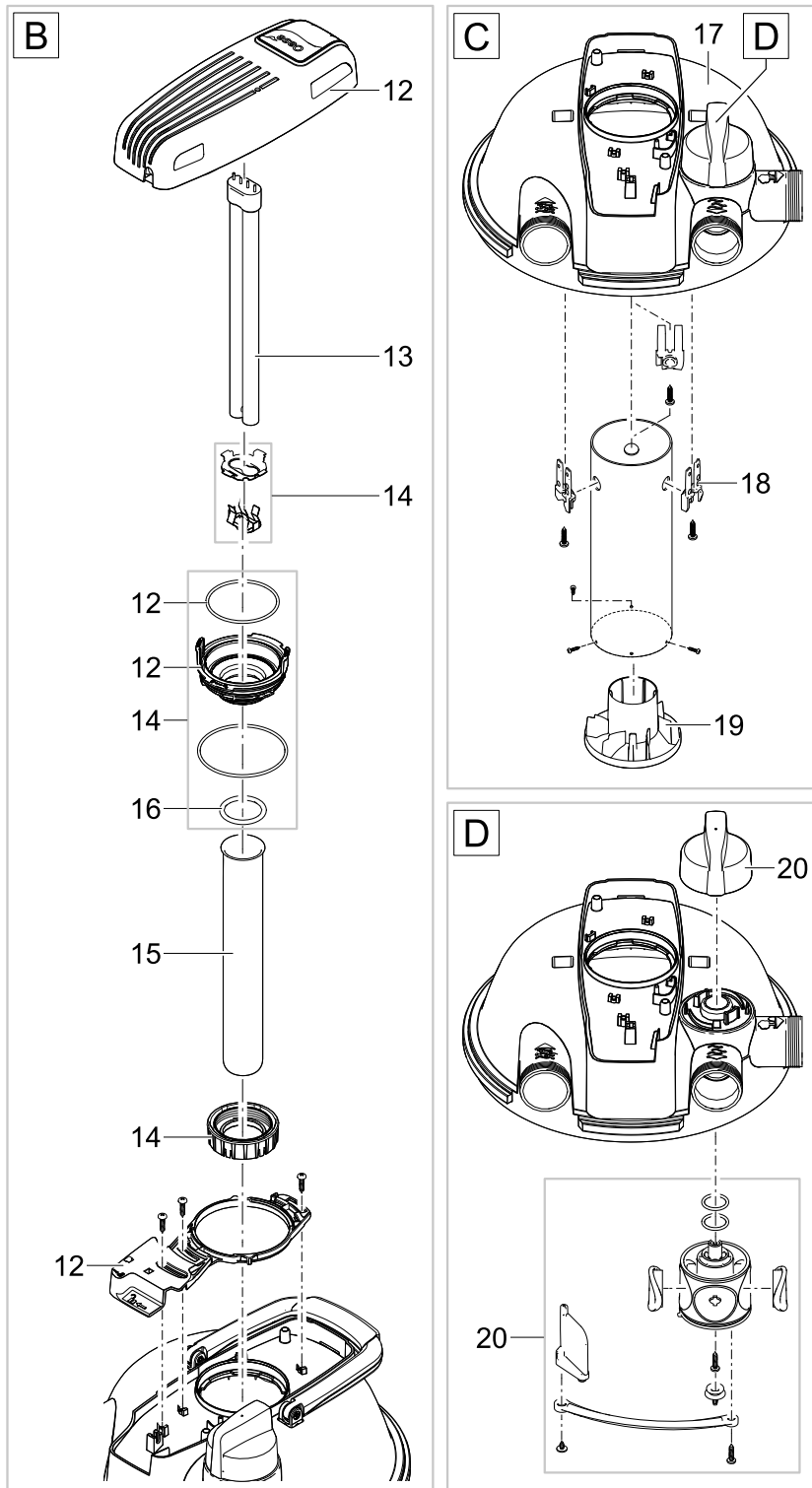
| Pos. | Item no. Product | Product | Item no. Spare part | Spare part | Number |
|-------|------------------------|------------------------|------------------------|--|--------|
| 8 | 55997 | FiltoClear 3000 [INT] | 34521 | Protection pipe UVC | 1 |
| | 55998 | FiltoClear 6000 [INT] | | | |
| | 55999 | FiltoClear 11000 [INT] | | | |
| | 56051 | FiltoClear 3000 [GB] | | | |
| | 56052 | FiltoClear 6000 [GB] | | | |
| | 56053 | FiltoClear 11000 [GB] | | | |
| 9 | 56826 | FiltoClear 15000 [GB] | 35256 | ASM protection pipe UVC with reflector | 1 |
| | 55997 | FiltoClear 3000 [INT] | 34579 | Spare set operation pieces FiltoClear | 1 |
| | 55998 | FiltoClear 6000 [INT] | | | |
| | 55999 | FiltoClear 11000 [INT] | | | |
| | 56051 | FiltoClear 3000 [GB] | | | |
| | 56052 | FiltoClear 6000 [GB] | | | |
| | 56053 | FiltoClear 11000 [GB] | | | |
| | 56826 | FiltoClear 15000 [GB] | | | |
| 10 | 55997 | FiltoClear 3000 [INT] | | | |
| | 55998 | FiltoClear 6000 [INT] | | | |
| | 55999 | FiltoClear 11000 [INT] | | | |
| | 56051 | FiltoClear 3000 [GB] | | | |
| | 56052 | FiltoClear 6000 [GB] | | | |
| | 56053 | FiltoClear 11000 [GB] | | | |
| 11 | 56826 | FiltoClear 15000 [GB] | 34581 | Spare part gasket set FiltoClear | 1 |
| | 55997 | FiltoClear 3000 [INT] | | | |
| | 55998 | FiltoClear 6000 [INT] | | | |
| | 55999 | FiltoClear 11000 [INT] | | | |
| | 56051 | FiltoClear 3000 [GB] | | | |
| | 56052 | FiltoClear 6000 [GB] | | | |
| 12 | 56053 | FiltoClear 11000 [GB] | 56109 | Replacement foam set FiltoClear 3000 | 1 |
| | 56826 | FiltoClear 15000 [GB] | 56110 | Replacement foam set FiltoClear 6000 | 1 |
| | 55997 | FiltoClear 3000 [INT] | 56111 | Replacement foam set FiltoClear 11000 | 1 |
| | 55998 | FiltoClear 6000 [INT] | 56109 | Replacement foam set FiltoClear 3000 | 1 |
| | 55999 | FiltoClear 11000 [INT] | 56110 | Replacement foam set FiltoClear 6000 | 1 |
| | 56051 | FiltoClear 3000 [GB] | 56111 | Replacement foam set FiltoClear 11000 | 1 |
| 13 | 56052 | FiltoClear 6000 [GB] | 56884 | Replacement foam set FiltoClear 15000 | 1 |
| | 56053 | FiltoClear 11000 [GB] | 24749 | Cleaning rod FiltoClear 3000(USA 800) | 2 |
| | 56826 | FiltoClear 15000 [GB] | 24748 | Cleaning rod FiltoClear 6000 (USA 1600) | 2 |
| | 55997 | FiltoClear 3000 [INT] | 24747 | Cleaning rod FiltoClear 11000 (USA 3000) | 2 |
| | 55998 | FiltoClear 6000 [INT] | 24749 | Cleaning rod FiltoClear 3000(USA 800) | 2 |
| | 55999 | FiltoClear 11000 [INT] | 24748 | Cleaning rod FiltoClear 6000 (USA 1600) | 2 |
| 14 | 56051 | FiltoClear 3000 [GB] | 24747 | Cleaning rod FiltoClear 11000 (USA 3000) | 2 |
| | 56052 | FiltoClear 6000 [GB] | 26596 | Cleaning rod FiltoClear 15000-30000 | 2 |
| | 56053 | FiltoClear 11000 [GB] | 34561 | Additional pack FiltoClear 3000-15000 | 1 |
| | 56826 | FiltoClear 15000 [GB] | | | |
| | 55997 | FiltoClear 3000 [INT] | | | |
| | 55998 | FiltoClear 6000 [INT] | | | |
| 55999 | FiltoClear 11000 [INT] | | | | |
| 56051 | FiltoClear 3000 [GB] | | | | |

| Pos. | Item no. Product | Product | Item no. Spare part | Spare part | Number |
|------|---------------------|------------------------|------------------------|-----------------------------------|--------|
| | 55997 | FiltoClear 3000 [INT] | | | |
| | 55998 | FiltoClear 6000 [INT] | | | |
| | 55999 | FiltoClear 11000 [INT] | | | |
| 15 | 56051 | FiltoClear 3000 [GB] | 34578 | ASM clamp pressure filter | 1 |
| | 56052 | FiltoClear 6000 [GB] | | | |
| | 56053 | FiltoClear 11000 [GB] | | | |
| | 56826 | FiltoClear 15000 [GB] | | | |
| | 55997 | FiltoClear 3000 [INT] | | | |
| | 55998 | FiltoClear 6000 [INT] | | | 2 |
| | 55999 | FiltoClear 11000 [INT] | | | |
| 17 | 56051 | FiltoClear 3000 [GB] | 34516 | Disc filter foam | 1 |
| | 56052 | FiltoClear 6000 [GB] | | | 1 |
| | 56053 | FiltoClear 11000 [GB] | | | 1 |
| | 56826 | FiltoClear 15000 [GB] | | | 1 |
| | 55997 | FiltoClear 3000 [INT] | 56162 | Spare ballast cpl. 9 W FiltoClear | 1 |
| | 55998 | FiltoClear 6000 [INT] | | | |
| | 55999 | FiltoClear 11000 [INT] | 56163 | Spare ballast cpl.11 W FiltoClear | 1 |
| A | 56051 | FiltoClear 3000 [GB] | 56162 | Spare ballast cpl. 9 W FiltoClear | 1 |
| | 56052 | FiltoClear 6000 [GB] | | | |
| | 56053 | FiltoClear 11000 [GB] | 56163 | Spare ballast cpl.11 W FiltoClear | 1 |
| | 56826 | FiltoClear 15000 [GB] | | | |

| Item no. | Product |
|----------|---------------------|
| 7776 | FiltoClear 5000 |
| 7777 | FiltoClear 13000 |
| 7778 | GB FiltoClear 5000 |
| 7779 | GB FiltoClear 13000 |



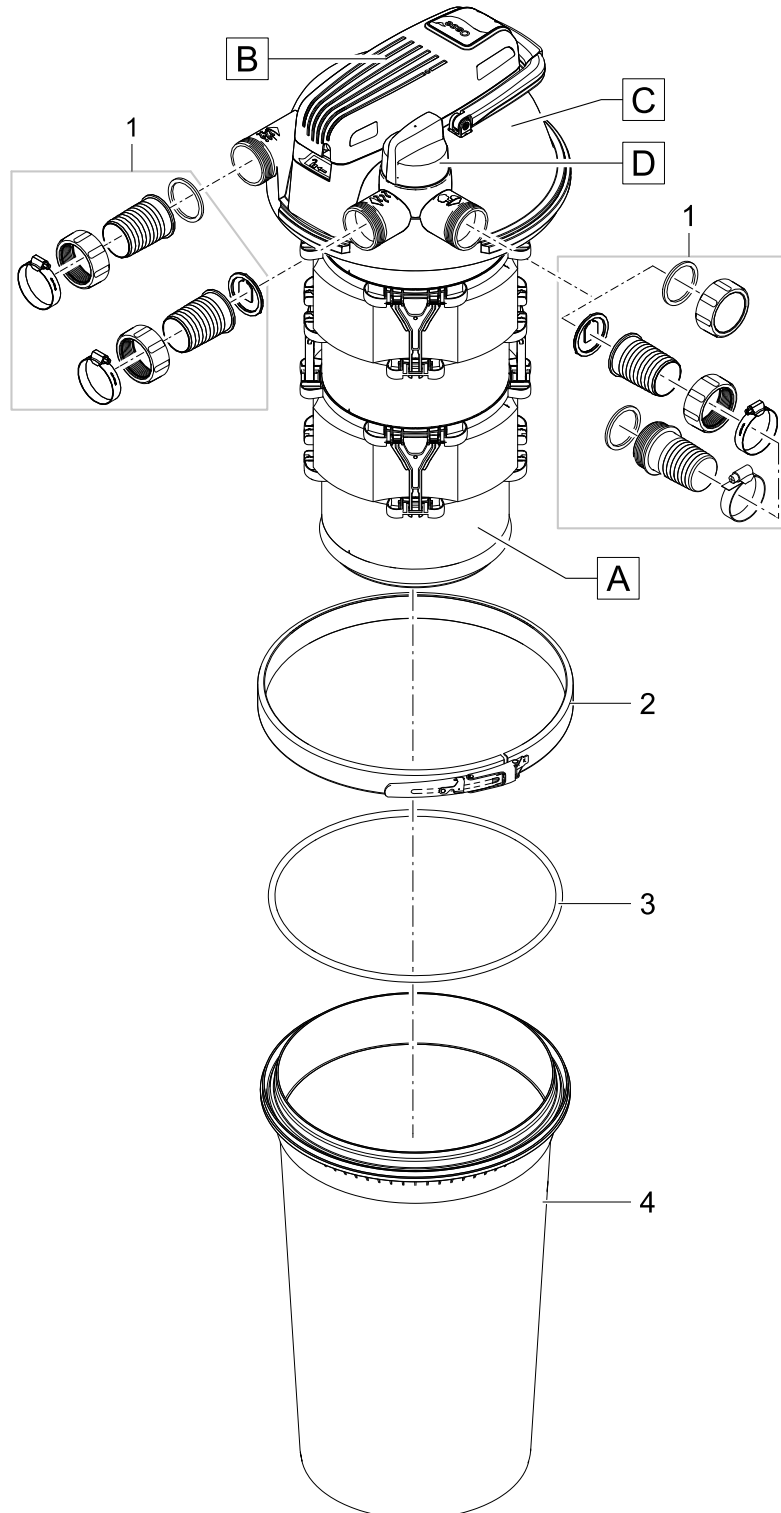


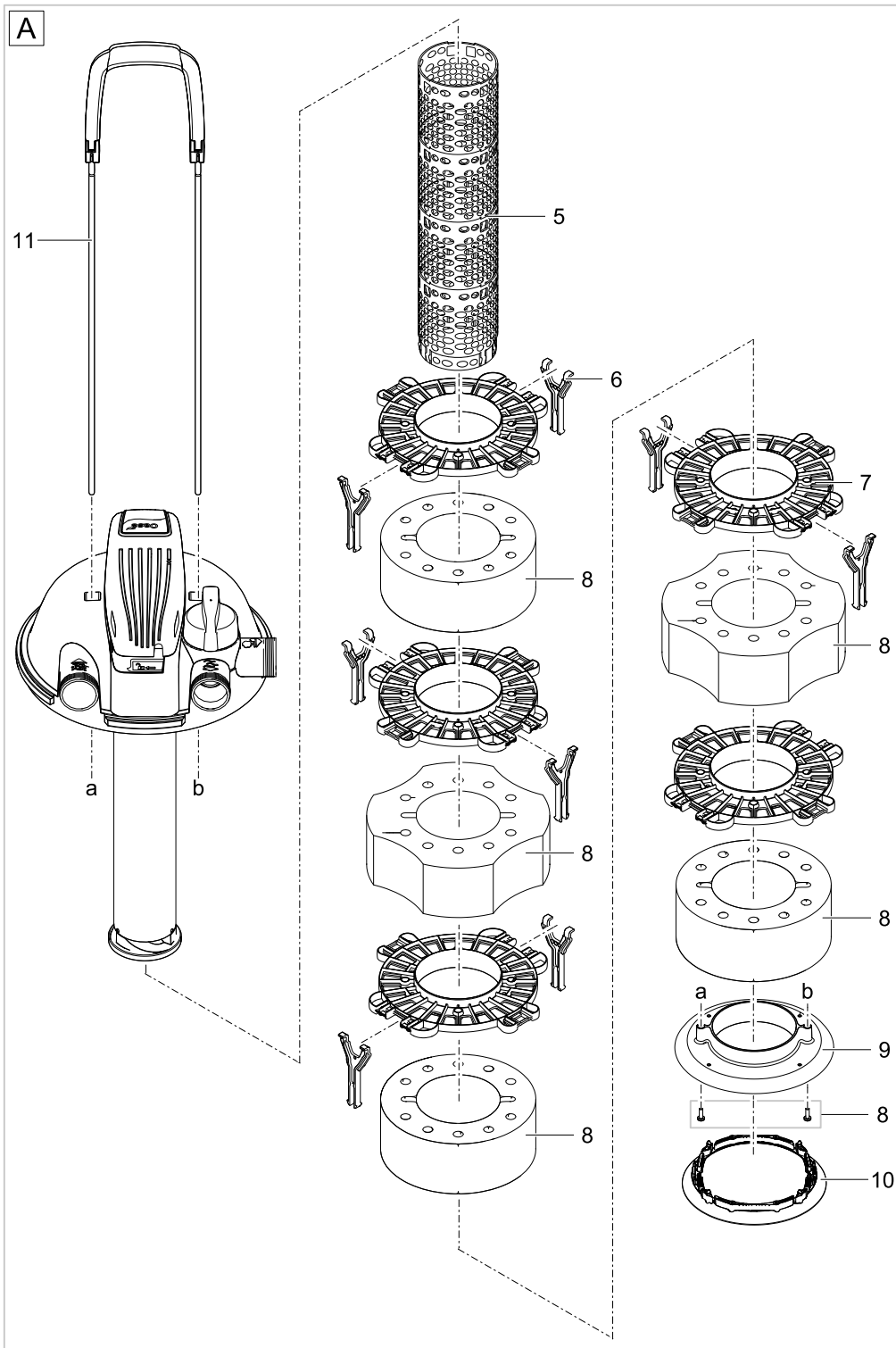


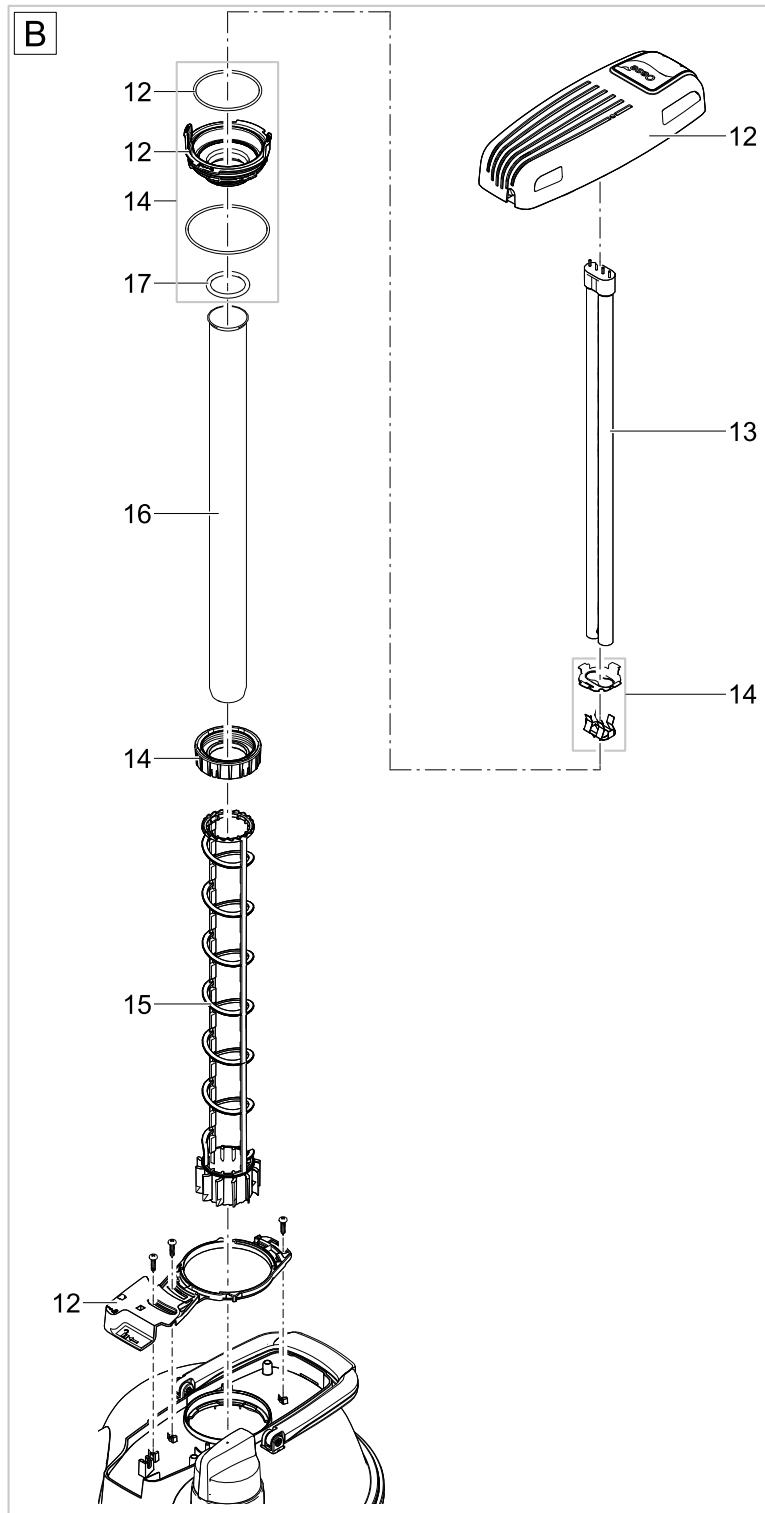
| Pos. | Item no. Product | Product | Item no. Spare part | Spare part | Number |
|------|---------------------|------------------------|------------------------|--|--------|
| 1 | 77776 | FiltoClear 5000 [INT] | 83894 | Additional pack FiltoClear 5000-31000 | 1 |
| | 77777 | FiltoClear 13000 [INT] | | | |
| | 77788 | FiltoClear 5000 [GB] | | | |
| | 77789 | FiltoClear 13000 [GB] | | | |
| 2 | 77776 | FiltoClear 5000 [INT] | 77754 | Clamping ring FiltoClear 3000-31000 | 1 |
| | 77777 | FiltoClear 13000 [INT] | | | |
| | 77788 | FiltoClear 5000 [GB] | | | |
| | 77789 | FiltoClear 13000 [GB] | | | |
| 3 | 77776 | FiltoClear 5000 [INT] | 77773 | O-Ring EPDM-S 330 x 8 SH35 blue | 1 |
| | 77777 | FiltoClear 13000 [INT] | | | |
| | 77788 | FiltoClear 5000 [GB] | | | |
| 4 | 77776 | FiltoClear 5000 [INT] | 89001 | Filter box FiltoClear 3000/5000 | 1 |
| | 77777 | FiltoClear 13000 [INT] | 89002 | Filter box FiltoClear 6000/12000/13000 | 1 |
| | 77788 | FiltoClear 5000 [GB] | 89001 | Filter box FiltoClear 3000/5000 | 1 |
| | 77789 | FiltoClear 13000 [GB] | 89002 | Filter box FiltoClear 6000/12000/13000 | 1 |
| 5 | 77776 | FiltoClear 5000 [INT] | 21618 | Mesh tube FiltoClear moulded | 1 |
| | 77777 | FiltoClear 13000 [INT] | 21653 | Spare mesh tube FiltoClear 12000/13000 | 1 |
| | 77788 | FiltoClear 5000 [GB] | 21618 | Mesh tube FiltoClear moulded | 1 |
| | 77789 | FiltoClear 13000 [GB] | 21653 | Spare mesh tube FiltoClear 12000/13000 | 1 |
| 6 | 77776 | FiltoClear 5000 [INT] | 77733 | Holder foam distance plate FC 5000-31000 | 1 |
| | 77777 | FiltoClear 13000 [INT] | | | |
| | 77788 | FiltoClear 5000 [GB] | | | |
| | 77789 | FiltoClear 13000 [GB] | | | |
| 7 | 77776 | FiltoClear 5000 [INT] | 77732 | Foam dist.plate FiltoClear 5000-31000 | 1 |
| | 77777 | FiltoClear 13000 [INT] | | | |
| | 77788 | FiltoClear 5000 [GB] | | | |
| 8 | 77776 | FiltoClear 5000 [INT] | 77872 | Replacement foam set FiltoClear 5000 | 1 |
| | 77777 | FiltoClear 13000 [INT] | 77873 | Replacement foam set FiltoClear 13000 | 1 |
| | 77788 | FiltoClear 5000 [GB] | 77872 | Replacement foam set FiltoClear 5000 | 1 |
| | 77789 | FiltoClear 13000 [GB] | 77873 | Replacement foam set FiltoClear 13000 | 1 |
| 9 | 77776 | FiltoClear 5000 [INT] | 77734 | Foam plate FiltoClear 5000-31000 | 1 |
| | 77777 | FiltoClear 13000 [INT] | | | |
| | 77788 | FiltoClear 5000 [GB] | | | |
| 10 | 77776 | FiltoClear 5000 [INT] | 77735 | Lip seal FiltoClear 5000-31000 | 1 |
| | 77777 | FiltoClear 13000 [INT] | | | |
| | 77788 | FiltoClear 5000 [GB] | | | |
| | 77789 | FiltoClear 13000 [GB] | | | |
| 11 | 77776 | FiltoClear 5000 [INT] | 83888 | ASM handle unit FiltoClear 5000 | 1 |
| | 77777 | FiltoClear 13000 [INT] | 83889 | ASM handle unit FiltoClear 13000 | 1 |
| | 77788 | FiltoClear 5000 [GB] | 83888 | ASM handle unit FiltoClear 5000 | 1 |
| | 77789 | FiltoClear 13000 [GB] | 83889 | ASM handle unit FiltoClear 13000 | 1 |
| 12 | 77776 | FiltoClear 5000 [INT] | 74369 | Spare lamp head UVC FiltoClear 18 W | 1 |
| | 77777 | FiltoClear 13000 [INT] | 74370 | Spare lamp head UVC FiltoClear 24 W | 1 |
| | 77788 | FiltoClear 5000 [GB] | 74369 | Spare lamp head UVC FiltoClear 18 W | 1 |
| | 77789 | FiltoClear 13000 [GB] | 74370 | Spare lamp head UVC FiltoClear 24 W | 1 |

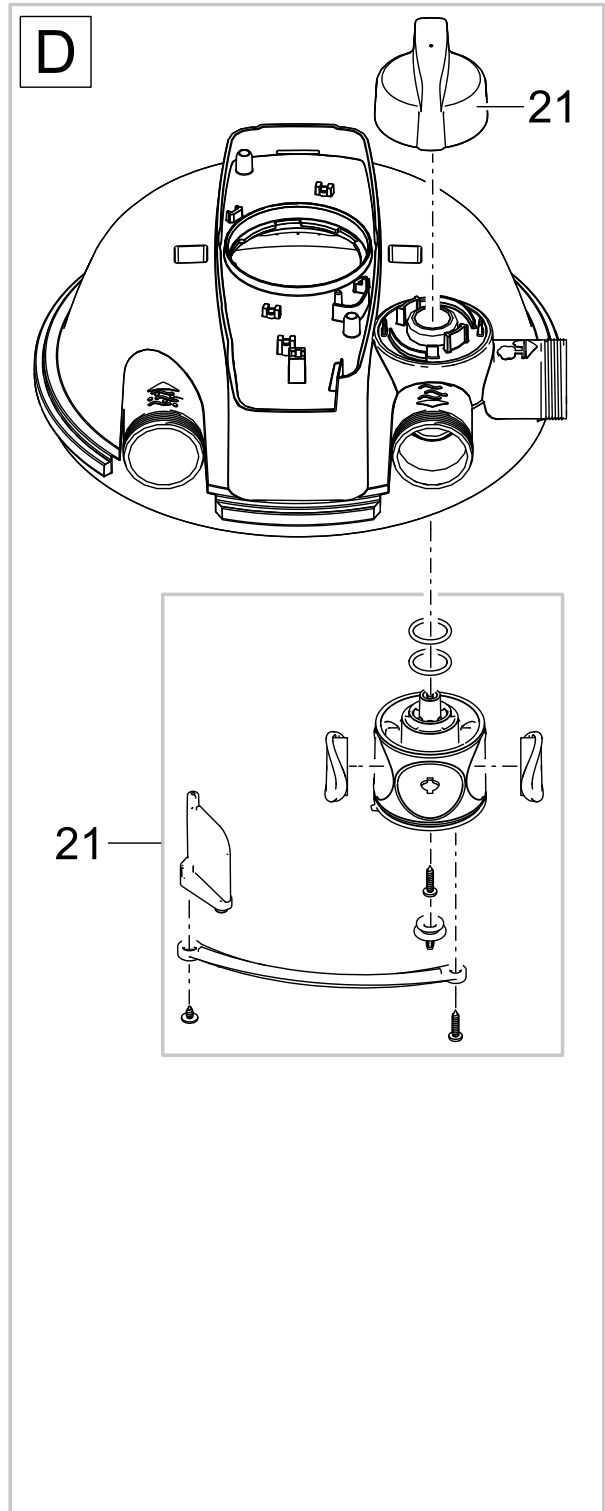
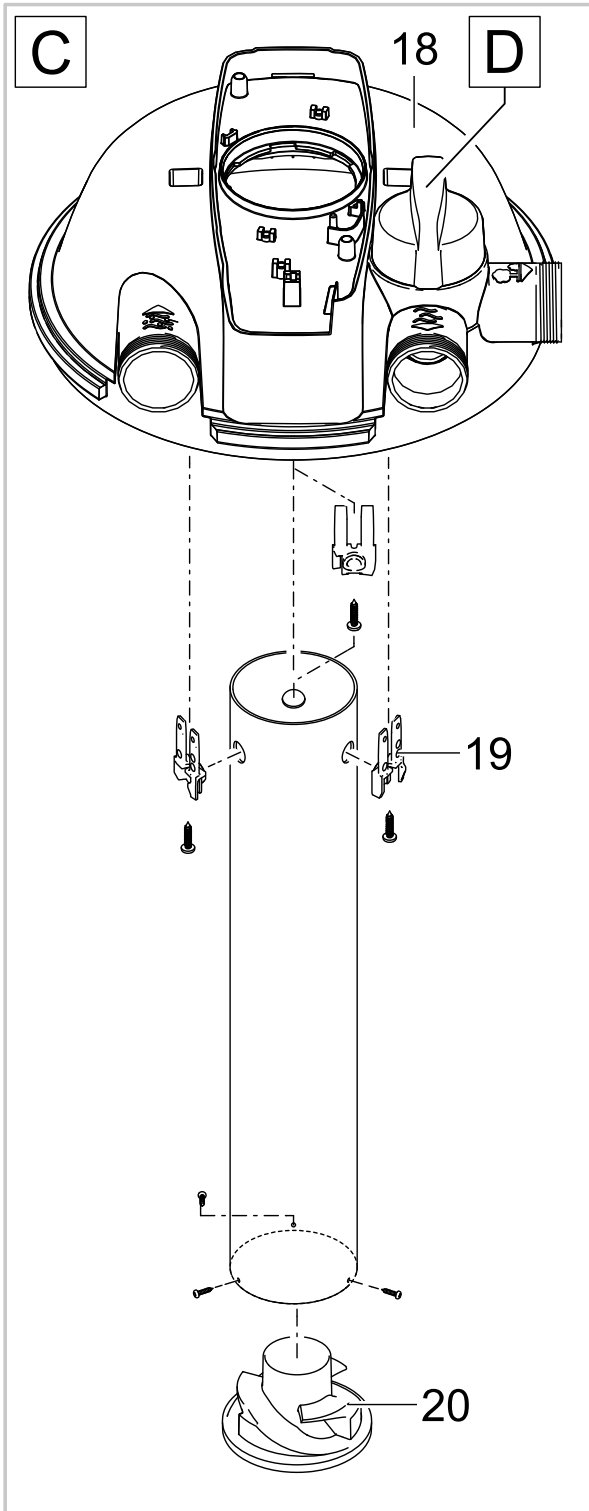
| Pos. | Item no. Product | Product | Item no. Spare part | Spare part | Number |
|------|---------------------|------------------------|------------------------|--|--------|
| 13 | 77776 | FiltoClear 5000 [INT] | 56236 | Replacement bulb UVC 18 W | 1 |
| | 77777 | FiltoClear 13000 [INT] | 56237 | Replacement bulb UVC 24 W | 1 |
| | 77788 | FiltoClear 5000 [GB] | 56236 | Replacement bulb UVC 18 W | 1 |
| | 77789 | FiltoClear 13000 [GB] | 56237 | Replacement bulb UVC 24 W | 1 |
| 14 | 77776 | FiltoClear 5000 [INT] | 74380 | Spare clamp screw UVC FC 18/24/42/60 W | 1 |
| | 77777 | FiltoClear 13000 [INT] | | | |
| | 77788 | FiltoClear 5000 [GB] | | | |
| | 77789 | FiltoClear 13000 [GB] | | | |
| 15 | 77776 | FiltoClear 5000 [INT] | 74377 | Quartz glass D44 x 201.5 with rim | 1 |
| | 77777 | FiltoClear 13000 [INT] | 13332 | Quartz glass D44 x 298 with rim | 1 |
| | 77788 | FiltoClear 5000 [GB] | 74377 | Quartz glass D44 x 201.5 with rim | 1 |
| | 77789 | FiltoClear 13000 [GB] | 13332 | Quartz glass D44 x 298 with rim | 1 |
| 16 | 77776 | FiltoClear 5000 [INT] | 73486 | O-Ring Viton 42 x 5 SH50 greased | 1 |
| | 77777 | FiltoClear 13000 [INT] | | | |
| | 77788 | FiltoClear 5000 [GB] | | | |
| | 77789 | FiltoClear 13000 [GB] | | | |
| 17 | 77776 | FiltoClear 5000 [INT] | 74381 | Spare lid FC 5000/13000/19000/31000 | 1 |
| | 77777 | FiltoClear 13000 [INT] | | | |
| | 77788 | FiltoClear 5000 [GB] | | | |
| | 77789 | FiltoClear 13000 [GB] | | | |
| 18 | 77776 | FiltoClear 5000 [INT] | 86941 | Tube adapter FiltoClear 2022 | 1 |
| | 77777 | FiltoClear 13000 [INT] | | | |
| | 77788 | FiltoClear 5000 [GB] | | | |
| | 77789 | FiltoClear 13000 [GB] | | | |
| 19 | 77776 | FiltoClear 5000 [INT] | 15480 | End cap tube bottom FiltoClear 30000 | 1 |
| | 77777 | FiltoClear 13000 [INT] | | | |
| | 77788 | FiltoClear 5000 [GB] | | | |
| | 77789 | FiltoClear 13000 [GB] | | | |
| 20 | 77776 | FiltoClear 5000 [INT] | 74368 | Handle/flap FC 5000/13000/19000/31000 | 1 |
| | 77777 | FiltoClear 13000 [INT] | | | |
| | 77788 | FiltoClear 5000 [GB] | | | |
| | 77789 | FiltoClear 13000 [GB] | | | |

| Item no. | Product |
|----------|---------------------|
| 77778 | FiltoClear 19000 |
| 77779 | FiltoClear 31000 |
| 77790 | GB FiltoClear 19000 |
| 77791 | GB FiltoClear 31000 |





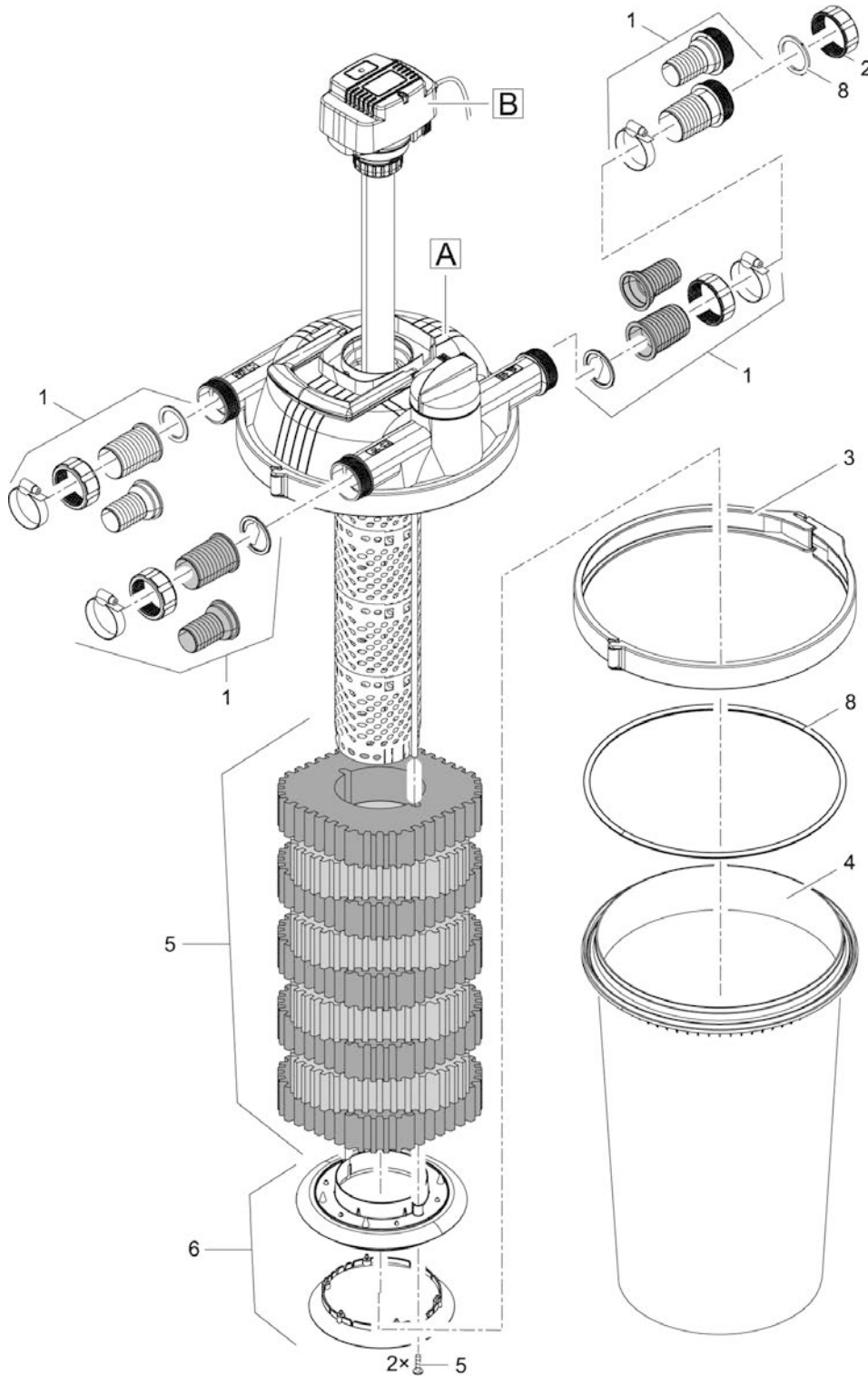


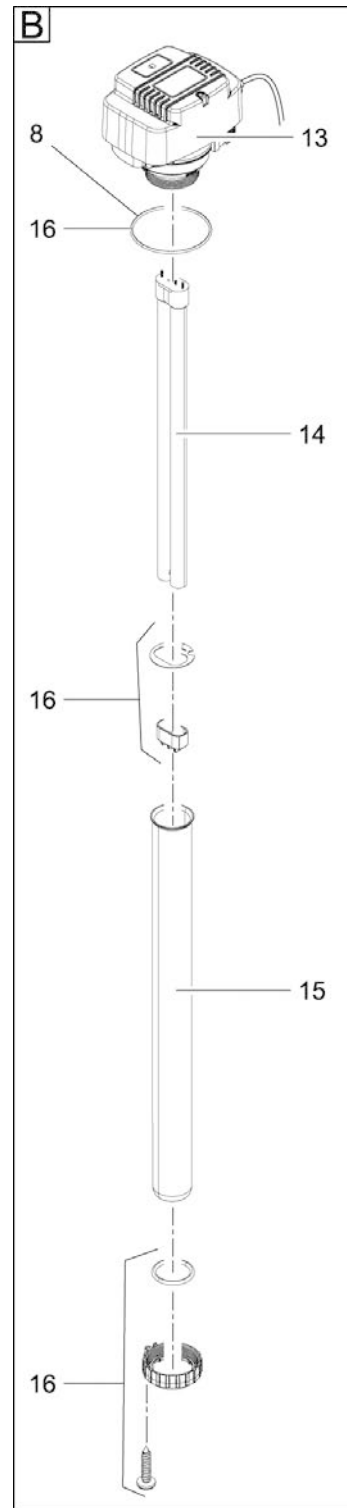
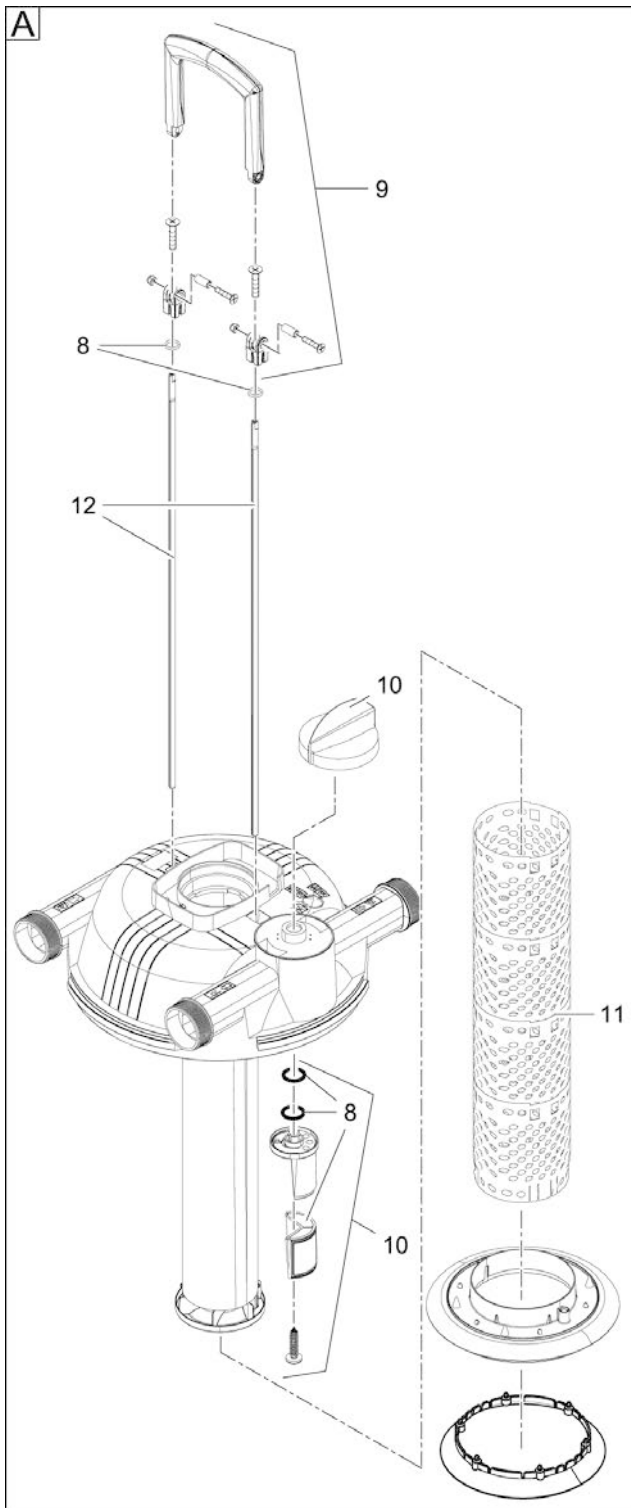


| Pos. | Item no. Product | Product | Item no. Spare part | Spare part | Number |
|------|---------------------|------------------------|------------------------|--|--------|
| 1 | 77778 | FiltoClear 19000 [INT] | 83894 | Additional pack FiltoClear 5000-31000 | 1 |
| | 77779 | FiltoClear 31000 [INT] | | | |
| | 77790 | FiltoClear 19000 [GB] | | | |
| | 77791 | FiltoClear 31000 [GB] | | | |
| 2 | 77778 | FiltoClear 19000 [INT] | 77754 | Clamping ring FiltoClear 3000-31000 | 1 |
| | 77779 | FiltoClear 31000 [INT] | | | |
| | 77790 | FiltoClear 19000 [GB] | | | |
| | 77791 | FiltoClear 31000 [GB] | | | |
| 3 | 77778 | FiltoClear 19000 [INT] | 77773 | O-Ring EPDM-S 330 x 8 SH35 blue | 1 |
| | 77779 | FiltoClear 31000 [INT] | | | |
| | 77790 | FiltoClear 19000 [GB] | | | |
| 4 | 77778 | FiltoClear 19000 [INT] | 89003 | Filter box FiltoClear 11000/16000/19000 | 1 |
| | 77779 | FiltoClear 31000 [INT] | 89004 | Filter box FiltoClear 20000/30000/31000 | 1 |
| | 77790 | FiltoClear 19000 [GB] | 89003 | Filter box FiltoClear 11000/16000/19000 | 1 |
| | 77791 | FiltoClear 31000 [GB] | 89004 | Filter box FiltoClear 20000/30000/31000 | 1 |
| 5 | 77778 | FiltoClear 19000 [INT] | 21654 | Spare mesh tube FiltoClear 16000/19000 | 1 |
| | 77779 | FiltoClear 31000 [INT] | 21655 | Spare mesh tube FiltoClear 20/30/31000 | 1 |
| | 77790 | FiltoClear 19000 [GB] | 21654 | Spare mesh tube FiltoClear 16000/19000 | 1 |
| | 77791 | FiltoClear 31000 [GB] | 21655 | Spare mesh tube FiltoClear 20/30/31000 | 1 |
| 6 | 77778 | FiltoClear 19000 [INT] | 77733 | Holder foam distance plate FC 5000-31000 | 1 |
| | 77779 | FiltoClear 31000 [INT] | | | |
| | 77790 | FiltoClear 19000 [GB] | | | |
| | 77791 | FiltoClear 31000 [GB] | | | |
| 7 | 77778 | FiltoClear 19000 [INT] | 77732 | Foam dist.plate FiltoClear 5000-31000 | 1 |
| | 77779 | FiltoClear 31000 [INT] | | | |
| | 77790 | FiltoClear 19000 [GB] | | | |
| | 77791 | FiltoClear 31000 [GB] | | | |
| 8 | 77778 | FiltoClear 19000 [INT] | 77874 | Replacement foam set FiltoClear 19000 | 1 |
| | 77779 | FiltoClear 31000 [INT] | 77875 | Replacement foam set FiltoClear 31000 | 1 |
| | 77790 | FiltoClear 19000 [GB] | 77874 | Replacement foam set FiltoClear 19000 | 1 |
| | 77791 | FiltoClear 31000 [GB] | 77875 | Replacement foam set FiltoClear 31000 | 1 |
| 9 | 77778 | FiltoClear 19000 [INT] | 77734 | Foam plate FiltoClear 5000-31000 | 1 |
| | 77779 | FiltoClear 31000 [INT] | | | |
| | 77790 | FiltoClear 19000 [GB] | | | |
| | 77791 | FiltoClear 31000 [GB] | | | |
| 10 | 77778 | FiltoClear 19000 [INT] | 77735 | Lip seal FiltoClear 5000-31000 | 1 |
| | 77779 | FiltoClear 31000 [INT] | | | |
| | 77790 | FiltoClear 19000 [GB] | | | |
| | 77791 | FiltoClear 31000 [GB] | | | |
| 11 | 77778 | FiltoClear 19000 [INT] | 83890 | ASM handle unit FiltoClear 19000 | 1 |
| | 77779 | FiltoClear 31000 [INT] | 83891 | ASM handle unit FiltoClear 31000 | 1 |
| | 77790 | FiltoClear 19000 [GB] | 83890 | ASM handle unit FiltoClear 19000 | 1 |
| | 77791 | FiltoClear 31000 [GB] | 83891 | ASM handle unit FiltoClear 31000 | 1 |
| 12 | 77778 | FiltoClear 19000 [INT] | 74371 | Spare lamp head UVC FiltoClear 42 W | 1 |
| | 77779 | FiltoClear 31000 [INT] | 74372 | Spare lamp head UVC FiltoClear 60 W | 1 |
| | 77790 | FiltoClear 19000 [GB] | 74371 | Spare lamp head UVC FiltoClear 42 W | 1 |
| | 77791 | FiltoClear 31000 [GB] | 74372 | Spare lamp head UVC FiltoClear 60 W | 1 |

| Pos. | Item no. Product | Product | Item no. Spare part | Spare part | Number |
|------|---------------------|------------------------|------------------------|---|--------|
| 13 | 77778 | FiltoClear 19000 [INT] | 77871 | Replacement bulb UVC Eco 42 W | 1 |
| | 77779 | FiltoClear 31000 [INT] | 57077 | Replacement bulb UVC Eco 60 W | 1 |
| | 77790 | FiltoClear 19000 [GB] | 77871 | Replacement bulb UVC Eco 42 W | 1 |
| | 77791 | FiltoClear 31000 [GB] | 57077 | Replacement bulb UVC Eco 60 W | 1 |
| 14 | 77778 | FiltoClear 19000 [INT] | 74380 | Spare clamp screw UVC FC 18/24/42/60 W | 1 |
| | 77779 | FiltoClear 31000 [INT] | | | |
| | 77790 | FiltoClear 19000 [GB] | | | |
| | 77791 | FiltoClear 31000 [GB] | | | |
| 15 | 77778 | FiltoClear 19000 [INT] | 90685 | Spare cleaning impeller FC 5200/19000 | 1 |
| | 77779 | FiltoClear 31000 [INT] | 90684 | Spare cleaning impeller FC 8200/31000 | 1 |
| | 77790 | FiltoClear 19000 [GB] | 90685 | Spare cleaning impeller FC 5200/19000 | 1 |
| | 77791 | FiltoClear 31000 [GB] | 90684 | Spare cleaning impeller FC 8200/31000 | 1 |
| 16 | 77778 | FiltoClear 19000 [INT] | 74378 | Quartz glass D44 x 429 with rim | 1 |
| | 77779 | FiltoClear 31000 [INT] | 74379 | Quartz glass D44 x 550 with rim | 1 |
| | 77790 | FiltoClear 19000 [GB] | 74378 | Quartz glass D44 x 429 with rim | 1 |
| | 77791 | FiltoClear 31000 [GB] | 74379 | Quartz glass D44 x 550 with rim | 1 |
| 17 | 77778 | FiltoClear 19000 [INT] | 73486 | O-Ring Viton 42 x 5 SH50 greased | 1 |
| | 77779 | FiltoClear 31000 [INT] | | | |
| | 77790 | FiltoClear 19000 [GB] | | | |
| | 77791 | FiltoClear 31000 [GB] | | | |
| 18 | 77778 | FiltoClear 19000 [INT] | 74381 | Spare lid FC 5000/13000/19000/31000 | 1 |
| | 77779 | FiltoClear 31000 [INT] | | | |
| | 77790 | FiltoClear 19000 [GB] | | | |
| | 77791 | FiltoClear 31000 [GB] | | | |
| 19 | 77778 | FiltoClear 19000 [INT] | 86941 | Tube adapter FiltoClear 2022 | 1 |
| | 77779 | FiltoClear 31000 [INT] | | | |
| | 77790 | FiltoClear 19000 [GB] | | | |
| | 77791 | FiltoClear 31000 [GB] | | | |
| 20 | 77778 | FiltoClear 19000 [INT] | 77750 | End cap tube bottom FiltoClear 19/31000 | 1 |
| | 77779 | FiltoClear 31000 [INT] | | | |
| | 77790 | FiltoClear 19000 [GB] | | | |
| | 77791 | FiltoClear 31000 [GB] | | | |
| 21 | 77778 | FiltoClear 19000 [INT] | 74368 | Handle/flap FC 5000/13000/19000/31000 | 1 |
| | 77779 | FiltoClear 31000 [INT] | | | |
| | 77790 | FiltoClear 19000 [GB] | | | |
| | 77791 | FiltoClear 31000 [GB] | | | |

| Item no. | Product |
|----------|---------------------|
| 50576 | FiltoClear 20000 |
| 50577 | FiltoClear 30000 |
| 51244 | FiltoClear 12000 |
| 51247 | FiltoClear 16000 |
| 50580 | GB FiltoClear 20000 |
| 50581 | GB FiltoClear 30000 |
| 51245 | GB FiltoClear 12000 |
| 51248 | GB FiltoClear 16000 |



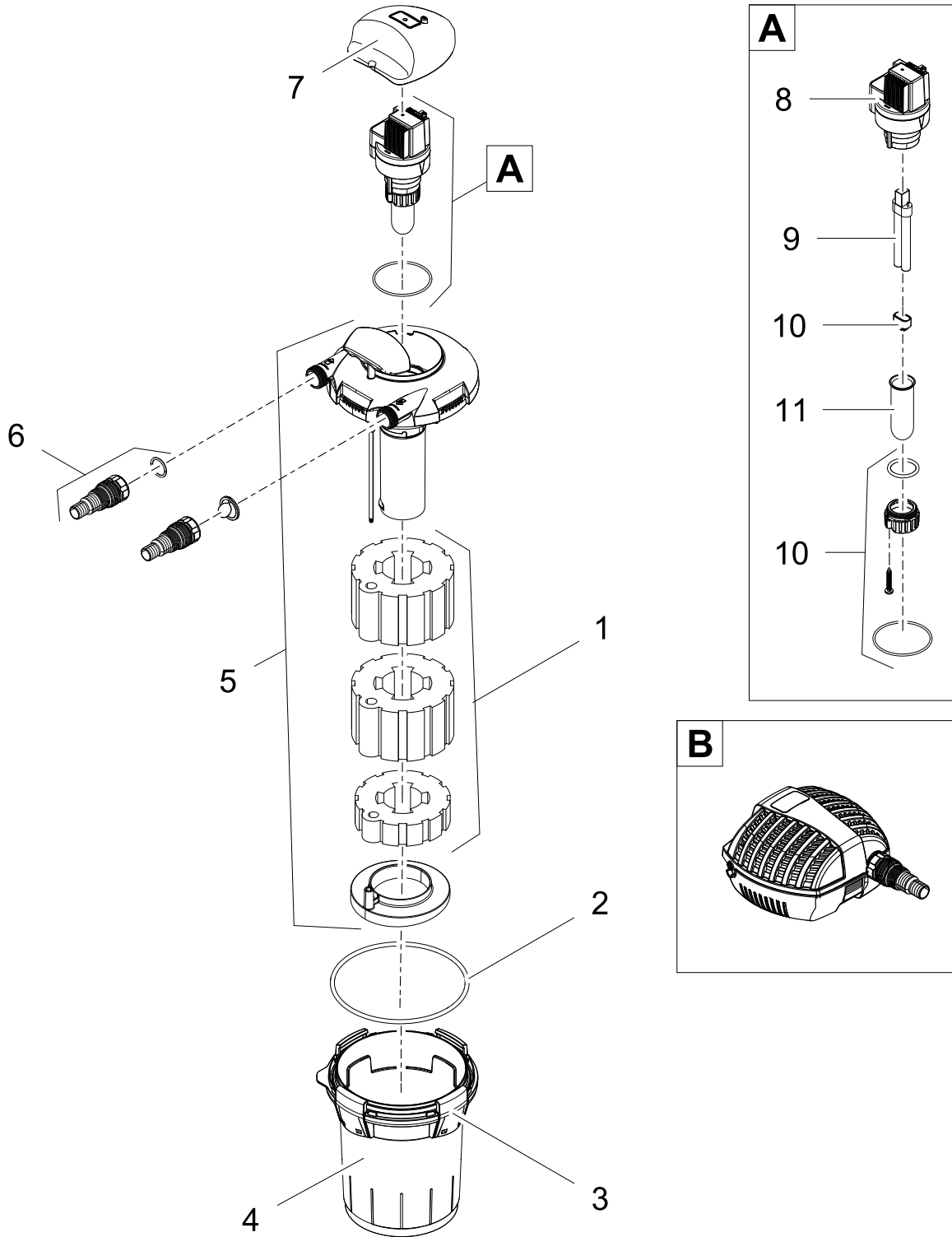


| Pos. | Item no. Product | Product | Item no. Spare part | Spare part | Number | | | |
|------|---------------------|------------------------|------------------------|---|--------|-------|---|---|
| 1 | 50576 | FiltoClear 20000 [INT] | 15830 | Additional pack pressure filter | 1 | | | |
| | 50577 | FiltoClear 30000 [INT] | | | | | | |
| | 50580 | FiltoClear 20000 [GB] | | | | | | |
| | 50581 | FiltoClear 30000 [GB] | | | | | | |
| | 51244 | FiltoClear 12000 [INT] | | | | | | |
| | 51245 | FiltoClear 12000 [GB] | | | | | | |
| | 51247 | FiltoClear 16000 [INT] | | | | | | |
| | 51248 | FiltoClear 16000 [GB] | | | | | | |
| 2 | 50576 | FiltoClear 20000 [INT] | 25993 | Screw cap 2" | 1 | | | |
| | 50577 | FiltoClear 30000 [INT] | | | | | | |
| | 50580 | FiltoClear 20000 [GB] | | | | | | |
| | 50581 | FiltoClear 30000 [GB] | | | | | | |
| | 51244 | FiltoClear 12000 [INT] | | | | | | |
| | 51245 | FiltoClear 12000 [GB] | | | | | | |
| | 51247 | FiltoClear 16000 [INT] | | | | | | |
| | 51248 | FiltoClear 16000 [GB] | | | | | | |
| 3 | 50576 | FiltoClear 20000 [INT] | 34578 | ASM clamp pressure filter | 1 | | | |
| | 50577 | FiltoClear 30000 [INT] | | | | | | |
| | 50580 | FiltoClear 20000 [GB] | | | | | | |
| | 50581 | FiltoClear 30000 [GB] | | | | | | |
| | 51244 | FiltoClear 12000 [INT] | | | | | | |
| | 51245 | FiltoClear 12000 [GB] | | | | | | |
| | 51247 | FiltoClear 16000 [INT] | | | | | | |
| | 51248 | FiltoClear 16000 [GB] | | | | | | |
| 4 | 50576 | FiltoClear 20000 [INT] | 89004 | Filter box FiltoClear 20000/30000/31000 | 1 | | | |
| | 50577 | FiltoClear 30000 [INT] | | | | | | |
| | 50580 | FiltoClear 20000 [GB] | | | | | | |
| | 50581 | FiltoClear 30000 [GB] | | | | | | |
| | 51244 | FiltoClear 12000 [INT] | 89002 | Filter box FiltoClear 6000/12000/13000 | 1 | | | |
| | 51245 | FiltoClear 12000 [GB] | | | | | | |
| | 51247 | FiltoClear 16000 [INT] | | | | 89003 | Filter box FiltoClear 11000/16000/19000 | 1 |
| | 51248 | FiltoClear 16000 [GB] | | | | | | |
| 5 | 50576 | FiltoClear 20000 [INT] | 51290 | Repl. foam set FiltoClear 20000 / 30000 | 1 | | | |
| | 50577 | FiltoClear 30000 [INT] | | | | | | |
| | 50580 | FiltoClear 20000 [GB] | | | | | | |
| | 50581 | FiltoClear 30000 [GB] | | | | | | |
| | 51244 | FiltoClear 12000 [INT] | 51255 | Replacement foam set FiltoClear 12000 | 1 | | | |
| | 51245 | FiltoClear 12000 [GB] | | | | | | |
| | 51247 | FiltoClear 16000 [INT] | | | | 51258 | Replacement foam set FiltoClear 16000 | 1 |
| | 51248 | FiltoClear 16000 [GB] | | | | | | |
| 6 | 50576 | FiltoClear 20000 [INT] | 92656 | Spare foam plate FiltoClear 12000-30000 | 1 | | | |
| | 50577 | FiltoClear 30000 [INT] | | | | | | |
| | 50580 | FiltoClear 20000 [GB] | | | | | | |
| | 50581 | FiltoClear 30000 [GB] | | | | | | |
| | 51244 | FiltoClear 12000 [INT] | | | | | | |
| | 51245 | FiltoClear 12000 [GB] | | | | | | |
| | 51247 | FiltoClear 16000 [INT] | | | | | | |
| | 51248 | FiltoClear 16000 [GB] | | | | | | |

| Pos. | Item no. Product | Product | Item no. Spare part | Spare part | Number |
|------|---------------------|------------------------|------------------------|--|--------|
| 8 | 50576 | FiltoClear 20000 [INT] | | | |
| | 50577 | FiltoClear 30000 [INT] | | | |
| | 50580 | FiltoClear 20000 [GB] | | | |
| | 50581 | FiltoClear 30000 [GB] | | | |
| | 51244 | FiltoClear 12000 [INT] | 16033 | Gasket set FiltoClear 12000 - 30000 | 1 |
| | 51245 | FiltoClear 12000 [GB] | | | |
| | 51247 | FiltoClear 16000 [INT] | | | |
| | 51248 | FiltoClear 16000 [GB] | | | |
| 9 | 50576 | FiltoClear 20000 [INT] | | | |
| | 50577 | FiltoClear 30000 [INT] | | | |
| | 50580 | FiltoClear 20000 [GB] | | | |
| | 50581 | FiltoClear 30000 [GB] | | | |
| | 51244 | FiltoClear 12000 [INT] | 16029 | Spare part handle FiltoClear 12000-30000 | 1 |
| | 51245 | FiltoClear 12000 [GB] | | | |
| | 51247 | FiltoClear 16000 [INT] | | | |
| | 51248 | FiltoClear 16000 [GB] | | | |
| 10 | 50576 | FiltoClear 20000 [INT] | | | |
| | 50577 | FiltoClear 30000 [INT] | | | |
| | 50580 | FiltoClear 20000 [GB] | | | |
| | 50581 | FiltoClear 30000 [GB] | | | |
| | 51244 | FiltoClear 12000 [INT] | 16064 | Spare part twist grip FiltoClear12-30000 | 1 |
| | 51245 | FiltoClear 12000 [GB] | | | |
| | 51247 | FiltoClear 16000 [INT] | | | |
| | 51248 | FiltoClear 16000 [GB] | | | |
| 11 | 50576 | FiltoClear 20000 [INT] | | | |
| | 50577 | FiltoClear 30000 [INT] | | | |
| | 50580 | FiltoClear 20000 [GB] | 21655 | Spare mesh tube FiltoClear 20/30/31000 | 1 |
| | 50581 | FiltoClear 30000 [GB] | | | |
| | 51244 | FiltoClear 12000 [INT] | 21653 | Spare mesh tube FiltoClear 12000/13000 | 1 |
| | 51245 | FiltoClear 12000 [GB] | | | |
| | 51247 | FiltoClear 16000 [INT] | | | |
| | 51248 | FiltoClear 16000 [GB] | 21654 | Spare mesh tube FiltoClear 16000/19000 | 1 |
| 12 | 50576 | FiltoClear 20000 [INT] | | | |
| | 50577 | FiltoClear 30000 [INT] | | | |
| | 50580 | FiltoClear 20000 [GB] | 26596 | Cleaning rod FiltoClear 15000-30000 | 1 |
| | 50581 | FiltoClear 30000 [GB] | | | |
| | 51244 | FiltoClear 12000 [INT] | | | |
| | 51245 | FiltoClear 12000 [GB] | 24748 | Cleaning rod FiltoClear 6000 (USA 1600) | 1 |
| | 51247 | FiltoClear 16000 [INT] | | | |
| | 51248 | FiltoClear 16000 [GB] | 24747 | Cleaning rod FiltoClear 11000 (USA 3000) | 1 |
| 13 | 50576 | FiltoClear 20000 [INT] | 15536 | ASM lamp head FiltoClear UVC 36 | 1 |
| | 50577 | FiltoClear 30000 [INT] | 15533 | ASM lamp head FiltoClear UVC 55 | 1 |
| | 50580 | FiltoClear 20000 [GB] | 15536 | ASM lamp head FiltoClear UVC 36 | 1 |
| | 50581 | FiltoClear 30000 [GB] | 15533 | ASM lamp head FiltoClear UVC 55 | 1 |
| | 51244 | FiltoClear 12000 [INT] | | | |
| | 51245 | FiltoClear 12000 [GB] | 21303 | ASM lamp head FiltoClear UVC 18 | 1 |
| | 51247 | FiltoClear 16000 [INT] | | | |
| | 51248 | FiltoClear 16000 [GB] | 21308 | ASM lamp head FiltoClear UVC 24 | 1 |

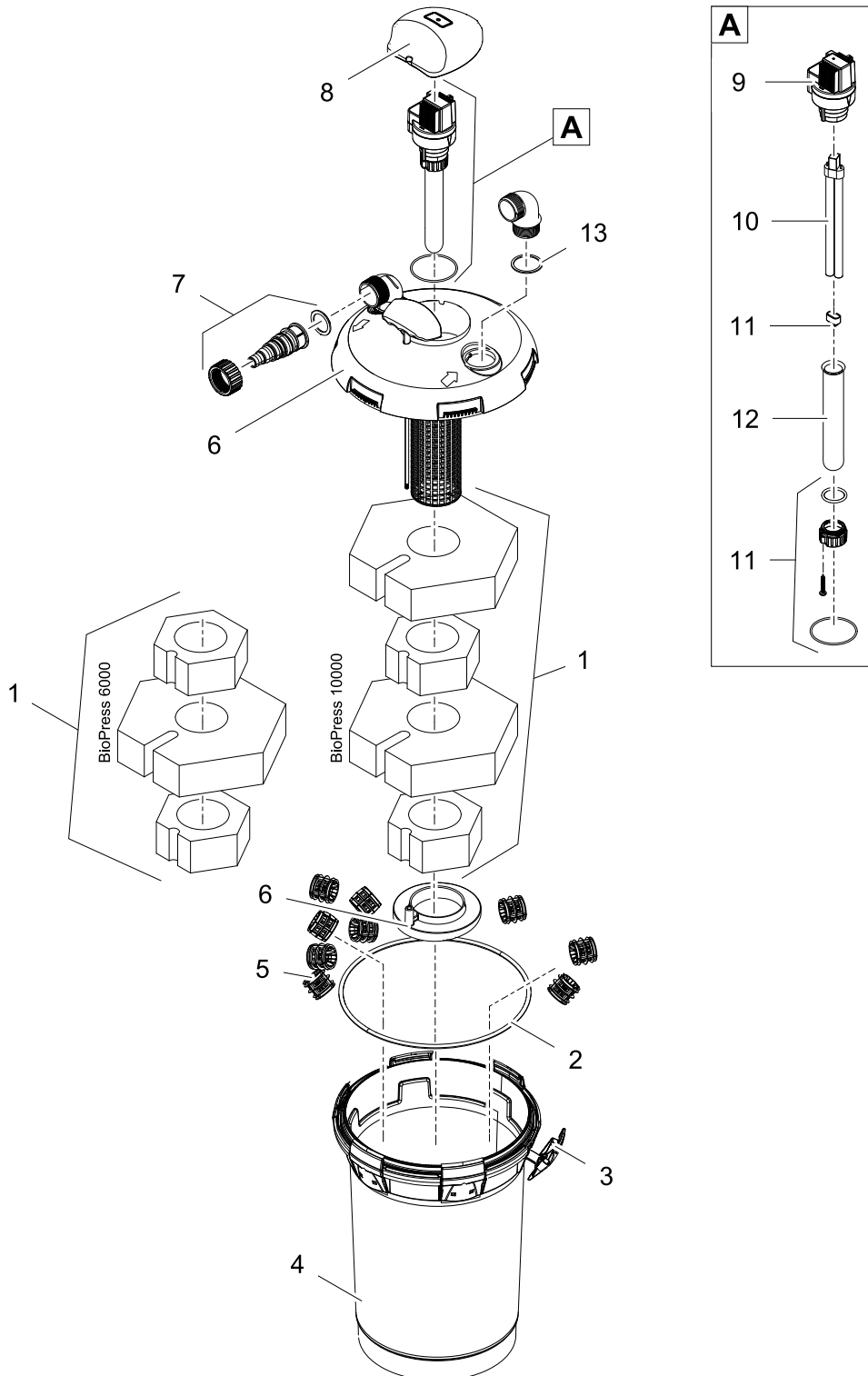
| Pos. | Item no. Product | Product | Item no. Spare part | Spare part | Number |
|------|---------------------|------------------------|------------------------|--|--------|
| 14 | 50576 | FiltoClear 20000 [INT] | 55432 | Replacement bulb UVC 36 W | 1 |
| | 50577 | FiltoClear 30000 [INT] | 56636 | Replacement bulb UVC 55 W | 1 |
| | 50580 | FiltoClear 20000 [GB] | 55432 | Replacement bulb UVC 36 W | 1 |
| | 50581 | FiltoClear 30000 [GB] | 56636 | Replacement bulb UVC 55 W | 1 |
| | 51244 | FiltoClear 12000 [INT] | 56236 | Replacement bulb UVC 18 W | 1 |
| | 51245 | FiltoClear 12000 [GB] | | | |
| | 51247 | FiltoClear 16000 [INT] | 56237 | Replacement bulb UVC 24 W | 1 |
| | 51248 | FiltoClear 16000 [GB] | | | |
| 15 | 50576 | FiltoClear 20000 [INT] | 13331 | Quartz glass D44 x 518 with rim | 1 |
| | 50577 | FiltoClear 30000 [INT] | | | |
| | 50580 | FiltoClear 20000 [GB] | | | |
| | 50581 | FiltoClear 30000 [GB] | | | |
| | 51244 | FiltoClear 12000 [INT] | 13332 | Quartz glass D44 x 298 with rim | 1 |
| | 51245 | FiltoClear 12000 [GB] | | | |
| | 51247 | FiltoClear 16000 [INT] | 21763 | Quartz glass D44 x 398 with rim | 1 |
| | 51248 | FiltoClear 16000 [GB] | | | |
| 16 | 50576 | FiltoClear 20000 [INT] | 16031 | Spare part clamp bolt setFiltoClear12-30 | 1 |
| | 50577 | FiltoClear 30000 [INT] | | | |
| | 50580 | FiltoClear 20000 [GB] | | | |
| | 50581 | FiltoClear 30000 [GB] | | | |
| | 51244 | FiltoClear 12000 [INT] | | | |
| | 51245 | FiltoClear 12000 [GB] | | | |
| | 51247 | FiltoClear 16000 [INT] | | | |
| | 51248 | FiltoClear 16000 [GB] | | | |
| 17 | 50580 | FiltoClear 20000 [GB] | 34056 | Stepped hose tail 2" | 1 |
| | 50581 | FiltoClear 30000 [GB] | | | |
| | 51245 | FiltoClear 12000 [GB] | | | |
| | 51248 | FiltoClear 16000 [GB] | | | |
| A | 50576 | FiltoClear 20000 [INT] | 21650 | Spare part lid FiltoClear 20000 / 30000 | 1 |
| | 50577 | FiltoClear 30000 [INT] | | | |
| | 50580 | FiltoClear 20000 [GB] | | | |
| | 50581 | FiltoClear 30000 [GB] | | | |
| | 51244 | FiltoClear 12000 [INT] | 21377 | Spare part lid FiltoClear 12000 | 1 |
| | 51245 | FiltoClear 12000 [GB] | | | |
| | 51247 | FiltoClear 16000 [INT] | | | |
| | 51248 | FiltoClear 16000 [GB] | | | |
| B | 50576 | FiltoClear 20000 [INT] | 15999 | ASM UVC FiltoClear 20000 cpl. | 1 |
| | 50577 | FiltoClear 30000 [INT] | 16000 | ASM UVC FiltoClear 30000 cpl. | 1 |
| | 50580 | FiltoClear 20000 [GB] | 15999 | ASM UVC FiltoClear 20000 cpl. | 1 |
| | 50581 | FiltoClear 30000 [GB] | 16000 | ASM UVC FiltoClear 30000 cpl. | 1 |
| | 51247 | FiltoClear 16000 [INT] | 21299 | ASM UVC FiltoClear 16000 cpl. | 1 |
| | 51248 | FiltoClear 16000 [GB] | | | |

| Item no. | Product |
|----------|------------------|
| 47601 | GB BioPress 4000 |



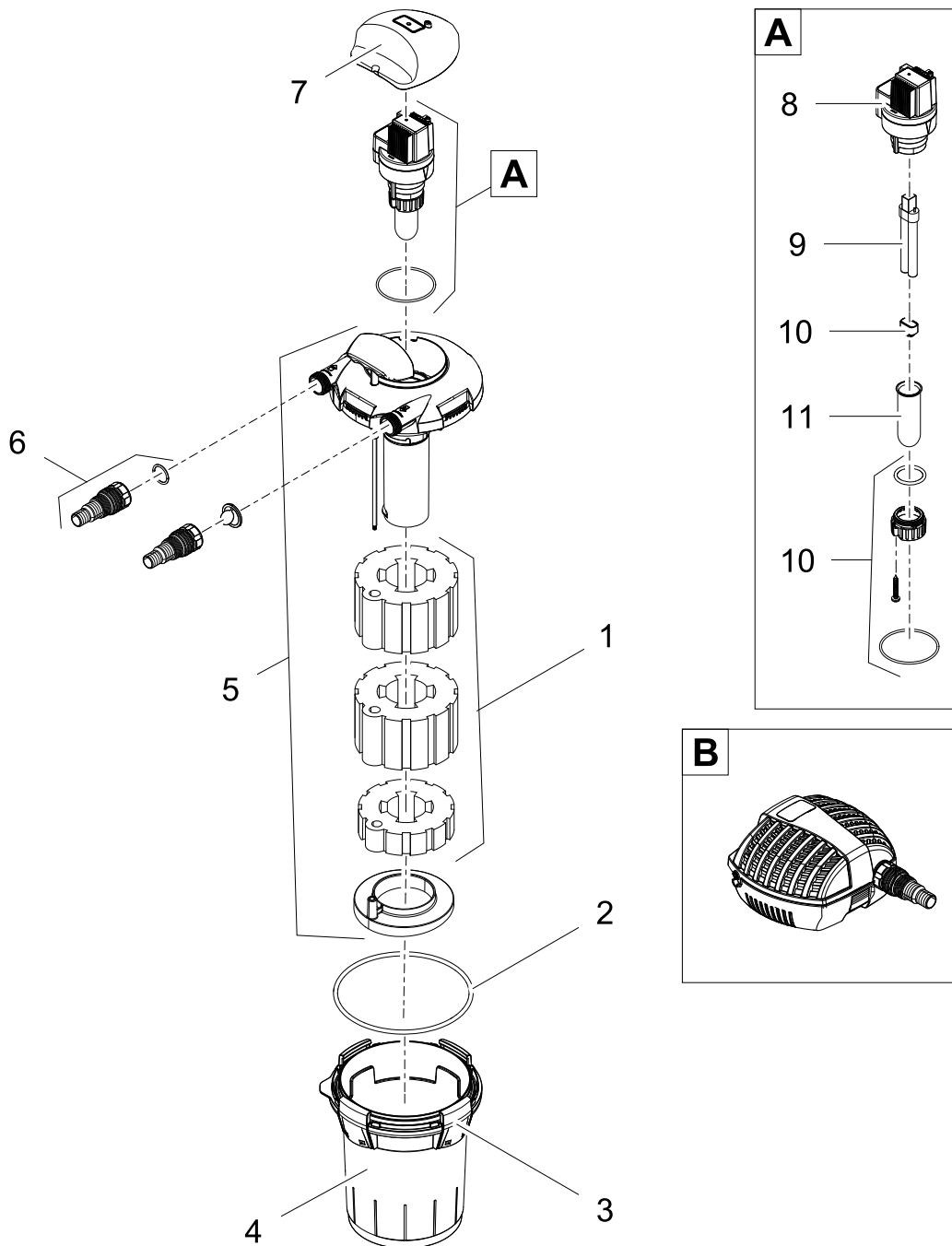
| Pos. | Item no. Product | Product | Item no. Spare part | Spare part | Number |
|------|---------------------|--------------------|------------------------|--|--------|
| 1 | 47601 | BioPress 4000 [GB] | 14555 | Filter box DF 4000 / 5000 | 1 |
| 2 | 47601 | BioPress 4000 [GB] | 14825 | Additional pack BioPress Set 4000 | 1 |
| 3 | 47601 | BioPress 4000 [GB] | 15326 | ASM cover BioPress 4000-10000 | 1 |
| 4 | 47601 | BioPress 4000 [GB] | 47829 | ASM clamp BioPress 4000 2016 | 1 |
| 5 | 47601 | BioPress 4000 [GB] | 15665 | ASM UVC 7 / 9 / 11 W 2011 | 1 |
| 6 | 47601 | BioPress 4000 [GB] | 15328 | ASM UVC BioPress 4000 | 1 |
| 7 | 47601 | BioPress 4000 [GB] | 15561 | Spare part lid BioPress Set 4000 | 1 |
| 8 | 47601 | BioPress 4000 [GB] | 15535 | Spare part clip bolt set UVC 7 / 9 / 11 | 1 |
| 9 | 47601 | BioPress 4000 [GB] | 14193 | Quartz glass D33 x 100.9 with rim | 1 |
| 1 | 47601 | BioPress 4000 [GB] | 57111 | Replacement bulb UVC 7 W | 1 |
| 11 | 47601 | BioPress 4000 [GB] | 15558 | Replacement foam set BioPress 4000 | 1 |
| 12 | 47601 | BioPress 4000 [GB] | 13744 | Spare part set filterhousing FP1500-3500 | 1 |
| 13 | 47601 | BioPress 4000 [GB] | 14543 | O-Ring NBR 185 x 6 SH45 A | 1 |

| Item no. | Product |
|----------|-------------------|
| 47602 | GB BioPress 6000 |
| 47603 | GB BioPress 10000 |



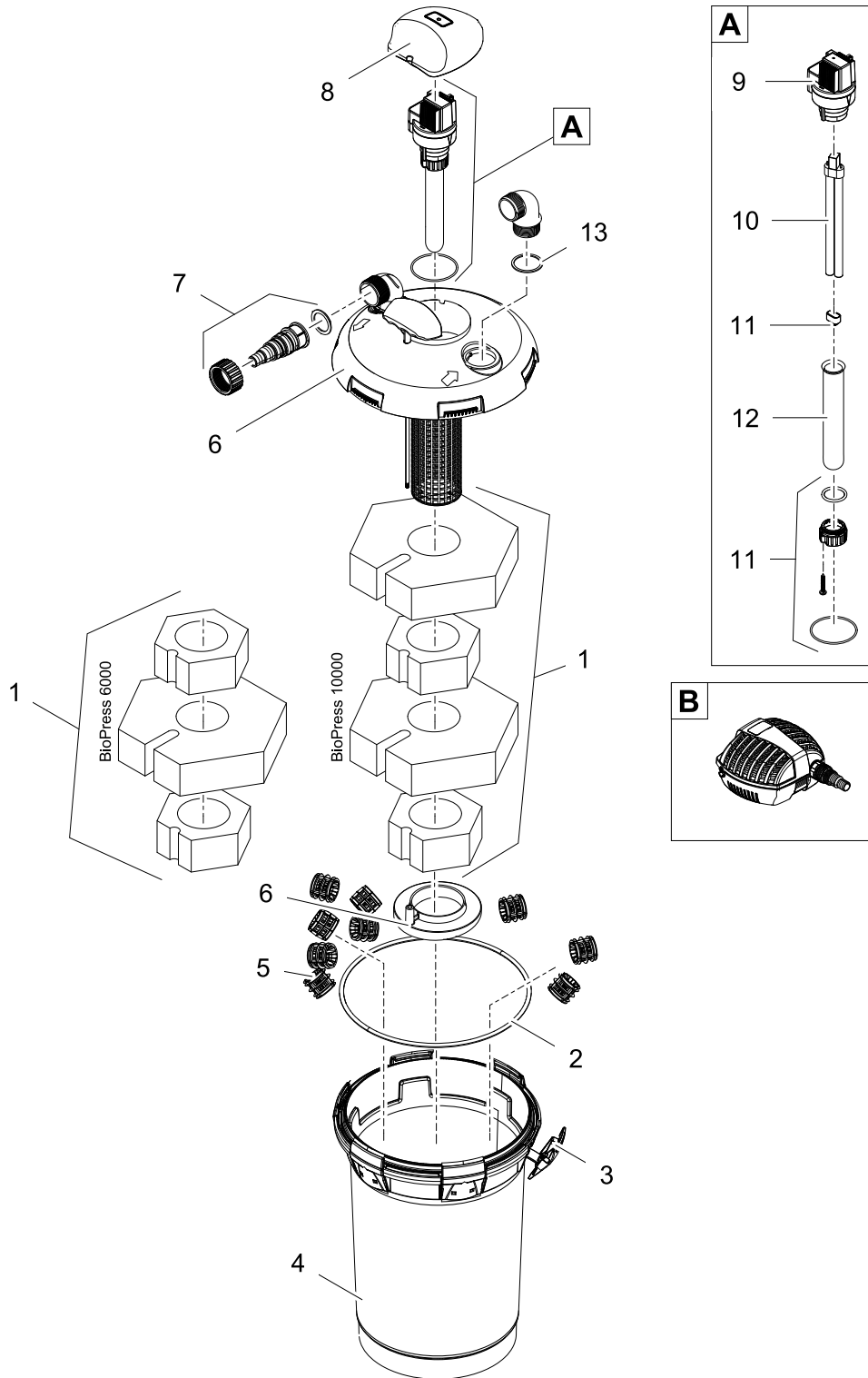
| Pos. | Item no. Product | Product | Item no. Spare part | Spare part | Number |
|------|---------------------|---------------------|------------------------|--|--------|
| 1 | 47602 | BioPress 6000 [GB] | 15564 | Replacement foam set BioPress 6000/10000 | 1 |
| | 47603 | BioPress 10000 [GB] | | | |
| 2 | 47602 | BioPress 6000 [GB] | 28812 | O-Ring NBR 304 x 7 SH40 | 1 |
| | 47603 | BioPress 10000 [GB] | | | |
| 3 | 47602 | BioPress 6000 [GB] | 47828 | ASM clamp BioPress 2016 | 6 |
| | 47603 | BioPress 10000 [GB] | | | |
| 4 | 47602 | BioPress 6000 [GB] | 28042 | Filter box BioPress 6000-10000 | 1 |
| | 47603 | BioPress 10000 [GB] | 28041 | Filter box BioPress 10000-15000 | 1 |
| 5 | 47602 | BioPress 6000 [GB] | 35814 | Spare part Bioballs DF | 1 |
| | 47603 | BioPress 10000 [GB] | | | |
| 6 | 47602 | BioPress 6000 [GB] | 35815 | Filter top BioPress 6000-8000 | 1 |
| | 47603 | BioPress 10000 [GB] | 35816 | Filter top BioPress 10000-12000 | 1 |
| 7 | 47602 | BioPress 6000 [GB] | 15313 | Additional pack BioPress 2011 | 1 |
| | 47603 | BioPress 10000 [GB] | | | |
| 8 | 47602 | BioPress 6000 [GB] | 15326 | ASM cover BioPress 4000-10000 | 1 |
| | 47603 | BioPress 10000 [GB] | | | |
| 9 | 47602 | BioPress 6000 [GB] | 15665 | ASM UVC 7 / 9 / 11 W 2011 | 1 |
| | 47603 | BioPress 10000 [GB] | | | |
| 10 | 47602 | BioPress 6000 [GB] | 54984 | Replacement bulb UVC 9 W | 1 |
| | 47603 | BioPress 10000 [GB] | 56112 | Replacement bulb UVC 11 W | 1 |
| 11 | 47602 | BioPress 6000 [GB] | 15535 | Spare part clip bolt set UVC 7 / 9 / 11 | 1 |
| | 47603 | BioPress 10000 [GB] | | | |
| 12 | 47602 | BioPress 6000 [GB] | 13312 | Quartz glass D33 x 200 with rim | 1 |
| | 47603 | BioPress 10000 [GB] | | | |
| 13 | 47602 | BioPress 6000 [GB] | 24813 | O-Ring NBR 46 x 2 SH70 | 1 |
| | 47603 | BioPress 10000 [GB] | | | |
| A | 47602 | BioPress 6000 [GB] | 35838 | ASM UVC 11 W cpl. | 1 |
| | 47603 | BioPress 10000 [GB] | | | |

| Item no. | Product |
|----------|----------------------|
| 50499 | BioPress Set 4000 |
| 50504 | GB BioPress Set 4000 |



| Pos. | Item no. Product | Product | Item no. Spare part | Spare part | Number |
|------|---------------------|-------------------------|------------------------|---|--------|
| 1 | 50499 | BioPress Set 4000 [INT] | 15558 | Replacement foam set BioPress 4000 | 1 |
| | 50504 | BioPress Set 4000 [GB] | | | |
| 2 | 50499 | BioPress Set 4000 [INT] | 14543 | O-Ring NBR 185 x 6 SH45 A | 1 |
| | 50504 | BioPress Set 4000 [GB] | | | |
| 3 | 50499 | BioPress Set 4000 [INT] | 47829 | ASM clamp BioPress 4000 2016 | 1 |
| | 50504 | BioPress Set 4000 [GB] | | | |
| 4 | 50499 | BioPress Set 4000 [INT] | 14555 | Filter box DF 4000 / 5000 | 1 |
| | 50504 | BioPress Set 4000 [GB] | | | |
| 5 | 50499 | BioPress Set 4000 [INT] | 15561 | Spare part lid BioPress Set 4000 | 1 |
| | 50504 | BioPress Set 4000 [GB] | | | |
| 6 | 50499 | BioPress Set 4000 [INT] | 14825 | Additional pack BioPress Set 4000 | 1 |
| | 50504 | BioPress Set 4000 [GB] | | | |
| 7 | 50499 | BioPress Set 4000 [INT] | 15326 | ASM cover BioPress 4000-10000 | 1 |
| | 50504 | BioPress Set 4000 [GB] | | | |
| 8 | 50499 | BioPress Set 4000 [INT] | 15665 | ASM UVC 7 / 9 / 11 W 2011 | 1 |
| | 50504 | BioPress Set 4000 [GB] | | | |
| 9 | 50499 | BioPress Set 4000 [INT] | 57111 | Replacement bulb UVC 7 W | 1 |
| | 50504 | BioPress Set 4000 [GB] | | | |
| 10 | 50499 | BioPress Set 4000 [INT] | 15535 | Spare part clip bolt set UVC 7 / 9 / 11 | 1 |
| | 50504 | BioPress Set 4000 [GB] | | | |
| 11 | 50499 | BioPress Set 4000 [INT] | 14193 | Quartz glass D33 x 100.9 with rim | 1 |
| | 50504 | BioPress Set 4000 [GB] | | | |
| A | 50499 | BioPress Set 4000 [INT] | 15328 | ASM UVC BioPress 4000 | 1 |
| | 50504 | BioPress Set 4000 [GB] | | | |
| B | 50499 | BioPress Set 4000 [INT] | 15329 | Spare pump FP 1500 | 1 |
| | 50504 | BioPress Set 4000 [GB] | | | |

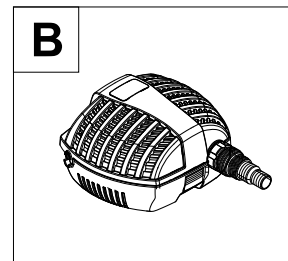
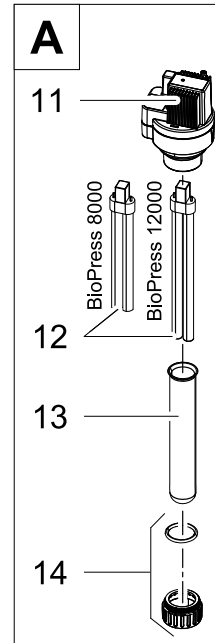
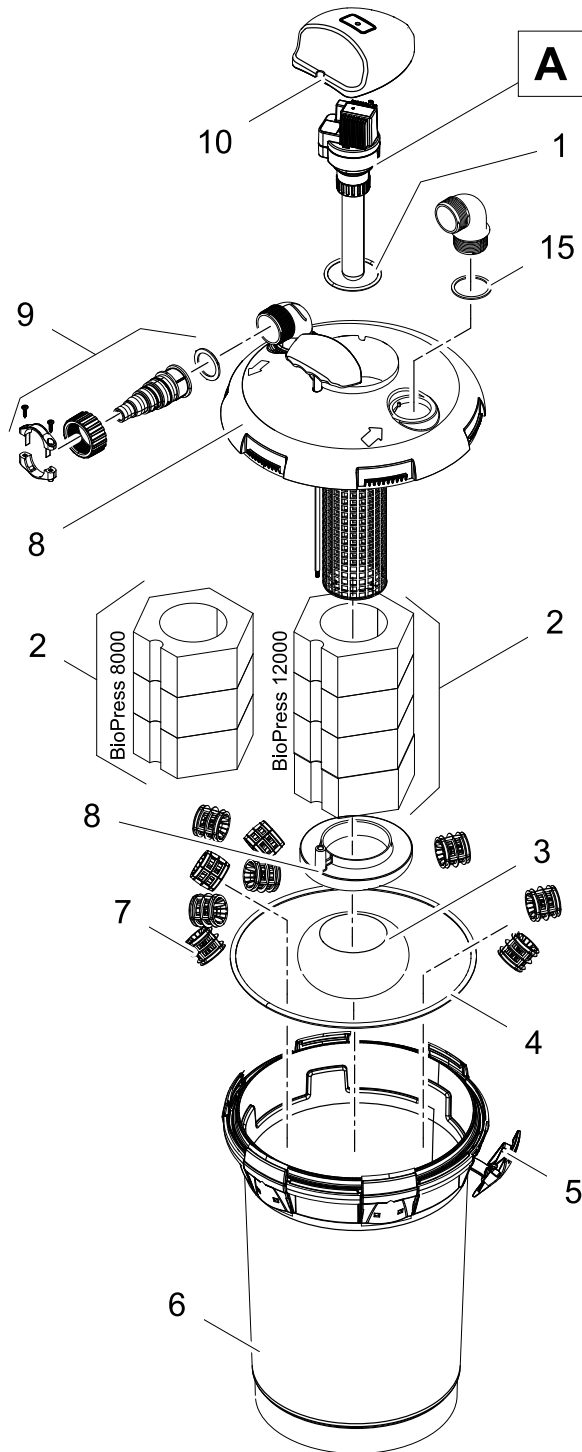
| Item no. | Product |
|----------|-----------------------|
| 50453 | BioPress Set 6000 |
| 50455 | BioPress Set 10000 |
| 50454 | GB BioPress Set 6000 |
| 50457 | GB BioPress Set 10000 |



| Pos. | Item no. Product | Product | Item no. Spare part | Spare part | Number |
|------|---------------------|--------------------------|------------------------|--|--------|
| 1 | 50453 | BioPress Set 6000 [INT] | 15564 | Replacement foam set BioPress 6000/10000 | 1 |
| | 50454 | BioPress Set 6000 [GB] | | | |
| | 50455 | BioPress Set 10000 [INT] | | | |
| | 50457 | BioPress Set 10000 [GB] | | | |
| 2 | 50453 | BioPress Set 6000 [INT] | 28812 | O-Ring NBR 304 x 7 SH40 | 1 |
| | 50454 | BioPress Set 6000 [GB] | | | |
| | 50455 | BioPress Set 10000 [INT] | | | |
| | 50457 | BioPress Set 10000 [GB] | | | |
| 3 | 50453 | BioPress Set 6000 [INT] | 47828 | ASM clamp BioPress 2016 | 6 |
| | 50454 | BioPress Set 6000 [GB] | | | |
| | 50455 | BioPress Set 10000 [INT] | | | |
| 4 | 50453 | BioPress Set 6000 [INT] | 28042 | Filter box BioPress 6000-10000 | 1 |
| | 50454 | BioPress Set 6000 [GB] | | | |
| | 50455 | BioPress Set 10000 [INT] | 28041 | Filter box BioPress 10000-15000 | 1 |
| | 50457 | BioPress Set 10000 [GB] | | | |
| 5 | 50453 | BioPress Set 6000 [INT] | 35814 | Spare part Bioballs DF | 1 |
| | 50454 | BioPress Set 6000 [GB] | | | |
| | 50455 | BioPress Set 10000 [INT] | | | |
| | 50457 | BioPress Set 10000 [GB] | | | |
| 6 | 50453 | BioPress Set 6000 [INT] | 35815 | Filter top BioPress 6000-8000 | 1 |
| | 50454 | BioPress Set 6000 [GB] | | | |
| | 50455 | BioPress Set 10000 [INT] | 35816 | Filter top BioPress 10000-12000 | 1 |
| | 50457 | BioPress Set 10000 [GB] | | | |
| 7 | 50453 | BioPress Set 6000 [INT] | 15313 | Additional pack BioPress 2011 | 1 |
| | 50454 | BioPress Set 6000 [GB] | | | |
| | 50455 | BioPress Set 10000 [INT] | | | |
| 8 | 50453 | BioPress Set 6000 [INT] | 15326 | ASM cover BioPress 4000-10000 | 1 |
| | 50454 | BioPress Set 6000 [GB] | | | |
| | 50455 | BioPress Set 10000 [INT] | | | |
| | 50457 | BioPress Set 10000 [GB] | | | |
| 9 | 50453 | BioPress Set 6000 [INT] | 15665 | ASM UVC 7 / 9 / 11 W 2011 | 1 |
| | 50454 | BioPress Set 6000 [GB] | | | |
| | 50455 | BioPress Set 10000 [INT] | | | |
| 10 | 50453 | BioPress Set 6000 [INT] | 54984 | Replacement bulb UVC 9 W | 1 |
| | 50454 | BioPress Set 6000 [GB] | | | |
| | 50455 | BioPress Set 10000 [INT] | 56112 | Replacement bulb UVC 11 W | 1 |
| | 50457 | BioPress Set 10000 [GB] | | | |
| 11 | 50453 | BioPress Set 6000 [INT] | 15535 | Spare part clip bolt set UVC 7 / 9 / 11 | 1 |
| | 50454 | BioPress Set 6000 [GB] | | | |
| | 50455 | BioPress Set 10000 [INT] | | | |
| | 50457 | BioPress Set 10000 [GB] | | | |

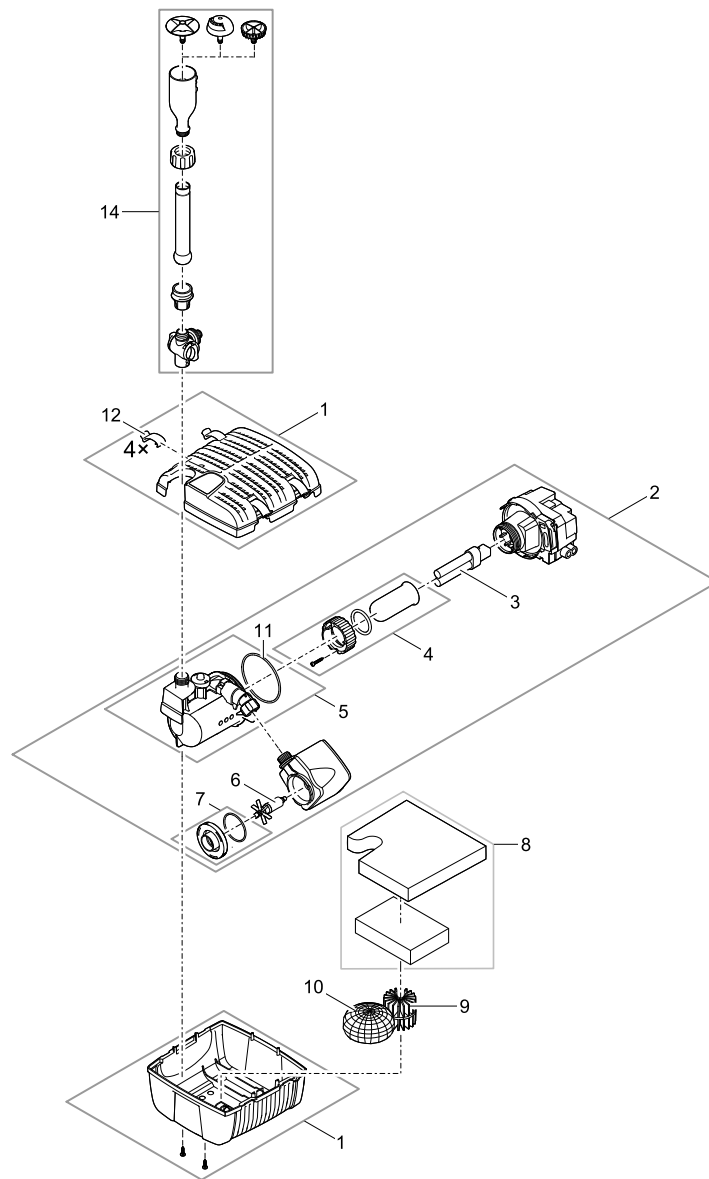
| Pos. | Item no. Product | Product | Item no. Spare part | Spare part | Number |
|------|---------------------|--------------------------|------------------------|---------------------------------|--------|
| 12 | 50453 | BioPress Set 6000 [INT] | 13312 | Quartz glass D33 x 200 with rim | 1 |
| | 50454 | BioPress Set 6000 [GB] | | | |
| | 50455 | BioPress Set 10000 [INT] | | | |
| | 50457 | BioPress Set 10000 [GB] | | | |
| 13 | 50453 | BioPress Set 6000 [INT] | 24813 | O-Ring NBR 46 x 2 SH70 | 2 |
| | 50454 | BioPress Set 6000 [GB] | | | |
| | 50455 | BioPress Set 10000 [INT] | | | |
| | 50457 | BioPress Set 10000 [GB] | | | |
| A | 50453 | BioPress Set 6000 [INT] | 13565 | asm UVC BioPress 9 W | 1 |
| | 50454 | BioPress Set 6000 [GB] | | | |
| | 50455 | BioPress Set 10000 [INT] | | | |
| | 50457 | BioPress Set 10000 [GB] | 35838 | ASM UVC 11 W cpl. | 1 |
| B | 50453 | BioPress Set 6000 [INT] | 13745 | Spare pump FP 2500 | 1 |
| | 50454 | BioPress Set 6000 [GB] | | | |
| | 50455 | BioPress Set 10000 [INT] | | | |
| | 50457 | BioPress Set 10000 [GB] | 13742 | Spare pump FP 3500 | 1 |

| Item no. | Product |
|----------|--------------------|
| 57385 | BioPress Set 8000 |
| 57386 | BioPress Set 12000 |



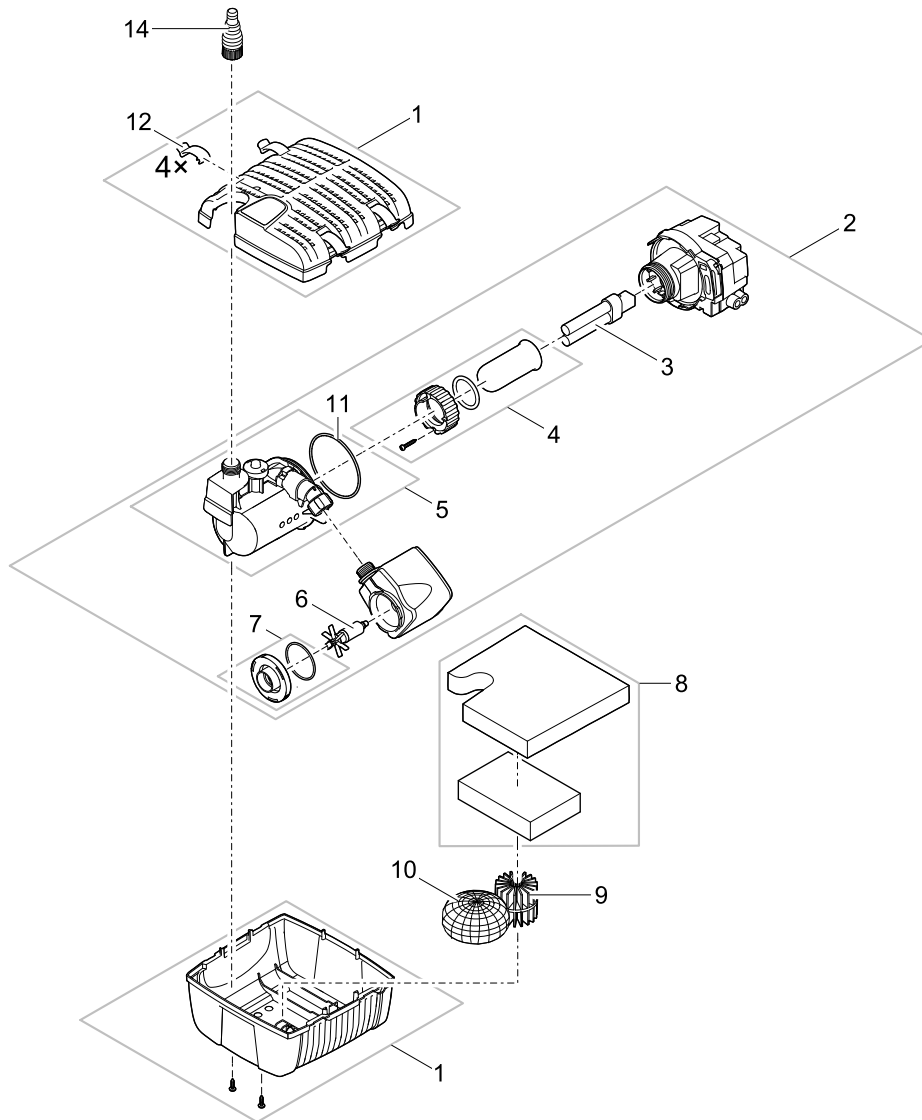
| Pos. | Item no. Product | Product | Item no. Spare part | Spare part | Number |
|------|---------------------|--------------------------|------------------------|--|--------|
| 1 | 57385 | BioPress Set 8000 [INT] | 25969 | O-Ring NBR 60 x 2.5 SH70 A | 1 |
| | 57386 | BioPress Set 12000 [INT] | | | |
| 2 | 57385 | BioPress Set 8000 [INT] | 15564 | Replacement foam set BioPress 6000/10000 | 1 |
| | 57386 | BioPress Set 12000 [INT] | | | |
| 3 | 57385 | BioPress Set 8000 [INT] | 28526 | Lava stones in bag | 1 |
| | 57386 | BioPress Set 12000 [INT] | | | |
| 4 | 57385 | BioPress Set 8000 [INT] | 28812 | O-Ring NBR 304 x 7 SH40 | 1 |
| | 57386 | BioPress Set 12000 [INT] | | | |
| 5 | 57385 | BioPress Set 8000 [INT] | 47828 | ASM clamp BioPress 2016 | 6 |
| | 57386 | BioPress Set 12000 [INT] | | | |
| 6 | 57385 | BioPress Set 8000 [INT] | 28042 | Filter box BioPress 6000-10000 | 1 |
| | 57386 | BioPress Set 12000 [INT] | 28041 | Filter box BioPress 10000-15000 | 1 |
| 7 | 57385 | BioPress Set 8000 [INT] | 35814 | Spare part Bioballs DF | 1 |
| | 57386 | BioPress Set 12000 [INT] | | | |
| 8 | 57385 | BioPress Set 8000 [INT] | 35815 | Filter top BioPress 6000-8000 | 1 |
| | 57386 | BioPress Set 12000 [INT] | 35816 | Filter top BioPress 10000-12000 | 1 |
| 9 | 57385 | BioPress Set 8000 [INT] | 15313 | Additional pack BioPress 2011 | 1 |
| | 57386 | BioPress Set 12000 [INT] | | | |
| 10 | 57385 | BioPress Set 8000 [INT] | 29463 | Cover BioPress | 1 |
| | 57386 | BioPress Set 12000 [INT] | | | |
| 11 | 57385 | BioPress Set 8000 [INT] | 15665 | ASM UVC 7 / 9 / 11 W 2011 | 1 |
| | 57386 | BioPress Set 12000 [INT] | | | |
| 12 | 57385 | BioPress Set 8000 [INT] | 56112 | Replacement bulb UVC 11 W | 1 |
| | 57386 | BioPress Set 12000 [INT] | | | |
| 13 | 57385 | BioPress Set 8000 [INT] | 13312 | Quartz glass D33 x 200 with rim | 1 |
| | 57386 | BioPress Set 12000 [INT] | | | |
| 14 | 57385 | BioPress Set 8000 [INT] | 15535 | Spare part clip bolt set UVC 7 / 9 / 11 | 1 |
| | 57386 | BioPress Set 12000 [INT] | | | |
| 15 | 57385 | BioPress Set 8000 [INT] | 24813 | O-Ring NBR 46 x 2 SH70 | 2 |
| | 57386 | BioPress Set 12000 [INT] | | | |
| A | 57385 | BioPress Set 8000 [INT] | 35838 | ASM UVC 11 W cpl. | 1 |
| | 57386 | BioPress Set 12000 [INT] | | | |
| B | 57385 | BioPress Set 8000 [INT] | 20249 | AquaMax Eco Classic 3500 E | 1 |
| | 57386 | BioPress Set 12000 [INT] | 51096 | AquaMax Eco Classic 5500 | 1 |

| Item no. | Product |
|----------|------------------|
| 70233 | Filtral UVC 1500 |



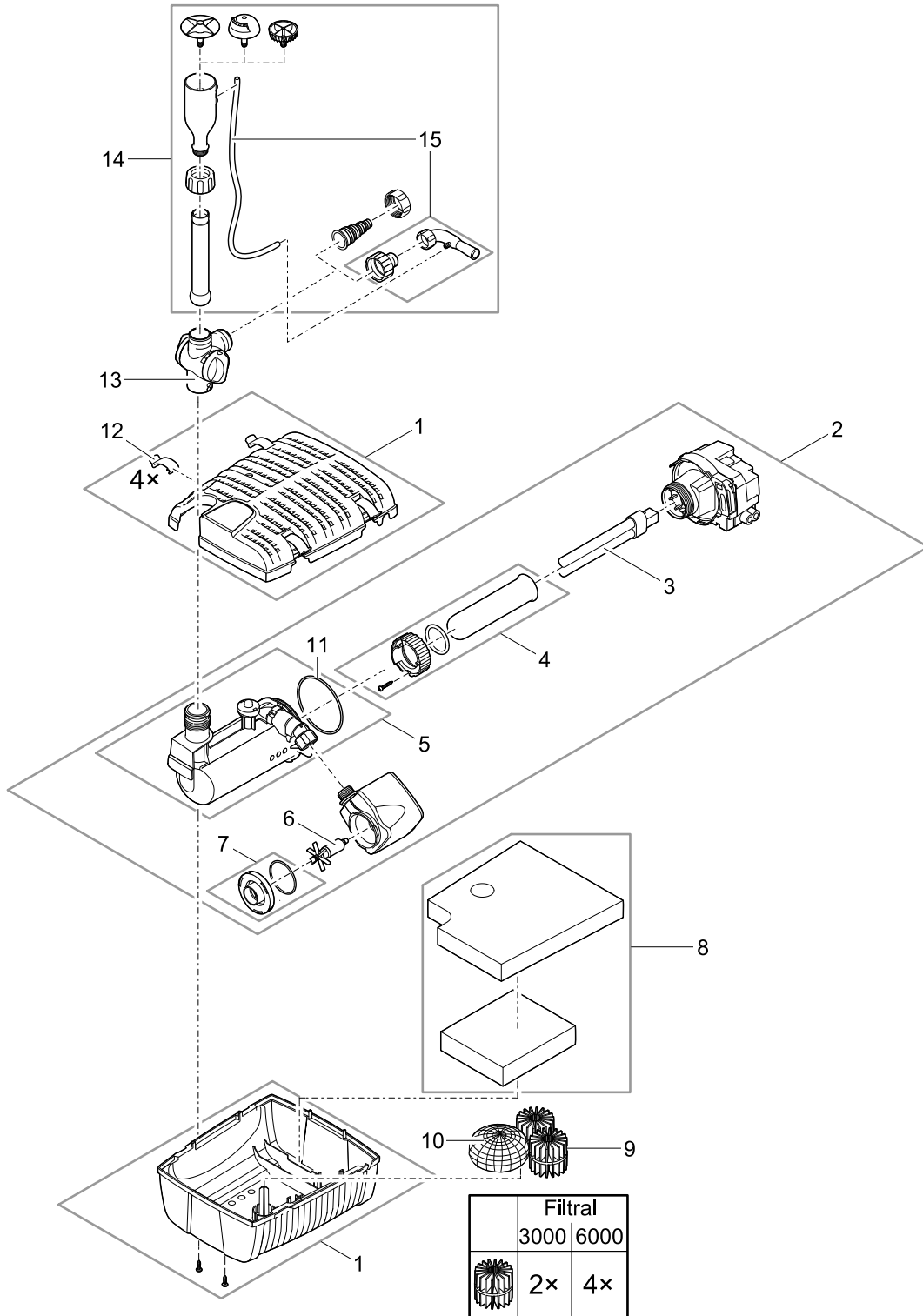
| Pos. | Item no. Product | Product | Item no. Spare part | Spare part | Number |
|------|------------------|------------------------|---------------------|---|--------|
| 1 | 70233 | Filtral UVC 1500 [INT] | 72781 | Replacement outer housing Filtral small | 1 |
| 2 | 70233 | Filtral UVC 1500 [INT] | 72784 | ASM replacement pump / UVC Filtral 1500 | 1 |
| 3 | 70233 | Filtral UVC 1500 [INT] | 57110 | Replacement bulb UVC 5 W | 1 |
| 4 | 70233 | Filtral UVC 1500 [INT] | 72792 | ASM repl. quartz glass Filtral small | 1 |
| 5 | 70233 | Filtral UVC 1500 [INT] | 72788 | ASM repl. water housing Filtral small | 1 |
| 6 | 70233 | Filtral UVC 1500 [INT] | 22647 | Spare rotor cpl. ASE 750 magnetized | 1 |
| 7 | 70233 | Filtral UVC 1500 [INT] | 35762 | ASM pump housing ASE 1000 | 1 |
| 8 | 70233 | Filtral UVC 1500 [INT] | 70240 | Replacement foam set Filtral UVC 1500 | 1 |
| 9 | 70233 | Filtral UVC 1500 [INT] | 19503 | Bio surface element | 1 |
| 10 | 70233 | Filtral UVC 1500 [INT] | 72795 | Replacement ceramic bag Filtral small | 1 |
| 11 | 70233 | Filtral UVC 1500 [INT] | 19945 | O-Ring NBR 75 x 2,5 SH70 | 1 |
| 12 | 70233 | Filtral UVC 1500 [INT] | 72798 | Replacement set clips Filtral | 1 |
| 14 | 70233 | Filtral UVC 1500 [INT] | 70830 | Additional pack Filtral small | 1 |

| Item no. | Product |
|----------|------------------|
| 70236 GB | Filtral UVC 1500 |



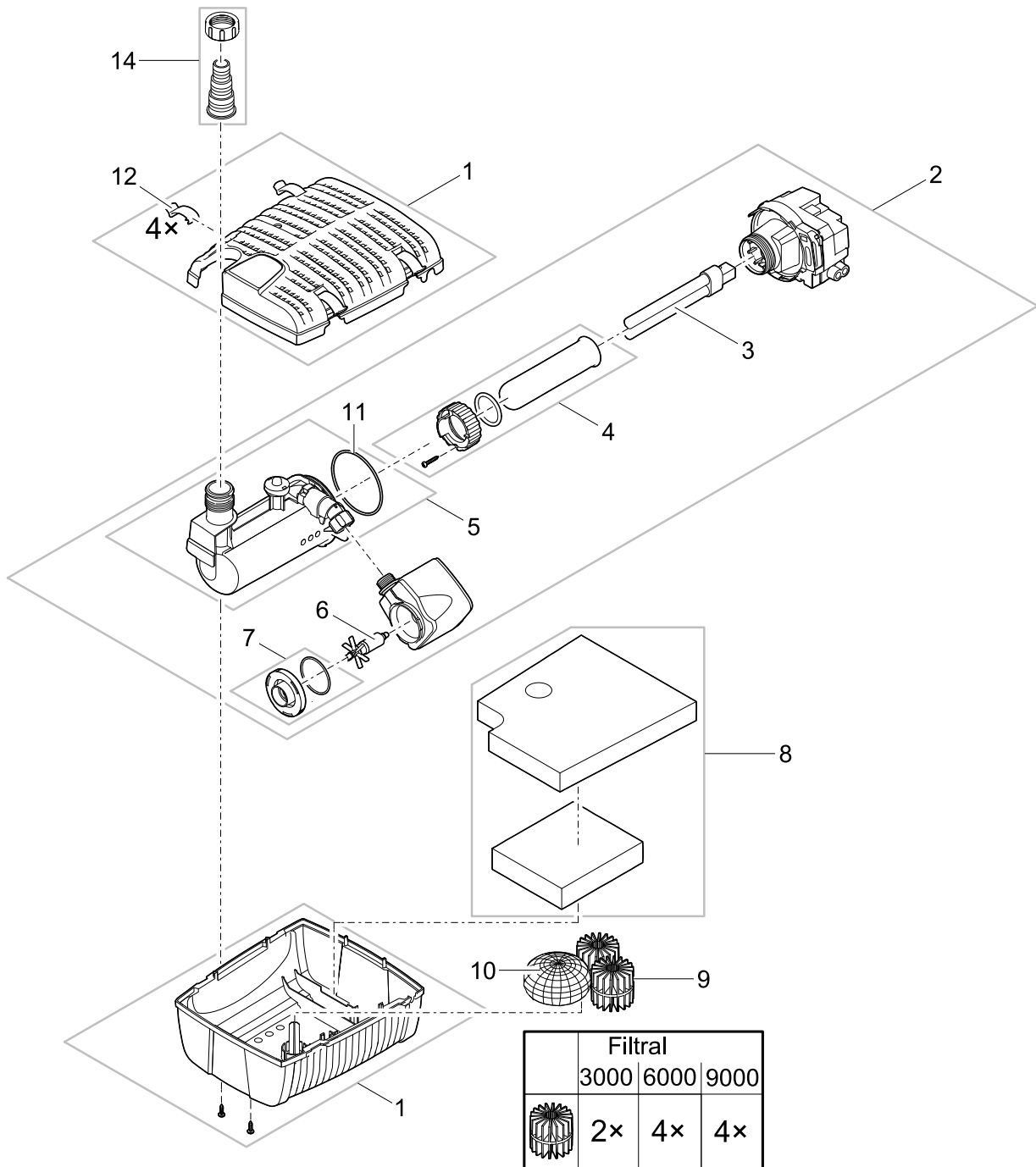
| Pos. | Item no. Product | Product | Item no. Spare part | Spare part | Number |
|------|------------------|-----------------------|---------------------|---|--------|
| 1 | 70236 | Filtral UVC 1500 [GB] | 72781 | Replacement outer housing Filtral small | 1 |
| 2 | 70236 | Filtral UVC 1500 [GB] | 72784 | ASM replacement pump / UVC Filtral 1500 | 1 |
| 3 | 70236 | Filtral UVC 1500 [GB] | 57110 | Replacement bulb UVC 5 W | 1 |
| 4 | 70236 | Filtral UVC 1500 [GB] | 72792 | ASM repl. quartz glass Filtral small | 1 |
| 5 | 70236 | Filtral UVC 1500 [GB] | 72788 | ASM repl. water housing Filtral small | 1 |
| 6 | 70236 | Filtral UVC 1500 [GB] | 22647 | Spare rotor cpl. ASE 750 magnetized | 1 |
| 7 | 70236 | Filtral UVC 1500 [GB] | 35762 | ASM pump housing ASE 1000 | 1 |
| 8 | 70236 | Filtral UVC 1500 [GB] | 70240 | Replacement foam set Filtral UVC 1500 | 1 |
| 9 | 70236 | Filtral UVC 1500 [GB] | 19503 | Bio surface element | 1 |
| 10 | 70236 | Filtral UVC 1500 [GB] | 72795 | Replacement ceramic bag Filtral small | 1 |
| 11 | 70236 | Filtral UVC 1500 [GB] | 19945 | O-Ring NBR 75 x 2.5 SH70 | 1 |
| 12 | 70236 | Filtral UVC 1500 [GB] | 72798 | Replacement set clips Filtral | 1 |
| 14 | 70236 | Filtral UVC 1500 [GB] | 23641 | Stepped hose tail with bush cpl. G1/2 | 1 |

| Item no. | Product |
|----------|------------------|
| 70234 | Filtral UVC 3000 |
| 70235 | Filtral UVC 6000 |
| 75952 | Filtral UVC 9000 |



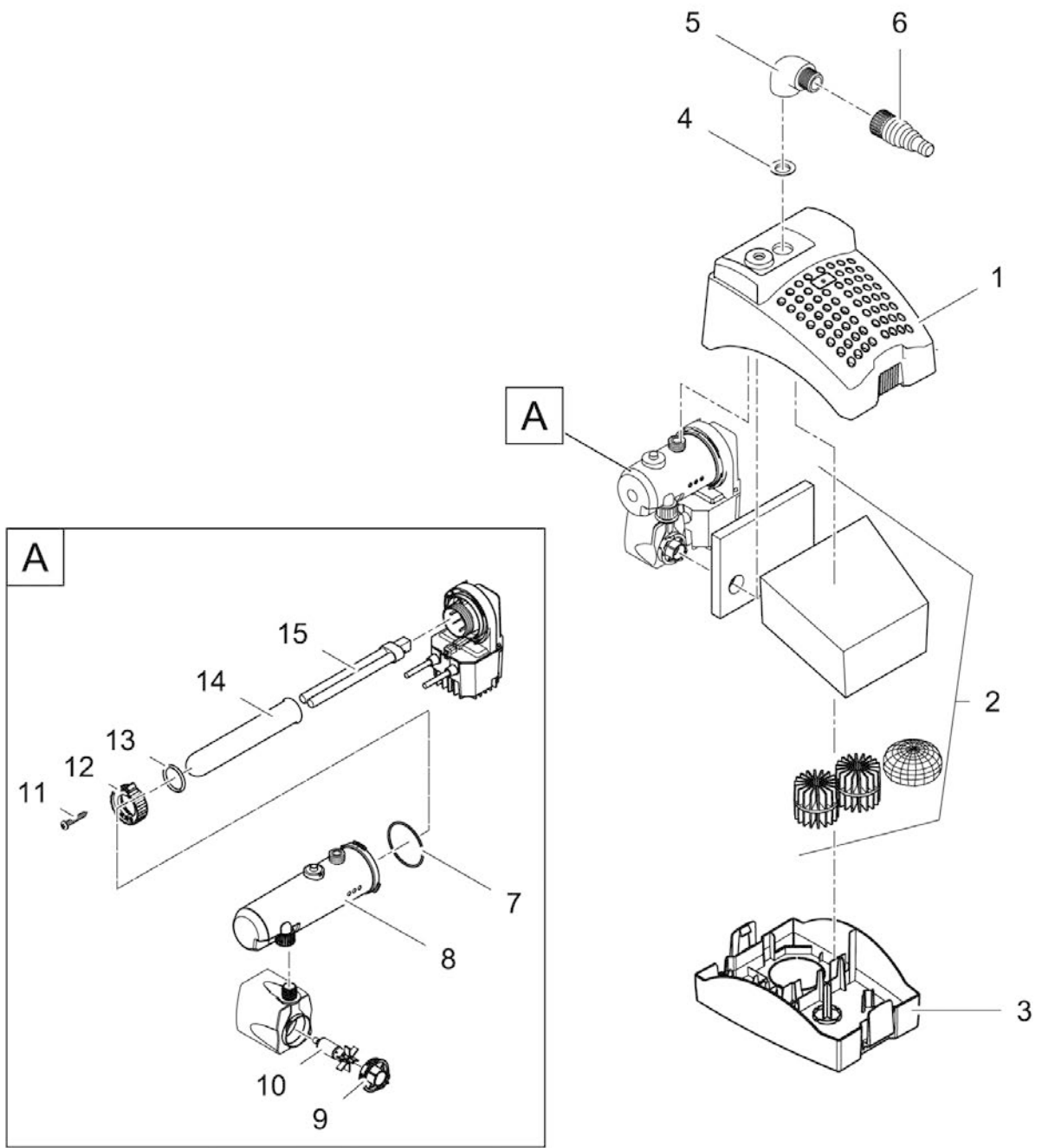
| Pos. | Item no. Product | Product | Item no. Spare part | Spare part | Number |
|------|---------------------|------------------------|------------------------|--|--------|
| 1 | 70234 | Filtral UVC 3000 [INT] | 72782 | Replacement outer housing Filtral medium | 1 |
| | 70235 | Filtral UVC 6000 [INT] | 72783 | Replacement outer housing Filtral large | 1 |
| | 75952 | Filtral UVC 9000 [INT] | | | |
| 2 | 70234 | Filtral UVC 3000 [INT] | 72785 | ASM replacement pump / UVC Filtral 3000 | 1 |
| | 70235 | Filtral UVC 6000 [INT] | 72786 | ASM replacement pump / UVC Filtral 6000 | 1 |
| | 75952 | Filtral UVC 9000 [INT] | 72787 | ASM replacement pump / UVC Filtral 9000 | 1 |
| 3 | 70234 | Filtral UVC 3000 [INT] | 54984 | Replacement bulb UVC 9 W | 1 |
| | 70235 | Filtral UVC 6000 [INT] | 56112 | Replacement bulb UVC 11 W | 1 |
| | 75952 | Filtral UVC 9000 [INT] | 72771 | Replacement bulb UVC 13 W | 1 |
| 4 | 70234 | Filtral UVC 3000 [INT] | 72793 | ASM repl. quartz glass Filtral medium | 1 |
| | 70235 | Filtral UVC 6000 [INT] | 72794 | ASM repl. quartz glass Filtral large | 1 |
| | 75952 | Filtral UVC 9000 [INT] | | | |
| 5 | 70234 | Filtral UVC 3000 [INT] | 72789 | ASM repl. water housing Filtral medium | 1 |
| | 70235 | Filtral UVC 6000 [INT] | 72790 | ASM repl. water housing Filtral large | 1 |
| | 75952 | Filtral UVC 9000 [INT] | | | |
| 6 | 70234 | Filtral UVC 3000 [INT] | 18012 | Spare rotor cpl. ASE 1500 magnetized | 1 |
| | 70235 | Filtral UVC 6000 [INT] | 18013 | Spare rotor cpl. ASE 2500 magnetized | 1 |
| | 75952 | Filtral UVC 9000 [INT] | | | |
| 7 | 70234 | Filtral UVC 3000 [INT] | 35769 | ASM pump housing ASE 1500 | 1 |
| | 70235 | Filtral UVC 6000 [INT] | 35770 | ASM pump housing ASE 2500 | 1 |
| | 75952 | Filtral UVC 9000 [INT] | | | |
| 8 | 70234 | Filtral UVC 3000 [INT] | 70241 | Replacement foam set Filtral UVC 3000 | 1 |
| | 70235 | Filtral UVC 6000 [INT] | 70242 | Repl. foam set Filtral UVC 6000/9000 | 1 |
| | 75952 | Filtral UVC 9000 [INT] | | | |
| 9 | 70234 | Filtral UVC 3000 [INT] | 19503 | Bio surface element | 1 |
| | 70235 | Filtral UVC 6000 [INT] | | | |
| | 75952 | Filtral UVC 9000 [INT] | | | |
| 10 | 70234 | Filtral UVC 3000 [INT] | 72796 | Replacement ceramic bag Filtral medium | 1 |
| | 70235 | Filtral UVC 6000 [INT] | 72797 | Replacement ceramic bag Filtral large | 1 |
| | 75952 | Filtral UVC 9000 [INT] | | | |
| 11 | 70234 | Filtral UVC 3000 [INT] | 19945 | O-Ring NBR 75 x 2.5 SH70 | 1 |
| | 70235 | Filtral UVC 6000 [INT] | | | |
| | 75952 | Filtral UVC 9000 [INT] | | | |
| 12 | 70234 | Filtral UVC 3000 [INT] | 72798 | Replacement set clips Filtral | 1 |
| | 70235 | Filtral UVC 6000 [INT] | | | |
| | 75952 | Filtral UVC 9000 [INT] | | | |
| 13 | 70234 | Filtral UVC 3000 [INT] | 43290 | Spare T-controller Aquarius Fountain Set | 1 |
| | 70235 | Filtral UVC 6000 [INT] | | | |
| | 75952 | Filtral UVC 9000 [INT] | | | |
| 14 | 70234 | Filtral UVC 3000 [INT] | 70831 | Additional pack Filtral medium/large | 1 |
| | 70235 | Filtral UVC 6000 [INT] | | | |
| | 75952 | Filtral UVC 9000 [INT] | | | |
| 15 | 70234 | Filtral UVC 3000 [INT] | 70364 | Filtral Aeration Set | 1 |
| | 70235 | Filtral UVC 6000 [INT] | | | |
| | 75952 | Filtral UVC 9000 [INT] | | | |

| Item no. | Product |
|----------|---------------------|
| 70237 | GB Filtral UVC 3000 |
| 70238 | GB Filtral UVC 6000 |
| 70239 | GB Filtral UVC 9000 |



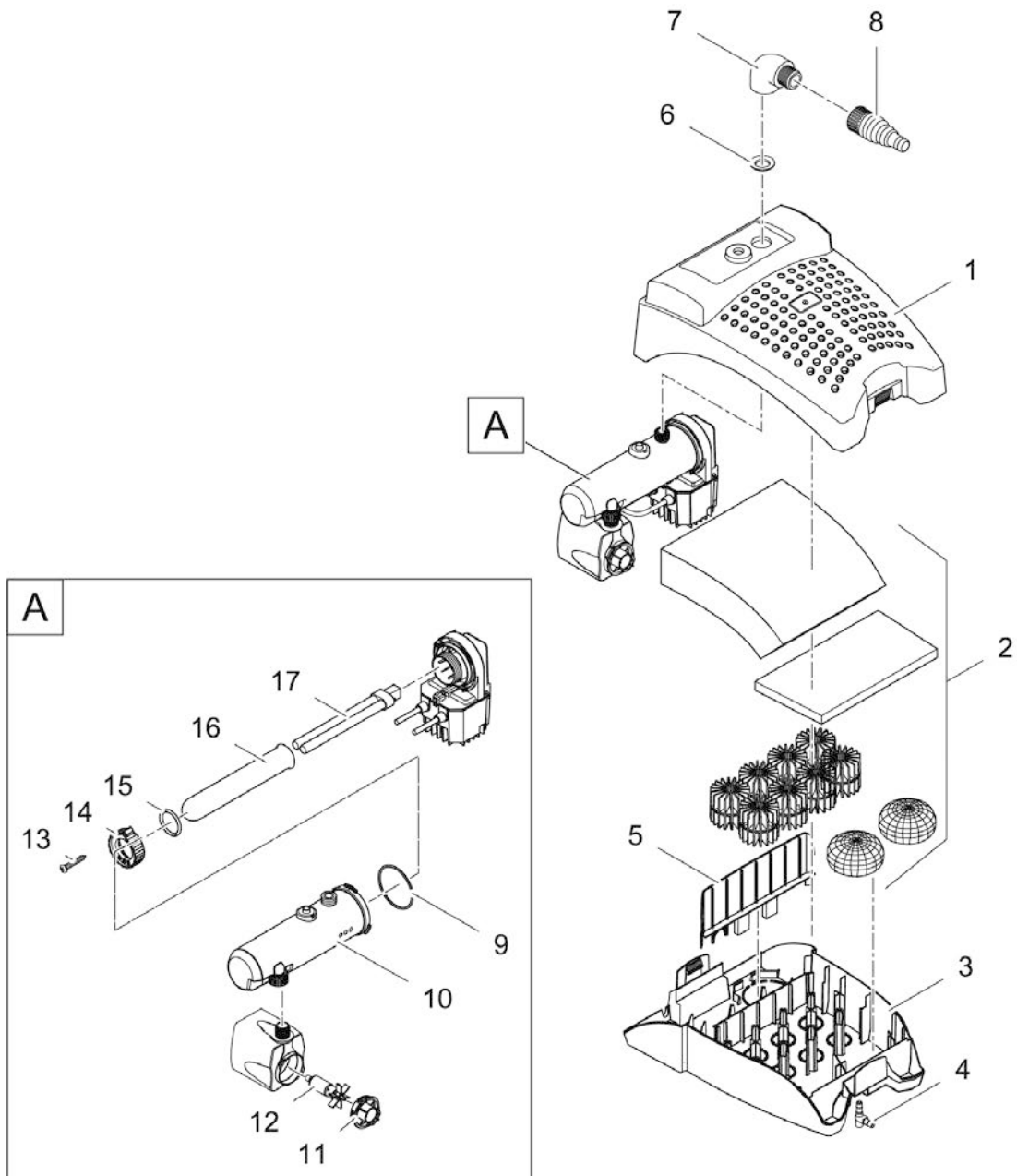
| Pos. | Item no. Product | Product | Item no. Spare part | Spare part | Number |
|------|---------------------|-----------------------|------------------------|--|--------|
| 1 | 70237 | Filtral UVC 3000 [GB] | 72782 | Replacement outer housing Filtral medium | 1 |
| | 70238 | Filtral UVC 6000 [GB] | 72783 | Replacement outer housing Filtral large | 1 |
| | 70239 | Filtral UVC 9000 [GB] | | | |
| 2 | 70237 | Filtral UVC 3000 [GB] | 72785 | ASM replacement pump / UVC Filtral 3000 | 1 |
| | 70238 | Filtral UVC 6000 [GB] | 72786 | ASM replacement pump / UVC Filtral 6000 | 1 |
| | 70239 | Filtral UVC 9000 [GB] | 72787 | ASM replacement pump / UVC Filtral 9000 | 1 |
| 3 | 70237 | Filtral UVC 3000 [GB] | 54984 | Replacement bulb UVC 9 W | 1 |
| | 70238 | Filtral UVC 6000 [GB] | 56112 | Replacement bulb UVC 11 W | 1 |
| | 70239 | Filtral UVC 9000 [GB] | 72771 | Replacement bulb UVC 13 W | 1 |
| 4 | 70237 | Filtral UVC 3000 [GB] | 72793 | ASM repl. quartz glass Filtral medium | 1 |
| | 70238 | Filtral UVC 6000 [GB] | 72794 | ASM repl. quartz glass Filtral large | 1 |
| | 70239 | Filtral UVC 9000 [GB] | | | |
| 5 | 70237 | Filtral UVC 3000 [GB] | 72789 | ASM repl. water housing Filtral medium | 1 |
| | 70238 | Filtral UVC 6000 [GB] | 72790 | ASM repl. water housing Filtral large | 1 |
| | 70239 | Filtral UVC 9000 [GB] | | | |
| 6 | 70237 | Filtral UVC 3000 [GB] | 18012 | Spare rotor cpl. ASE 1500 magnetized | 1 |
| | 70238 | Filtral UVC 6000 [GB] | 18013 | Spare rotor cpl. ASE 2500 magnetized | 1 |
| | 70239 | Filtral UVC 9000 [GB] | | | |
| 7 | 70237 | Filtral UVC 3000 [GB] | 35769 | ASM pump housing ASE 1500 | 1 |
| | 70238 | Filtral UVC 6000 [GB] | 35770 | ASM pump housing ASE 2500 | 1 |
| | 70239 | Filtral UVC 9000 [GB] | | | |
| 8 | 70237 | Filtral UVC 3000 [GB] | 70241 | Replacement foam set Filtral UVC 3000 | 1 |
| | 70238 | Filtral UVC 6000 [GB] | 70242 | Repl. foam set Filtral UVC 6000/9000 | 1 |
| | 70239 | Filtral UVC 9000 [GB] | | | |
| 9 | 70237 | Filtral UVC 3000 [GB] | 19503 | Bio surface element | 1 |
| | 70238 | Filtral UVC 6000 [GB] | | | |
| | 70239 | Filtral UVC 9000 [GB] | | | |
| 10 | 70237 | Filtral UVC 3000 [GB] | 72796 | Replacement ceramic bag Filtral medium | 1 |
| | 70238 | Filtral UVC 6000 [GB] | 72797 | Replacement ceramic bag Filtral large | 1 |
| | 70239 | Filtral UVC 9000 [GB] | | | |
| 11 | 70237 | Filtral UVC 3000 [GB] | 19945 | O-Ring NBR 75 x 2,5 SH70 | 1 |
| | 70238 | Filtral UVC 6000 [GB] | | | |
| | 70239 | Filtral UVC 9000 [GB] | | | |
| 12 | 70237 | Filtral UVC 3000 [GB] | 72798 | Replacement set clips Filtral | 1 |
| | 70238 | Filtral UVC 6000 [GB] | | | |
| | 70239 | Filtral UVC 9000 [GB] | | | |
| 14 | 70237 | Filtral UVC 3000 [GB] | 70832 | Additional pack Filtral 3000/6000 | 1 |
| | 70238 | Filtral UVC 6000 [GB] | 70831 | Additional pack Filtral medium/large | 4 |
| | 70239 | Filtral UVC 9000 [GB] | | | |

| Item no. | Product |
|----------|---------------------|
| 51232 | GB Filtral UVC 3000 |



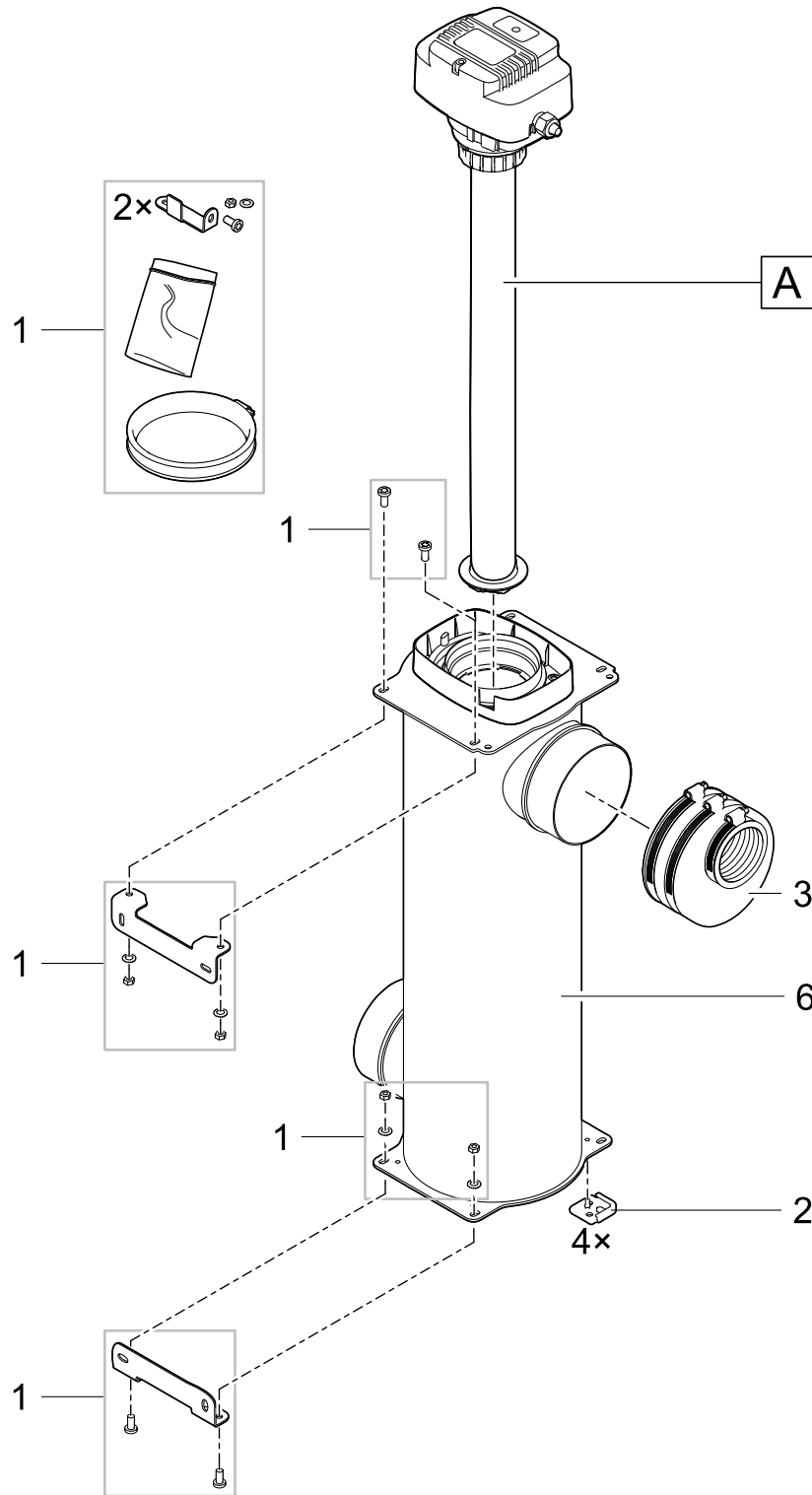
| Pos. | Item no. Product | Product | Item no. Spare part | Spare part | Number |
|------|---------------------|-----------------------|------------------------|--|--------|
| 1 | 51232 | Filtral UVC 3000 [GB] | 14041 | ASM filter top Filtral UVC 2500 | 1 |
| 2 | 51232 | Filtral UVC 3000 [GB] | 13705 | Replacement filter set UVC 2500-3000 | 1 |
| 3 | 51232 | Filtral UVC 3000 [GB] | 13623 | Base UVC 2500-3000 | 1 |
| 4 | 51232 | Filtral UVC 3000 [GB] | 29388 | Profile gasket D35 x 5 | 1 |
| 5 | 51232 | Filtral UVC 3000 [GB] | 20191 | 90° bend Aquarius 1700 | 1 |
| 6 | 51232 | Filtral UVC 3000 [GB] | 42429 | Spare stepped hose tail 1/2" | 1 |
| 7 | 51232 | Filtral UVC 3000 [GB] | 73490 | O-Ring NBR 61,6 x 2,62 SH70 A greased | 1 |
| 8 | 51232 | Filtral UVC 3000 [GB] | 13965 | Spare water housing UVC 2500-3000 | 1 |
| 9 | 51232 | Filtral UVC 3000 [GB] | 35762 | ASM pump housing ASE 1000 | 1 |
| 10 | 51232 | Filtral UVC 3000 [GB] | 28351 | Spare rotor cpl. ASE 1000 magnetized | 1 |
| 11 | 51232 | Filtral UVC 3000 [GB] | 27891 | Oval head screw CH-V2A DIN 7981 3.5 x 22 | 1 |
| 12 | 51232 | Filtral UVC 3000 [GB] | 12049 | Clamp screw UVC 7/9/11W | 1 |
| 13 | 51232 | Filtral UVC 3000 [GB] | 73481 | O-Ring Viton 32 x 4 SH70 greased | 1 |
| 14 | 51232 | Filtral UVC 3000 [GB] | 14193 | Quartz glass D33 x 100.9 with rim | 1 |
| 15 | 51232 | Filtral UVC 3000 [GB] | 57111 | Replacement bulb UVC 7 W | 1 |
| A | 51232 | Filtral UVC 3000 [GB] | 21615 | Spare UVC / pump Filtral UVC 3000 | 1 |

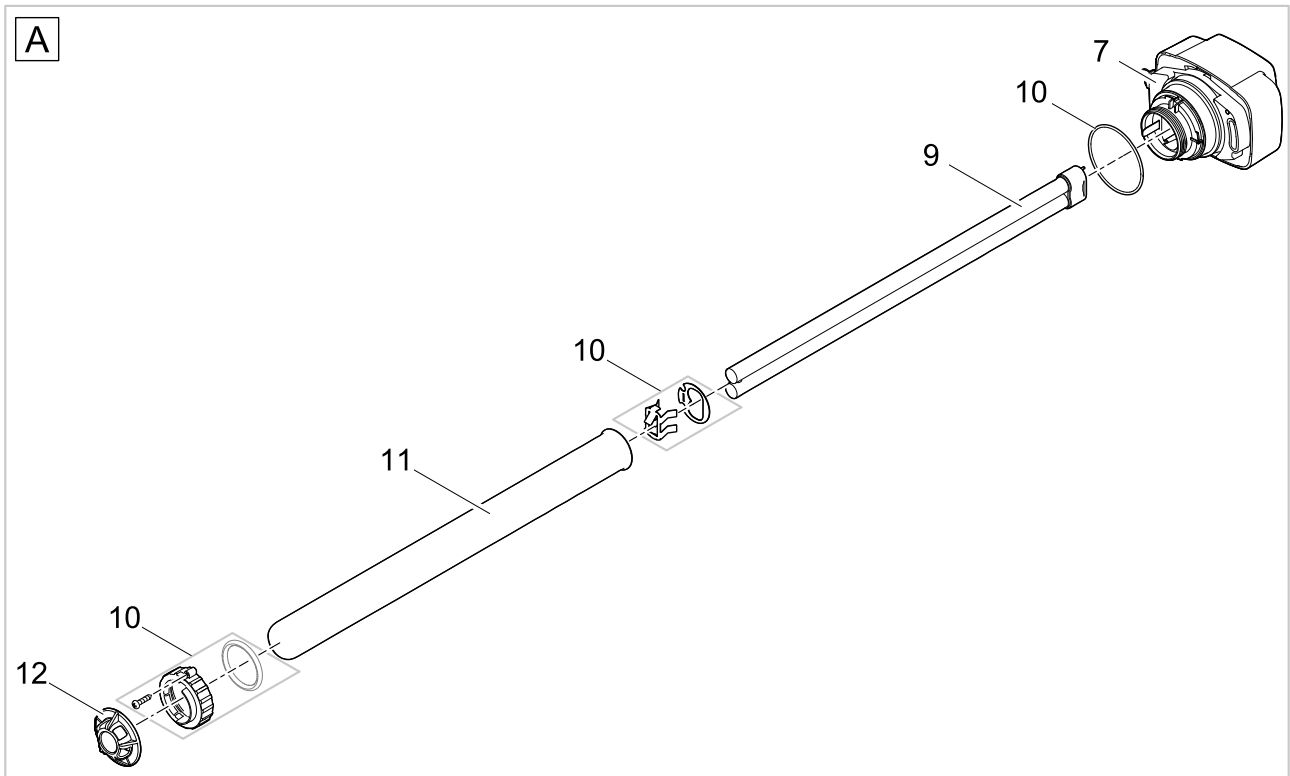
| Item no. | Product |
|----------|---------------------|
| 51233 | GB Filtral UVC 6000 |
| 51235 | GB Filtral UVC 9000 |



| Pos. | Item no. Product | Product | Item no. Spare part | Spare part | Number |
|------|---------------------|-----------------------|------------------------|--|--------|
| 1 | 51233 | Filtral UVC 6000 [GB] | 29281 | Top Filtral UVC 5000 | 1 |
| | 51235 | Filtral UVC 9000 [GB] | | | |
| 2 | 51233 | Filtral UVC 6000 [GB] | 35836 | Replacement filter set UVC 5000 | 1 |
| | 51235 | Filtral UVC 9000 [GB] | | | |
| 3 | 51233 | Filtral UVC 6000 [GB] | 11349 | Filterhousing base pump/UVC | 1 |
| | 51235 | Filtral UVC 9000 [GB] | | | |
| 4 | 51233 | Filtral UVC 6000 [GB] | 35087 | Air connection BioTec 5.1 / 10.1 | 1 |
| | 51235 | Filtral UVC 9000 [GB] | | | |
| 5 | 51233 | Filtral UVC 6000 [GB] | 29386 | Separating plate UVC 5000 | 1 |
| | 51235 | Filtral UVC 9000 [GB] | | | |
| 6 | 51233 | Filtral UVC 6000 [GB] | 29388 | Profile gasket D35 x 5 | 1 |
| | 51235 | Filtral UVC 9000 [GB] | | | |
| 7 | 51233 | Filtral UVC 6000 [GB] | 20191 | 90° bend Aquarius 1700 | 1 |
| | 51235 | Filtral UVC 9000 [GB] | | | |
| 8 | 51233 | Filtral UVC 6000 [GB] | 42429 | Spare stepped hose tail 1/2" | 1 |
| | 51235 | Filtral UVC 9000 [GB] | | | |
| 9 | 51233 | Filtral UVC 6000 [GB] | 73490 | O-Ring NBR 61,6 x 2,62 SH70 A greased | 1 |
| | 51235 | Filtral UVC 9000 [GB] | | | |
| 10 | 51233 | Filtral UVC 6000 [GB] | 35872 | Spare water housing UVC 5000 | 1 |
| | 51235 | Filtral UVC 9000 [GB] | | | |
| 11 | 51233 | Filtral UVC 6000 [GB] | 35770 | ASM pump housing ASE 2500 | 1 |
| | 51235 | Filtral UVC 9000 [GB] | | | |
| 12 | 51233 | Filtral UVC 6000 [GB] | 18013 | Spare rotor cpl. ASE 2500 magnetized | 1 |
| | 51235 | Filtral UVC 9000 [GB] | | | |
| 13 | 51233 | Filtral UVC 6000 [GB] | 27891 | Oval head screw CH-V2A DIN 7981 3.5 x 22 | 1 |
| | 51235 | Filtral UVC 9000 [GB] | | | |
| 14 | 51233 | Filtral UVC 6000 [GB] | 12049 | Clamp screw UVC 7/9/11W | 1 |
| | 51235 | Filtral UVC 9000 [GB] | | | |
| 15 | 51233 | Filtral UVC 6000 [GB] | 73481 | O-Ring Viton 32 x 4 SH70 greased | 1 |
| | 51235 | Filtral UVC 9000 [GB] | | | |
| 16 | 51233 | Filtral UVC 6000 [GB] | 13312 | Quartz glass D33 x 200 with rim | 1 |
| | 51235 | Filtral UVC 9000 [GB] | | | |
| 17 | 51233 | Filtral UVC 6000 [GB] | 54984 | Replacement bulb UVC 9 W | 1 |
| | 51235 | Filtral UVC 9000 [GB] | 56112 | Replacement bulb UVC 11 W | 1 |
| A | 51233 | Filtral UVC 6000 [GB] | 21616 | Spare UVC / pump Filtral UVC 6000 | 1 |
| | 51235 | Filtral UVC 9000 [GB] | 21617 | Spare UVC / pump Filtral UVC 9000 | 1 |

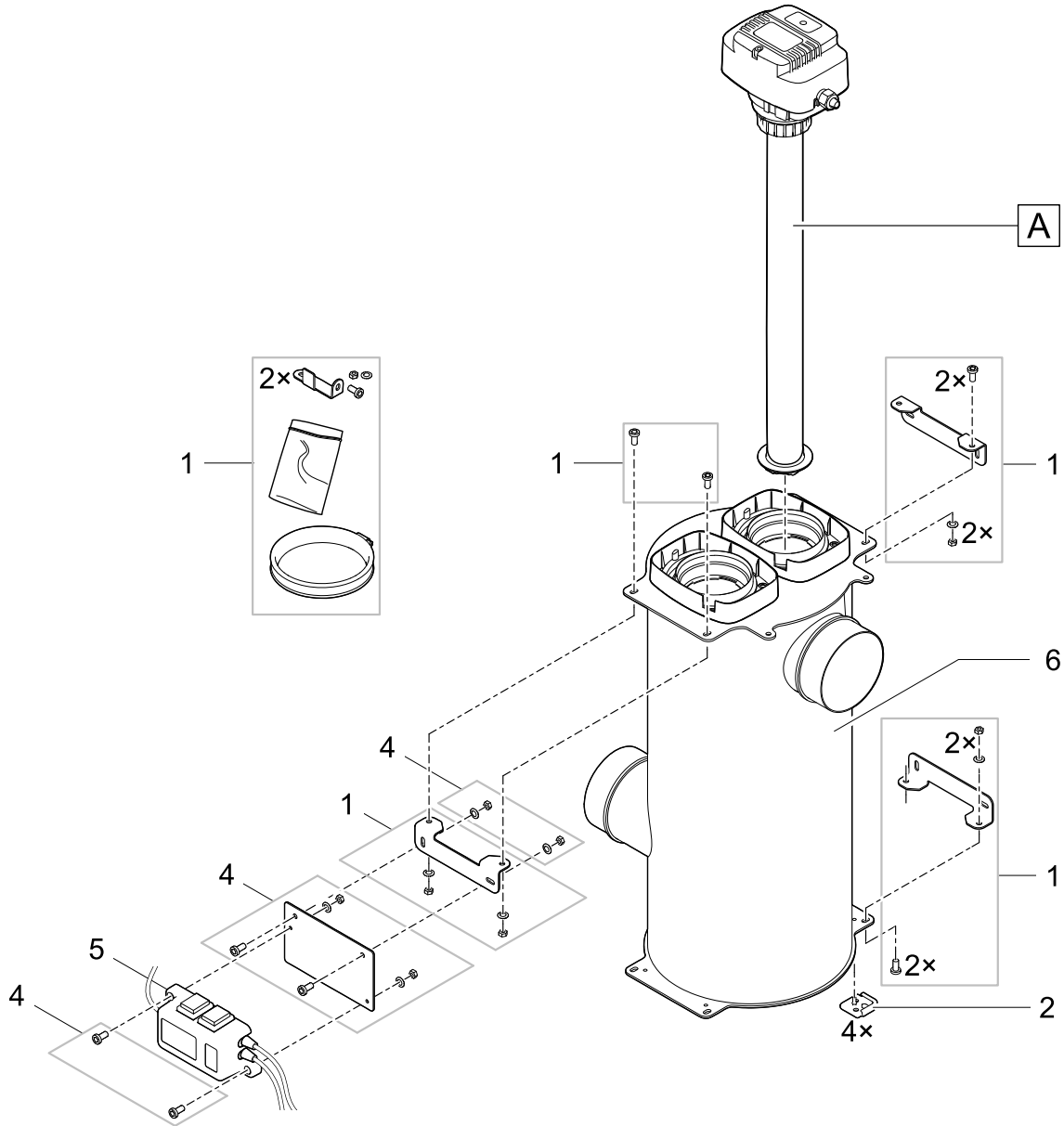
| Item no. | Product |
|----------|---------------------|
| 73374 | Bitron Premium 60 W |

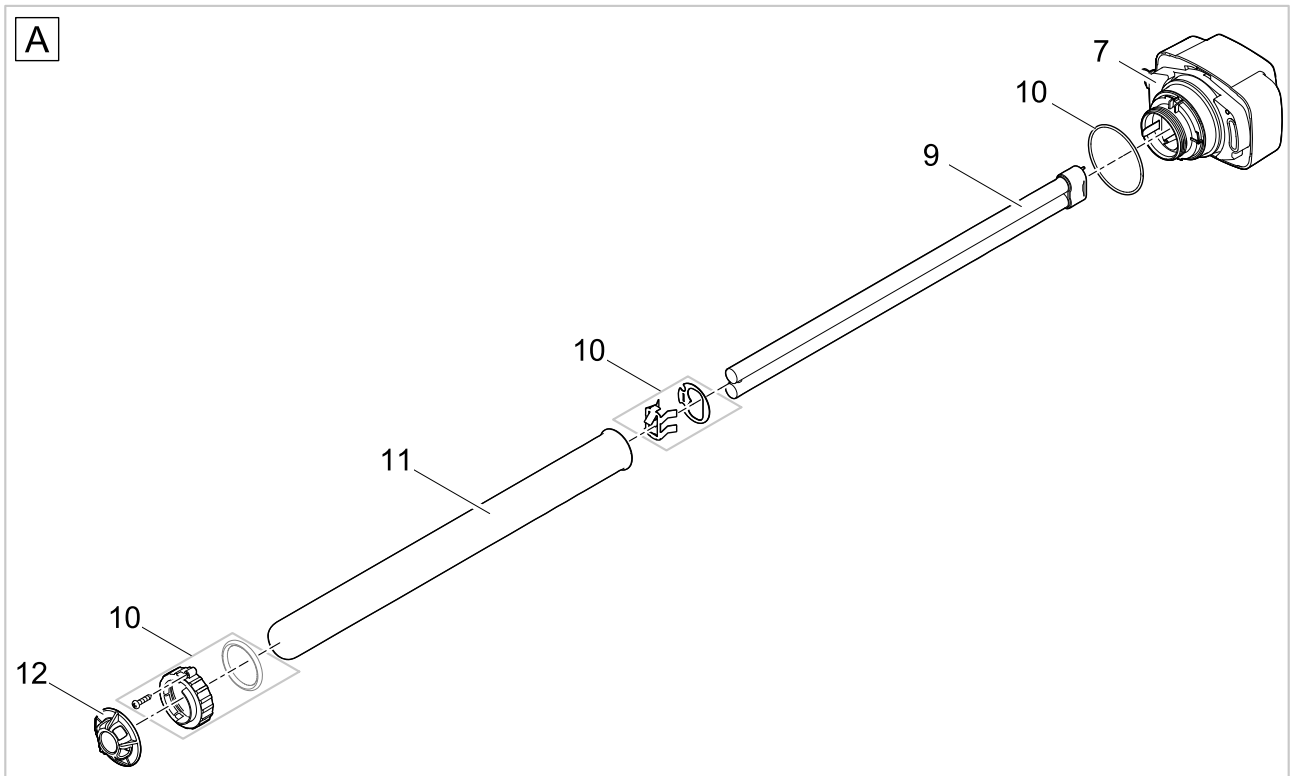




| Pos. | Item no. Product | Product | Item no. Spare part | Spare part | Number |
|------|------------------|---------------------------|---------------------|---|--------|
| 1 | 73374 | Bitron Premium 60 W [INT] | 76166 | Add. pack Bitron Premium | 1 |
| 2 | 73374 | Bitron Premium 60 W [INT] | 77288 | Spare rubber feet set Bitron Premium | 1 |
| 3 | 73374 | Bitron Premium 60 W [INT] | 73752 | Rubber connection 2" to DN110 eccentric | 1 |
| 6 | 73374 | Bitron Premium 60 W [INT] | 76733 | Spare water housing Bitron Prem 60 W | 1 |
| 7 | 73374 | Bitron Premium 60 W [INT] | 86958 | Spare lamp head Bitron Premium 60 W | 1 |
| 9 | 73374 | Bitron Premium 60 W [INT] | 57077 | Replacement bulb UVC Eco 60 W | 1 |
| 10 | 73374 | Bitron Premium 60 W [INT] | 16031 | Spare part clamp bolt set FiltoClear12-30 | 1 |
| 11 | 73374 | Bitron Premium 60 W [INT] | 13331 | Quartz glass D44 x 518 with rim | 1 |
| 12 | 73374 | Bitron Premium 60 W [INT] | 17889 | Transport protection Bitron | 1 |

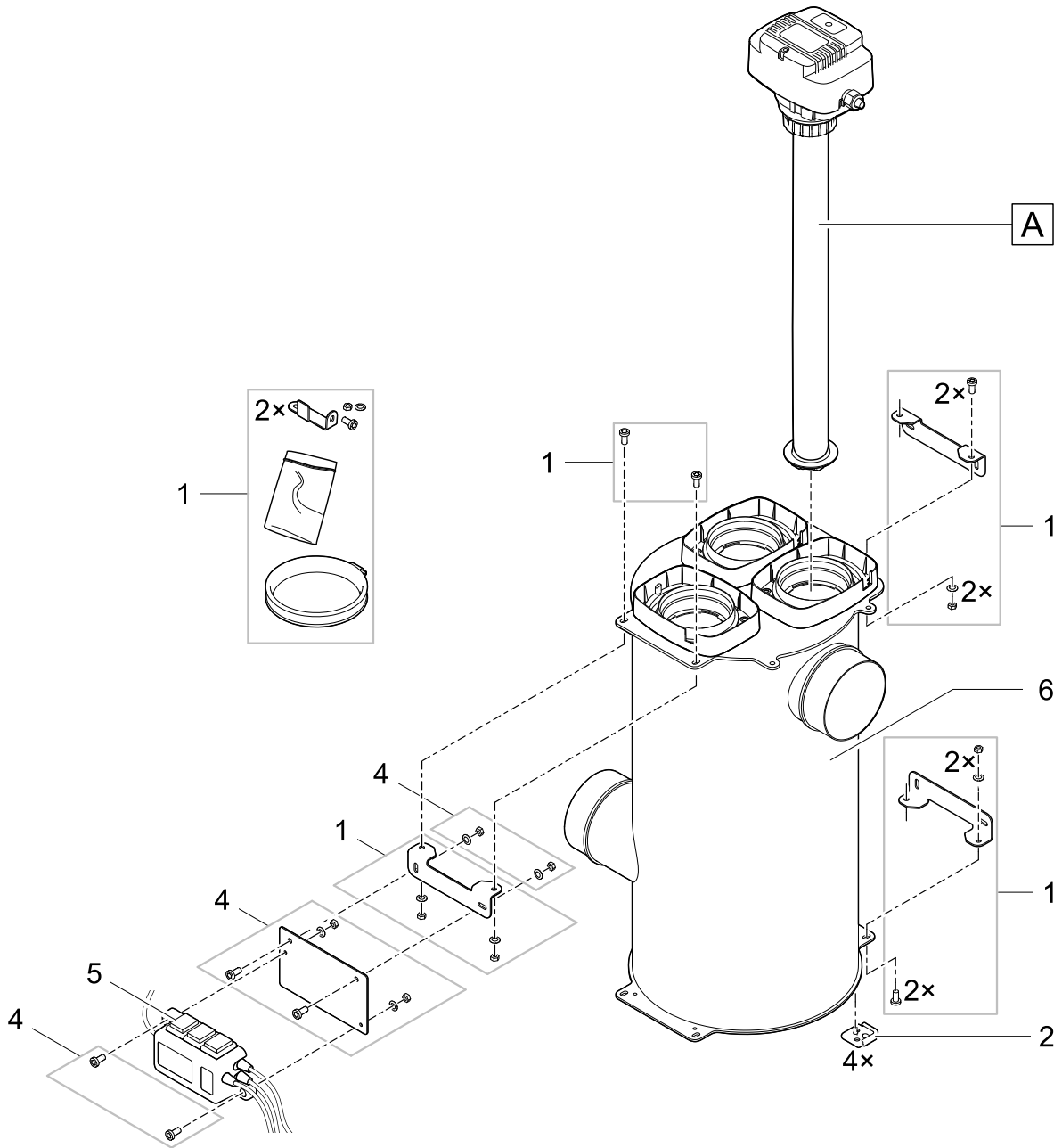
| Item no. | Product |
|----------|----------------------|
| 73375 | Bitron Premium 120 W |

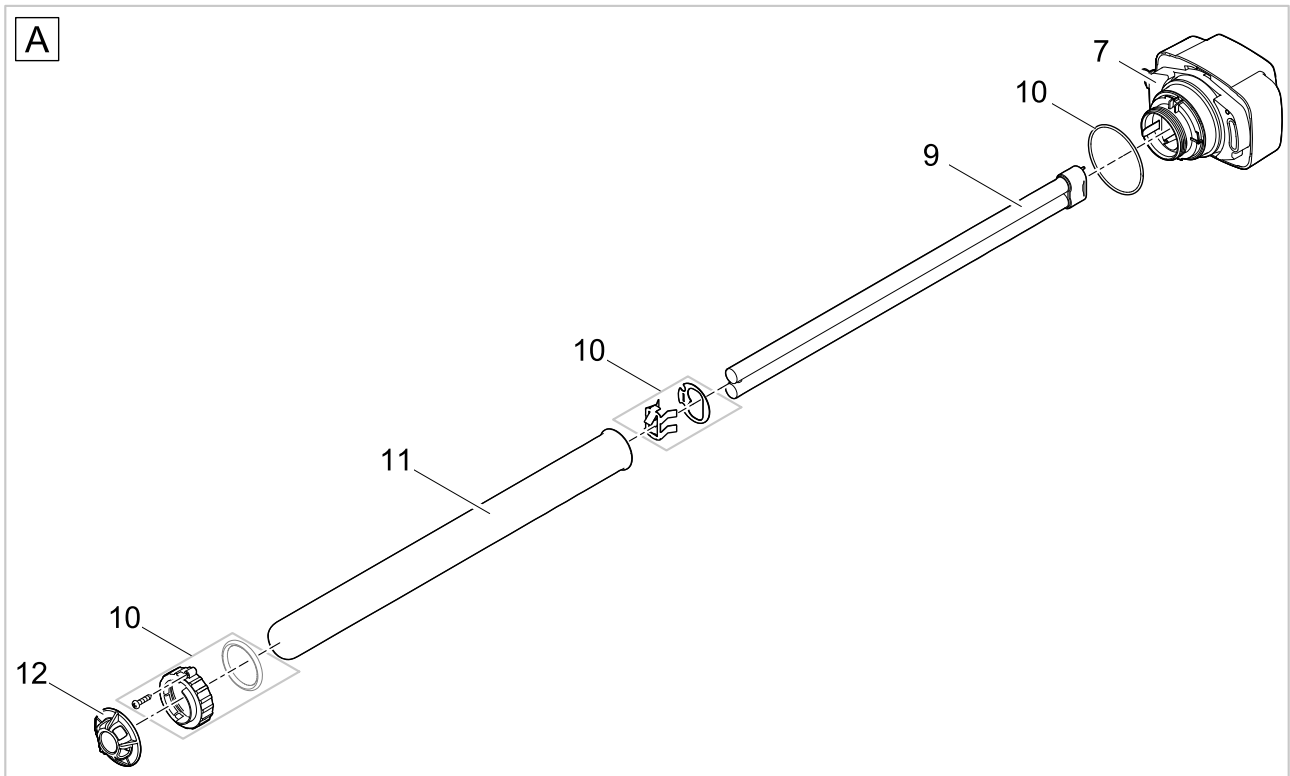




| Pos. | Item no. Product | Product | Item no. Spare part | Spare part | Number |
|------|------------------|----------------------------|---------------------|---|--------|
| 1 | 73375 | Bitron Premium 120 W [INT] | 76166 | Add. pack Bitron Premium | 1 |
| 2 | 73375 | Bitron Premium 120 W [INT] | 77288 | Spare rubber feet set Bitron Premium | 1 |
| 4 | 73375 | Bitron Premium 120 W [INT] | 76736 | Spare bracket electronic box Bitron | 1 |
| 5 | 73375 | Bitron Premium 120 W [INT] | 75629 | Electronic box Bitron Premium 120 W | 1 |
| 6 | 73375 | Bitron Premium 120 W [INT] | 76734 | Spare water housing Bitron Prem 120 W | 1 |
| 7 | 73375 | Bitron Premium 120 W [INT] | 86959 | Spare lamp head Bitron Premium 120/180 W | 1 |
| 9 | 73375 | Bitron Premium 120 W [INT] | 57077 | Replacement bulb UVC Eco 60 W | 1 |
| 10 | 73375 | Bitron Premium 120 W [INT] | 16031 | Spare part clamp bolt set FiltoClear12-30 | 1 |
| 11 | 73375 | Bitron Premium 120 W [INT] | 13331 | Quartz glass D44 x 518 with rim | 1 |
| 12 | 73375 | Bitron Premium 120 W [INT] | 17889 | Transport protection Bitron | 1 |

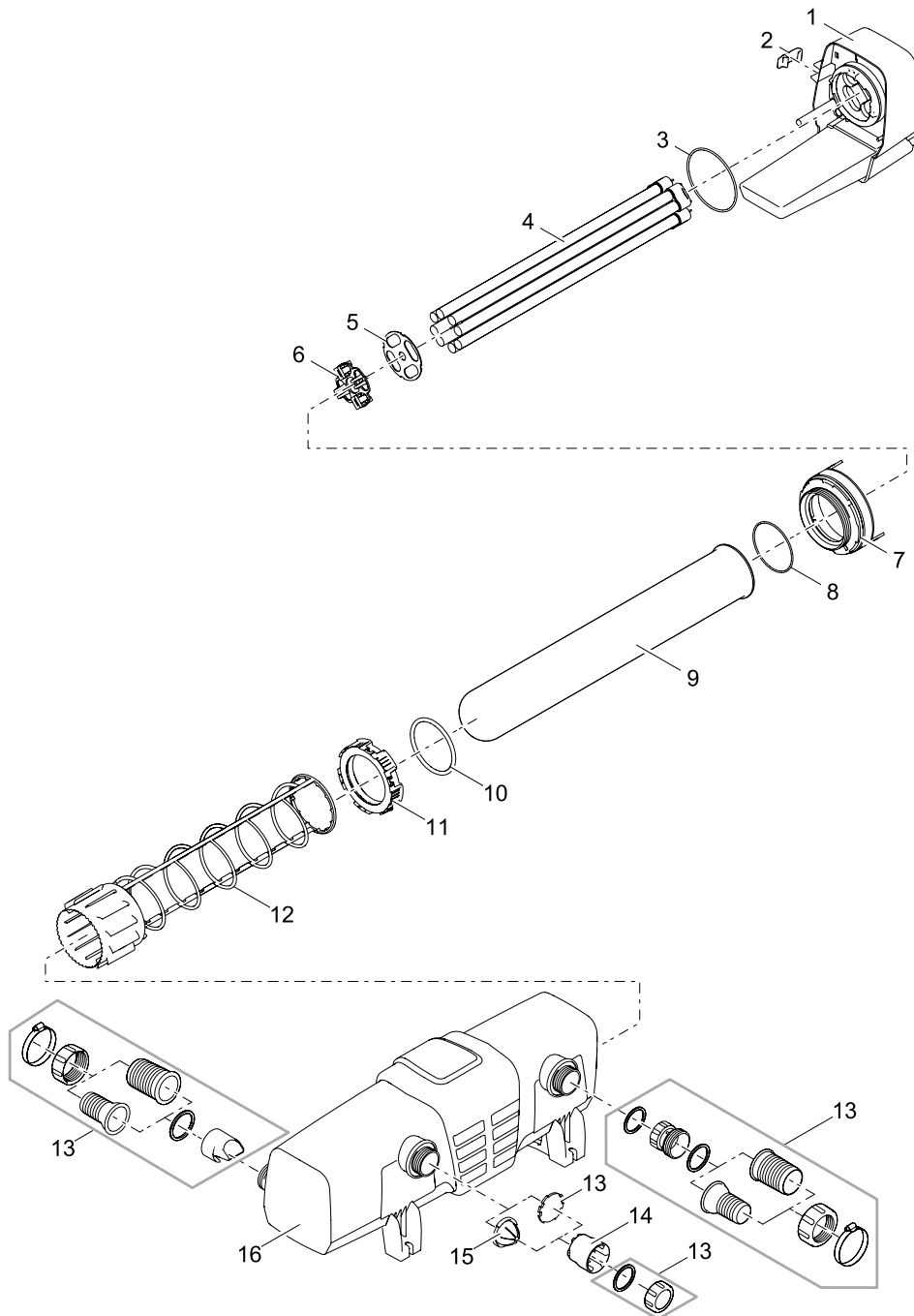
| Item no. | Product |
|----------|----------------------|
| 73376 | Bitron Premium 180 W |





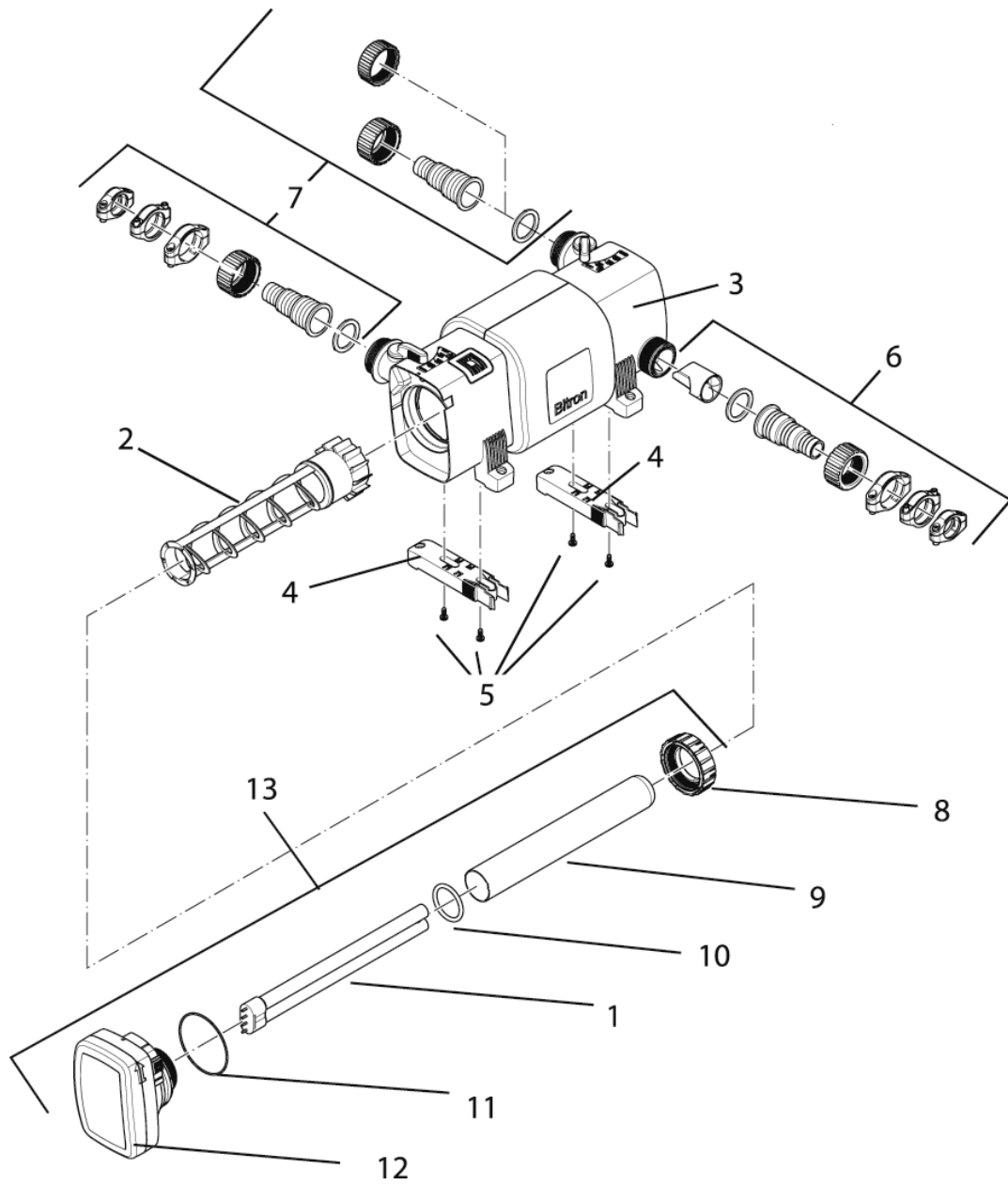
| Pos. | Item no. Product | Product | Item no. Spare part | Spare part | Number |
|------|------------------|----------------------------|---------------------|---|--------|
| 1 | 73376 | Bitron Premium 180 W [INT] | 76166 | Add. pack Bitron Premium | 1 |
| 2 | 73376 | Bitron Premium 180 W [INT] | 77288 | Spare rubber feet set Bitron Premium | 1 |
| 4 | 73376 | Bitron Premium 180 W [INT] | 76736 | Spare bracket electronic box Bitron | 1 |
| 5 | 73376 | Bitron Premium 180 W [INT] | 75630 | Electronic box Bitron Premium 180 W | 1 |
| 6 | 73376 | Bitron Premium 180 W [INT] | 76735 | Spare water housing Bitron Prem 180 W | 1 |
| 7 | 73376 | Bitron Premium 180 W [INT] | 86959 | Spare lamp head Bitron Premium 120/180 W | 1 |
| 9 | 73376 | Bitron Premium 180 W [INT] | 57077 | Replacement bulb UVC Eco 60 W | 1 |
| 10 | 73376 | Bitron Premium 180 W [INT] | 16031 | Spare part clamp bolt set FiltoClear12-30 | 1 |
| 11 | 73376 | Bitron Premium 180 W [INT] | 13331 | Quartz glass D44 x 518 with rim | 1 |
| 12 | 73376 | Bitron Premium 180 W [INT] | 17889 | Transport protection Bitron | 1 |

| Item no. | Product |
|----------|------------------|
| 56405 | Bitron Eco 180 W |
| 56410 | Bitron Eco 240 W |
| 56769 | Bitron Eco 120 W |



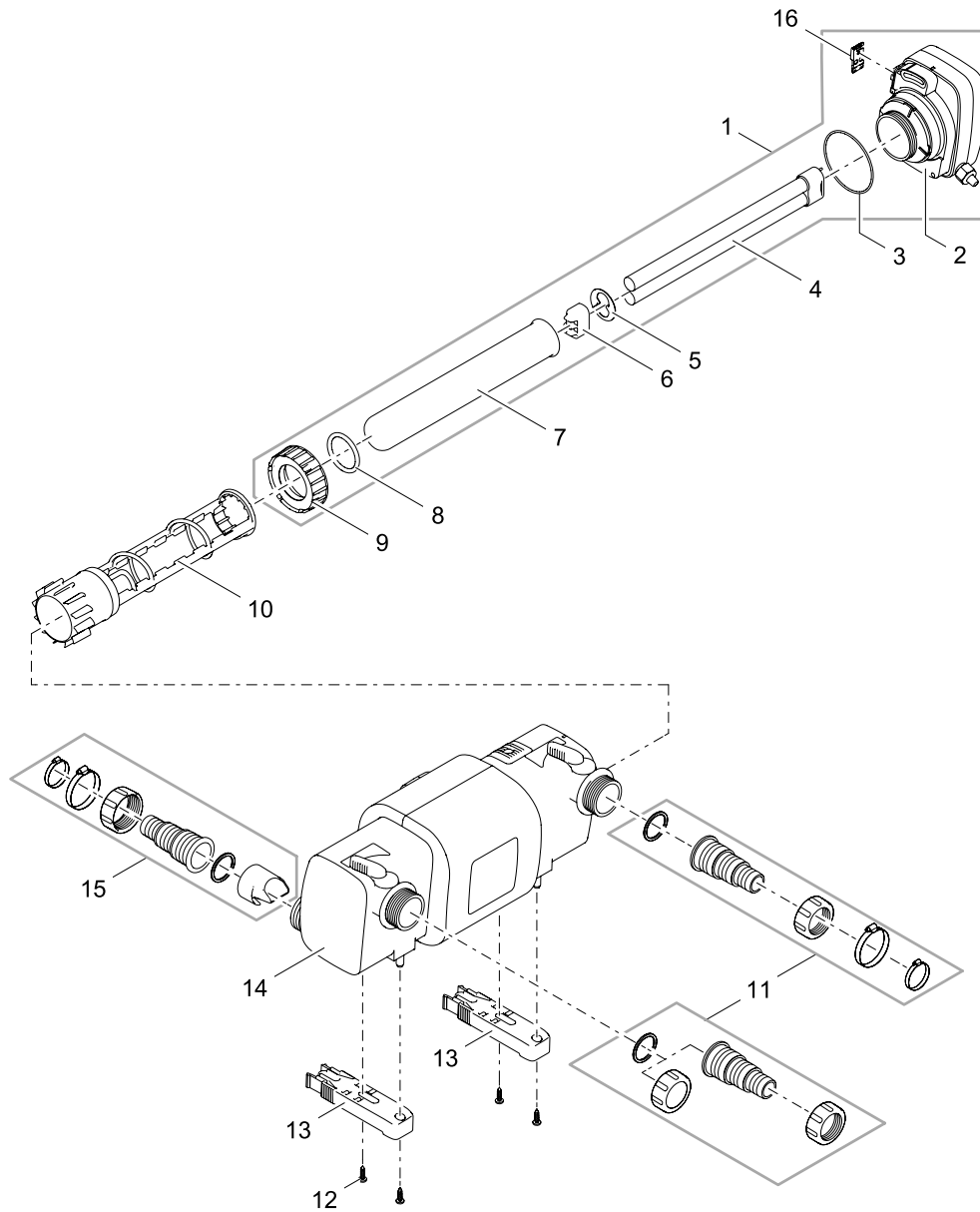
| Pos. | Item no. Product | Product | Item no. Spare part | Spare part | Number |
|------|---------------------|------------------------|------------------------|--|--------|
| 1 | 56405 | Bitron Eco 180 W [INT] | 49793 | Spare electronic Bitron Eco 180 W IP24 | 1 |
| | 56410 | Bitron Eco 240 W [INT] | 49794 | Spare electronic Bitron Eco 240 W IP24 | 1 |
| | 56769 | Bitron Eco 120 W [INT] | 49792 | Spare electronic Bitron Eco 120 W IP24 | 1 |
| 2 | 56405 | Bitron Eco 180 W [INT] | 30983 | Clip Bitron Eco / AquaMax | 1 |
| | 56410 | Bitron Eco 240 W [INT] | | | |
| | 56769 | Bitron Eco 120 W [INT] | | | |
| 3 | 56405 | Bitron Eco 180 W [INT] | 30809 | O-Ring Viton 102 x 3 SH50 A | 1 |
| | 56410 | Bitron Eco 240 W [INT] | | | |
| | 56769 | Bitron Eco 120 W [INT] | | | |
| 4 | 56405 | Bitron Eco 180 W [INT] | 57077 | Replacement bulb UVC Eco 60 W | 3 |
| | 56410 | Bitron Eco 240 W [INT] | | | 4 |
| | 56769 | Bitron Eco 120 W [INT] | | | 2 |
| 5 | 56405 | Bitron Eco 180 W [INT] | 49819 | Spare drop protection plate Bitr.Eco 180 | 1 |
| | 56410 | Bitron Eco 240 W [INT] | 49820 | Spare drop protection plate Bitr.Eco 240 | 1 |
| | 56769 | Bitron Eco 120 W [INT] | 49818 | Spare drop protection plate Bitr.Eco 120 | 1 |
| 6 | 56405 | Bitron Eco 180 W [INT] | 34372 | UVC lamp holder V2A Bitron Eco 180 2018 | 1 |
| | 56410 | Bitron Eco 240 W [INT] | 34373 | UVC lamp holder V2A Bitron Eco 240 2018 | 1 |
| | 56769 | Bitron Eco 120 W [INT] | 34370 | UVC lamp holder V2A Bitron Eco 120 2018 | 1 |
| 7 | 56405 | Bitron Eco 180 W [INT] | 30977 | ASM impeller lid Bitron Eco 120/180/240W | 1 |
| | 56410 | Bitron Eco 240 W [INT] | | | |
| | 56769 | Bitron Eco 120 W [INT] | | | |
| 8 | 56405 | Bitron Eco 180 W [INT] | 22804 | O-Ring FKM 130 x 3 SH50 A | 1 |
| | 56410 | Bitron Eco 240 W [INT] | | | |
| | 56769 | Bitron Eco 120 W [INT] | | | |
| 9 | 56405 | Bitron Eco 180 W [INT] | 30982 | Quartz glass D89.8 x 618.8 with rim | 1 |
| | 56410 | Bitron Eco 240 W [INT] | | | |
| | 56769 | Bitron Eco 120 W [INT] | | | |
| 10 | 56405 | Bitron Eco 180 W [INT] | 73484 | O-Ring Viton 87 x 6 SH50 A greased | 1 |
| | 56410 | Bitron Eco 240 W [INT] | | | |
| | 56769 | Bitron Eco 120 W [INT] | | | |
| 11 | 56405 | Bitron Eco 180 W [INT] | 30976 | ASM clamp screw Bitron Eco 120/180/240 W | 1 |
| | 56410 | Bitron Eco 240 W [INT] | | | |
| | 56769 | Bitron Eco 120 W [INT] | | | |
| 12 | 56405 | Bitron Eco 180 W [INT] | 30437 | Cleaning impeller Bitron Eco120/180/240W | 1 |
| | 56410 | Bitron Eco 240 W [INT] | | | |
| | 56769 | Bitron Eco 120 W [INT] | | | |
| 13 | 56405 | Bitron Eco 180 W [INT] | 30478 | Additional pack Bitron Eco | 1 |
| | 56410 | Bitron Eco 240 W [INT] | | | |
| | 56769 | Bitron Eco 120 W [INT] | | | |
| 14 | 56405 | Bitron Eco 180 W [INT] | 30912 | Membrane holder Bitron Eco | 1 |
| | 56410 | Bitron Eco 240 W [INT] | | | |
| | 56769 | Bitron Eco 120 W [INT] | | | |
| 15 | 56405 | Bitron Eco 180 W [INT] | 37521 | Bypass membrane Bitron Eco 180 W | 1 |
| | 56410 | Bitron Eco 240 W [INT] | 37522 | Bypass membrane Bitron Eco 240 W | 1 |
| | 56769 | Bitron Eco 120 W [INT] | 30998 | Bypass membrane Bitron Eco 120 W | 1 |
| 16 | 56405 | Bitron Eco 180 W [INT] | 30981 | Spare housing Bitron Eco 120/180/240 W | 1 |
| | 56410 | Bitron Eco 240 W [INT] | | | |
| | 56769 | Bitron Eco 120 W [INT] | | | |

| Item no. | Product |
|----------|---------------|
| 56368 | Bitron C 36 W |
| 56620 | Bitron C 24 W |
| 56624 | Bitron C 55 W |



| Pos. | Item no. Product | Product | Item no. Spare part | Spare part | Number |
|------|---------------------|---------------------|------------------------|--|--------|
| 1 | 56368 | Bitron C 36 W [INT] | 55432 | Replacement bulb UVC 36 W | 1 |
| | 56620 | Bitron C 24 W [INT] | 56237 | Replacement bulb UVC 24 W | 1 |
| | 56624 | Bitron C 55 W [INT] | 56636 | Replacement bulb UVC 55 W | 1 |
| 2 | 56368 | Bitron C 36 W [INT] | 42218 | Spare cleaning impeller Bitron C 36 / 55 | 1 |
| | 56620 | Bitron C 24 W [INT] | 42217 | Spare cleaning impeller Bitron C 18 / 24 | 1 |
| | 56624 | Bitron C 55 W [INT] | 42218 | Spare cleaning impeller Bitron C 36 / 55 | 1 |
| 3 | 56368 | Bitron C 36 W [INT] | 35112 | Spare housing Bitron C 36 / 55 | 1 |
| | 56620 | Bitron C 24 W [INT] | 35111 | Spare housing Bitron C 18 / 24 | 1 |
| | 56624 | Bitron C 55 W [INT] | 35112 | Spare housing Bitron C 36 / 55 | 1 |
| 4 | 56368 | Bitron C 36 W [INT] | 35028 | Foot Bitron C 18 / 24 / 36 / 55 | 2 |
| | 56620 | Bitron C 24 W [INT] | | | |
| | 56624 | Bitron C 55 W [INT] | | | |
| 5 | 56368 | Bitron C 36 W [INT] | 22853 | Oval head screw CH-V2A DIN 7981 4.8x19 | 4 |
| | 56620 | Bitron C 24 W [INT] | | | |
| | 56624 | Bitron C 55 W [INT] | | | |
| 6 | 56368 | Bitron C 36 W [INT] | 35091 | Additional pack Bitron C 36/55/72/110 | 1 |
| | 56620 | Bitron C 24 W [INT] | 35090 | Additional pack Bitron C 18 / 24 | 1 |
| | 56624 | Bitron C 55 W [INT] | 35091 | Additional pack Bitron C 36/55/72/110 | 1 |
| 7 | 56368 | Bitron C 36 W [INT] | 35092 | Additional pack Bitron C 18-110 | 1 |
| | 56620 | Bitron C 24 W [INT] | | | |
| | 56624 | Bitron C 55 W [INT] | | | |
| 8 | 56368 | Bitron C 36 W [INT] | 35113 | ASM clamp screw Bitron C | 1 |
| | 56620 | Bitron C 24 W [INT] | | | |
| | 56624 | Bitron C 55 W [INT] | | | |
| 9 | 56368 | Bitron C 36 W [INT] | 13326 | Quartz glass D44 x 517 without rim | 1 |
| | 56620 | Bitron C 24 W [INT] | 13325 | Quartz glass D44 x 298 without rim | 1 |
| | 56624 | Bitron C 55 W [INT] | 13326 | Quartz glass D44 x 517 without rim | 1 |
| 10 | 56368 | Bitron C 36 W [INT] | 73486 | O-Ring Viton 42 x 5 SH50 greased | 1 |
| | 56620 | Bitron C 24 W [INT] | | | |
| | 56624 | Bitron C 55 W [INT] | | | |
| 11 | 56368 | Bitron C 36 W [INT] | 73477 | O-Ring NBR 82 x 2 SH70 greased | 1 |
| | 56620 | Bitron C 24 W [INT] | | | |
| | 56624 | Bitron C 55 W [INT] | | | |
| 12 | 56368 | Bitron C 36 W [INT] | 30985 | Spare UVC electronic Bitron C 36 2014 | 1 |
| | 56620 | Bitron C 24 W [INT] | 30951 | Spare UVC electronic Bitron C 24 2014 | 1 |
| | 56624 | Bitron C 55 W [INT] | 30989 | Spare UVC electronic Bitron C 55 2014 | 1 |
| 13 | 56368 | Bitron C 36 W [INT] | 30911 | Spare UVC cpl. unit Bitron C 36 2014 | 1 |
| | 56620 | Bitron C 24 W [INT] | 30909 | Spare UVC cpl. unit Bitron C 24 2014 | 1 |
| | 56624 | Bitron C 55 W [INT] | 30913 | Spare UVC cpl. unit Bitron C 55 2014 | 1 |

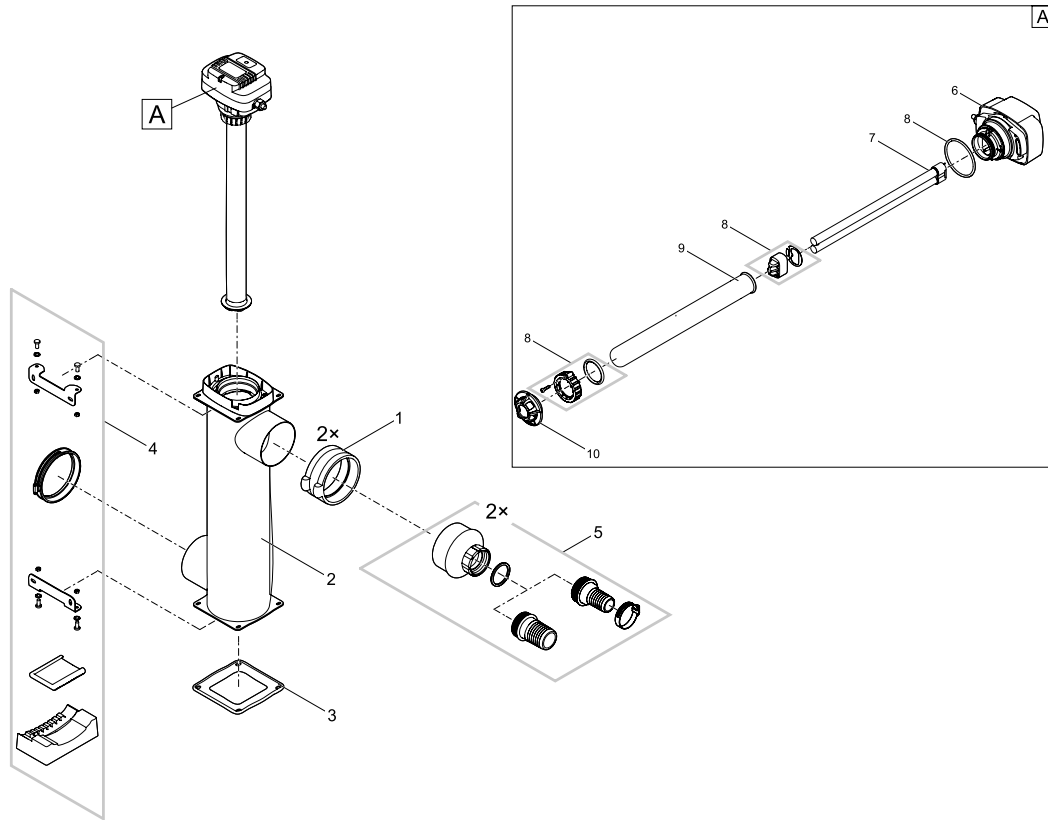
| Item no. | Product |
|----------|----------------|
| 56799 | Bitron C 36 W |
| 56804 | Bitron C 24 W |
| 56823 | Bitron C 55 W |
| 56901 | Bitron C 72 W |
| 56902 | Bitron C 110 W |



| Pos. | Item no. Product | Product | Item no. Spare part | Spare part | Number |
|------|---------------------|----------------------|------------------------|--|--------|
| 1 | 56799 | Bitron C 36 W [INT] | 30911 | Spare UVC cpl. unit Bitron C 36 2014 | 1 |
| | 56804 | Bitron C 24 W [INT] | 30909 | Spare UVC cpl. unit Bitron C 24 2014 | 1 |
| | 56823 | Bitron C 55 W [INT] | 30913 | Spare UVC cpl. unit Bitron C 55 2014 | 1 |
| | 56901 | Bitron C 72 W [INT] | 30919 | Spare UVC cpl. unit Bitron C 72 2014 | 1 |
| | 56902 | Bitron C 110 W [INT] | 30922 | Spare UVC cpl. unit Bitron C 110 2014 | 1 |
| 2 | 56799 | Bitron C 36 W [INT] | 30985 | Spare UVC electronic Bitron C 36 2014 | 1 |
| | 56804 | Bitron C 24 W [INT] | 30951 | Spare UVC electronic Bitron C 24 2014 | 1 |
| | 56823 | Bitron C 55 W [INT] | 30989 | Spare UVC electronic Bitron C 55 2014 | 1 |
| | 56901 | Bitron C 72 W [INT] | 30997 | Spare UVC electronic Bitron C 72 2014 | 1 |
| | 56902 | Bitron C 110 W [INT] | 31002 | Spare UVC electronic Bitron C 110 2014 | 1 |
| 3 | 56799 | Bitron C 36 W [INT] | | | |
| | 56804 | Bitron C 24 W [INT] | 73477 | O-Ring NBR 82 x 2 SH70 greased | 1 |
| | 56823 | Bitron C 55 W [INT] | | | |
| | 56901 | Bitron C 72 W [INT] | 73488 | O-Ring NBR 102 x 3 SH50 A greased | 1 |
| | 56902 | Bitron C 110 W [INT] | | | |
| 4 | 56799 | Bitron C 36 W [INT] | 55432 | Replacement bulb UVC 36 W | 1 |
| | 56804 | Bitron C 24 W [INT] | 56237 | Replacement bulb UVC 24 W | 1 |
| | 56823 | Bitron C 55 W [INT] | 56636 | Replacement bulb UVC 55 W | 1 |
| | 56901 | Bitron C 72 W [INT] | 55432 | Replacement bulb UVC 36 W | 2 |
| | 56902 | Bitron C 110 W [INT] | 56636 | Replacement bulb UVC 55 W | 2 |
| 5 | 56799 | Bitron C 36 W [INT] | | | |
| | 56804 | Bitron C 24 W [INT] | 24232 | Holding plate UVC-lamp Bitron18/24/36/55 | 1 |
| | 56823 | Bitron C 55 W [INT] | | | |
| | 56901 | Bitron C 72 W [INT] | 19448 | Holding plate UVC lamp | 1 |
| | 56902 | Bitron C 110 W [INT] | | | 4 |
| 6 | 56799 | Bitron C 36 W [INT] | | | |
| | 56804 | Bitron C 24 W [INT] | 30607 | UVC lamp protection Bitron C 24/36/55W | 1 |
| | 56823 | Bitron C 55 W [INT] | | | |
| | 56901 | Bitron C 72 W [INT] | 27129 | UVC lamp holder Bitron C 72 / 110 | 1 |
| | 56902 | Bitron C 110 W [INT] | | | |
| 7 | 56799 | Bitron C 36 W [INT] | 27586 | Quartz glass D44 x 504.5 with rim | 1 |
| | 56804 | Bitron C 24 W [INT] | 27579 | Quartz glass D44 x 285.5 with rim | 1 |
| | 56823 | Bitron C 55 W [INT] | 27586 | Quartz glass D44 x 504.5 with rim | 1 |
| | 56901 | Bitron C 72 W [INT] | | | |
| | 56902 | Bitron C 110 W [INT] | 13327 | Quartz glass D67.1 x 619.8 with rim | 1 |
| 8 | 56799 | Bitron C 36 W [INT] | | | |
| | 56804 | Bitron C 24 W [INT] | 73486 | O-Ring Viton 42 x 5 SH50 greased | 1 |
| | 56823 | Bitron C 55 W [INT] | | | |
| | 56901 | Bitron C 72 W [INT] | 96646 | O-Ring Viton 65 x 6 SH50 greased | 1 |
| | 56902 | Bitron C 110 W [INT] | | | |
| 9 | 56799 | Bitron C 36 W [INT] | | | |
| | 56804 | Bitron C 24 W [INT] | 35113 | ASM clamp screw Bitron C | 1 |
| | 56823 | Bitron C 55 W [INT] | | | |
| | 56901 | Bitron C 72 W [INT] | | | |
| | 56902 | Bitron C 110 W [INT] | 35330 | ASM clamp screw Bitron C 72 / 110 | 1 |

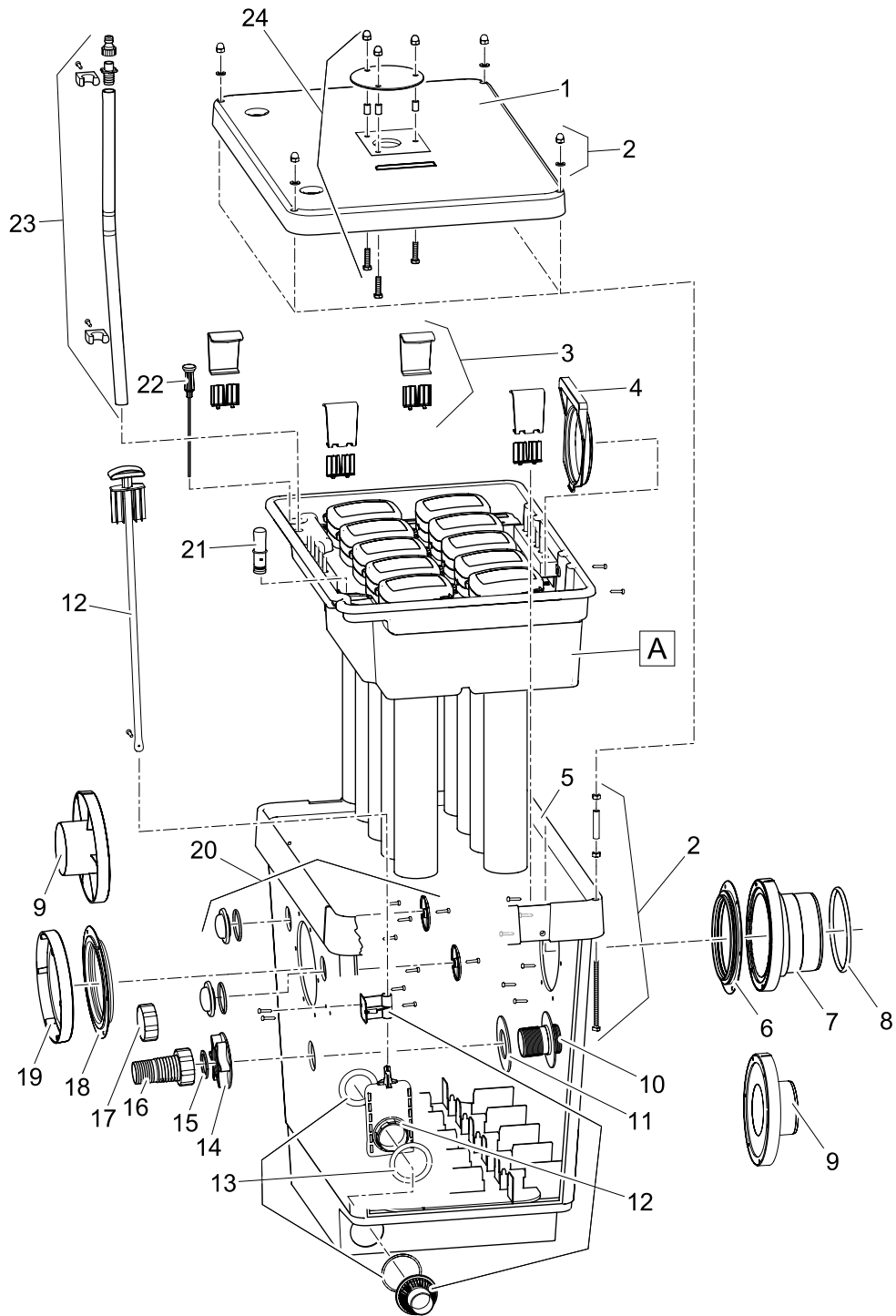
| Pos. | Item no. Product | Product | Item no. Spare part | Spare part | Number |
|------|---------------------|----------------------|------------------------|--|--------|
| 10 | 56799 | Bitron C 36 W [INT] | 42218 | Spare cleaning impeller Bitron C 36 / 55 | 1 |
| | 56804 | Bitron C 24 W [INT] | 42217 | Spare cleaning impeller Bitron C 18 / 24 | 1 |
| | 56823 | Bitron C 55 W [INT] | 42218 | Spare cleaning impeller Bitron C 36 / 55 | 1 |
| | 56901 | Bitron C 72 W [INT] | 35327 | Cleaning impeller Bitron C 72 / 110 | 1 |
| | 56902 | Bitron C 110 W [INT] | | | |
| 11 | 56799 | Bitron C 36 W [INT] | 35092 | Additional pack Bitron C 18-110 | 1 |
| | 56804 | Bitron C 24 W [INT] | | | |
| | 56823 | Bitron C 55 W [INT] | | | |
| | 56901 | Bitron C 72 W [INT] | | | |
| | 56902 | Bitron C 110 W [INT] | | | |
| 12 | 56799 | Bitron C 36 W [INT] | 22853 | Oval head screw CH-V2A DIN 7981 4.8x19 | 4 |
| | 56804 | Bitron C 24 W [INT] | | | |
| | 56823 | Bitron C 55 W [INT] | | | |
| | 56901 | Bitron C 72 W [INT] | | | |
| | 56902 | Bitron C 110 W [INT] | | | |
| 13 | 56799 | Bitron C 36 W [INT] | 35028 | Foot Bitron C 18 / 24 / 36 / 55 | 2 |
| | 56804 | Bitron C 24 W [INT] | | | |
| | 56823 | Bitron C 55 W [INT] | | | |
| | 56901 | Bitron C 72 W [INT] | | | |
| | 56902 | Bitron C 110 W [INT] | | | |
| 14 | 56799 | Bitron C 36 W [INT] | 35112 | Spare housing Bitron C 36 / 55 | 1 |
| | 56804 | Bitron C 24 W [INT] | 35111 | Spare housing Bitron C 18 / 24 | 1 |
| | 56823 | Bitron C 55 W [INT] | 35112 | Spare housing Bitron C 36 / 55 | 1 |
| | 56901 | Bitron C 72 W [INT] | 35329 | Spare housing Bitron C 72 / 110 | 1 |
| | 56902 | Bitron C 110 W [INT] | | | |
| 15 | 56799 | Bitron C 36 W [INT] | 35091 | Additional pack Bitron C 36/55/72/110 | 1 |
| | 56804 | Bitron C 24 W [INT] | 35090 | Additional pack Bitron C 18 / 24 | 1 |
| | 56823 | Bitron C 55 W [INT] | 35091 | Additional pack Bitron C 36/55/72/110 | 1 |
| | 56901 | Bitron C 72 W [INT] | | | |
| | 56902 | Bitron C 110 W [INT] | | | |
| 16 | 56799 | Bitron C 36 W [INT] | 47817 | ASM Locking I.Bitron C 18/24/36/55W 2016 | 1 |
| | 56804 | Bitron C 24 W [INT] | | | |
| | 56823 | Bitron C 55 W [INT] | | | |
| | 56901 | Bitron C 72 W [INT] | | | |
| | 56902 | Bitron C 110 W [INT] | | | |

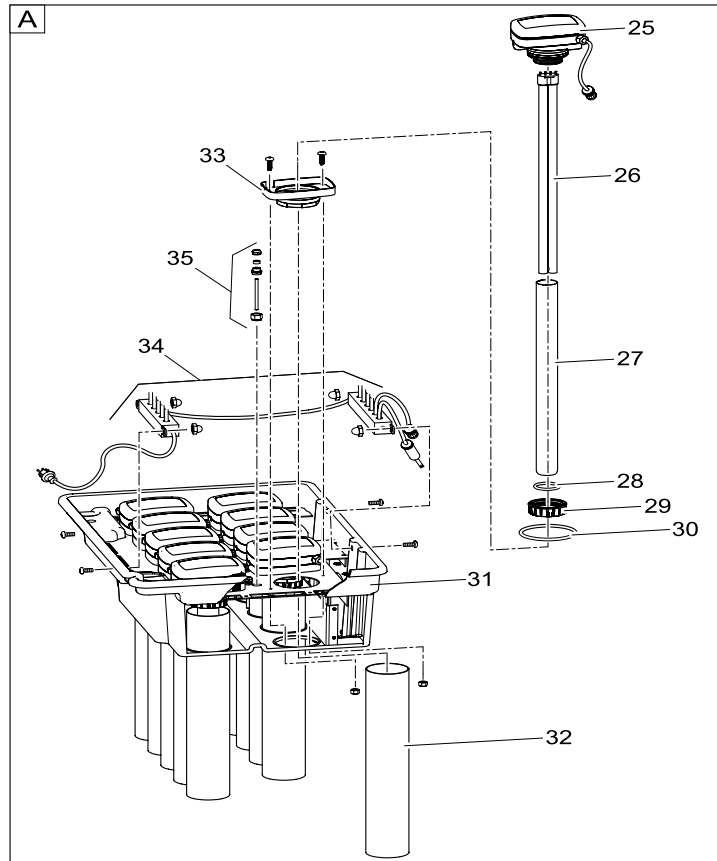
| Item no. | Product |
|----------|---------------------|
| 50946 | Bitron Gravity 55 W |



| Pos. | Item no. Product | Product | Item no. Spare part | Spare part | Number |
|------|------------------|---------------------------|---------------------|---|--------|
| 1 | 50946 | Bitron Gravity 55 W [INT] | 18122 | Coupling 4" to 4" | 1 |
| 2 | 50946 | Bitron Gravity 55 W [INT] | 18789 | Spare water housing Bitron Gravity | 1 |
| 3 | 50946 | Bitron Gravity 55 W [INT] | 18656 | Rubber pad Bitron Gravity | 1 |
| 4 | 50946 | Bitron Gravity 55 W [INT] | 18107 | Additional pack Bitron Gravity | 1 |
| 5 | 50946 | Bitron Gravity 55 W [INT] | 18127 | Adapter kit hose Bitron Gravity | 1 |
| 6 | 50946 | Bitron Gravity 55 W [INT] | 17890 | ASM lamp head Bitron Gravity 55 | 1 |
| 7 | 50946 | Bitron Gravity 55 W [INT] | 56636 | Replacement bulb UVC 55 W | 1 |
| 8 | 50946 | Bitron Gravity 55 W [INT] | 16031 | Spare part clamp bolt setFiltroClear12-30 | 1 |
| 9 | 50946 | Bitron Gravity 55 W [INT] | 13331 | Quartz glass D44 x 518 with rim | 1 |
| 10 | 50946 | Bitron Gravity 55 W [INT] | 17889 | Transport protection Bitron | 1 |

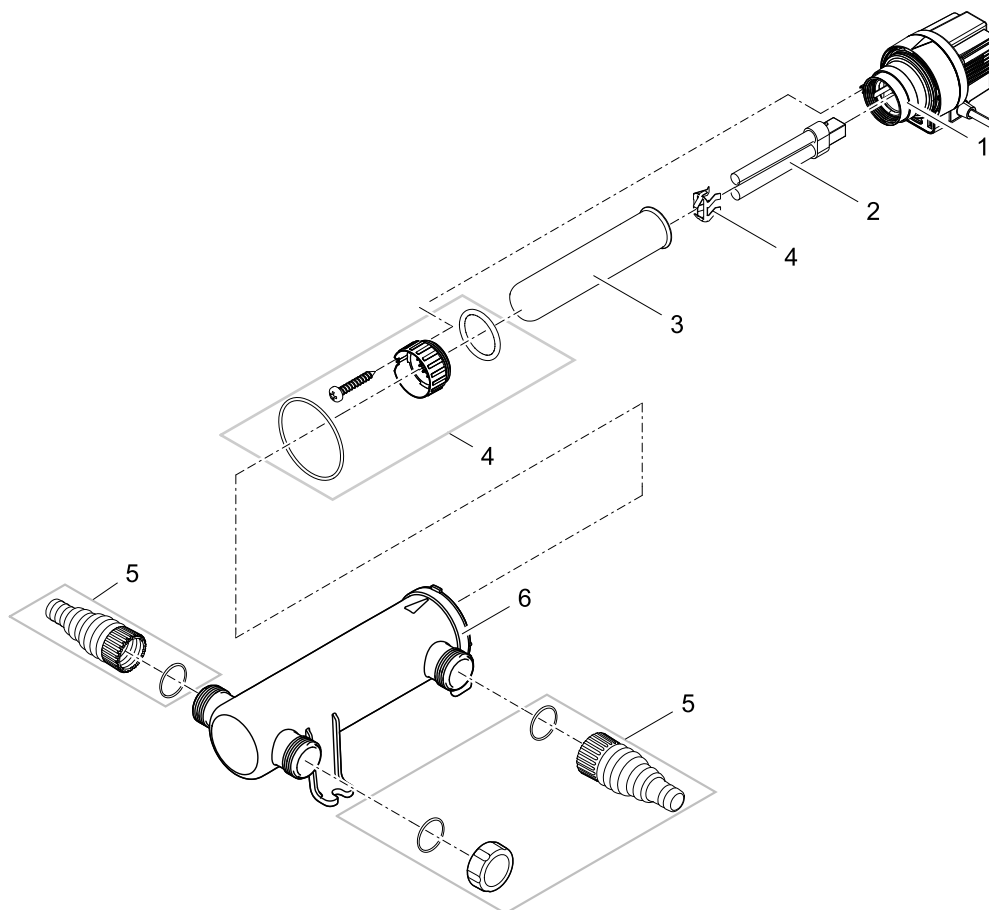
| Item no. | Product |
|----------|--------------|
| 57478 | Bitron 550 W |





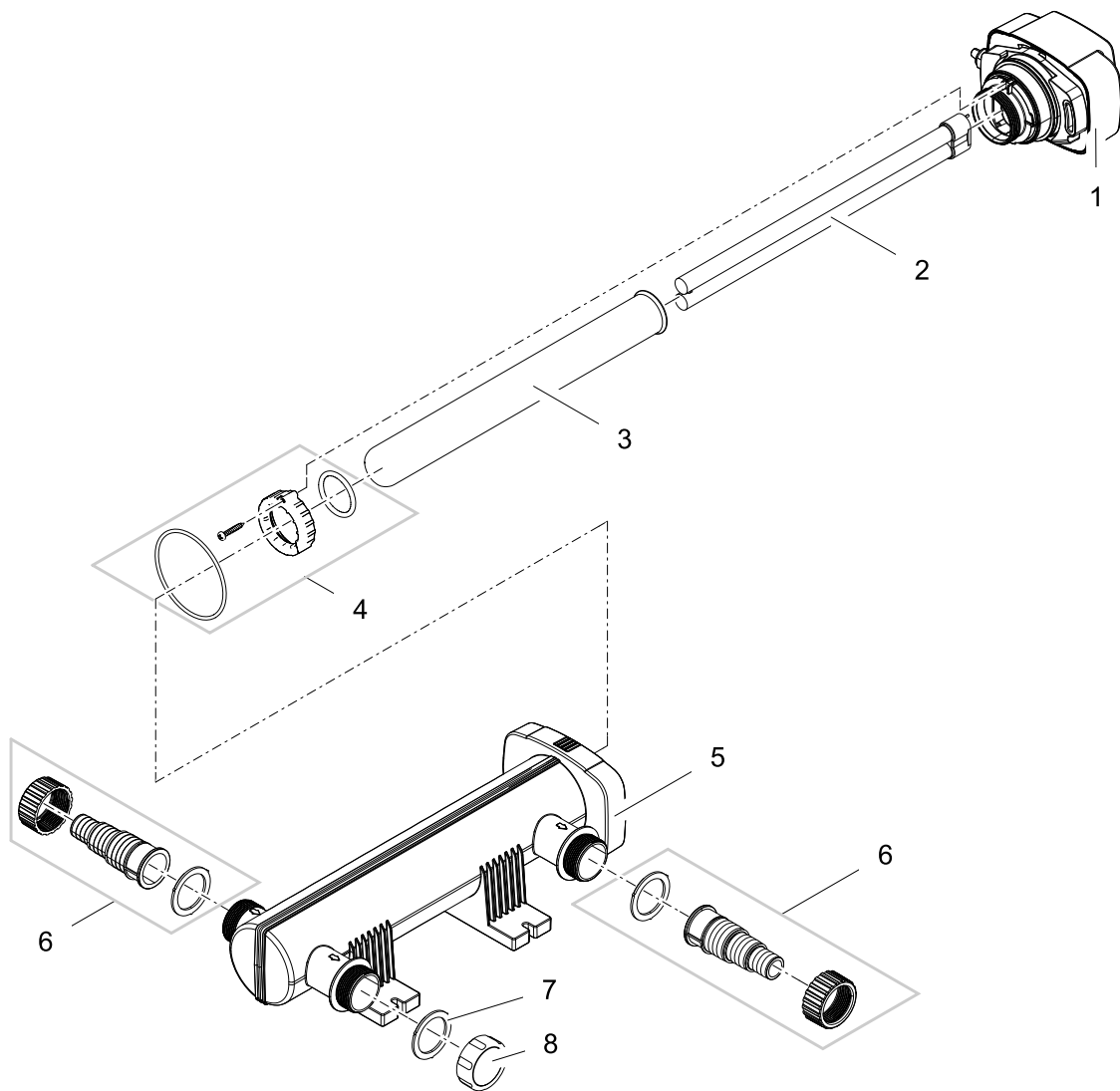
| Pos. | Item no. Product | Product | Item no. Spare part | Spare part | Number |
|------|------------------|--------------------|---------------------|---|--------|
| 3 | 57478 | Bitron 550 W [INT] | 35408 | Spare clip inner lid 1 + 2 ProfiClear | 1 |
| 4 | 57478 | Bitron 550 W [INT] | 26960 | Outlet grid ProfiClear M 2 - M 5 | 1 |
| 5 | 57478 | Bitron 550 W [INT] | 18412 | Filter box ProfiCl. Clas. filter module | 1 |
| 6 | 57478 | Bitron 550 W [INT] | 43756 | Gasket mesh tube 2016 | 1 |
| 7 | 57478 | Bitron 550 W [INT] | 26958 | Outlet 150/1 ProfiClear M 2 - M 5 | 1 |
| 8 | 57478 | Bitron 550 W [INT] | 27669 | O-Ring NBR 156 x 10 SH70 | 1 |
| 9 | 57478 | Bitron 550 W [INT] | 26963 | Intake 100 | 1 |
| 10 | 57478 | Bitron 550 W [INT] | 27358 | Grommet 2" | 1 |
| 11 | 57478 | Bitron 550 W [INT] | 27360 | flat gasket 115x60x3,5 70Sh | 1 |
| 12 | 57478 | Bitron 550 W [INT] | 35406 | Spare drain ASM ProfiClear | 1 |
| 13 | 57478 | Bitron 550 W [INT] | 34859 | Gasket set outlet BioTec 12-18 / M1-M5 | 1 |
| 14 | 57478 | Bitron 550 W [INT] | 27359 | wing nut 2" | 1 |
| 15 | 57478 | Bitron 550 W [INT] | 24192 | Flat gasket grommet 2" D56.3 x 3 | 1 |
| 16 | 57478 | Bitron 550 W [INT] | 35585 | assembly hose connection Optimax | 1 |
| 17 | 57478 | Bitron 550 W [INT] | 25993 | Screw cap 2" | 1 |
| 19 | 57478 | Bitron 550 W [INT] | 27175 | Plug 150 ProfiClear | 1 |
| 20 | 57478 | Bitron 550 W [INT] | 35570 | Replacement Plug | 1 |
| 21 | 57478 | Bitron 550 W [INT] | 35409 | Spare water level indicator ProfiClear | 1 |
| 23 | 57478 | Bitron 550 W [INT] | 35411 | Spare spray unit ProfiClear | 1 |
| 25 | 57478 | Bitron 550 W [INT] | 35916 | electrical assembly Bitron 550 UVC | 1 |
| 26 | 57478 | Bitron 550 W [INT] | 56636 | Replacement bulb UVC 55 W | 1 |
| 27 | 57478 | Bitron 550 W [INT] | 13326 | Quartz glass D44 x 517 without rim | 1 |
| 28 | 57478 | Bitron 550 W [INT] | 73486 | O-Ring Viton 42 x 5 SH50 greased | 1 |
| 29 | 57478 | Bitron 550 W [INT] | 35113 | ASM clamp screw Bitron C | 1 |

| Item no. | Product |
|----------|------------------|
| 57370 | Vitronic 11 W |
| 88108 | Vitronic 11 W |
| 50588 | GB Vitronic 11 W |



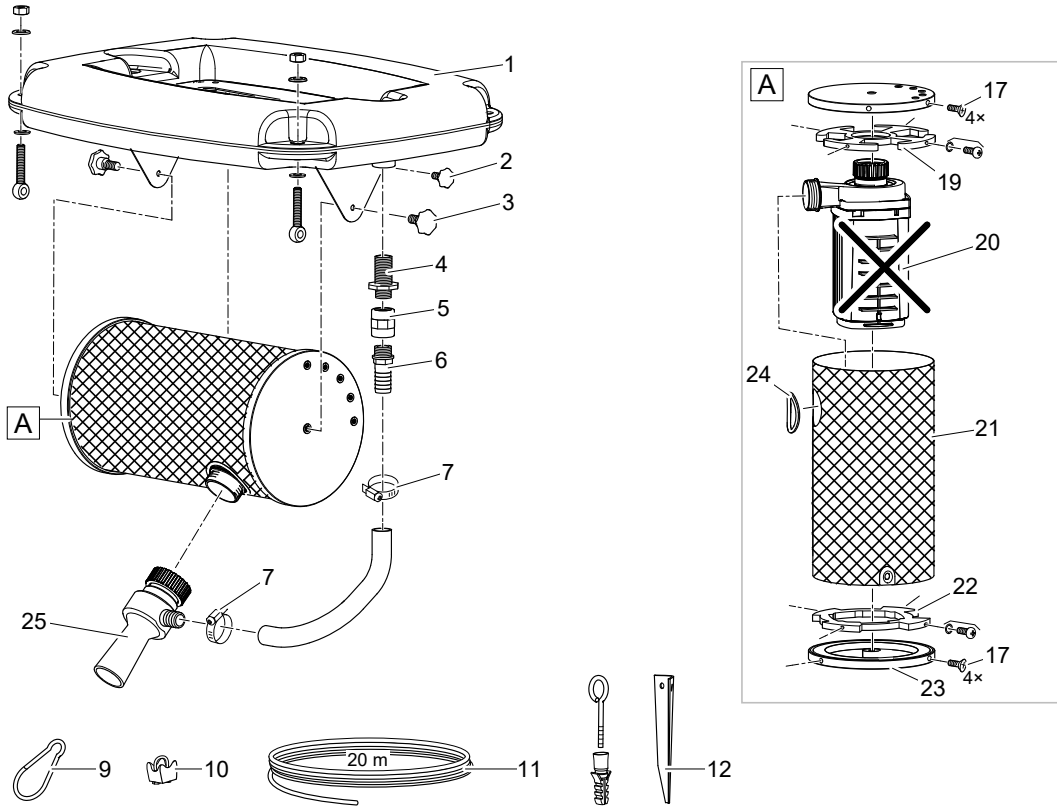
| Pos. | Item no. Product | Product | Item no. Spare part | Spare part | Number |
|------|------------------|---------------------|---------------------|---|--------|
| 1 | 50588 | Vitronic 11 W [GB] | | | |
| | 57370 | Vitronic 11 W [INT] | 15665 | ASM UVC 7 / 9 / 11 W 2011 | 1 |
| | 88108 | Vitronic 11 W [INT] | | | |
| 2 | 50588 | Vitronic 11 W [GB] | | | |
| | 57370 | Vitronic 11 W [INT] | 56112 | Replacement bulb UVC 11 W | 1 |
| | 88108 | Vitronic 11 W [INT] | | | |
| 3 | 50588 | Vitronic 11 W [GB] | | | |
| | 57370 | Vitronic 11 W [INT] | 13312 | Quartz glass D33 x 200 with rim | 1 |
| | 88108 | Vitronic 11 W [INT] | | | |
| 4 | 50588 | Vitronic 11 W [GB] | | | |
| | 57370 | Vitronic 11 W [INT] | 15535 | Spare part clip bolt set UVC 7 / 9 / 11 | 1 |
| | 88108 | Vitronic 11 W [INT] | | | |
| 5 | 50588 | Vitronic 11 W [GB] | | | |
| | 57370 | Vitronic 11 W [INT] | 27576 | Spare part set UVC-cleaner 7 / 9 / 11 W | 1 |
| | 88108 | Vitronic 11 W [INT] | | | |
| 6 | 50588 | Vitronic 11 W [GB] | | | |
| | 57370 | Vitronic 11 W [INT] | 26940 | Water housing UVC 7 / 9 / 11 W | 1 |
| | 88108 | Vitronic 11 W [INT] | 88470 | Water housing Vitronic 11 W | 1 |

| Item no. | Product |
|----------|------------------|
| 56837 | Vitronic 18 W |
| 56869 | Vitronic 24 W |
| 56885 | Vitronic 36 W |
| 57373 | Vitronic 55 W |
| 50591 | GB Vitronic 55 W |

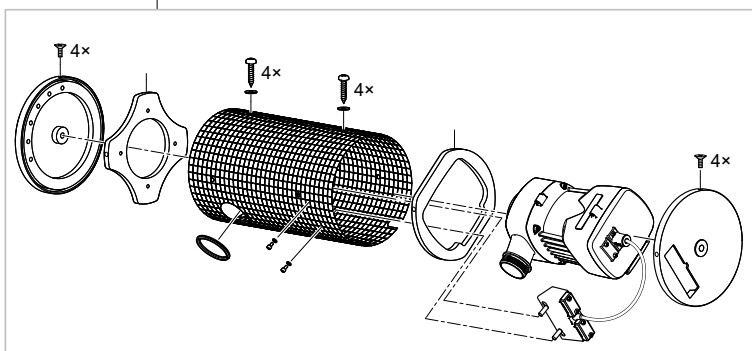


| Pos. | Item no. Product | Product | Item no. Spare part | Spare part | Number |
|------|---------------------|---------------------|------------------------|--|--------|
| 1 | 50591 | Vitronic 55 W [GB] | 35841 | Spare UVC electronics Vitronic 55 W | 1 |
| | 56837 | Vitronic 18 W [INT] | 35839 | Spare UVC electronics Vitronic 18 W | 1 |
| | 56869 | Vitronic 24 W [INT] | 22219 | Spare UVC electronics Vitronic 24 W | 1 |
| | 56885 | Vitronic 36 W [INT] | 35840 | Spare UVC electronics Vitronic 36 W | 1 |
| | 57373 | Vitronic 55 W [INT] | 35841 | Spare UVC electronics Vitronic 55 W | 1 |
| 2 | 50591 | Vitronic 55 W [GB] | 56636 | Replacement bulb UVC 55 W | 1 |
| | 56837 | Vitronic 18 W [INT] | 56236 | Replacement bulb UVC 18 W | 1 |
| | 56869 | Vitronic 24 W [INT] | 56237 | Replacement bulb UVC 24 W | 1 |
| | 56885 | Vitronic 36 W [INT] | 55432 | Replacement bulb UVC 36 W | 1 |
| | 57373 | Vitronic 55 W [INT] | 56636 | Replacement bulb UVC 55 W | 1 |
| 3 | 50591 | Vitronic 55 W [GB] | 13331 | Quartz glass D44 x 518 with rim | 1 |
| | 56837 | Vitronic 18 W [INT] | | | |
| | 56869 | Vitronic 24 W [INT] | 21763 | Quartz glass D44 x 398 with rim | 1 |
| | 56885 | Vitronic 36 W [INT] | | | |
| 4 | 57373 | Vitronic 55 W [INT] | 13331 | Quartz glass D44 x 518 with rim | 1 |
| | 50591 | Vitronic 55 W [GB] | | | |
| | 56837 | Vitronic 18 W [INT] | | | |
| | 56869 | Vitronic 24 W [INT] | 15748 | Spare part clip bolt set UVC 18/ 36/ 55 | 1 |
| | 56885 | Vitronic 36 W [INT] | | | |
| 5 | 57373 | Vitronic 55 W [INT] | | | |
| | 50591 | Vitronic 55 W [GB] | 35797 | ASM waterhousing Vitronic 36 / 55 W | 1 |
| | 56837 | Vitronic 18 W [INT] | | | |
| | 56869 | Vitronic 24 W [INT] | 22206 | ASM waterhousing Vitronic 18 / 24 / 36 W | 1 |
| | 56885 | Vitronic 36 W [INT] | | | |
| 6 | 57373 | Vitronic 55 W [INT] | 35797 | ASM waterhousing Vitronic 36 / 55 W | 1 |
| | 50591 | Vitronic 55 W [GB] | | | |
| | 56837 | Vitronic 18 W [INT] | | | |
| | 56869 | Vitronic 24 W [INT] | 35877 | Additional pack Tronic | 1 |
| 7 | 56885 | Vitronic 36 W [INT] | | | |
| | 57373 | Vitronic 55 W [INT] | | | |
| | 50591 | Vitronic 55 W [GB] | | | |
| | 56837 | Vitronic 18 W [INT] | | | |
| | 56869 | Vitronic 24 W [INT] | 19491 | Flat gasket hose tail 1 1/2" | 1 |
| 8 | 56885 | Vitronic 36 W [INT] | | | |
| | 57373 | Vitronic 55 W [INT] | | | |
| | 50591 | Vitronic 55 W [GB] | 29421 | Inspection glass Vitronic | 1 |
| | 56837 | Vitronic 18 W [INT] | | | |
| | 56869 | Vitronic 24 W [INT] | 15445 | Cap nut 20 mm G 1 1/2" | 1 |
| | 56885 | Vitronic 36 W [INT] | | | |
| | 57373 | Vitronic 55 W [INT] | 29421 | Inspection glass Vitronic | 1 |

| Item no. | Product |
|----------|-------------|
| 57479 | AquaAir 250 |

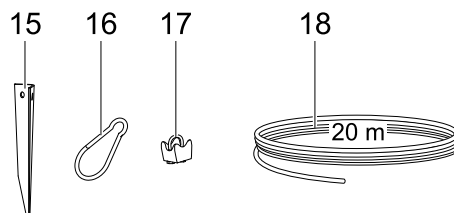
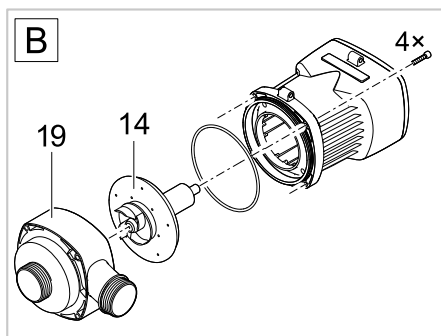
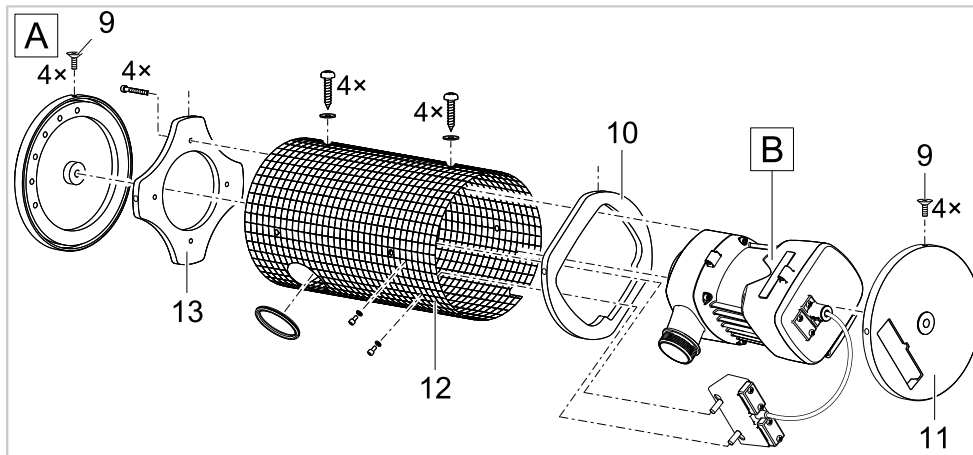
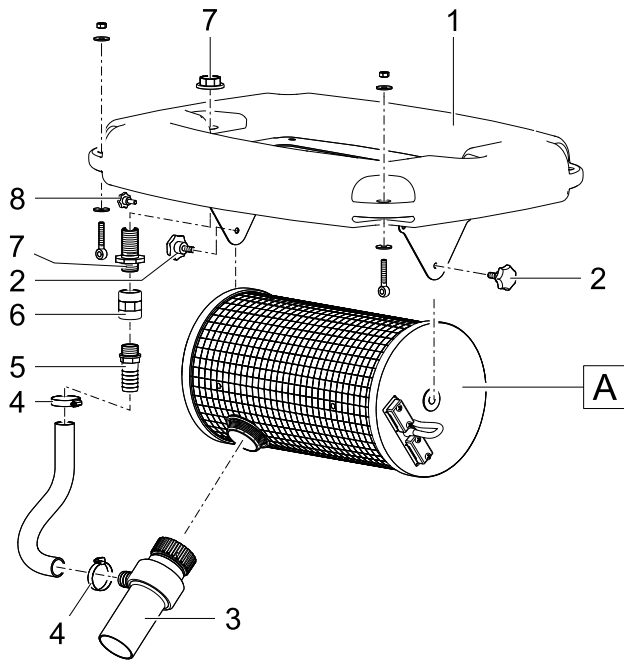


26 (Update: 57479 AquaAir 250 87157 AquaAir Eco 250)



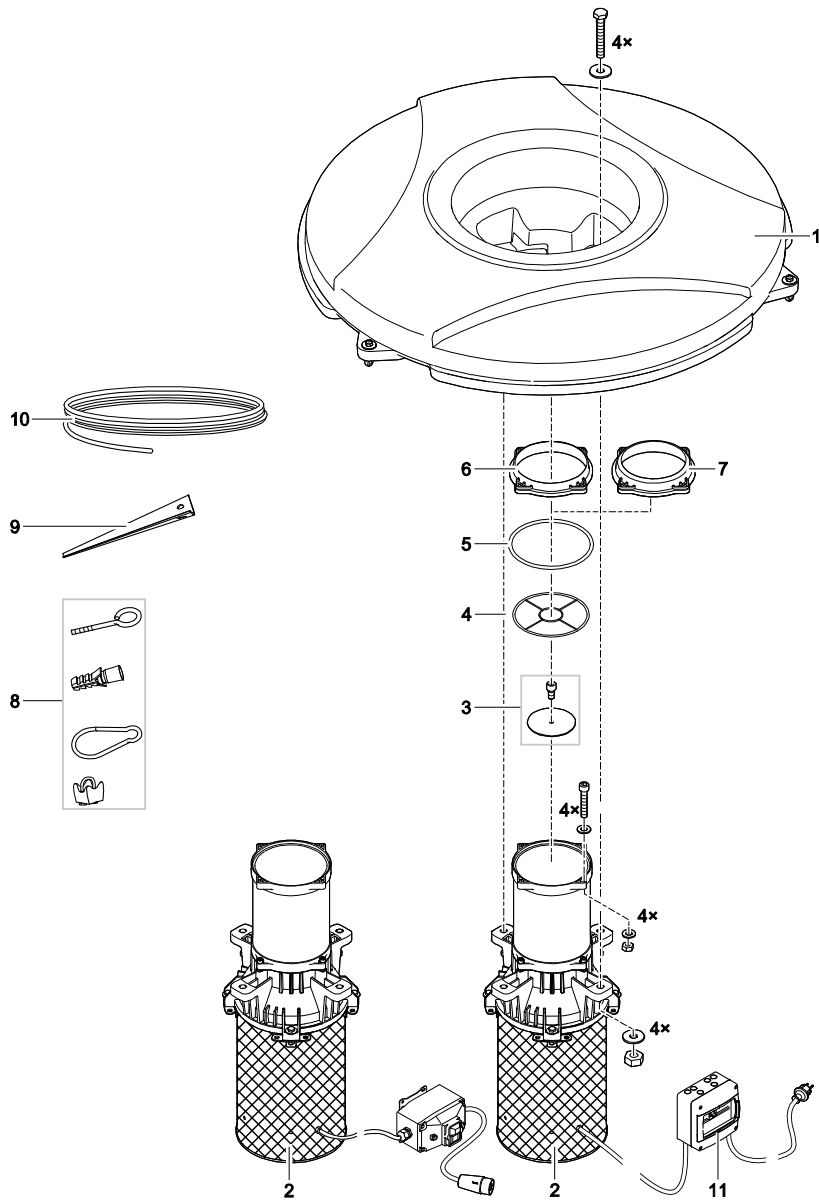
| Pos. | Item no. Product | Product | Item no. Spare part | Spare part | Number |
|------|---------------------|-------------------|------------------------|---|--------|
| 1 | 57479 | AquaAir 250 [INT] | 29786 | Float 18 l | 1 |
| 2 | 57479 | AquaAir 250 [INT] | 30089 | Handle srew M6 x 20 | 2 |
| 3 | 57479 | AquaAir 250 [INT] | 30088 | Handle srew M8 x 20 | 1 |
| 4 | 57479 | AquaAir 250 [INT] | 30086 | Bushing 3/4" incl. nut | 1 |
| 5 | 57479 | AquaAir 250 [INT] | 30094 | Double bush IG 3/4" | 1 |
| 6 | 57479 | AquaAir 250 [INT] | 30090 | Hose adapter 3/4" | 1 |
| 7 | 57479 | AquaAir 250 [INT] | 11818 | Hose clamp 20 - 32 mm | 1 |
| 9 | 57479 | AquaAir 250 [INT] | 16941 | Stainless steel carabiner 60 x 6 | 1 |
| 10 | 57479 | AquaAir 250 [INT] | 30117 | Stainless steel screw clamp 3 mm | 1 |
| 11 | 57479 | AquaAir 250 [INT] | 30119 | Wire robe stainless steel 3 mm x 20 m | 1 |
| 12 | 57479 | AquaAir 250 [INT] | 30128 | Fastener 450 | 2 |
| 17 | 57479 | AquaAir 250 [INT] | 27589 | Countersunk screw V2A DIN 7982 4.8 x 19 | 8 |
| 19 | 57479 | AquaAir 250 [INT] | 35895 | Pump housing holder AquaAir 250 | 1 |
| 20 | 57479 | AquaAir 250 [INT] | 90490 | Service Pack AquaAir Eco 250 | 1 |
| 21 | 57479 | AquaAir 250 [INT] | 35892 | Drum perforated sheet machined | 1 |
| 22 | 57479 | AquaAir 250 [INT] | 35894 | Motor holder | 1 |
| 23 | 57479 | AquaAir 250 [INT] | 29979 | Outer lid | 1 |
| 25 | 57479 | AquaAir 250 [INT] | 10189 | ASM injector complete | 1 |

| Item no. | Product |
|----------|-----------------|
| 87157 | AquaAir Eco 250 |



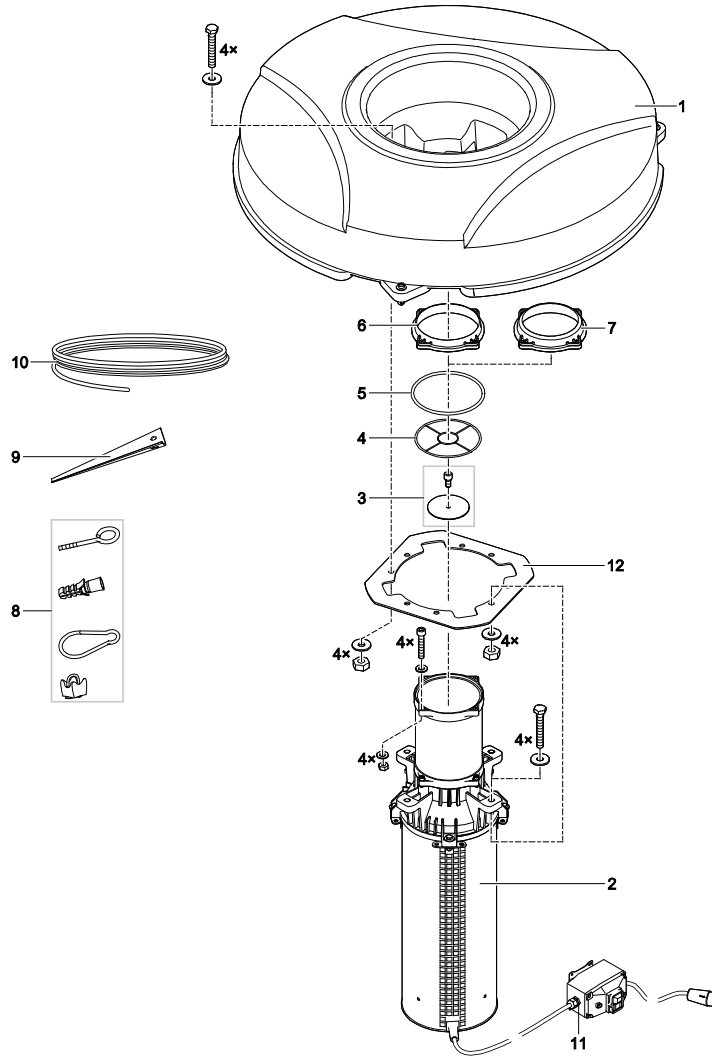
| Pos. | Item no. Product | Product | Item no. Spare part | Spare part | Number |
|------|---------------------|-----------------------|------------------------|--|--------|
| 1 | 87157 | AquaAir Eco 250 [INT] | 29786 | Float 18 l | 1 |
| 2 | 87157 | AquaAir Eco 250 [INT] | 30088 | Handle srew M8 x 20 | 1 |
| 3 | 87157 | AquaAir Eco 250 [INT] | 10189 | ASM injector complete | 1 |
| 4 | 87157 | AquaAir Eco 250 [INT] | 11818 | Hose clamp 20 - 32 mm | 1 |
| 5 | 87157 | AquaAir Eco 250 [INT] | 30090 | Hose adapter 3/4" | 1 |
| 6 | 87157 | AquaAir Eco 250 [INT] | 30094 | Double bush IG 3/4" | 1 |
| 7 | 87157 | AquaAir Eco 250 [INT] | 30086 | Bushing 3/4" incl. nut | 1 |
| 8 | 87157 | AquaAir Eco 250 [INT] | 30089 | Handle srew M6 x 20 | 1 |
| 9 | 87157 | AquaAir Eco 250 [INT] | 27589 | Countersunk screw V2A DIN 7982 4.8 x 19 | 1 |
| 10 | 87157 | AquaAir Eco 250 [INT] | 87351 | Motor holder AquaAir 2021 | 1 |
| 11 | 87157 | AquaAir Eco 250 [INT] | 74321 | Outer lid AquaAir 250 | 1 |
| 12 | 87157 | AquaAir Eco 250 [INT] | 87352 | Drum perforated sheet machined AquaAir | 1 |
| 13 | 87157 | AquaAir Eco 250 [INT] | 87348 | Pump housing holder AquaAir 2021 | 1 |
| 14 | 87157 | AquaAir Eco 250 [INT] | 40508 | Spare rotor AquaMax Eco Exp. 21000-26000 | 1 |
| 15 | 87157 | AquaAir Eco 250 [INT] | 30128 | Fastener 450 | 1 |
| 16 | 87157 | AquaAir Eco 250 [INT] | 16941 | Stainless steel carabiner 60 x 6 | 1 |
| 17 | 87157 | AquaAir Eco 250 [INT] | 30117 | Stainless steel screw clamp 3 mm | 1 |
| 18 | 87157 | AquaAir Eco 250 [INT] | 30119 | Wire robe stainless steel 3 mm x 20 m | 1 |
| 19 | 87157 | AquaAir Eco 250 [INT] | 37837 | ASM pump housing AquaMax Eco Exp. 26000 | 1 |
| B | 87157 | AquaAir Eco 250 [INT] | 87343 | ASM AquaMax Eco Expert 26000 AquaAir | 1 |

| Item no. | Product |
|----------|-----------------------|
| 50183 | AirFlo 1.5 kW / 230 V |



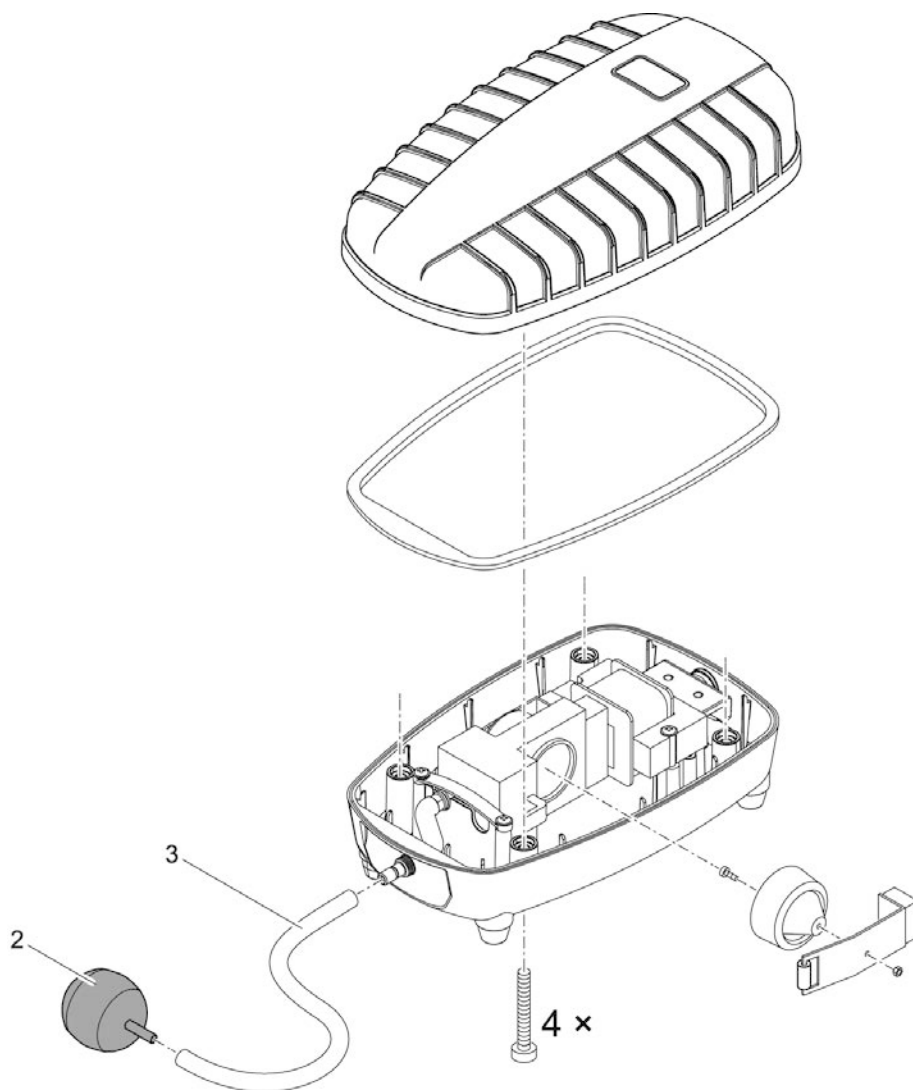
| Pos. | Item no. Product | Product | Item no. Spare part | Spare part | Number |
|------|------------------|-----------------------------|---------------------|---|--------|
| 1 | 50183 | AirFlo 1.5 kW / 230 V [INT] | 10862 | Float 90 l | 1 |
| 2 | 50183 | AirFlo 1.5 kW / 230 V [INT] | 11517 | ASM motor section AirFlo 1.5 kW / 230 V | 1 |
| 3 | 50183 | AirFlo 1.5 kW / 230 V [INT] | 41934 | Spare disc AirFlo 110 mm | 1 |
| 4 | 50183 | AirFlo 1.5 kW / 230 V [INT] | 11131 | Protective grating riser pipe | 1 |
| 5 | 50183 | AirFlo 1.5 kW / 230 V [INT] | 11805 | O-Ring NBR 155 x 2.5 SH70 | 1 |
| 6 | 50183 | AirFlo 1.5 kW / 230 V [INT] | 10350 | Nozzle D138 | 1 |
| 7 | 50183 | AirFlo 1.5 kW / 230 V [INT] | 11494 | Nozzle D120 | 1 |
| 8 | 50183 | AirFlo 1.5 kW / 230 V [INT] | 11414 | Additional pack small parts LM 3P | 1 |
| 9 | 50183 | AirFlo 1.5 kW / 230 V [INT] | 30128 | Fastener 450 | 1 |
| 10 | 50183 | AirFlo 1.5 kW / 230 V [INT] | 11203 | Wire rope stainless steel 3 mm x 30 m | 1 |
| 11 | 50183 | AirFlo 1.5 kW / 230 V [INT] | 42136 | Spare part starter box 1.5 kW / 230 V | 1 |

| Item no. | Product |
|----------|-----------------------|
| 50185 | AirFlo 4.0 kW / 400 V |



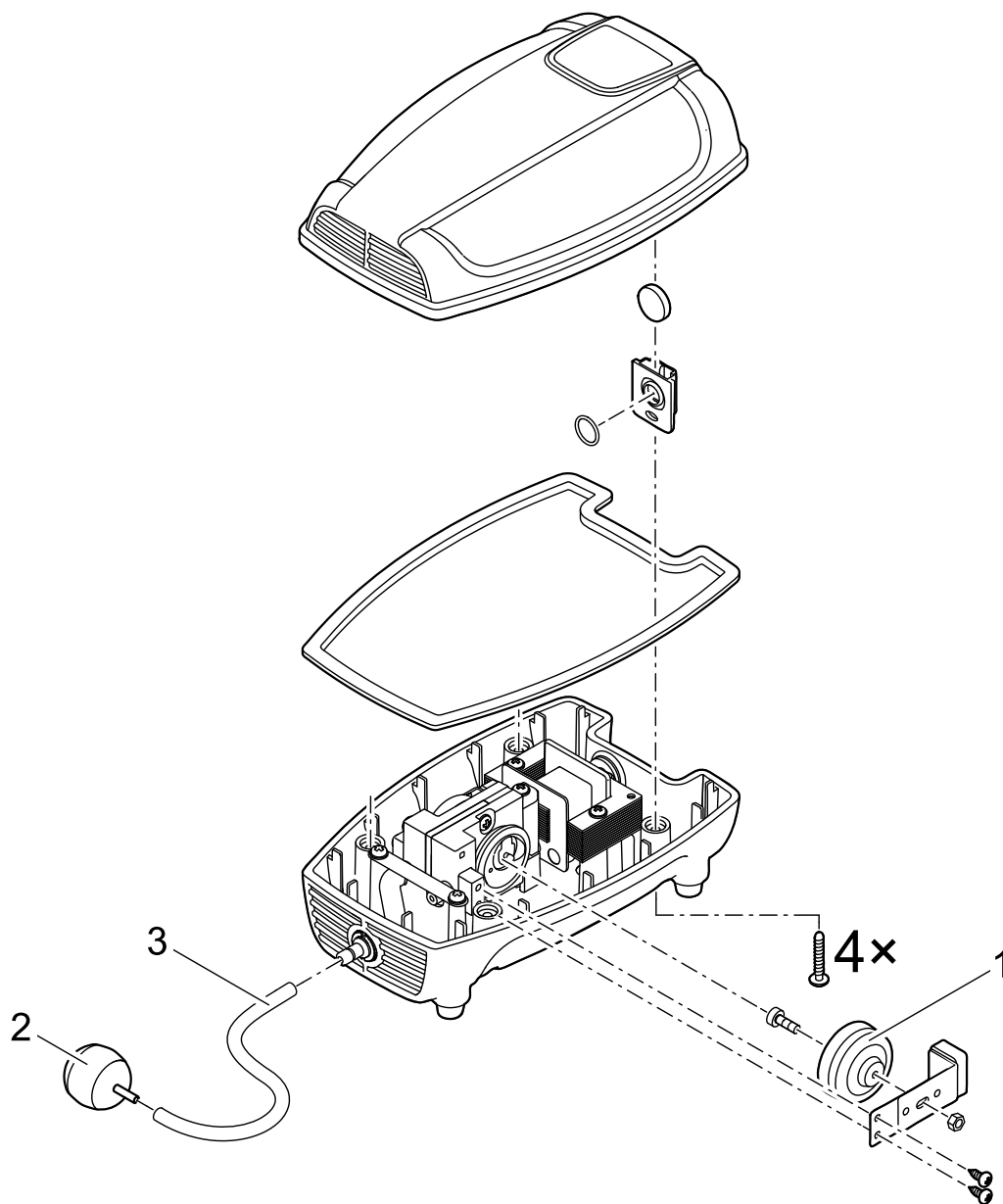
| Pos. | Item no. Product | Product | Item no. Spare part | Spare part | Number |
|------|------------------|-----------------------------|---------------------|--|--------|
| 1 | 50185 | AirFlo 4.0 kW / 400 V [INT] | 10579 | Float 135 l | 1 |
| 2 | 50185 | AirFlo 4.0 kW / 400 V [INT] | 11516 | ASM motor section AirFlo 4.0 kW / 400 V | 1 |
| 3 | 50185 | AirFlo 4.0 kW / 400 V [INT] | 41935 | Spare disc AirFlo 90 mm | 1 |
| 4 | 50185 | AirFlo 4.0 kW / 400 V [INT] | 11131 | Protective grating riser pipe | 1 |
| 5 | 50185 | AirFlo 4.0 kW / 400 V [INT] | 11805 | O-Ring NBR 155 x 2.5 SH70 | 1 |
| 6 | 50185 | AirFlo 4.0 kW / 400 V [INT] | 11188 | Nozzle D150 | 1 |
| 7 | 50185 | AirFlo 4.0 kW / 400 V [INT] | 10350 | Nozzle D138 | 1 |
| 8 | 50185 | AirFlo 4.0 kW / 400 V [INT] | 11414 | Additional pack small parts LM 3P | 1 |
| 9 | 50185 | AirFlo 4.0 kW / 400 V [INT] | 30128 | Fastener 450 | 1 |
| 10 | 50185 | AirFlo 4.0 kW / 400 V [INT] | 11203 | Wire rope stainless steel 3 mm x 30 m | 1 |
| 11 | 50185 | AirFlo 4.0 kW / 400 V [INT] | 42139 | Spare part Motor overl.switch 10-16A CEE | 1 |
| 12 | 50185 | AirFlo 4.0 kW / 400 V [INT] | 45303 | Flange plate A1 AirFlo | 1 |

| Item no. | Product |
|----------|-------------|
| 50532 | AquaOxy 240 |



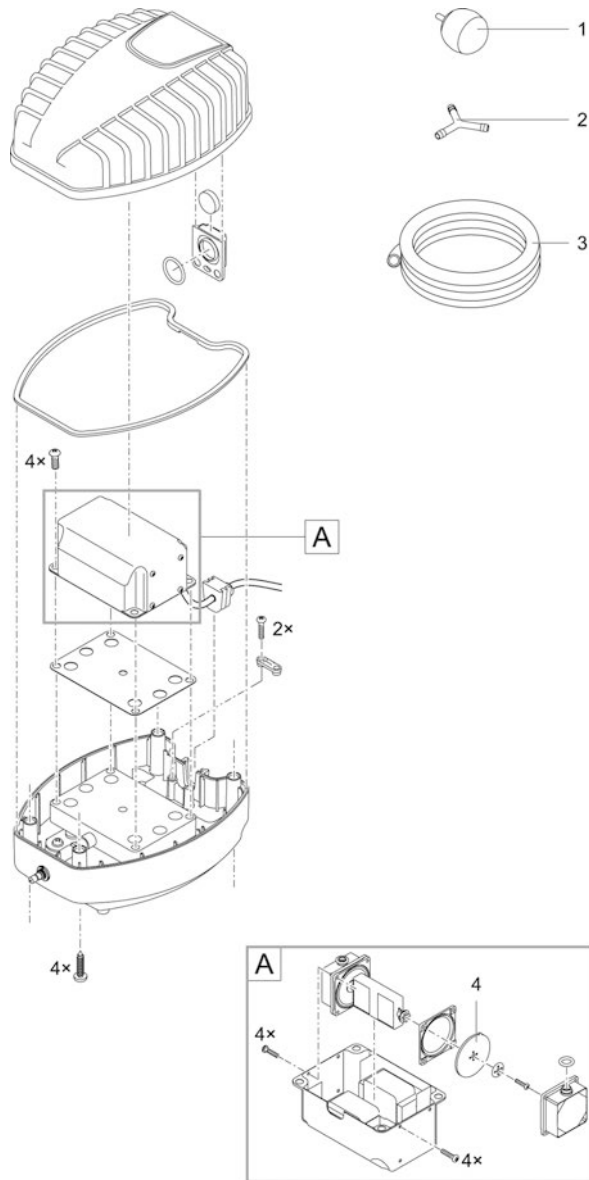
| Pos. | Item no. Product | Product | Item no. Spare part | Spare part | Number |
|------|------------------|-------------------|---------------------|-------------------------------|--------|
| 2 | 50532 | AquaOxy 240 [INT] | 22079 | Air stone 50 mm blue | 1 |
| 3 | 50532 | AquaOxy 240 [INT] | 15253 | Air hose 10 m AquaOxy 240-250 | 1 |

| Item no. | Product |
|----------|----------------|
| 34064 | AquaOxy 250 |
| 73377 | GB AquaOxy 250 |



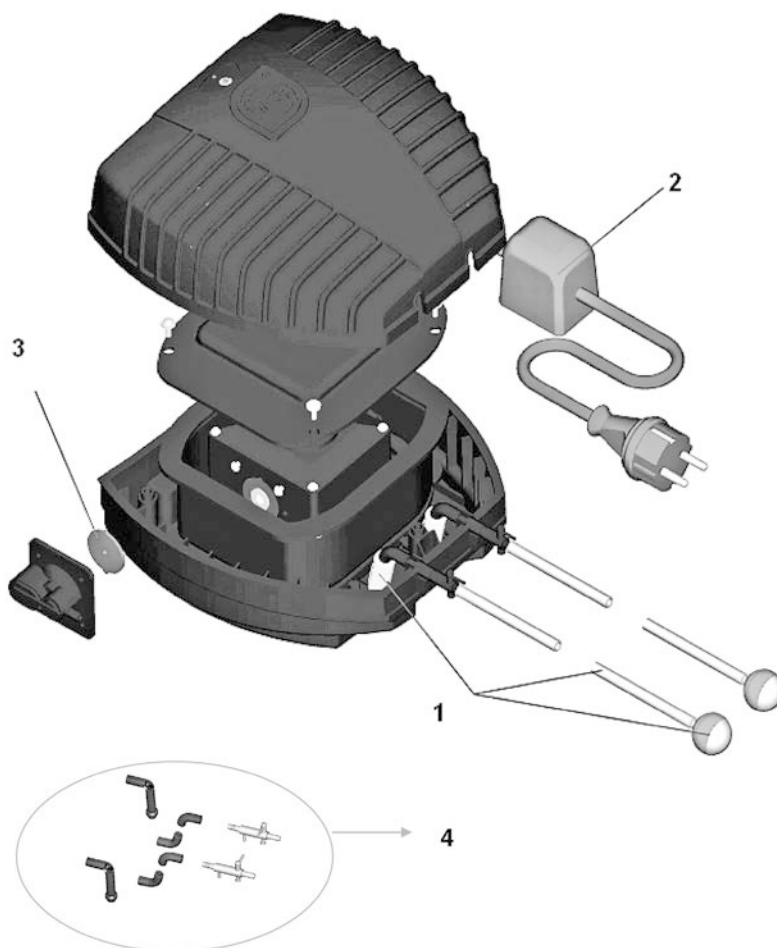
| Pos. | Item no. Product | Product | Item no. Spare part | Spare part | Number |
|------|------------------|-------------------|---------------------|------------------------------------|--------|
| 1 | 34064 | AquaOxy 250 [INT] | 72924 | Spare part membran Set AquaOxy 250 | 1 |
| | 73377 | AquaOxy 250 [GB] | | | |
| 2 | 34064 | AquaOxy 250 [INT] | 22079 | Air stone 50 mm blue | 1 |
| | 73377 | AquaOxy 250 [GB] | | | |
| 3 | 34064 | AquaOxy 250 [INT] | 15253 | Air hose 10 m AquaOxy 240-250 | 1 |
| | 73377 | AquaOxy 250 [GB] | | | |

| Item no. | Product | |
|----------|-------------|-------------|
| 57063 | AquaOxy 500 | |
| 57567 | GB | AquaOxy 500 |



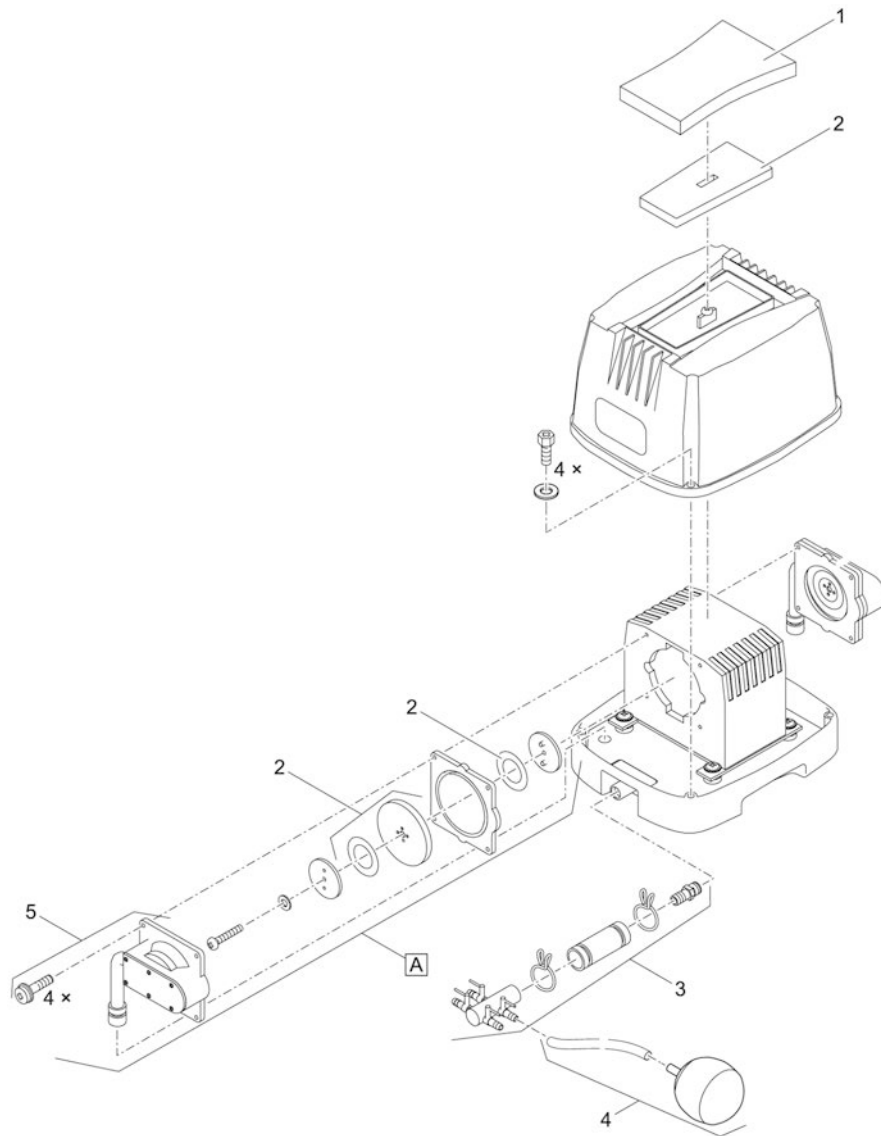
| Pos. | Item no. | Product | Item no. | Spare part | Number |
|------|----------|-------------------|----------|--|--------|
| 1 | 57063 | AquaOxy 500 [INT] | 22079 | Air stone 50 mm blue | 1 |
| | 57567 | AquaOxy 500 [GB] | | | |
| 2 | 57063 | AquaOxy 500 [INT] | 22076 | Y-distributor 5 mm AquaOxy transparent | 1 |
| | 57567 | AquaOxy 500 [GB] | | | |
| 3 | 57063 | AquaOxy 500 [INT] | 22077 | Air hose 5 m transparent | 1 |
| | 57567 | AquaOxy 500 [GB] | | | |
| 4 | 57063 | AquaOxy 500 [INT] | 22078 | Spare part membrane set AquaOxy 500 | 1 |
| | 57567 | AquaOxy 500 [GB] | | | |

| Item no. | Product |
|----------|-----------------|
| 37125 | AquaOxy 1000 |
| 57350 | AquaOxy 2000 |
| 57437 | GB AquaOxy 2000 |



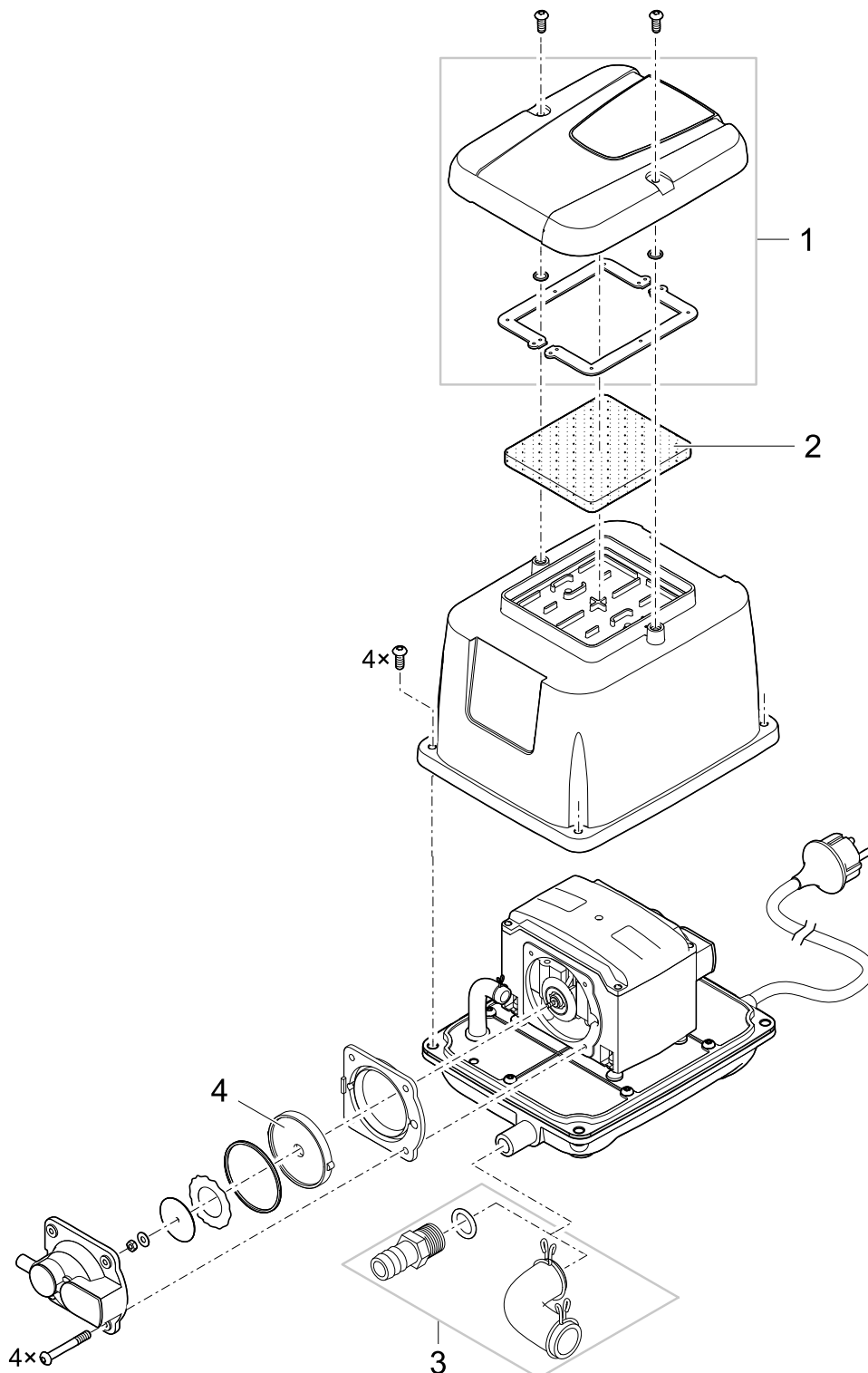
| Pos. | Item no. Product | Product | Item no. Spare part | Spare part | Number |
|------|------------------|--------------------|---------------------|---|--------|
| 1 | 37125 | AquaOxy 1000 [INT] | | | |
| | 57350 | AquaOxy 2000 [INT] | 29246 | Spare hose set AquaOxy 1000-4800 | 1 |
| | 57437 | AquaOxy 2000 [GB] | | | |
| 2 | 37125 | AquaOxy 1000 [INT] | 27346 | Spare transformer 12 V AquaOxy 400/1000 | 1 |
| | 57350 | AquaOxy 2000 [INT] | 29069 | Transformer AquaOxy 2000 | 1 |
| | 57437 | AquaOxy 2000 [GB] | | | |
| 3 | 37125 | AquaOxy 1000 [INT] | 27347 | Spare part membrane set AquaOxy 1000 | 1 |
| | 57350 | AquaOxy 2000 [INT] | 29311 | Spare part membrane set AquaOxy 2000 | 1 |
| | 57437 | AquaOxy 2000 [GB] | | | |
| 4 | 37125 | AquaOxy 1000 [INT] | | | |
| | 57350 | AquaOxy 2000 [INT] | 29245 | Spare valve set AquaOxy 1000-2000 | 1 |
| | 57437 | AquaOxy 2000 [GB] | | | |

| Item no. | Product | |
|----------|--------------|--------------|
| 50398 | AquaOxy 4800 | |
| 73378 | GB | AquaOxy 4800 |



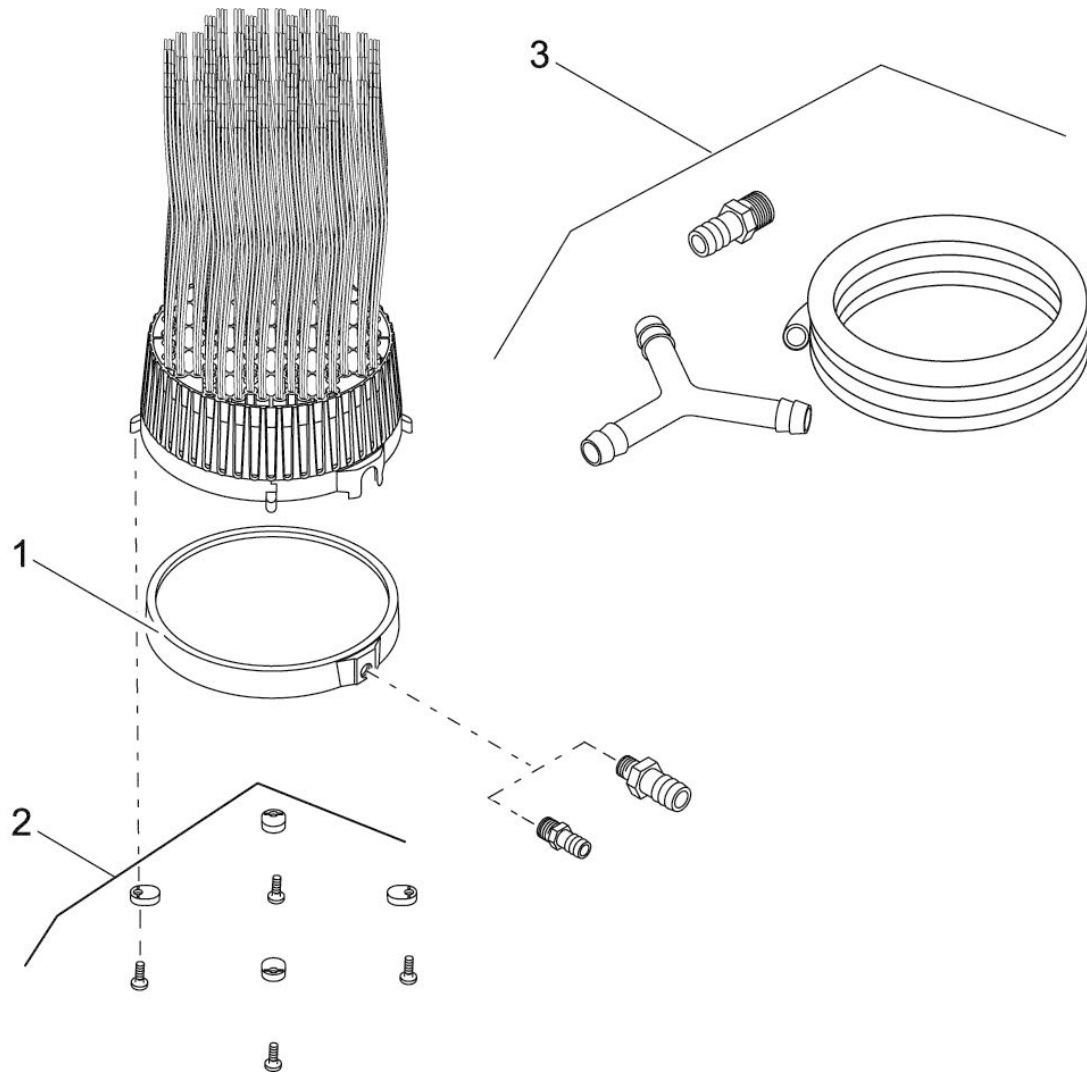
| Pos. | Item no. Product | Product | Item no. Spare part | Spare part | Number |
|------|---------------------|--------------------|------------------------|-------------------------------------|--------|
| 1 | 50398 | AquaOxy 4800 [INT] | 14165 | Housing cover packaged AquaOxy 4800 | 1 |
| | 73378 | AquaOxy 4800 [GB] | | | |
| 2 | 50398 | AquaOxy 4800 [INT] | 14164 | Membrane Set AquaOxy 4800 | 1 |
| | 73378 | AquaOxy 4800 [GB] | | | |
| 3 | 50398 | AquaOxy 4800 [INT] | 14166 | Air distributor set AquaOxy 4800 | 1 |
| | 73378 | AquaOxy 4800 [GB] | | | |
| 4 | 50398 | AquaOxy 4800 [INT] | 29246 | Spare hose set AquaOxy 1000-4800 | 1 |
| | 73378 | AquaOxy 4800 [GB] | | | |
| 5 | 50398 | AquaOxy 4800 [INT] | 14163 | Valve set AquaOxy 4800 | 1 |
| | 73378 | AquaOxy 4800 [GB] | | | |

| Item no. | Product |
|----------|-----------------|
| 87100 | AquaOxy 2500 |
| 87101 | AquaOxy 5000 |
| 87102 | AquaOxy 7500 |
| 87103 | GB AquaOxy 2500 |
| 87104 | GB AquaOxy 5000 |
| 87105 | GB AquaOxy 7500 |



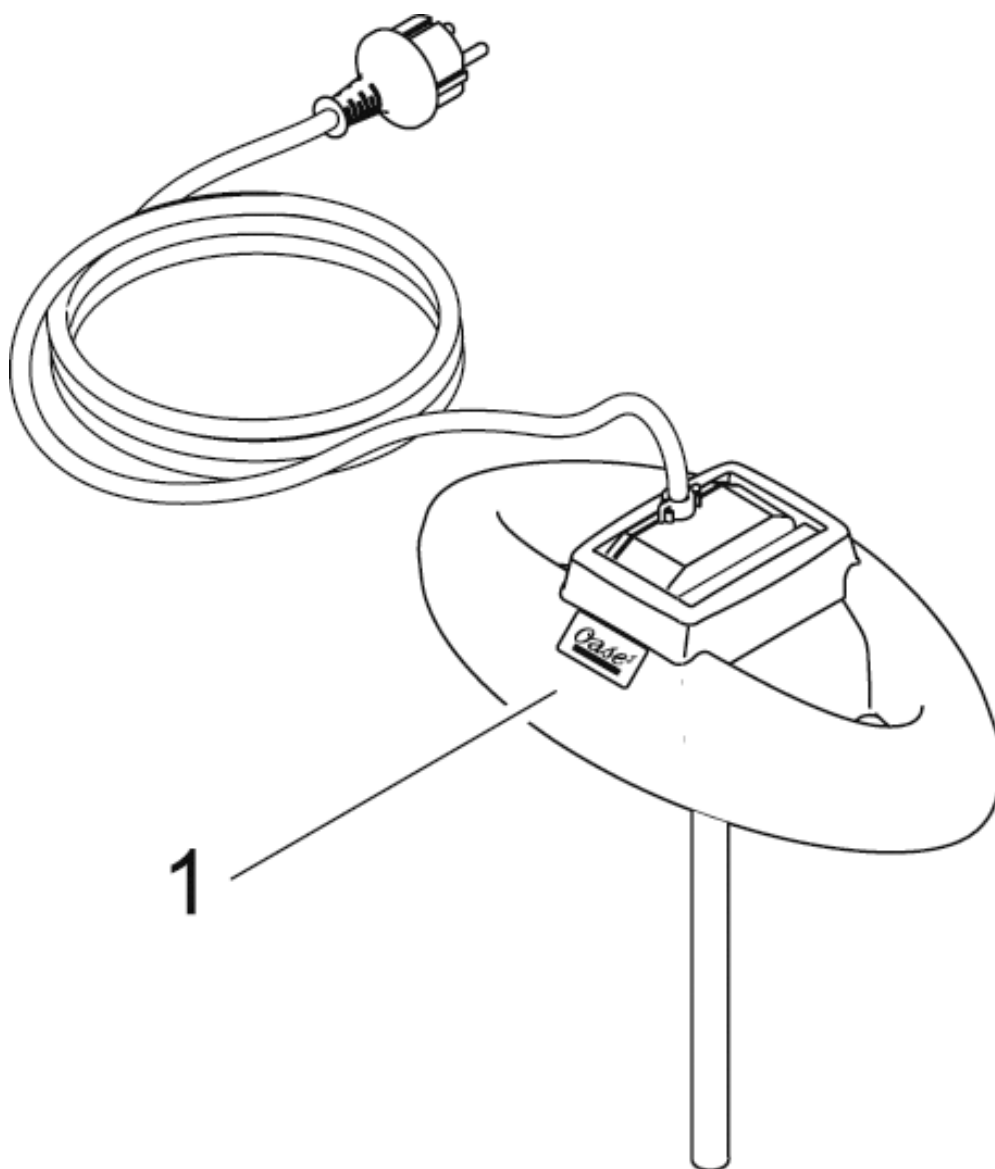
| Pos. | Item no. Product | Product | Item no. Spare part | Spare part | Number |
|------|---------------------|--------------------|------------------------|-------------------------------------|--------|
| 1 | 87100 | AquaOxy 2500 [INT] | 74306 | Spare part top cover AquaOxy 2500 | 1 |
| | 87101 | AquaOxy 5000 [INT] | 74310 | Spare part top cover AquaOxy 5000 | 1 |
| | 87102 | AquaOxy 7500 [INT] | 74314 | Spare part top cover AquaOxy 7500 | 1 |
| | 87103 | AquaOxy 2500 [GB] | 74306 | Spare part top cover AquaOxy 2500 | 1 |
| | 87104 | AquaOxy 5000 [GB] | 74310 | Spare part top cover AquaOxy 5000 | 1 |
| | 87105 | AquaOxy 7500 [GB] | 74314 | Spare part top cover AquaOxy 7500 | 1 |
| 2 | 87100 | AquaOxy 2500 [INT] | 74307 | Spare part air filter AquaOxy 2500 | 1 |
| | 87101 | AquaOxy 5000 [INT] | 74312 | Spare part air filter AquaOxy 5000 | 1 |
| | 87102 | AquaOxy 7500 [INT] | 74315 | Spare part air filter AquaOxy 7500 | 1 |
| | 87103 | AquaOxy 2500 [GB] | 74307 | Spare part air filter AquaOxy 2500 | 1 |
| | 87104 | AquaOxy 5000 [GB] | 74312 | Spare part air filter AquaOxy 5000 | 1 |
| | 87105 | AquaOxy 7500 [GB] | 74315 | Spare part air filter AquaOxy 7500 | 1 |
| 3 | 87100 | AquaOxy 2500 [INT] | | | |
| | 87101 | AquaOxy 5000 [INT] | | | |
| | 87102 | AquaOxy 7500 [INT] | | | |
| | 87103 | AquaOxy 2500 [GB] | 74308 | Connection kit AquaOxy 2500-7500 | 1 |
| | 87104 | AquaOxy 5000 [GB] | | | |
| | 87105 | AquaOxy 7500 [GB] | | | |
| 4 | 87100 | AquaOxy 2500 [INT] | 74305 | Spare part membran Set AquaOxy 2500 | 1 |
| | 87101 | AquaOxy 5000 [INT] | 74309 | Spare part membran Set AquaOxy 5000 | 1 |
| | 87102 | AquaOxy 7500 [INT] | 74313 | Spare part membran Set AquaOxy 7500 | 1 |
| | 87103 | AquaOxy 2500 [GB] | 74305 | Spare part membran Set AquaOxy 2500 | 1 |
| | 87104 | AquaOxy 5000 [GB] | 74309 | Spare part membran Set AquaOxy 5000 | 1 |
| | 87105 | AquaOxy 7500 [GB] | 74313 | Spare part membran Set AquaOxy 7500 | 1 |

| Item no. | Product |
|----------|-------------|
| 50290 | OxyTex 1000 |
| 50443 | OxyTex 400 |



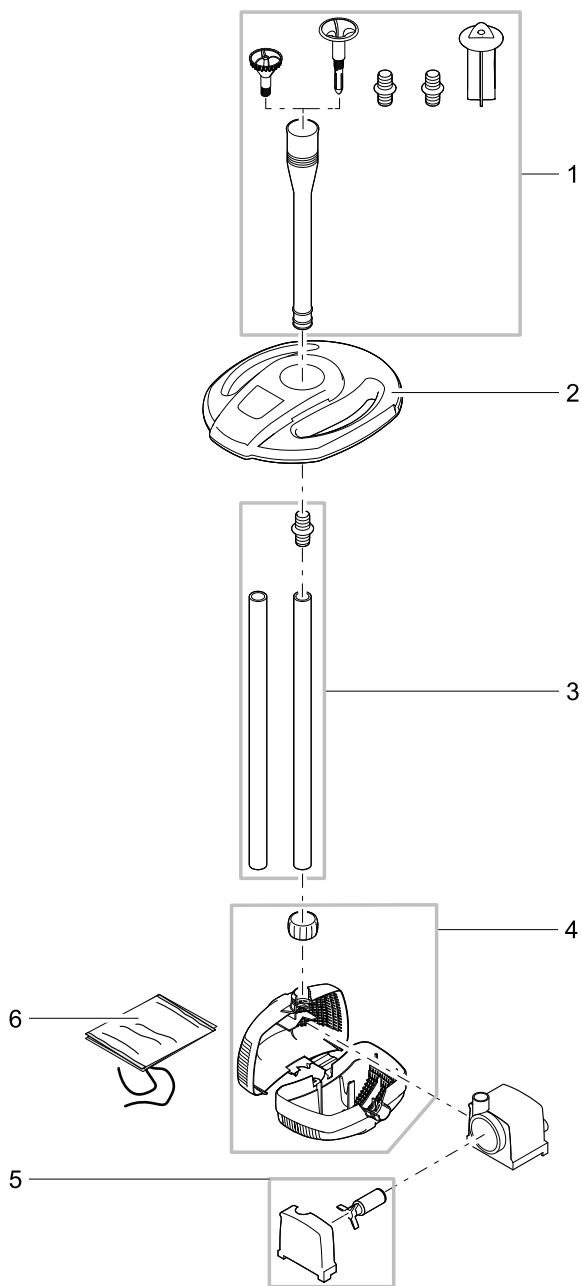
| Pos. | Item no. Product | Product | Item no. Spare part | Spare part | Number |
|------|------------------|-------------------|---------------------|-------------------------------------|--------|
| 1 | 50290 | OxyTex 1000 [INT] | 12257 | Air stone OxyTex 1000 | 1 |
| | 50443 | OxyTex 400 [INT] | 14915 | ASM air stone OxyTex 400 | 1 |
| 2 | 50290 | OxyTex 1000 [INT] | 12680 | ASM feet OxyTex | 1 |
| | 50443 | OxyTex 400 [INT] | | | |
| 3 | 50290 | OxyTex 1000 [INT] | 12681 | ASM OxyTex Y-distributor / air hose | 1 |
| | 50443 | OxyTex 400 [INT] | | | |

| Item no. | Product |
|----------|--------------------|
| 51230 | IceFree Thermo 200 |
| 51231 | IceFree Thermo 330 |



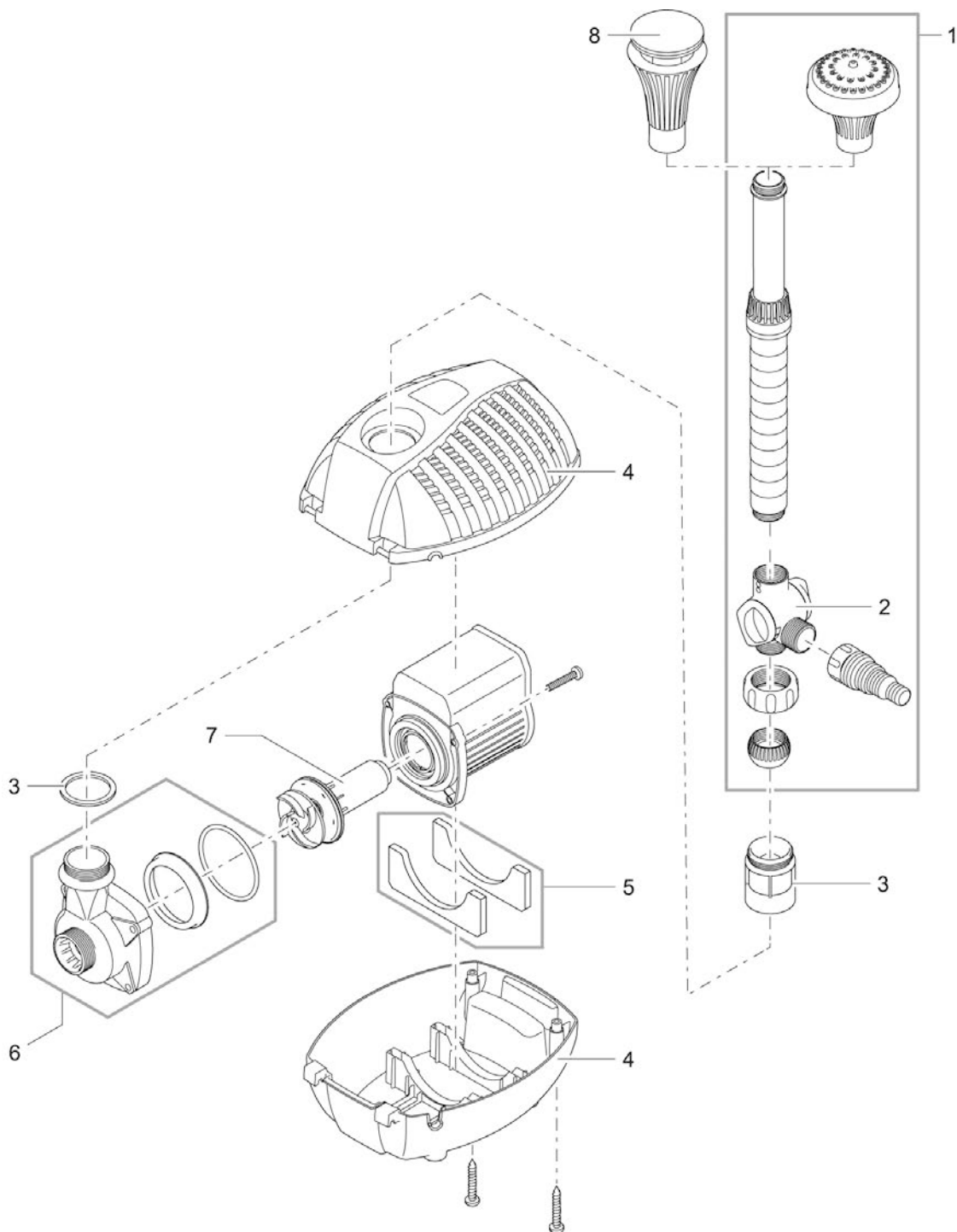
| Pos. | Item no. Product | Product | Item no. Spare part | Spare part | Number |
|------|---------------------|--------------------------|------------------------|------------------------|--------|
| 1 | 51230 | IceFree Thermo 200 [INT] | 21600 | Floater IceFree Thermo | 1 |
| | 51231 | IceFree Thermo 330 [INT] | | | |

| Item no. | Product |
|----------|-------------------|
| 49992 | IceFree 4 Seasons |



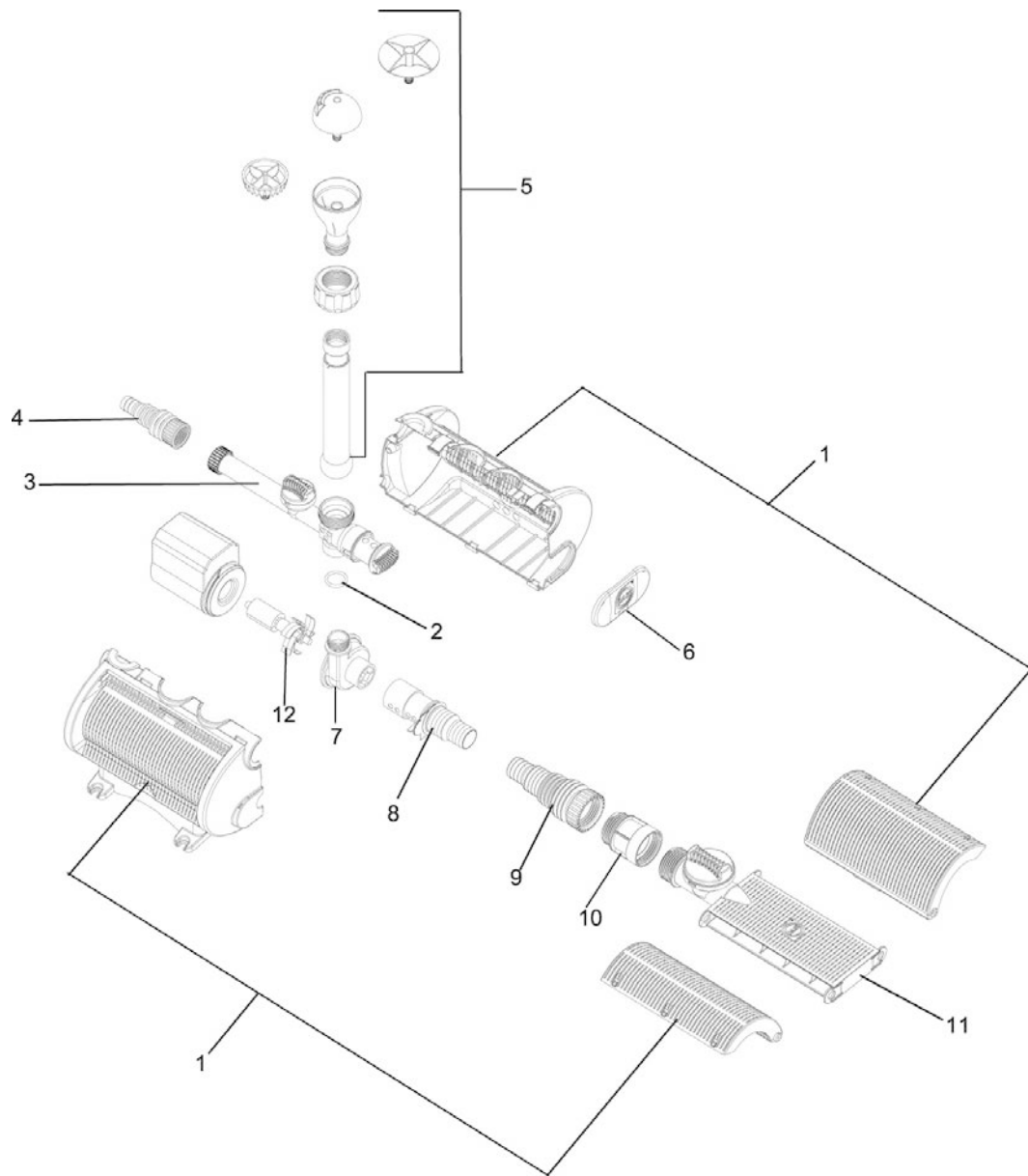
| Pos. | Item no. Product | Product | Item no. Spare part | Spare part | Number |
|------|------------------|-------------------------|---------------------|-----------------------------------|--------|
| 1 | 49992 | IceFree 4 Seasons [INT] | 51707 | Accessories IceFree 4 Seasons | 1 |
| 2 | 49992 | IceFree 4 Seasons [INT] | 51730 | Spare ASM float IceFree 4 Seasons | 1 |
| 3 | 49992 | IceFree 4 Seasons [INT] | 51706 | Spare hose set IceFree 4 Seasons | 1 |
| 4 | 49992 | IceFree 4 Seasons [INT] | 51708 | Spare filter housing IceFree | 1 |
| 5 | 49992 | IceFree 4 Seasons [INT] | 36957 | Spare part set pump IceFree | 1 |
| 6 | 49992 | IceFree 4 Seasons [INT] | 51732 | Spare filter bag IceFree 4 Season | 1 |

| Item no. | Product |
|----------|-----------------------------------|
| 41923 | Aquarius Fountain Set Eco 5500 |
| 41925 | Aquarius Fountain Set Eco 7500 |
| 41927 | Aquarius Fountain Set Eco 9500 |
| 41924 | GB Aquarius Fountain Set Eco 5500 |
| 41926 | GB Aquarius Fountain Set Eco 7500 |
| 41928 | GB Aquarius Fountain Set Eco 9500 |



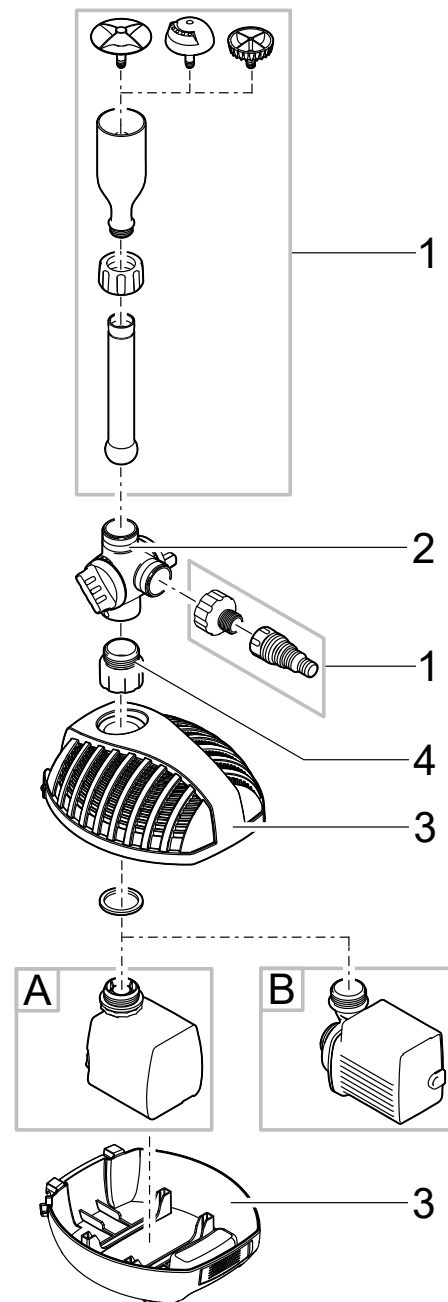
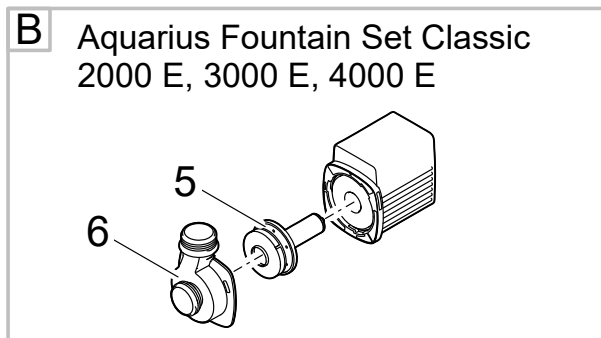
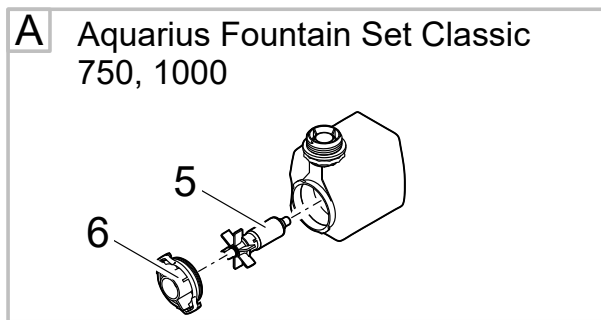
| Pos. | Item no. Product | Product | Item no. Spare part | Spare part | Number |
|------|---------------------|--------------------------------------|------------------------|--|--------|
| 1 | 41923 | Aquarius Fountain Set Eco 5500 [INT] | 41731 | Additional pack nozzle set Aquarius | 1 |
| | 41924 | Aquarius Fountain Set Eco 5500 [GB] | | | |
| | 41925 | Aquarius Fountain Set Eco 7500 [INT] | | | |
| | 41926 | Aquarius Fountain Set Eco 7500 [GB] | | | |
| | 41927 | Aquarius Fountain Set Eco 9500 [INT] | | | |
| | 41928 | Aquarius Fountain Set Eco 9500 [GB] | | | |
| 2 | 41923 | Aquarius Fountain Set Eco 5500 [INT] | 43290 | Spare T-controller Aquarius Fountain Set | 1 |
| | 41924 | Aquarius Fountain Set Eco 5500 [GB] | | | |
| | 41925 | Aquarius Fountain Set Eco 7500 [INT] | | | |
| | 41926 | Aquarius Fountain Set Eco 7500 [GB] | | | |
| | 41927 | Aquarius Fountain Set Eco 9500 [INT] | | | |
| | 41928 | Aquarius Fountain Set Eco 9500 [GB] | | | |
| 3 | 41923 | Aquarius Fountain Set Eco 5500 [INT] | 43286 | Connection kit Aquarius Foun.Set 55-9500 | 1 |
| | 41924 | Aquarius Fountain Set Eco 5500 [GB] | | | |
| | 41925 | Aquarius Fountain Set Eco 7500 [INT] | | | |
| | 41926 | Aquarius Fountain Set Eco 7500 [GB] | | | |
| | 41927 | Aquarius Fountain Set Eco 9500 [INT] | | | |
| | 41928 | Aquarius Fountain Set Eco 9500 [GB] | | | |
| 4 | 41923 | Aquarius Fountain Set Eco 5500 [INT] | 43287 | Filter housing Aquarius Foun.Set 55-9500 | 1 |
| | 41924 | Aquarius Fountain Set Eco 5500 [GB] | | | |
| | 41925 | Aquarius Fountain Set Eco 7500 [INT] | | | |
| | 41926 | Aquarius Fountain Set Eco 7500 [GB] | | | |
| | 41927 | Aquarius Fountain Set Eco 9500 [INT] | | | |
| | 41928 | Aquarius Fountain Set Eco 9500 [GB] | | | |
| 5 | 41923 | Aquarius Fountain Set Eco 5500 [INT] | 43294 | Buffer Aquarius Fountain Set 5500-7500 | 1 |
| | 41924 | Aquarius Fountain Set Eco 5500 [GB] | | | |
| | 41925 | Aquarius Fountain Set Eco 7500 [INT] | | | |
| | 41926 | Aquarius Fountain Set Eco 7500 [GB] | | | |
| | 41927 | Aquarius Fountain Set Eco 9500 [INT] | | | |
| | 41928 | Aquarius Fountain Set Eco 9500 [GB] | | | |
| 6 | 41923 | Aquarius Fountain Set Eco 5500 [INT] | 43288 | Pump housing Aquarius Fountain Set 5500 | 1 |
| | 41924 | Aquarius Fountain Set Eco 5500 [GB] | | | |
| | 41925 | Aquarius Fountain Set Eco 7500 [INT] | | | |
| | 41926 | Aquarius Fountain Set Eco 7500 [GB] | | | |
| | 41927 | Aquarius Fountain Set Eco 9500 [INT] | | | |
| | 41928 | Aquarius Fountain Set Eco 9500 [GB] | | | |
| 7 | 41923 | Aquarius Fountain Set Eco 5500 [INT] | 43292 | Impeller Aquarius Fount.Set Eco5500-7500 | 1 |
| | 41924 | Aquarius Fountain Set Eco 5500 [GB] | | | |
| | 41925 | Aquarius Fountain Set Eco 7500 [INT] | | | |
| | 41926 | Aquarius Fountain Set Eco 7500 [GB] | | | |
| | 41927 | Aquarius Fountain Set Eco 9500 [INT] | | | |
| | 41928 | Aquarius Fountain Set Eco 9500 [GB] | | | |
| 8 | 41923 | Aquarius Fountain Set Eco 5500 [INT] | 52318 | Lava 36 - 10 K | 1 |
| | 41924 | Aquarius Fountain Set Eco 5500 [GB] | | | |
| | 41925 | Aquarius Fountain Set Eco 7500 [INT] | | | |
| | 41926 | Aquarius Fountain Set Eco 7500 [GB] | | | |
| | 41927 | Aquarius Fountain Set Eco 9500 [INT] | | | |
| | 41928 | Aquarius Fountain Set Eco 9500 [GB] | | | |

| Item no. | Product |
|----------|---------------------|
| 56888 | Aquarius Solar 700 |
| 56889 | Aquarius Solar 1500 |



| Pos. | Item no. Product | Product | Item no. Spare part | Spare part | Number |
|------|---------------------|---------------------------|------------------------|--|--------|
| 1 | 56888 | Aquarius Solar 700 [INT] | 35412 | ASM filter Nautilus 50-150 | 1 |
| | 56889 | Aquarius Solar 1500 [INT] | | | |
| 2 | 56888 | Aquarius Solar 700 [INT] | 18417 | O-Ring NBR 36 x 2 SH45 | 1 |
| | 56889 | Aquarius Solar 1500 [INT] | 3533 | O-Ring NBR 19 x 2.4 SH75 | 1 |
| 3 | 56888 | Aquarius Solar 700 [INT] | 25197 | Waterdistributor 2 cpl. AquariusFountain | 1 |
| | 56889 | Aquarius Solar 1500 [INT] | | | |
| 4 | 56888 | Aquarius Solar 700 [INT] | 42429 | Spare stepped hose tail 1/2" | 1 |
| | 56889 | Aquarius Solar 1500 [INT] | | | |
| 5 | 56888 | Aquarius Solar 700 [INT] | 27184 | Nozzle set Aquarius Solar | 1 |
| | 56889 | Aquarius Solar 1500 [INT] | 25196 | Nozzle set 2-2 cpl Aquarius Fountain Set | 1 |
| 6 | 56888 | Aquarius Solar 700 [INT] | 25217 | Inlet cover front 2 Aquarius Fountain | 1 |
| | 56889 | Aquarius Solar 1500 [INT] | | | |
| 7 | 56888 | Aquarius Solar 700 [INT] | 17402 | Pump housing Aquarius 600-900 | 1 |
| | 56889 | Aquarius Solar 1500 [INT] | 34674 | Pump housing S 3-2 | 1 |
| 8 | 56888 | Aquarius Solar 700 [INT] | 26924 | Suction pipe Aquarius Solar Set 700 | 1 |
| | 56889 | Aquarius Solar 1500 [INT] | | | |
| 9 | 56888 | Aquarius Solar 700 [INT] | 23642 | Stepped hose tail with bush cpl. G1 | 1 |
| | 56889 | Aquarius Solar 1500 [INT] | | | |
| 10 | 56888 | Aquarius Solar 700 [INT] | 25324 | Strainer tube 1" | 1 |
| | 56889 | Aquarius Solar 1500 [INT] | | | |
| 11 | 56888 | Aquarius Solar 700 [INT] | 34799 | Spare filter adaptor cpl Aquar. Fount. 2 | 1 |
| | 56889 | Aquarius Solar 1500 [INT] | | | |
| 12 | 56888 | Aquarius Solar 700 [INT] | 53693 | Impeller cpl. Solar 700 | 1 |
| | 56889 | Aquarius Solar 1500 [INT] | 53769 | Impeller cpl. Solar 1500 | 1 |

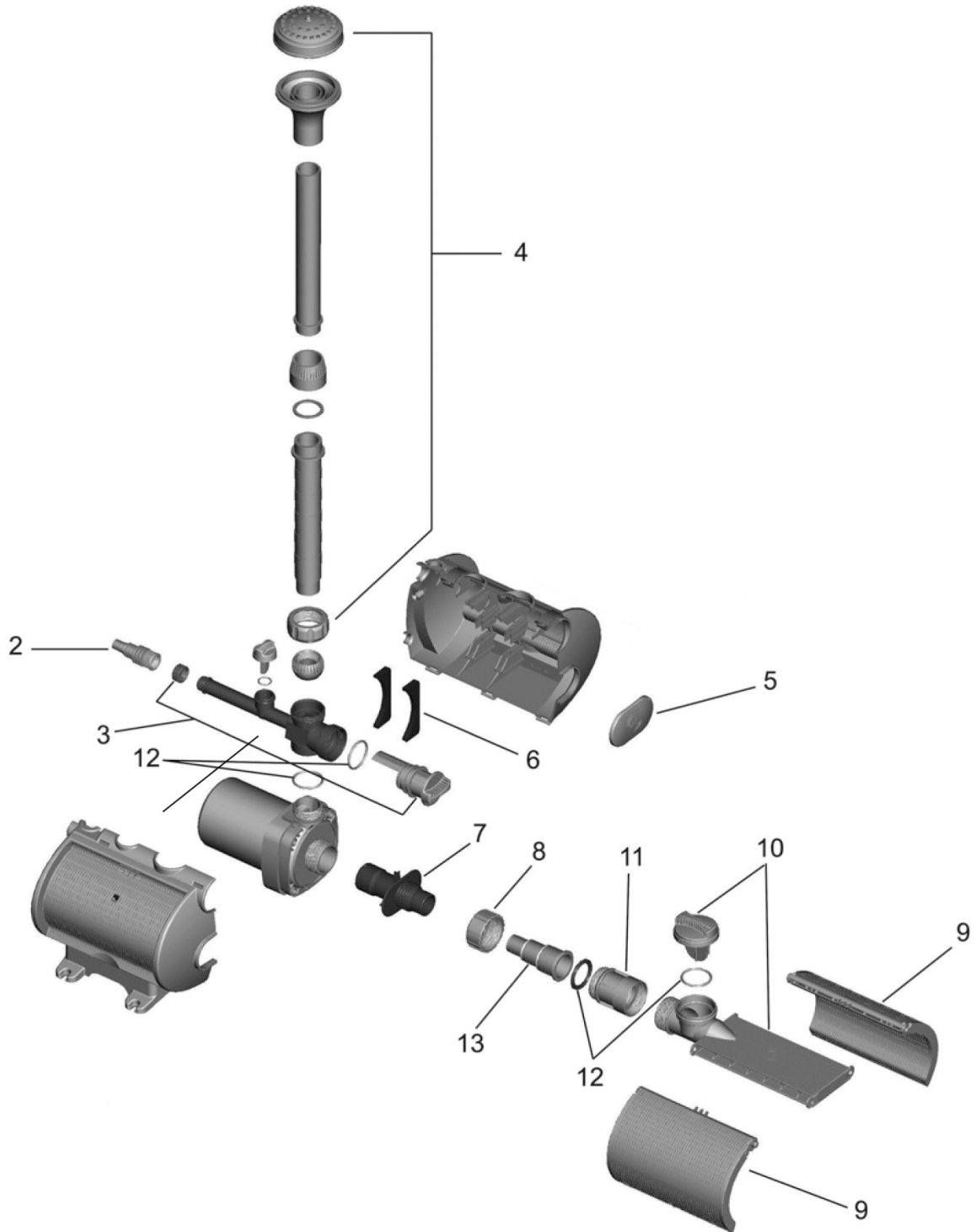
| Item no. | Product |
|----------|---|
| 43041 | Aquarius Fountain Set Classic 750 |
| 57399 | Aquarius Fountain Set Classic 1000 |
| 57400 | Aquarius Fountain Set Classic 1500 |
| 57401 | Aquarius Fountain Set Classic 2500 |
| 57402 | Aquarius Fountain Set Classic 3500 |
| 77371 | Aquarius Fountain Set Classic 2000 E |
| 77372 | Aquarius Fountain Set Classic 3000 E |
| 77374 | Aquarius Fountain Set Classic 4000 E |
| 43042 | GB Aquarius Fountain Set Classic 750 |
| 57438 | GB Aquarius Fountain Set Classic 1000 |
| 57439 | GB Aquarius Fountain Set Classic 1500 |
| 57440 | GB Aquarius Fountain Set Classic 2500 |
| 57441 | GB Aquarius Fountain Set Classic 3500 |
| 77375 | GB Aquarius Fountain Set Classic 2000 E |
| 77376 | GB Aquarius Fountain Set Classic 3000 E |
| 77377 | GB Aquarius Fountain Set Classic 4000 E |



| Pos. | Item no. Product | Product | Item no. Spare part | Spare part | Number |
|------|---------------------|--|------------------------|--|--------|
| | 43041 | Aquarius Fountain Set Classic 750 [INT] | | | |
| | 43042 | Aquarius Fountain Set Classic 750 [GB] | | | |
| | 57399 | Aquarius Fountain Set Classic 1000 [INT] | | | |
| | 57400 | Aquarius Fountain Set Classic 1500 [INT] | | | |
| | 57401 | Aquarius Fountain Set Classic 2500 [INT] | | | |
| | 57402 | Aquarius Fountain Set Classic 3500 [INT] | | | |
| | 57438 | Aquarius Fountain Set Classic 1000 [GB] | | | |
| 1 | 57439 | Aquarius Fountain Set Classic 1500 [GB] | 77948 | Add. pack Aquarius Fountain Set Cl. E | 1 |
| | 57440 | Aquarius Fountain Set Classic 2500 [GB] | | | |
| | 57441 | Aquarius Fountain Set Classic 3500 [GB] | | | |
| | 77371 | Aquarius Fountain Set Classic 2000 E [INT] | | | |
| | 77372 | Aquarius Fountain Set Classic 3000 E [INT] | | | |
| | 77374 | Aquarius Fountain Set Classic 4000 E [INT] | | | |
| | 77375 | Aquarius Fountain Set Classic 2000 E [GB] | | | |
| | 77376 | Aquarius Fountain Set Classic 3000 E [GB] | | | |
| | 77377 | Aquarius Fountain Set Classic 4000 E [GB] | | | |
| | 43041 | Aquarius Fountain Set Classic 750 [INT] | | | |
| | 43042 | Aquarius Fountain Set Classic 750 [GB] | | | |
| | 57399 | Aquarius Fountain Set Classic 1000 [INT] | | | |
| | 57400 | Aquarius Fountain Set Classic 1500 [INT] | | | |
| | 57401 | Aquarius Fountain Set Classic 2500 [INT] | | | |
| | 57402 | Aquarius Fountain Set Classic 3500 [INT] | | | |
| | 57438 | Aquarius Fountain Set Classic 1000 [GB] | | | |
| 2 | 57439 | Aquarius Fountain Set Classic 1500 [GB] | 43290 | Spare T-controller Aquarius Fountain Set | 1 |
| | 57440 | Aquarius Fountain Set Classic 2500 [GB] | | | |
| | 57441 | Aquarius Fountain Set Classic 3500 [GB] | | | |
| | 77371 | Aquarius Fountain Set Classic 2000 E [INT] | | | |
| | 77372 | Aquarius Fountain Set Classic 3000 E [INT] | | | |
| | 77374 | Aquarius Fountain Set Classic 4000 E [INT] | | | |
| | 77375 | Aquarius Fountain Set Classic 2000 E [GB] | | | |
| | 77376 | Aquarius Fountain Set Classic 3000 E [GB] | | | |
| | 77377 | Aquarius Fountain Set Classic 4000 E [GB] | | | |
| | 43041 | Aquarius Fountain Set Classic 750 [INT] | | | |
| | 43042 | Aquarius Fountain Set Classic 750 [GB] | | | |
| | 57399 | Aquarius Fountain Set Classic 1000 [INT] | | | |
| | 57400 | Aquarius Fountain Set Classic 1500 [INT] | | | |
| | 57401 | Aquarius Fountain Set Classic 2500 [INT] | | | |
| | 57402 | Aquarius Fountain Set Classic 3500 [INT] | | | |
| | 57438 | Aquarius Fountain Set Classic 1000 [GB] | | | |
| 3 | 57439 | Aquarius Fountain Set Classic 1500 [GB] | 18237 | ASM filter housing top and base | 1 |
| | 57440 | Aquarius Fountain Set Classic 2500 [GB] | | | |
| | 57441 | Aquarius Fountain Set Classic 3500 [GB] | | | |
| | 77371 | Aquarius Fountain Set Classic 2000 E [INT] | | | |
| | 77372 | Aquarius Fountain Set Classic 3000 E [INT] | | | |
| | 77374 | Aquarius Fountain Set Classic 4000 E [INT] | | | |
| | 77375 | Aquarius Fountain Set Classic 2000 E [GB] | | | |
| | 77376 | Aquarius Fountain Set Classic 3000 E [GB] | | | |
| | 77377 | Aquarius Fountain Set Classic 4000 E [GB] | | | |

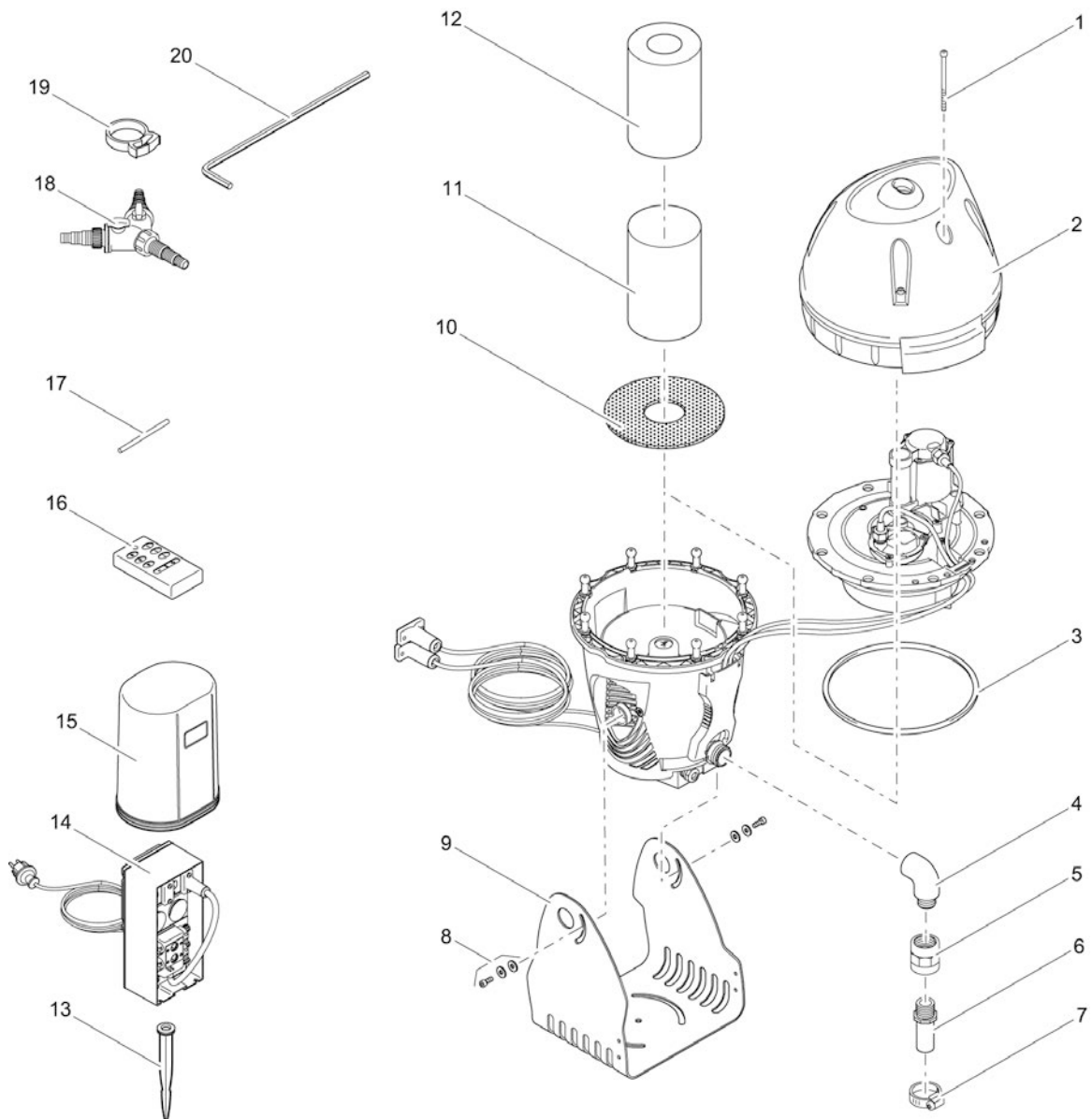
| Pos. | Item no. Product | Product | Item no. Spare part | Spare part | Number |
|-------|---------------------|--|---|--------------------------------------|--------|
| 4 | 43041 | Aquarius Fountain Set Classic 750 [INT] | | | |
| | 57400 | Aquarius Fountain Set Classic 1500 [INT] | | | |
| | 57402 | Aquarius Fountain Set Classic 3500 [INT] | | | |
| | 77371 | Aquarius Fountain Set Classic 2000 E [INT] | | | |
| | 77372 | Aquarius Fountain Set Classic 3000 E [INT] | 13427 | Threaded bush plastic G1 A x G1/2 I | 1 |
| | 77374 | Aquarius Fountain Set Classic 4000 E [INT] | | | |
| | 77375 | Aquarius Fountain Set Classic 2000 E [GB] | | | |
| | 77376 | Aquarius Fountain Set Classic 3000 E [GB] | | | |
| | 77377 | Aquarius Fountain Set Classic 4000 E [GB] | | | |
| 5 | 43041 | Aquarius Fountain Set Classic 750 [INT] | 22647 | Spare rotor cpl. ASE 750 magnetized | 1 |
| | 43042 | Aquarius Fountain Set Classic 750 [GB] | | | |
| | 57399 | Aquarius Fountain Set Classic 1000 [INT] | 28351 | Spare rotor cpl. ASE 1000 magnetized | 1 |
| | 57400 | Aquarius Fountain Set Classic 1500 [INT] | 18012 | Spare rotor cpl. ASE 1500 magnetized | 1 |
| | 57401 | Aquarius Fountain Set Classic 2500 [INT] | 18013 | Spare rotor cpl. ASE 2500 magnetized | 1 |
| | 57402 | Aquarius Fountain Set Classic 3500 [INT] | 14364 | Spare rotor pump 3500 ASE x-ring | 1 |
| | 57438 | Aquarius Fountain Set Classic 1000 [GB] | 28351 | Spare rotor cpl. ASE 1000 magnetized | 1 |
| | 57439 | Aquarius Fountain Set Classic 1500 [GB] | 18012 | Spare rotor cpl. ASE 1500 magnetized | 1 |
| | 57440 | Aquarius Fountain Set Classic 2500 [GB] | 18013 | Spare rotor cpl. ASE 2500 magnetized | 1 |
| | 57441 | Aquarius Fountain Set Classic 3500 [GB] | 14364 | Spare rotor pump 3500 ASE x-ring | 1 |
| | 77371 | Aquarius Fountain Set Classic 2000 E [INT] | 78274 | Spare part rotor fountain set 2000 | 1 |
| | 77372 | Aquarius Fountain Set Classic 3000 E [INT] | 78275 | Spare part rotor fountain set 3000 | 1 |
| | 77374 | Aquarius Fountain Set Classic 4000 E [INT] | 78276 | Spare part rotor fountain set 4000 | 1 |
| | 77375 | Aquarius Fountain Set Classic 2000 E [GB] | 78274 | Spare part rotor fountain set 2000 | 1 |
| | 77376 | Aquarius Fountain Set Classic 3000 E [GB] | 78275 | Spare part rotor fountain set 3000 | 1 |
| | 77377 | Aquarius Fountain Set Classic 4000 E [GB] | 78276 | Spare part rotor fountain set 4000 | 1 |
| | 6 | 43041 | Aquarius Fountain Set Classic 750 [INT] | | |
| 43042 | | Aquarius Fountain Set Classic 750 [GB] | 35762 | ASM pump housing ASE 1000 | 1 |
| 57399 | | Aquarius Fountain Set Classic 1000 [INT] | | | |
| 57400 | | Aquarius Fountain Set Classic 1500 [INT] | 35769 | ASM pump housing ASE 1500 | 1 |
| 57401 | | Aquarius Fountain Set Classic 2500 [INT] | 35770 | ASM pump housing ASE 2500 | 1 |
| 57402 | | Aquarius Fountain Set Classic 3500 [INT] | 35771 | ASM pump housing ASE 3500 | 1 |
| 57438 | | Aquarius Fountain Set Classic 1000 [GB] | 35762 | ASM pump housing ASE 1000 | 1 |
| 57439 | | Aquarius Fountain Set Classic 1500 [GB] | 35769 | ASM pump housing ASE 1500 | 1 |
| 57440 | | Aquarius Fountain Set Classic 2500 [GB] | 35770 | ASM pump housing ASE 2500 | 1 |
| 57441 | | Aquarius Fountain Set Classic 3500 [GB] | 35771 | ASM pump housing ASE 3500 | 1 |
| 77371 | | Aquarius Fountain Set Classic 2000 E [INT] | 78277 | Spare pump housing fountain set 2000 | 1 |
| 77372 | | Aquarius Fountain Set Classic 3000 E [INT] | 71810 | Spare pump housing Max 3500 2019 | 1 |
| 77374 | | Aquarius Fountain Set Classic 4000 E [INT] | 78278 | Spare pump housing fountain set 4000 | 1 |
| 77375 | | Aquarius Fountain Set Classic 2000 E [GB] | 78277 | Spare pump housing fountain set 2000 | 1 |
| 77376 | | Aquarius Fountain Set Classic 3000 E [GB] | 71810 | Spare pump housing Max 3500 2019 | 1 |
| 77377 | | Aquarius Fountain Set Classic 4000 E [GB] | 78278 | Spare pump housing fountain set 4000 | 1 |

| Item no. | Product |
|----------|-----------------------------|
| 56315 | Aquarius Fountain Set 4000 |
| 56319 | Aquarius Fountain Set 6000 |
| 56323 | Aquarius Fountain Set 8000 |
| 56332 | Aquarius Fountain Set 12000 |



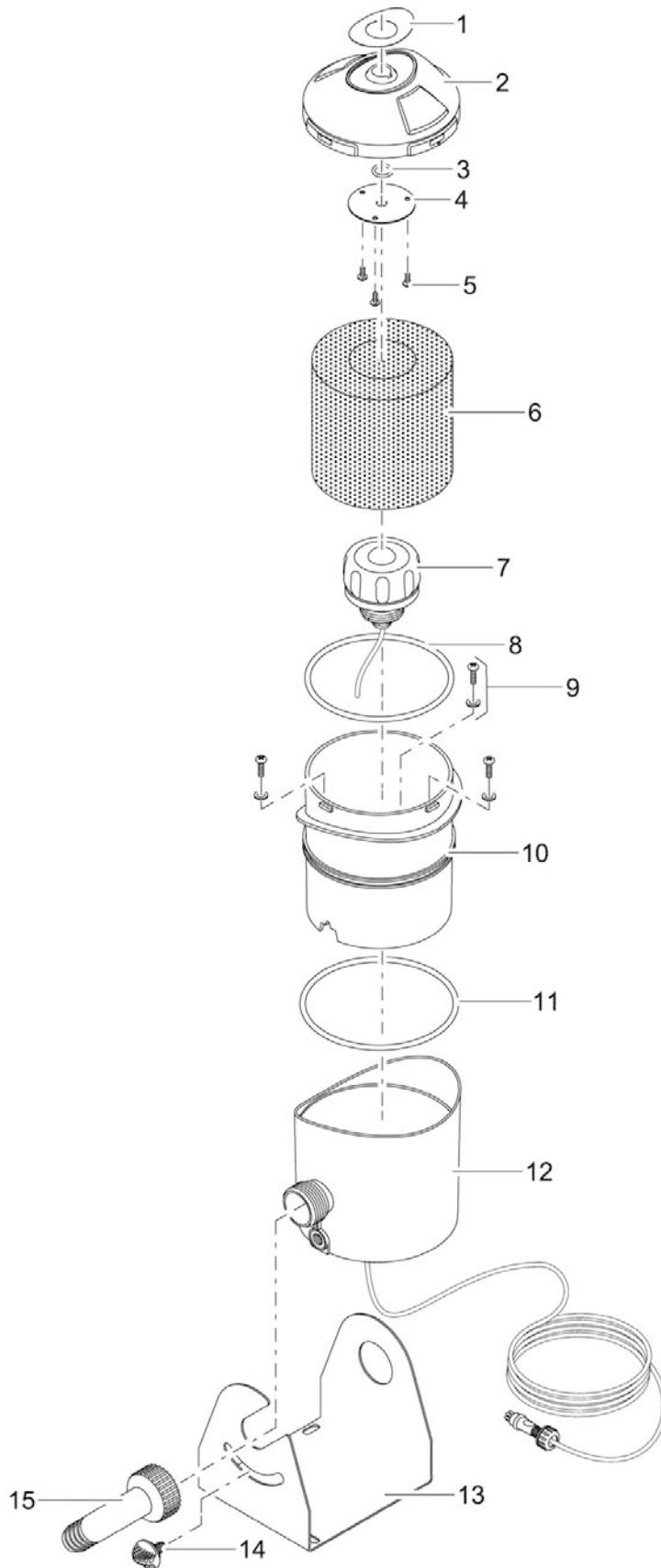
| Pos. | Item no. Product | Product | Item no. Spare part | Spare part | Number |
|-------|----------------------------------|-----------------------------------|------------------------|--|--------|
| 2 | 56315 | Aquarius Fountain Set 4000 [INT] | 42429 | Spare stepped hose tail 1/2" | 1 |
| | 56319 | Aquarius Fountain Set 6000 [INT] | | | |
| | 56323 | Aquarius Fountain Set 8000 [INT] | | | |
| | 56332 | Aquarius Fountain Set 12000 [INT] | | | |
| 3 | 56315 | Aquarius Fountain Set 4000 [INT] | 25206 | Water distributor 3-1 cpl. | 1 |
| | 56319 | Aquarius Fountain Set 6000 [INT] | 25207 | Waterdistributor 3-2cpl AquariusFountain | 1 |
| | 56323 | Aquarius Fountain Set 8000 [INT] | | | |
| | 56332 | Aquarius Fountain Set 12000 [INT] | | | |
| 56315 | Aquarius Fountain Set 4000 [INT] | | | | |
| 4 | 56319 | Aquarius Fountain Set 6000 [INT] | 34808 | Spare nozzle set Aquar. Fount. size 3-1 | 1 |
| | 56323 | Aquarius Fountain Set 8000 [INT] | 34806 | Spare nozzle set Aquar. Fount. size 3-2 | 1 |
| | 56332 | Aquarius Fountain Set 12000 [INT] | | | |
| | 56315 | Aquarius Fountain Set 4000 [INT] | | | |
| 56319 | Aquarius Fountain Set 6000 [INT] | | | | |
| 5 | 56323 | Aquarius Fountain Set 8000 [INT] | 34620 | Inlet cover front 3 Aquarius Fountain | 1 |
| | 56332 | Aquarius Fountain Set 12000 [INT] | | | |
| | 56315 | Aquarius Fountain Set 4000 [INT] | | | |
| | 56319 | Aquarius Fountain Set 6000 [INT] | | | |
| 6 | 56323 | Aquarius Fountain Set 8000 [INT] | 25450 | Rubber pad 1 | 4 |
| | 56332 | Aquarius Fountain Set 12000 [INT] | | | |
| | 56315 | Aquarius Fountain Set 4000 [INT] | | | |
| | 56319 | Aquarius Fountain Set 6000 [INT] | | | |
| 7 | 56323 | Aquarius Fountain Set 8000 [INT] | 34621 | Suction pipe 3 / 1 Aquarius Fountain Set | 1 |
| | 56332 | Aquarius Fountain Set 12000 [INT] | | | |
| | 56315 | Aquarius Fountain Set 4000 [INT] | | | |
| | 56319 | Aquarius Fountain Set 6000 [INT] | | | |
| 8 | 56323 | Aquarius Fountain Set 8000 [INT] | 34651 | Suction pipe 3 / 2 Aquarius Fountain Set | 1 |
| | 56332 | Aquarius Fountain Set 12000 [INT] | | | |
| | 56315 | Aquarius Fountain Set 4000 [INT] | | | |
| | 56319 | Aquarius Fountain Set 6000 [INT] | | | |
| 9 | 56323 | Aquarius Fountain Set 8000 [INT] | 34737 | Coupling nut 1 1/2" 40-20 | 1 |
| | 56332 | Aquarius Fountain Set 12000 [INT] | | | |
| | 56315 | Aquarius Fountain Set 4000 [INT] | | | |
| | 56319 | Aquarius Fountain Set 6000 [INT] | | | |
| 10 | 56323 | Aquarius Fountain Set 8000 [INT] | 27285 | ASM filter wing 3 cpl. | 2 |
| | 56332 | Aquarius Fountain Set 12000 [INT] | | | |
| | 56315 | Aquarius Fountain Set 4000 [INT] | | | |
| | 56319 | Aquarius Fountain Set 6000 [INT] | | | |
| 11 | 56323 | Aquarius Fountain Set 8000 [INT] | 34807 | Spare filter adaptor cpl Aquar. Fount. 3 | 1 |
| | 56332 | Aquarius Fountain Set 12000 [INT] | | | |
| | 56315 | Aquarius Fountain Set 4000 [INT] | | | |
| | 56319 | Aquarius Fountain Set 6000 [INT] | | | |
| 12 | 56323 | Aquarius Fountain Set 8000 [INT] | 25323 | Strainer tube 1 1/2" | 1 |
| | 56332 | Aquarius Fountain Set 12000 [INT] | | | |
| | 56315 | Aquarius Fountain Set 4000 [INT] | | | |
| | 56319 | Aquarius Fountain Set 6000 [INT] | | | |
| 13 | 56323 | Aquarius Fountain Set 8000 [INT] | 34804 | Spare sealing set Aquarius Fount. size 3 | 1 |
| | 56332 | Aquarius Fountain Set 12000 [INT] | | | |
| | 56315 | Aquarius Fountain Set 4000 [INT] | | | |
| | 56319 | Aquarius Fountain Set 6000 [INT] | | | |
| 13 | 56323 | Aquarius Fountain Set 8000 [INT] | 25218 | Stepped hose tail 1 1/2" black | 1 |
| | 56332 | Aquarius Fountain Set 12000 [INT] | | | |
| | 56315 | Aquarius Fountain Set 4000 [INT] | | | |

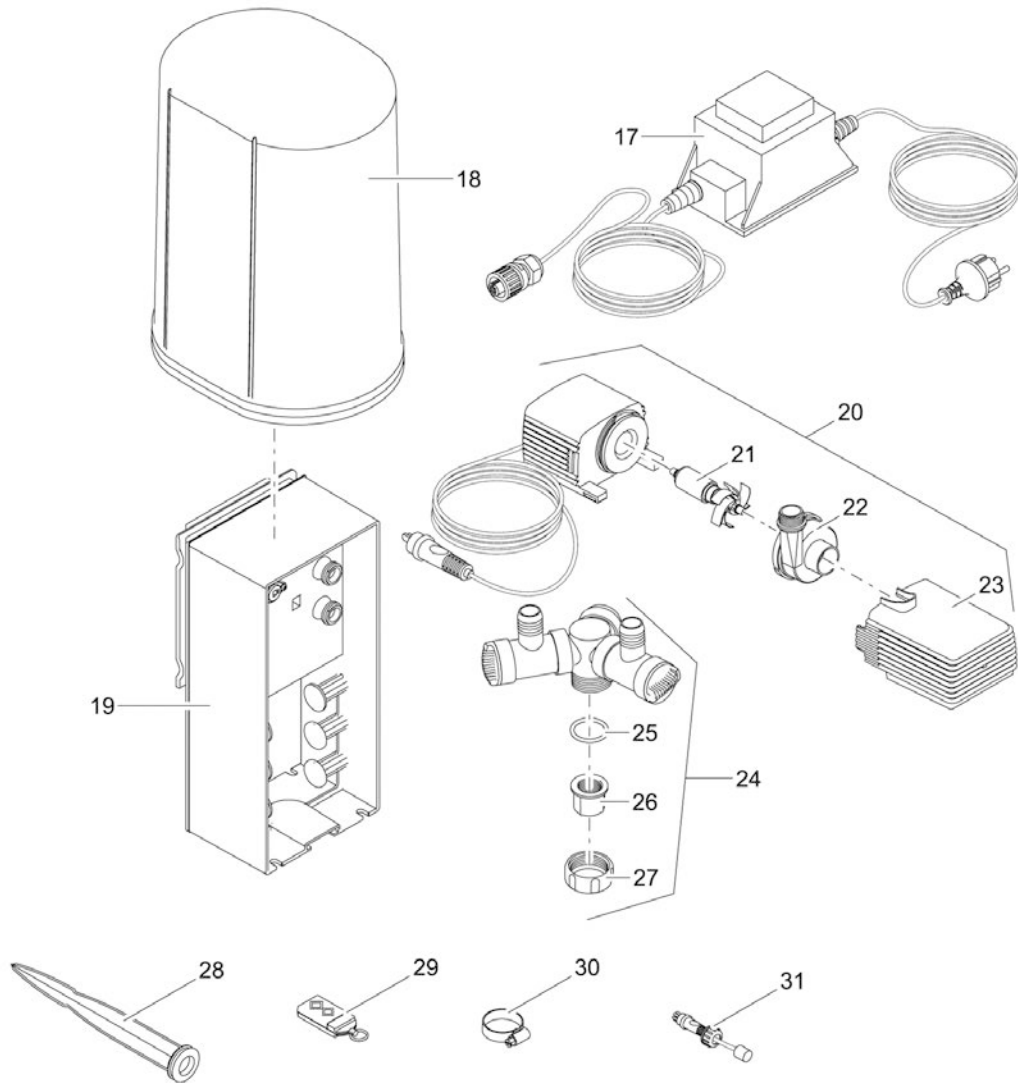
| Item no. | Product |
|----------|------------------------------------|
| 50052 | JumpingJet Rainbow Star Set |
| 50053 | JumpingJet Rainbow Star Add-on Set |



| Pos. | Item no. Product | Product | Item no. Spare part | Spare part | Number |
|------|---------------------|--|------------------------|-----------------------------------|--------|
| 1 | 50052 | JumpingJet Rainbow Star Set [INT] | 5949 | Cylinder screw V2A DIN 912 6 x 16 | 1 |
| | 50053 | JumpingJet Rainbow Star Add-on Set [INT] | | | |
| 2 | 50052 | JumpingJet Rainbow Star Set [INT] | 35925 | Spare part dome JumpingJet | 1 |
| | 50053 | JumpingJet Rainbow Star Add-on Set [INT] | | | |
| 3 | 50052 | JumpingJet Rainbow Star Set [INT] | 27597 | O-Ring EPDM 218 x 8 SH50 black | 1 |
| | 50053 | JumpingJet Rainbow Star Add-on Set [INT] | | | |
| 4 | 50052 | JumpingJet Rainbow Star Set [INT] | 24563 | Elbow 90° G1 I-A plastic | 1 |
| | 50053 | JumpingJet Rainbow Star Add-on Set [INT] | | | |
| 5 | 50052 | JumpingJet Rainbow Star Set [INT] | 27503 | Double bush IG 1" | 1 |
| | 50053 | JumpingJet Rainbow Star Add-on Set [INT] | | | |
| 6 | 50052 | JumpingJet Rainbow Star Set [INT] | 10092 | Hose tail machined | 1 |
| | 50053 | JumpingJet Rainbow Star Add-on Set [INT] | | | |
| 7 | 50052 | JumpingJet Rainbow Star Set [INT] | 6284 | Hose clamp VA 22 - 32 mm | 1 |
| | 50053 | JumpingJet Rainbow Star Add-on Set [INT] | | | |
| 8 | 50052 | JumpingJet Rainbow Star Set [INT] | 10199 | ASM base fixing kit JumpingJet | 1 |
| | 50053 | JumpingJet Rainbow Star Add-on Set [INT] | | | |
| 9 | 50052 | JumpingJet Rainbow Star Set [INT] | 29794 | Device base JumpingJet | 1 |
| | 50053 | JumpingJet Rainbow Star Add-on Set [INT] | | | |
| 10 | 50052 | JumpingJet Rainbow Star Set [INT] | 29795 | Diffusor plate | 1 |
| | 50053 | JumpingJet Rainbow Star Add-on Set [INT] | | | |
| 11 | 50052 | JumpingJet Rainbow Star Set [INT] | 10655 | Screen insert water stabilizer | 1 |
| | 50053 | JumpingJet Rainbow Star Add-on Set [INT] | | | |
| 12 | 50052 | JumpingJet Rainbow Star Set [INT] | 29769 | Filterinsert blue type FTM-365A | 1 |
| | 50053 | JumpingJet Rainbow Star Add-on Set [INT] | | | |
| 13 | 50052 | JumpingJet Rainbow Star Set [INT] | 20284 | Spike | 1 |
| | 50053 | JumpingJet Rainbow Star Add-on Set [INT] | | | |
| 14 | 50052 | JumpingJet Rainbow Star Set [INT] | 10893 | Spare FM-Master JumpingJet | 1 |
| | 50053 | JumpingJet Rainbow Star Add-on Set [INT] | | | |
| 15 | 50052 | JumpingJet Rainbow Star Set [INT] | 33371 | Cover FM-Master | 1 |
| | 50053 | JumpingJet Rainbow Star Add-on Set [INT] | | | |
| 16 | 50052 | JumpingJet Rainbow Star Set [INT] | 22653 | Remote control FM-Master | 1 |
| | 50053 | JumpingJet Rainbow Star Add-on Set [INT] | | | |
| 17 | 50052 | JumpingJet Rainbow Star Set [INT] | 14496 | Teach-in pin FM-Master | 1 |
| | 50053 | JumpingJet Rainbow Star Add-on Set [INT] | | | |
| 18 | 50052 | JumpingJet Rainbow Star Set [INT] | 56668 | Y-distributor 1 1/2" | 1 |
| | 50053 | JumpingJet Rainbow Star Add-on Set [INT] | | | |
| 19 | 50052 | JumpingJet Rainbow Star Set [INT] | 10632 | Snapper SNP8 black | 1 |
| | 50053 | JumpingJet Rainbow Star Add-on Set [INT] | | | |
| 20 | 50052 | JumpingJet Rainbow Star Set [INT] | 10673 | Hexagon screwdriver 5 mm | 1 |
| | 50053 | JumpingJet Rainbow Star Add-on Set [INT] | | | |

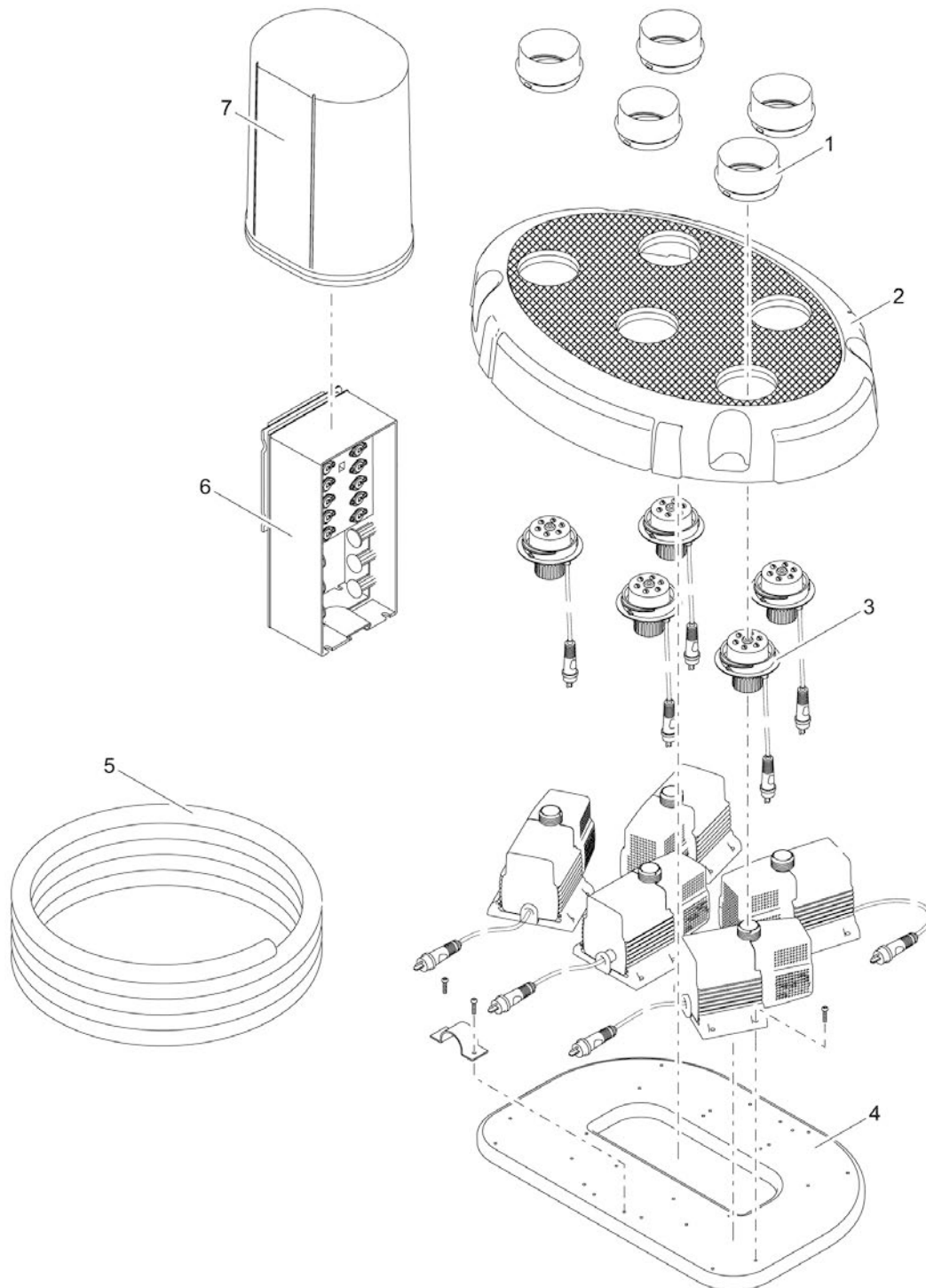
| Item no. | Product |
|----------|---------------------|
| 50191 | Water Jet Lightning |

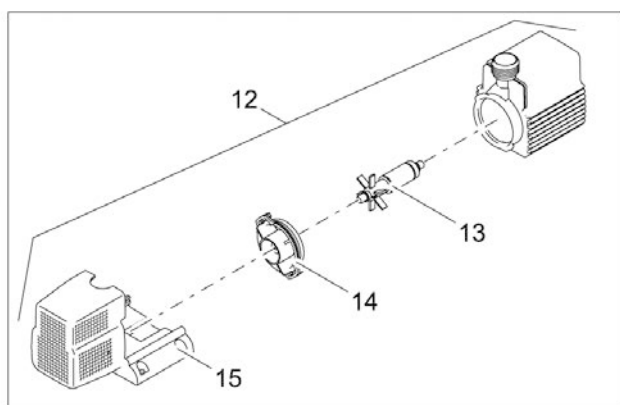
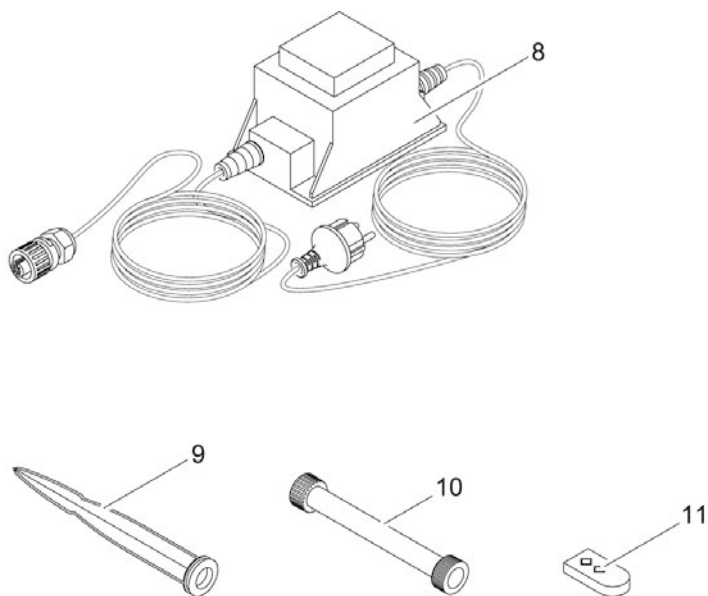




| Pos. | Item no. Product | Product | Item no. Spare part | Spare part | Number |
|------|---------------------|---------------------------|------------------------|---|--------|
| 1 | 50191 | Water Jet Lightning [INT] | 11513 | Metal header Water Jet Lightning | 1 |
| 2 | 50191 | Water Jet Lightning [INT] | 11273 | Bajonett top Water Jet Lightning | 1 |
| 3 | 50191 | Water Jet Lightning [INT] | 3517 | O-Ring NBR 12 x 2 SH75 | 1 |
| 4 | 50191 | Water Jet Lightning [INT] | 11343 | Nozzle plate D8 Water Jet Lightning | 1 |
| 5 | 50191 | Water Jet Lightning [INT] | 11498 | TP-screw V2A 1411 KA 3.5-8 | 3 |
| 6 | 50191 | Water Jet Lightning [INT] | 11519 | Foam Water Jet Lightning D105 x 50 | 1 |
| 7 | 50191 | Water Jet Lightning [INT] | 11353 | ASM power LED Water Jet Lightning | 1 |
| 8 | 50191 | Water Jet Lightning [INT] | 11497 | O-Ring SI 100 x 4 SH45 | 1 |
| 9 | 50191 | Water Jet Lightning [INT] | 11631 | TP-screw 1411 KA 50-14 | 3 |
| 10 | 50191 | Water Jet Lightning [INT] | 11275 | Inner part Water Jet Lightning | 1 |
| 11 | 50191 | Water Jet Lightning [INT] | 11497 | O-Ring SI 100 x 4 SH45 | 1 |
| 12 | 50191 | Water Jet Lightning [INT] | 12434 | ASM base Water Jet Lightning | 1 |
| 13 | 50191 | Water Jet Lightning [INT] | 11329 | Stand Water Jet Lightning | 1 |
| 14 | 50191 | Water Jet Lightning [INT] | 28924 | Clamp screw LunAqua 3 ASA | 1 |
| 15 | 50191 | Water Jet Lightning [INT] | 11500 | 90° elbow 1" + nut + gasket | 1 |
| 17 | 50191 | Water Jet Lightning [INT] | 77023 | Power supply 100 VA / 12 V DC 8A V-2020 | 1 |
| 18 | 50191 | Water Jet Lightning [INT] | 33371 | Cover FM-Master | 1 |
| 19 | 50191 | Water Jet Lightning [INT] | 12492 | Spare controller WaterJet Lightning | 1 |
| 20 | 50191 | Water Jet Lightning [INT] | 11890 | ASM pump Water Jet Lightning | 1 |
| 21 | 50191 | Water Jet Lightning [INT] | 19174 | ASM impeller cpl. Water Jet Lightning | 1 |
| 22 | 50191 | Water Jet Lightning [INT] | 34674 | Pump housing S 3-2 | 1 |
| 23 | 50191 | Water Jet Lightning [INT] | 19310 | Plug in filter 1500 - 2500 | 1 |
| 24 | 50191 | Water Jet Lightning [INT] | 11850 | 2 way distributor 3/4" | 1 |
| 25 | 50191 | Water Jet Lightning [INT] | 27014 | O-Ring NBR 25.5 x 3 SH70 A | 1 |
| 26 | 50191 | Water Jet Lightning [INT] | 27064 | Reducing piece 1/2" Multi WD | 1 |
| 27 | 50191 | Water Jet Lightning [INT] | 12094 | Coupling nut 1" | 1 |
| 28 | 50191 | Water Jet Lightning [INT] | 20284 | Spike | 1 |
| 29 | 50191 | Water Jet Lightning [INT] | 11282 | 2 channel remote control | 1 |
| 30 | 50191 | Water Jet Lightning [INT] | 11818 | Hose clamp 20 - 32 mm | 1 |

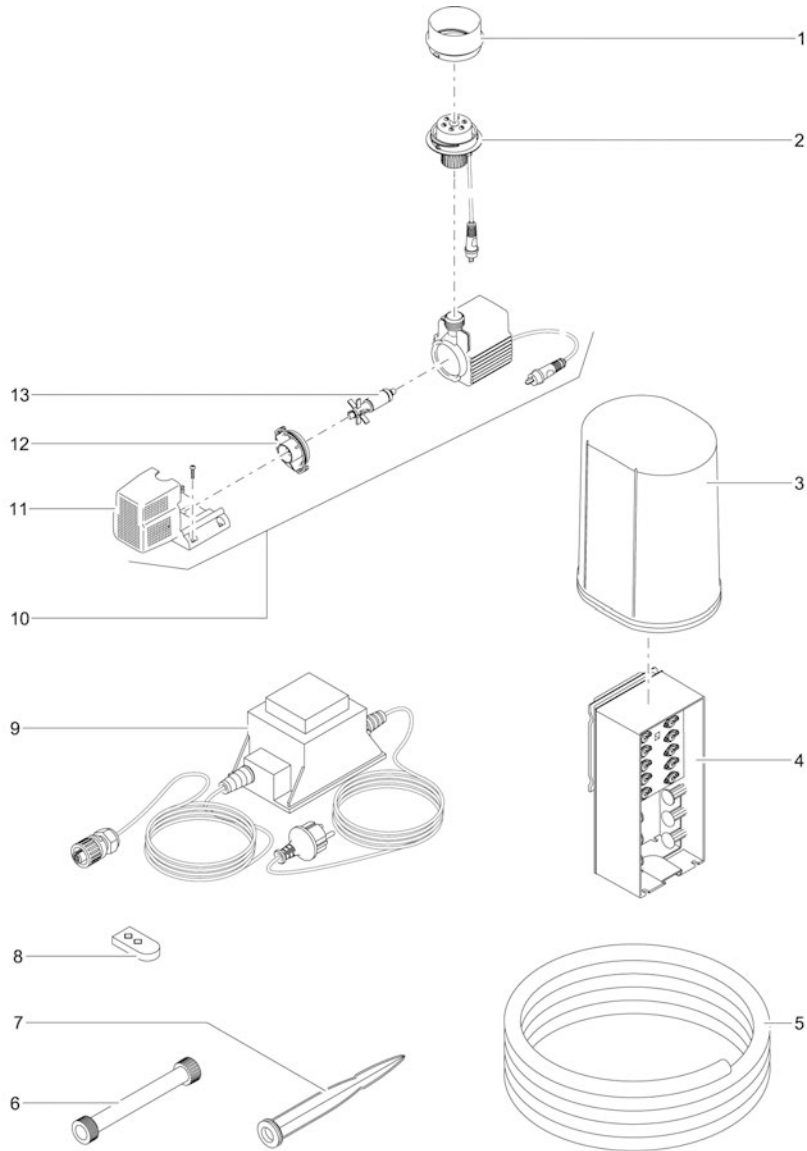
| Item no. | Product |
|----------|---------------|
| 50187 | Water Quintet |





| Pos. | Item no. Product | Product | Item no. Spare part | Spare part | Number |
|------|------------------|---------------------|---------------------|--|--------|
| 1 | 50187 | Water Quintet [INT] | 11878 | Nozzle protector | 5 |
| 2 | 50187 | Water Quintet [INT] | 11959 | ASM top cover Water Quintet | 1 |
| 3 | 50187 | Water Quintet [INT] | 76611 | ASM LED nozzle Water Trio / Quintet warm | 5 |
| 4 | 50187 | Water Quintet [INT] | 11884 | Base plate Water Trio / Quintet | 1 |
| 5 | 50187 | Water Quintet [INT] | 12475 | ASM cable protection Water Quintet | 1 |
| 6 | 50187 | Water Quintet [INT] | 11994 | ASM controller Quintet programmed | 1 |
| 7 | 50187 | Water Quintet [INT] | 33371 | Cover FM-Master | 1 |
| 8 | 50187 | Water Quintet [INT] | 77023 | Power supply 100 VA / 12 V DC 8A V-2020 | 1 |
| 9 | 50187 | Water Quintet [INT] | 20284 | Spike | 1 |
| 10 | 50187 | Water Quintet [INT] | 11993 | ASM extension Water Trio / Quintet | 10 |
| 11 | 50187 | Water Quintet [INT] | 11282 | 2 channel remote control | 1 |
| 12 | 50187 | Water Quintet [INT] | 11978 | ASM pump Easy EC | 5 |
| 13 | 50187 | Water Quintet [INT] | 46660 | Spare rotor Easy EC | 5 |
| 14 | 50187 | Water Quintet [INT] | 12474 | ASM bearing plate w. gasket Trio/Quintet | 5 |
| 15 | 50187 | Water Quintet [INT] | 11909 | Filter housing Easy EC | 5 |

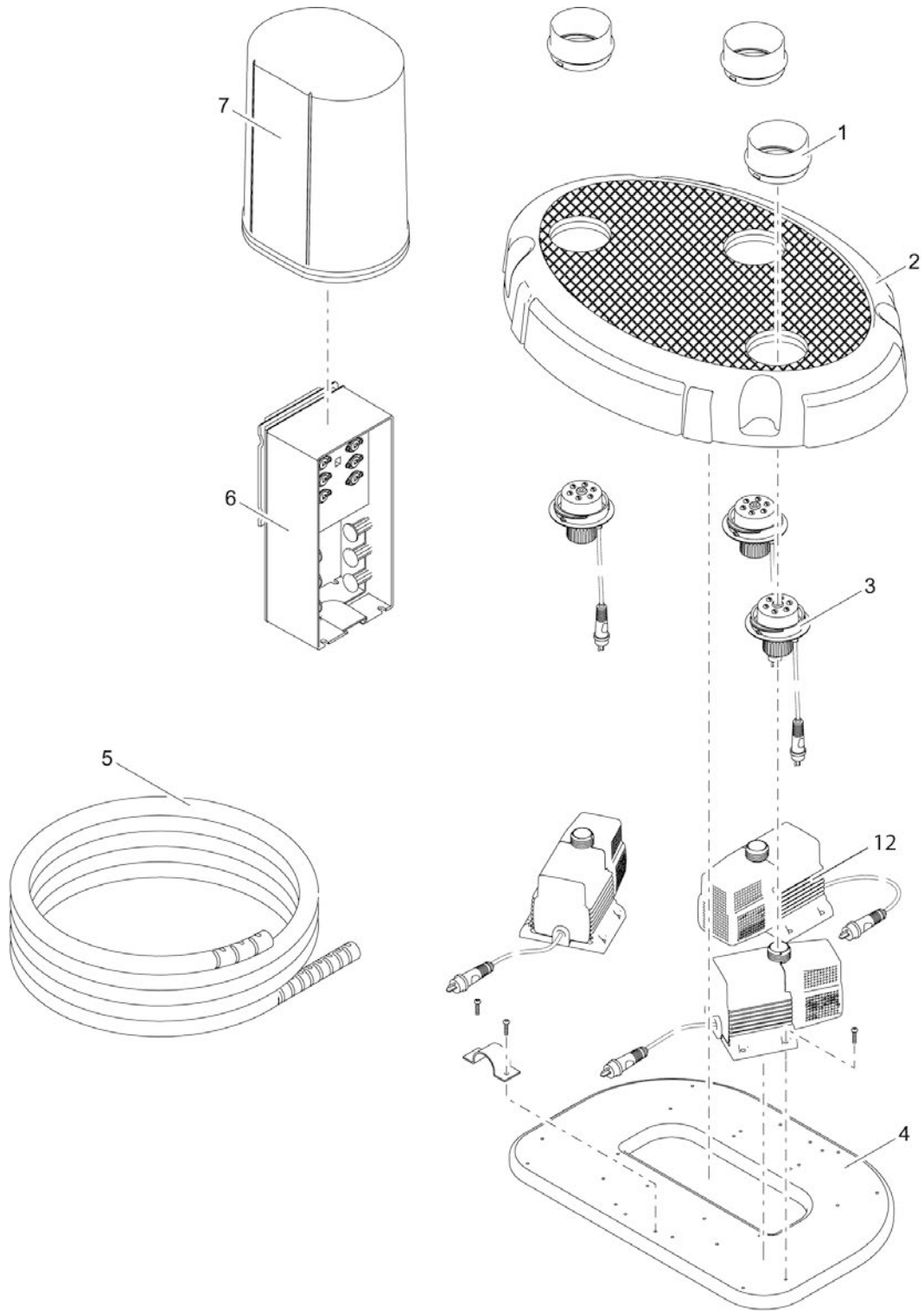
| Item no. | Product |
|----------|------------------------|
| 50394 | Water Quintet Creative |

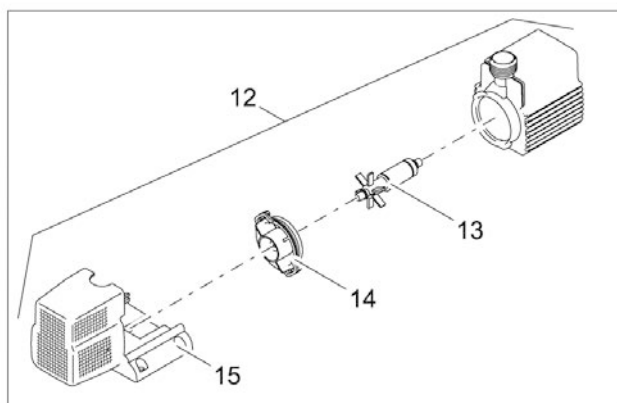
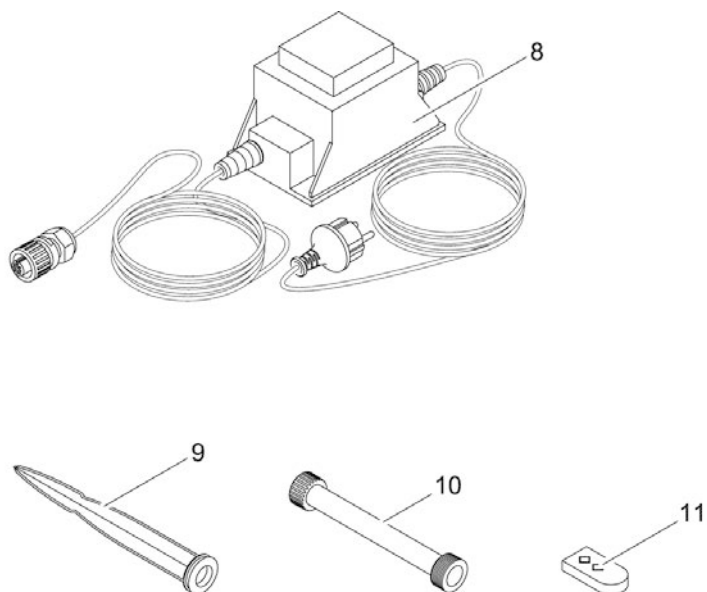


| Pos. | Item no. Product | Product | Item no. Spare part | Spare part | Number |
|------|------------------|------------------------------|---------------------|--|--------|
| 1 | 50394 | Water Quintet Creative [INT] | 11878 | Nozzle protector | 5 |
| 2 | 50394 | Water Quintet Creative [INT] | 76611 | ASM LED nozzle Water Trio / Quintet warm | 5 |
| 3 | 50394 | Water Quintet Creative [INT] | 33371 | Cover FM-Master | 1 |
| 4 | 50394 | Water Quintet Creative [INT] | 11994 | ASM controller Quintet programmed | 1 |
| 5 | 50394 | Water Quintet Creative [INT] | 12475 | ASM cable protection Water Quintet | 1 |
| 6 | 50394 | Water Quintet Creative [INT] | 11993 | ASM extension Water Trio / Quintet | 10 |
| 7 | 50394 | Water Quintet Creative [INT] | 20284 | Spike | 1 |
| 8 | 50394 | Water Quintet Creative [INT] | 11282 | 2 channel remote control | 1 |
| 9 | 50394 | Water Quintet Creative [INT] | 77023 | Power supply 100 VA / 12 V DC 8A V-2020 | 1 |
| 10 | 50394 | Water Quintet Creative [INT] | 11978 | ASM pump Easy EC | 5 |
| 11 | 50394 | Water Quintet Creative [INT] | 11909 | Filter housing Easy EC | 5 |
| 12 | 50394 | Water Quintet Creative [INT] | 12474 | ASM bearing plate w. gasket Trio/Quintet | 5 |
| 13 | 50394 | Water Quintet Creative [INT] | 46660 | Spare rotor Easy EC | 5 |

Item no. Product

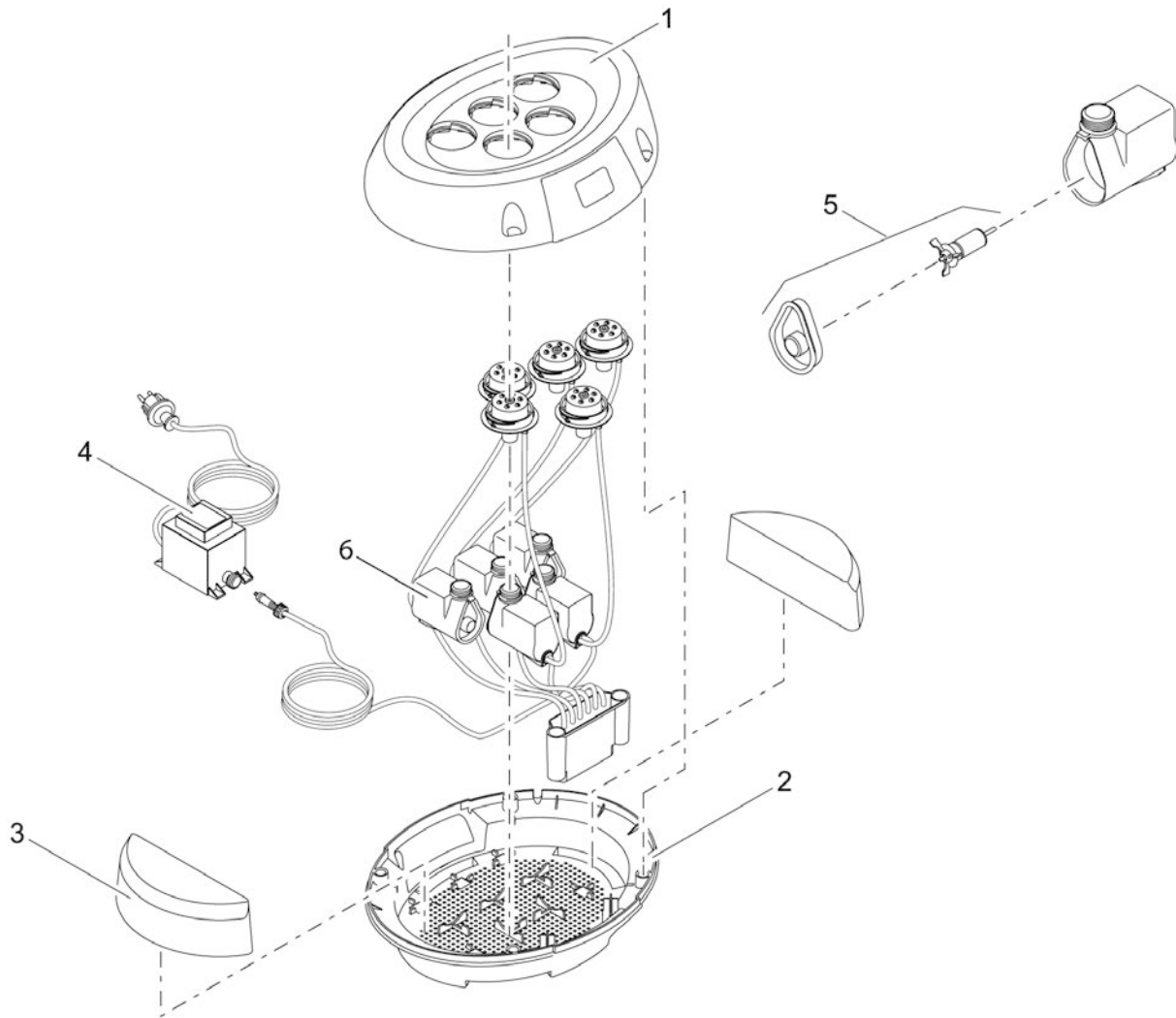
50240 Water Trio





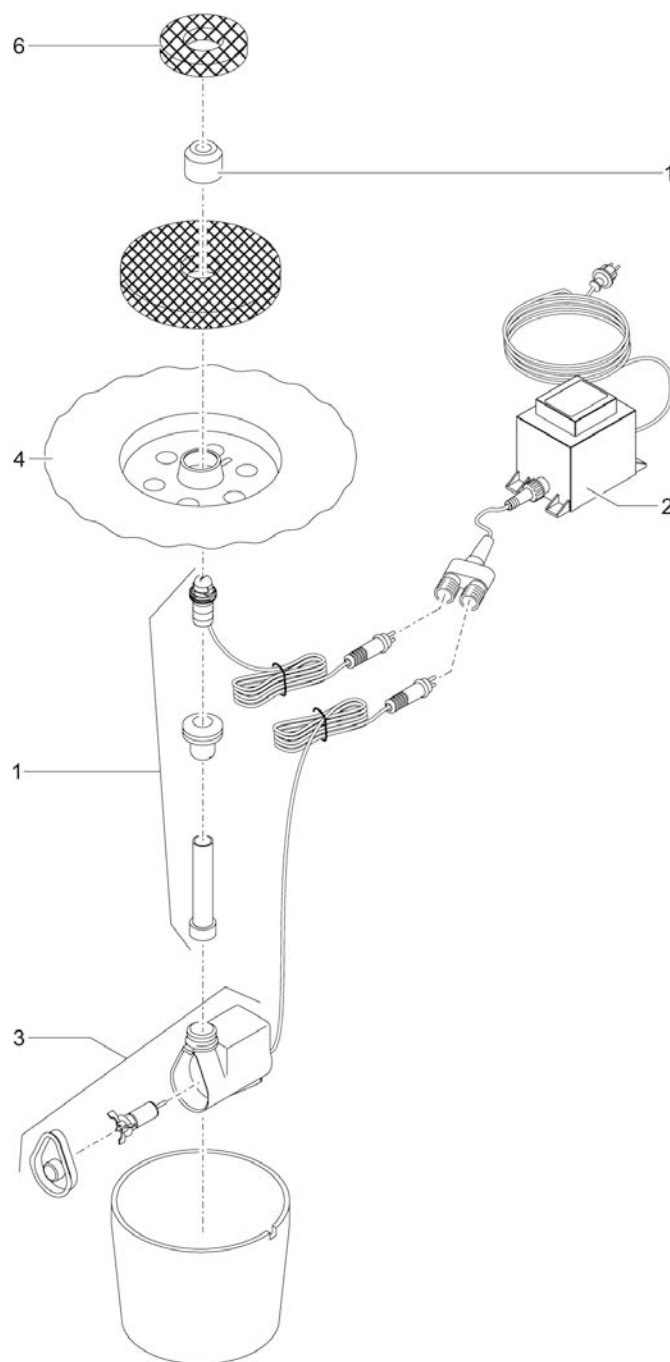
| Pos. | Item no. Product | Product | Item no. Spare part | Spare part | Number |
|------|------------------|------------------|---------------------|--|--------|
| 1 | 50240 | Water Trio [INT] | 11878 | Nozzle protector | 3 |
| 2 | 50240 | Water Trio [INT] | 11999 | ASM top cover Water Trio | 1 |
| 3 | 50240 | Water Trio [INT] | 76611 | ASM LED nozzle Water Trio / Quintet warm | 3 |
| 4 | 50240 | Water Trio [INT] | 11884 | Base plate Water Trio / Quintet | 1 |
| 5 | 50240 | Water Trio [INT] | 12476 | ASM cable protection Water Trio | 1 |
| 6 | 50240 | Water Trio [INT] | 12477 | ASM controller Trio programmed | 1 |
| 7 | 50240 | Water Trio [INT] | 33371 | Cover FM-Master | 1 |
| 8 | 50240 | Water Trio [INT] | 77023 | Power supply 100 VA / 12 V DC 8A V-2020 | 1 |
| 9 | 50240 | Water Trio [INT] | 20284 | Spike | 1 |
| 10 | 50240 | Water Trio [INT] | 11993 | ASM extension Water Trio / Quintet | 6 |
| 11 | 50240 | Water Trio [INT] | 11282 | 2 channel remote control | 1 |
| 12 | 50240 | Water Trio [INT] | 11978 | ASM pump Easy EC | 3 |
| 13 | 50240 | Water Trio [INT] | 46660 | Spare rotor Easy EC | 3 |
| 14 | 50240 | Water Trio [INT] | 12474 | ASM bearing plate w. gasket Trio/Quintet | 3 |
| 15 | 50240 | Water Trio [INT] | 11909 | Filter housing Easy EC | 3 |

| Item no. | Product |
|----------|---------------|
| 50214 | Water Starlet |



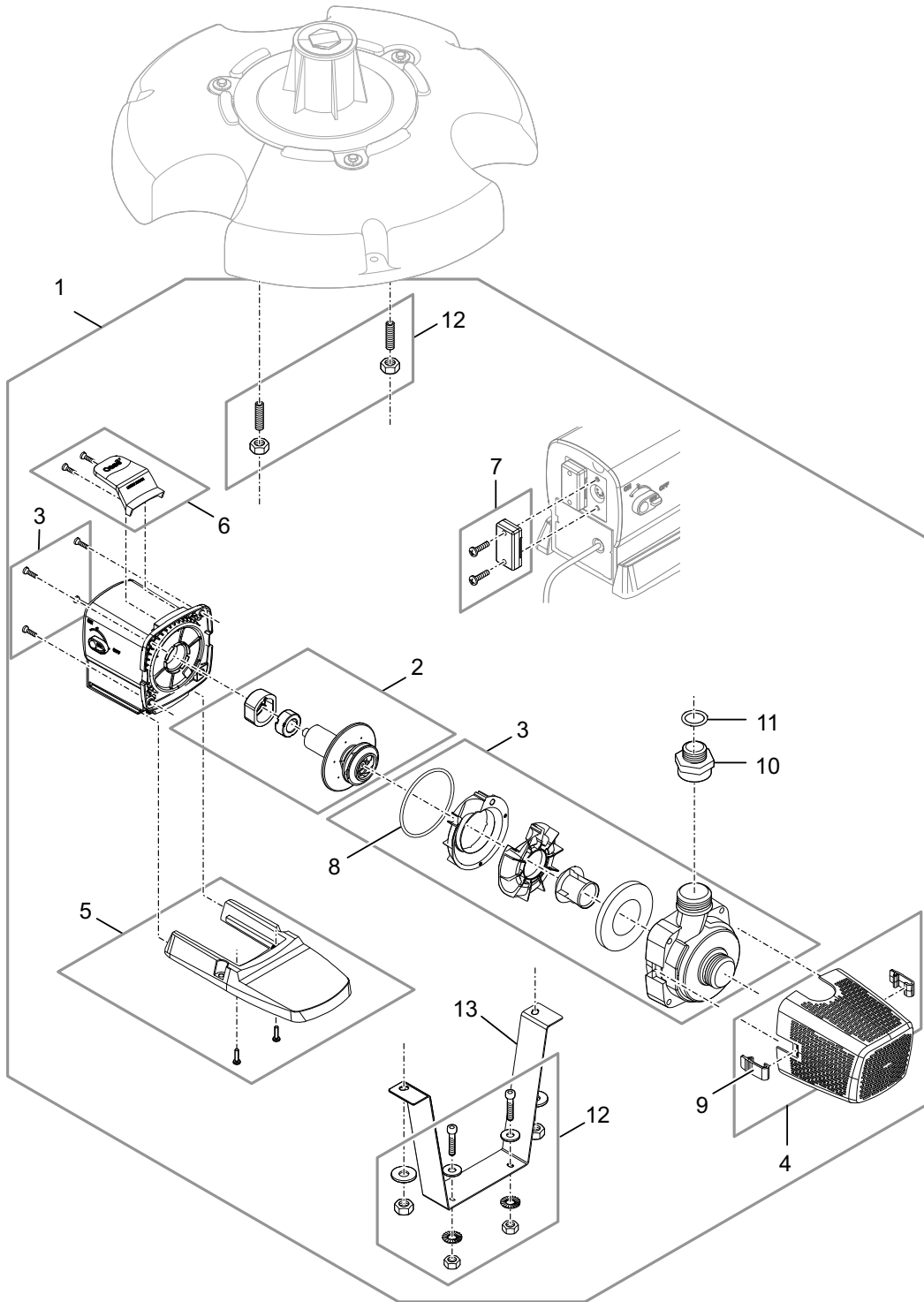
| Pos. | Item no. Product | Product | Item no. Spare part | Spare part | Number |
|------|------------------|---------------------|---------------------|--|--------|
| 1 | 50214 | Water Starlet [INT] | 11834 | Spare housing Water Starlet incl sticker | 1 |
| 2 | 50214 | Water Starlet [INT] | 11835 | Housing bottom part Water Starlet | 1 |
| 3 | 50214 | Water Starlet [INT] | 12293 | Float Water Starlet | 2 |
| 4 | 50214 | Water Starlet [INT] | 12126 | Transformer DE-45-12W with 1 outlet | 1 |
| 5 | 50214 | Water Starlet [INT] | 12346 | ASM spare part rotor Water Starlet cpl. | 1 |
| 6 | 50214 | Water Starlet [INT] | 76608 | ASM LED pump rep. kit Water Starlet warm | 5 |

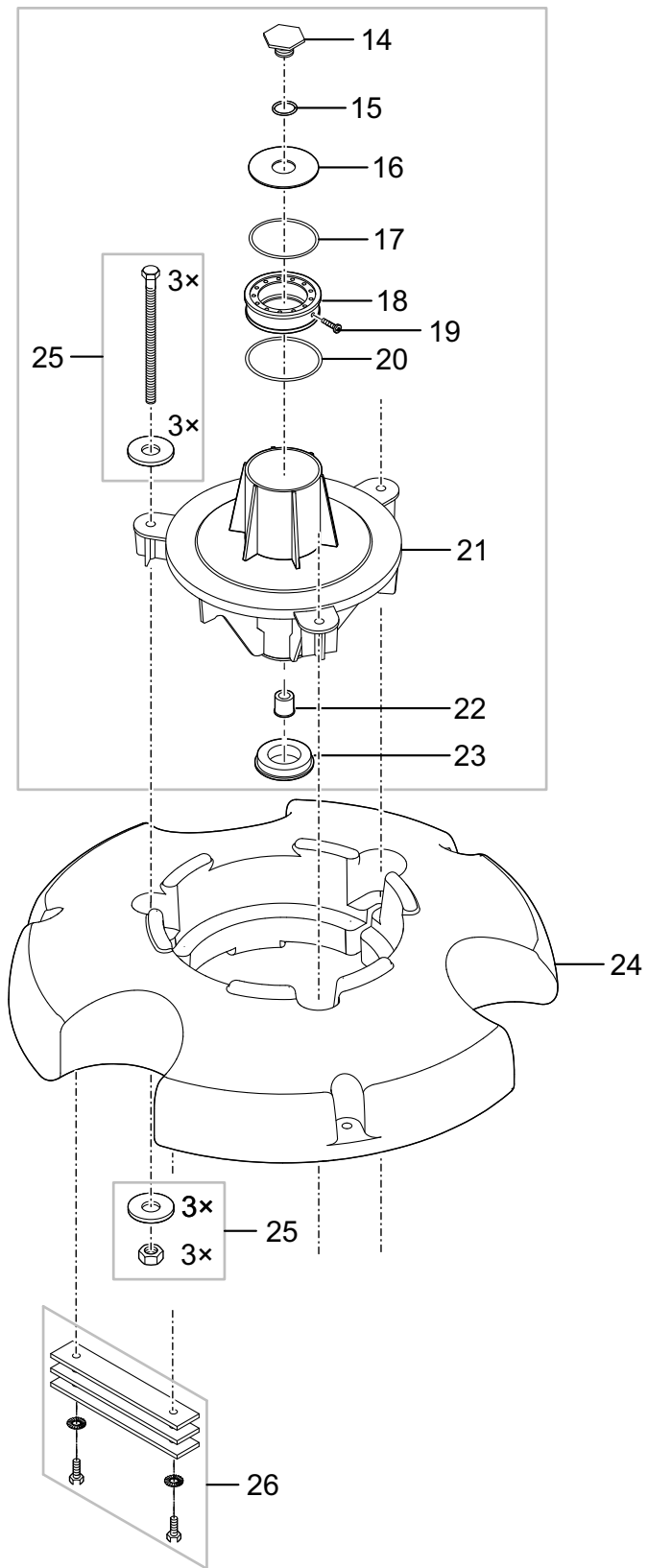
| Item no. | Product |
|----------|----------------------|
| 50407 | LunaLed Creative Set |



| Pos. | Item no. Product | Product | Item no. Spare part | Spare part | Number |
|------|---------------------|----------------------------|------------------------|--|--------|
| 1 | 50407 | LunaLed Creative Set [INT] | 13540 | ASM LunaLed 9s set | 1 |
| 2 | 50407 | LunaLed Creative Set [INT] | 13534 | Transformer 10 VA - 12 W | 1 |
| 3 | 50407 | LunaLed Creative Set [INT] | 13538 | ASM pump LunaLed Creative Set | 1 |
| 4 | 50407 | LunaLed Creative Set [INT] | 13425 | Cover LunaLed Creative Set | 1 |
| 6 | 50407 | LunaLed Creative Set [INT] | 14142 | Splash guard collar LunaLed Creative Set | 1 |

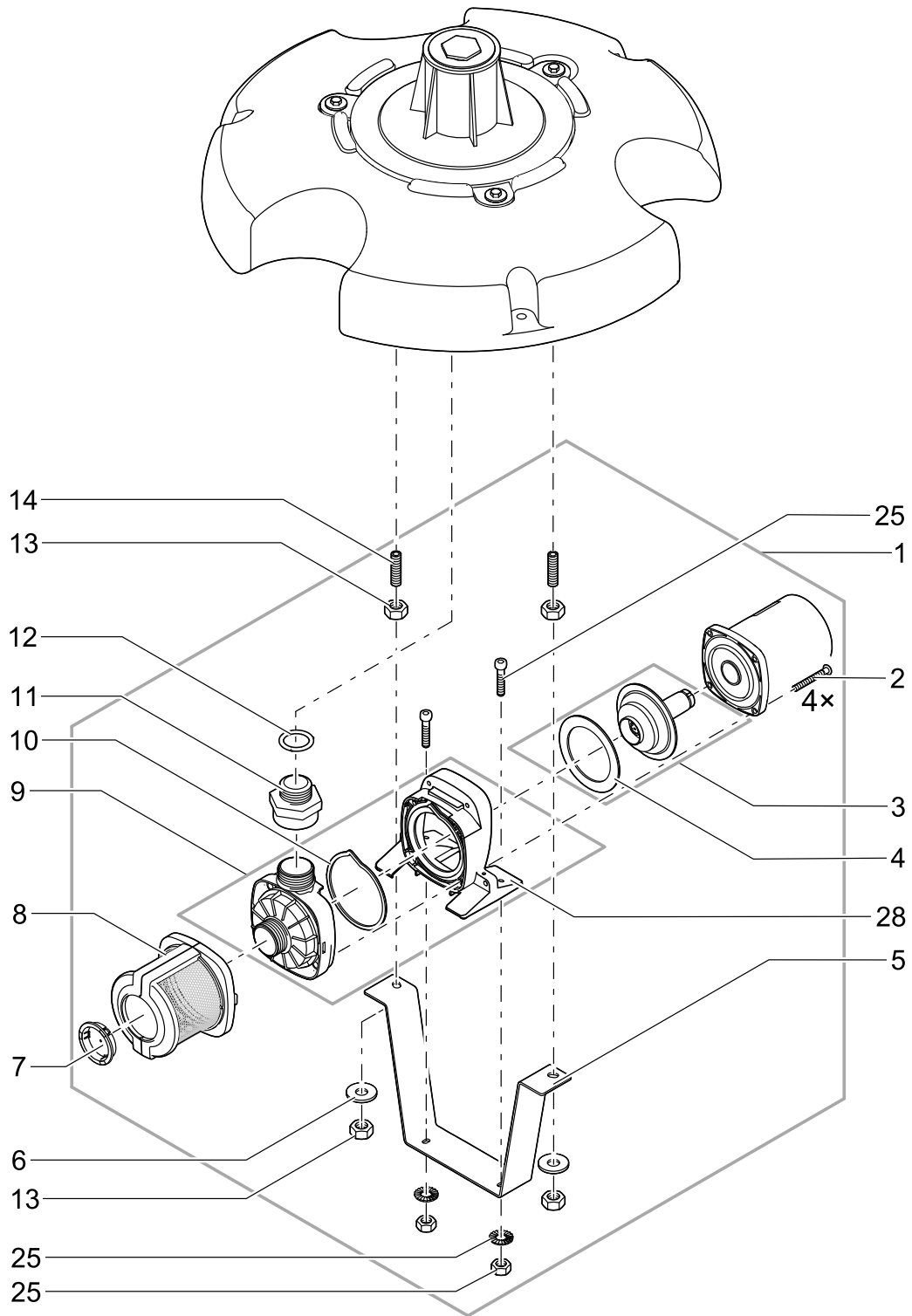
| Item no. | Product |
|----------|------------------------|
| 95472 | PondJet Eco Premium |
| 95473 | GB PondJet Eco Premium |

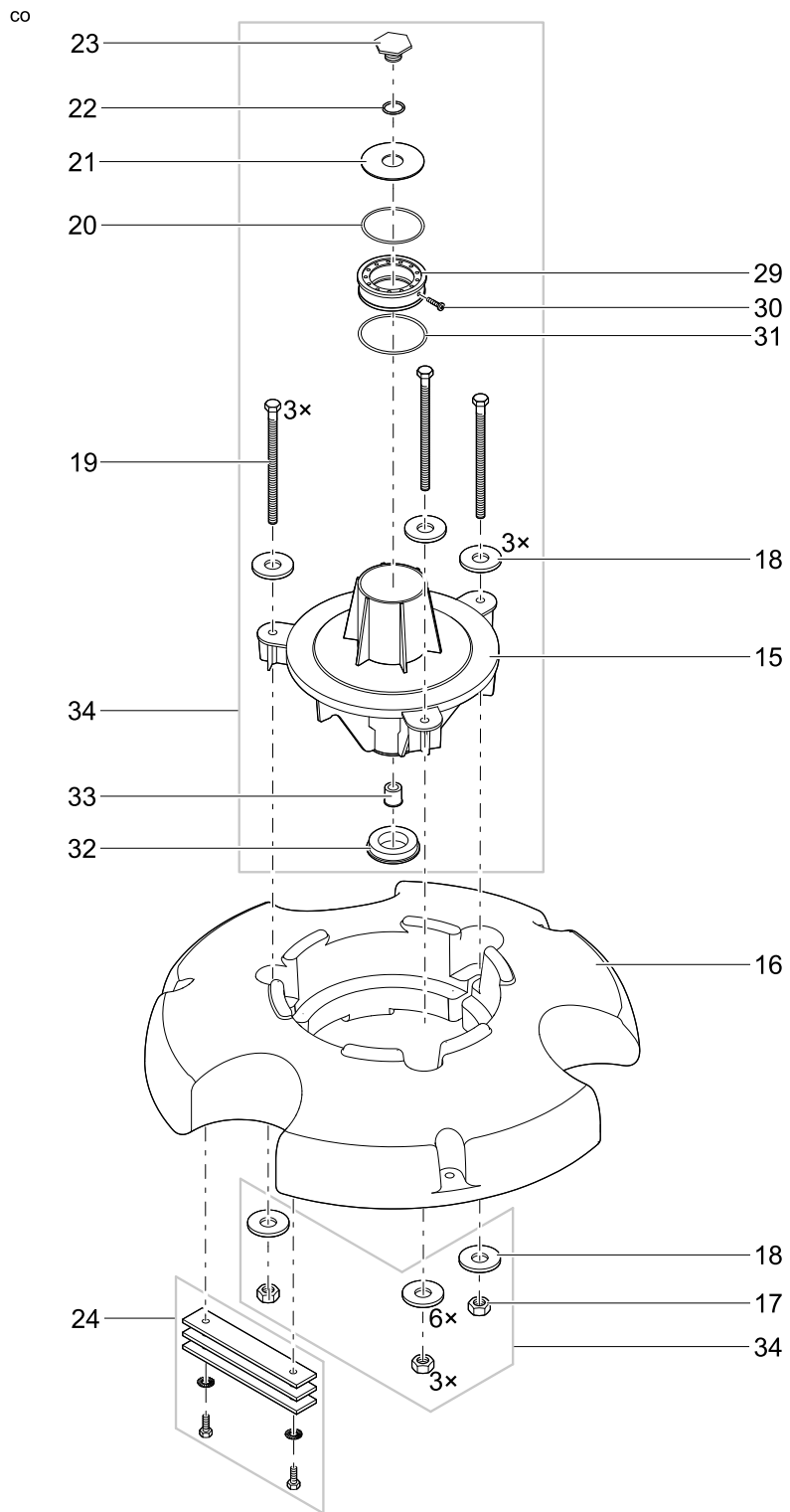




| Pos. | Item no. Product | Product | Item no. Spare part | Spare part | Number |
|------|---------------------|---------------------------|------------------------|--|--------|
| 1 | 95472 | PondJet Eco Premium [INT] | 97706 | Service Pack PondJet Eco Premium | 1 |
| | 95473 | PondJet Eco Premium [GB] | | | |
| 2 | 95472 | PondJet Eco Premium [INT] | 97200 | Spare rotor Aquarius Eco Premium 16500 | 1 |
| | 95473 | PondJet Eco Premium [GB] | | | |
| 3 | 95472 | PondJet Eco Premium [INT] | 97203 | Spare pump housing Aquarius EcoPre.13500 | 1 |
| | 95473 | PondJet Eco Premium [GB] | | | |
| 4 | 95472 | PondJet Eco Premium [INT] | 97206 | Spare strainer Aquarius Eco Prem. 16500 | 1 |
| | 95473 | PondJet Eco Premium [GB] | | | |
| 5 | 95472 | PondJet Eco Premium [INT] | 97208 | Spare base Aquarius Eco Premium 16500 | 1 |
| | 95473 | PondJet Eco Premium [GB] | | | |
| 6 | 95472 | PondJet Eco Premium [INT] | 97209 | Spare holder Aquarius Eco Premium | 1 |
| | 95473 | PondJet Eco Premium [GB] | | | |
| 7 | 95472 | PondJet Eco Premium [INT] | 97110 | ASM gland seal with gasket set L22 | 1 |
| | 95473 | PondJet Eco Premium [GB] | | | |
| 8 | 95472 | PondJet Eco Premium [INT] | 90949 | O-Ring NBR 108 x 4.5 SH70 | 1 |
| | 95473 | PondJet Eco Premium [GB] | | | |
| 9 | 95472 | PondJet Eco Premium [INT] | 30983 | Clip Bitron Eco / AquaMax | 1 |
| | 95473 | PondJet Eco Premium [GB] | | | |
| 10 | 95472 | PondJet Eco Premium [INT] | 40569 | Reducing nipple PVC 1 1/4" - 1 1/2" | 1 |
| | 95473 | PondJet Eco Premium [GB] | | | |
| 12 | 95472 | PondJet Eco Premium [INT] | 97705 | Spare screw set PondJet Eco Premium II | 1 |
| | 95473 | PondJet Eco Premium [GB] | | | |
| 13 | 95472 | PondJet Eco Premium [INT] | 96663 | Retaining bracket PondJet Eco Premium | 1 |
| | 95473 | PondJet Eco Premium [GB] | | | |
| 14 | 95472 | PondJet Eco Premium [INT] | 19544 | Plug G1 PondJet | 1 |
| | 95473 | PondJet Eco Premium [GB] | | | |
| 15 | 95472 | PondJet Eco Premium [INT] | 13290 | O-Ring NBR 33 x 3 SH70 black | 1 |
| | 95473 | PondJet Eco Premium [GB] | | | |
| 16 | 95472 | PondJet Eco Premium [INT] | 19545 | Washer PondJet | 1 |
| | 95473 | PondJet Eco Premium [GB] | | | |
| 17 | 95472 | PondJet Eco Premium [INT] | 3578 | O-Ring NBR 72 x 4 SH75 | 1 |
| | 95473 | PondJet Eco Premium [GB] | | | |
| 18 | 95472 | PondJet Eco Premium [INT] | 19282 | Nozzle insert Vulcan 12 PondJet | 1 |
| | 95473 | PondJet Eco Premium [GB] | | | |
| 19 | 95472 | PondJet Eco Premium [INT] | 16663 | Countersunk screw V4A DIN 7991 M5 x 10 | 1 |
| | 95473 | PondJet Eco Premium [GB] | | | |
| 20 | 95472 | PondJet Eco Premium [INT] | 3579 | O-Ring NBR 76 x 4 SH70 | 1 |
| | 95473 | PondJet Eco Premium [GB] | | | |
| 21 | 95472 | PondJet Eco Premium [INT] | 19279 | Fountain nozzle unit PondJet | 1 |
| | 95473 | PondJet Eco Premium [GB] | | | |
| 22 | 95472 | PondJet Eco Premium [INT] | 10035 | Water stabilizer Komet 10 - 12 T / 14 | 1 |
| | 95473 | PondJet Eco Premium [GB] | | | |
| 23 | 95472 | PondJet Eco Premium [INT] | 19280 | Reducing nipple 2" NPT left - G 1 1/4 | 1 |
| | 95473 | PondJet Eco Premium [GB] | | | |
| 24 | 95472 | PondJet Eco Premium [INT] | 17939 | Float Mini without foam | 1 |
| | 95473 | PondJet Eco Premium [GB] | | | |
| 25 | 95472 | PondJet Eco Premium [INT] | 97704 | Spare screw set PondJet Eco Premium I | 1 |
| | 95473 | PondJet Eco Premium [GB] | | | |
| 26 | 95472 | PondJet Eco Premium [INT] | 47934 | Spare part counterweight PondJet Eco | 1 |
| | 95473 | PondJet Eco Premium [GB] | | | |

| Item no. | Product |
|----------|----------------|
| 57704 | PondJet Eco |
| 72930 | GB PondJet Eco |

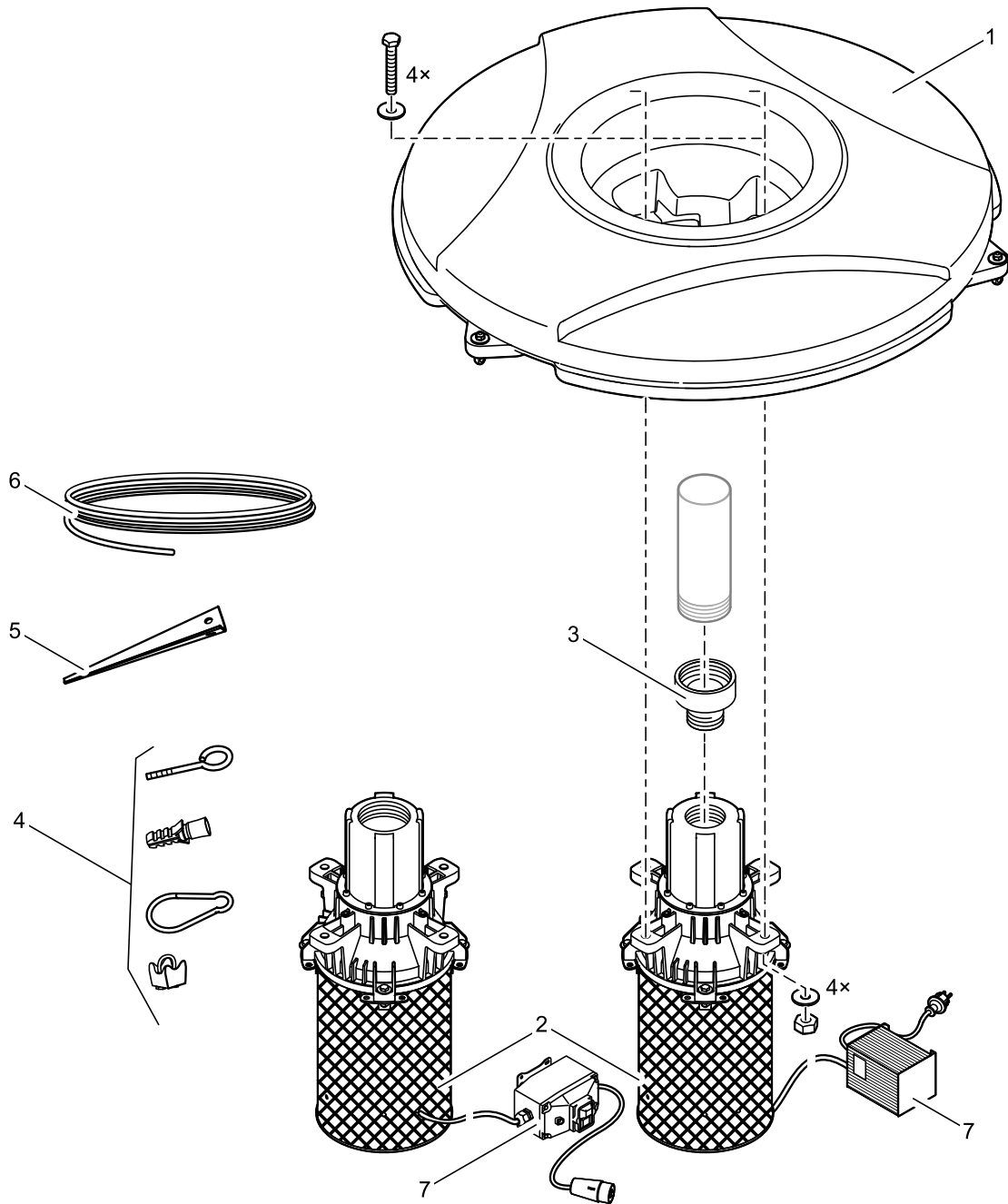




| Pos. | Item no. Product | Product | Item no. Spare part | Spare part | Number |
|------|---------------------|-------------------|------------------------|--|--------|
| 1 | 57704 | PondJet Eco [INT] | 42088 | Service pack PondJet Eco | 1 |
| | 72930 | PondJet Eco [GB] | 73391 | Service Pack PondJet Eco | 1 |
| 2 | 57704 | PondJet Eco [INT] | 25424 | Safety screw V2A M5x40 torx-drive w. pin | 4 |
| | 72930 | PondJet Eco [GB] | | | 1 |
| 3 | 57704 | PondJet Eco [INT] | 40467 | Spare rotor pump PondJet Eco | 1 |
| | 72930 | PondJet Eco [GB] | | | 1 |
| 4 | 57704 | PondJet Eco [INT] | 24151 | Flat gasket NBR 107 x 78 x 2.5 SH45 | 1 |
| | 72930 | PondJet Eco [GB] | | | 1 |
| 5 | 57704 | PondJet Eco [INT] | 10330 | Retaining bracket PondJet | 1 |
| | 72930 | PondJet Eco [GB] | | | 1 |
| 6 | 57704 | PondJet Eco [INT] | 6135 | Washer 1.4301 DIN 125 6.4 | 1 |
| | 72930 | PondJet Eco [GB] | | | 1 |
| 7 | 57704 | PondJet Eco [INT] | 35881 | Inlet cover front EC2 FT | 1 |
| | 72930 | PondJet Eco [GB] | | | 1 |
| 8 | 57704 | PondJet Eco [INT] | 35252 | ASM pre filter Aquarius Universal size 5 | 1 |
| | 72930 | PondJet Eco [GB] | | | 1 |
| 9 | 57704 | PondJet Eco [INT] | 39927 | ASM pump housing PondJet Eco | 1 |
| | 72930 | PondJet Eco [GB] | | | 1 |
| 10 | 57704 | PondJet Eco [INT] | 13346 | Flat gasket 110 x 100 x 2.5 USP 60 | 1 |
| | 72930 | PondJet Eco [GB] | | | 1 |
| 11 | 57704 | PondJet Eco [INT] | 40569 | Reducing nipple PVC 1 1/4" - 1 1/2" | 1 |
| | 72930 | PondJet Eco [GB] | | | 1 |
| 12 | 57704 | PondJet Eco [INT] | 22279 | Flat gasket 40 x 30 x 2 SH70 | 1 |
| | 72930 | PondJet Eco [GB] | | | 1 |
| 13 | 57704 | PondJet Eco [INT] | 6106 | Hexagon nut V2A DIN 934 M8 | 1 |
| | 72930 | PondJet Eco [GB] | | | 1 |
| 14 | 57704 | PondJet Eco [INT] | 10852 | Set screw 4401 DIN 913 8 x 40 | 1 |
| | 72930 | PondJet Eco [GB] | | | 1 |
| 15 | 57704 | PondJet Eco [INT] | 19279 | Fountain nozzle unit PondJet | 1 |
| | 72930 | PondJet Eco [GB] | | | 1 |
| 16 | 57704 | PondJet Eco [INT] | 17939 | Float Mini without foam | 1 |
| | 72930 | PondJet Eco [GB] | | | 1 |
| 17 | 57704 | PondJet Eco [INT] | 6129 | Lock nut V2A DIN 985 M8 | 3 |
| | 72930 | PondJet Eco [GB] | | | 1 |
| 18 | 57704 | PondJet Eco [INT] | 9848 | Washer V2A DIN 9021 10.5 | 6 |
| | 72930 | PondJet Eco [GB] | | | 1 |
| 19 | 57704 | PondJet Eco [INT] | 19288 | Hexagon bolt V2A DIN 931 M8 x 130 | 3 |
| | 72930 | PondJet Eco [GB] | | | 1 |
| 20 | 57704 | PondJet Eco [INT] | 3578 | O-Ring NBR 72 x 4 SH75 | 1 |
| | 72930 | PondJet Eco [GB] | | | 1 |
| 21 | 57704 | PondJet Eco [INT] | 19545 | Washer PondJet | 1 |
| | 72930 | PondJet Eco [GB] | | | 1 |
| 22 | 57704 | PondJet Eco [INT] | 13290 | O-Ring NBR 33 x 3 SH70 black | 1 |
| | 72930 | PondJet Eco [GB] | | | 1 |
| 23 | 57704 | PondJet Eco [INT] | 19544 | Plug G1 PondJet | 1 |
| | 72930 | PondJet Eco [GB] | | | 1 |

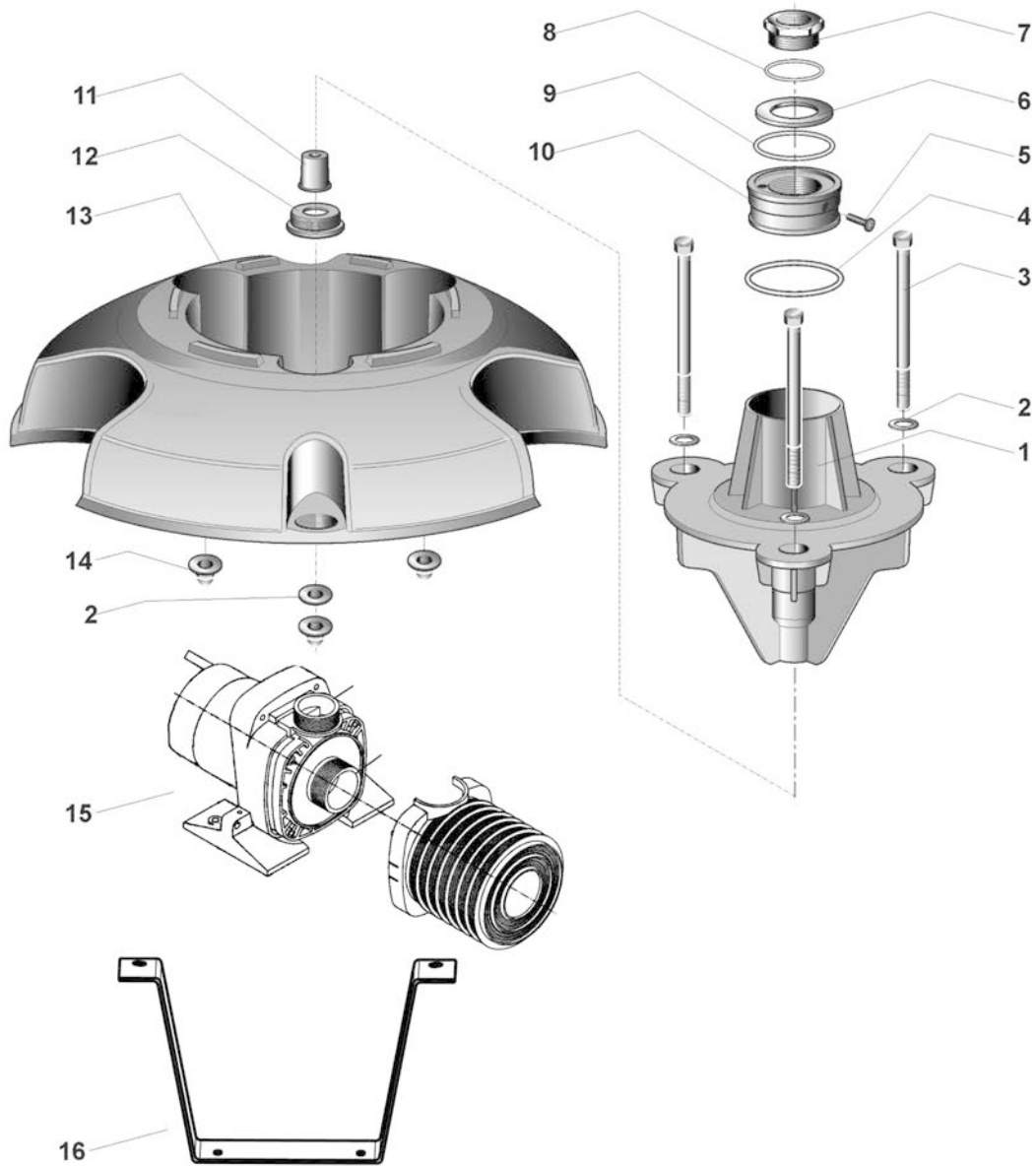
| Pos. | Item no. Product | Product | Item no. Spare part | Spare part | Number |
|------|---------------------|-------------------|------------------------|--|--------|
| 24 | 57704 | PondJet Eco [INT] | 47934 | Spare part counterweight PondJet Eco | 1 |
| | 72930 | PondJet Eco [GB] | | | |
| 25 | 57704 | PondJet Eco [INT] | 49695 | Screw set PondJet Eco | 1 |
| | 72930 | PondJet Eco [GB] | | | |
| 28 | 57704 | PondJet Eco [INT] | 38166 | ASM intermediate housing PondJet Eco | 1 |
| | 72930 | PondJet Eco [GB] | | | |
| 29 | 57704 | PondJet Eco [INT] | 19282 | Nozzle insert Vulcan 12 PondJet | 1 |
| | 72930 | PondJet Eco [GB] | | | |
| 30 | 57704 | PondJet Eco [INT] | 16663 | Countersunk screw V4A DIN 7991 M5 x 10 | 1 |
| | 72930 | PondJet Eco [GB] | | | |
| 31 | 57704 | PondJet Eco [INT] | 3579 | O-Ring NBR 76 x 4 SH70 | 1 |
| | 72930 | PondJet Eco [GB] | | | |
| 32 | 57704 | PondJet Eco [INT] | 19280 | Reducing nipple 2" NPT left - G 1 1/4 | 1 |
| | 72930 | PondJet Eco [GB] | | | |
| 33 | 57704 | PondJet Eco [INT] | 10035 | Water stabilizer Komet 10 - 12 T / 14 | 1 |
| | 72930 | PondJet Eco [GB] | | | |
| 34 | 57704 | PondJet Eco [INT] | 34619 | Nozzle assembly Pond Jet | 1 |
| | 72930 | PondJet Eco [GB] | | | |

| Item no. | Product |
|----------|------------------------|
| 50365 | MIDI II 1.1 kW / 230 V |
| 50371 | MAXI II 4.0 kW / 400 V |



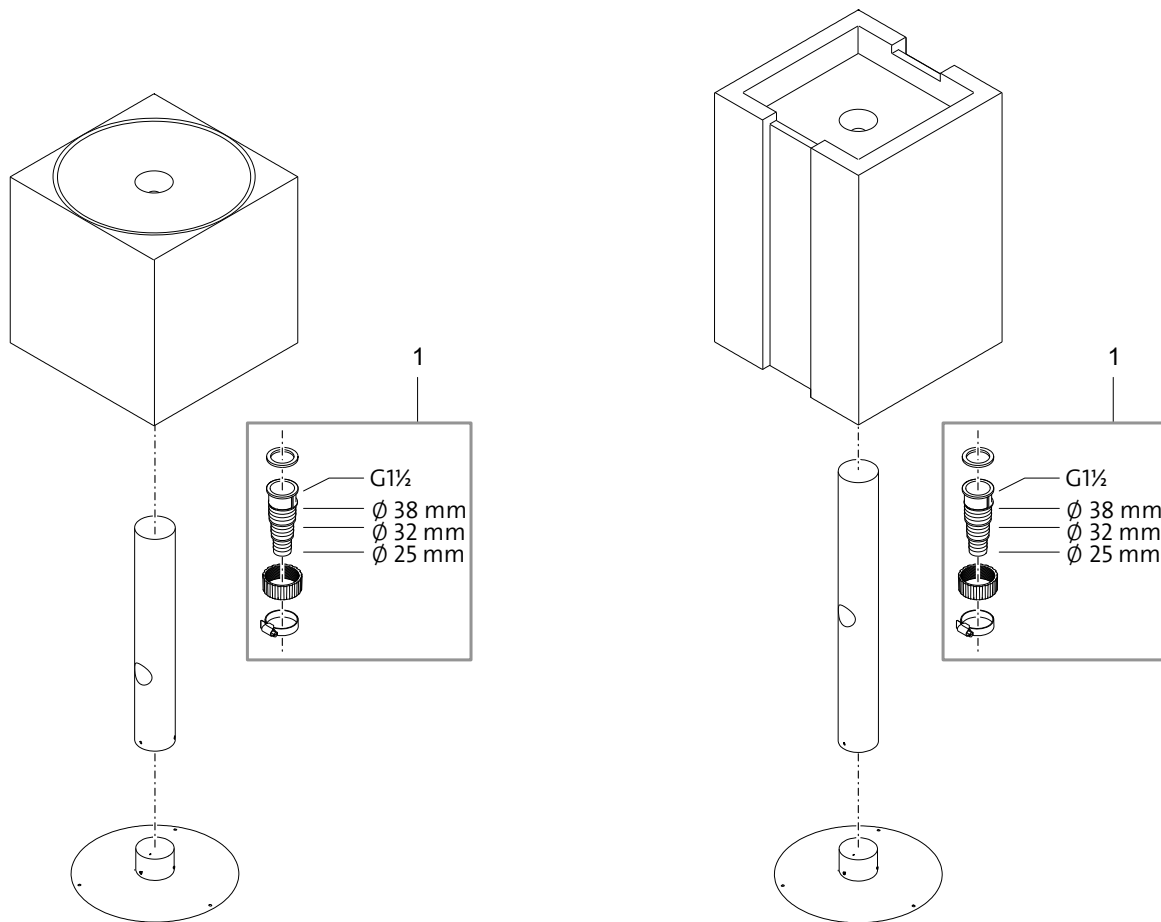
| Pos. | Item no. Product | Product | Item no. Spare part | Spare part | Number |
|------|---------------------|------------------------------|------------------------|--|--------|
| 1 | 50365 | MIDI II 1.1 kW / 230 V [INT] | 10862 | Float 90 I | 1 |
| | 50371 | MAXI II 4.0 kW / 400 V [INT] | 10579 | Float 135 I | 1 |
| 2 | 50365 | MIDI II 1.1 kW / 230 V [INT] | 13542 | ASM motor section MIDI 1.1kW/ 50Hz/ 230V | 1 |
| | 50371 | MAXI II 4.0 kW / 400 V [INT] | 13543 | ASM motor section MAXI 4kW/ 50Hz/ 400V | 1 |
| 3 | 50365 | MIDI II 1.1 kW / 230 V [INT] | 12904 | Reduction piece 3" - 2 1/2" MIDI | 1 |
| 4 | 50365 | MIDI II 1.1 kW / 230 V [INT] | 11414 | Additional pack small parts LM 3P | 1 |
| | 50371 | MAXI II 4.0 kW / 400 V [INT] | | | |
| 5 | 50365 | MIDI II 1.1 kW / 230 V [INT] | 30128 | Fastener 450 | 1 |
| | 50371 | MAXI II 4.0 kW / 400 V [INT] | | | |
| 6 | 50365 | MIDI II 1.1 kW / 230 V [INT] | 11203 | Wire rope stainless steel 3 mm x 30 m | 1 |
| | 50371 | MAXI II 4.0 kW / 400 V [INT] | | | |
| 7 | 50365 | MIDI II 1.1 kW / 230 V [INT] | 42137 | Spare part starter box 1.1 kW / 230 V | 1 |
| | 50371 | MAXI II 4.0 kW / 400 V [INT] | 42139 | Spare part Motor overl.switch 10-16A CEE | 1 |

| Item no. | Product |
|----------|---------|
| 57075 | PondJet |



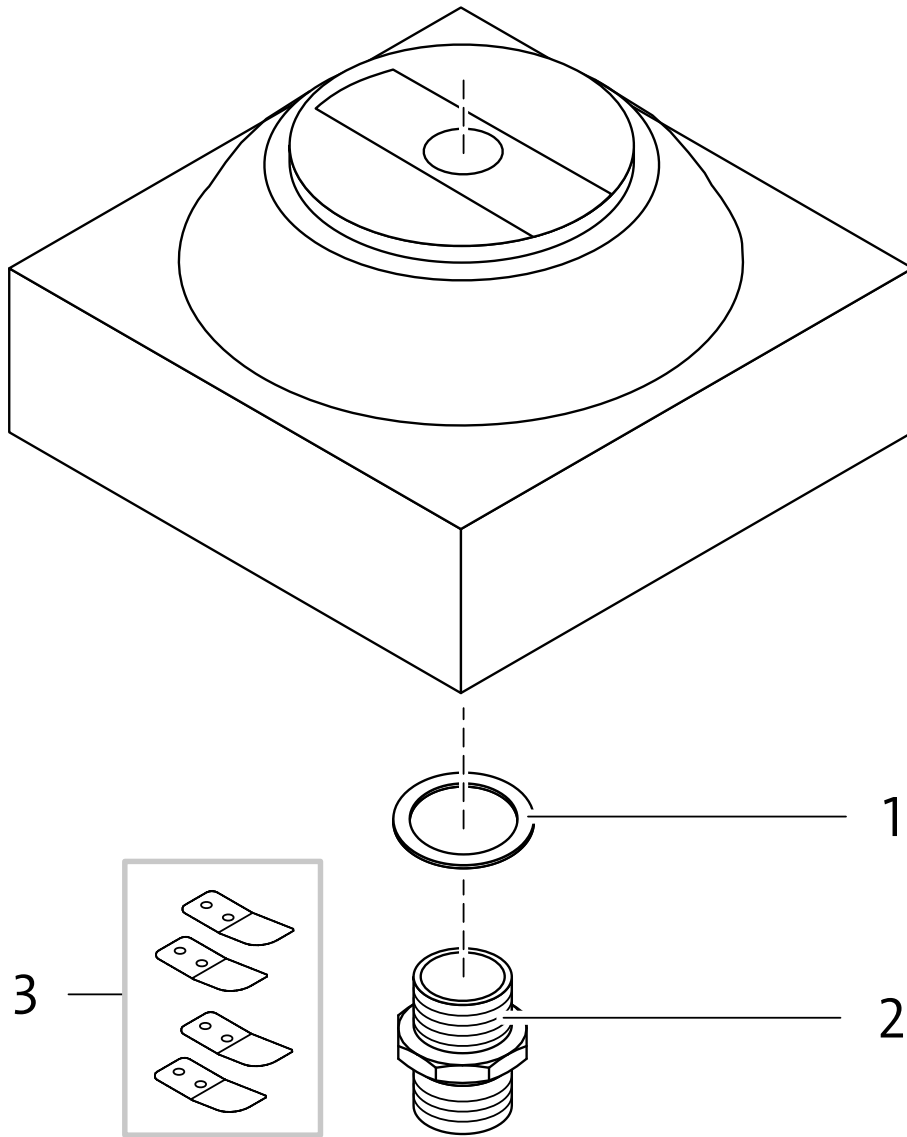
| Pos. | Item no. Product | Product | Item no. Spare part | Spare part | Number |
|------|---------------------|---------------|------------------------|---------------------------------------|--------|
| 1 | 57075 | PondJet [INT] | 19279 | Fountain nozzle unit PondJet | 1 |
| 2 | 57075 | PondJet [INT] | 9848 | Washer V2A DIN 9021 10.5 | 6 |
| 3 | 57075 | PondJet [INT] | 19288 | Hexagon bolt V2A DIN 931 M8 x 130 | 3 |
| 4 | 57075 | PondJet [INT] | 3579 | O-Ring NBR 76 x 4 SH70 | 1 |
| 5 | 57075 | PondJet [INT] | 6017 | Oval head screw V2A DIN 963 5 x 12 | 1 |
| 6 | 57075 | PondJet [INT] | 19545 | Washer PondJet | 1 |
| 7 | 57075 | PondJet [INT] | 19544 | Plug G1 PondJet | 1 |
| 8 | 57075 | PondJet [INT] | 13290 | O-Ring NBR 33 x 3 SH70 black | 1 |
| 9 | 57075 | PondJet [INT] | 3578 | O-Ring NBR 72 x 4 SH75 | 1 |
| 10 | 57075 | PondJet [INT] | 19282 | Nozzle insert Vulcan 12 PondJet | 1 |
| 11 | 57075 | PondJet [INT] | 10035 | Water stabilizer Komet 10 - 12 T / 14 | 1 |
| 12 | 57075 | PondJet [INT] | 19280 | Reducing nipple 2" NPT left - G 1 1/4 | 1 |
| 13 | 57075 | PondJet [INT] | 17939 | Float Mini without foam | 1 |
| 14 | 57075 | PondJet [INT] | 6129 | Lock nut V2A DIN 985 M8 | 1 |
| 15 | 57075 | PondJet [INT] | 42088 | Service pack PondJet Eco | 1 |
| 16 | 57075 | PondJet [INT] | 10330 | Retaining bracket PondJet | 1 |

| Item no. | Product |
|----------|------------|
| 88426 | Cube 60 CS |
| 88427 | Cube 90 CS |



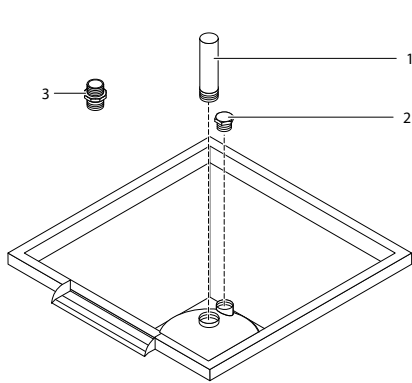
| Pos. | Item no. Product | Product | Item no. Spare part | Spare part | Number |
|------|---------------------|------------------|------------------------|----------------|--------|
| 1 | 88426 | Cube 60 CS [INT] | 88874 | Add. pack Cube | 1 |
| | 88427 | Cube 90 CS [INT] | | | |

| Item no. | Product |
|----------|----------------------------------|
| 84164 | Copper pedestal for copper bowls |

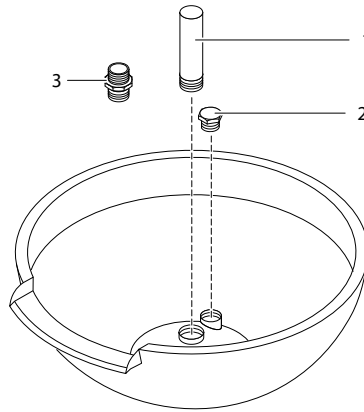


| Pos. | Item no. Product | Product | Item no. Spare part | Spare part | Number |
|------|------------------|--|---------------------|-------------------------------------|--------|
| 1 | 84164 | Copper pedestal for copper bowls [INT] | 86709 | Lock washer 50 x 70 | 1 |
| 2 | 84164 | Copper pedestal for copper bowls [INT] | 85874 | Adapter NPT 1 1/2" - G1 1 1/2" | 1 |
| 3 | 84164 | Copper pedestal for copper bowls [INT] | 86552 | Fastening clips for copper pedestal | 1 |

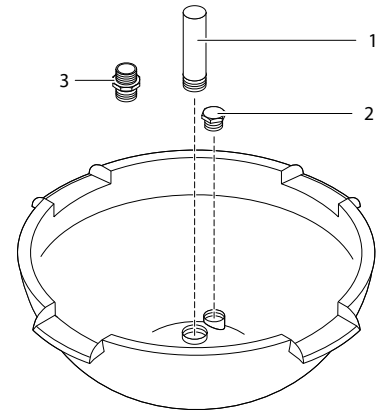
| Item no. | Product |
|----------|-----------------------|
| 84165 | Copper Bowl Square 50 |
| 84166 | Copper Bowl Round 50 |
| 84167 | Copper Bowl Round 60 |
| 84168 | Copper Bowl Round 75 |
| 84169 | Copper Bowl Round 90 |



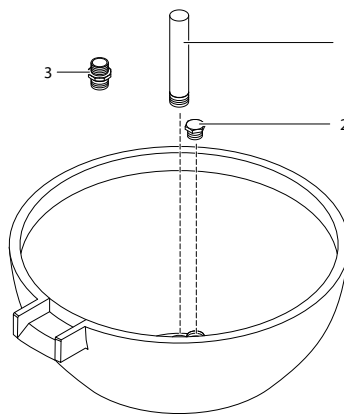
84165 Copper Bowl Square 50



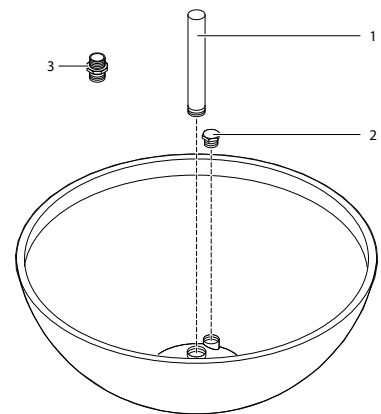
84166 Copper Bowl Round 50



84167 Copper Bowl Round 60



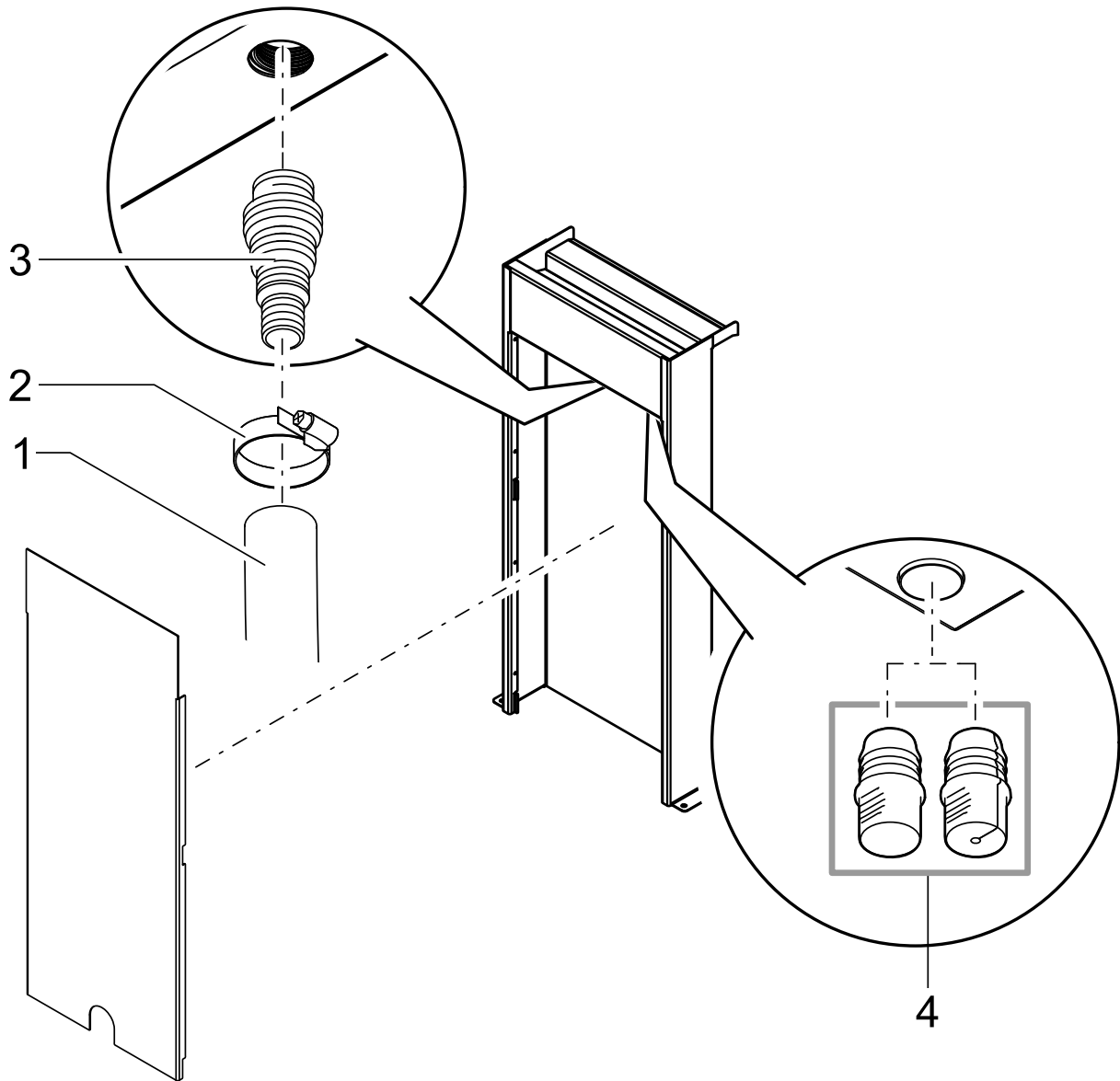
84168 Copper Bowl Round 75

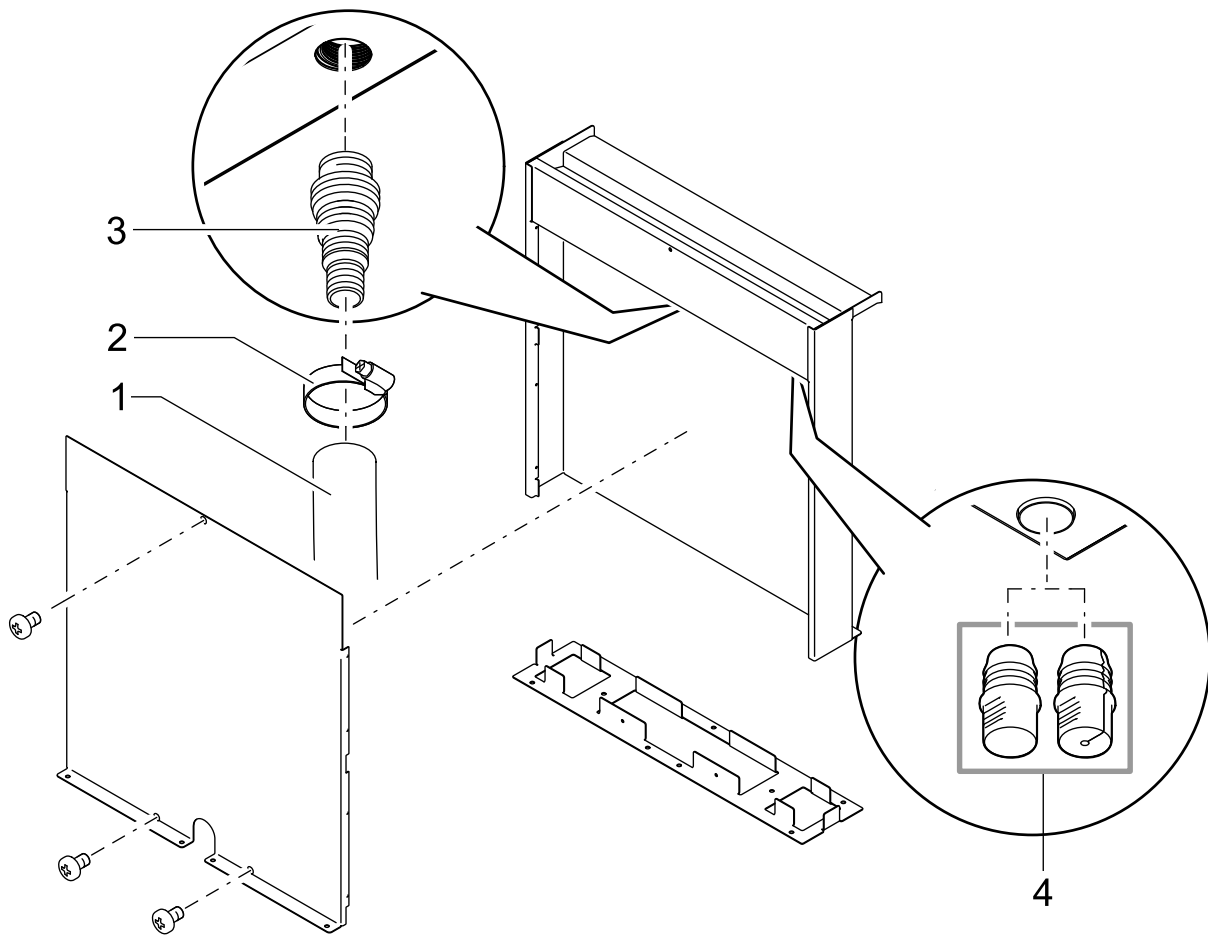


84169 Copper Bowl Round 90

| Pos. | Item no. Product | Product | Item no. Spare part | Spare part | Number |
|------|---------------------|-----------------------------|------------------------|---------------------------------|--------|
| 1 | 84165 | Copper Bowl Square 50 [INT] | | | |
| | 84166 | Copper Bowl Round 50 [INT] | 86536 | Stand pipe CU 1 1/2" 162 mm | 1 |
| | 84167 | Copper Bowl Round 60 [INT] | | | |
| | 84168 | Copper Bowl Round 75 [INT] | 86540 | Stand pipe CU 1 1/2" 250 mm | 1 |
| | 84169 | Copper Bowl Round 90 [INT] | 86541 | Stand pipe CU 1 1/2" 295 mm | 1 |
| 2 | 84165 | Copper Bowl Square 50 [INT] | | | |
| | 84166 | Copper Bowl Round 50 [INT] | | | |
| | 84167 | Copper Bowl Round 60 [INT] | 86696 | Sealing plug 1 1/2" Copper Bowl | 1 |
| | 84168 | Copper Bowl Round 75 [INT] | | | |
| | 84169 | Copper Bowl Round 90 [INT] | | | |
| 3 | 84165 | Copper Bowl Square 50 [INT] | | | |
| | 84166 | Copper Bowl Round 50 [INT] | | | |
| | 84167 | Copper Bowl Round 60 [INT] | 85874 | Adapter NPT 1 1/2" - G1 1/2" | 1 |
| | 84168 | Copper Bowl Round 75 [INT] | | | |
| | 84169 | Copper Bowl Round 90 [INT] | | | |

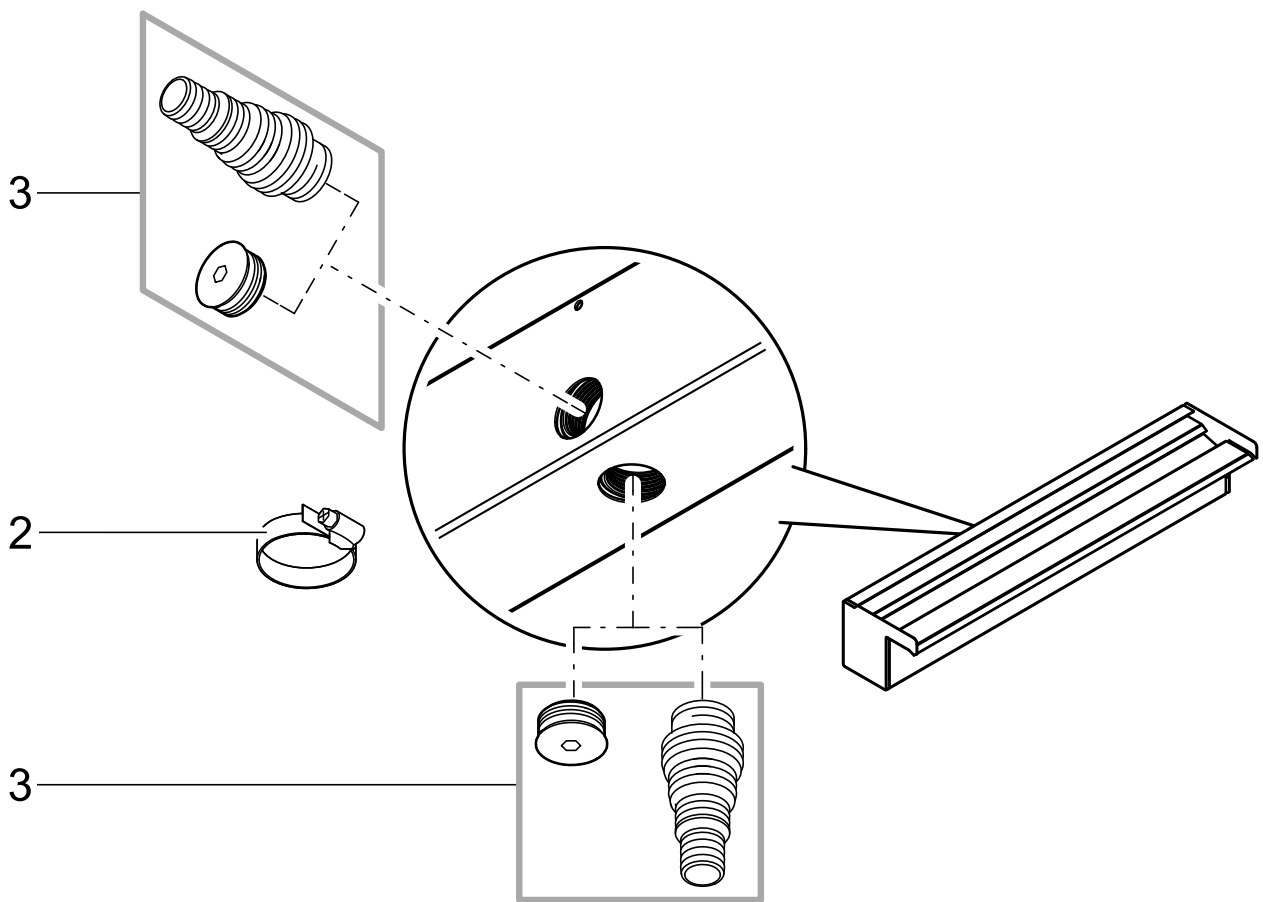
| Item no. | Product |
|----------|------------------|
| 70774 | Waterfall Kit 30 |
| 70775 | Waterfall Kit 60 |

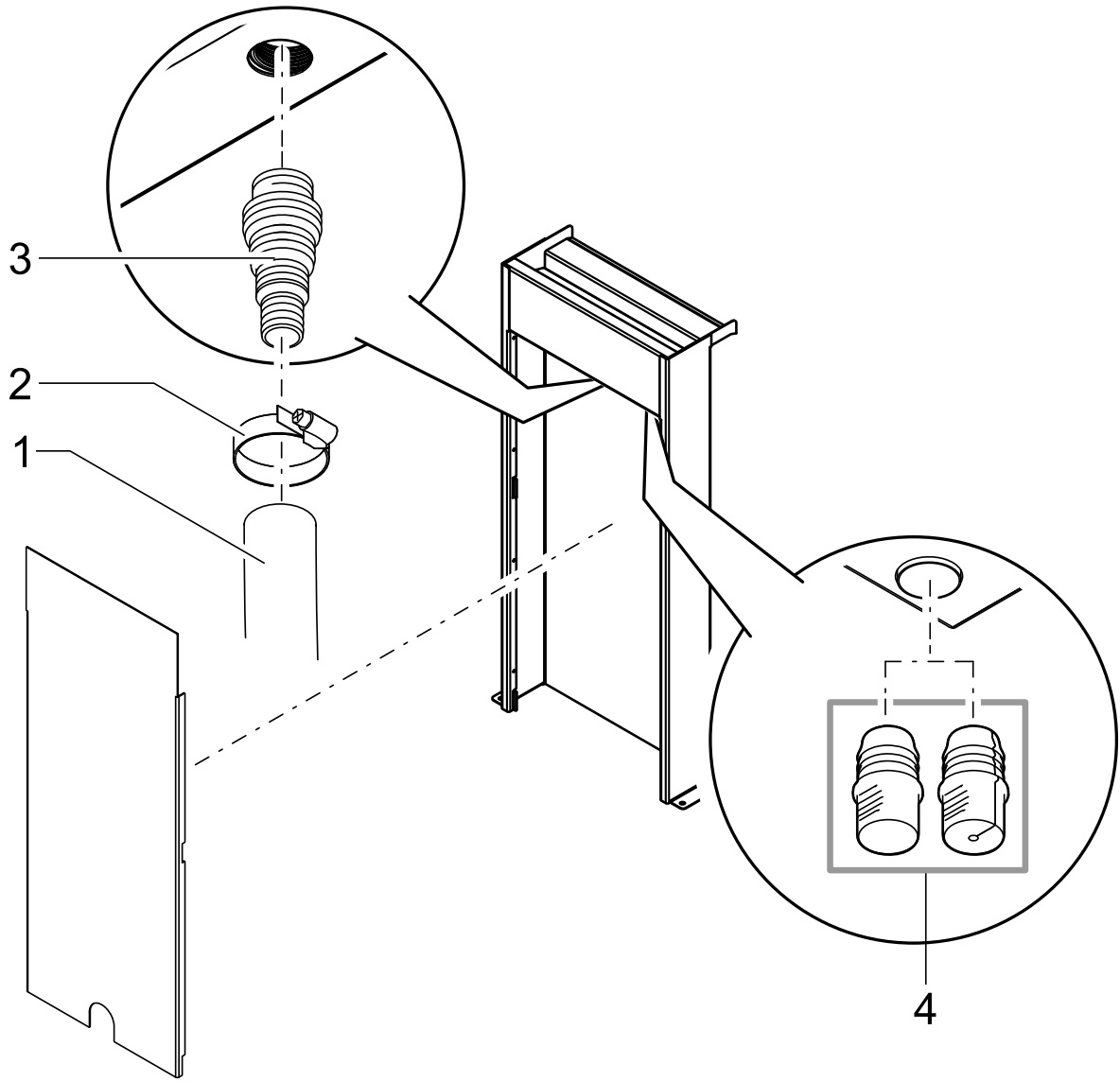


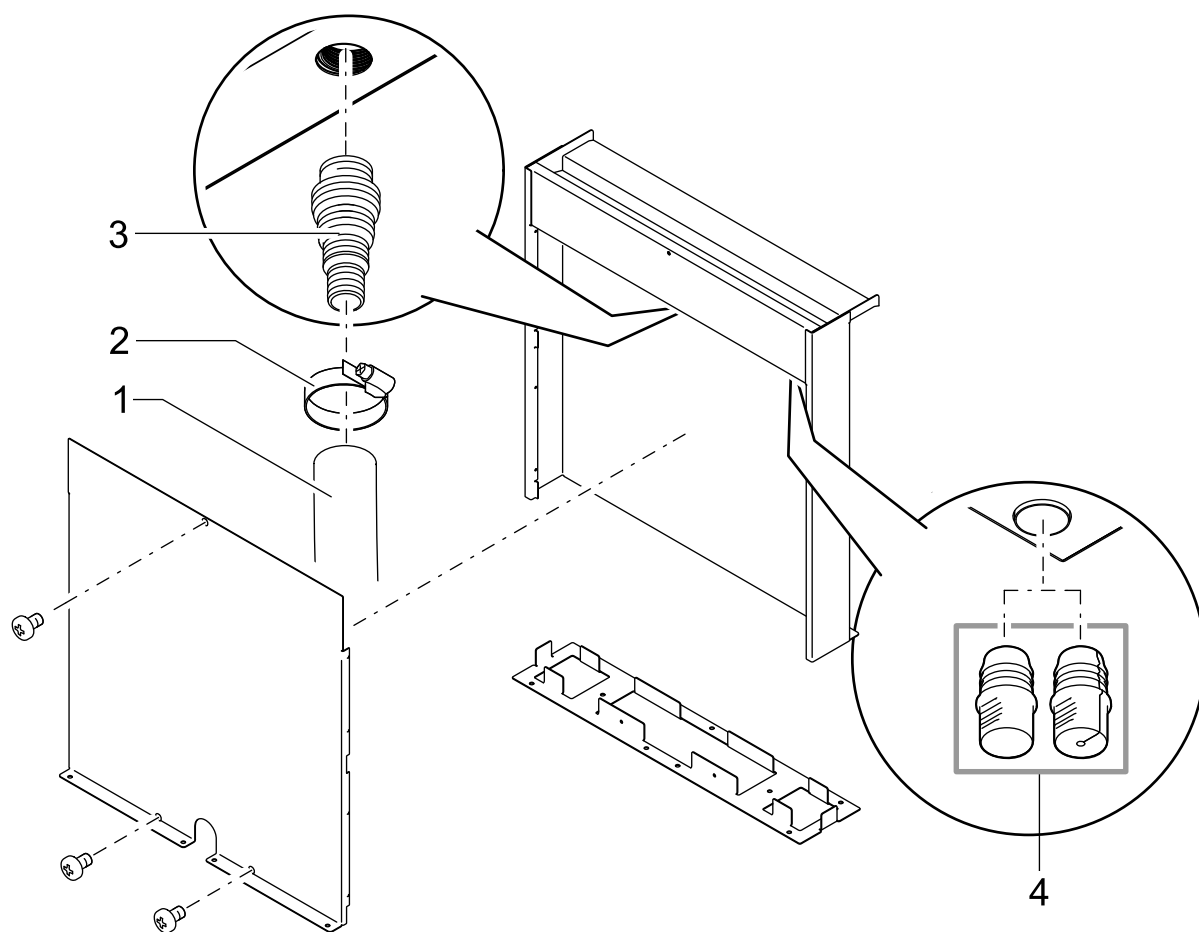


| Pos. | Item no. Product | Product | Item no. Spare part | Spare part | Number |
|------|------------------|------------------------|---------------------|---------------------------------------|--------|
| 1 | 70774 | Waterfall Kit 30 [INT] | 10719 | Hose cut 1" x 5m | 1 |
| | 70775 | Waterfall Kit 60 [INT] | | | |
| 2 | 70774 | Waterfall Kit 30 [INT] | 11818 | Hose clamp 20 - 32 mm | 1 |
| | 70775 | Waterfall Kit 60 [INT] | | | |
| 3 | 70774 | Waterfall Kit 30 [INT] | 15737 | Spare part set Waterfall | 1 |
| | 70775 | Waterfall Kit 60 [INT] | | | |
| 4 | 70774 | Waterfall Kit 30 [INT] | 73038 | Sealing plug Waterf. Kit compl. spare | 1 |
| | 70775 | Waterfall Kit 60 [INT] | | | |

| Item no. | Product |
|----------|------------------|
| 50584 | Waterfall Set 30 |
| 50585 | Waterfall 60 |
| 50704 | Waterfall 30 |
| 50706 | Waterfall 90 |

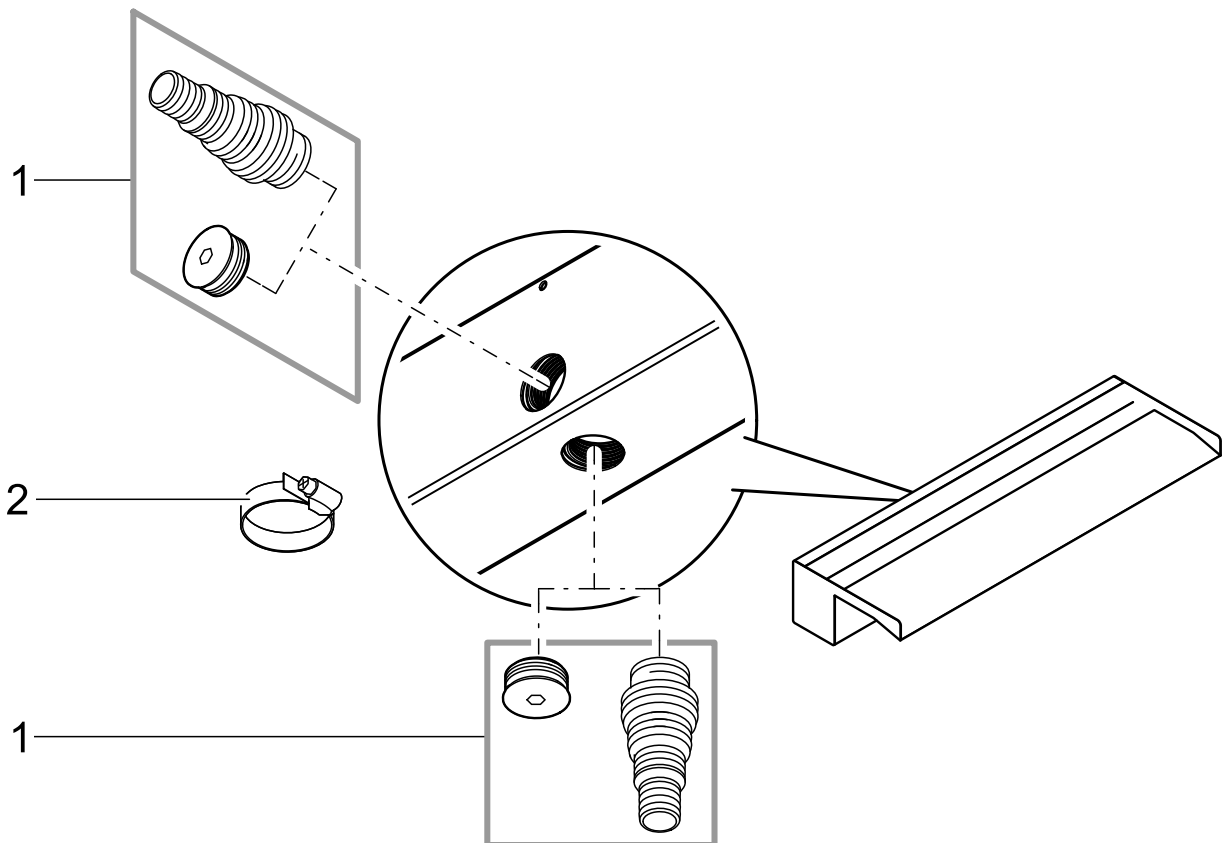






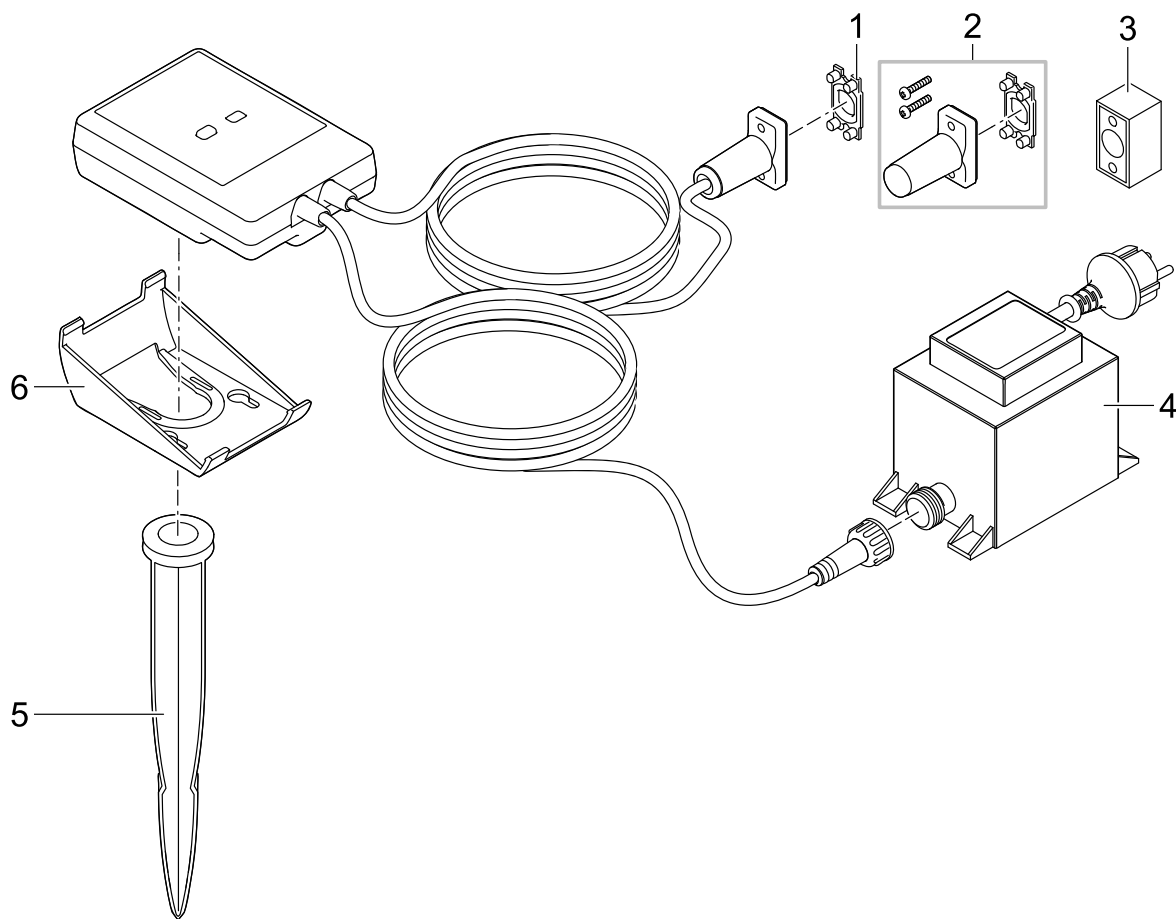
| Pos. | Item no. Product | Product | Item no. Spare part | Spare part | Number |
|------|------------------|------------------------|---------------------|---------------------------------------|--------|
| 1 | 50584 | Waterfall Set 30 [INT] | 10714 | Outlet hose cut 3/4" x 3 m | 1 |
| | 50584 | Waterfall Set 30 [INT] | | | |
| 2 | 50585 | Waterfall 60 [INT] | 11818 | Hose clamp 20 - 32 mm | 1 |
| | 50704 | Waterfall 30 [INT] | | | |
| | 50706 | Waterfall 90 [INT] | | | |
| 3 | 50584 | Waterfall Set 30 [INT] | 15737 | Spare part set Waterfall | 1 |
| | 50585 | Waterfall 60 [INT] | | | |
| | 50704 | Waterfall 30 [INT] | | | |
| 4 | 50706 | Waterfall 90 [INT] | 16757 | Spare part set Waterfall 90 | 1 |
| | 50584 | Waterfall Set 30 [INT] | 73038 | Sealing plug Waterf. Kit compl. spare | 1 |

| Item no. | Product |
|----------|-----------------|
| 70771 | Waterfall XL 30 |
| 70772 | Waterfall XL 60 |
| 70773 | Waterfall XL 90 |



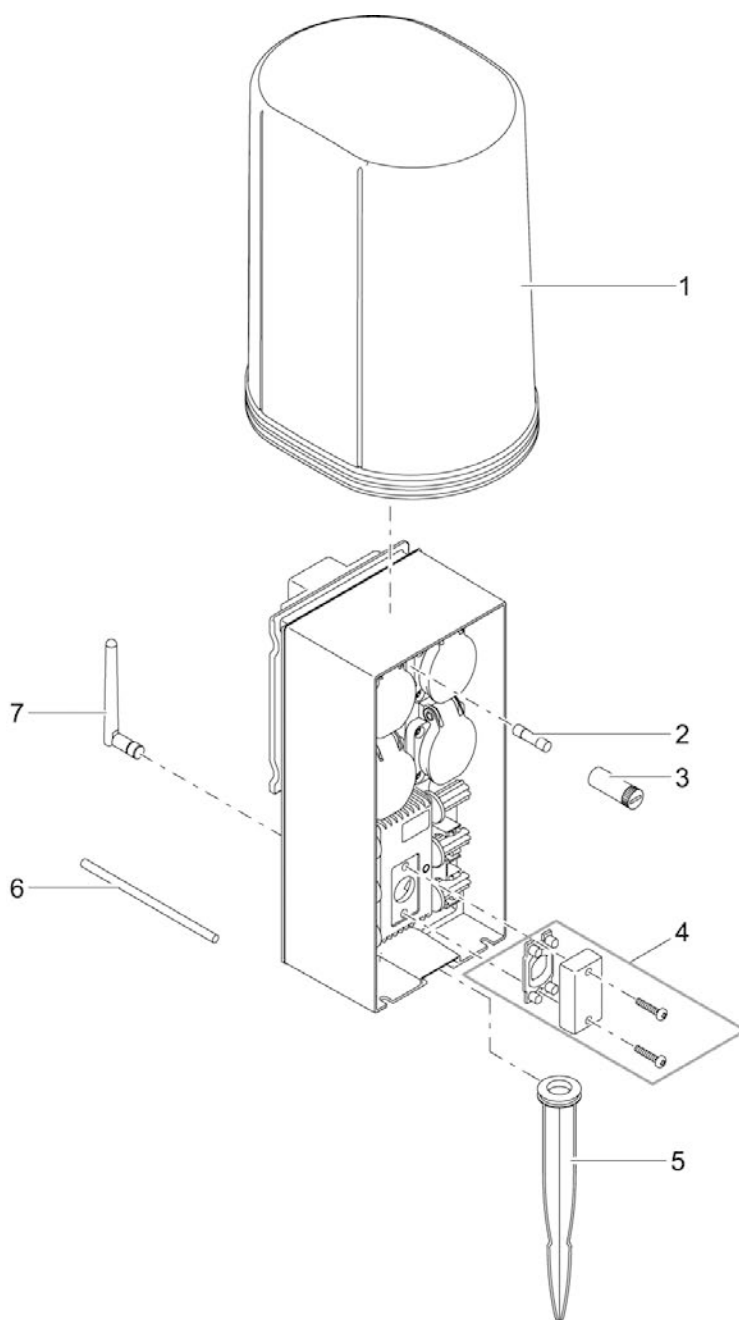
| Pos. | Item no. Product | Product | Item no. Spare part | Spare part | Number |
|------|---------------------|-----------------------|------------------------|--------------------------|--------|
| 1 | 70771 | Waterfall XL 30 [INT] | 15737 | Spare part set Waterfall | 1 |
| | 70772 | Waterfall XL 60 [INT] | | | |
| | 70773 | Waterfall XL 90 [INT] | | | |
| 2 | 70771 | Waterfall XL 30 [INT] | 11818 | Hose clamp 20 - 32 mm | 1 |
| | 70772 | Waterfall XL 60 [INT] | | | |
| | 70773 | Waterfall XL 90 [INT] | | | |

| Item no. | Product |
|----------|-------------------------|
| 55316 | Garden Controller Home |
| 55317 | Garden Controller Cloud |



| Pos. | Item no. Product | Product | Item no. Spare part | Spare part | Number |
|------|---------------------|-------------------------------|------------------------|--|--------|
| 1 | 55316 | Garden Controller Home [INT] | 47019 | Gasket OC blue | 1 |
| | 55317 | Garden Controller Cloud [INT] | | | |
| 2 | 55316 | Garden Controller Home [INT] | 49084 | ASM end resistant OC with screws | 1 |
| | 55317 | Garden Controller Cloud [INT] | | | |
| 3 | 55316 | Garden Controller Home [INT] | 21768 | ASM distance piece cable connection 2013 | 1 |
| | 55317 | Garden Controller Cloud [INT] | | | |
| 4 | 55316 | Garden Controller Home [INT] | 15118 | Transformer 6 VA 2m H05RN-F 2 x 0.75 mm ² | 1 |
| | 55317 | Garden Controller Cloud [INT] | | | |
| 5 | 55316 | Garden Controller Home [INT] | 20284 | Spike | 1 |
| | 55317 | Garden Controller Cloud [INT] | | | |
| 6 | 55316 | Garden Controller Home [INT] | 40465 | Holding frame AquaMax Eco Control | 1 |
| | 55317 | Garden Controller Cloud [INT] | | | |

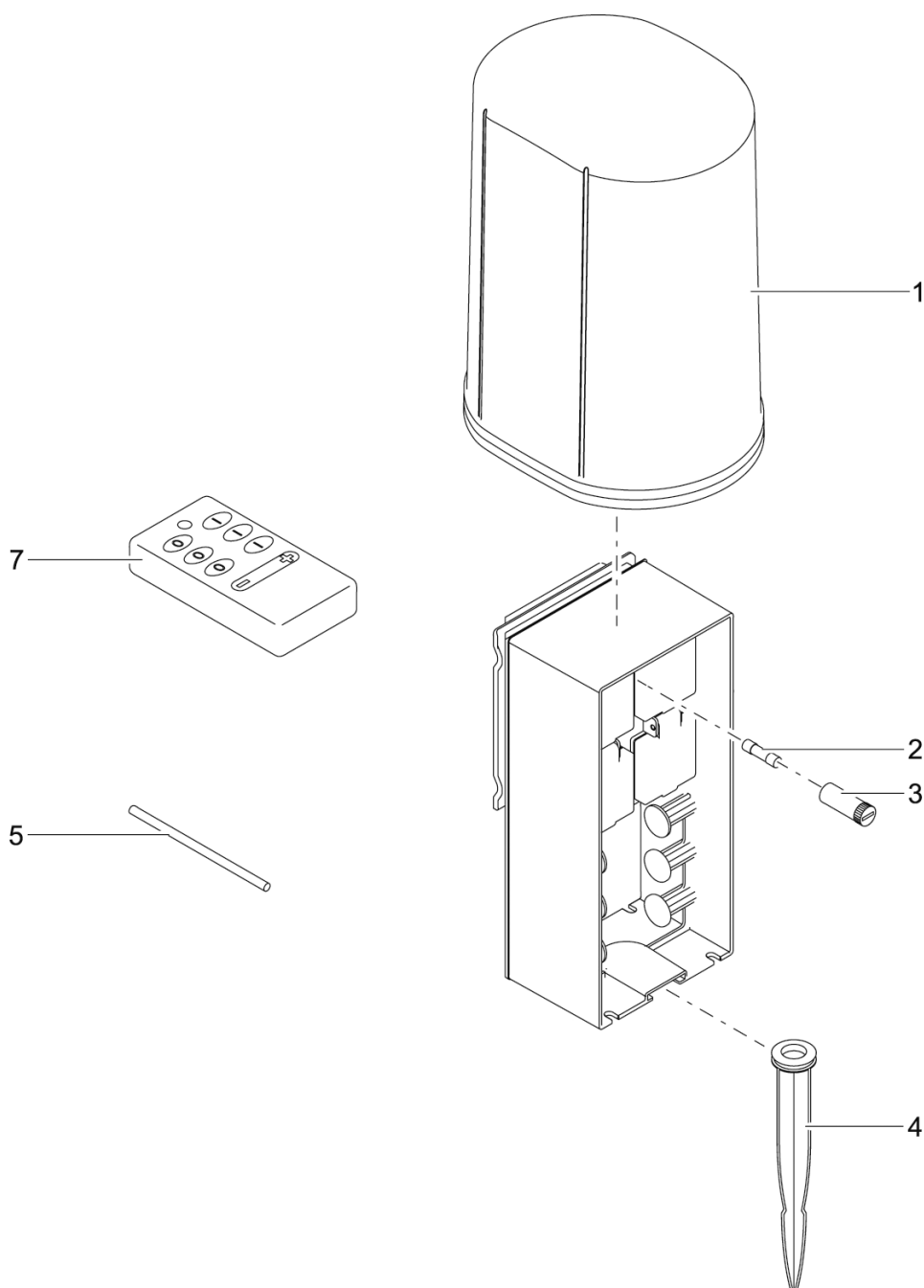
| Item no. | | Product |
|----------|----|-----------------------------|
| 40243 | | InScenio FM-Master WLAN |
| 47035 | | InScenio FM-Master WLAN EGC |
| 70785 | | InScenio FM-Master Home |
| 70788 | | InScenio FM-Master Cloud |
| 40245 | FR | InScenio FM-Master WLAN |
| 47037 | FR | InScenio FM-Master WLAN EGC |
| 70787 | FR | InScenio FM-Master Home |
| 70790 | FR | InScenio FM-Master Cloud |
| 40244 | GB | InScenio FM-Master WLAN |
| 47036 | GB | InScenio FM-Master WLAN EGC |
| 70786 | GB | InScenio FM-Master Home |
| 70789 | GB | InScenio FM-Master Cloud |



| Pos. | Item no. Product | Product | Item no. Spare part | Spare part | Number | | | |
|-------|-------------------------------|-----------------------------------|------------------------|--|--------|-------|----------------------------------|---|
| 1 | 40243 | InScenio FM-Master WLAN [INT] | 33371 | Cover FM-Master | 1 | | | |
| | 40244 | InScenio FM-Master WLAN [GB] | | | | | | |
| | 40245 | InScenio FM-Master WLAN [FR] | | | | | | |
| | 47035 | InScenio FM-Master WLAN EGC [INT] | | | | | | |
| | 47036 | InScenio FM-Master WLAN EGC [GB] | | | | | | |
| | 47037 | InScenio FM-Master WLAN EGC [FR] | | | | | | |
| | 70785 | InScenio FM-Master Home [INT] | | | | | | |
| | 70786 | InScenio FM-Master Home [GB] | | | | | | |
| | 70787 | InScenio FM-Master Home [FR] | | | | | | |
| | 70788 | InScenio FM-Master Cloud [INT] | | | | | | |
| 2 | 40243 | InScenio FM-Master WLAN [INT] | 42292 | Fuse delay with extinguishing agent 1.6A | 1 | | | |
| | 40244 | InScenio FM-Master WLAN [GB] | | | | | | |
| | 40245 | InScenio FM-Master WLAN [FR] | | | | | | |
| | 47035 | InScenio FM-Master WLAN EGC [INT] | | | | | | |
| | 47036 | InScenio FM-Master WLAN EGC [GB] | | | | | | |
| | 47037 | InScenio FM-Master WLAN EGC [FR] | | | | | | |
| | 70785 | InScenio FM-Master Home [INT] | | | | | | |
| | 70786 | InScenio FM-Master Home [GB] | | | | | | |
| | 70787 | InScenio FM-Master Home [FR] | | | | | | |
| | 70788 | InScenio FM-Master Cloud [INT] | | | | | | |
| 3 | 40243 | InScenio FM-Master WLAN [INT] | 27645 | Spare fuse holder FM-Master 3 | 1 | | | |
| | 40244 | InScenio FM-Master WLAN [GB] | | | | | | |
| | 40245 | InScenio FM-Master WLAN [FR] | | | | | | |
| | 47035 | InScenio FM-Master WLAN EGC [INT] | | | | | | |
| | 47036 | InScenio FM-Master WLAN EGC [GB] | | | | | | |
| | 47037 | InScenio FM-Master WLAN EGC [FR] | | | | | | |
| | 70785 | InScenio FM-Master Home [INT] | | | | | | |
| | 70786 | InScenio FM-Master Home [GB] | | | | | | |
| | 70787 | InScenio FM-Master Home [FR] | | | | | | |
| | 70788 | InScenio FM-Master Cloud [INT] | | | | | | |
| 4 | 40243 | InScenio FM-Master WLAN [INT] | 40509 | ASM gland seal with gasket set | 1 | | | |
| | 40244 | InScenio FM-Master WLAN [GB] | | | | | | |
| | 40245 | InScenio FM-Master WLAN [FR] | | | | | | |
| | 47035 | InScenio FM-Master WLAN EGC [INT] | | | | | | |
| | 47036 | InScenio FM-Master WLAN EGC [GB] | | | | | | |
| | 47037 | InScenio FM-Master WLAN EGC [FR] | | | | | | |
| | 70785 | InScenio FM-Master Home [INT] | | | | 49084 | ASM end resistant OC with screws | 1 |
| | 70786 | InScenio FM-Master Home [GB] | | | | | | |
| | 70787 | InScenio FM-Master Home [FR] | | | | | | |
| | 70788 | InScenio FM-Master Cloud [INT] | | | | | | |
| 70789 | InScenio FM-Master Cloud [GB] | | | | | | | |
| 70790 | InScenio FM-Master Cloud [FR] | | | | | | | |

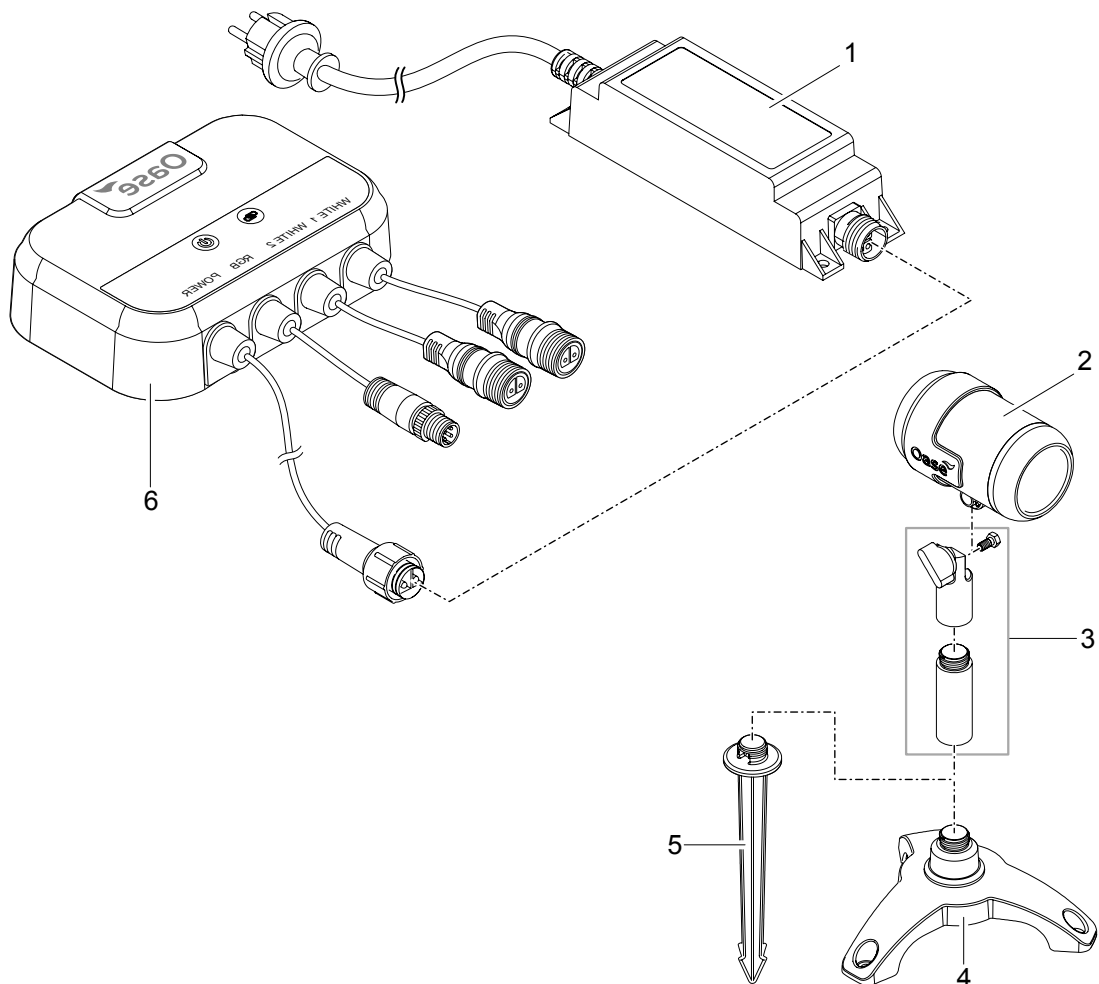
| Pos. | Item no. Product | Product | Item no. Spare part | Spare part | Number |
|-------|-------------------------------|-----------------------------------|------------------------|------------------------|--------|
| 5 | 40243 | InScenio FM-Master WLAN [INT] | 20284 | Spike | 1 |
| | 40244 | InScenio FM-Master WLAN [GB] | | | |
| | 40245 | InScenio FM-Master WLAN [FR] | | | |
| | 47035 | InScenio FM-Master WLAN EGC [INT] | | | |
| | 47036 | InScenio FM-Master WLAN EGC [GB] | | | |
| | 47037 | InScenio FM-Master WLAN EGC [FR] | | | |
| | 70785 | InScenio FM-Master Home [INT] | | | |
| | 70786 | InScenio FM-Master Home [GB] | | | |
| | 70787 | InScenio FM-Master Home [FR] | | | |
| | 70788 | InScenio FM-Master Cloud [INT] | | | |
| 6 | 40243 | InScenio FM-Master WLAN [INT] | 14496 | Teach-in pin FM-Master | 1 |
| | 40244 | InScenio FM-Master WLAN [GB] | | | |
| | 40245 | InScenio FM-Master WLAN [FR] | | | |
| | 47035 | InScenio FM-Master WLAN EGC [INT] | | | |
| | 47036 | InScenio FM-Master WLAN EGC [GB] | | | |
| | 47037 | InScenio FM-Master WLAN EGC [FR] | | | |
| | 70785 | InScenio FM-Master Home [INT] | | | |
| | 70786 | InScenio FM-Master Home [GB] | | | |
| | 70787 | InScenio FM-Master Home [FR] | | | |
| | 70788 | InScenio FM-Master Cloud [INT] | | | |
| 7 | 40243 | InScenio FM-Master WLAN [INT] | 40284 | WLAN-antenna FM-Master | 1 |
| | 40244 | InScenio FM-Master WLAN [GB] | | | |
| | 40245 | InScenio FM-Master WLAN [FR] | | | |
| | 47035 | InScenio FM-Master WLAN EGC [INT] | | | |
| | 47036 | InScenio FM-Master WLAN EGC [GB] | | | |
| | 47037 | InScenio FM-Master WLAN EGC [FR] | | | |
| | 70785 | InScenio FM-Master Home [INT] | | | |
| | 70786 | InScenio FM-Master Home [GB] | | | |
| | 70787 | InScenio FM-Master Home [FR] | | | |
| | 70788 | InScenio FM-Master Cloud [INT] | | | |
| 70789 | InScenio FM-Master Cloud [GB] | | | | |
| 70790 | InScenio FM-Master Cloud [FR] | | | | |

| Item no. | | Product |
|----------|----|-------------------------|
| 36310 | | InScenio FM-Master 2 |
| 36311 | | InScenio FM-Master 3 |
| 54978 | | InScenio FM-Master 1 |
| 55433 | | InScenio 230 |
| 56886 | | InScenio FM-Profimaster |
| 55856 | FR | InScenio FM-Master 1 |
| 55858 | FR | InScenio FM-Master 2 |
| 55859 | FR | InScenio FM-Master 3 |
| 55860 | FR | InScenio 230 |
| 56473 | GB | InScenio FM-Master 3 |



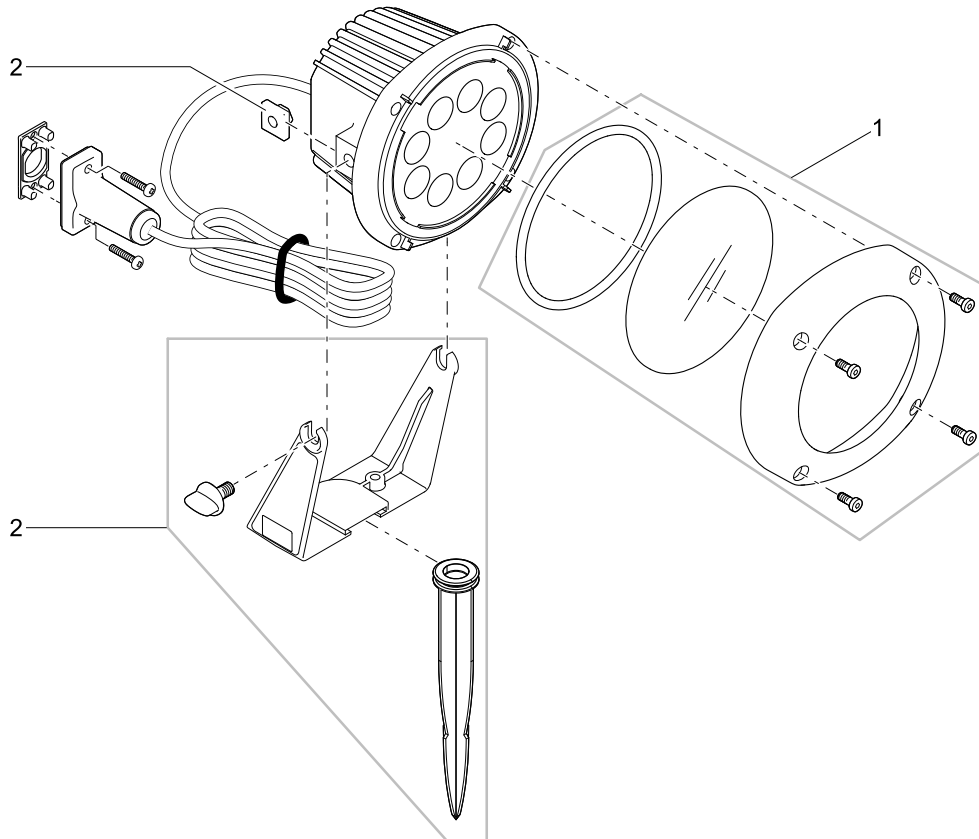
| Pos. | Item no. Product | Product | Item no. Spare part | Spare part | Number |
|-------|-------------------------------|-------------------------------|------------------------|-------------------------------|--------|
| 1 | 36310 | InScenio FM-Master 2 [INT] | 33371 | Cover FM-Master | 1 |
| | 36311 | InScenio FM-Master 3 [INT] | | | |
| | 54978 | InScenio FM-Master 1 [INT] | | | |
| | 55433 | InScenio 230 [INT] | | | |
| | 55856 | InScenio FM-Master 1 [FR] | | | |
| | 55858 | InScenio FM-Master 2 [FR] | | | |
| | 55859 | InScenio FM-Master 3 [FR] | | | |
| | 55860 | InScenio 230 [FR] | | | |
| | 56473 | InScenio FM-Master 3 [GB] | | | |
| | 56886 | InScenio FM-Profimaster [INT] | | | |
| 2 | 36311 | InScenio FM-Master 3 [INT] | 14368 | Fuse T 2.0 A | 1 |
| | 55859 | InScenio FM-Master 3 [FR] | | | |
| | 56473 | InScenio FM-Master 3 [GB] | | | |
| | 56886 | InScenio FM-Profimaster [INT] | | | |
| 3 | 36311 | InScenio FM-Master 3 [INT] | 27645 | Spare fuse holder FM-Master 3 | 1 |
| | 55859 | InScenio FM-Master 3 [FR] | | | |
| | 56473 | InScenio FM-Master 3 [GB] | | | |
| | 56886 | InScenio FM-Profimaster [INT] | | | |
| 4 | 36310 | InScenio FM-Master 2 [INT] | 20284 | Spike | 1 |
| | 36311 | InScenio FM-Master 3 [INT] | | | |
| | 54978 | InScenio FM-Master 1 [INT] | | | |
| | 55433 | InScenio 230 [INT] | | | |
| | 55856 | InScenio FM-Master 1 [FR] | | | |
| | 55858 | InScenio FM-Master 2 [FR] | | | |
| | 55859 | InScenio FM-Master 3 [FR] | | | |
| | 55860 | InScenio 230 [FR] | | | |
| 56473 | InScenio FM-Master 3 [GB] | | | | |
| 5 | 36310 | InScenio FM-Master 2 [INT] | 14496 | Teach-in pin FM-Master | 1 |
| | 36311 | InScenio FM-Master 3 [INT] | | | |
| | 54978 | InScenio FM-Master 1 [INT] | | | |
| | 55856 | InScenio FM-Master 1 [FR] | | | |
| | 55858 | InScenio FM-Master 2 [FR] | | | |
| | 55859 | InScenio FM-Master 3 [FR] | | | |
| | 56473 | InScenio FM-Master 3 [GB] | | | |
| 56886 | InScenio FM-Profimaster [INT] | | | | |
| 7 | 36310 | InScenio FM-Master 2 [INT] | 22653 | Remote control FM-Master | 1 |
| | 36311 | InScenio FM-Master 3 [INT] | | | |
| | 54978 | InScenio FM-Master 1 [INT] | | | |
| | 55856 | InScenio FM-Master 1 [FR] | | | |
| | 55858 | InScenio FM-Master 2 [FR] | | | |
| | 55859 | InScenio FM-Master 3 [FR] | | | |
| 56473 | InScenio FM-Master 3 [GB] | | | | |
| | 56886 | InScenio FM-Profimaster [INT] | | | |

| Item no. | Product |
|----------|--|
| 74336 | LunAqua Connect M Solo RGB |
| 74350 | LunAqua Connect Starter Set Controllable |
| 87019 | LunAqua Connect M Solo white |
| 87020 | LunAqua Connect S Solo white |
| 87022 | LunAqua Connect L Solo white |
| 87501 | LunAqua Connect M Set 3 |
| 87506 | LunAqua Connect S Set 3 |
| 96551 | LunAqua Connect M Solo White Cable 10 m |



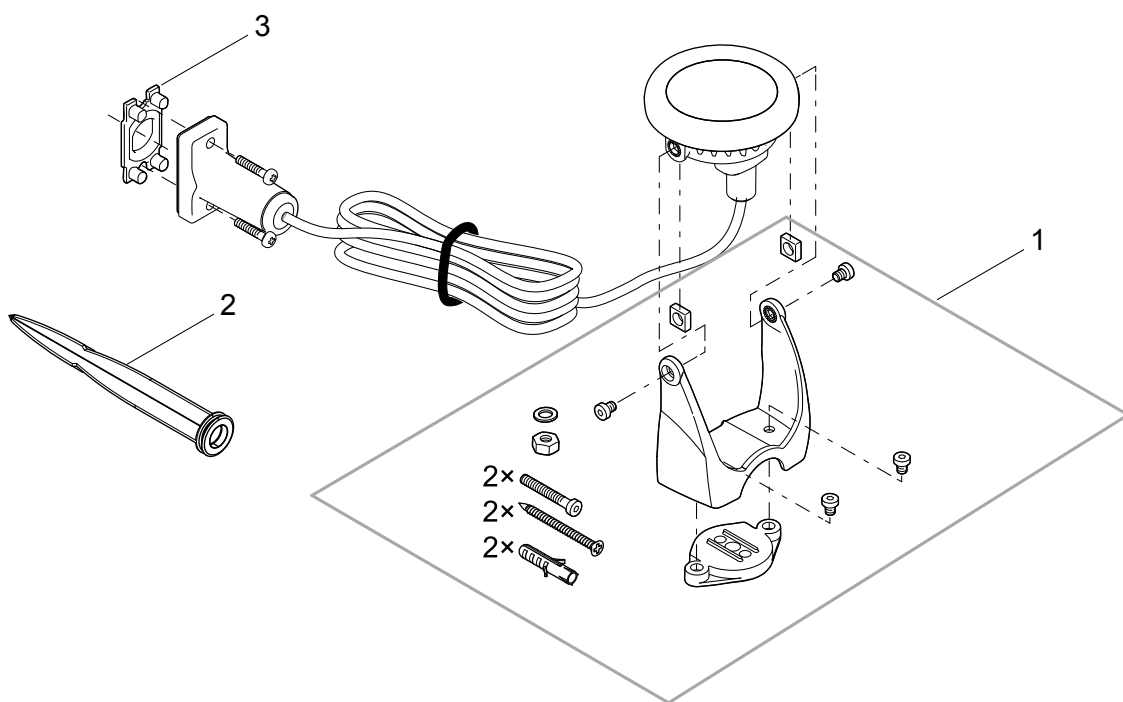
| Pos. | Item no. Product | Product | Item no. Spare part | Spare part | Number |
|-------|--|--|------------------------|--|--------|
| 1 | 74350 | LunAqua Connect Starter Set Controllable [INT] | 90467 | LunAqua Connect Power Supply 36 W | 1 |
| | 87501 | LunAqua Connect M Set 3 [INT] | | | |
| 2 | 74350 | LunAqua Connect Starter Set Controllable [INT] | 74336 | LunAqua Connect M Solo RGB | 1 |
| | 87501 | LunAqua Connect M Set 3 [INT] | 87019 | LunAqua Connect M Solo white | 1 |
| 3 | 87506 | LunAqua Connect S Set 3 [INT] | 87020 | LunAqua Connect S Solo white | 1 |
| | 74336 | LunAqua Connect M Solo RGB [INT] | 94806 | Spare connection set LunAqua Connect | 1 |
| | 74350 | LunAqua Connect Starter Set Controllable [INT] | | | |
| | 87019 | LunAqua Connect M Solo white [INT] | | | |
| | 87020 | LunAqua Connect S Solo white [INT] | | | |
| | 87022 | LunAqua Connect L Solo white [INT] | | | |
| | 87501 | LunAqua Connect M Set 3 [INT] | | | |
| | 87506 | LunAqua Connect S Set 3 [INT] | | | |
| | 96551 | LunAqua Connect M Solo White Cable 10 m [INT] | | | |
| | 74336 | LunAqua Connect M Solo RGB [INT] | | | |
| 74350 | LunAqua Connect Starter Set Controllable [INT] | | | | |
| 4 | 87019 | LunAqua Connect M Solo white [INT] | 92567 | ASM base LunAqua Connect | 1 |
| | 87020 | LunAqua Connect S Solo white [INT] | | | |
| | 87022 | LunAqua Connect L Solo white [INT] | | | |
| | 87501 | LunAqua Connect M Set 3 [INT] | | | |
| | 87506 | LunAqua Connect S Set 3 [INT] | | | |
| | 96551 | LunAqua Connect M Solo White Cable 10 m [INT] | | | |
| | 74336 | LunAqua Connect M Solo RGB [INT] | | | |
| | 74350 | LunAqua Connect Starter Set Controllable [INT] | | | |
| 5 | 87019 | LunAqua Connect M Solo white [INT] | 90406 | Spike LunAqua Connect | 1 |
| | 87020 | LunAqua Connect S Solo white [INT] | | | |
| | 87022 | LunAqua Connect L Solo white [INT] | | | |
| | 87501 | LunAqua Connect M Set 3 [INT] | | | |
| | 87506 | LunAqua Connect S Set 3 [INT] | | | |
| | 96551 | LunAqua Connect M Solo White Cable 10 m [INT] | | | |
| 6 | 74350 | LunAqua Connect Starter Set Controllable [INT] | 87032 | LunAqua Connect Controller OASE Switch | 1 |

| Item no. | Product |
|----------|---------------------------------------|
| 51968 | LunAqua Power LED XL 3000 Narrow Spot |
| 51969 | LunAqua Power LED XL 4000 Flood |
| 51970 | LunAqua Power LED XL 4000 Narrow Spot |
| 51971 | LunAqua Power LED XL 4000 Spot |
| 51978 | LunAqua Power LED XL 4000 Wide Flood |
| 57762 | LunAqua Power LED XL 3000 Flood |
| 57763 | LunAqua Power LED XL 3000 Spot |
| 57764 | LunAqua Power LED XL 3000 Wide Flood |



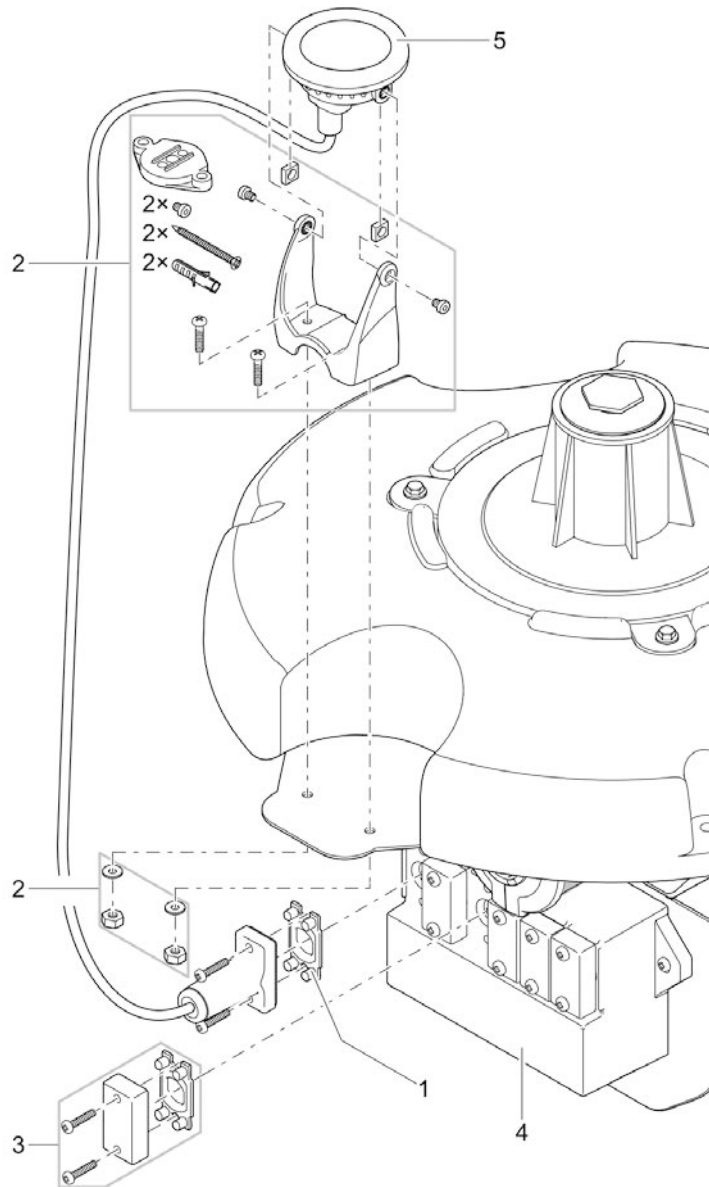
| Pos. | Item no. Product | Product | Item no. Spare part | Spare part | Number |
|------|---------------------|---|------------------------|--|--------|
| | 51968 | LunAqua Power LED XL 3000 Narrow Spot [INT] | | | |
| | 51969 | LunAqua Power LED XL 4000 Flood [INT] | | | |
| | 51970 | LunAqua Power LED XL 4000 Narrow Spot [INT] | | | |
| 1 | 51971 | LunAqua Power LED XL 4000 Spot [INT] | 36467 | Spare part top/glass LunAqua Power LEDXL | 1 |
| | 51978 | LunAqua Power LED XL 4000 Wide Flood [INT] | | | |
| | 57762 | LunAqua Power LED XL 3000 Flood [INT] | | | |
| | 57763 | LunAqua Power LED XL 3000 Spot [INT] | | | |
| | 57764 | LunAqua Power LED XL 3000 Wide Flood [INT] | | | |
| | 51968 | LunAqua Power LED XL 3000 Narrow Spot [INT] | | | |
| | 51969 | LunAqua Power LED XL 4000 Flood [INT] | | | |
| | 51970 | LunAqua Power LED XL 4000 Narrow Spot [INT] | | | |
| 2 | 51971 | LunAqua Power LED XL 4000 Spot [INT] | 13422 | Spare part fastening set LunAqua | 1 |
| | 51978 | LunAqua Power LED XL 4000 Wide Flood [INT] | | | |
| | 57762 | LunAqua Power LED XL 3000 Flood [INT] | | | |
| | 57763 | LunAqua Power LED XL 3000 Spot [INT] | | | |
| | 57764 | LunAqua Power LED XL 3000 Wide Flood [INT] | | | |

| Item no. | Product |
|----------|-------------------------|
| 42638 | ProfiLux Garden LED RGB |



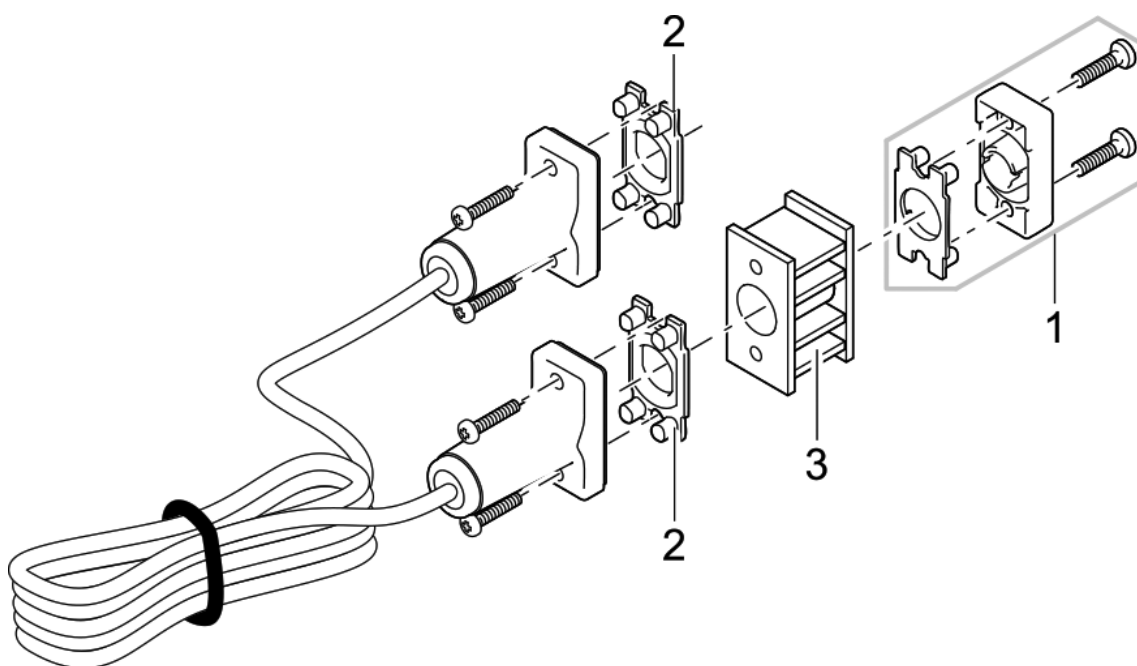
| Pos. | Item no. Product | Product | Item no. Spare part | Spare part | Number |
|------|------------------|-------------------------------|---------------------|--|--------|
| 1 | 42638 | ProfiLux Garden LED RGB [INT] | 43754 | Spare retainer set LunAqua Power LED W | 1 |
| 2 | 42638 | ProfiLux Garden LED RGB [INT] | 20284 | Spike | 1 |
| 3 | 42638 | ProfiLux Garden LED RGB [INT] | 47019 | Gasket OC blue | 1 |

| Item no. | Product |
|----------|--|
| 42641 | Floating fountain illumination set RGB |



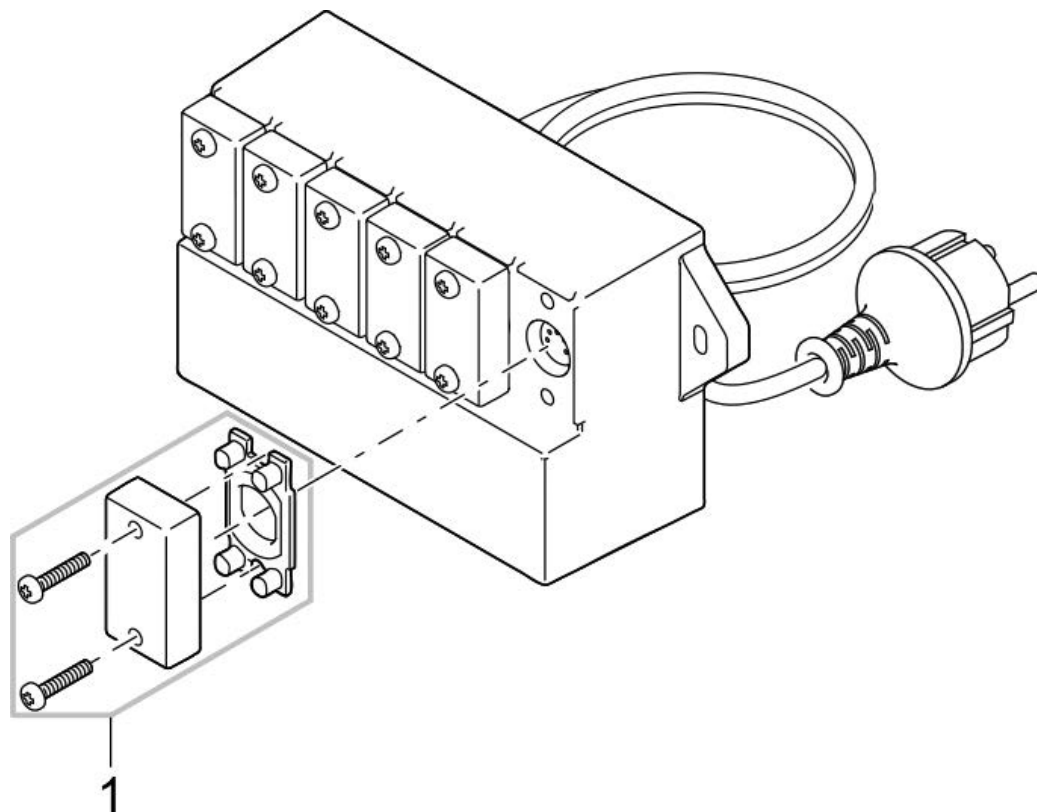
| Pos. | Item no. Product | Product | Item no. Spare part | Spare part | Number |
|------|------------------|--|---------------------|--|--------|
| 1 | 42641 | Floating fountain illumination set RGB [INT] | 47019 | Gasket OC blue | 1 |
| 2 | 42641 | Floating fountain illumination set RGB [INT] | 43754 | Spare retainer set LunAqua Power LED W | 1 |
| 3 | 42641 | Floating fountain illumination set RGB [INT] | 43867 | Spare set ASM gland seal | 1 |
| 4 | 42641 | Floating fountain illumination set RGB [INT] | 48676 | ProfiLux Garden LED Controller 20 m | 1 |
| 5 | 42641 | Floating fountain illumination set RGB [INT] | 42638 | ProfiLux Garden LED RGB | 1 |

| Item no. | Product |
|----------|---------------------------------|
| 42640 | ProfiLux Garden LED cable 7.5 m |



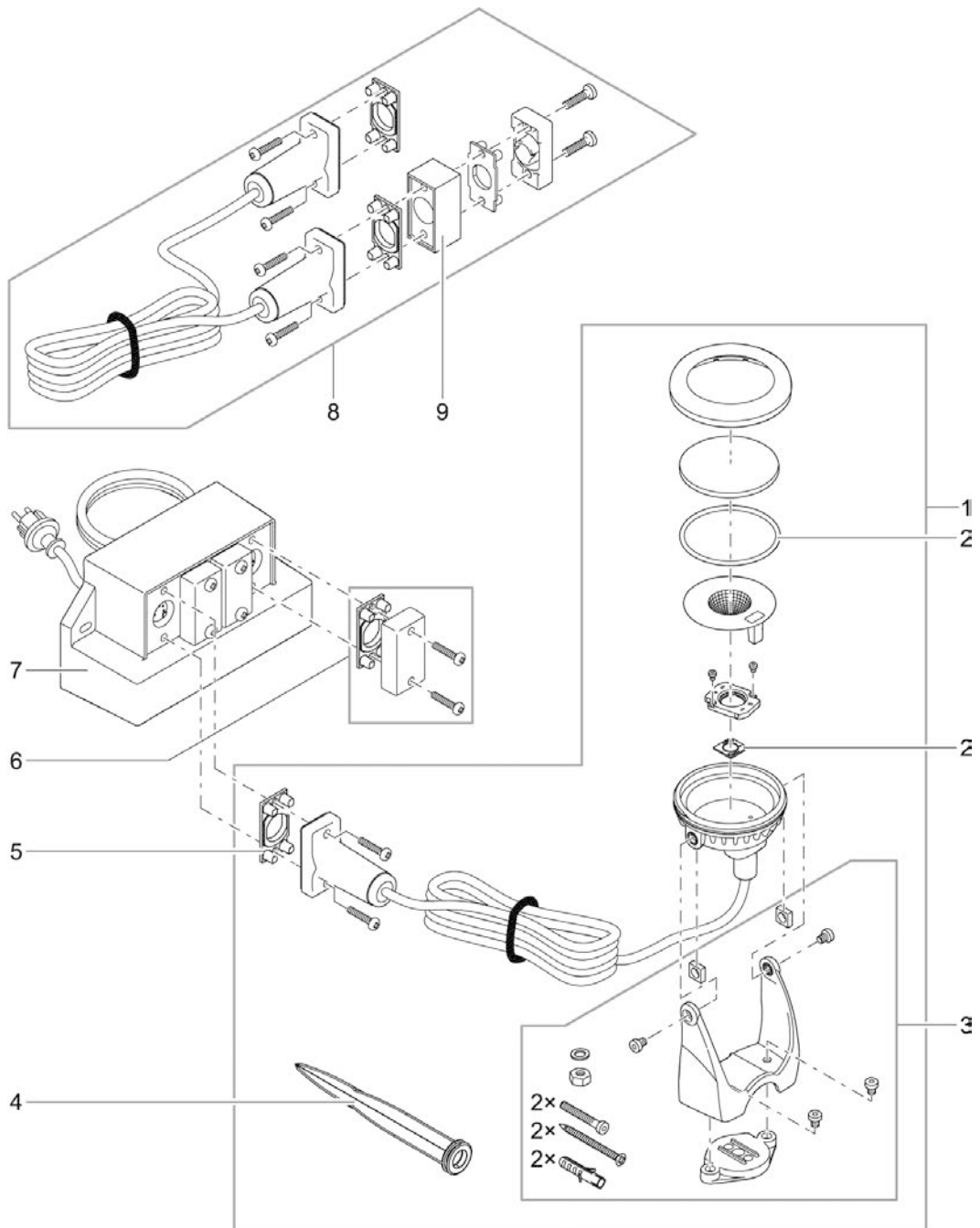
| Pos. | Item no. Product | Product | Item no. Spare part | Spare part | Number |
|------|------------------|---------------------------------------|---------------------|--|--------|
| 1 | 42640 | ProfiLux Garden LED cable 7.5 m [INT] | 43867 | Spare set ASM gland seal | 1 |
| 2 | 42640 | ProfiLux Garden LED cable 7.5 m [INT] | 47019 | Gasket OC blue | 1 |
| 3 | 42640 | ProfiLux Garden LED cable 7.5 m [INT] | 21768 | ASM distance piece cable connection 2013 | 1 |

| Item no. | Product |
|----------|--------------------------------|
| 42639 | ProfiLux Garden LED controller |



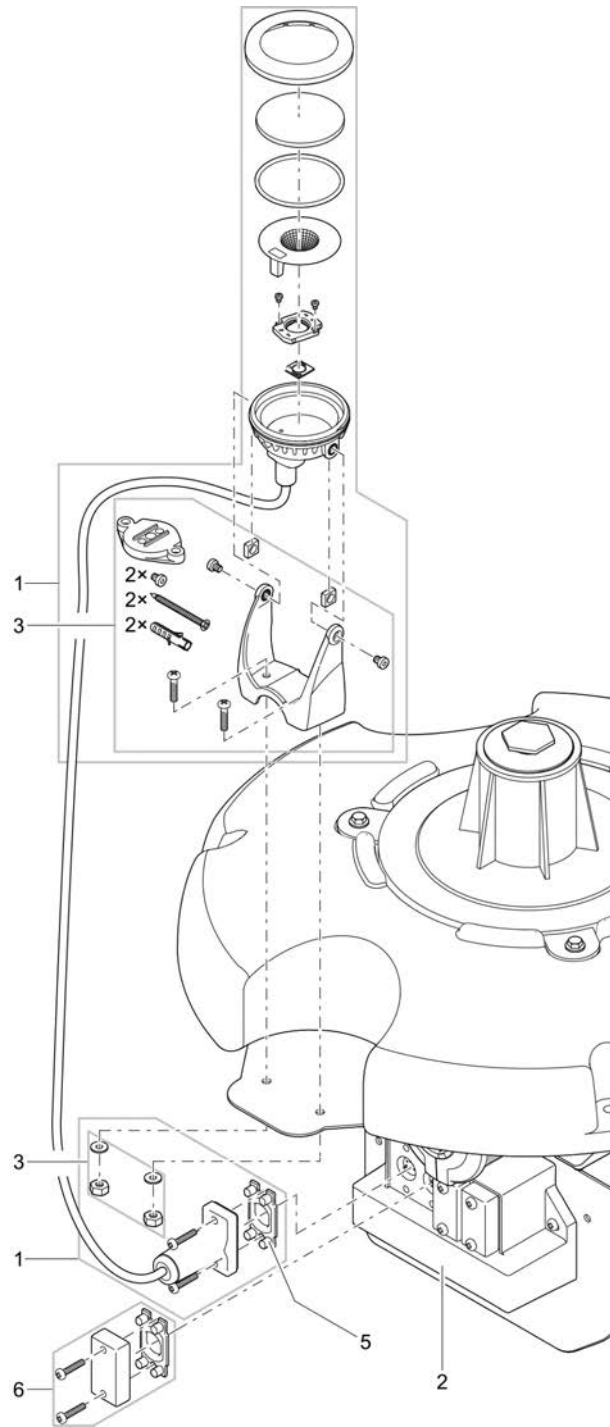
| Pos. | Item no. Product | Product | Item no. Spare part | Spare part | Number |
|------|---------------------|--------------------------------------|------------------------|--------------------------|--------|
| 1 | 42639 | ProfiLux Garden LED controller [INT] | 43867 | Spare set ASM gland seal | 1 |

| Item no. | Product |
|----------|-------------------------|
| 42633 | LunAqua Power LED Set 1 |
| 42634 | LunAqua Power LED Set 3 |
| 42635 | LunAqua Power LED W |



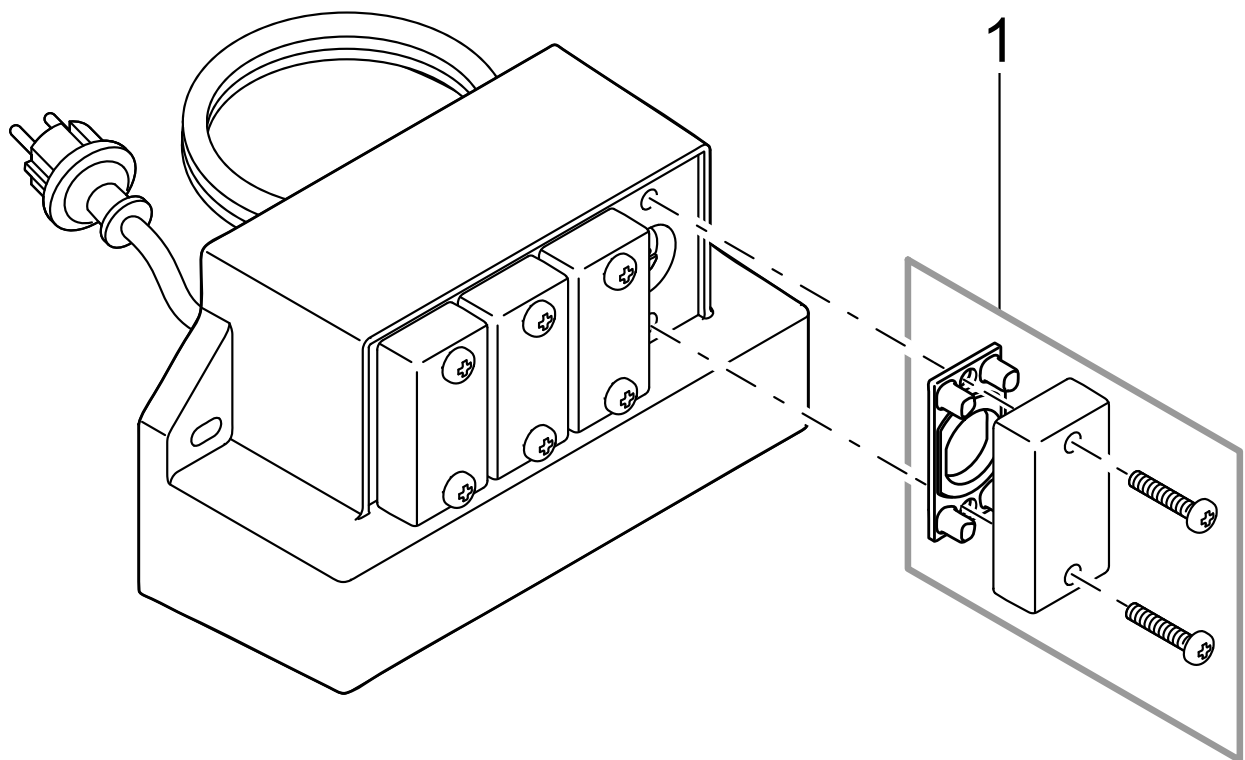
| Pos. | Item no. Product | Product | Item no. Spare part | Spare part | Number |
|------|---------------------|-------------------------------|------------------------|--|--------|
| 1 | 42633 | LunAqua Power LED Set 1 [INT] | 42635 | LunAqua Power LED W | 1 |
| | 42634 | LunAqua Power LED Set 3 [INT] | | | |
| | 42633 | LunAqua Power LED Set 1 [INT] | | | |
| 2 | 42634 | LunAqua Power LED Set 3 [INT] | 43753 | Spare LED LunAqua Power LED W | 1 |
| | 42635 | LunAqua Power LED W [INT] | | | |
| | 42633 | LunAqua Power LED Set 1 [INT] | | | |
| 3 | 42634 | LunAqua Power LED Set 3 [INT] | 43754 | Spare retainer set LunAqua Power LED W | 1 |
| | 42635 | LunAqua Power LED W [INT] | | | |
| | 42633 | LunAqua Power LED Set 1 [INT] | | | |
| 4 | 42634 | LunAqua Power LED Set 3 [INT] | 20284 | Spike | 1 |
| | 42635 | LunAqua Power LED W [INT] | | | |
| | 42633 | LunAqua Power LED Set 1 [INT] | | | |
| 5 | 42634 | LunAqua Power LED Set 3 [INT] | 11710 | Gasket DMX | 1 |
| | 42635 | LunAqua Power LED W [INT] | | | |
| | 42633 | LunAqua Power LED Set 1 [INT] | | | |
| 6 | 42634 | LunAqua Power LED Set 3 [INT] | 43867 | Spare set ASM gland seal | 1 |
| | 42635 | LunAqua Power LED W [INT] | | | |
| | 42633 | LunAqua Power LED Set 1 [INT] | | | |
| 7 | 42634 | LunAqua Power LED Set 3 [INT] | 57821 | LunAqua Power LED Driver 3 m | 1 |
| | 42635 | LunAqua Power LED W [INT] | | | |
| | 42633 | LunAqua Power LED Set 1 [INT] | | | |
| 8 | 42634 | LunAqua Power LED Set 3 [INT] | 42636 | LunAqua Power LED cable 10 m | 1 |
| | 42635 | LunAqua Power LED W [INT] | | | |
| | 42633 | LunAqua Power LED Set 1 [INT] | | | |
| 9 | 42634 | LunAqua Power LED Set 3 [INT] | 21768 | ASM distance piece cable connection 2013 | 1 |
| | 42635 | LunAqua Power LED W [INT] | | | |

| Item no. | Product |
|----------|--|
| 42637 | LED-Floating Fountain Illumination white |



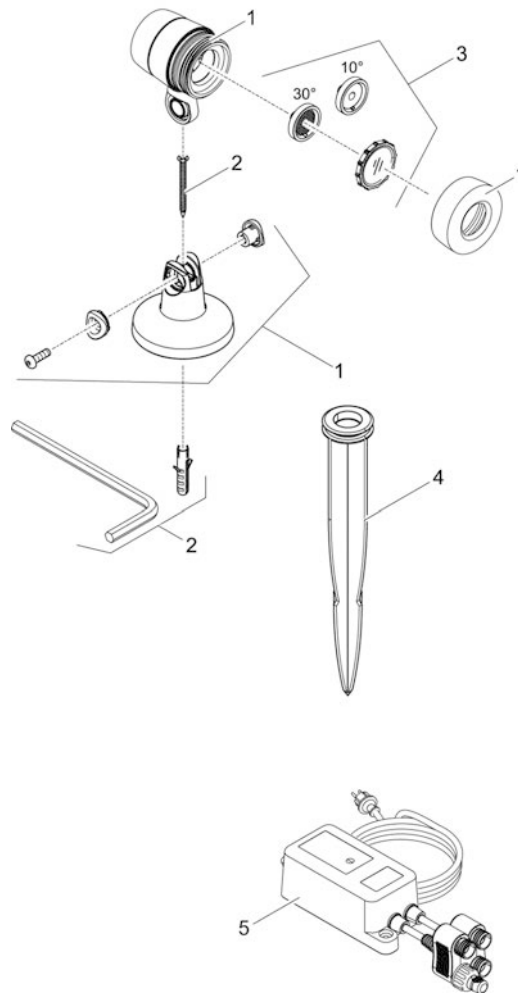
| Pos. | Item no. Product | Product | Item no. Spare part | Spare part | Number |
|------|------------------|--|---------------------|--|--------|
| 1 | 42637 | LED-floating fountain illumination white [INT] | 42635 | LunAqua Power LED W | 1 |
| 2 | 42637 | LED-floating fountain illumination white [INT] | 45236 | LunAqua Power LED Driver 20 m | 1 |
| 3 | 42637 | LED-floating fountain illumination white [INT] | 43754 | Spare retainer set LunAqua Power LED W | 1 |
| 5 | 42637 | LED-floating fountain illumination white [INT] | 11710 | Gasket DMX | 1 |
| 6 | 42637 | LED-floating fountain illumination white [INT] | 43867 | Spare set ASM gland seal | 1 |

| Item no. | Product |
|----------|------------------------------|
| 57821 | LunAqua Power LED Driver 3 m |



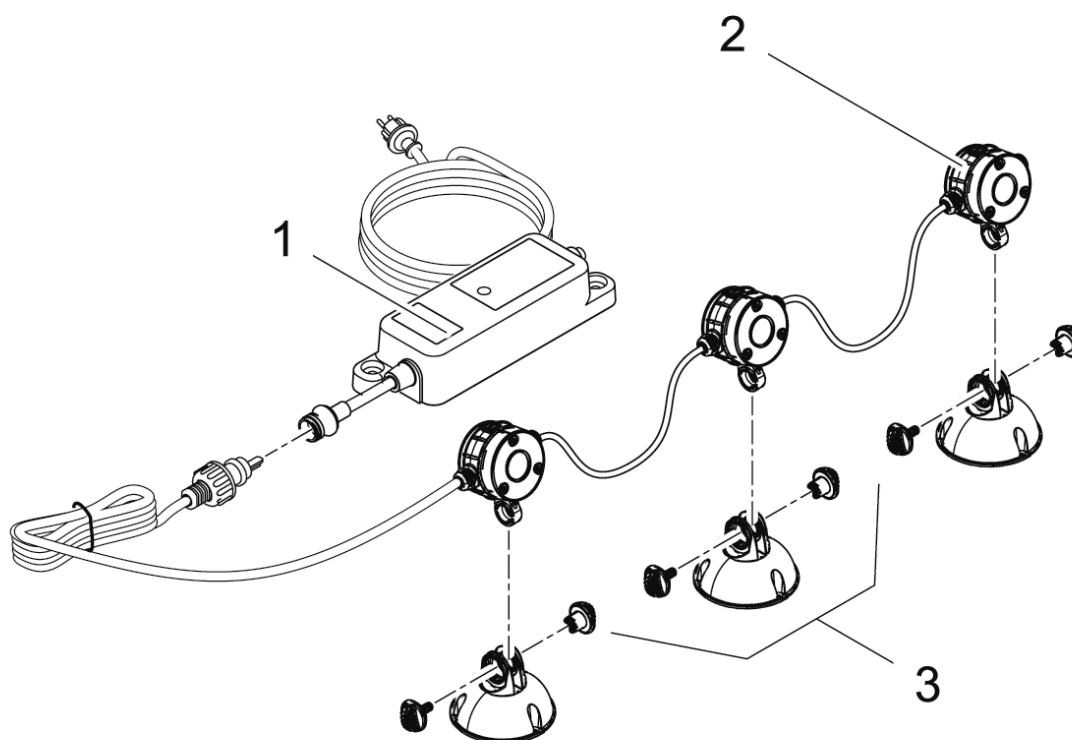
| Pos. | Item no. Product | Product | Item no. Spare part | Spare part | Number |
|------|------------------|------------------------------------|---------------------|--------------------------|--------|
| 1 | 57821 | LunAqua Power LED Driver 3 m [INT] | 43867 | Spare set ASM gland seal | 1 |

| Item no. | Product |
|----------|------------------------|
| 50507 | LunAqua Maxi LED Set 1 |
| 50508 | LunAqua Maxi LED Set 3 |
| 50509 | LunAqua Maxi LED Solo |



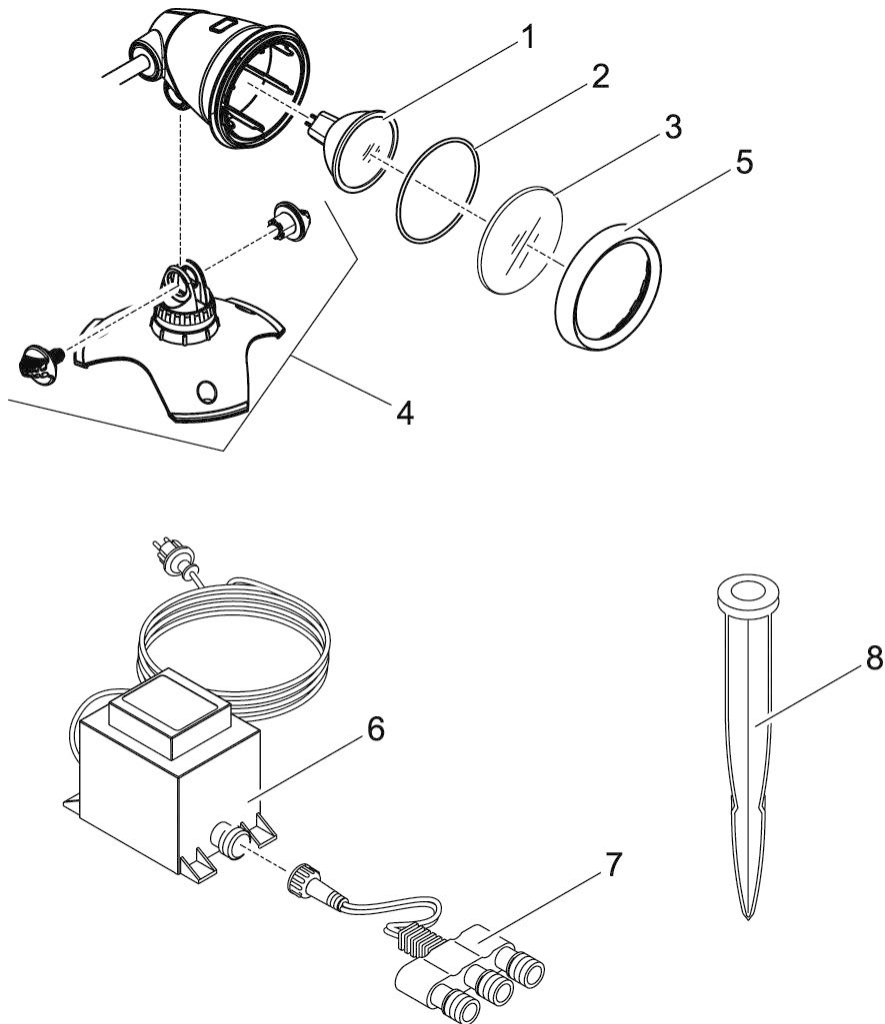
| Pos. | Item no. Product | Product | Item no. Spare part | Spare part | Number |
|------|------------------|------------------------------|---------------------|--|--------|
| 1 | 50507 | LunAqua Maxi LED Set 1 [INT] | 50509 | LunAqua Maxi LED Solo | 1 |
| | 50508 | LunAqua Maxi LED Set 3 [INT] | | | |
| 2 | 50507 | LunAqua Maxi LED Set 1 [INT] | 15671 | Replacement holder LunAqua Maxi | 1 |
| | 50508 | LunAqua Maxi LED Set 3 [INT] | | | |
| 3 | 50507 | LunAqua Maxi LED Set 1 [INT] | 15670 | Spare optics LunAqua Maxi | 1 |
| | 50508 | LunAqua Maxi LED Set 3 [INT] | | | |
| 4 | 50507 | LunAqua Maxi LED Set 1 [INT] | 20284 | Spike | 1 |
| | 50508 | LunAqua Maxi LED Set 3 [INT] | | | |
| 5 | 50507 | LunAqua Maxi LED Set 1 [INT] | 14614 | ASM electronic unit LunAqua Maxi Set 1 | 1 |
| | 50508 | LunAqua Maxi LED Set 3 [INT] | 15213 | ASM electronic unit LunAqua Maxi Set 3 | 1 |
| | 50509 | LunAqua Maxi LED Solo [INT] | 14614 | ASM electronic unit LunAqua Maxi Set 1 | 1 |

| Item no. | Product |
|----------|-----------------------|
| 50512 | LunAqua Mini LED |
| 50513 | LunAqua Mini LED warm |



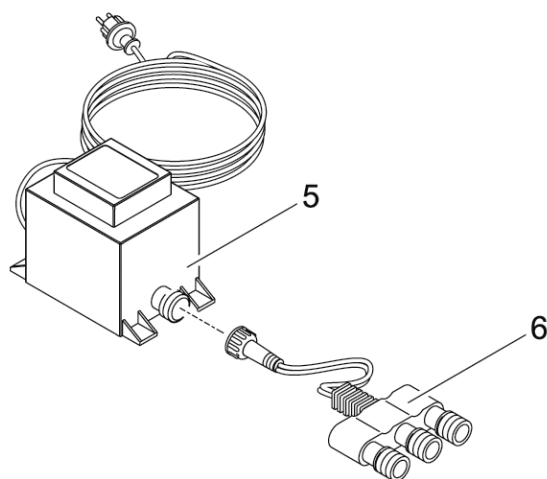
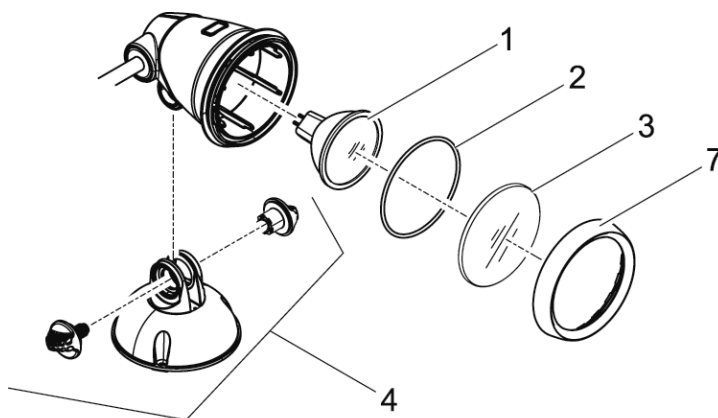
| Pos. | Item no. Product | Product | Item no. Spare part | Spare part | Number |
|------|------------------|-----------------------------|---------------------|-----------------------------------|--------|
| 1 | 50512 | LunAqua Mini LED [INT] | 15562 | ASM electronic box LunAqua Mini | 1 |
| | 50513 | LunAqua Mini LED warm [INT] | | | |
| 2 | 50512 | LunAqua Mini LED [INT] | 30856 | ASM LED Luminis 3 cold white 2013 | 1 |
| | 50513 | LunAqua Mini LED warm [INT] | 30857 | ASM LED Luminis 3 warm white 2013 | 1 |
| 3 | 50512 | LunAqua Mini LED [INT] | 15619 | ASM base LunAqua Mini | 1 |
| | 50513 | LunAqua Mini LED warm [INT] | | | |

| Item no. | Product |
|----------|---------------------|
| 57034 | LunAqua 3 LED Set 1 |
| 57035 | LunAqua 3 LED Set 3 |



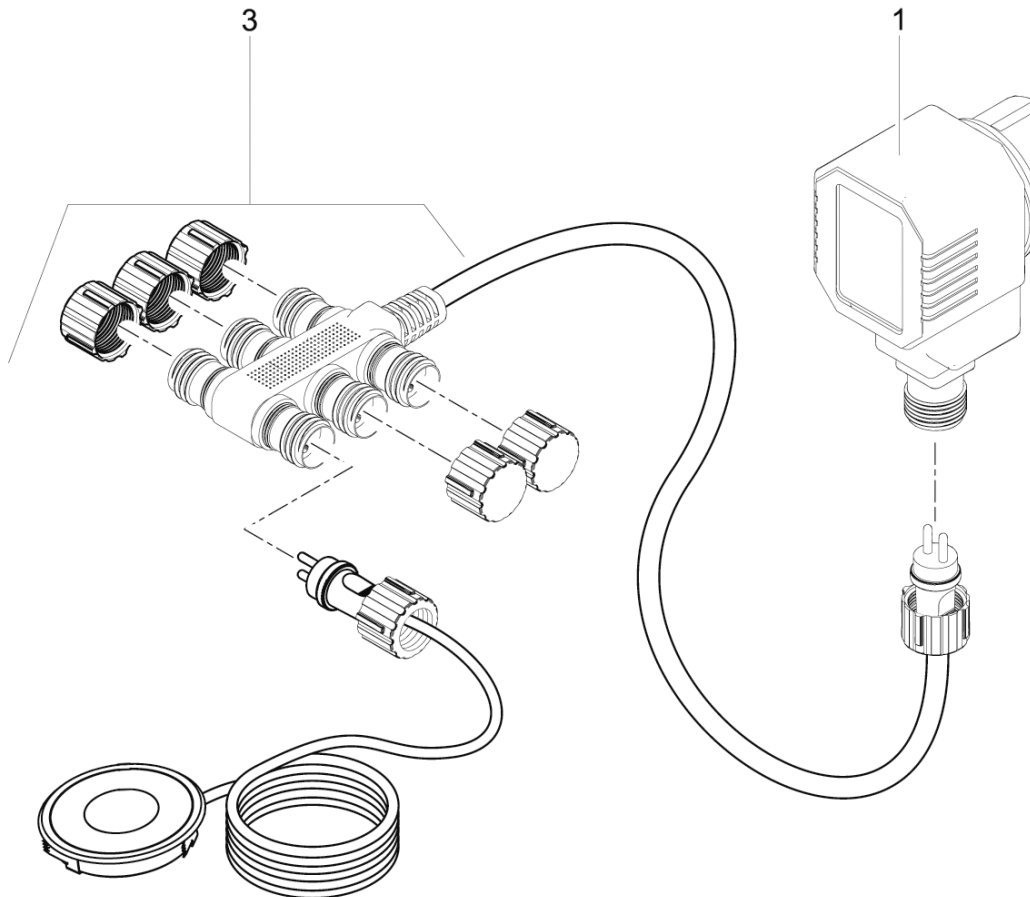
| Pos. | Item no. Product | Product | Item no. Spare part | Spare part | Number |
|------|------------------|---------------------------|---------------------|--|--------|
| 1 | 57034 | LunAqua 3 LED Set 1 [INT] | 47727 | LED Lamp LunAqua 3 LED 2017 | 1 |
| | 57035 | LunAqua 3 LED Set 3 [INT] | | | |
| 2 | 57034 | LunAqua 3 LED Set 1 [INT] | 27267 | O-Ring SI 61 x 2 SH70 A black | 1 |
| | 57035 | LunAqua 3 LED Set 3 [INT] | | | |
| 3 | 57034 | LunAqua 3 LED Set 1 [INT] | 27259 | Lens clear LunAqua 3 | 1 |
| | 57035 | LunAqua 3 LED Set 3 [INT] | | | |
| 4 | 57034 | LunAqua 3 LED Set 1 [INT] | 22982 | Spare part base LunAqua 3 LED | 1 |
| | 57035 | LunAqua 3 LED Set 3 [INT] | | | |
| 5 | 57034 | LunAqua 3 LED Set 1 [INT] | 27073 | Coupling nut LunAqua 3 / Classic LED | 1 |
| | 57035 | LunAqua 3 LED Set 3 [INT] | | | |
| 6 | 57034 | LunAqua 3 LED Set 1 [INT] | 27067 | Transformer 20VA 2m H05RN-F 2 x 0.75 mm² | 1 |
| | 57035 | LunAqua 3 LED Set 3 [INT] | | | |
| 7 | 57034 | LunAqua 3 LED Set 1 [INT] | 15117 | Adapter male H05RN-F2x0.75/female 3x2.35 | 1 |
| | 57035 | LunAqua 3 LED Set 3 [INT] | | | |
| 8 | 57034 | LunAqua 3 LED Set 1 [INT] | 20284 | Spike | 1 |
| | 57035 | LunAqua 3 LED Set 3 [INT] | | | |

| Item no. | Product |
|----------|---------------------------|
| 50527 | LunAqua Classic LED Set 1 |
| 50530 | LunAqua Classic LED Set 3 |



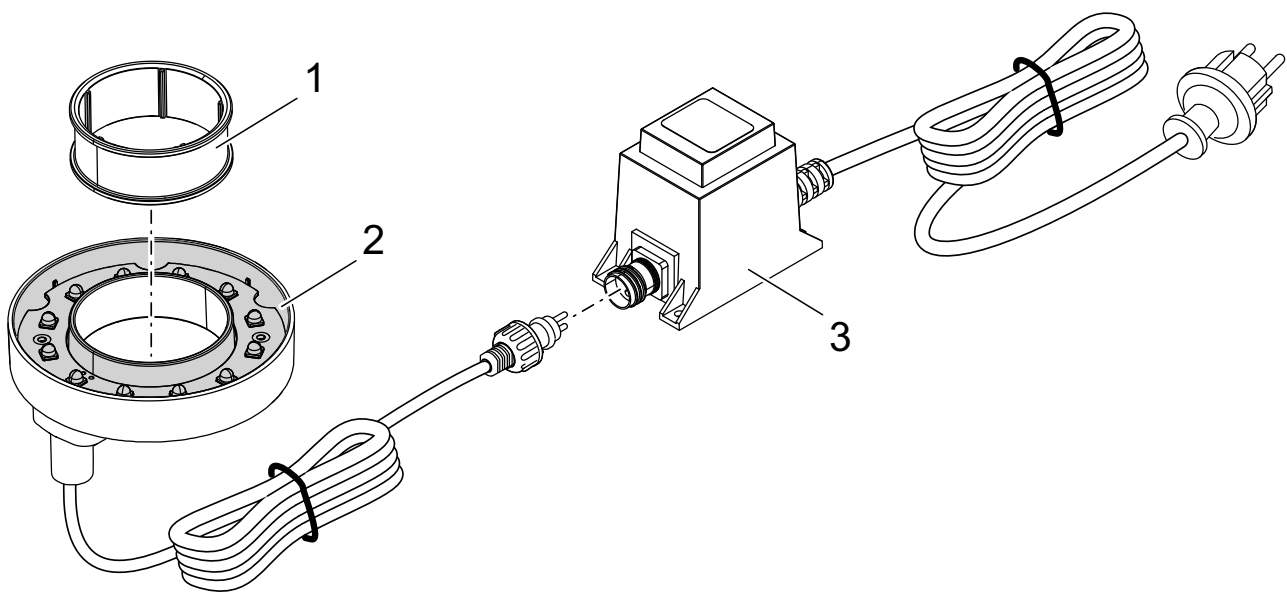
| Pos. | Item no. Product | Product | Item no. Spare part | Spare part | Number |
|------|---------------------|---------------------------------|------------------------|--|--------|
| 1 | 50527 | LunAqua Classic LED Set 1 [INT] | 42652 | Lamp LED MR-16 12 V / 1 W GU5.3 SMD | 1 |
| | 50530 | LunAqua Classic LED Set 3 [INT] | | | |
| 2 | 50527 | LunAqua Classic LED Set 1 [INT] | 27267 | O-Ring SI 61 x 2 SH70 A black | 1 |
| | 50530 | LunAqua Classic LED Set 3 [INT] | | | |
| 3 | 50527 | LunAqua Classic LED Set 1 [INT] | 27259 | Lens clear LunAqua 3 | 1 |
| | 50530 | LunAqua Classic LED Set 3 [INT] | | | |
| 4 | 50527 | LunAqua Classic LED Set 1 [INT] | 35649 | ASM base Luminis / LunAqua Classic | 1 |
| | 50530 | LunAqua Classic LED Set 3 [INT] | | | |
| 5 | 50527 | LunAqua Classic LED Set 1 [INT] | 15118 | Transformer 6 VA 2m H05RN-F 2 x 0.75 mm ² | 1 |
| | 50530 | LunAqua Classic LED Set 3 [INT] | | | |
| 6 | 50527 | LunAqua Classic LED Set 1 [INT] | 15117 | Adapter male H05RN-F2x0.75/female 3x2.35 | 1 |
| | 50530 | LunAqua Classic LED Set 3 [INT] | | | |
| 7 | 50527 | LunAqua Classic LED Set 1 [INT] | 27073 | Coupling nut LunAqua 3 / Classic LED | 1 |
| | 50530 | LunAqua Classic LED Set 3 [INT] | | | |

| Item no. | Product |
|----------|-------------------------|
| 50729 | LunAqua Terra LED Set 6 |
| 51043 | LunAqua Terra LED Set 3 |



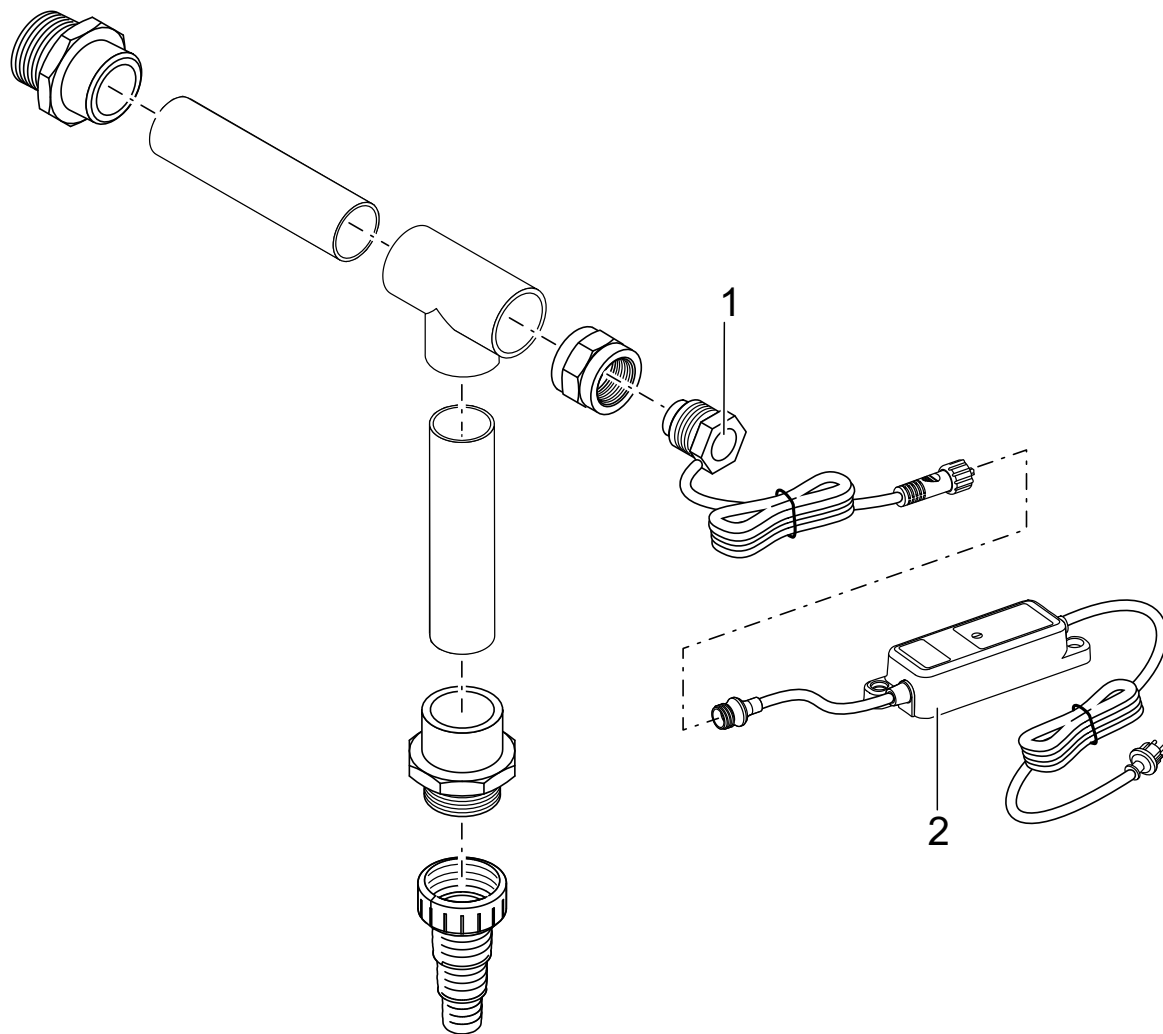
| Pos. | Item no. Product | Product | Item no. Spare part | Spare part | Number |
|------|------------------|-------------------------------|---------------------|---|--------|
| 1 | 50729 | LunAqua Terra LED Set 6 [INT] | 11252 | Transformer DE-02-12DW 35/9 R | 1 |
| | 51043 | LunAqua Terra LED Set 3 [INT] | | | |
| 3 | 50729 | LunAqua Terra LED Set 6 [INT] | 15933 | Adapter male H05RN-F2x0.75/female 6x2.3 | 1 |
| | 51043 | LunAqua Terra LED Set 3 [INT] | | | |

| Item no. | Product |
|----------|-----------------------|
| 88264 | Fountain Ring LED Set |



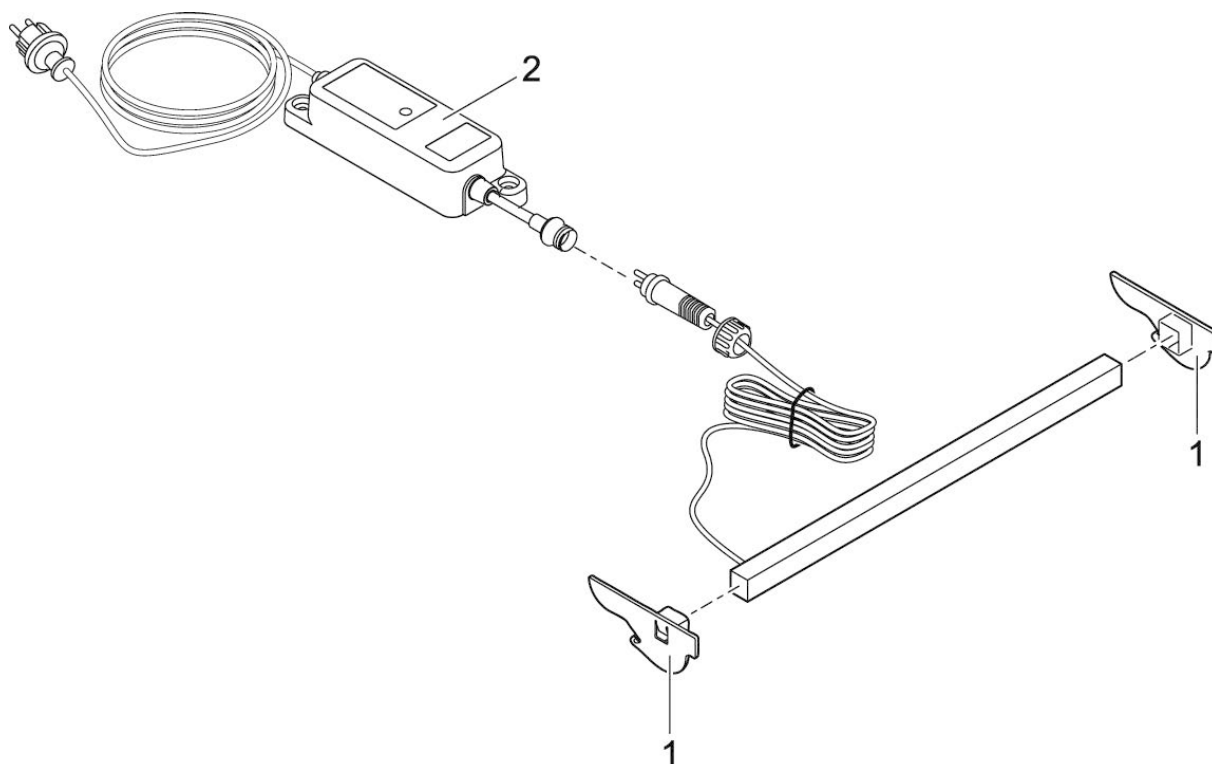
| Pos. | Item no. Product | Product | Item no. Spare part | Spare part | Number |
|------|---------------------|-----------------------------|------------------------|--|--------|
| 1 | 88264 | Fountain Ring LED Set [INT] | 89558 | Holder fountain pipe | 1 |
| 2 | 88264 | Fountain Ring LED Set [INT] | 74383 | ASM Fountain Ring LED | 1 |
| 3 | 88264 | Fountain Ring LED Set [INT] | 15118 | Transformer 6 VA 2m H05RN-F 2 x 0.75 mm ² | 1 |

| Item no. | Product |
|----------|--------------------|
| 88263 | Wall Spout LED Set |



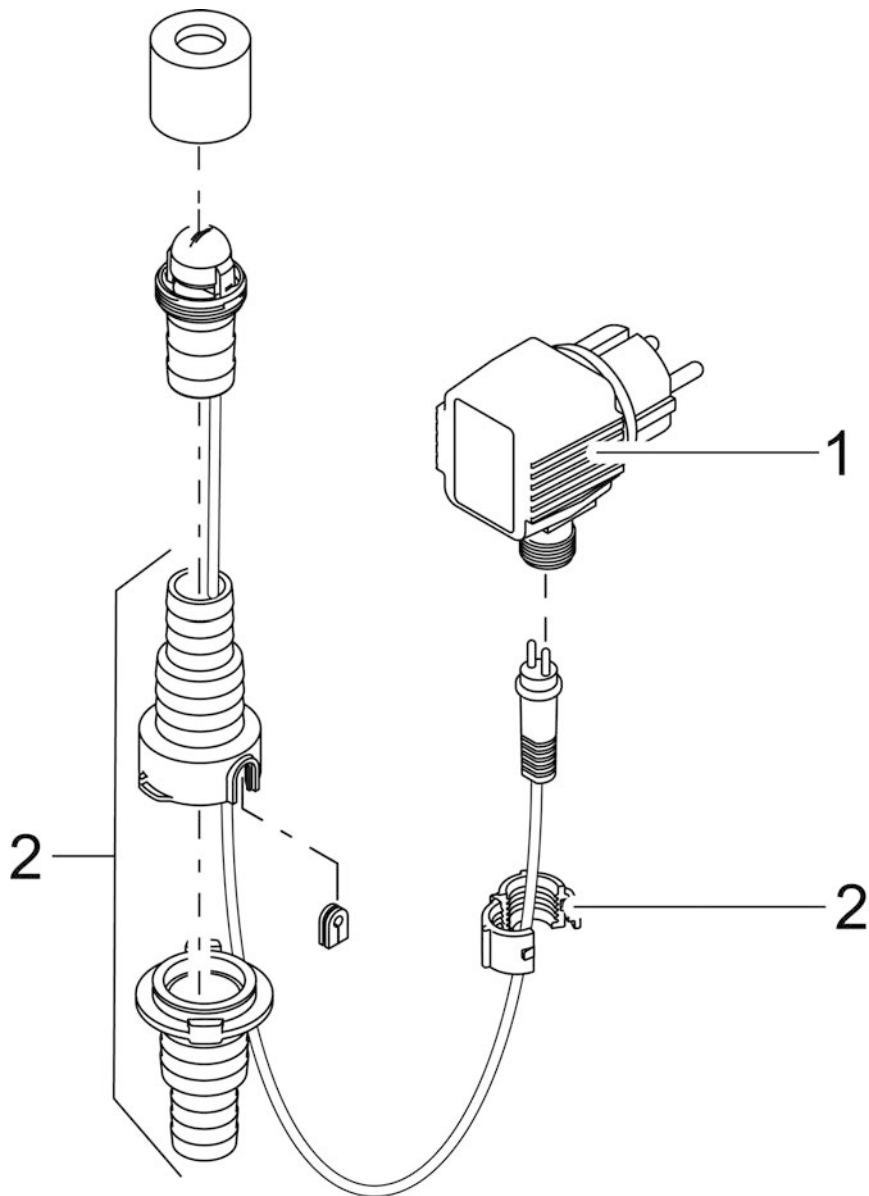
| Pos. | Item no. Product | Product | Item no. Spare part | Spare part | Number |
|------|------------------|--------------------------|---------------------|---------------------------------|--------|
| 1 | 88263 | Wall Spout LED Set [INT] | 74384 | ASM Wall Spout LED | 1 |
| 2 | 88263 | Wall Spout LED Set [INT] | 15562 | ASM electronic box LunAqua Mini | 1 |

| Item no. | Product |
|----------|---------------------------|
| 51205 | Waterfall Illumination 30 |
| 51209 | Waterfall Illumination 60 |
| 51980 | Waterfall Illumination 90 |



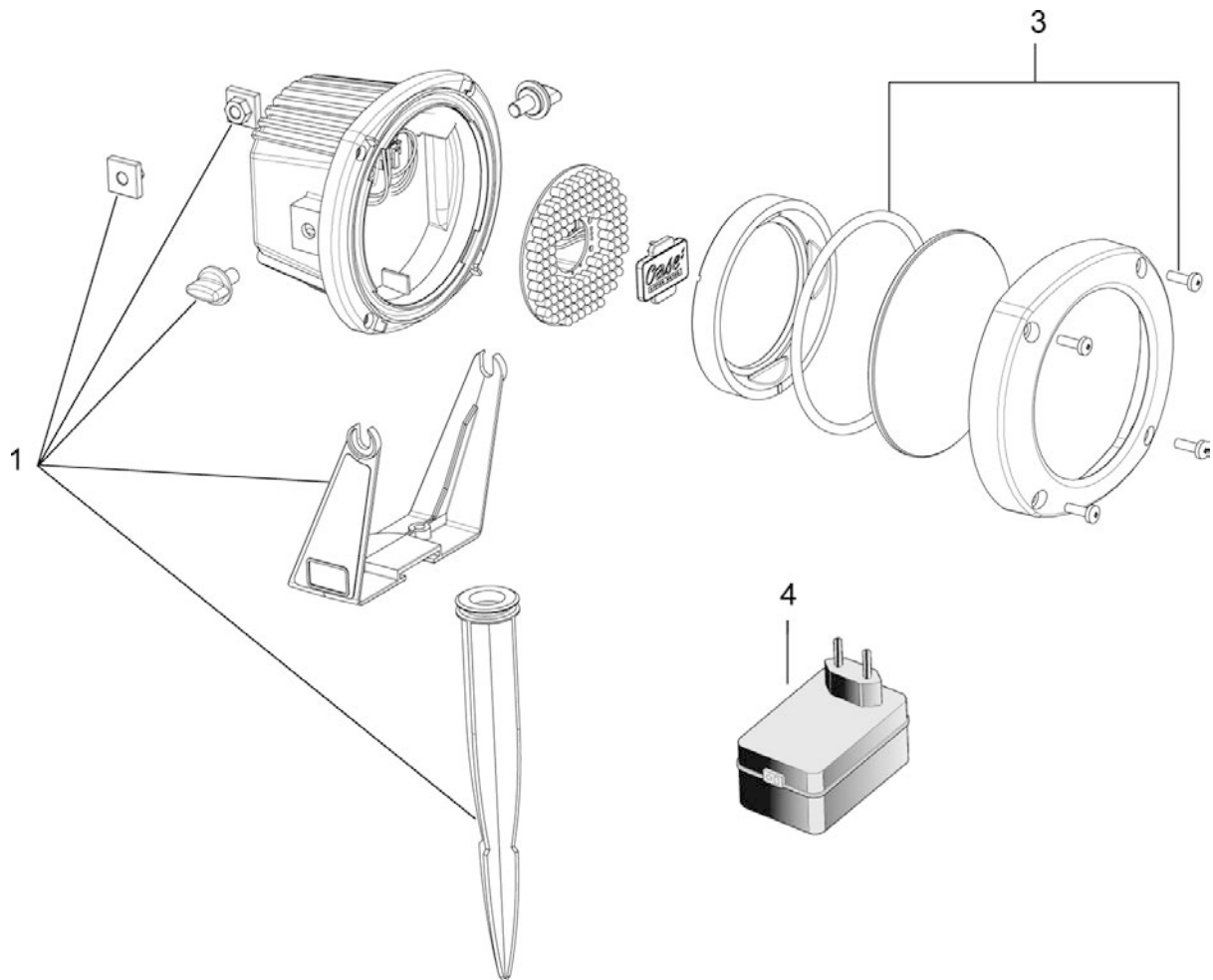
| Pos. | Item no. Product | Product | Item no. Spare part | Spare part | Number |
|------|------------------|---------------------------------|---------------------|--|--------|
| 1 | 51205 | Waterfall Illumination 30 [INT] | | | |
| | 51209 | Waterfall Illumination 60 [INT] | 30210 | Holder Waterfall Illumination spare part | 1 |
| | 51980 | Waterfall Illumination 90 [INT] | | | |
| 2 | 51205 | Waterfall Illumination 30 [INT] | | | |
| | 51209 | Waterfall Illumination 60 [INT] | 22998 | Spare ASM LunAqua LED driver 700 mA | 1 |
| | 51980 | Waterfall Illumination 90 [INT] | 73115 | Spare part LunAqua LED dri. 12 V 1250 mA | 1 |

| Item no. | Product |
|----------|---------------|
| 50114 | LunaLed 6s |
| 50115 | LunaLed 9s |
| 75074 | GB LunaLed 6s |
| 75075 | GB LunaLed 9s |



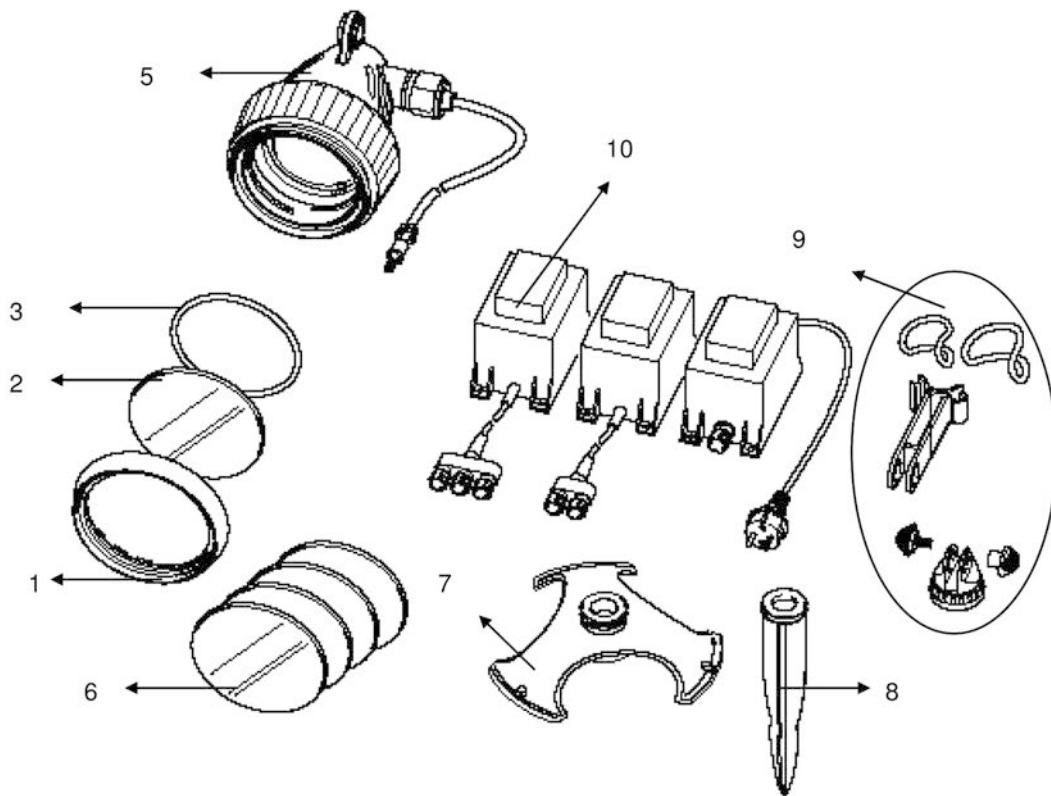
| Pos. | Item no. Product | Product | Item no. Spare part | Spare part | Number |
|------|---------------------|------------------|------------------------|-------------------------------|--------|
| 1 | 50114 | LunaLed 6s [INT] | 11252 | Transformer DE-02-12DW 35/9 R | 1 |
| | 50115 | LunaLed 9s [INT] | | | |
| | 75074 | LunaLed 6s [GB] | 90487 | Spare ASM transformer LunaLed | 1 |
| | 75075 | LunaLed 9s [GB] | | | |
| 2 | 50114 | LunaLed 6s [INT] | 11908 | ASM cable outlet LunaLed | 1 |
| | 50115 | LunaLed 9s [INT] | | | |
| | 75074 | LunaLed 6s [GB] | | | |
| | 75075 | LunaLed 9s [GB] | | | |

| Item no. | Product |
|----------|--------------------|
| 50366 | LunAqua 10 LED /01 |



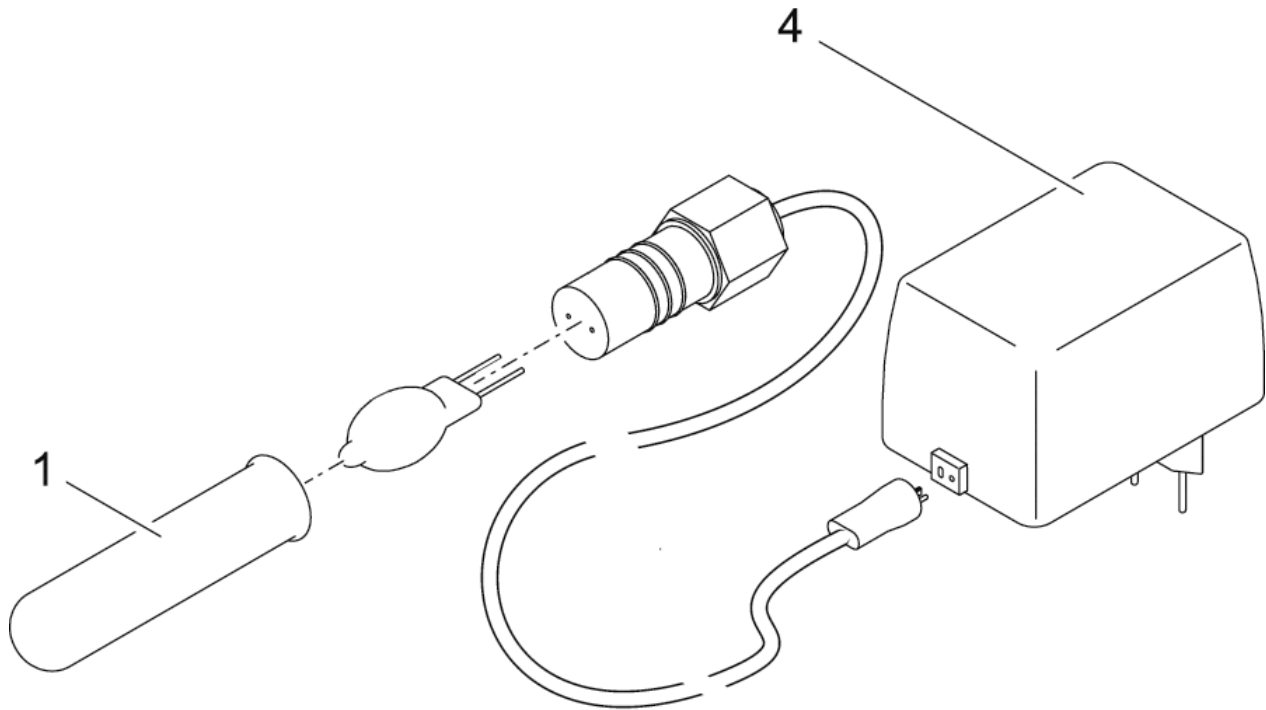
| Pos. | Item no. Product | Product | Item no. Spare part | Spare part | Number |
|------|------------------|--------------------------|---------------------|--|--------|
| 1 | 50366 | LunAqua 10 LED /01 [INT] | 13422 | Spare part fastening set LunAqua | 1 |
| 3 | 50366 | LunAqua 10 LED /01 [INT] | 13421 | Spare part top/glass LunAqua 10 LED | 1 |
| 4 | 50366 | LunAqua 10 LED /01 [INT] | 73313 | Spare Underwater transformer UST 150 /01 | 1 |

| Item no. | Product |
|----------|-----------------|
| 56903 | LunAqua 3 Set 1 |



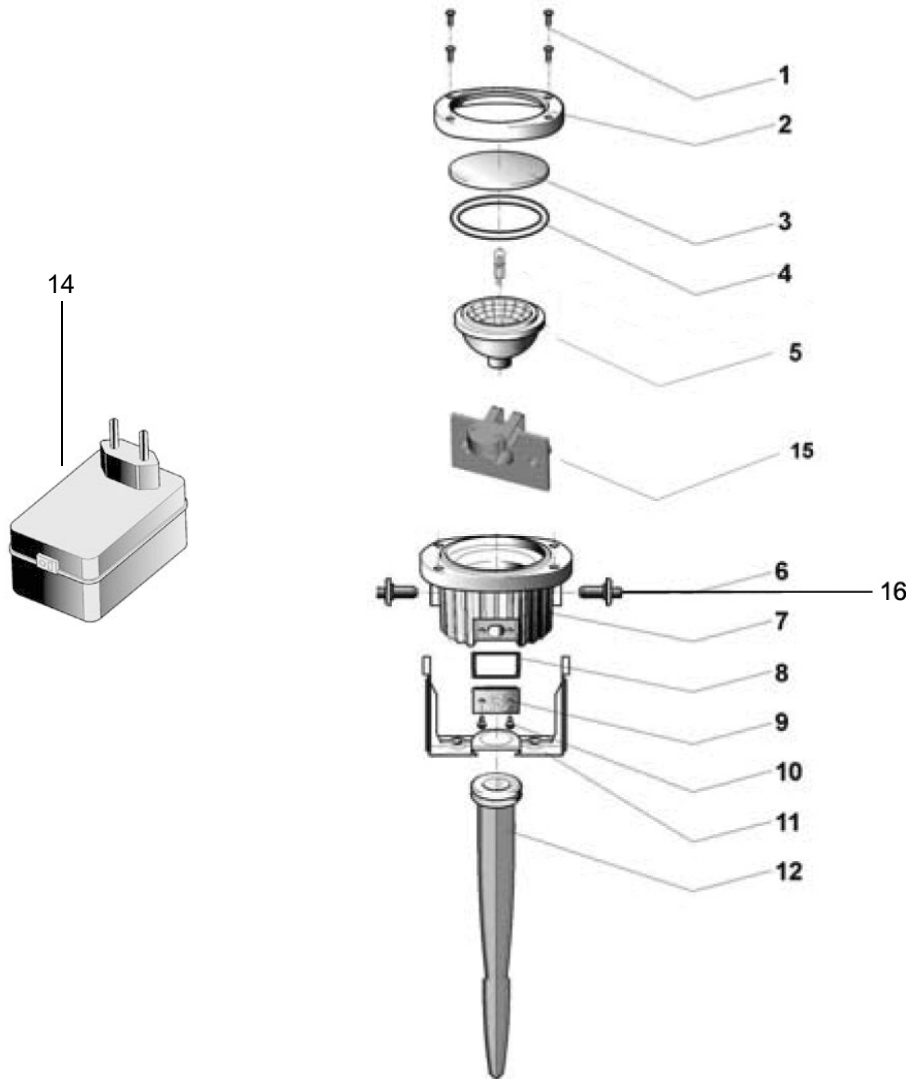
| Pos. | Item no. Product | Product | Item no. Spare part | Spare part | Number |
|------|------------------|-----------------------|---------------------|--|--------|
| 1 | 56903 | LunAqua 3 Set 1 [INT] | 27073 | Coupling nut LunAqua 3 / Classic LED | 1 |
| 2 | 56903 | LunAqua 3 Set 1 [INT] | 27259 | Lens clear LunAqua 3 | 1 |
| 3 | 56903 | LunAqua 3 Set 1 [INT] | 27267 | O-Ring SI 61 x 2 SH70 A black | 1 |
| 5 | 56903 | LunAqua 3 Set 1 [INT] | 35850 | ASM spotlight LunAqua 3 | 1 |
| 6 | 56903 | LunAqua 3 Set 1 [INT] | 27565 | Colour lens set LunAqua 3 / Solar | 1 |
| 7 | 56903 | LunAqua 3 Set 1 [INT] | 35387 | ASM base LunAqua 3 | 1 |
| 8 | 56903 | LunAqua 3 Set 1 [INT] | 20284 | Spike | 1 |
| 9 | 56903 | LunAqua 3 Set 1 [INT] | 27566 | Spare nozzle holder LunAqua 3 | 1 |
| 10 | 56903 | LunAqua 3 Set 1 [INT] | 27067 | Transformer 20VA 2m H05RN-F 2 x 0.75 mm ² | 1 |

| Item no. | Product |
|----------|-----------------------|
| 40290 | LunAqua Micro Eco Set |



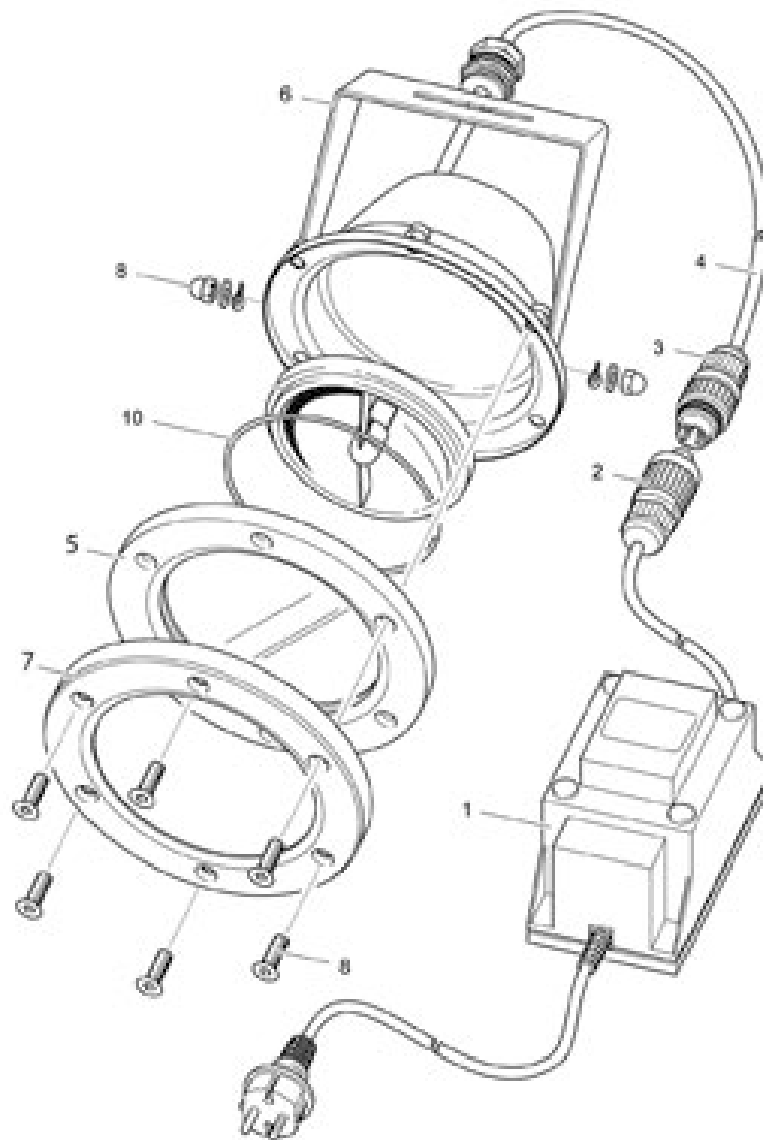
| Pos. | Item no. Product | Product | Item no. Spare part | Spare part | Number |
|------|------------------|-----------------------------|---------------------|---|--------|
| 1 | 40290 | LunAqua Micro Eco Set [INT] | 14363 | Protective glass D12x60.5 LunAqua Micro | 1 |
| 4 | 40290 | LunAqua Micro Eco Set [INT] | 36603 | transformer 230/12V 50 Hz | 1 |

| Item no. | Product |
|----------|------------|
| 54034 | LunAqua 10 |



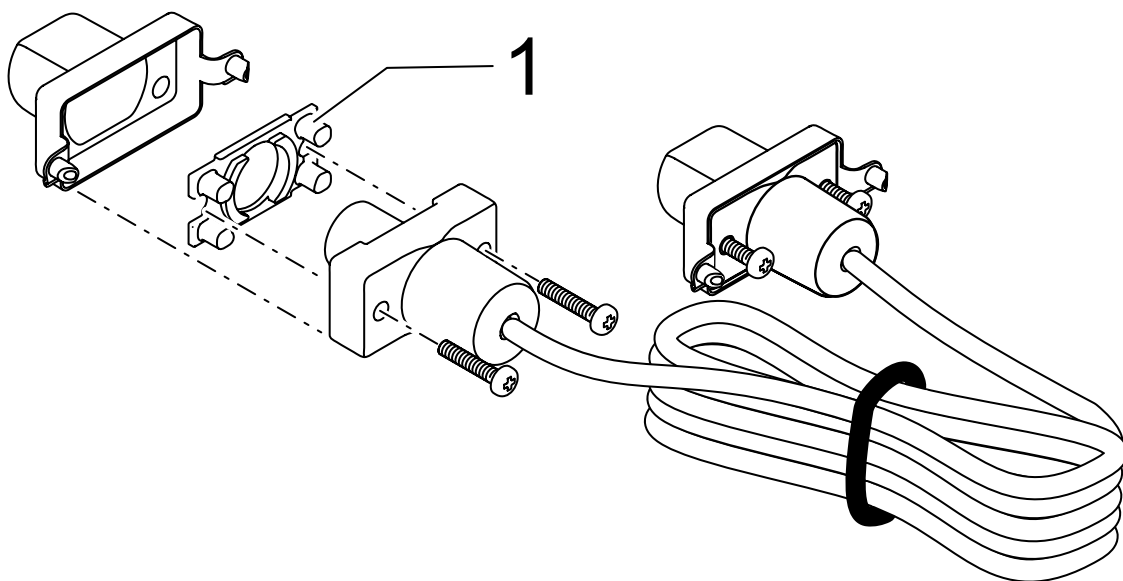
| Pos. | Item no. Product | Product | Item no. Spare part | Spare part | Number |
|------|------------------------|---------|---------------------|--|--------|
| 1 | 54034 LunAqua 10 [INT] | | 6054 | Oval head screw H-V2A DIN 7985 5 x 16 | 4 |
| 2 | 54034 LunAqua 10 [INT] | | 20280 | Top LunAqua 10, 12 V | 1 |
| 3 | 54034 LunAqua 10 [INT] | | 20685 | Lens LunAqua 10 | 1 |
| 4 | 54034 LunAqua 10 [INT] | | 17084 | O-Ring SI 114.2 x 5.7 SH70 | 1 |
| 5 | 54034 LunAqua 10 [INT] | | 20686 | Reflector LunAqua 10 | 1 |
| 6 | 54034 LunAqua 10 [INT] | | 20283 | Clamp screw LunAqua 10 | 2 |
| 7 | 54034 LunAqua 10 [INT] | | 41047 | Base LunAqua 10 LED, 12 V 2018 | 1 |
| 8 | 54034 LunAqua 10 [INT] | | 20682 | Flat gasket 47 x 24 x 0.5 SH70 | 1 |
| 9 | 54034 LunAqua 10 [INT] | | 10889 | Gland seal JumpingJet Rainbow Star | 1 |
| 10 | 54034 LunAqua 10 [INT] | | 6056 | Oval head screw V2A DIN 7985 5 x 22 | 2 |
| 11 | 54034 LunAqua 10 [INT] | | 20282 | Swivel bracket LunAqua 10, 12 V | 1 |
| 12 | 54034 LunAqua 10 [INT] | | 20284 | Spike | 1 |
| 14 | 54034 LunAqua 10 [INT] | | 73313 | Spare Underwater transformer UST 150 /01 | 1 |
| 15 | 54034 LunAqua 10 [INT] | | 34408 | Spare lamp holder LunAqua 10 cpl. | 1 |
| 16 | 54034 LunAqua 10 [INT] | | 20962 | Nut LunAqua 10 | 2 |

| Item no. | Product |
|----------|----------------|
| 56898 | ProfiLux 100 E |



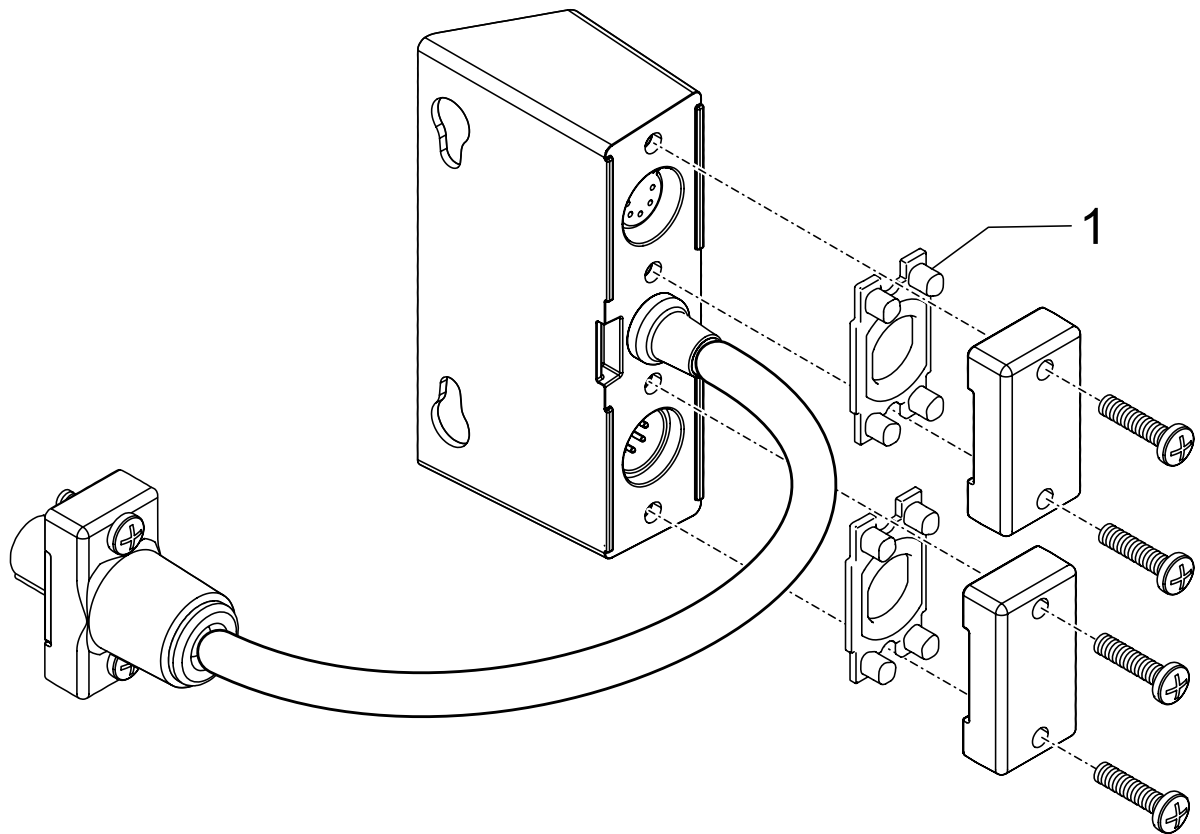
| Pos. | Item no. Product | Product | Item no. Spare part | Spare part | Number |
|------|------------------|----------------------|---------------------|--|--------|
| 1 | 56898 | ProfiLux 100 E [INT] | 35418 | ASM transformer ProfiLux 100 E | 1 |
| 2 | 56898 | ProfiLux 100 E [INT] | 26930 | Cable coupler Solar / ProfiLux | 1 |
| 3 | 56898 | ProfiLux 100 E [INT] | 26922 | Cordplug Solar / ProfiLux | 1 |
| 4 | 56898 | ProfiLux 100 E [INT] | 26996 | Cable ProfiLux H07RN-F 2 x 2.5 mm ² | 1 |
| 5 | 56898 | ProfiLux 100 E [INT] | 27581 | ASM gasket + disc ProfiLux 100 | 1 |
| 6 | 56898 | ProfiLux 100 E [INT] | 34572 | Holder VA LunAqua 10 / ProfiLux | 1 |
| 7 | 56898 | ProfiLux 100 E [INT] | 27582 | Cover ring ProfiLux 100 E | 1 |
| 8 | 56898 | ProfiLux 100 E [INT] | 27580 | Spare part screws ProfiLux 100 | 1 |
| 10 | 56898 | ProfiLux 100 E [INT] | 27583 | Clamp ring ProfiLux 100 | 1 |

| Item no. | Product |
|----------|--------------------------------------|
| 47038 | OASE Control connection cable 2.5 m |
| 47039 | OASE Control connection cable 5.0 m |
| 47040 | OASE Control connection cable 10.0 m |
| 72713 | OASE Control connection cable 30.0 m |



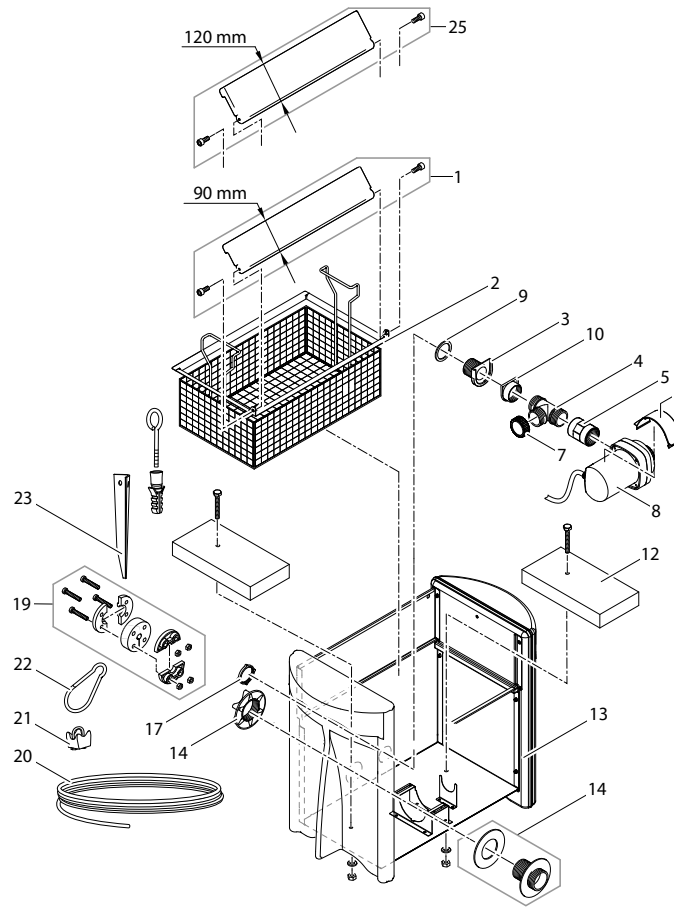
| Pos. | Item no. Product | Product | Item no. Spare part | Spare part | Number |
|------|---------------------|--|------------------------|----------------|--------|
| | 47040 | OASE Control connection cable 10.0 m [INT] | | | |
| 1 | 47038 | OASE Control connection cable 2.5 m [INT] | 47019 | Gasket OC blue | 1 |
| | 47039 | OASE Control connection cable 5.0 m [INT] | | | |
| | 72713 | OASE Control connection cable 30.0 m [INT] | | | |

| Item no. | Product |
|----------|----------------------|
| 88443 | OASE Control Adaptor |



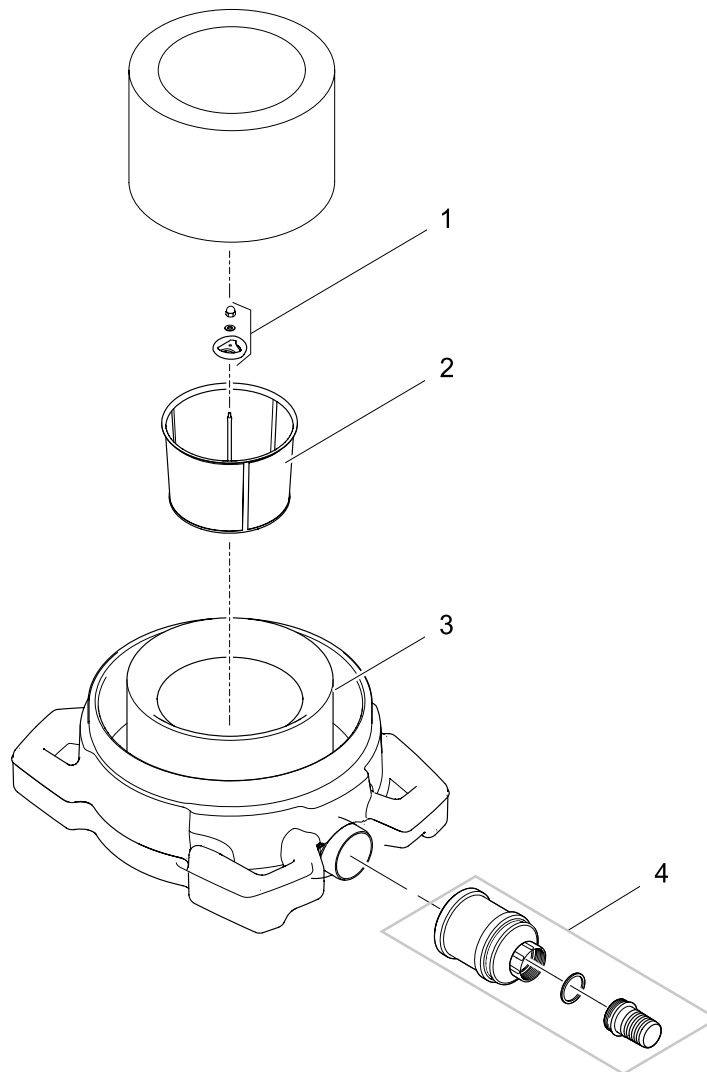
| Pos. | Item no. Product | Product | Item no. Spare part | Spare part | Number |
|------|---------------------|----------------------------|------------------------|----------------|--------|
| 1 | 88443 | OASE Control Adaptor [INT] | 47019 | Gasket OC blue | 1 |

| Item no. | Product |
|----------|-------------|
| 57480 | Skimmer 250 |



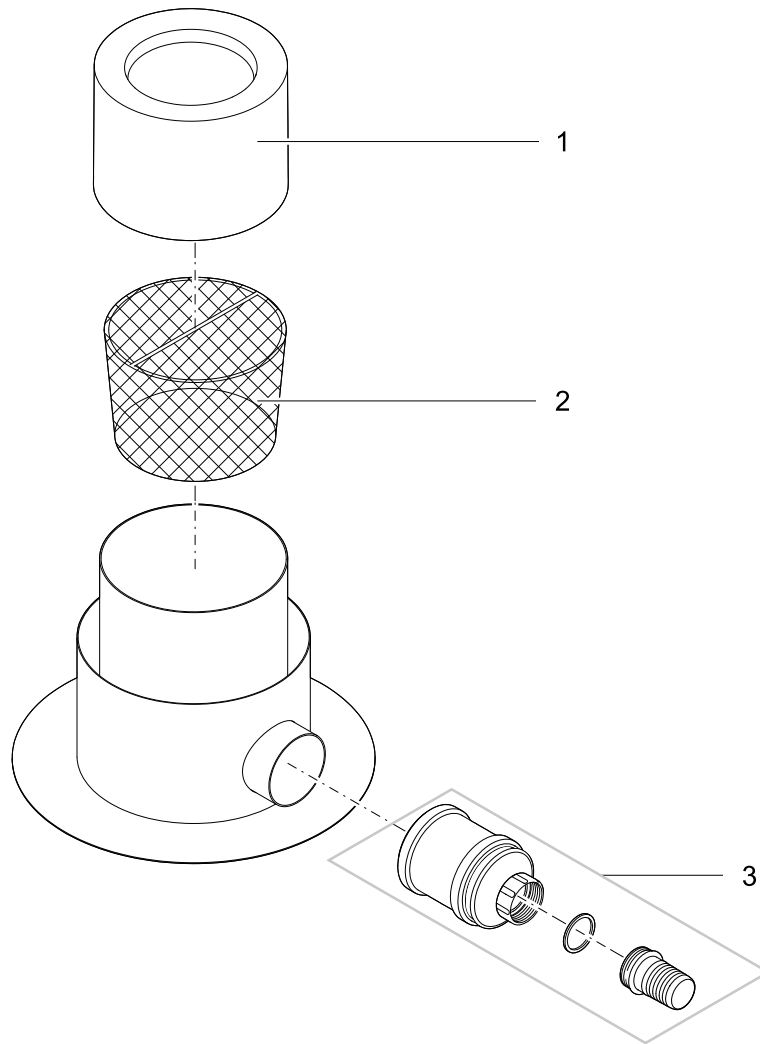
| Pos. | Item no. Product | Product | Item no. Spare part | Spare part | Number |
|------|------------------|-------------------|---------------------|--|--------|
| 1 | 57480 | Skimmer 250 [INT] | 22329 | Spare float flap Skimmer 250 | 1 |
| 2 | 57480 | Skimmer 250 [INT] | 33752 | Basket Skimmer 250 | 1 |
| 3 | 57480 | Skimmer 250 [INT] | 34201 | Pressure piece Skimmer | 1 |
| 4 | 57480 | Skimmer 250 [INT] | 34705 | ASM gate valve | 1 |
| 5 | 57480 | Skimmer 250 [INT] | 10060 | Double bush IG 1 1/2" | 1 |
| 6 | 57480 | Skimmer 250 [INT] | 34812 | Clamp clip motor housing plastic | 1 |
| 7 | 57480 | Skimmer 250 [INT] | 24554 | Clothing cap 1 1/2" FiltoClear/Skimmer | 1 |
| 8 | 57480 | Skimmer 250 [INT] | 85644 | Spare ASM AquaMax 15000 | 1 |
| 9 | 57480 | Skimmer 250 [INT] | 19506 | Flat gasket NBR 60 x 47 x 3 SH40 | 1 |
| 10 | 57480 | Skimmer 250 [INT] | 34200 | Pump connection Skimmer | 1 |
| 12 | 57480 | Skimmer 250 [INT] | 21490 | Concrete slab 300 x 150 x 45 mm | 1 |
| 13 | 57480 | Skimmer 250 [INT] | 29785 | Float for Skimmer | 2 |
| 14 | 57480 | Skimmer 250 [INT] | 27643 | ASM grommet cpl. | 1 |
| 17 | 57480 | Skimmer 250 [INT] | 33348 | Nut G 1 1/2 | 1 |
| 19 | 57480 | Skimmer 250 [INT] | 57154 | Tradux | 1 |
| 20 | 57480 | Skimmer 250 [INT] | 30119 | Wire robe stainless steel 3 mm x 20 m | 1 |
| 21 | 57480 | Skimmer 250 [INT] | 30117 | Stainless steel screw clamp 3 mm | 1 |
| 22 | 57480 | Skimmer 250 [INT] | 16941 | Stainless steel carabiner 60 x 6 | 1 |
| 23 | 57480 | Skimmer 250 [INT] | 30128 | Fastener 450 | 2 |
| 25 | 57480 | Skimmer 250 [INT] | 90485 | Spare float flap 120 mm Skimmer 250 | 1 |

| Item no. | Product |
|----------|---------------|
| 57134 | ProfiSkim 100 |



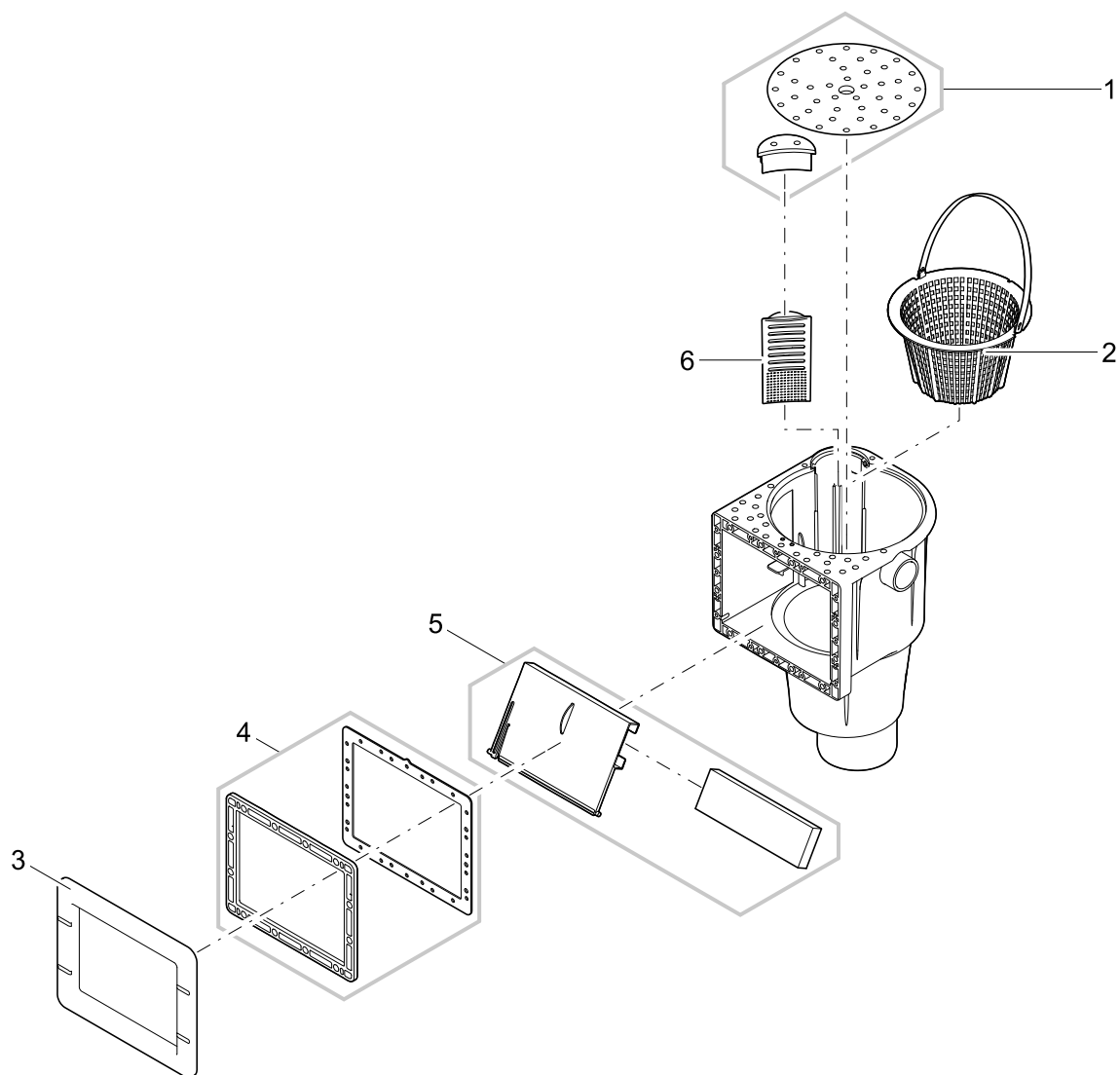
| Pos. | Item no. Product | Product | Item no. Spare part | Spare part | Number |
|------|------------------|---------------------|---------------------|---|--------|
| 1 | 57134 | ProfiSkim 100 [INT] | 28037 | Handle sieve ProfiSkim 100 | 1 |
| 2 | 57134 | ProfiSkim 100 [INT] | 28036 | Stainless steel sieve ProfiSkim 100 | 1 |
| 3 | 57134 | ProfiSkim 100 [INT] | 27844 | Base ProfiSkim 100 | 1 |
| 4 | 57134 | ProfiSkim 100 [INT] | 35657 | Additional pack pipe reduc. 110 mm x 2" | 1 |

| Item no. | Product |
|----------|-------------------|
| 51185 | ProfiSkim Premium |



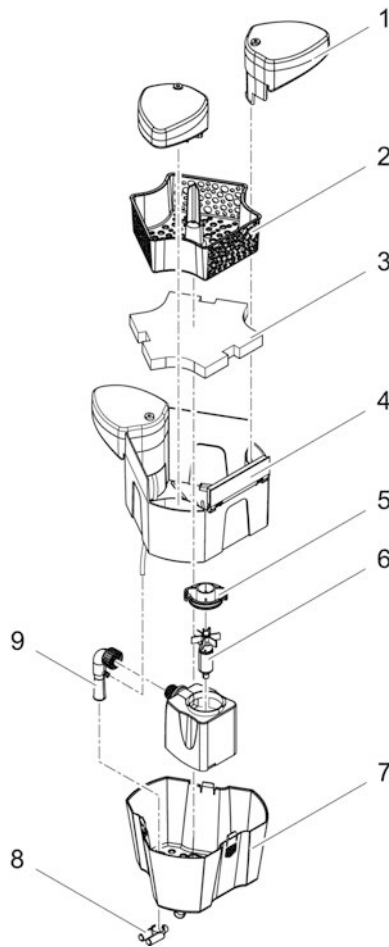
| Pos. | Item no. Product | Product | Item no. Spare part | Spare part | Number |
|------|------------------|-------------------------|---------------------|---|--------|
| 1 | 51185 | ProfiSkim Premium [INT] | 21607 | Float ProfiSkim Premium | 1 |
| 2 | 51185 | ProfiSkim Premium [INT] | 21608 | Basket VA ProfiSkim Premium 8 mm mesh | 1 |
| 3 | 51185 | ProfiSkim Premium [INT] | 35657 | Additional pack pipe reduc. 110 mm x 2" | 1 |

| Item no. | Product |
|----------|--------------------|
| 70895 | ProfiSkim Wall 100 |



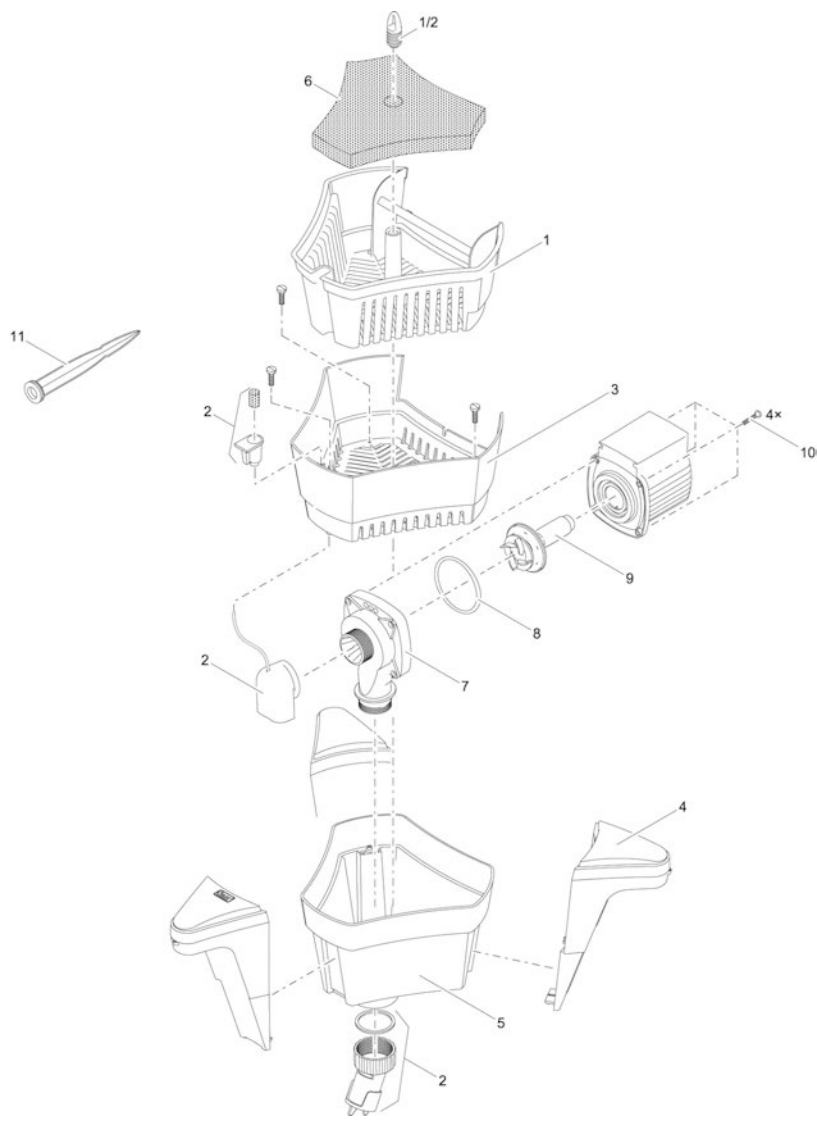
| Pos. | Item no. Product | Product | Item no. Spare part | Spare part | Number |
|------|------------------|--------------------------|---------------------|---|--------|
| 1 | 70895 | ProfiSkim Wall 100 [INT] | 72922 | Spare part lid set ProfiSkim Wall | 1 |
| 2 | 70895 | ProfiSkim Wall 100 [INT] | 72920 | Spare filter set basket ProfiSkim Wall | 1 |
| 3 | 70895 | ProfiSkim Wall 100 [INT] | 72919 | Spare part cover set ProfiSkim Wall | 1 |
| 4 | 70895 | ProfiSkim Wall 100 [INT] | 72923 | Spare part cover holder Set ProfiSkim | 1 |
| 5 | 70895 | ProfiSkim Wall 100 [INT] | 72921 | Spare part flap set ProfiSkim Wall | 1 |
| 6 | 70895 | ProfiSkim Wall 100 [INT] | 77568 | Spare part screw set ProfiSkim Wall 100 | 1 |

| Item no. | Product | |
|----------|-------------|-------------|
| 57384 | SwimSkim 25 | |
| 50124 | GB | SwimSkim 25 |



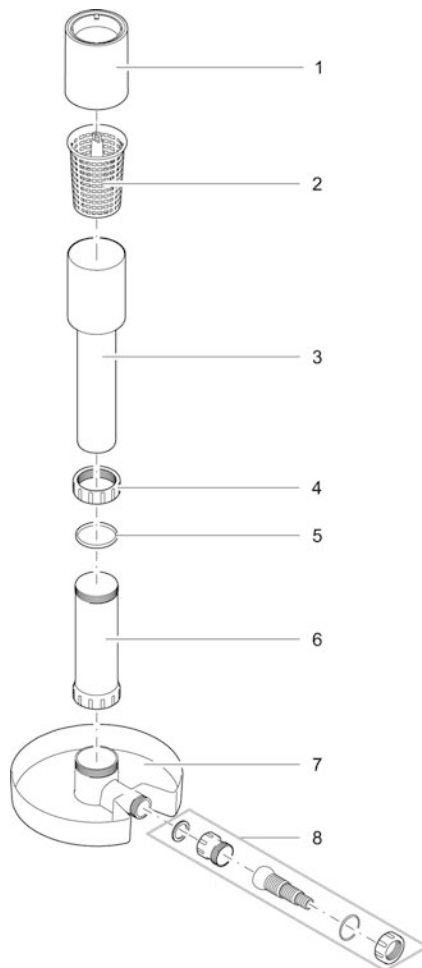
| Pos. | Item no. Product | Product | Item no. Spare part | Spare part | Number |
|------|---------------------|-------------------|------------------------|--------------------------------------|--------|
| 1 | 50124 | SwimSkim 25 [GB] | 29613 | Float cpl. SwimSkim 25 | 1 |
| | 57384 | SwimSkim 25 [INT] | | | |
| 2 | 50124 | SwimSkim 25 [GB] | 10450 | ASM basket SwimSkim 25 with weight | 1 |
| | 57384 | SwimSkim 25 [INT] | | | |
| 3 | 50124 | SwimSkim 25 [GB] | 29445 | Foam SwimSkim 25 | 1 |
| | 57384 | SwimSkim 25 [INT] | | | |
| 4 | 50124 | SwimSkim 25 [GB] | 15656 | Spare part skimmer flap SwimSkim 25 | 1 |
| | 57384 | SwimSkim 25 [INT] | | | |
| 5 | 50124 | SwimSkim 25 [GB] | 35770 | ASM pump housing ASE 2500 | 1 |
| | 57384 | SwimSkim 25 [INT] | | | |
| 6 | 50124 | SwimSkim 25 [GB] | 18013 | Spare rotor cpl. ASE 2500 magnetized | 1 |
| | 57384 | SwimSkim 25 [INT] | | | |
| 7 | 50124 | SwimSkim 25 [GB] | 29179 | Pump chamber SwimSkim 25 | 1 |
| | 57384 | SwimSkim 25 [INT] | | | |
| 8 | 50124 | SwimSkim 25 [GB] | 29458 | Air distributor SwimSkim 25 | 1 |
| | 57384 | SwimSkim 25 [INT] | | | |
| 9 | 50124 | SwimSkim 25 [GB] | 35747 | ASM venturi SwimSkim 25 | 1 |
| | 57384 | SwimSkim 25 [INT] | | | |

| Item no. | Product |
|----------|-------------|
| 50170 | SwimSkim 50 |



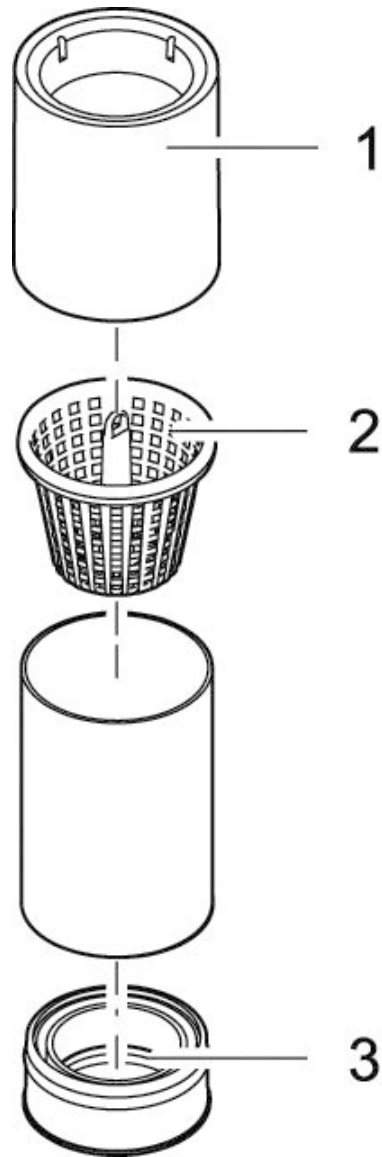
| Pos. | Item no. Product | Product | Item no. Spare part | Spare part | Number |
|------|------------------|-------------------|---------------------|--|--------|
| 1 | 50170 | SwimSkim 50 [INT] | 12497 | ASM basket SwimSkim 50 | 1 |
| 2 | 50170 | SwimSkim 50 [INT] | 12499 | Spare part additional pack SwimSkim 50 | 1 |
| 3 | 50170 | SwimSkim 50 [INT] | 12021 | Filter box SwimSkim CWS | 1 |
| 4 | 50170 | SwimSkim 50 [INT] | 11466 | Float welded SwimSkim CWS | 1 |
| 5 | 50170 | SwimSkim 50 [INT] | 11328 | Pump chamber SwimSkim CWS | 1 |
| 6 | 50170 | SwimSkim 50 [INT] | 12433 | Foam SwimSkim CWS | 1 |
| 7 | 50170 | SwimSkim 50 [INT] | 11825 | Spare pump housing Max 3500-5500 | 1 |
| 8 | 50170 | SwimSkim 50 [INT] | 25969 | O-Ring NBR 60 x 2.5 SH70 A | 1 |
| 9 | 50170 | SwimSkim 50 [INT] | 21912 | Spare rotor AquaMax Eco Classic 3500 | 1 |
| 10 | 50170 | SwimSkim 50 [INT] | 6055 | Oval head screw V2A DIN 7985 M5 x 20 H | 1 |
| 11 | 50170 | SwimSkim 50 [INT] | 20284 | Spike | 1 |

| Item no. | Product |
|----------|-------------|
| 51236 | AquaSkim 20 |
| 56907 | AquaSkim 40 |



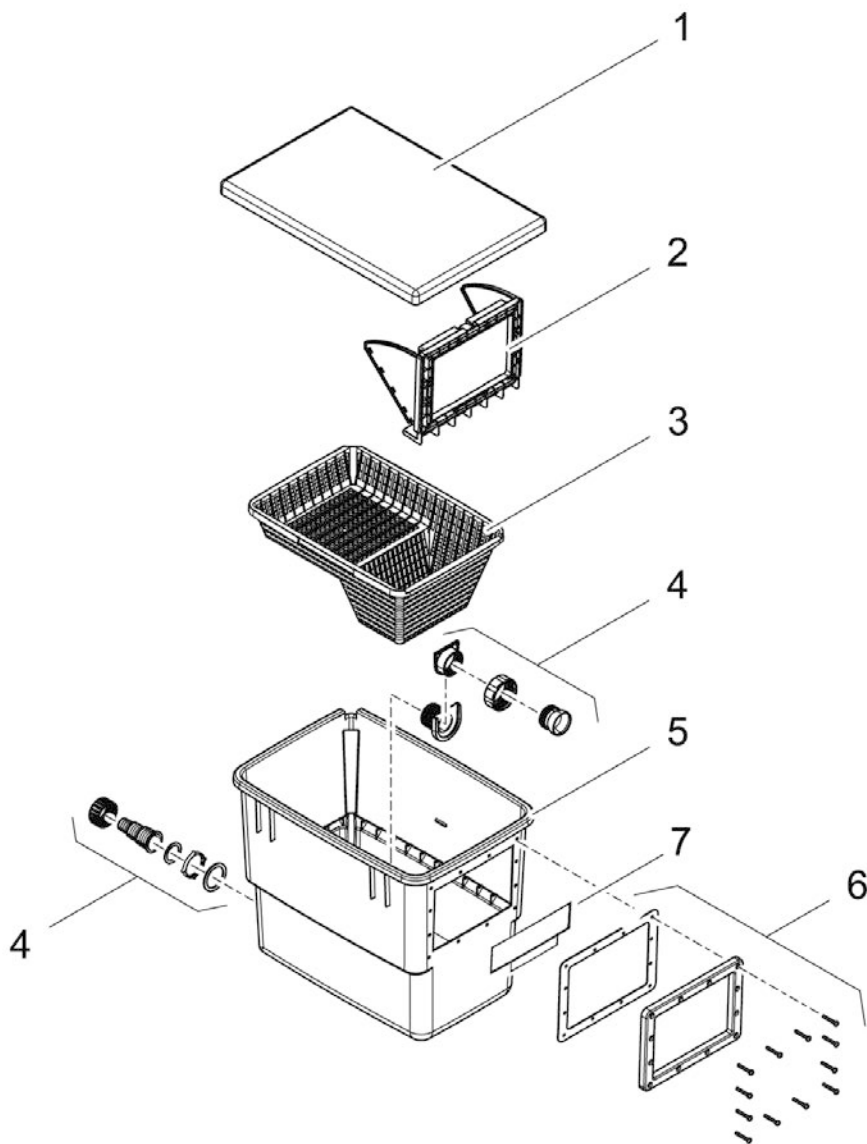
| Pos. | Item no. Product | Product | Item no. Spare part | Spare part | Number |
|------|------------------|-------------------|---------------------|----------------------------------|--------|
| 1 | 51236 | AquaSkim 20 [INT] | 21110 | Float ring AquaSkim 20 | 1 |
| | 56907 | AquaSkim 40 [INT] | 33284 | Float ring AquaSkim 40 | 1 |
| 2 | 51236 | AquaSkim 20 [INT] | 21109 | Filter basket AquaSkim 20 | 1 |
| | 56907 | AquaSkim 40 [INT] | 33285 | Filter basket AquaSkim 40 | 1 |
| 3 | 51236 | AquaSkim 20 [INT] | 21111 | Top AquaSkim 20 | 1 |
| | 56907 | AquaSkim 40 [INT] | 35263 | Top AquaSkim 40 | 1 |
| 4 | 51236 | AquaSkim 20 [INT] | 35264 | Coupling nut 3" | 1 |
| | 56907 | AquaSkim 40 [INT] | | | |
| 5 | 51236 | AquaSkim 20 [INT] | 26737 | Clamp gasket AquaSkim 40 | 1 |
| | 56907 | AquaSkim 40 [INT] | | | |
| 6 | 51236 | AquaSkim 20 [INT] | 35262 | Bottom part AquaSkim 40 | 1 |
| | 56907 | AquaSkim 40 [INT] | | | |
| 7 | 51236 | AquaSkim 20 [INT] | 27027 | Base AquaSkim 40 | 1 |
| | 56907 | AquaSkim 40 [INT] | | | |
| 8 | 51236 | AquaSkim 20 [INT] | 35304 | Additional pack AquaSkim 20 / 40 | 1 |
| | 56907 | AquaSkim 40 [INT] | | | |

| Item no. | Product |
|----------|------------------|
| 51237 | AquaSkim Gravity |



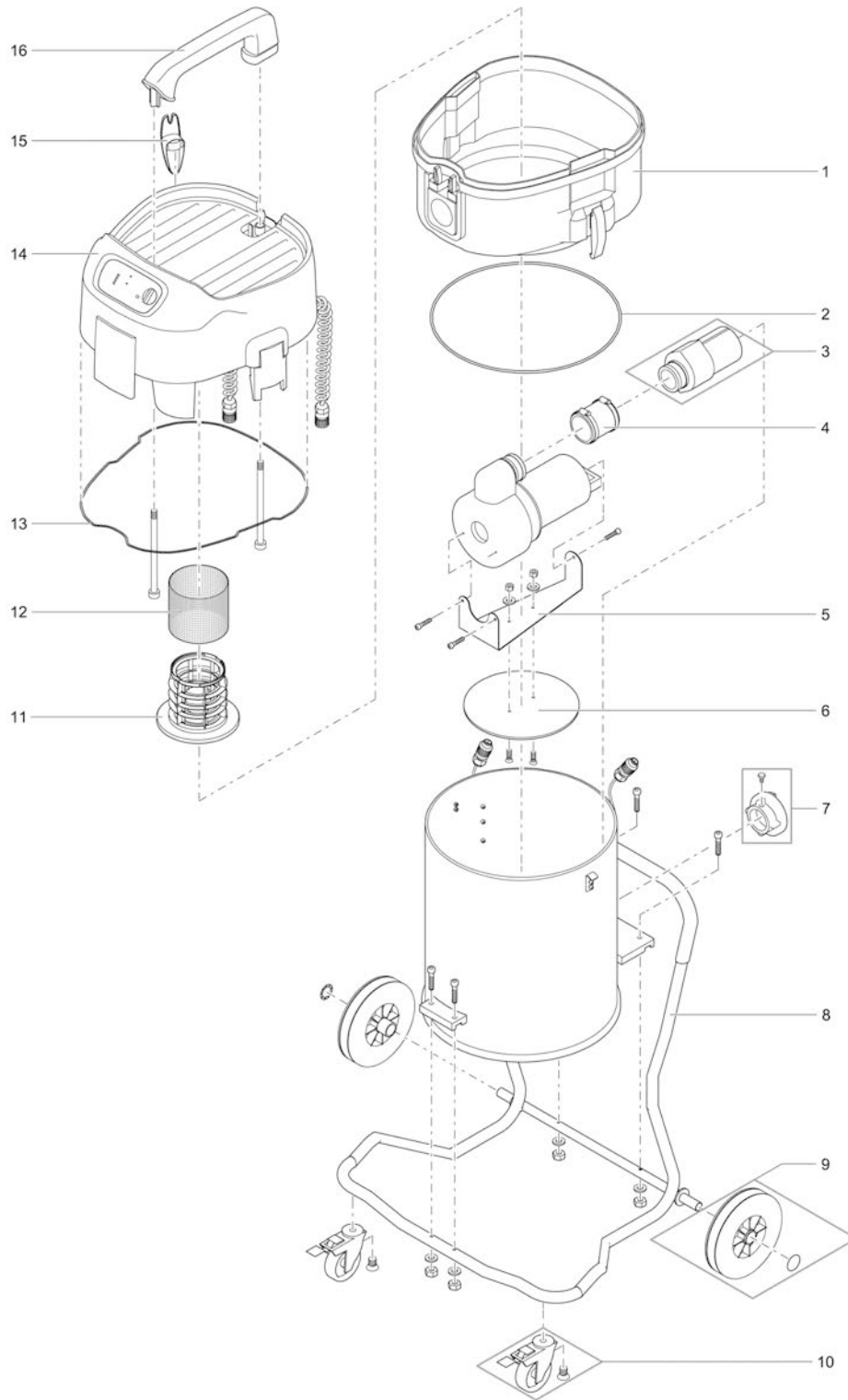
| Pos. | Item no. Product | Product | Item no. Spare part | Spare part | Number |
|------|---------------------|------------------------|------------------------|--------------------------------|--------|
| 1 | 51237 | AquaSkim Gravity [INT] | 33284 | Float ring AquaSkim 40 | 1 |
| 2 | 51237 | AquaSkim Gravity [INT] | 33285 | Filter basket AquaSkim 40 | 1 |
| 3 | 51237 | AquaSkim Gravity [INT] | 20938 | Reducing piece DN 160 / 110 mm | 1 |

| Item no. | Product |
|----------|------------------|
| 57137 | BioSys Skimmer + |



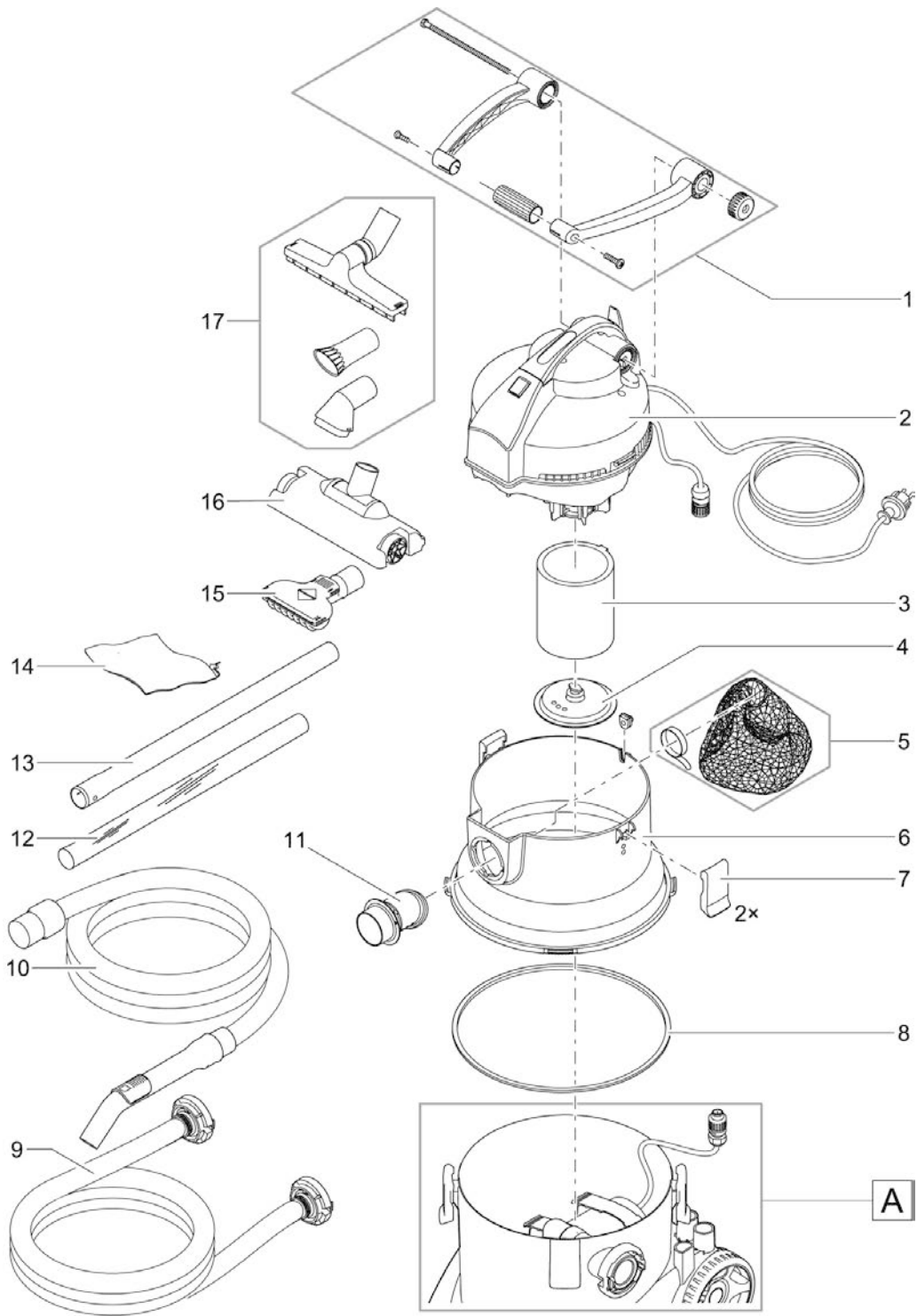
| Pos. | Item no. Product | Product | Item no. Spare part | Spare part | Number |
|------|------------------|------------------------|---------------------|--|--------|
| 1 | 57137 | BioSys Skimmer + [INT] | 18372 | Decoration lid BioSys Skimmer granite | 1 |
| 2 | 57137 | BioSys Skimmer + [INT] | 28353 | ASM flap Skimmer | 1 |
| 3 | 57137 | BioSys Skimmer + [INT] | 18240 | Debris coll. basket BioSys Skim. 2" 2012 | 1 |
| 4 | 57137 | BioSys Skimmer + [INT] | 35505 | Pump connection BioSys Skimmer + | 1 |
| 5 | 57137 | BioSys Skimmer + [INT] | 23791 | Filter box BioSys Skimmer printed | 1 |
| 6 | 57137 | BioSys Skimmer + [INT] | 28613 | ASM outer frame | 1 |
| 7 | 57137 | BioSys Skimmer + [INT] | 10454 | Gasket BioSys Skimmer | 1 |

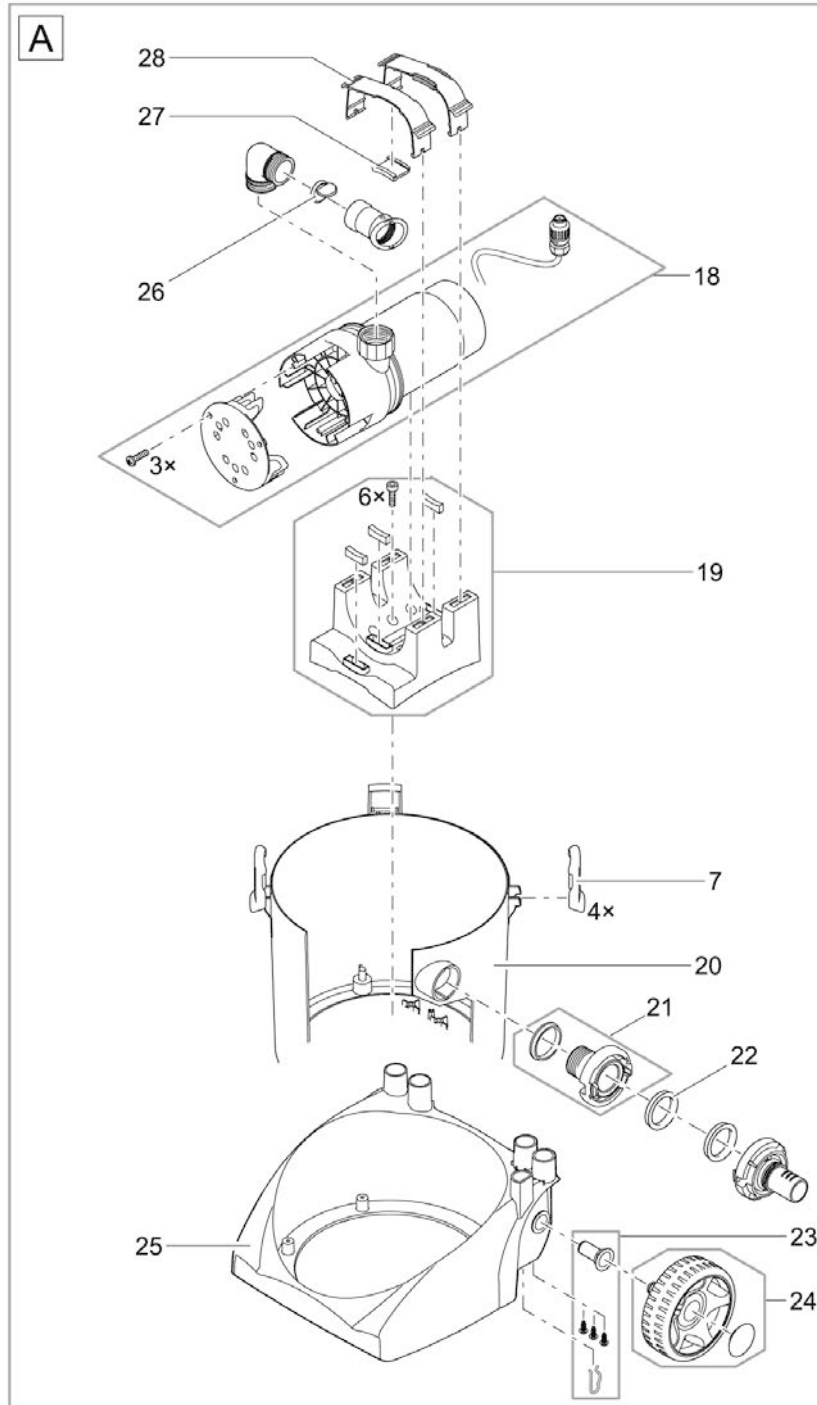
| Item no. | Product |
|----------|---------------------|
| 40256 | PondoVac Premium |
| 41388 | GB PondoVac Premium |



| Pos. | Item no. Product | Product | Item no. Spare part | Spare part | Number |
|------|---------------------|------------------------|------------------------|---------------------------------------|--------|
| 1 | 40256 | PondoVac Premium [INT] | 41417 | Spacer ring | 1 |
| | 41388 | PondoVac Premium [GB] | | | |
| 2 | 40256 | PondoVac Premium [INT] | 41419 | Sealing spacer ring - tank | 1 |
| | 41388 | PondoVac Premium [GB] | | | |
| 3 | 40256 | PondoVac Premium [INT] | 41422 | Check valve for pressure pipe | 1 |
| | 41388 | PondoVac Premium [GB] | | | |
| 4 | 40256 | PondoVac Premium [INT] | 41421 | Elastic connector with clip collar | 1 |
| | 41388 | PondoVac Premium [GB] | | | |
| 5 | 40256 | PondoVac Premium [INT] | 41425 | Holder draining pump PondoVac Premium | 1 |
| | 41388 | PondoVac Premium [GB] | | | |
| 6 | 40256 | PondoVac Premium [INT] | 41426 | PE plate for holder | 1 |
| | 41388 | PondoVac Premium [GB] | | | |
| 7 | 40256 | PondoVac Premium [INT] | 41428 | C-coupler 2" female thread AL | 1 |
| | 41388 | PondoVac Premium [GB] | | | |
| 8 | 40256 | PondoVac Premium [INT] | 41429 | Underbody PondoVac Premium | 1 |
| | 41388 | PondoVac Premium [GB] | | | |
| 9 | 40256 | PondoVac Premium [INT] | 41430 | Solid rubber wheel | 1 |
| | 41388 | PondoVac Premium [GB] | | | |
| 10 | 40256 | PondoVac Premium [INT] | 41431 | Guide roll with locking device | 1 |
| | 41388 | PondoVac Premium [GB] | | | |
| 11 | 40256 | PondoVac Premium [INT] | 41415 | Strainer basket | 1 |
| | 41388 | PondoVac Premium [GB] | | | |
| 12 | 40256 | PondoVac Premium [INT] | 41414 | Strainer stainless steel | 1 |
| | 41388 | PondoVac Premium [GB] | | | |
| 13 | 40256 | PondoVac Premium [INT] | 41413 | Sealing motorhead-spacer ring | 1 |
| | 41388 | PondoVac Premium [GB] | | | |
| 14 | 40256 | PondoVac Premium [INT] | 41409 | Motorhead PondoVac Premium | 1 |
| | 41388 | PondoVac Premium [GB] | | | |
| 15 | 40256 | PondoVac Premium [INT] | 41412 | Cable holder 145 x 57 x 45 | 1 |
| | 41388 | PondoVac Premium [GB] | | | |
| 16 | 40256 | PondoVac Premium [INT] | 41411 | Handle for top cover | 1 |
| | 41388 | PondoVac Premium [GB] | | | |

| Item no. | Product |
|----------|---------------|
| 41982 | PondoVac 5 |
| 41983 | GB PondoVac 5 |

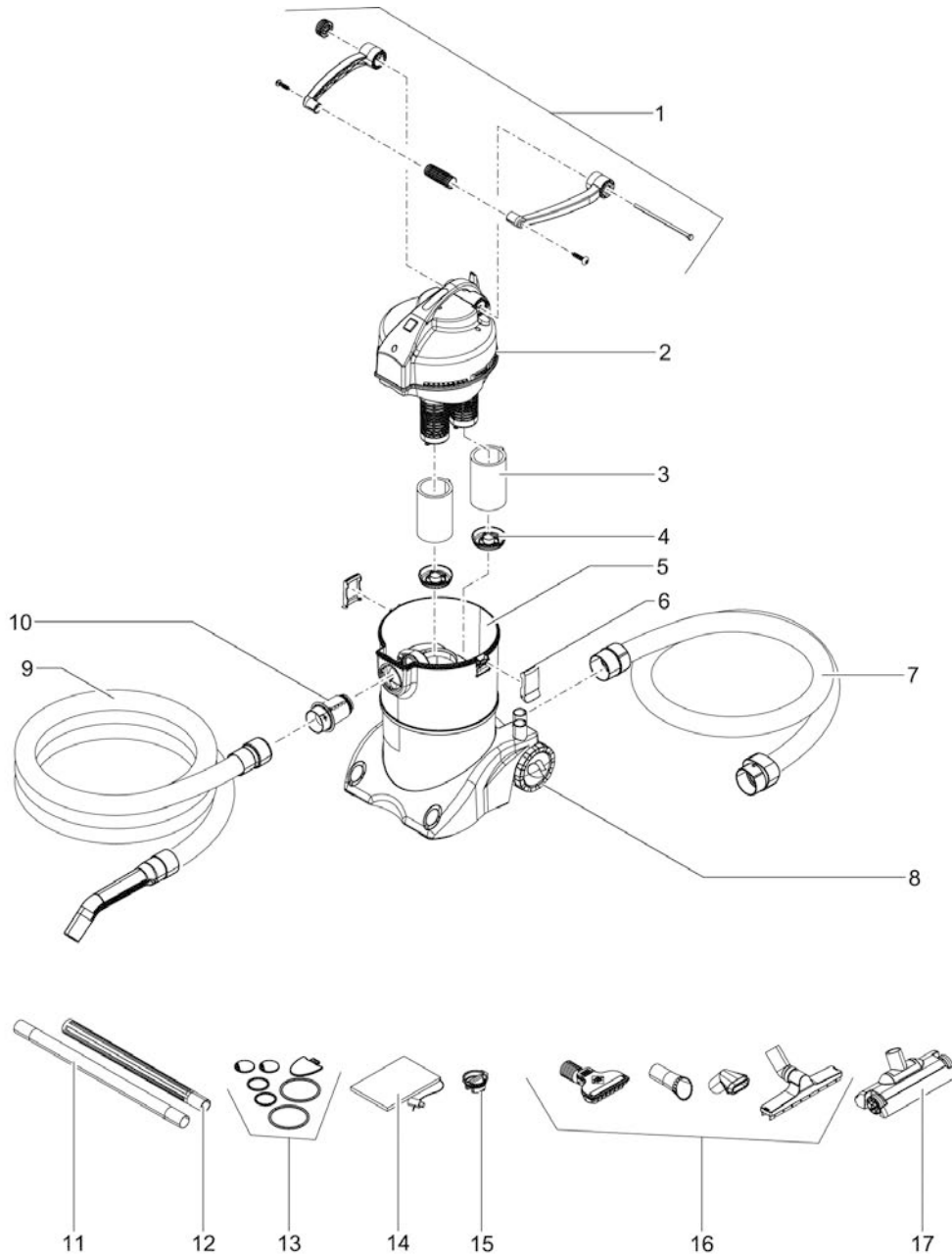




| Pos. | Item no. Product | Product | Item no. Spare part | Spare part | Number |
|------|---------------------|------------------|------------------------|--|--------|
| 1 | 41982 | PondoVac 5 [INT] | 44024 | Spare ASM adjustable handle PondoV.3/4/5 | 1 |
| | 41983 | PondoVac 5 [GB] | | | |
| 2 | 41982 | PondoVac 5 [INT] | 44014 | Spare part motor head PondoVac 5 | 1 |
| | 41983 | PondoVac 5 [GB] | 89593 | Spare part motor head PondoVac 5 | 1 |
| 3 | 41982 | PondoVac 5 [INT] | 44004 | Spare filter foam PondoVac Classic / 5 | 1 |
| | 41983 | PondoVac 5 [GB] | | | |
| 4 | 41982 | PondoVac 5 [INT] | 44001 | Spare engage plate PondoVac Classic / 5 | 1 |
| | 41983 | PondoVac 5 [GB] | | | |
| 5 | 41982 | PondoVac 5 [INT] | 44020 | Spare part debris bag with strap | 1 |
| | 41983 | PondoVac 5 [GB] | | | |
| 6 | 41982 | PondoVac 5 [INT] | 44011 | Spare part tank top PondoVac 5 | 1 |
| | 41983 | PondoVac 5 [GB] | | | |
| 7 | 41982 | PondoVac 5 [INT] | 44026 | Spare part clamp PondoVac 3 / 4 / 5 | 1 |
| | 41983 | PondoVac 5 [GB] | | | |
| 8 | 41982 | PondoVac 5 [INT] | 44018 | Spare part tank sealing PondoVac 5 | 1 |
| | 41983 | PondoVac 5 [GB] | | | |
| 9 | 41982 | PondoVac 5 [INT] | 43487 | Extension hose PondoVac 5 | 1 |
| | 41983 | PondoVac 5 [GB] | | | |
| 10 | 41982 | PondoVac 5 [INT] | 44029 | Spare part intake hose PondoVac 3/4/5 | 1 |
| | 41983 | PondoVac 5 [GB] | | | |
| 11 | 41982 | PondoVac 5 [INT] | 44013 | Spare part intake PondoVac 5 | 1 |
| | 41983 | PondoVac 5 [GB] | | | |
| 12 | 41982 | PondoVac 5 [INT] | 44003 | Spare suction pipe PondoVac transparent | 1 |
| | 41983 | PondoVac 5 [GB] | | | |
| 13 | 41982 | PondoVac 5 [INT] | 44028 | Spare suction pipe aluminium PondoVac | 1 |
| | 41983 | PondoVac 5 [GB] | | | |
| 14 | 41982 | PondoVac 5 [INT] | 44005 | Spare part debris bag PondoVac 3/4 | 1 |
| | 41983 | PondoVac 5 [GB] | | | |
| 15 | 41982 | PondoVac 5 [INT] | 44027 | Spare universal nozzle PondoVac 125 mm | 1 |
| | 41983 | PondoVac 5 [GB] | | | |
| 16 | 41982 | PondoVac 5 [INT] | 44025 | Spare part surface brush PondoVac | 1 |
| | 41983 | PondoVac 5 [GB] | | | |
| 17 | 41982 | PondoVac 5 [INT] | 44030 | Spare part nozzle set PondoVac | 1 |
| | 41983 | PondoVac 5 [GB] | | | |
| 18 | 41982 | PondoVac 5 [INT] | 44021 | Spare part pump PondoVac 5 | 1 |
| | 41983 | PondoVac 5 [GB] | 44831 | ASM pump PondoVac 5 | 1 |
| 19 | 41982 | PondoVac 5 [INT] | 44015 | Spare part pump holder PondoVac 5 | 1 |
| | 41983 | PondoVac 5 [GB] | | | |
| 20 | 41982 | PondoVac 5 [INT] | 44012 | Spare part tank bottom PondoVac 5 | 1 |
| | 41983 | PondoVac 5 [GB] | | | |
| 21 | 41982 | PondoVac 5 [INT] | 44016 | Spare part c-cuppler PondoVac 5 | 1 |
| | 41983 | PondoVac 5 [GB] | | | |
| 22 | 41982 | PondoVac 5 [INT] | 44168 | Spare part gasket C-coupler PondoVac 5 | 1 |
| | 41983 | PondoVac 5 [GB] | | | |

| Pos. | Item no. Product | Product | Item no. Spare part | Spare part | Number |
|------|---------------------|------------------|------------------------|------------------------------------|--------|
| 23 | 41982 | PondoVac 5 [INT] | 44023 | Spare part wheel sleeve PondoVac 5 | 1 |
| | 41983 | PondoVac 5 [GB] | | | |
| 24 | 41982 | PondoVac 5 [INT] | 44022 | Spare part wheel PondoVac 5 | 1 |
| | 41983 | PondoVac 5 [GB] | | | |
| 25 | 41982 | PondoVac 5 [INT] | 44019 | Spare part base PondoVac 5 | 1 |
| | 41983 | PondoVac 5 [GB] | | | |
| 26 | 41982 | PondoVac 5 [INT] | 44017 | Spare part check valve PondoVac 5 | 1 |
| | 41983 | PondoVac 5 [GB] | | | |
| 27 | 41982 | PondoVac 5 [INT] | 17232 | Rubber part AquaMax Pro | 1 |
| | 41983 | PondoVac 5 [GB] | | | |
| 28 | 41982 | PondoVac 5 [INT] | 16978 | Clamp EC1 | 1 |
| | 41983 | PondoVac 5 [GB] | | | |

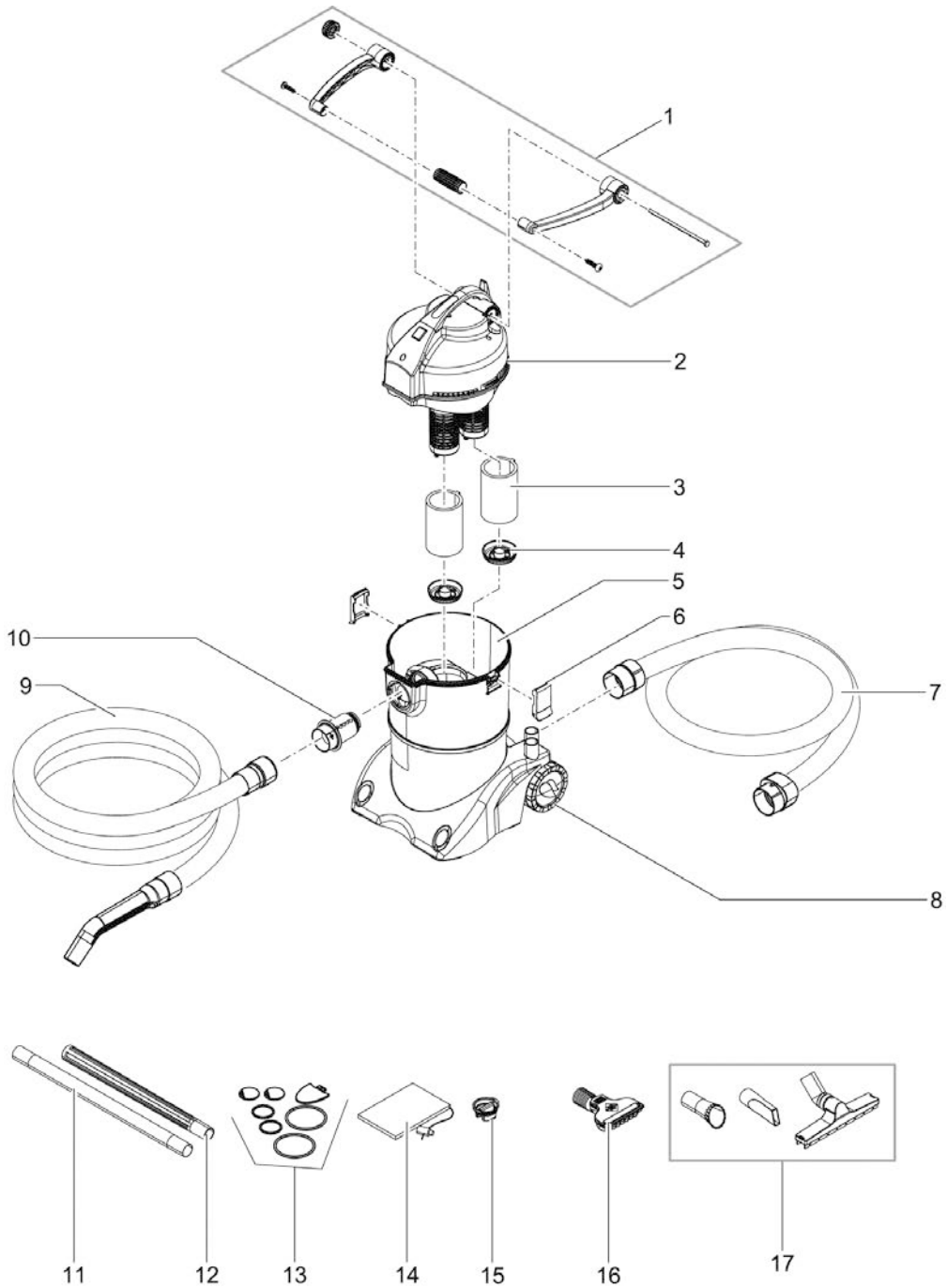
| Item no. | Product |
|----------|---------------|
| 50388 | PondoVac 4 |
| 42939 | GB PondoVac 4 |
| 50391 | GB PondoVac 4 |



| Pos. | Item no. Product | Product | Item no. Spare part | Spare part | Number |
|------|---------------------|------------------|------------------------|--|--------|
| 1 | 42939 | PondoVac 4 [GB] | | | |
| | 50388 | PondoVac 4 [INT] | 44024 | Spare ASM adjustable handle PondoV.3/4/5 | 1 |
| | 50391 | PondoVac 4 [GB] | | | |
| 2 | 42939 | PondoVac 4 [GB] | 89592 | Spare part motor head PondoVac 4 | 1 |
| | 50388 | PondoVac 4 [INT] | 43991 | Spare part motor head PondoVac 4 | 1 |
| | 50391 | PondoVac 4 [GB] | 89592 | Spare part motor head PondoVac 4 | 1 |
| 3 | 42939 | PondoVac 4 [GB] | | | |
| | 50388 | PondoVac 4 [INT] | 43996 | Spare part filter foam PondoVac 3/4 | 1 |
| | 50391 | PondoVac 4 [GB] | | | |
| 4 | 42939 | PondoVac 4 [GB] | | | |
| | 50388 | PondoVac 4 [INT] | 43999 | Spare part engage plate PondoVac 3/4 | 1 |
| | 50391 | PondoVac 4 [GB] | | | |
| 5 | 42939 | PondoVac 4 [GB] | | | |
| | 50388 | PondoVac 4 [INT] | 13912 | Spare part tank cpl. PondoVac 3/4 | 1 |
| | 50391 | PondoVac 4 [GB] | | | |
| 6 | 42939 | PondoVac 4 [GB] | | | |
| | 50388 | PondoVac 4 [INT] | 44026 | Spare part clamp PondoVac 3 / 4 / 5 | 1 |
| | 50391 | PondoVac 4 [GB] | | | |
| 7 | 42939 | PondoVac 4 [GB] | | | |
| | 50388 | PondoVac 4 [INT] | 43992 | Spare part outlet hose PondoVac 3/4 | 1 |
| | 50391 | PondoVac 4 [GB] | | | |
| 8 | 42939 | PondoVac 4 [GB] | | | |
| | 50388 | PondoVac 4 [INT] | 13910 | Spare wheel set PondoVac 4 | 1 |
| | 50391 | PondoVac 4 [GB] | | | |
| 9 | 42939 | PondoVac 4 [GB] | | | |
| | 50388 | PondoVac 4 [INT] | 44029 | Spare part intake hose PondoVac 3/4/5 | 1 |
| | 50391 | PondoVac 4 [GB] | | | |
| 10 | 42939 | PondoVac 4 [GB] | | | |
| | 50388 | PondoVac 4 [INT] | 43990 | Spare inlet distributer PondoVac 3/4 | 1 |
| | 50391 | PondoVac 4 [GB] | | | |
| 11 | 42939 | PondoVac 4 [GB] | | | |
| | 50388 | PondoVac 4 [INT] | 44003 | Spare suction pipe PondoVac transparent | 1 |
| | 50391 | PondoVac 4 [GB] | | | |
| 12 | 42939 | PondoVac 4 [GB] | | | 1 |
| | 50388 | PondoVac 4 [INT] | 44028 | Spare suction pipe aluminium PondoVac | 4 |
| | 50391 | PondoVac 4 [GB] | 44000 | Spare part suction pipe PondoVac black | 1 |
| 13 | 42939 | PondoVac 4 [GB] | | | |
| | 50388 | PondoVac 4 [INT] | 35398 | Spare set rubber parts | 1 |
| | 50391 | PondoVac 4 [GB] | | | |

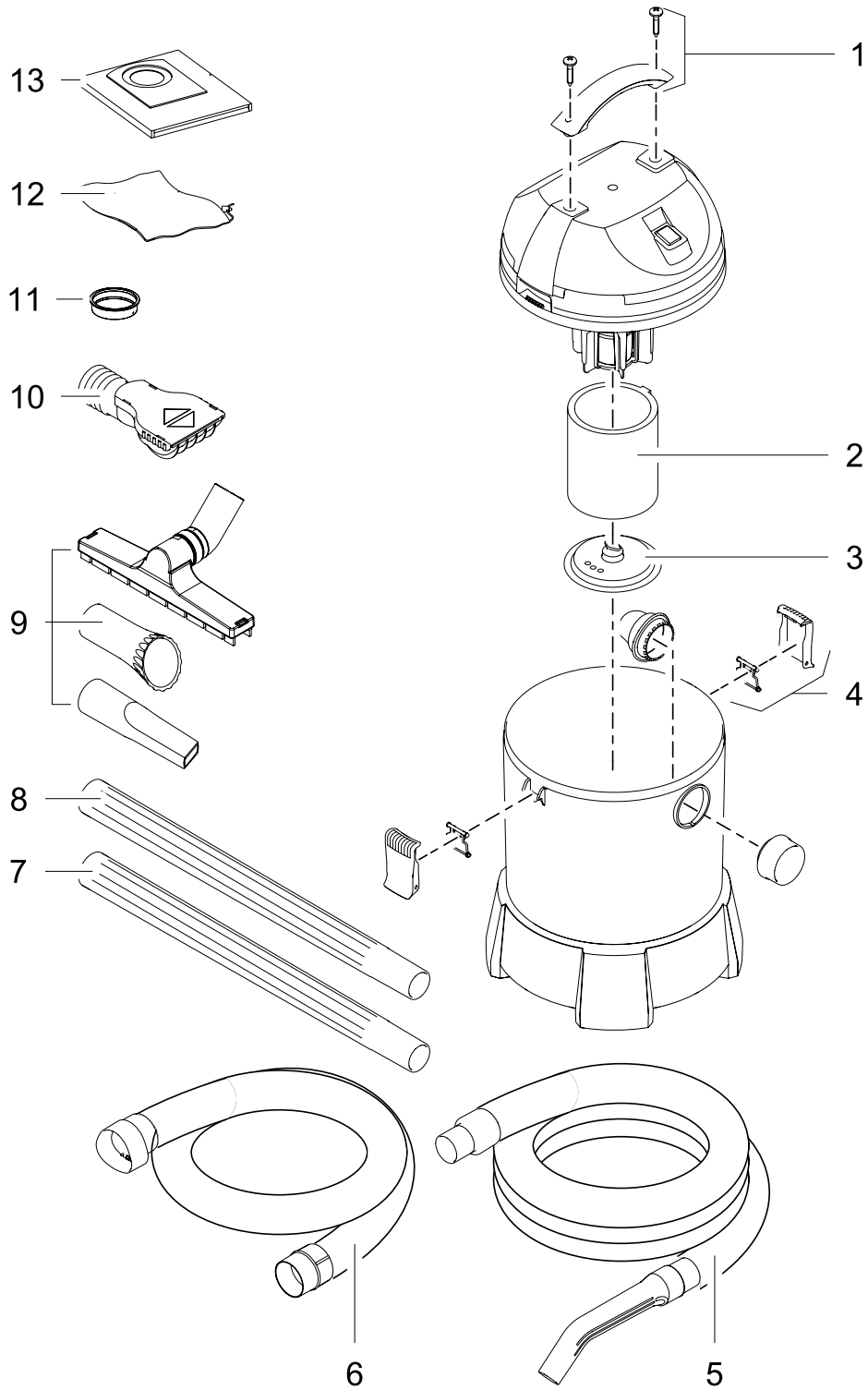
| Pos. | Item no. Product | Product | Item no. Spare part | Spare part | Number |
|------|---------------------|------------------|------------------------|------------------------------------|--------|
| | 42939 | PondoVac 4 [GB] | | | |
| 14 | 50388 | PondoVac 4 [INT] | 44005 | Spare part debris bag PondoVac 3/4 | 1 |
| | 50391 | PondoVac 4 [GB] | | | |
| | 42939 | PondoVac 4 [GB] | | | |
| 15 | 50388 | PondoVac 4 [INT] | 44002 | Spare part plug PondoVac 3/4 | 1 |
| | 50391 | PondoVac 4 [GB] | | | |
| | 42939 | PondoVac 4 [GB] | | | |
| 16 | 50388 | PondoVac 4 [INT] | 13909 | Spare nozzle set PondoVac 4 | 1 |
| | 50391 | PondoVac 4 [GB] | | | |
| | 42939 | PondoVac 4 [GB] | | | |
| 17 | 50388 | PondoVac 4 [INT] | 44025 | Spare part surface brush PondoVac | 1 |
| | 50391 | PondoVac 4 [GB] | | | |

| Item no. | Product |
|----------|---------------|
| 37102 | PondoVac 3 |
| 37148 | GB PondoVac 3 |



| Pos. | Item no. Product | Product | Item no. Spare part | Spare part | Number |
|------|---------------------|------------------|------------------------|--|--------|
| 1 | 37102 | PondoVac 3 [INT] | 44024 | Spare ASM adjustable handle PondoV.3/4/5 | 1 |
| | 37148 | PondoVac 3 [GB] | | | |
| 2 | 37102 | PondoVac 3 [INT] | 43998 | Spare part motor head PondoVac 3 | 1 |
| | 37148 | PondoVac 3 [GB] | 89591 | Spare part motor head PondoVac 3 | 1 |
| 3 | 37102 | PondoVac 3 [INT] | 43996 | Spare part filter foam PondoVac 3/4 | 2 |
| | 37148 | PondoVac 3 [GB] | | | 1 |
| 4 | 37102 | PondoVac 3 [INT] | 43999 | Spare part engage plate PondoVac 3/4 | 2 |
| | 37148 | PondoVac 3 [GB] | | | 1 |
| 5 | 37102 | PondoVac 3 [INT] | 13912 | Spare part tank cpl. PondoVac 3/4 | 1 |
| | 37148 | PondoVac 3 [GB] | | | |
| 6 | 37102 | PondoVac 3 [INT] | 44026 | Spare part clamp PondoVac 3 / 4 / 5 | 1 |
| | 37148 | PondoVac 3 [GB] | | | |
| 7 | 37102 | PondoVac 3 [INT] | 43992 | Spare part outlet hose PondoVac 3/4 | 1 |
| | 37148 | PondoVac 3 [GB] | | | |
| 8 | 37102 | PondoVac 3 [INT] | 26876 | Wheel PondoVac 3 | 2 |
| | 37148 | PondoVac 3 [GB] | | | |
| 9 | 37102 | PondoVac 3 [INT] | 44029 | Spare part intake hose PondoVac 3/4/5 | 1 |
| | 37148 | PondoVac 3 [GB] | | | |
| 10 | 37102 | PondoVac 3 [INT] | 27248 | ASM inlet distributor black | 1 |
| | 37148 | PondoVac 3 [GB] | | | |
| 11 | 37102 | PondoVac 3 [INT] | 44003 | Spare suction pipe PondoVac transparent | 1 |
| | 37148 | PondoVac 3 [GB] | | | |
| 12 | 37102 | PondoVac 3 [INT] | 44000 | Spare part suction pipe PondoVac black | 4 |
| | 37148 | PondoVac 3 [GB] | | | 1 |
| 13 | 37102 | PondoVac 3 [INT] | 35398 | Spare set rubber parts | 1 |
| | 37148 | PondoVac 3 [GB] | | | |
| 14 | 37102 | PondoVac 3 [INT] | 44005 | Spare part debris bag PondoVac 3/4 | 1 |
| | 37148 | PondoVac 3 [GB] | | | |
| 15 | 37102 | PondoVac 3 [INT] | 43994 | Spare part plug PondoVac Classic | 1 |
| | 37148 | PondoVac 3 [GB] | | | |
| 16 | 37102 | PondoVac 3 [INT] | 44010 | Spare universal nozzle PondoVac 90 mm | 1 |
| | 37148 | PondoVac 3 [GB] | | | |
| 17 | 37102 | PondoVac 3 [INT] | 44030 | Spare part nozzle set PondoVac | 1 |
| | 37148 | PondoVac 3 [GB] | | | |

| Item no. | Product |
|----------|---------------------|
| 50529 | PondoVac Classic |
| 50110 | GB PondoVac Classic |



| Pos. | Item no. Product | Product | Item no. Spare part | Spare part | Number |
|------|---------------------|------------------------|------------------------|---|--------|
| 1 | 50110 | PondoVac Classic [GB] | 28062 | Spare part handle Classic | 1 |
| | 50529 | PondoVac Classic [INT] | | | |
| 2 | 50110 | PondoVac Classic [GB] | 44004 | Spare filter foam PondoVac Classic / 5 | 1 |
| | 50529 | PondoVac Classic [INT] | | | |
| 3 | 50110 | PondoVac Classic [GB] | 44001 | Spare engage plate PondoVac Classic / 5 | 1 |
| | 50529 | PondoVac Classic [INT] | | | |
| 4 | 50110 | PondoVac Classic [GB] | 43993 | Spare part clamp PondoVac Classic | 1 |
| | 50529 | PondoVac Classic [INT] | | | |
| 5 | 50110 | PondoVac Classic [GB] | 44007 | Spare part intake hose PondoVac Classic | 1 |
| | 50529 | PondoVac Classic [INT] | | | |
| 6 | 50110 | PondoVac Classic [GB] | 44008 | Spare part outlet hose PondoVac Classic | 1 |
| | 50529 | PondoVac Classic [INT] | | | |
| 7 | 50110 | PondoVac Classic [GB] | 44000 | Spare part suction pipe PondoVac black | 1 |
| | 50529 | PondoVac Classic [INT] | | | |
| 8 | 50110 | PondoVac Classic [GB] | 44003 | Spare suction pipe PondoVac transparent | 1 |
| | 50529 | PondoVac Classic [INT] | | | |
| 9 | 50110 | PondoVac Classic [GB] | 47013 | Spare part nozzle set Classic | 1 |
| | 50529 | PondoVac Classic [INT] | | | |
| 10 | 50110 | PondoVac Classic [GB] | 44010 | Spare universal nozzle PondoVac 90 mm | 1 |
| | 50529 | PondoVac Classic [INT] | | | |
| 11 | 50110 | PondoVac Classic [GB] | 43994 | Spare part plug PondoVac Classic | 1 |
| | 50529 | PondoVac Classic [INT] | | | |
| 12 | 50110 | PondoVac Classic [GB] | 44009 | Spare part debris bag PondoVac Classic | 1 |
| | 50529 | PondoVac Classic [INT] | | | |
| 13 | 50110 | PondoVac Classic [GB] | 44006 | Spare part filter bag PondoVac Classic | 1 |
| | 50529 | PondoVac Classic [INT] | | | |

| Item no. | Product |
|----------|----------|
| 40291 | EasyPick |



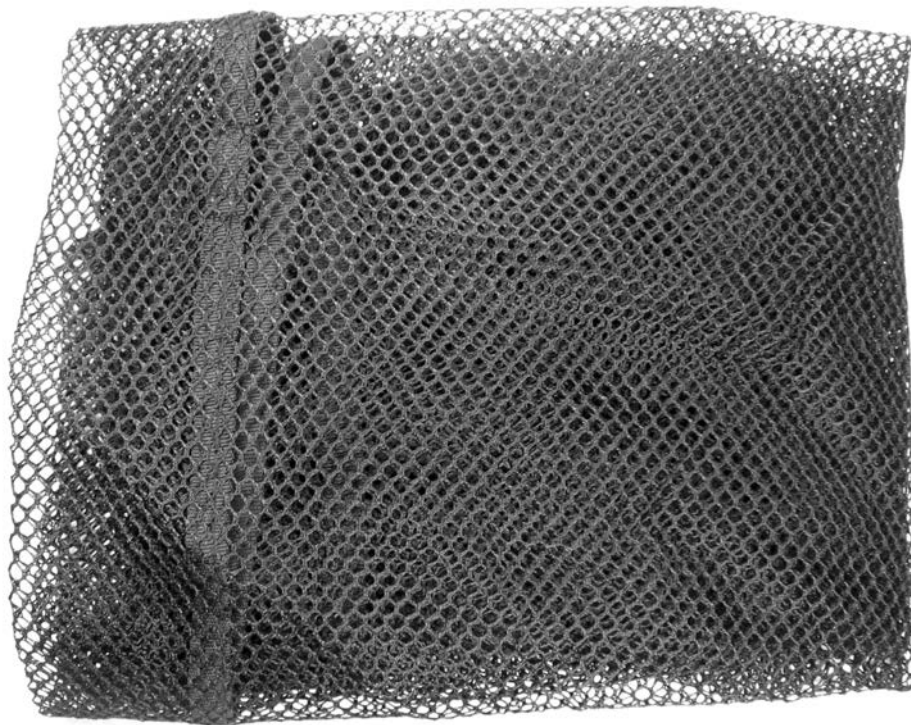
| Pos. | Item no. Product | Product | Item no. Spare part | Spare part | Number |
|------|---------------------|----------------|------------------------|------------------------------------|--------|
| 1 | 40291 | EasyPick [INT] | 40637 | Spare rubbercaps grappler EasyPick | 1 |

| Item no. | Product |
|----------|-----------------|
| 51243 | FlexiCut 2 in 1 |



| Pos. | Item no. Product | Product | Item no. Spare part | Spare part | Number |
|------|------------------|-----------------------|---------------------|------------------------------------|--------|
| 1 | 51243 | FlexiCut 2 in 1 [INT] | 51272 | Spare scissor head FlexiCut 2 in 1 | 1 |

| Item no. | Product |
|----------|----------------|
| 50078 | Profi Pond net |



| Pos. | Item no. Product | Product | Item no. Spare part | Spare part | Number |
|------|---------------------|----------------------|------------------------|--------------------------|--------|
| 1 | 50078 | Profi Pond net [INT] | 50961 | Spare net Profi Pond net | 1 |

| Item no. | Product |
|----------|------------------------------------|
| 50571 | AquaActiv Water analysis Profi-Set |

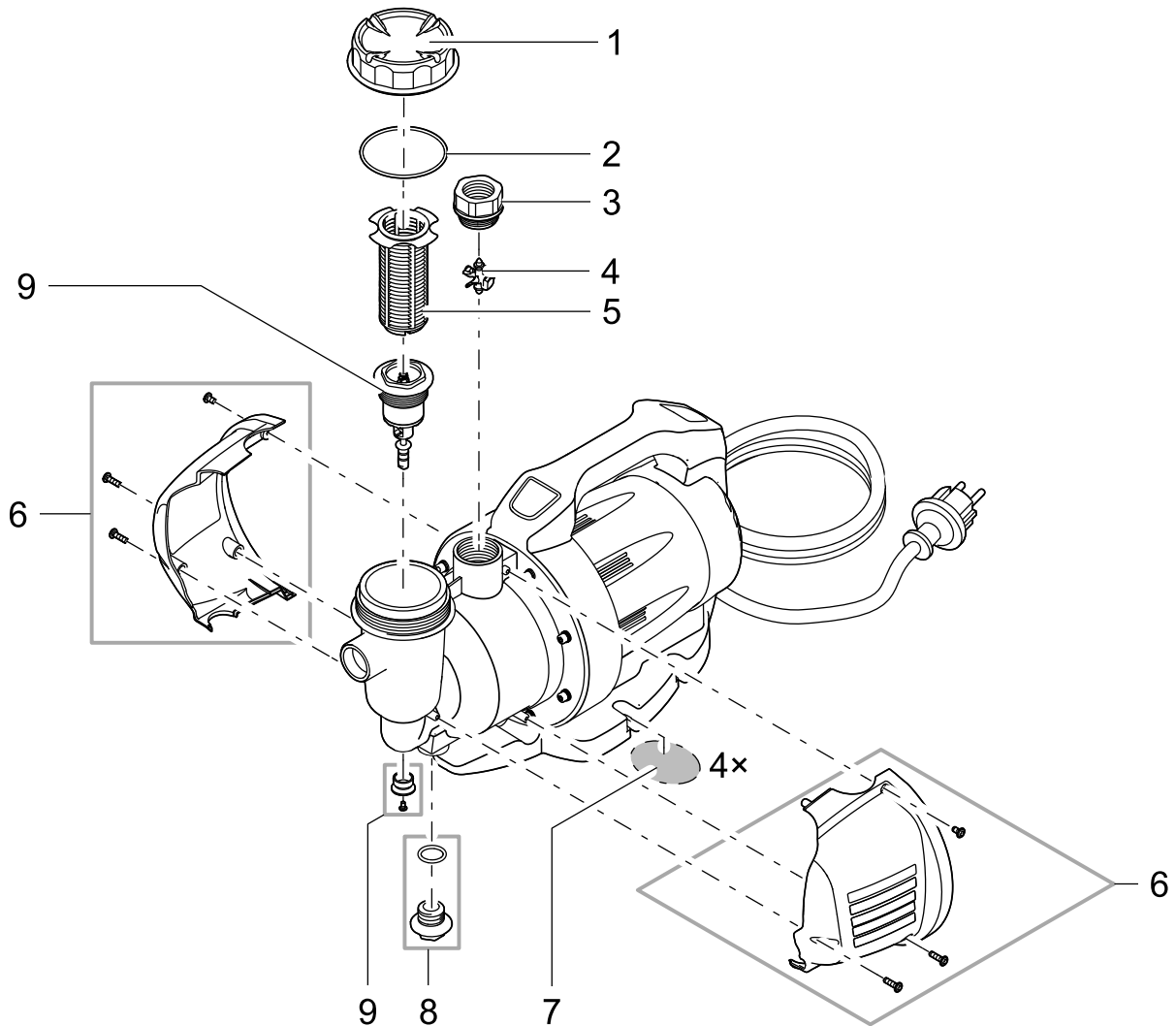


| Pos. | Item no. Product | Product | Item no. Spare part | Spare part | Number |
|------|------------------|--|---------------------|---|--------|
| 1 | 50571 | AquaActiv Water analysis Profi-Set [INT] | 50660 | Refill pack nitrite/nitrate | 1 |
| 2 | 50571 | AquaActiv Water analysis Profi-Set [INT] | 50661 | Refill pack phosphate | 1 |
| 3 | 50571 | AquaActiv Water analysis Profi-Set [INT] | 50662 | Refill pack hardness/carbonate hardness | 1 |
| 4 | 50571 | AquaActiv Water analysis Profi-Set [INT] | 50663 | Refill pack ammonium/ammonia | 1 |
| 5 | 50571 | AquaActiv Water analysis Profi-Set [INT] | 50664 | Refill pack pH-value | 1 |
| 6 | 50571 | AquaActiv Water analysis Profi-Set [INT] | 46895 | Spare colour cards Water Analysis Set | 1 |



Drainage & Irrigation

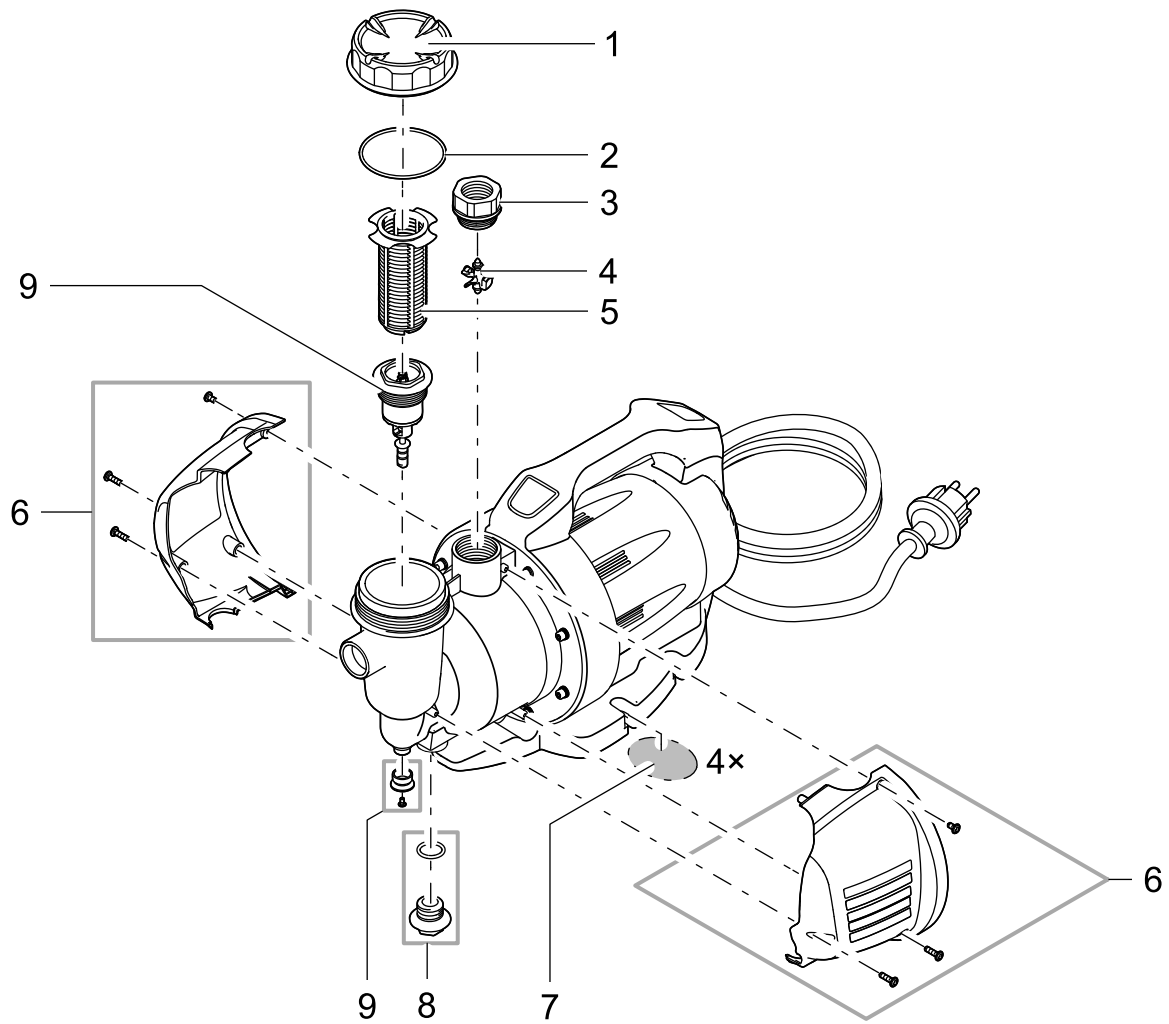
| Item no. | Product |
|----------|-----------------------------------|
| 43125 | ProMax Garden Automatic 3500 |
| 43126 | ProMax Garden Automatic 4000 |
| 43127 | ProMax Garden Automatic 5000 |
| 43128 | ProMax Garden Automatic 6000/5 |
| 43129 | GB ProMax Garden Automatic 3500 |
| 43130 | GB ProMax Garden Automatic 4000 |
| 43131 | GB ProMax Garden Automatic 5000 |
| 43132 | GB ProMax Garden Automatic 6000/5 |



| Pos. | Item no. Product | Product | Item no. Spare part | Spare part | Number |
|------|---------------------|--------------------------------------|------------------------|----------------------------|--------|
| 1 | 43125 | ProMax Garden Automatic 3500 [INT] | 44605 | Filter glass Garden | 1 |
| | 43126 | ProMax Garden Automatic 4000 [INT] | | | |
| | 43127 | ProMax Garden Automatic 5000 [INT] | | | |
| | 43128 | ProMax Garden Automatic 6000/5 [INT] | | | |
| | 43129 | ProMax Garden Automatic 3500 [GB] | | | |
| | 43130 | ProMax Garden Automatic 4000 [GB] | | | |
| | 43131 | ProMax Garden Automatic 5000 [GB] | | | |
| | 43132 | ProMax Garden Automatic 6000/5 [GB] | | | |
| 2 | 43125 | ProMax Garden Automatic 3500 [INT] | 44604 | O-Ring filter glass Garden | 1 |
| | 43126 | ProMax Garden Automatic 4000 [INT] | | | |
| | 43127 | ProMax Garden Automatic 5000 [INT] | | | |
| | 43128 | ProMax Garden Automatic 6000/5 [INT] | | | |
| | 43129 | ProMax Garden Automatic 3500 [GB] | | | |
| | 43130 | ProMax Garden Automatic 4000 [GB] | | | |
| | 43131 | ProMax Garden Automatic 5000 [GB] | | | |
| | 43132 | ProMax Garden Automatic 6000/5 [GB] | | | |
| 3 | 43125 | ProMax Garden Automatic 3500 [INT] | 44608 | Socket 1" Garden | 1 |
| | 43126 | ProMax Garden Automatic 4000 [INT] | | | |
| | 43127 | ProMax Garden Automatic 5000 [INT] | | | |
| | 43128 | ProMax Garden Automatic 6000/5 [INT] | | | |
| | 43129 | ProMax Garden Automatic 3500 [GB] | | | |
| | 43130 | ProMax Garden Automatic 4000 [GB] | | | |
| | 43131 | ProMax Garden Automatic 5000 [GB] | | | |
| | 43132 | ProMax Garden Automatic 6000/5 [GB] | | | |
| 4 | 43125 | ProMax Garden Automatic 3500 [INT] | 44609 | Flow meter Garden | 1 |
| | 43126 | ProMax Garden Automatic 4000 [INT] | | | |
| | 43127 | ProMax Garden Automatic 5000 [INT] | | | |
| | 43128 | ProMax Garden Automatic 6000/5 [INT] | | | |
| | 43129 | ProMax Garden Automatic 3500 [GB] | | | |
| | 43130 | ProMax Garden Automatic 4000 [GB] | | | |
| | 43131 | ProMax Garden Automatic 5000 [GB] | | | |
| | 43132 | ProMax Garden Automatic 6000/5 [GB] | | | |
| 5 | 43125 | ProMax Garden Automatic 3500 [INT] | 44603 | Filter screen Garden | 1 |
| | 43126 | ProMax Garden Automatic 4000 [INT] | | | |
| | 43127 | ProMax Garden Automatic 5000 [INT] | | | |
| | 43128 | ProMax Garden Automatic 6000/5 [INT] | | | |
| | 43129 | ProMax Garden Automatic 3500 [GB] | | | |
| | 43130 | ProMax Garden Automatic 4000 [GB] | | | |
| | 43131 | ProMax Garden Automatic 5000 [GB] | | | |
| | 43132 | ProMax Garden Automatic 6000/5 [GB] | | | |

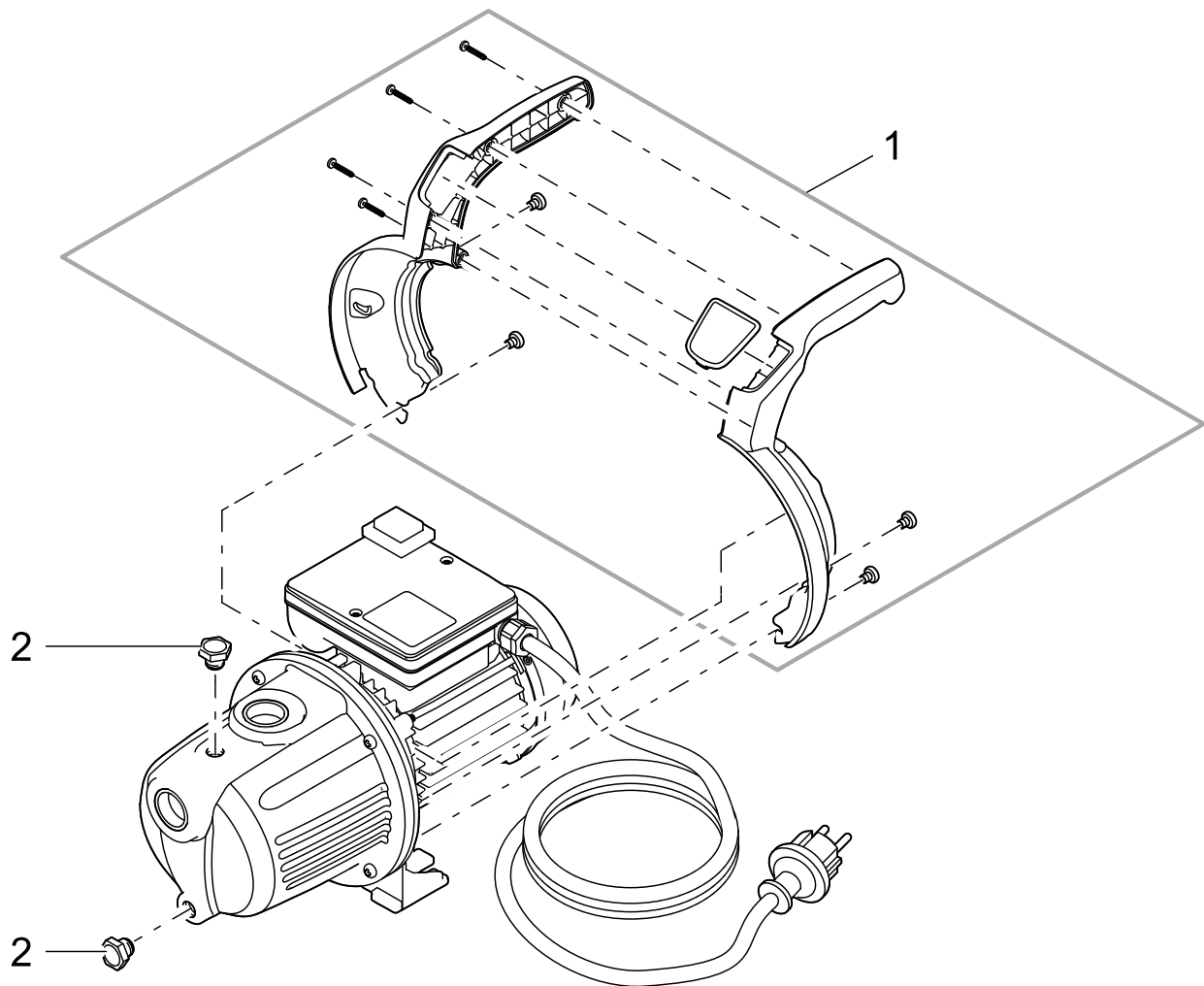
| Pos. | Item no. Product | Product | Item no. Spare part | Spare part | Number |
|------|---------------------|--------------------------------------|------------------------|--------------------------------------|--------|
| 6 | 43125 | ProMax Garden Automatic 3500 [INT] | | | |
| | 43126 | ProMax Garden Automatic 4000 [INT] | 44606 | Pump housing cover Garden 3/4/5000 | 1 |
| | 43127 | ProMax Garden Automatic 5000 [INT] | | | |
| | 43128 | ProMax Garden Automatic 6000/5 [INT] | 44611 | Pump housing cover Garden 6000/5 | 1 |
| | 43129 | ProMax Garden Automatic 3500 [GB] | | | |
| | 43130 | ProMax Garden Automatic 4000 [GB] | 44606 | Pump housing cover Garden 3/4/5000 | 1 |
| | 43131 | ProMax Garden Automatic 5000 [GB] | | | |
| | 43132 | ProMax Garden Automatic 6000/5 [GB] | 44611 | Pump housing cover Garden 6000/5 | 1 |
| 7 | 43125 | ProMax Garden Automatic 3500 [INT] | | | |
| | 43126 | ProMax Garden Automatic 4000 [INT] | | | |
| | 43127 | ProMax Garden Automatic 5000 [INT] | | | |
| | 43128 | ProMax Garden Automatic 6000/5 [INT] | 44610 | Rubber foot set Garden | 1 |
| | 43129 | ProMax Garden Automatic 3500 [GB] | | | |
| | 43130 | ProMax Garden Automatic 4000 [GB] | | | |
| | 43131 | ProMax Garden Automatic 5000 [GB] | | | |
| | 43132 | ProMax Garden Automatic 6000/5 [GB] | | | |
| 8 | 43125 | ProMax Garden Automatic 3500 [INT] | | | |
| | 43126 | ProMax Garden Automatic 4000 [INT] | | | |
| | 43127 | ProMax Garden Automatic 5000 [INT] | | | |
| | 43128 | ProMax Garden Automatic 6000/5 [INT] | 44607 | Drain screw incl. sealing Garden | 1 |
| | 43129 | ProMax Garden Automatic 3500 [GB] | | | |
| | 43130 | ProMax Garden Automatic 4000 [GB] | | | |
| | 43131 | ProMax Garden Automatic 5000 [GB] | | | |
| | 43132 | ProMax Garden Automatic 6000/5 [GB] | | | |
| 9 | 43125 | ProMax Garden Automatic 3500 [INT] | | | |
| | 43126 | ProMax Garden Automatic 4000 [INT] | | | |
| | 43127 | ProMax Garden Automatic 5000 [INT] | | | |
| | 43128 | ProMax Garden Automatic 6000/5 [INT] | 70657 | Spare part check valve ProMax Garden | 1 |
| | 43129 | ProMax Garden Automatic 3500 [GB] | | | |
| | 43130 | ProMax Garden Automatic 4000 [GB] | | | |
| | 43131 | ProMax Garden Automatic 5000 [GB] | | | |
| | 43132 | ProMax Garden Automatic 6000/5 [GB] | | | |

| Item no. | Product |
|----------|----------------------|
| 43122 | ProMax Garden 3500 |
| 43123 | ProMax Garden 5000 |
| 43124 | ProMax Garden 6000/5 |



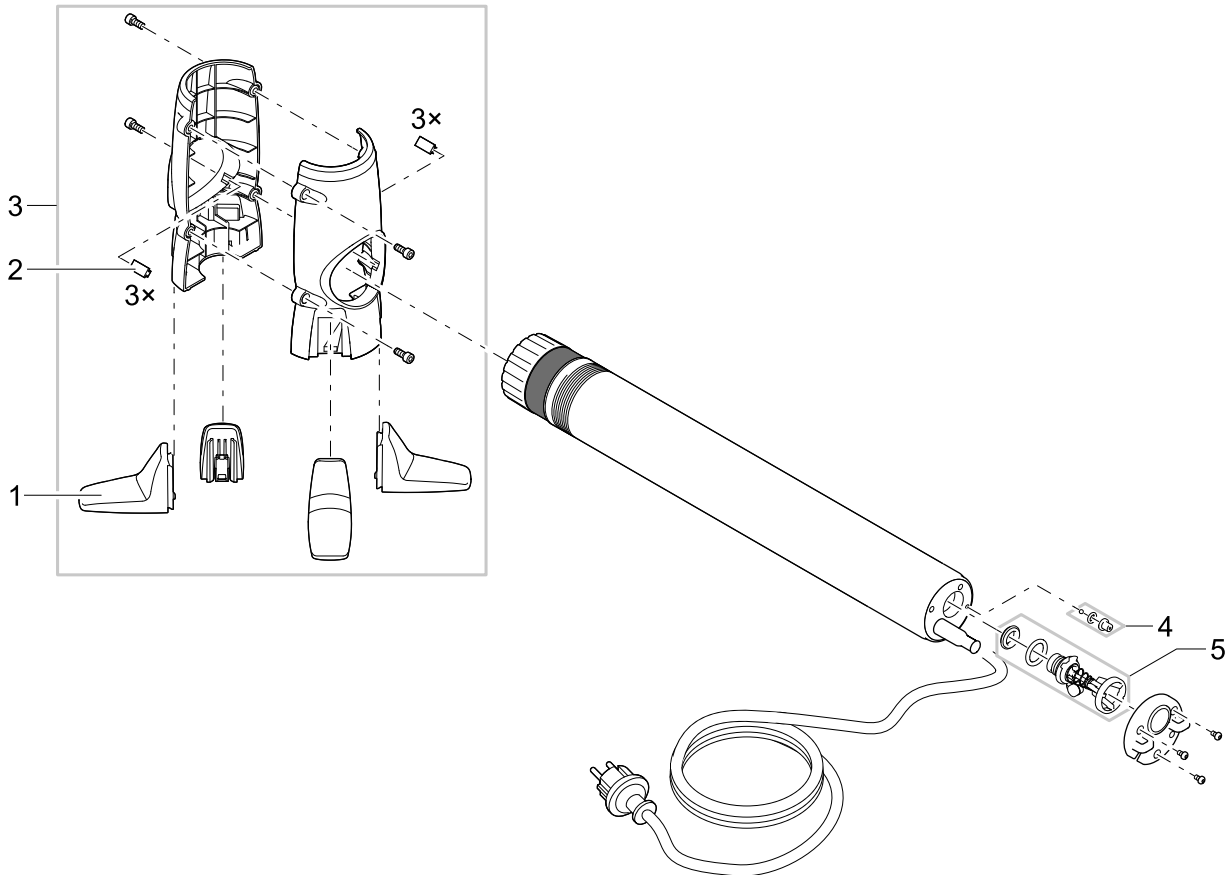
| Pos. | Item no. Product | Product | Item no. Spare part | Spare part | Number |
|------|---------------------|----------------------------|------------------------|--------------------------------------|--------|
| 1 | 43122 | ProMax Garden 3500 [INT] | 44605 | Filter glass Garden | 1 |
| | 43123 | ProMax Garden 5000 [INT] | | | |
| | 43124 | ProMax Garden 6000/5 [INT] | | | |
| 2 | 43122 | ProMax Garden 3500 [INT] | 44604 | O-Ring filter glass Garden | 1 |
| | 43123 | ProMax Garden 5000 [INT] | | | |
| | 43124 | ProMax Garden 6000/5 [INT] | | | |
| 3 | 43122 | ProMax Garden 3500 [INT] | 44608 | Socket 1" Garden | 1 |
| | 43123 | ProMax Garden 5000 [INT] | | | |
| | 43124 | ProMax Garden 6000/5 [INT] | | | |
| 4 | 43124 | ProMax Garden 6000/5 [INT] | 44609 | Flow meter Garden | 1 |
| | 43122 | ProMax Garden 3500 [INT] | | | |
| 5 | 43123 | ProMax Garden 5000 [INT] | 44603 | Filter screen Garden | 1 |
| | 43124 | ProMax Garden 6000/5 [INT] | | | |
| 6 | 43122 | ProMax Garden 3500 [INT] | 44606 | Pump housing cover Garden 3/4/5000 | 1 |
| | 43123 | ProMax Garden 5000 [INT] | | | |
| | 43124 | ProMax Garden 6000/5 [INT] | | | |
| 7 | 43122 | ProMax Garden 3500 [INT] | 44611 | Pump housing cover Garden 6000/5 | 1 |
| | 43123 | ProMax Garden 5000 [INT] | | | |
| | 43124 | ProMax Garden 6000/5 [INT] | | | |
| 8 | 43122 | ProMax Garden 3500 [INT] | 44610 | Rubber foot set Garden | 1 |
| | 43123 | ProMax Garden 5000 [INT] | | | |
| | 43124 | ProMax Garden 6000/5 [INT] | | | |
| 9 | 43122 | ProMax Garden 3500 [INT] | 44607 | Drain screw incl. sealing Garden | 1 |
| | 43123 | ProMax Garden 5000 [INT] | | | |
| | 43124 | ProMax Garden 6000/5 [INT] | | | |
| 9 | 43122 | ProMax Garden 3500 [INT] | 70657 | Spare part check valve ProMax Garden | 1 |
| | 43123 | ProMax Garden 5000 [INT] | | | |
| | 43124 | ProMax Garden 6000/5 [INT] | | | |

| Item no. | Product |
|----------|-------------------------------|
| 43118 | ProMax Garden Classic 3000 |
| 43119 | ProMax Garden Classic 4500 |
| 43120 | GB ProMax Garden Classic 3000 |
| 43121 | GB ProMax Garden Classic 4500 |



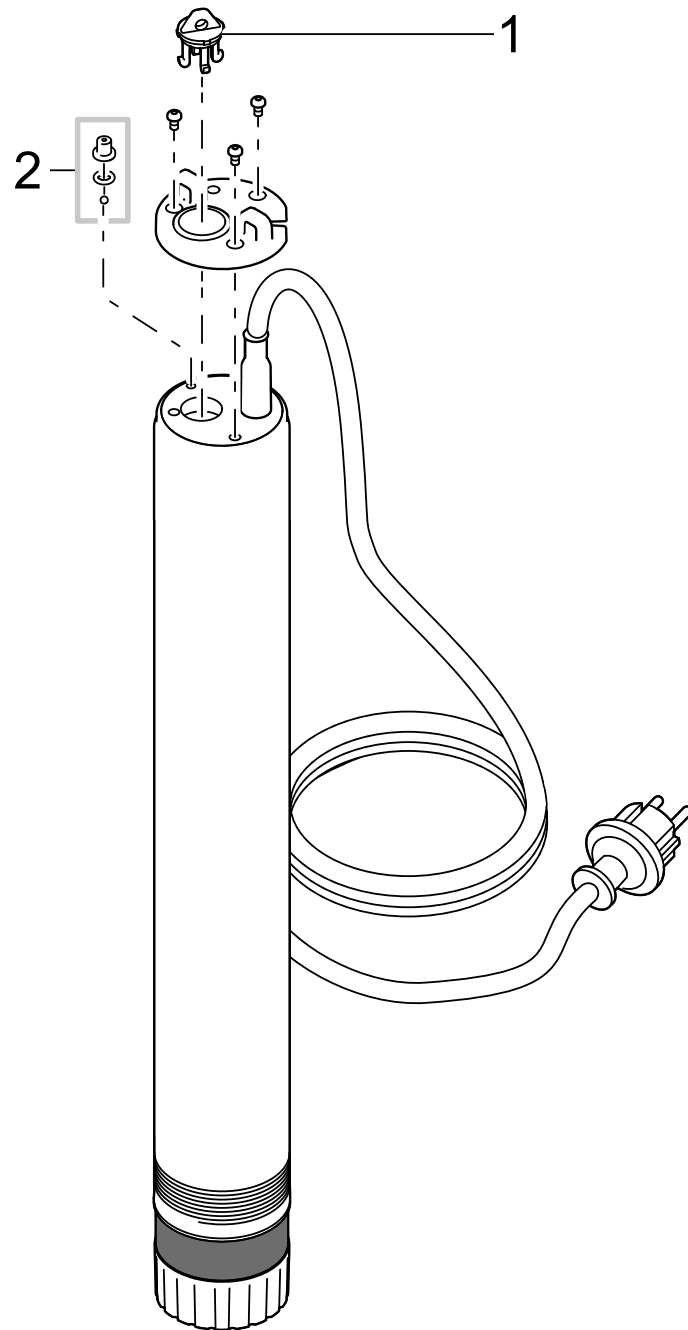
| Pos. | Item no. Product | Product | Item no. Spare part | Spare part | Number |
|------|---------------------|----------------------------------|------------------------|---------------------------------|--------|
| 1 | 43118 | ProMax Garden Classic 3000 [INT] | 44602 | Handle cpl. Garden Classic | 1 |
| | 43119 | ProMax Garden Classic 4500 [INT] | | | |
| | 43120 | ProMax Garden Classic 3000 [GB] | | | |
| | 43121 | ProMax Garden Classic 4500 [GB] | | | |
| 2 | 43118 | ProMax Garden Classic 3000 [INT] | 44601 | Hexagon nut 1/4" Garden Classic | 1 |
| | 43119 | ProMax Garden Classic 4500 [INT] | | | |
| | 43120 | ProMax Garden Classic 3000 [GB] | | | |
| | 43121 | ProMax Garden Classic 4500 [GB] | | | |

| Item no. | Product |
|----------|-------------------------------------|
| 43133 | ProMax Pressure Automatic 6000/8 |
| 57774 | ProMax Pressure Automatic 5500/5 |
| 43135 | GB ProMax Pressure Automatic 6000/8 |



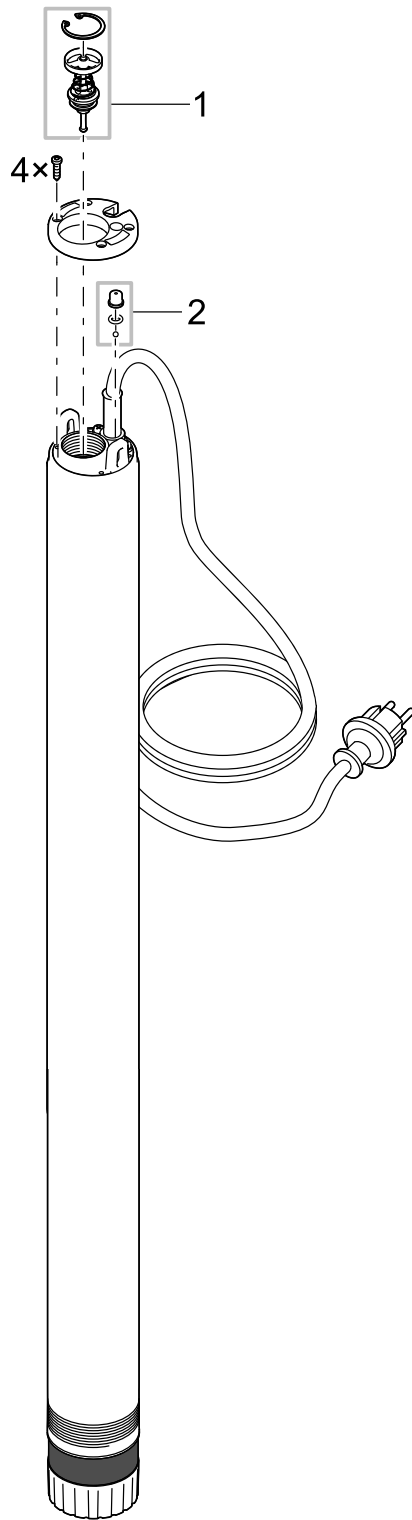
| Pos. | Item no. Product | Product | Item no. Spare part | Spare part | Number |
|------|------------------|--|---------------------|--|--------|
| 1 | 43133 | ProMax Pressure Automatic 6000/8 [INT] | | | |
| | 43135 | ProMax Pressure Automatic 6000/8 [GB] | 44613 | Foot Promax Pressure 6000/8 | 1 |
| 2 | 57774 | ProMax Pressure Automatic 5500/5 [INT] | | | |
| | 43133 | ProMax Pressure Automatic 6000/8 [INT] | | | |
| 2 | 43135 | ProMax Pressure Automatic 6000/8 [GB] | 44614 | Rubber buffer set Pressure 6000/8 | 1 |
| | 57774 | ProMax Pressure Automatic 5500/5 [INT] | | | |
| 3 | 43133 | ProMax Pressure Automatic 6000/8 [INT] | | | |
| | 43135 | ProMax Pressure Automatic 6000/8 [GB] | 44612 | Spare foot base cpl. Pressure 6000/8 | 1 |
| 4 | 57774 | ProMax Pressure Automatic 5500/5 [INT] | | | |
| | 43133 | ProMax Pressure Automatic 6000/8 [INT] | | | |
| 4 | 43135 | ProMax Pressure Automatic 6000/8 [GB] | 49027 | ASM aeration check valve Pressure 6000 | 1 |
| | 57774 | ProMax Pressure Automatic 5500/5 [INT] | | | |
| 5 | 43133 | ProMax Pressure Automatic 6000/8 [INT] | | | |
| | 43135 | ProMax Pressure Automatic 6000/8 [GB] | 45483 | ASM check valve Pressure 6000 | 1 |
| | 57774 | ProMax Pressure Automatic 5500/5 [INT] | | | |

| Item no. | Product |
|----------|------------------------------|
| 57773 | ProMax Pressure Well 6500/10 |
| 70896 | ProMax Pressure Well 3000/18 |



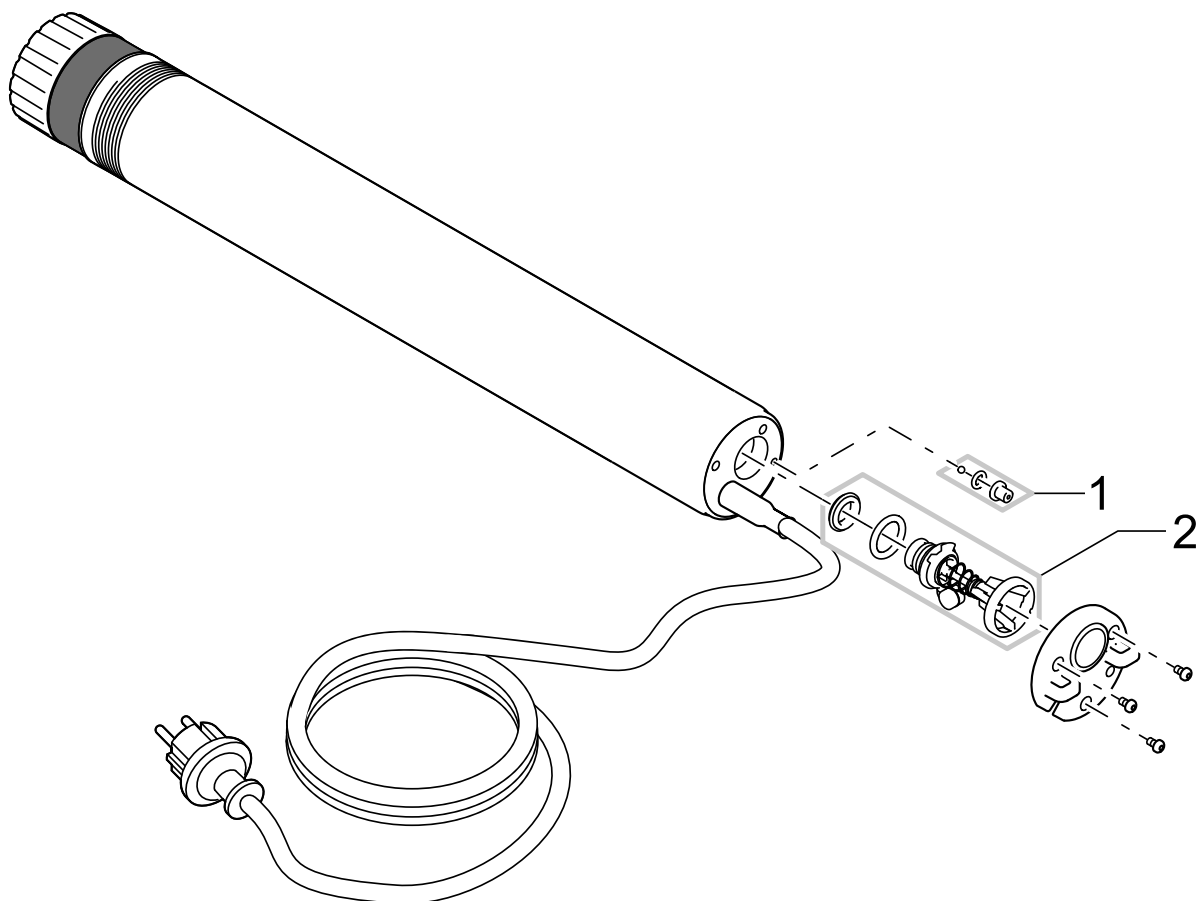
| Pos. | Item no. Product | Product | Item no. Spare part | Spare part | Number |
|------|------------------|------------------------------------|---------------------|--|--------|
| 1 | 57773 | ProMax Pressure Well 6500/10 [INT] | 49954 | Spare check valve Deep Well nA | 1 |
| | 70896 | ProMax Pressure Well 3000/18 [INT] | 72907 | Spare check valve Pressure 3000 | 1 |
| 2 | 57773 | ProMax Pressure Well 6500/10 [INT] | 49027 | ASM aeration check valve Pressure 6000 | 1 |
| | 70896 | ProMax Pressure Well 3000/18 [INT] | | | |

| Item no. | Product |
|----------|--|
| 73362 | ProMax Pressure Well Automatic 3000/15 |



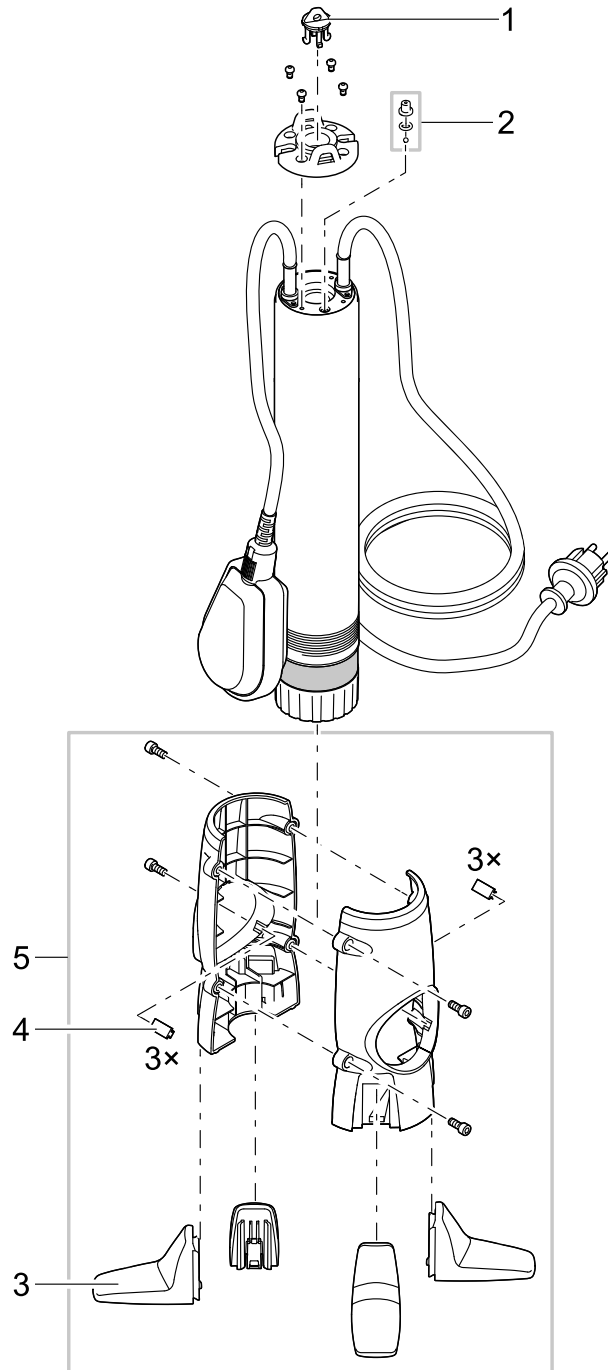
| Pos. | Item no. Product | Product | Item no. Spare part | Spare part | Number |
|------|------------------|--|---------------------|--|--------|
| 1 | 73362 | ProMax Pressure Well Automatic 3000/15 [INT] | 77558 | ASM check valve Pressure 3000A | 1 |
| 2 | 73362 | ProMax Pressure Well Automatic 3000/15 [INT] | 49027 | ASM aeration check valve Pressure 6000 | 1 |

| Item no. | Product |
|----------|---------------------------------------|
| 43134 | ProMax Pressure Well Automatic 6000/8 |



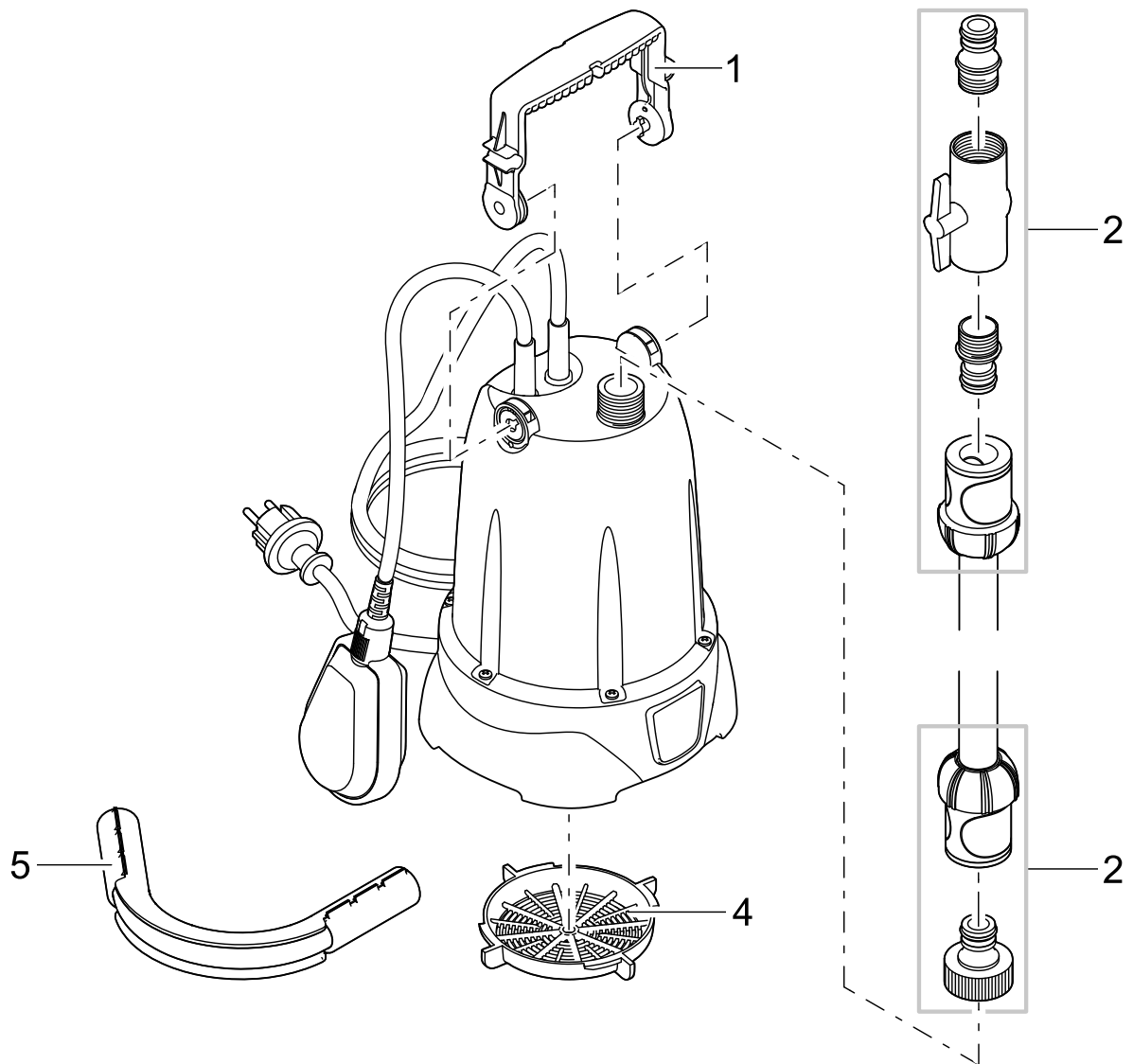
| Pos. | Item no. Product | Product | Item no. Spare part | Spare part | Number |
|------|------------------|---|---------------------|--|--------|
| 1 | 43134 | ProMax Pressure Well Automatic 6000/8 [INT] | 49027 | ASM aeration check valve Pressure 6000 | 1 |
| 2 | 43134 | ProMax Pressure Well Automatic 6000/8 [INT] | 45483 | ASM check valve Pressure 6000 | 1 |

| Item no. | Product |
|----------|--------------------------------|
| 57775 | ProMax Pressure Cistern 6000/6 |



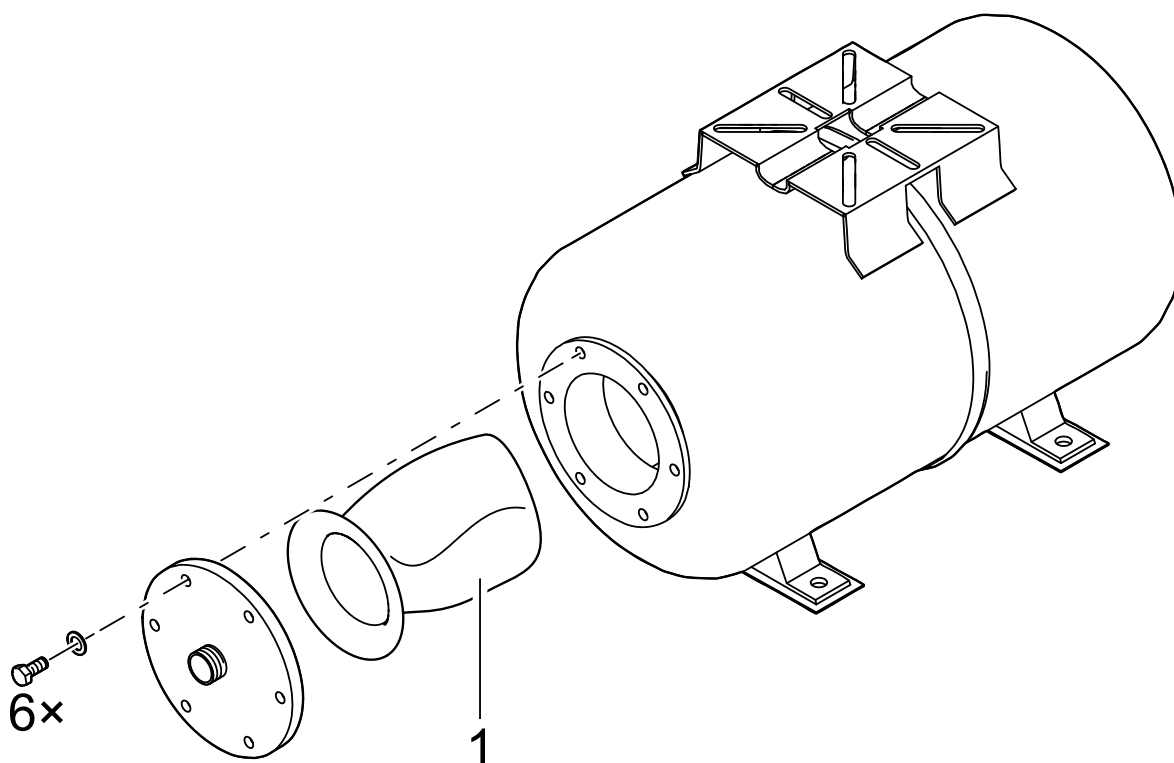
| Pos. | Item no. Product | Product | Item no. Spare part | Spare part | Number |
|------|------------------|--------------------------------------|---------------------|--|--------|
| 1 | 57775 | ProMax Pressure Cistern 6000/6 [INT] | 49954 | Spare check valve Deep Well nA | 1 |
| 2 | 57775 | ProMax Pressure Cistern 6000/6 [INT] | 49027 | ASM aeration check valve Pressure 6000 | 1 |
| 3 | 57775 | ProMax Pressure Cistern 6000/6 [INT] | 44613 | Foot Promax Pressure 6000/8 | 1 |
| 4 | 57775 | ProMax Pressure Cistern 6000/6 [INT] | 44614 | Rubber buffer set Pressure 6000/8 | 1 |
| 5 | 57775 | ProMax Pressure Cistern 6000/6 [INT] | 44612 | Spare foot base cpl. Pressure 6000/8 | 1 |

| Item no. | Product |
|----------|---------------------|
| 47750 | ProMax Rain 4000 |
| 47751 | GB ProMax Rain 4000 |



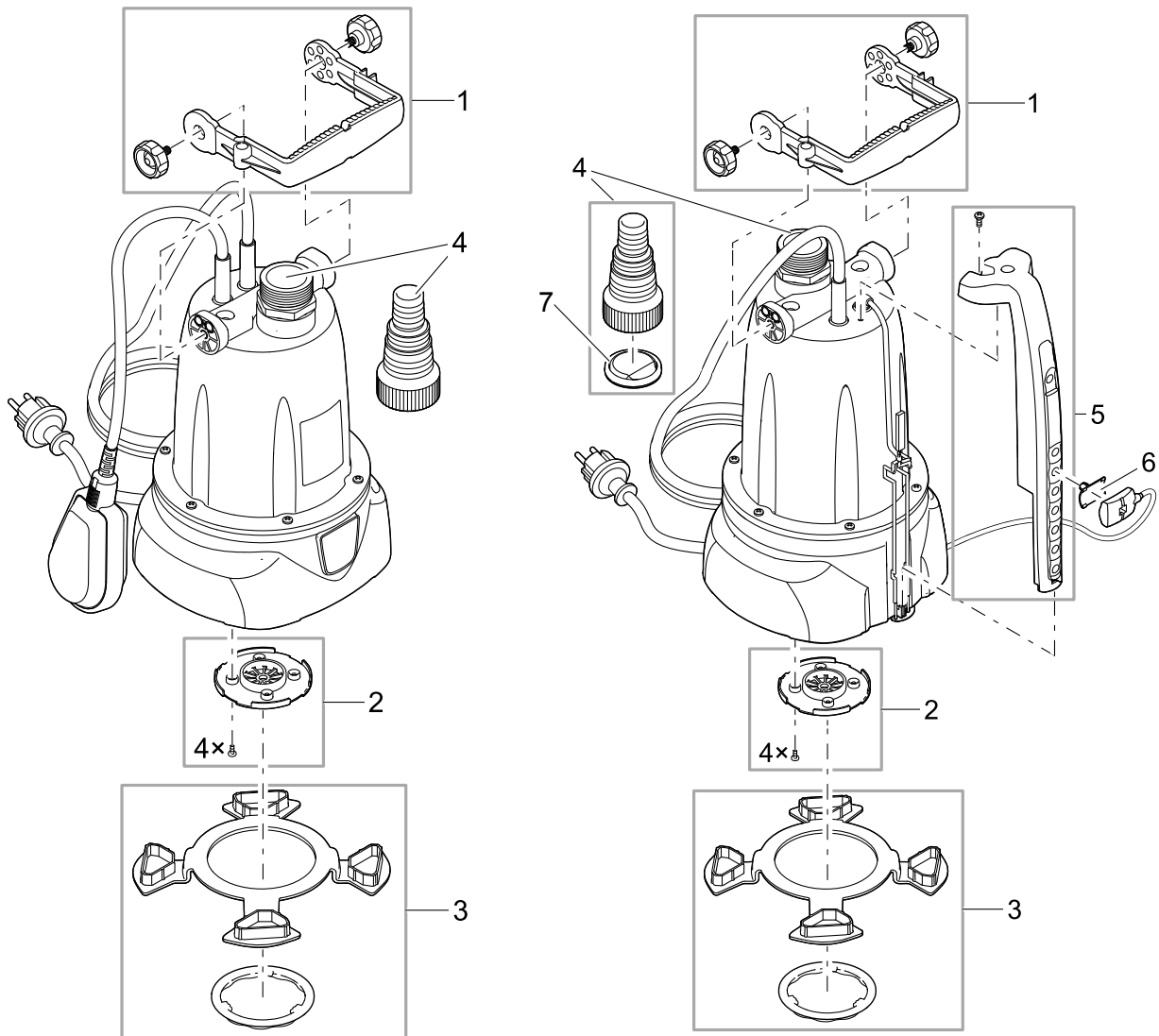
| Pos. | Item no. Product | Product | Item no. Spare part | Spare part | Number |
|------|------------------|------------------------|---------------------|-----------------------------------|--------|
| 1 | 47750 | ProMax Rain 4000 [INT] | 48345 | Spare part handle Drain 6000 | 1 |
| | 47751 | ProMax Rain 4000 [GB] | | | |
| 2 | 47750 | ProMax Rain 4000 [INT] | 49087 | Connection set ProMax Rain | 1 |
| | 47751 | ProMax Rain 4000 [GB] | | | |
| 4 | 47750 | ProMax Rain 4000 [INT] | 48352 | Spare part filter plate Rain 4000 | 1 |
| | 47751 | ProMax Rain 4000 [GB] | | | |
| 5 | 47750 | ProMax Rain 4000 [INT] | 48351 | Hose protection 1/2" | 1 |
| | 47751 | ProMax Rain 4000 [GB] | | | |

| Item no. | Product |
|----------|----------------|
| 44539 | WaterTank 22 l |
| 44540 | WaterTank 50 l |



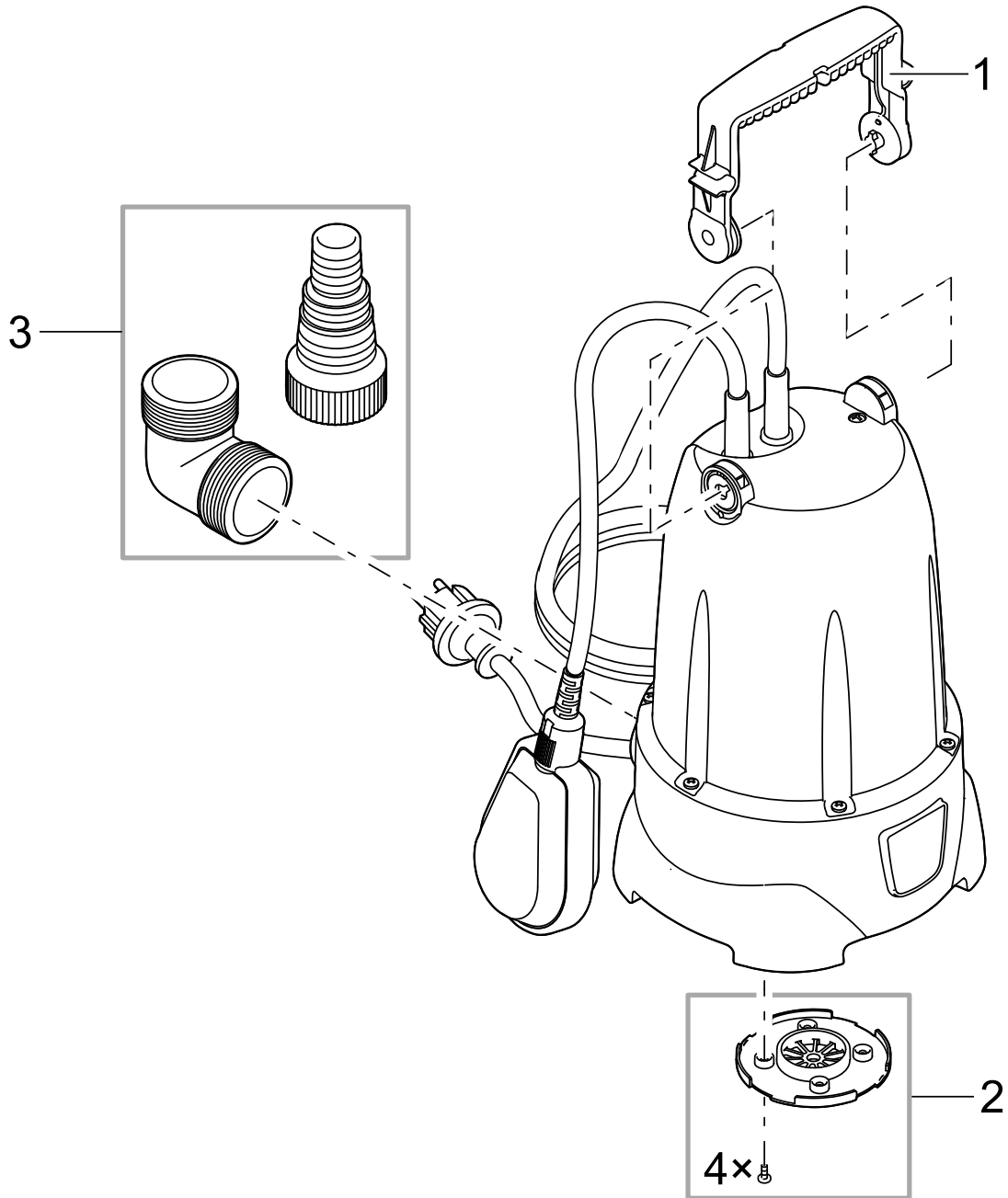
| Pos. | Item no. Product | Product | Item no. Spare part | Spare part | Number |
|------|------------------|----------------------|---------------------|-------------------------------|--------|
| 1 | 44539 | WaterTank 22 l [INT] | 46935 | Spare membrane WaterTank 22 l | 1 |
| | 44540 | WaterTank 50 l [INT] | 46936 | Spare membrane WaterTank 50 l | 1 |

| Item no. | | Product |
|----------|----|-------------------------|
| 42260 | | ProMax ClearDrain 7000 |
| 42261 | | ProMax ClearDrain 11000 |
| 42262 | | ProMax ClearDrain 14000 |
| 42263 | GB | ProMax ClearDrain 7000 |
| 42264 | GB | ProMax ClearDrain 11000 |
| 42265 | GB | ProMax ClearDrain 14000 |



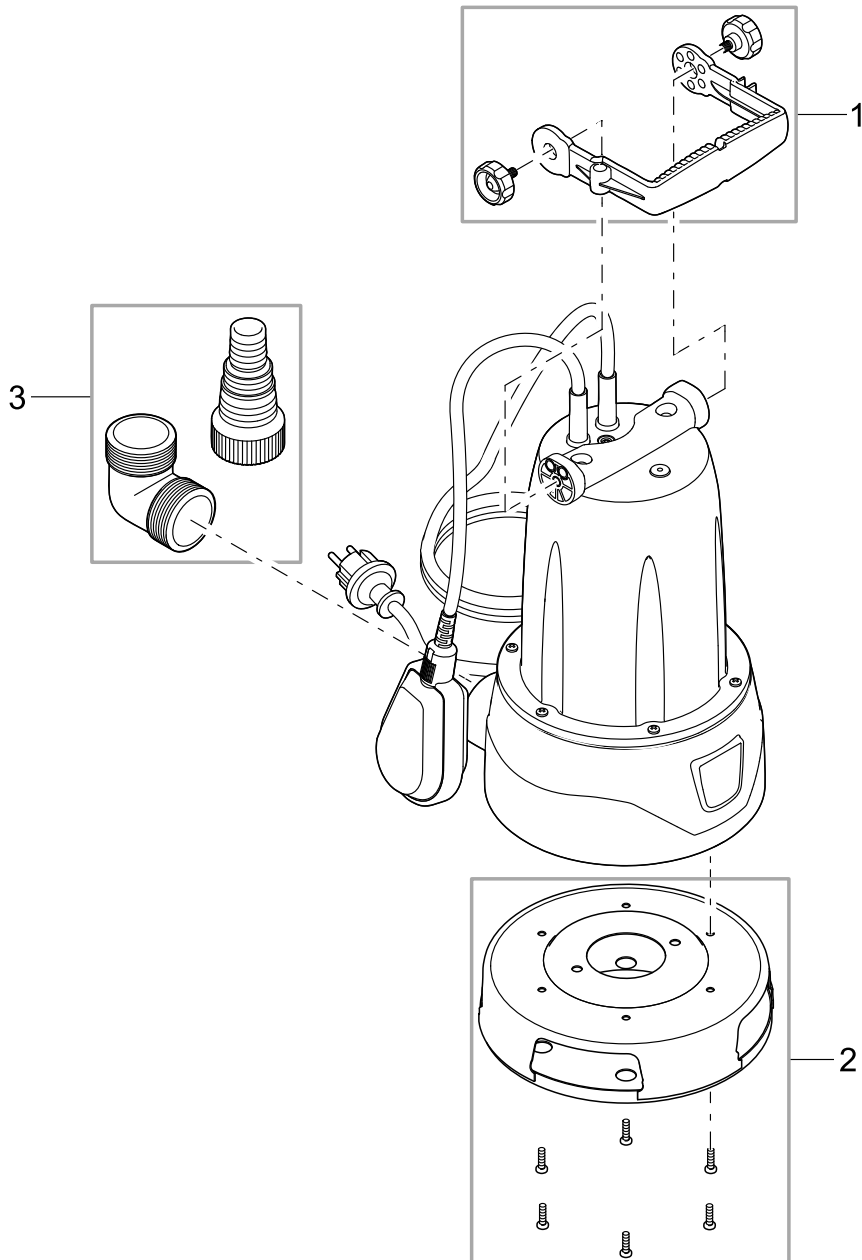
| Pos. | Item no. Product | Product | Item no. Spare part | Spare part | Number |
|------|---------------------|-------------------------------|------------------------|--|--------|
| 1 | 42260 | ProMax ClearDrain 7000 [INT] | 44587 | Handle incl. fixing screw Drain | 1 |
| | 42261 | ProMax ClearDrain 11000 [INT] | | | |
| | 42262 | ProMax ClearDrain 14000 [INT] | | | |
| | 42263 | ProMax ClearDrain 7000 [GB] | | | |
| | 42264 | ProMax ClearDrain 11000 [GB] | | | |
| | 42265 | ProMax ClearDrain 14000 [GB] | | | |
| 2 | 42260 | ProMax ClearDrain 7000 [INT] | 44586 | Filter plate ClearDrain | 1 |
| | 42261 | ProMax ClearDrain 11000 [INT] | | | |
| | 42262 | ProMax ClearDrain 14000 [INT] | | | |
| | 42263 | ProMax ClearDrain 7000 [GB] | | | |
| | 42264 | ProMax ClearDrain 11000 [GB] | | | |
| | 42265 | ProMax ClearDrain 14000 [GB] | | | |
| 3 | 42260 | ProMax ClearDrain 7000 [INT] | 44585 | Lifting plate incl. nut ClearDrain | 1 |
| | 42261 | ProMax ClearDrain 11000 [INT] | | | |
| | 42262 | ProMax ClearDrain 14000 [INT] | | | |
| | 42263 | ProMax ClearDrain 7000 [GB] | | | |
| | 42264 | ProMax ClearDrain 11000 [GB] | | | |
| | 42265 | ProMax ClearDrain 14000 [GB] | | | |
| 4 | 42260 | ProMax ClearDrain 7000 [INT] | 44588 | Adapter set ClearDrain 1 1/4" straight | 1 |
| | 42261 | ProMax ClearDrain 11000 [INT] | | | |
| | 42262 | ProMax ClearDrain 14000 [INT] | | | |
| | 42263 | ProMax ClearDrain 7000 [GB] | | | |
| | 42264 | ProMax ClearDrain 11000 [GB] | | | |
| | 42265 | ProMax ClearDrain 14000 [GB] | | | |
| 5 | 42261 | ProMax ClearDrain 11000 [INT] | 44591 | Sensor bar ClearDrain 11000/14000 | 1 |
| | 42262 | ProMax ClearDrain 14000 [INT] | | | |
| | 42264 | ProMax ClearDrain 11000 [GB] | | | |
| | 42265 | ProMax ClearDrain 14000 [GB] | | | |
| 6 | 42261 | ProMax ClearDrain 11000 [INT] | 47822 | Spare part sensor block cover Drain C | 1 |
| | 42262 | ProMax ClearDrain 14000 [INT] | | | |
| | 42264 | ProMax ClearDrain 11000 [GB] | | | |
| | 42265 | ProMax ClearDrain 14000 [GB] | | | |
| 7 | 42261 | ProMax ClearDrain 11000 [INT] | 89836 | Check valve ProMax 1 1/4" | 1 |
| | 42262 | ProMax ClearDrain 14000 [INT] | | | |
| | 42264 | ProMax ClearDrain 11000 [GB] | | | |
| | 42265 | ProMax ClearDrain 14000 [GB] | | | |

| Item no. | Product |
|----------|------------------------|
| 47746 | ProMax ClearDrain 6000 |



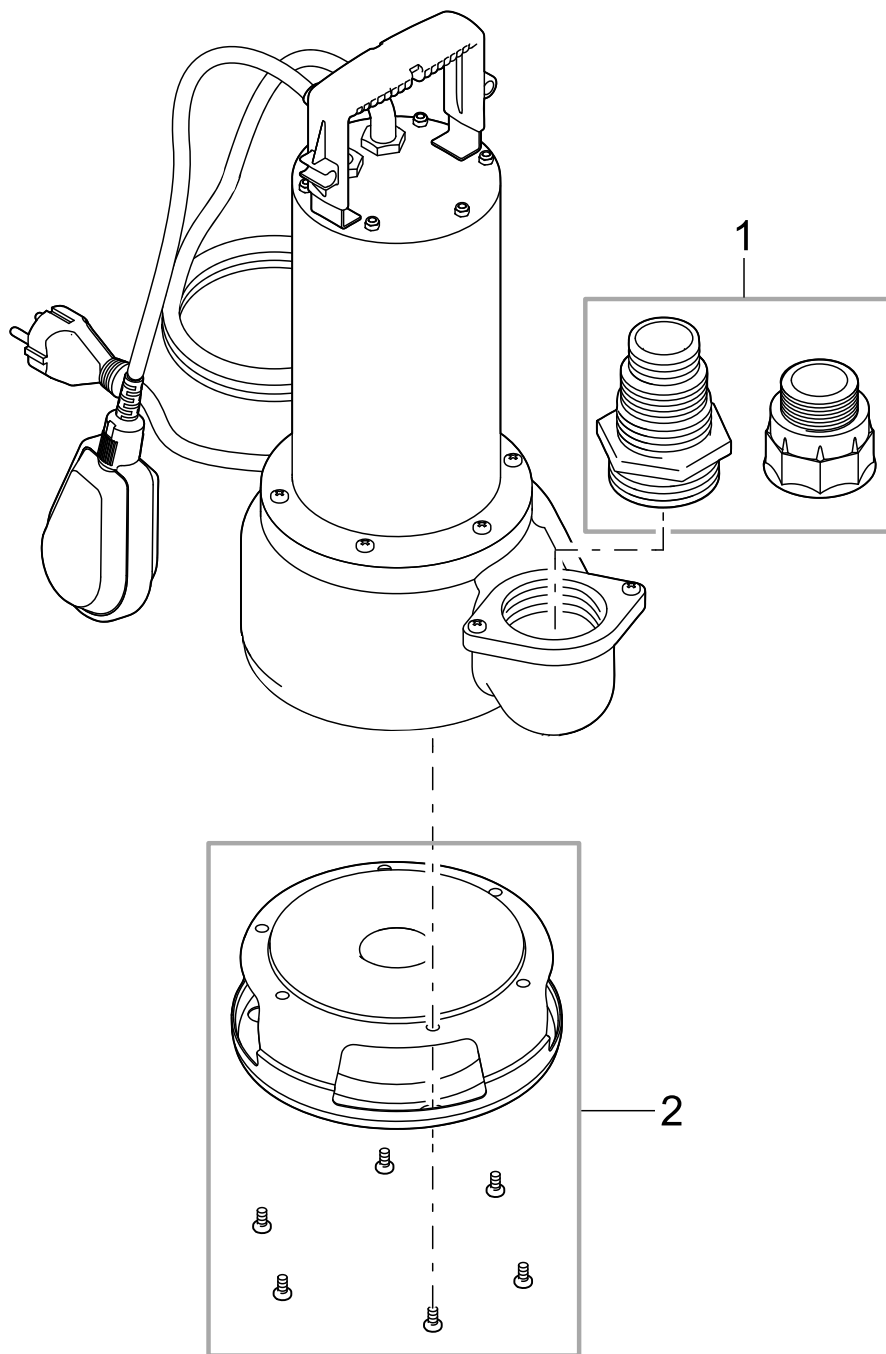
| Pos. | Item no. Product | Product | Item no. Spare part | Spare part | Number |
|------|------------------|------------------------------|---------------------|--------------------------------|--------|
| 1 | 47746 | ProMax ClearDrain 6000 [INT] | 48345 | Spare part handle Drain 6000 | 1 |
| 2 | 47746 | ProMax ClearDrain 6000 [INT] | 44586 | Filter plate ClearDrain | 1 |
| 3 | 47746 | ProMax ClearDrain 6000 [INT] | 48344 | Adapter set Drain 1 1/4" elbow | 1 |

| Item no. | Product |
|----------|--------------------------|
| 57766 | ProMax MudDrain 20000 |
| 57769 | GB ProMax MudDrain 20000 |



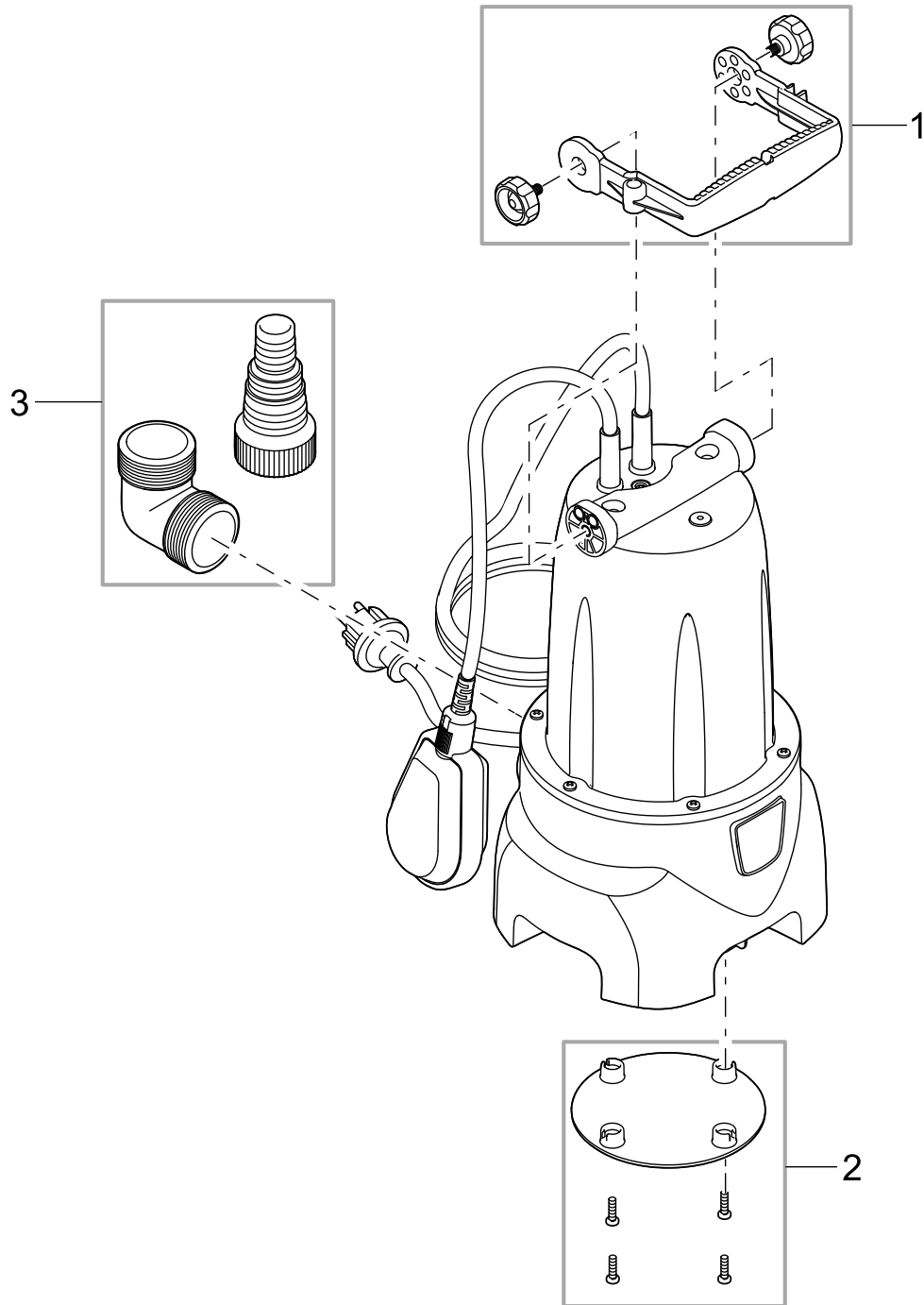
| Pos. | Item no. Product | Product | Item no. Spare part | Spare part | Number |
|------|------------------|-----------------------------|---------------------|---|--------|
| 1 | 57766 | ProMax MudDrain 20000 [INT] | 44587 | Handle incl. fixing screw Drain | 1 |
| | 57769 | ProMax MudDrain 20000 [GB] | | | |
| 2 | 57766 | ProMax MudDrain 20000 [INT] | 50693 | Spare ASM pump foot MudDrain 20000 2018 | 1 |
| | 57769 | ProMax MudDrain 20000 [GB] | | | |
| 3 | 57766 | ProMax MudDrain 20000 [INT] | 44596 | Adapter Set MudDrain 1 1/2" | 1 |
| | 57769 | ProMax MudDrain 20000 [GB] | | | |

| Item no. | | Product |
|----------|----|-----------------------|
| 42269 | | ProMax MudDrain 20000 |
| 42270 | | ProMax MudDrain 25000 |
| 57767 | | ProMax MudDrain 25000 |
| 57768 | | ProMax MudDrain 30000 |
| 42274 | GB | ProMax MudDrain 20000 |
| 42275 | GB | ProMax MudDrain 25000 |
| 57770 | GB | ProMax MudDrain 25000 |
| 57771 | GB | ProMax MudDrain 30000 |



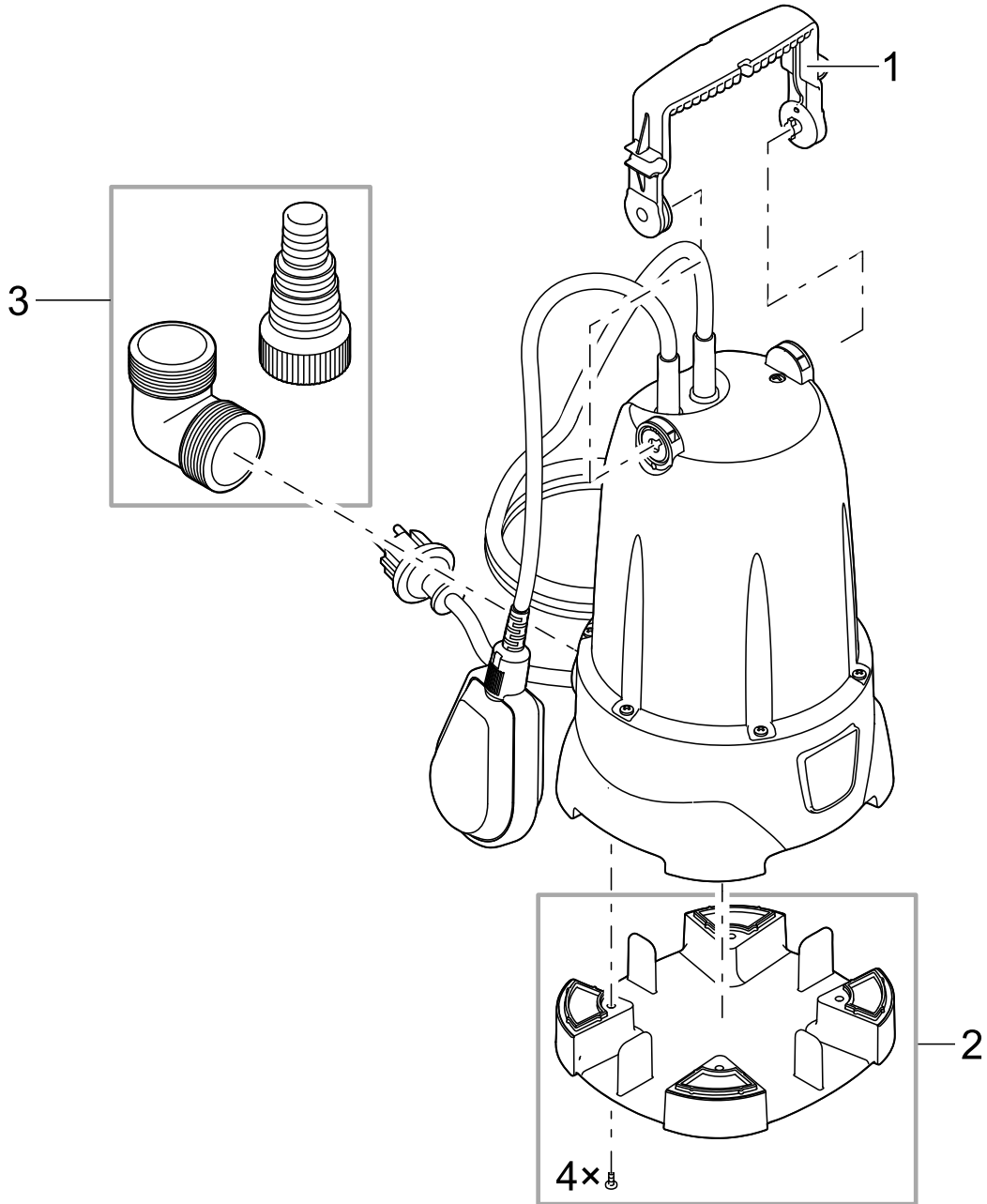
| Pos. | Item no. Product | Product | Item no. Spare part | Spare part | Number |
|-------|---------------------|-----------------------------|-----------------------------|--|--------|
| 1 | 42269 | ProMax MudDrain 20000 [INT] | | | |
| | 42270 | ProMax MudDrain 25000 [INT] | | | |
| | 42274 | ProMax MudDrain 20000 [GB] | | | |
| | 42275 | ProMax MudDrain 25000 [GB] | | | |
| | 57767 | ProMax MudDrain 25000 [INT] | 44600 | Adapter set MudDrain 2" | 1 |
| | 57768 | ProMax MudDrain 30000 [INT] | | | |
| | 57770 | ProMax MudDrain 25000 [GB] | | | |
| | 57771 | ProMax MudDrain 30000 [GB] | | | |
| | 2 | 42269 | ProMax MudDrain 20000 [INT] | | |
| 42270 | | ProMax MudDrain 25000 [INT] | | | |
| 42274 | | ProMax MudDrain 20000 [GB] | | | |
| 42275 | | ProMax MudDrain 25000 [GB] | | | |
| 57767 | | ProMax MudDrain 25000 [INT] | 44599 | Pump base incl. O-Ring MudDrain 20/25000 | 1 |
| 57768 | | ProMax MudDrain 30000 [INT] | | | |
| 57770 | | ProMax MudDrain 25000 [GB] | | | |
| 57771 | | ProMax MudDrain 30000 [GB] | | | |

| Item no. | | Product |
|----------|----|-----------------------|
| 42266 | | ProMax MudDrain 7000 |
| 42267 | | ProMax MudDrain 11000 |
| 42268 | | ProMax MudDrain 14000 |
| 42271 | GB | ProMax MudDrain 7000 |
| 42272 | GB | ProMax MudDrain 11000 |
| 42273 | GB | ProMax MudDrain 14000 |

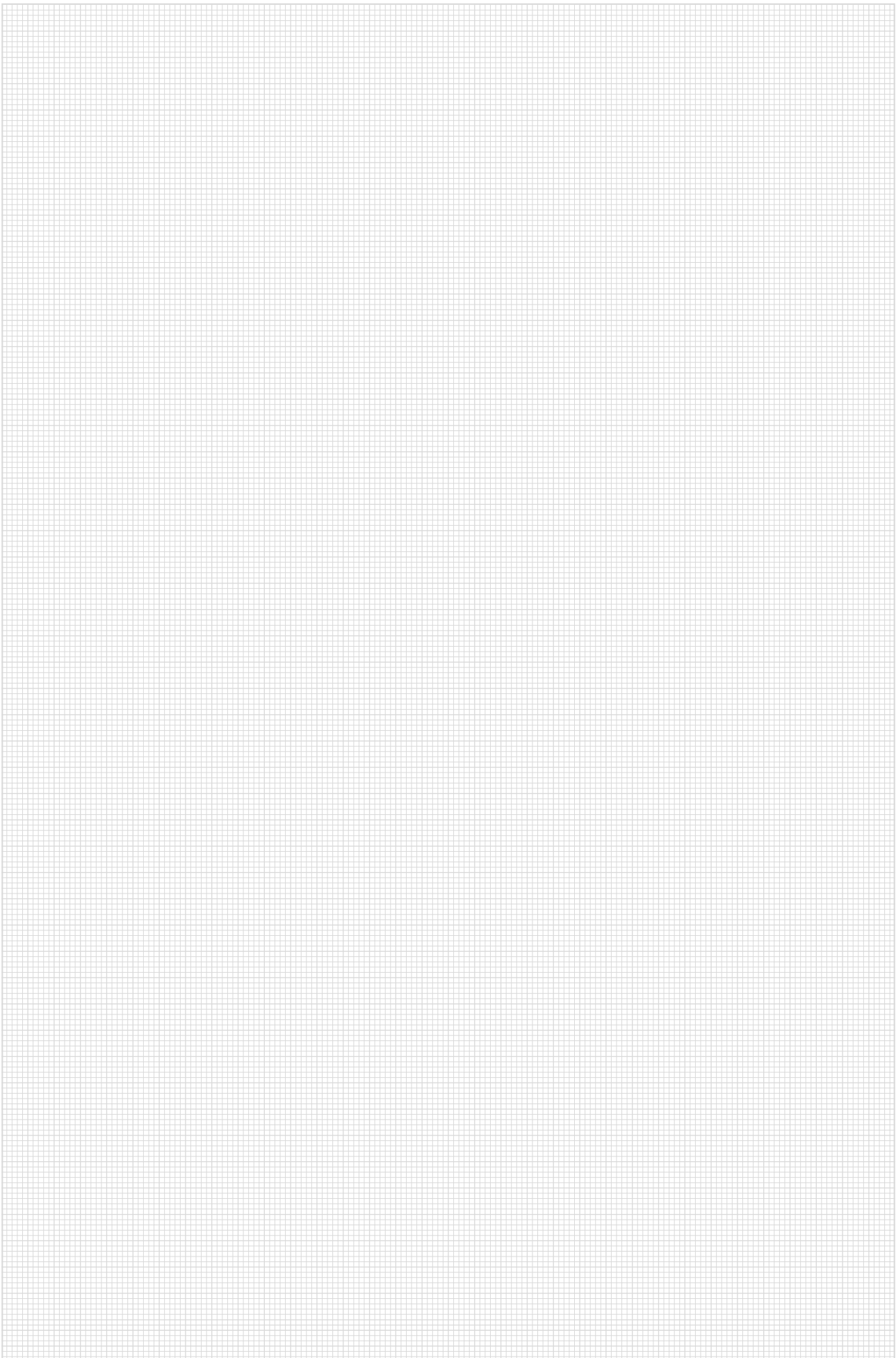


| Pos. | Item no. Product | Product | Item no. Spare part | Spare part | Number |
|------|---------------------|-----------------------------|------------------------|---------------------------------|--------|
| 1 | 42266 | ProMax MudDrain 7000 [INT] | 44587 | Handle incl. fixing screw Drain | 1 |
| | 42267 | ProMax MudDrain 11000 [INT] | | | |
| | 42268 | ProMax MudDrain 14000 [INT] | | | |
| | 42271 | ProMax MudDrain 7000 [GB] | | | |
| | 42272 | ProMax MudDrain 11000 [GB] | | | |
| | 42273 | ProMax MudDrain 14000 [GB] | | | |
| 2 | 42266 | ProMax MudDrain 7000 [INT] | 44595 | Base plate MudDrain | 1 |
| | 42267 | ProMax MudDrain 11000 [INT] | | | |
| | 42268 | ProMax MudDrain 14000 [INT] | | | |
| | 42271 | ProMax MudDrain 7000 [GB] | | | |
| | 42272 | ProMax MudDrain 11000 [GB] | | | |
| | 42273 | ProMax MudDrain 14000 [GB] | | | |
| 3 | 42266 | ProMax MudDrain 7000 [INT] | 44596 | Adapter Set MudDrain 1 1/2" | 1 |
| | 42267 | ProMax MudDrain 11000 [INT] | | | |
| | 42268 | ProMax MudDrain 14000 [INT] | | | |
| | 42271 | ProMax MudDrain 7000 [GB] | | | |
| | 42272 | ProMax MudDrain 11000 [GB] | | | |
| | 42273 | ProMax MudDrain 14000 [GB] | | | |

| Item no. | Product |
|----------|----------------------|
| 47748 | ProMax MudDrain 6000 |



| Pos. | Item no. Product | Product | Item no. Spare part | Spare part | Number |
|------|------------------|----------------------------|---------------------|--------------------------------|--------|
| 1 | 47748 | ProMax MudDrain 6000 [INT] | 48345 | Spare part handle Drain 6000 | 1 |
| 2 | 47748 | ProMax MudDrain 6000 [INT] | 44586 | Filter plate ClearDrain | 1 |
| 3 | 47748 | ProMax MudDrain 6000 [INT] | 48344 | Adapter set Drain 1 1/4" elbow | 1 |



Dear OASE trade partner,

OASE always stocks spare parts for at least 5 years, in some cases up to 8 years from the last production date. If for economic and/or technical reasons, spare parts delivery within the five years cited above is not possible, OASE offers an equivalent product or at OASE's discretion a successor model as product, free of charge.

If repair of the electrical components of an OASE device should be necessary, you can send this device to us for repair, at your own expense and risk. In warranty or guarantee cases the repair is free of charge, therefore we decide whether we repair or send an equivalent part.

Authorised companies can also execute these types of repairs themselves, in compliance with the appropriate VDE guidelines. In this situation should you require safety-relevant spare parts, you can request these parts from us per fax with this form!

Repair of electrical devices

Sender:

| | | | |
|--------------|-------|-------------------|-------|
| Customer no. | _____ | Address | _____ |
| Company | _____ | | _____ |
| Name | _____ | | _____ |
| Telephone | _____ | Postal Code /City | _____ |
| Fax | _____ | E-mail | _____ |
| City, Date | _____ | Signature | _____ |

I hereby assure that the maintenance / repair on the OASE immersion motor pump or a different electrical device, type ... will be properly and expertly executed, also with due consideration of the prescribed safety tests in accordance with VDE 0700 T1, T41 and VDE 0701 T 1 and T200.

I am aware that in accordance with the instructions for use specified by OASE, liability on the part of the manufacturer for damage that occurs due to improper operation or repair, or due to inadequate maintenance or normal wear (wearing parts), is excluded.

In particular the following requirements in accordance with VDE 0700 T41 paragraph 13, 15, 16 and 27 must be considered.

Excerpt from the directive:

- High-voltage test: 1250 volt 1. min.
- Protective earth conductor test: 25 amp 2 sec.
- Function test: 220 V / 50 Hz 5 sec.
- alternatively 380 V / 50 Hz 5 sec.
- Leakage current test: <0.75 mA 5 sec.

as well as

- Pressure-water tightness test on the submerged complete pump

Electrical device:

Required spare parts:

| | |
|-------|-------|
| _____ | _____ |
| | _____ |
| | _____ |
| | _____ |

OASE Guarantee

OASE GmbH offers a manufacturer's guarantee under the conditions specified below; the respective duration of the manufacturer's guarantee is marked based on the product. The guarantee period is also provided in text form with the product. The term of the respective guarantee period starts with the first-time purchase of the new product from the authorised OASE dealer. If the product is resold, the guarantee period does not start over again. The guarantee period is neither extended nor restarted through guarantee performances, nor do legal warranty claims arise on guarantee performances. If the guarantee is not expressly specified, then OASE provides a guarantee in the scope cited below: The prerequisite for claiming any guarantee from OASE, including the extension guarantee, is that the customer must have properly and exclusively installed original OASE spare parts when replacing parts, or for a repair or for any kind of improvement. If products from third-party manufacturers are installed, any OASE guarantee is rendered null and void. At our discretion we provide a guarantee through free-of-charge repair or free-of-charge delivery of original spare parts, or of an equivalent replacement device. If the type in question should no longer be manufactured, we reserve the right, at our discretion, to deliver a replacement device from our product range that most nearly approaches the type that was the object of the complaint. Reimbursement of expenses for removal and installation, checking, claims for lost profit and compensation for damage, as well as reverse transaction claims are not included in the guarantee, likewise more extensive claims for compensation of losses, regardless of the type, that have been caused by the device and its use, are not included in the guarantee. The guarantee only applies for the country in which the devices were purchased from an authorised OASE dealer.

According to these conditions German law with exclusion of the United Nations Convention on Contracts for the International Sale of Goods (CISG), applies for this guarantee. The legal rights of the purchaser, in particular arising from the warranty are not affected by this guarantee. Defects or damage due to faulty installation or operating error, as well as insufficient care or the use of unsuitable cleaning agents or neglected maintenance, non-intended use, damage, impact, the effects of freezing temperatures, etc., cutting of the plug, shortening the cable, limescale deposits or improper repair attempts, are not covered by the guarantee. In this respect, relative to the intended use, we refer to the operating instructions; compliance with the operating instructions is the basic prerequisite for any claim arising from the guarantee. Wear parts, e.g. bulbs, etc. are expressly not a component of the guarantee; wear parts are specified in the operating instructions of the products. If there is a guarantee claim, please contact the OASE dealer, who sold the product to you. If this possibility does not exist, you can assert claims arising from the guarantee relative to OASE GmbH, Tecklenburger Str. 161, 48477 Hörstel, Germany, by sending to us the product that is the object of the complaint, carriage paid, and at your transport risk, with a copy of the original purchase receipt of the authorised OASE dealer, the original guarantee certificate, as well as written specification of the fault that is the object of the complaint. A directory of authorized OASE dealers is provided at: www.oase.com

| Item no. | Product | Page | Item no. | Product | Page |
|----------|--|------|----------|--|------|
| 50183 | AirFlo 1.5 kW / 230 V [INT] | 329 | 50746 | AquaMax Eco Premium 16000 [GB] | 28 |
| 50185 | AirFlo 4.0 kW / 400 V [INT] | 330 | 50745 | AquaMax Eco Premium 16000 [INT] | 28 |
| 50571 | AquaActiv Water analysis Profi-Set [INT] | 440 | 75933 | AquaMax Eco Premium 17000 [GB] | 33 |
| 57479 | AquaAir 250 [INT] | 325 | 75926 | AquaMax Eco Premium 17000 [INT] | 33 |
| 87157 | AquaAir Eco 250 [INT] | 327 | 56409 | AquaMax Eco Premium 20000 [GB] | 31 |
| 50068 | AquaMax Dry 14000 [INT] | 21 | 56406 | AquaMax Eco Premium 20000 [INT] | 31 |
| 50448 | AquaMax Dry 16000 [GB] | 21 | 75934 | AquaMax Eco Premium 21000 [GB] | 33 |
| 50393 | AquaMax Dry 6000 [INT] | 21 | 75927 | AquaMax Eco Premium 21000 [INT] | 33 |
| 50069 | AquaMax Dry 8000 [GB] | 21 | 50735 | AquaMax Eco Premium 4000 [GB] | 24 |
| 50066 | AquaMax Dry 8000 [INT] | 21 | 50734 | AquaMax Eco Premium 4000 [INT] | 24 |
| 57358 | AquaMax Eco 12000 [INT] | 65 | 75928 | AquaMax Eco Premium 5000 [GB] | 33 |
| 51103 | AquaMax Eco Classic 11500 [GB] | 41 | 75923 | AquaMax Eco Premium 5000 [INT] | 33 |
| 51102 | AquaMax Eco Classic 11500 [INT] | 41 | 50739 | AquaMax Eco Premium 6000 [GB] | 24 |
| 73340 | AquaMax Eco Classic 12000 C [GB] | 39 | 50736 | AquaMax Eco Premium 6000 [INT] | 24 |
| 73337 | AquaMax Eco Classic 12000 C [INT] | 39 | 50730 | AquaMax Eco Premium 6000 / 12 V [INT] | 60 |
| 51109 | AquaMax Eco Classic 14500 [GB] | 41 | 85488 | AquaMax Eco Premium 7000 [GB] | 33 |
| 51104 | AquaMax Eco Classic 14500 [INT] | 41 | 85487 | AquaMax Eco Premium 7000 [INT] | 33 |
| 56710 | AquaMax Eco Classic 17500 [GB] | 41 | 50741 | AquaMax Eco Premium 8000 [GB] | 24 |
| 56653 | AquaMax Eco Classic 17500 [INT] | 41 | 50740 | AquaMax Eco Premium 8000 [INT] | 24 |
| 73341 | AquaMax Eco Classic 18000 C [GB] | 39 | 75929 | AquaMax Eco Premium 9000 [GB] | 33 |
| 73338 | AquaMax Eco Classic 18000 C [INT] | 39 | 75924 | AquaMax Eco Premium 9000 [INT] | 33 |
| 20241 | AquaMax Eco Classic 2500 E [GB] | 44 | 57356 | AquaMax Eco R 8000 [INT] | 65 |
| 20225 | AquaMax Eco Classic 2500 E [INT] | 44 | 47028 | AquaMax Eco Titanium 30000 [INT] | 14 |
| 51094 | AquaMax Eco Classic 3500 [GB] | 41 | 73656 | AquaMax Eco Titanium 31000 [INT] | 11 |
| 51092 | AquaMax Eco Classic 3500 [INT] | 41 | 39918 | AquaMax Eco Titanium 50000 [INT] | 15 |
| 20264 | AquaMax Eco Classic 3500 E [GB] | 44 | 73657 | AquaMax Eco Titanium 51000 [INT] | 12 |
| 20249 | AquaMax Eco Classic 3500 E [INT] | 44 | 77462 | AquaMax Eco Titanium 81000 [INT] | 13 |
| 51098 | AquaMax Eco Classic 5500 [GB] | 41 | 50708 | AquaMax Eco Twin 20000 [INT] | 22 |
| 51096 | AquaMax Eco Classic 5500 [INT] | 41 | 50710 | AquaMax Eco Twin 30000 [INT] | 22 |
| 51100 | AquaMax Eco Classic 8500 [GB] | 41 | 56873 | AquaMax Expert 20000 [INT] | 48 |
| 51099 | AquaMax Eco Classic 8500 [INT] | 41 | 56874 | AquaMax Expert 30000 [INT] | 48 |
| 73339 | AquaMax Eco Classic 9000 C [GB] | 39 | 56875 | AquaMax Expert 40000 [INT] | 48 |
| 73336 | AquaMax Eco Classic 9000 C [INT] | 39 | 37125 | AquaOxy 1000 [INT] | 334 |
| 40247 | AquaMax Eco Control [INT] | 64 | 57437 | AquaOxy 2000 [GB] | 334 |
| 55313 | AquaMax Eco Expert 20000 / 12 V [INT] | 59 | 57350 | AquaOxy 2000 [INT] | 334 |
| 39916 | AquaMax Eco Expert 21000 [INT] | 17 | 50532 | AquaOxy 240 [INT] | 331 |
| 39917 | AquaMax Eco Expert 26000 [INT] | 17 | 73377 | AquaOxy 250 [GB] | 332 |
| 77918 | AquaMax Eco Expert 27000 / 12 V [INT] | 59 | 34064 | AquaOxy 250 [INT] | 332 |
| 54614 | AquaMax Eco Expert 36000 [INT] | 18 | 87103 | AquaOxy 2500 [GB] | 336 |
| 54615 | AquaMax Eco Expert 44000 [INT] | 18 | 87100 | AquaOxy 2500 [INT] | 336 |
| 57091 | AquaMax Eco Gravity 10000 [INT] | 16 | 73378 | AquaOxy 4800 [GB] | 335 |
| 57092 | AquaMax Eco Gravity 15000 [INT] | 16 | 50398 | AquaOxy 4800 [INT] | 335 |
| 57093 | AquaMax Eco Gravity 20000 [INT] | 16 | 57567 | AquaOxy 500 [GB] | 333 |
| 51085 | AquaMax Eco Premium 10000 [GB] | 24 | 57063 | AquaOxy 500 [INT] | 333 |
| 51078 | AquaMax Eco Premium 10000 [INT] | 24 | 87104 | AquaOxy 5000 [GB] | 336 |
| 50743 | AquaMax Eco Premium 12000 [GB] | 28 | 87101 | AquaOxy 5000 [INT] | 336 |
| 50742 | AquaMax Eco Premium 12000 [INT] | 28 | 87105 | AquaOxy 7500 [GB] | 336 |
| 50382 | AquaMax Eco Premium 12000 / 12 V [INT] | 61 | 87102 | AquaOxy 7500 [INT] | 336 |
| 75932 | AquaMax Eco Premium 13000 [GB] | 33 | 78109 | Aquarius Eco Expert 20000 / 12 V [INT] | 62 |
| 75925 | AquaMax Eco Premium 13000 [INT] | 33 | 42405 | Aquarius Eco Expert 22000 [INT] | 46 |

| Item no. | Product | Page | Item no. | Product | Page |
|----------|--|------|----------|---|------|
| 42404 | Aquarius Eco Expert 28000 [INT] | 46 | 36975 | Aquarius Universal Classic 600 [INT] | 56 |
| 54612 | Aquarius Eco Expert 36000 [INT] | 47 | 56870 | Aquarius Universal Expert 21000 [INT] | 19 |
| 54613 | Aquarius Eco Expert 44000 [INT] | 47 | 56871 | Aquarius Universal Expert 27000 [INT] | 19 |
| 90291 | Aquarius Eco Premium 13500 [INT] | 50 | 56872 | Aquarius Universal Expert 40000 [INT] | 19 |
| 90292 | Aquarius Eco Premium 16500 [INT] | 50 | 56879 | Aquarius Universal Premium 12000 [INT] | 52 |
| 90286 | Aquarius Eco Premium 4500 [INT] | 50 | 56614 | Aquarius Universal Premium 4000 [INT] | 52 |
| 90287 | Aquarius Eco Premium 6500 [INT] | 50 | 56617 | Aquarius Universal Premium 5000 [INT] | 52 |
| 90289 | Aquarius Eco Premium 9500 [INT] | 50 | 56637 | Aquarius Universal Premium 6000 [INT] | 52 |
| 56332 | Aquarius Fountain Set 12000 [INT] | 348 | 56876 | Aquarius Universal Premium 9000 [INT] | 52 |
| 56315 | Aquarius Fountain Set 4000 [INT] | 348 | 57390 | Aquarius Universal Premium Eco 3000 [INT] | 54 |
| 56319 | Aquarius Fountain Set 6000 [INT] | 348 | 57392 | Aquarius Universal Premium Eco 4000 [INT] | 54 |
| 56323 | Aquarius Fountain Set 8000 [INT] | 348 | 51236 | AquaSkim 20 [INT] | 421 |
| 57438 | Aquarius Fountain Set Classic 1000 [GB] | 345 | 56907 | AquaSkim 40 [INT] | 421 |
| 57399 | Aquarius Fountain Set Classic 1000 [INT] | 345 | 51237 | AquaSkim Gravity [INT] | 422 |
| 57439 | Aquarius Fountain Set Classic 1500 [GB] | 345 | 47603 | BioPress 10000 [GB] | 287 |
| 57400 | Aquarius Fountain Set Classic 1500 [INT] | 345 | 47601 | BioPress 4000 [GB] | 285 |
| 77375 | Aquarius Fountain Set Classic 2000 E [GB] | 345 | 47602 | BioPress 6000 [GB] | 287 |
| 77371 | Aquarius Fountain Set Classic 2000 E [INT] | 345 | 50457 | BioPress Set 10000 [GB] | 291 |
| 57440 | Aquarius Fountain Set Classic 2500 [GB] | 345 | 50455 | BioPress Set 10000 [INT] | 291 |
| 57401 | Aquarius Fountain Set Classic 2500 [INT] | 345 | 57386 | BioPress Set 12000 [INT] | 294 |
| 77376 | Aquarius Fountain Set Classic 3000 E [GB] | 345 | 50504 | BioPress Set 4000 [GB] | 289 |
| 77372 | Aquarius Fountain Set Classic 3000 E [INT] | 345 | 50499 | BioPress Set 4000 [INT] | 289 |
| 57441 | Aquarius Fountain Set Classic 3500 [GB] | 345 | 50454 | BioPress Set 6000 [GB] | 291 |
| 57402 | Aquarius Fountain Set Classic 3500 [INT] | 345 | 50453 | BioPress Set 6000 [INT] | 291 |
| 77377 | Aquarius Fountain Set Classic 4000 E [GB] | 345 | 57385 | BioPress Set 8000 [INT] | 294 |
| 77374 | Aquarius Fountain Set Classic 4000 E [INT] | 345 | 56776 | BioSmart 18000 [INT] | 255 |
| 43042 | Aquarius Fountain Set Classic 750 [GB] | 345 | 56641 | BioSmart 36000 [INT] | 258 |
| 43041 | Aquarius Fountain Set Classic 750 [INT] | 345 | 50452 | BioSmart Set 14000 [GB] | 252 |
| 41924 | Aquarius Fountain Set Eco 5500 [GB] | 341 | 50451 | BioSmart Set 14000 [INT] | 252 |
| 41923 | Aquarius Fountain Set Eco 5500 [INT] | 341 | 56778 | BioSmart Set 18000 [GB] | 255 |
| 41926 | Aquarius Fountain Set Eco 7500 [GB] | 341 | 56777 | BioSmart Set 18000 [INT] | 255 |
| 41925 | Aquarius Fountain Set Eco 7500 [INT] | 341 | 56785 | BioSmart Set 24000 [GB] | 258 |
| 41928 | Aquarius Fountain Set Eco 9500 [GB] | 341 | 56781 | BioSmart Set 24000 [INT] | 258 |
| 41927 | Aquarius Fountain Set Eco 9500 [INT] | 341 | 56793 | BioSmart Set 36000 [GB] | 258 |
| 56889 | Aquarius Solar 1500 [INT] | 343 | 56789 | BioSmart Set 36000 [INT] | 258 |
| 56888 | Aquarius Solar 700 [INT] | 343 | 50525 | BioSmart Set 5000 [INT] | 262 |
| 36980 | Aquarius Universal Classic 1000 [GB] | 56 | 50450 | BioSmart Set 7000 [GB] | 252 |
| 36950 | Aquarius Universal Classic 1000 [INT] | 56 | 50449 | BioSmart Set 7000 [INT] | 262 |
| 90157 | Aquarius Universal Classic 1000 / 12 V [GB] | 63 | 57377 | BioSmart UVC 16000 [INT] | 252 |
| 90156 | Aquarius Universal Classic 1000 / 12 V [INT] | 63 | 57375 | BioSmart UVC 8000 [INT] | 262 |
| 36983 | Aquarius Universal Classic 1500 [GB] | 56 | 57137 | BioSys Skimmer + [INT] | 423 |
| 36951 | Aquarius Universal Classic 1500 [INT] | 56 | 55421 | BioTec 30 [INT] | 242 |
| 36978 | Aquarius Universal Classic 2000 [GB] | 56 | 56640 | BioTec 5.1 [INT] | 243 |
| 36953 | Aquarius Universal Classic 2000 [INT] | 56 | 56915 | BioTec Premium 80000 [GB] | 208 |
| 90222 | Aquarius Universal Classic 3000 [GB] | 58 | 56755 | BioTec Premium 80000 [INT] | 208 |
| 90221 | Aquarius Universal Classic 3000 [INT] | 58 | 54854 | BioTec Premium 80000 pump-fed OC [GB] | 200 |
| 36746 | Aquarius Universal Classic 440 [GB] | 55 | 54850 | BioTec Premium 80000 pump-fed OC [INT] | 200 |
| 36726 | Aquarius Universal Classic 440 [INT] | 55 | 57213 | BioTec ScreenMatic 12 [GB] | 234 |
| 36673 | Aquarius Universal Classic 440i [INT] | 55 | 57127 | BioTec ScreenMatic 12 [INT] | 234 |
| 36977 | Aquarius Universal Classic 600 [GB] | 56 | 51264 | BioTec ScreenMatic 36 [GB] | 237 |

| Item no. | Product | Page | Item no. | Product | Page |
|----------|--|------|----------|--|------|
| 51259 | BioTec ScreenMatic 36 [INT] | 237 | 77791 | FiltoClear 31000 [GB] | 274 |
| 57129 | BioTec ScreenMatic 36 [INT] | 240 | 77779 | FiltoClear 31000 [INT] | 274 |
| 57696 | BioTec ScreenMatic2 140000 [INT] | 225 | 77788 | FiltoClear 5000 [GB] | 269 |
| 93037 | BioTec ScreenMatic2 145000 [INT] | 229 | 77776 | FiltoClear 5000 [INT] | 269 |
| 57694 | BioTec ScreenMatic2 40000 [INT] | 216 | 56052 | FiltoClear 6000 [GB] | 264 |
| 57695 | BioTec ScreenMatic2 60000 [INT] | 216 | 55998 | FiltoClear 6000 [INT] | 264 |
| 46178 | BioTec ScreenMatic2 90000 [INT] | 221 | 50910 | FiltoMatic CWS 14000 [INT] | 247 |
| 57478 | Bitron 550 W [INT] | 320 | 50925 | FiltoMatic CWS 25000 [INT] | 247 |
| 56902 | Bitron C 110 W [INT] | 316 | 50228 | FiltoMatic CWS 3000 [INT] | 247 |
| 56620 | Bitron C 24 W [INT] | 314 | 50229 | FiltoMatic CWS 6000 [INT] | 247 |
| 56804 | Bitron C 24 W [INT] | 316 | 50909 | FiltoMatic CWS 7000 [GB] | 247 |
| 56368 | Bitron C 36 W [INT] | 314 | 50906 | FiltoMatic CWS 7000 [INT] | 247 |
| 56799 | Bitron C 36 W [INT] | 316 | 70236 | Filtral UVC 1500 [GB] | 297 |
| 56624 | Bitron C 55 W [INT] | 314 | 70233 | Filtral UVC 1500 [INT] | 296 |
| 56823 | Bitron C 55 W [INT] | 316 | 51232 | Filtral UVC 3000 [GB] | 302 |
| 56901 | Bitron C 72 W [INT] | 316 | 70237 | Filtral UVC 3000 [GB] | 300 |
| 56769 | Bitron Eco 120 W [INT] | 312 | 70234 | Filtral UVC 3000 [INT] | 298 |
| 56405 | Bitron Eco 180 W [INT] | 312 | 51233 | Filtral UVC 6000 [GB] | 304 |
| 56410 | Bitron Eco 240 W [INT] | 312 | 70238 | Filtral UVC 6000 [GB] | 300 |
| 50946 | Bitron Gravity 55 W [INT] | 319 | 70235 | Filtral UVC 6000 [INT] | 298 |
| 73375 | Bitron Premium 120 W [INT] | 308 | 51235 | Filtral UVC 9000 [GB] | 304 |
| 73376 | Bitron Premium 180 W [INT] | 310 | 70239 | Filtral UVC 9000 [GB] | 300 |
| 73374 | Bitron Premium 60 W [INT] | 306 | 75952 | Filtral UVC 9000 [INT] | 298 |
| 84166 | Copper Bowl Round 50 [INT] | 375 | 51243 | FlexiCut 2 in 1 [INT] | 438 |
| 84167 | Copper Bowl Round 60 [INT] | 375 | 42641 | Floating fountain illumination set RGB [INT] | 392 |
| 84168 | Copper Bowl Round 75 [INT] | 375 | 88264 | Fountain Ring LED Set [INT] | 404 |
| 84169 | Copper Bowl Round 90 [INT] | 375 | 55317 | Garden Controller Cloud [INT] | 382 |
| 84165 | Copper Bowl Square 50 [INT] | 375 | 55316 | Garden Controller Home [INT] | 382 |
| 84164 | Copper pedestal for copper bowls [INT] | 374 | 49992 | IceFree 4 Seasons [INT] | 340 |
| 88426 | Cube 60 CS [INT] | 373 | 51230 | IceFree Thermo 200 [INT] | 339 |
| 88427 | Cube 90 CS [INT] | 373 | 51231 | IceFree Thermo 330 [INT] | 339 |
| 40291 | EasyPick [INT] | 437 | 55860 | InScenio 230 [FR] | 386 |
| 89043 | Extension Pump Vault [INT] | 9 | 55433 | InScenio 230 [INT] | 386 |
| 56053 | FiltoClear 11000 [GB] | 264 | 55856 | InScenio FM-Master 1 [FR] | 386 |
| 55999 | FiltoClear 11000 [INT] | 264 | 54978 | InScenio FM-Master 1 [INT] | 386 |
| 51245 | FiltoClear 12000 [GB] | 280 | 55858 | InScenio FM-Master 2 [FR] | 386 |
| 51244 | FiltoClear 12000 [INT] | 280 | 36310 | InScenio FM-Master 2 [INT] | 386 |
| 77789 | FiltoClear 13000 [GB] | 269 | 55859 | InScenio FM-Master 3 [FR] | 386 |
| 77777 | FiltoClear 13000 [INT] | 269 | 56473 | InScenio FM-Master 3 [GB] | 386 |
| 56826 | FiltoClear 15000 [GB] | 264 | 36311 | InScenio FM-Master 3 [INT] | 386 |
| 51248 | FiltoClear 16000 [GB] | 280 | 70790 | InScenio FM-Master Cloud [FR] | 383 |
| 51247 | FiltoClear 16000 [INT] | 280 | 70789 | InScenio FM-Master Cloud [GB] | 383 |
| 77790 | FiltoClear 19000 [GB] | 274 | 70788 | InScenio FM-Master Cloud [INT] | 383 |
| 77778 | FiltoClear 19000 [INT] | 274 | 70787 | InScenio FM-Master Home [FR] | 383 |
| 50580 | FiltoClear 20000 [GB] | 280 | 70786 | InScenio FM-Master Home [GB] | 383 |
| 50576 | FiltoClear 20000 [INT] | 280 | 70785 | InScenio FM-Master Home [INT] | 383 |
| 56051 | FiltoClear 3000 [GB] | 264 | 40245 | InScenio FM-Master WLAN [FR] | 383 |
| 55997 | FiltoClear 3000 [INT] | 264 | 40244 | InScenio FM-Master WLAN [GB] | 383 |
| 50581 | FiltoClear 30000 [GB] | 280 | 40243 | InScenio FM-Master WLAN [INT] | 383 |
| 50577 | FiltoClear 30000 [INT] | 280 | 47037 | InScenio FM-Master WLAN EGC [FR] | 383 |

| Item no. | Product | Page | Item no. | Product | Page |
|----------|--|------|----------|--|------|
| 47036 | InScenio FM-Master WLAN EGC [GB] | 383 | 47040 | OASE Control connection cable 10.0 m [INT] | 413 |
| 47035 | InScenio FM-Master WLAN EGC [INT] | 383 | 47038 | OASE Control connection cable 2.5 m [INT] | 413 |
| 56886 | InScenio FM-Profimaster [INT] | 386 | 72713 | OASE Control connection cable 30.0 m [INT] | 413 |
| 50053 | JumpingJet Rainbow Star Add-on Set [INT] | 350 | 47039 | OASE Control connection cable 5.0 m [INT] | 413 |
| 50052 | JumpingJet Rainbow Star Set [INT] | 350 | 50290 | OxyTex 1000 [INT] | 338 |
| 42637 | LED-Floating Fountain Illumination white [INT] | 397 | 50443 | OxyTex 400 [INT] | 338 |
| 75074 | LunaLed 6s [GB] | 407 | 57075 | PondJet [INT] | 371 |
| 50114 | LunaLed 6s [INT] | 407 | 72930 | PondJet Eco [GB] | 365 |
| 75075 | LunaLed 9s [GB] | 407 | 57704 | PondJet Eco [INT] | 365 |
| 50115 | LunaLed 9s [INT] | 407 | 95473 | PondJet Eco Premium [GB] | 362 |
| 50407 | LunaLed Creative Set [INT] | 361 | 95472 | PondJet Eco Premium [INT] | 362 |
| 54034 | LunAqua 10 [INT] | 411 | 37148 | PondoVac 3 [GB] | 433 |
| 50366 | LunAqua 10 LED /01 [INT] | 408 | 37102 | PondoVac 3 [INT] | 433 |
| 57034 | LunAqua 3 LED Set 1 [INT] | 401 | 42939 | PondoVac 4 [GB] | 430 |
| 57035 | LunAqua 3 LED Set 3 [INT] | 401 | 50391 | PondoVac 4 [GB] | 430 |
| 56903 | LunAqua 3 Set 1 [INT] | 409 | 50388 | PondoVac 4 [INT] | 430 |
| 50527 | LunAqua Classic LED Set 1 [INT] | 402 | 41983 | PondoVac 5 [GB] | 426 |
| 50530 | LunAqua Classic LED Set 3 [INT] | 402 | 41982 | PondoVac 5 [INT] | 426 |
| 87022 | LunAqua Connect L Solo white [INT] | 388 | 50110 | PondoVac Classic [GB] | 436 |
| 87501 | LunAqua Connect M Set 3 [INT] | 388 | 50529 | PondoVac Classic [INT] | 436 |
| 74336 | LunAqua Connect M Solo RGB [INT] | 388 | 41388 | PondoVac Premium [GB] | 424 |
| 87019 | LunAqua Connect M Solo white [INT] | 388 | 40256 | PondoVac Premium [INT] | 424 |
| 96551 | LunAqua Connect M Solo White Cable 10 m [INT] | 388 | 50078 | Profi Pond net [INT] | 439 |
| 87506 | LunAqua Connect S Set 3 [INT] | 388 | 73368 | ProfiCl. Prem. XL discharge module grav. [INT] | 121 |
| 87020 | LunAqua Connect S Solo white [INT] | 388 | 73369 | ProfiCl. Prem. XL discharge module pump [INT] | 119 |
| 74350 | LunAqua Connect Starter Set Controllable [INT] | 388 | 51064 | ProfiClear Classic coarse debris extrac. [INT] | 178 |
| 50507 | LunAqua Maxi LED Set 1 [INT] | 399 | 51065 | ProfiClear Classic filter foam module [INT] | 176 |
| 50508 | LunAqua Maxi LED Set 3 [INT] | 399 | 51066 | ProfiClear Classic phosphate binder mod. [INT] | 180 |
| 50509 | LunAqua Maxi LED Solo [INT] | 399 | 51061 | ProfiClear Classic pump chamber [INT] | 182 |
| 40290 | LunAqua Micro Eco Set [INT] | 410 | 56897 | ProfiClear Classic pump chamber [INT] | 183 |
| 50512 | LunAqua Mini LED [INT] | 400 | 50951 | ProfiClear Guard [INT] | 7 |
| 50513 | LunAqua Mini LED warm [INT] | 400 | 87166 | ProfiClear Prem. Standing Bed Module XL [INT] | 172 |
| 57821 | LunAqua Power LED Driver 3 m [INT] | 398 | 42912 | ProfiClear Premium Compact gravity [GB] | 89 |
| 42633 | LunAqua Power LED Set 1 [INT] | 395 | 42910 | ProfiClear Premium Compact gravity [INT] | 89 |
| 42634 | LunAqua Power LED Set 3 [INT] | 395 | 42907 | ProfiClear Premium Compact pump-fed [GB] | 77 |
| 42635 | LunAqua Power LED W [INT] | 395 | 42906 | ProfiClear Premium Compact pump-fed [INT] | 77 |
| 57762 | LunAqua Power LED XL 3000 Flood [INT] | 390 | 49982 | ProfiClear Premium Compact-L gravity OC [GB] | 108 |
| 51968 | LunAqua Power LED XL 3000 Narrow Spot [INT] | 390 | 49981 | ProfiClear Premium Compact-L gravity OC [INT] | 108 |
| 57763 | LunAqua Power LED XL 3000 Spot [INT] | 390 | 49980 | ProfiClear Premium Compact-L pumped OC [GB] | 99 |
| 57764 | LunAqua Power LED XL 3000 Wide Flood [INT] | 390 | 49979 | ProfiClear Premium Compact-L pumped OC [INT] | 99 |
| 51969 | LunAqua Power LED XL 4000 Flood [INT] | 390 | 47011 | ProfiClear Premium Compact-M gravity OC [GB] | 89 |
| 51970 | LunAqua Power LED XL 4000 Narrow Spot [INT] | 390 | 47010 | ProfiClear Premium Compact-M gravity OC [INT] | 89 |
| 51971 | LunAqua Power LED XL 4000 Spot [INT] | 390 | 47009 | ProfiClear Premium Compact-M pumped OC [GB] | 77 |
| 51978 | LunAqua Power LED XL 4000 Wide Flood [INT] | 390 | 47008 | ProfiClear Premium Compact-M pumped OC [INT] | 77 |
| 51043 | LunAqua Terra LED Set 3 [INT] | 403 | 47006 | ProfiClear Premium DF-L gravity-fed OC [GB] | 148 |
| 50729 | LunAqua Terra LED Set 6 [INT] | 403 | 47005 | ProfiClear Premium DF-L gravity-fed OC [INT] | 148 |
| 50371 | MAXI II 4.0 kW / 400 V [INT] | 369 | 47004 | ProfiClear Premium DF-L pump-fed OC [GB] | 140 |
| 50365 | MIDI II 1.1 kW / 230 V [INT] | 369 | 47003 | ProfiClear Premium DF-L pump-fed OC [INT] | 140 |
| 88443 | OASE Control Adaptor [INT] | 414 | | | |

| Item no. | Product | Page | Item no. | Product | Page |
|----------|--|------|----------|--|------|
| 73364 | ProfiClear Premium DF-XL gravity OC [GB] | 130 | 42273 | ProMax MudDrain 14000 [GB] | 461 |
| 73363 | ProfiClear Premium DF-XL gravity OC [INT] | 130 | 42268 | ProMax MudDrain 14000 [INT] | 461 |
| 73366 | ProfiClear Premium DF-XL pump-fed OC [GB] | 123 | 42274 | ProMax MudDrain 20000 [GB] | 459 |
| 73365 | ProfiClear Premium DF-XL pump-fed OC [INT] | 123 | 57769 | ProMax MudDrain 20000 [GB] | 458 |
| 87165 | ProfiClear Premium Discharge Module L [INT] | 174 | 42269 | ProMax MudDrain 20000 [INT] | 459 |
| 56775 | ProfiClear Premium drum filter gravity [GB] | 163 | 57766 | ProMax MudDrain 20000 [INT] | 458 |
| 56774 | ProfiClear Premium drum filter gravity [INT] | 163 | 42275 | ProMax MudDrain 25000 [GB] | 459 |
| 50774 | ProfiClear Premium drum filter pump-fed [GB] | 155 | 57770 | ProMax MudDrain 25000 [GB] | 459 |
| 50773 | ProfiClear Premium drum filter pump-fed [INT] | 155 | 42270 | ProMax MudDrain 25000 [INT] | 459 |
| 75218 | ProfiClear Premium Fleece 500 [INT] | 185 | 57767 | ProMax MudDrain 25000 [INT] | 459 |
| 75219 | ProfiClear Premium Fleece 750 [INT] | 192 | 57771 | ProMax MudDrain 30000 [GB] | 459 |
| 50771 | ProfiClear Premium Individual Module [INT] | 73 | 57768 | ProMax MudDrain 30000 [INT] | 459 |
| 50772 | ProfiClear Premium Moving Bed Module [INT] | 116 | 47748 | ProMax MudDrain 6000 [INT] | 463 |
| 87164 | ProfiClear Premium Standing Bed Module L [INT] | 170 | 42271 | ProMax MudDrain 7000 [GB] | 461 |
| 73367 | ProfiClear Premium XL Moving Bed [INT] | 137 | 42266 | ProMax MudDrain 7000 [INT] | 461 |
| 76557 | ProfiClear Premium XL Moving Bed Hel-X [INT] | 137 | 57774 | ProMax Pressure Automatic 5500/5 [INT] | 448 |
| 42913 | ProfiClear pump chamber Compact/Classic [INT] | 69 | 43135 | ProMax Pressure Automatic 6000/8 [GB] | 448 |
| 57094 | ProfiClear Screendrive [INT] | 184 | 43133 | ProMax Pressure Automatic 6000/8 [INT] | 448 |
| 56898 | ProfiLux 100 E [INT] | 412 | 57775 | ProMax Pressure Cistern 6000/6 [INT] | 452 |
| 42640 | ProfiLux Garden LED cable 7.5 m [INT] | 393 | 70896 | ProMax Pressure Well 3000/18 [INT] | 449 |
| 42639 | ProfiLux Garden LED controller [INT] | 394 | 57773 | ProMax Pressure Well 6500/10 [INT] | 449 |
| 42638 | ProfiLux Garden LED RGB [INT] | 391 | 73362 | ProMax Pressure Well Automatic 3000/15 [INT] | 450 |
| 57134 | ProfiSkim 100 [INT] | 416 | 43134 | ProMax Pressure Well Automatic 6000/8 [INT] | 451 |
| 51185 | ProfiSkim Premium [INT] | 417 | 47751 | ProMax Rain 4000 [GB] | 453 |
| 70895 | ProfiSkim Wall 100 [INT] | 418 | 47750 | ProMax Rain 4000 [INT] | 453 |
| 42264 | ProMax ClearDrain 11000 [GB] | 455 | 87096 | Pump Vault 20000 [INT] | 9 |
| 42261 | ProMax ClearDrain 11000 [INT] | 455 | 89042 | Pump Vault 60000 [INT] | 9 |
| 42265 | ProMax ClearDrain 14000 [GB] | 455 | 57480 | Skimmer 250 [INT] | 415 |
| 42262 | ProMax ClearDrain 14000 [INT] | 455 | 57239 | Spare parts case [INT] | 68 |
| 47746 | ProMax ClearDrain 6000 [INT] | 457 | 15329 | Spare pump FP 1500 [INT] | 67 |
| 42263 | ProMax ClearDrain 7000 [GB] | 455 | 13745 | Spare pump FP 2500 [INT] | 67 |
| 42260 | ProMax ClearDrain 7000 [INT] | 455 | 13742 | Spare pump FP 3500 [INT] | 67 |
| 43122 | ProMax Garden 3500 [INT] | 445 | 50124 | SwimSkim 25 [GB] | 419 |
| 43123 | ProMax Garden 5000 [INT] | 445 | 57384 | SwimSkim 25 [INT] | 419 |
| 43124 | ProMax Garden 6000/5 [INT] | 445 | 50170 | SwimSkim 50 [INT] | 420 |
| 43129 | ProMax Garden Automatic 3500 [GB] | 442 | 50588 | Vitronic 11 W [GB] | 322 |
| 43125 | ProMax Garden Automatic 3500 [INT] | 442 | 57370 | Vitronic 11 W [INT] | 322 |
| 43130 | ProMax Garden Automatic 4000 [GB] | 442 | 88108 | Vitronic 11 W [INT] | 322 |
| 43126 | ProMax Garden Automatic 4000 [INT] | 442 | 56837 | Vitronic 18 W [INT] | 323 |
| 43131 | ProMax Garden Automatic 5000 [GB] | 442 | 56869 | Vitronic 24 W [INT] | 323 |
| 43127 | ProMax Garden Automatic 5000 [INT] | 442 | 56885 | Vitronic 36 W [INT] | 323 |
| 43132 | ProMax Garden Automatic 6000/5 [GB] | 442 | 50591 | Vitronic 55 W [GB] | 323 |
| 43128 | ProMax Garden Automatic 6000/5 [INT] | 442 | 57373 | Vitronic 55 W [INT] | 323 |
| 43120 | ProMax Garden Classic 3000 [GB] | 447 | 88263 | Wall Spout LED Set [INT] | 405 |
| 43118 | ProMax Garden Classic 3000 [INT] | 447 | 89045 | Water diverter 1 1/4" [INT] | 10 |
| 43121 | ProMax Garden Classic 4500 [GB] | 447 | 50191 | Water Jet Lightning [INT] | 352 |
| 43119 | ProMax Garden Classic 4500 [INT] | 447 | 50187 | Water Quintet [INT] | 355 |
| 42272 | ProMax MudDrain 11000 [GB] | 461 | 50394 | Water Quintet Creative [INT] | 357 |
| 42267 | ProMax MudDrain 11000 [INT] | 461 | 72941 | Water reservoir Wall 60 [INT] | 8 |
| | | | 72942 | Water reservoir Wall 90 [INT] | 8 |

| Item no. | Product | Page |
|-----------------|---------------------------------|-------------|
| 50214 | Water Starlet [INT] | 360 |
| 50240 | Water Trio [INT] | 358 |
| 50704 | Waterfall 30 [INT] | 378 |
| 50585 | Waterfall 60 [INT] | 378 |
| 50706 | Waterfall 90 [INT] | 378 |
| 51205 | Waterfall Illumination 30 [INT] | 406 |
| 51209 | Waterfall Illumination 60 [INT] | 406 |
| 51980 | Waterfall Illumination 90 [INT] | 406 |
| 70774 | Waterfall Kit 30 [INT] | 376 |
| 70775 | Waterfall Kit 60 [INT] | 376 |
| 50584 | Waterfall Set 30 [INT] | 378 |
| 51163 | Waterfall Set 60 Solo [INT] | 378 |
| 70771 | Waterfall XL 30 [INT] | 381 |
| 70772 | Waterfall XL 60 [INT] | 381 |
| 70773 | Waterfall XL 90 [INT] | 381 |
| 44539 | WaterTank 22 l [INT] | 454 |
| 44540 | WaterTank 50 l [INT] | 454 |

| Item no. | Product | Page | Item no. | Product | Page |
|----------|---------------------------------------|------|----------|--|------|
| 13742 | Spare pump FP 3500 [INT] | 67 | 42267 | ProMax MudDrain 11000 [INT] | 461 |
| 13745 | Spare pump FP 2500 [INT] | 67 | 42268 | ProMax MudDrain 14000 [INT] | 461 |
| 15329 | Spare pump FP 1500 [INT] | 67 | 42269 | ProMax MudDrain 20000 [INT] | 459 |
| 20225 | AquaMax Eco Classic 2500 E [INT] | 44 | 42270 | ProMax MudDrain 25000 [INT] | 459 |
| 20241 | AquaMax Eco Classic 2500 E [GB] | 44 | 42271 | ProMax MudDrain 7000 [GB] | 461 |
| 20249 | AquaMax Eco Classic 3500 E [INT] | 44 | 42272 | ProMax MudDrain 11000 [GB] | 461 |
| 20264 | AquaMax Eco Classic 3500 E [GB] | 44 | 42273 | ProMax MudDrain 14000 [GB] | 461 |
| 34064 | AquaOxy 250 [INT] | 332 | 42274 | ProMax MudDrain 20000 [GB] | 459 |
| 36310 | InScenio FM-Master 2 [INT] | 386 | 42275 | ProMax MudDrain 25000 [GB] | 459 |
| 36311 | InScenio FM-Master 3 [INT] | 386 | 42404 | Aquarius Eco Expert 28000 [INT] | 46 |
| 36673 | Aquarius Universal Classic 440i [INT] | 55 | 42405 | Aquarius Eco Expert 22000 [INT] | 46 |
| 36726 | Aquarius Universal Classic 440 [INT] | 55 | 42633 | LunAqua Power LED Set 1 [INT] | 395 |
| 36746 | Aquarius Universal Classic 440 [GB] | 55 | 42634 | LunAqua Power LED Set 3 [INT] | 395 |
| 36950 | Aquarius Universal Classic 1000 [INT] | 56 | 42635 | LunAqua Power LED W [INT] | 395 |
| 36951 | Aquarius Universal Classic 1500 [INT] | 56 | 42637 | LED-Floating Fountain Illumination white [INT] | 397 |
| 36953 | Aquarius Universal Classic 2000 [INT] | 56 | 42638 | ProfiLux Garden LED RGB [INT] | 391 |
| 36975 | Aquarius Universal Classic 600 [INT] | 56 | 42639 | ProfiLux Garden LED controller [INT] | 394 |
| 36977 | Aquarius Universal Classic 600 [GB] | 56 | 42640 | ProfiLux Garden LED cable 7.5 m [INT] | 393 |
| 36978 | Aquarius Universal Classic 2000 [GB] | 56 | 42641 | Floating fountain illumination set RGB [INT] | 392 |
| 36980 | Aquarius Universal Classic 1000 [GB] | 56 | 42906 | ProfiClear Premium Compact pump-fed [INT] | 77 |
| 36983 | Aquarius Universal Classic 1500 [GB] | 56 | 42907 | ProfiClear Premium Compact pump-fed [GB] | 77 |
| 37102 | PondoVac 3 [INT] | 433 | 42910 | ProfiClear Premium Compact gravity [INT] | 89 |
| 37125 | AquaOxy 1000 [INT] | 334 | 42912 | ProfiClear Premium Compact gravity [GB] | 89 |
| 37148 | PondoVac 3 [GB] | 433 | 42913 | ProfiClear pump chamber Compact/Classic [INT] | 69 |
| 39916 | AquaMax Eco Expert 21000 [INT] | 17 | 42939 | PondoVac 4 [GB] | 430 |
| 39917 | AquaMax Eco Expert 26000 [INT] | 17 | 43041 | Aquarius Fountain Set Classic 750 [INT] | 345 |
| 39918 | AquaMax Eco Titanium 50000 [INT] | 15 | 43042 | Aquarius Fountain Set Classic 750 [GB] | 345 |
| 40243 | InScenio FM-Master WLAN [INT] | 383 | 43118 | ProMax Garden Classic 3000 [INT] | 447 |
| 40244 | InScenio FM-Master WLAN [GB] | 383 | 43119 | ProMax Garden Classic 4500 [INT] | 447 |
| 40245 | InScenio FM-Master WLAN [FR] | 383 | 43120 | ProMax Garden Classic 3000 [GB] | 447 |
| 40247 | AquaMax Eco Control [INT] | 64 | 43121 | ProMax Garden Classic 4500 [GB] | 447 |
| 40256 | PondoVac Premium [INT] | 424 | 43122 | ProMax Garden 3500 [INT] | 445 |
| 40290 | LunAqua Micro Eco Set [INT] | 410 | 43123 | ProMax Garden 5000 [INT] | 445 |
| 40291 | EasyPick [INT] | 437 | 43124 | ProMax Garden 6000/5 [INT] | 445 |
| 41388 | PondoVac Premium [GB] | 424 | 43125 | ProMax Garden Automatic 3500 [INT] | 442 |
| 41923 | Aquarius Fountain Set Eco 5500 [INT] | 341 | 43126 | ProMax Garden Automatic 4000 [INT] | 442 |
| 41924 | Aquarius Fountain Set Eco 5500 [GB] | 341 | 43127 | ProMax Garden Automatic 5000 [INT] | 442 |
| 41925 | Aquarius Fountain Set Eco 7500 [INT] | 341 | 43128 | ProMax Garden Automatic 6000/5 [INT] | 442 |
| 41926 | Aquarius Fountain Set Eco 7500 [GB] | 341 | 43129 | ProMax Garden Automatic 3500 [GB] | 442 |
| 41927 | Aquarius Fountain Set Eco 9500 [INT] | 341 | 43130 | ProMax Garden Automatic 4000 [GB] | 442 |
| 41928 | Aquarius Fountain Set Eco 9500 [GB] | 341 | 43131 | ProMax Garden Automatic 5000 [GB] | 442 |
| 41982 | PondoVac 5 [INT] | 426 | 43132 | ProMax Garden Automatic 6000/5 [GB] | 442 |
| 41983 | PondoVac 5 [GB] | 426 | 43133 | ProMax Pressure Automatic 6000/8 [INT] | 448 |
| 42260 | ProMax ClearDrain 7000 [INT] | 455 | 43134 | ProMax Pressure Well Automatic 6000/8 [INT] | 451 |
| 42261 | ProMax ClearDrain 11000 [INT] | 455 | 43135 | ProMax Pressure Automatic 6000/8 [GB] | 448 |
| 42262 | ProMax ClearDrain 14000 [INT] | 455 | 44539 | WaterTank 22 l [INT] | 454 |
| 42263 | ProMax ClearDrain 7000 [GB] | 455 | 44540 | WaterTank 50 l [INT] | 454 |
| 42264 | ProMax ClearDrain 11000 [GB] | 455 | 46178 | BioTec ScreenMatic2 90000 [INT] | 221 |
| 42265 | ProMax ClearDrain 14000 [GB] | 455 | 47003 | ProfiClear Premium DF-L pump-fed OC [INT] | 140 |
| 42266 | ProMax MudDrain 7000 [INT] | 461 | 47004 | ProfiClear Premium DF-L pump-fed OC [GB] | 140 |

| Item no. | Product | Page | Item no. | Product | Page |
|----------|---|------|----------|--|------|
| 47005 | ProfiClear Premium DF-L gravity-fed OC [INT] | 148 | 50371 | MAXI II 4.0 kW / 400 V [INT] | 369 |
| 47006 | ProfiClear Premium DF-L gravity-fed OC [GB] | 148 | 50382 | AquaMax Eco Premium 12000 / 12 V [INT] | 61 |
| 47008 | ProfiClear Premium Compact-M pumped OC [INT] | 77 | 50388 | PondoVac 4 [INT] | 430 |
| 47009 | ProfiClear Premium Compact-M pumped OC [GB] | 77 | 50391 | PondoVac 4 [GB] | 430 |
| 47010 | ProfiClear Premium Compact-M gravity OC [INT] | 89 | 50393 | AquaMax Dry 6000 [INT] | 21 |
| 47011 | ProfiClear Premium Compact-M gravity OC [GB] | 89 | 50394 | Water Quintet Creative [INT] | 357 |
| 47028 | AquaMax Eco Titanium 30000 [INT] | 14 | 50398 | AquaOxy 4800 [INT] | 335 |
| 47035 | InScenio FM-Master WLAN EGC [INT] | 383 | 50407 | LunaLed Creative Set [INT] | 361 |
| 47036 | InScenio FM-Master WLAN EGC [GB] | 383 | 50443 | OxyTex 400 [INT] | 338 |
| 47037 | InScenio FM-Master WLAN EGC [FR] | 383 | 50448 | AquaMax Dry 16000 [GB] | 21 |
| 47038 | OASE Control connection cable 2.5 m [INT] | 413 | 50449 | BioSmart Set 7000 [INT] | 262 |
| 47039 | OASE Control connection cable 5.0 m [INT] | 413 | 50450 | BioSmart Set 7000 [GB] | 252 |
| 47040 | OASE Control connection cable 10.0 m [INT] | 413 | 50451 | BioSmart Set 14000 [INT] | 252 |
| 47601 | BioPress 4000 [GB] | 285 | 50452 | BioSmart Set 14000 [GB] | 252 |
| 47602 | BioPress 6000 [GB] | 287 | 50453 | BioPress Set 6000 [INT] | 291 |
| 47603 | BioPress 10000 [GB] | 287 | 50454 | BioPress Set 6000 [GB] | 291 |
| 47746 | ProMax ClearDrain 6000 [INT] | 457 | 50455 | BioPress Set 10000 [INT] | 291 |
| 47748 | ProMax MudDrain 6000 [INT] | 463 | 50457 | BioPress Set 10000 [GB] | 291 |
| 47750 | ProMax Rain 4000 [INT] | 453 | 50499 | BioPress Set 4000 [INT] | 289 |
| 47751 | ProMax Rain 4000 [GB] | 453 | 50504 | BioPress Set 4000 [GB] | 289 |
| 49979 | ProfiClear Premium Compact-L pumped OC [INT] | 99 | 50507 | LunAqua Maxi LED Set 1 [INT] | 399 |
| 49980 | ProfiClear Premium Compact-L pumped OC [GB] | 99 | 50508 | LunAqua Maxi LED Set 3 [INT] | 399 |
| 49981 | ProfiClear Premium Compact-L gravity OC [INT] | 108 | 50509 | LunAqua Maxi LED Solo [INT] | 399 |
| 49982 | ProfiClear Premium Compact-L gravity OC [GB] | 108 | 50512 | LunAqua Mini LED [INT] | 400 |
| 49992 | IceFree 4 Seasons [INT] | 340 | 50513 | LunAqua Mini LED warm [INT] | 400 |
| 50052 | JumpingJet Rainbow Star Set [INT] | 350 | 50525 | BioSmart Set 5000 [INT] | 262 |
| 50053 | JumpingJet Rainbow Star Add-on Set [INT] | 350 | 50527 | LunAqua Classic LED Set 1 [INT] | 402 |
| 50066 | AquaMax Dry 8000 [INT] | 21 | 50529 | PondoVac Classic [INT] | 436 |
| 50068 | AquaMax Dry 14000 [INT] | 21 | 50530 | LunAqua Classic LED Set 3 [INT] | 402 |
| 50069 | AquaMax Dry 8000 [GB] | 21 | 50532 | AquaOxy 240 [INT] | 331 |
| 50078 | Profi Pond net [INT] | 439 | 50571 | AquaActiv Water analysis Profi-Set [INT] | 440 |
| 50110 | PondoVac Classic [GB] | 436 | 50576 | FiltoClear 20000 [INT] | 280 |
| 50114 | LunaLed 6s [INT] | 407 | 50577 | FiltoClear 30000 [INT] | 280 |
| 50115 | LunaLed 9s [INT] | 407 | 50580 | FiltoClear 20000 [GB] | 280 |
| 50124 | SwimSkim 25 [GB] | 419 | 50581 | FiltoClear 30000 [GB] | 280 |
| 50170 | SwimSkim 50 [INT] | 420 | 50584 | Waterfall Set 30 [INT] | 378 |
| 50183 | AirFlo 1.5 kW / 230 V [INT] | 329 | 50585 | Waterfall 60 [INT] | 378 |
| 50185 | AirFlo 4.0 kW / 400 V [INT] | 330 | 50588 | Vitronic 11 W [GB] | 322 |
| 50187 | Water Quintet [INT] | 355 | 50591 | Vitronic 55 W [GB] | 323 |
| 50191 | Water Jet Lightning [INT] | 352 | 50704 | Waterfall 30 [INT] | 378 |
| 50214 | Water Starlet [INT] | 360 | 50706 | Waterfall 90 [INT] | 378 |
| 50228 | FiltoMatic CWS 3000 [INT] | 247 | 50708 | AquaMax Eco Twin 20000 [INT] | 22 |
| 50229 | FiltoMatic CWS 6000 [INT] | 247 | 50710 | AquaMax Eco Twin 30000 [INT] | 22 |
| 50240 | Water Trio [INT] | 358 | 50729 | LunAqua Terra LED Set 6 [INT] | 403 |
| 50290 | OxyTex 1000 [INT] | 338 | 50730 | AquaMax Eco Premium 6000 / 12 V [INT] | 60 |
| 50365 | MIDI II 1.1 kW / 230 V [INT] | 369 | 50734 | AquaMax Eco Premium 4000 [INT] | 24 |
| 50366 | LunAqua 10 LED /01 [INT] | 408 | 50735 | AquaMax Eco Premium 4000 [GB] | 24 |
| | | | 50736 | AquaMax Eco Premium 6000 [INT] | 24 |
| | | | 50739 | AquaMax Eco Premium 6000 [GB] | 24 |
| | | | 50740 | AquaMax Eco Premium 8000 [INT] | 24 |

| Item no. | Product | Page |
|----------|--|------|
| 50741 | AquaMax Eco Premium 8000 [GB] | 24 |
| 50742 | AquaMax Eco Premium 12000 [INT] | 28 |
| 50743 | AquaMax Eco Premium 12000 [GB] | 28 |
| 50745 | AquaMax Eco Premium 16000 [INT] | 28 |
| 50746 | AquaMax Eco Premium 16000 [GB] | 28 |
| 50771 | ProfiClear Premium Individual Module [INT] | 73 |
| 50772 | ProfiClear Premium Moving Bed Module [INT] | 116 |
| 50773 | ProfiClear Premium drum filter pump-fed [INT] | 155 |
| 50774 | ProfiClear Premium drum filter pump-fed [GB] | 155 |
| 50906 | FiltoMatic CWS 7000 [INT] | 247 |
| 50909 | FiltoMatic CWS 7000 [GB] | 247 |
| 50910 | FiltoMatic CWS 14000 [INT] | 247 |
| 50925 | FiltoMatic CWS 25000 [INT] | 247 |
| 50946 | Bitron Gravity 55 W [INT] | 319 |
| 50951 | ProfiClear Guard [INT] | 7 |
| 51043 | LunAqua Terra LED Set 3 [INT] | 403 |
| 51061 | ProfiClear Classic pump chamber [INT] | 182 |
| 51064 | ProfiClear Classic coarse debris extrac. [INT] | 178 |
| 51065 | ProfiClear Classic filter foam module [INT] | 176 |
| 51066 | ProfiClear Classic phosphate binder mod. [INT] | 180 |
| 51078 | AquaMax Eco Premium 10000 [INT] | 24 |
| 51085 | AquaMax Eco Premium 10000 [GB] | 24 |
| 51092 | AquaMax Eco Classic 3500 [INT] | 41 |
| 51094 | AquaMax Eco Classic 3500 [GB] | 41 |
| 51096 | AquaMax Eco Classic 5500 [INT] | 41 |
| 51098 | AquaMax Eco Classic 5500 [GB] | 41 |
| 51099 | AquaMax Eco Classic 8500 [INT] | 41 |
| 51100 | AquaMax Eco Classic 8500 [GB] | 41 |
| 51102 | AquaMax Eco Classic 11500 [INT] | 41 |
| 51103 | AquaMax Eco Classic 11500 [GB] | 41 |
| 51104 | AquaMax Eco Classic 14500 [INT] | 41 |
| 51109 | AquaMax Eco Classic 14500 [GB] | 41 |
| 51163 | Waterfall Set 60 Solo [INT] | 378 |
| 51185 | ProfiSkim Premium [INT] | 417 |
| 51205 | Waterfall Illumination 30 [INT] | 406 |
| 51209 | Waterfall Illumination 60 [INT] | 406 |
| 51230 | IceFree Thermo 200 [INT] | 339 |
| 51231 | IceFree Thermo 330 [INT] | 339 |
| 51232 | Filtral UVC 3000 [GB] | 302 |
| 51233 | Filtral UVC 6000 [GB] | 304 |
| 51235 | Filtral UVC 9000 [GB] | 304 |
| 51236 | AquaSkim 20 [INT] | 421 |
| 51237 | AquaSkim Gravity [INT] | 422 |
| 51243 | FlexiCut 2 in 1 [INT] | 438 |
| 51244 | FiltoClear 12000 [INT] | 280 |
| 51245 | FiltoClear 12000 [GB] | 280 |
| 51247 | FiltoClear 16000 [INT] | 280 |
| 51248 | FiltoClear 16000 [GB] | 280 |
| 51259 | BioTec ScreenMatic 36 [INT] | 237 |
| 51264 | BioTec ScreenMatic 36 [GB] | 237 |

| Item no. | Product | Page |
|----------|---|------|
| 51968 | LunAqua Power LED XL 3000 Narrow Spot [INT] | 390 |
| 51969 | LunAqua Power LED XL 4000 Flood [INT] | 390 |
| 51970 | LunAqua Power LED XL 4000 Narrow Spot [INT] | 390 |
| 51971 | LunAqua Power LED XL 4000 Spot [INT] | 390 |
| 51978 | LunAqua Power LED XL 4000 Wide Flood [INT] | 390 |
| 51980 | Waterfall Illumination 90 [INT] | 406 |
| 54034 | LunAqua 10 [INT] | 411 |
| 54612 | Aquarius Eco Expert 36000 [INT] | 47 |
| 54613 | Aquarius Eco Expert 44000 [INT] | 47 |
| 54614 | AquaMax Eco Expert 36000 [INT] | 18 |
| 54615 | AquaMax Eco Expert 44000 [INT] | 18 |
| 54850 | BioTec Premium 80000 pump-fed OC [INT] | 200 |
| 54854 | BioTec Premium 80000 pump-fed OC [GB] | 200 |
| 54978 | InScenio FM-Master 1 [INT] | 386 |
| 55313 | AquaMax Eco Expert 20000 / 12 V [INT] | 59 |
| 55316 | Garden Controller Home [INT] | 382 |
| 55317 | Garden Controller Cloud [INT] | 382 |
| 55421 | BioTec 30 [INT] | 242 |
| 55433 | InScenio 230 [INT] | 386 |
| 55856 | InScenio FM-Master 1 [FR] | 386 |
| 55858 | InScenio FM-Master 2 [FR] | 386 |
| 55859 | InScenio FM-Master 3 [FR] | 386 |
| 55860 | InScenio 230 [FR] | 386 |
| 55997 | FiltoClear 3000 [INT] | 264 |
| 55998 | FiltoClear 6000 [INT] | 264 |
| 55999 | FiltoClear 11000 [INT] | 264 |
| 56051 | FiltoClear 3000 [GB] | 264 |
| 56052 | FiltoClear 6000 [GB] | 264 |
| 56053 | FiltoClear 11000 [GB] | 264 |
| 56315 | Aquarius Fountain Set 4000 [INT] | 348 |
| 56319 | Aquarius Fountain Set 6000 [INT] | 348 |
| 56323 | Aquarius Fountain Set 8000 [INT] | 348 |
| 56332 | Aquarius Fountain Set 12000 [INT] | 348 |
| 56368 | Bitron C 36 W [INT] | 314 |
| 56405 | Bitron Eco 180 W [INT] | 312 |
| 56406 | AquaMax Eco Premium 20000 [INT] | 31 |
| 56409 | AquaMax Eco Premium 20000 [GB] | 31 |
| 56410 | Bitron Eco 240 W [INT] | 312 |
| 56473 | InScenio FM-Master 3 [GB] | 386 |
| 56614 | Aquarius Universal Premium 4000 [INT] | 52 |
| 56617 | Aquarius Universal Premium 5000 [INT] | 52 |
| 56620 | Bitron C 24 W [INT] | 314 |
| 56624 | Bitron C 55 W [INT] | 314 |
| 56637 | Aquarius Universal Premium 6000 [INT] | 52 |
| 56640 | BioTec 5.1 [INT] | 243 |
| 56641 | BioSmart 36000 [INT] | 258 |
| 56653 | AquaMax Eco Classic 17500 [INT] | 41 |
| 56710 | AquaMax Eco Classic 17500 [GB] | 41 |
| 56755 | BioTec Premium 80000 [INT] | 208 |

| Item no. | Product | Page | Item no. | Product | Page |
|----------|--|------|----------|--|------|
| 56769 | Bitron Eco 120 W [INT] | 312 | 57356 | AquaMax Eco R 8000 [INT] | 65 |
| 56774 | ProfiClear Premium drum filter gravity [INT] | 163 | 57358 | AquaMax Eco 12000 [INT] | 65 |
| 56775 | ProfiClear Premium drum filter gravity [GB] | 163 | 57370 | Vitronic 11 W [INT] | 322 |
| 56776 | BioSmart 18000 [INT] | 255 | 57373 | Vitronic 55 W [INT] | 323 |
| 56777 | BioSmart Set 18000 [INT] | 255 | 57375 | BioSmart UVC 8000 [INT] | 262 |
| 56778 | BioSmart Set 18000 [GB] | 255 | 57377 | BioSmart UVC 16000 [INT] | 252 |
| 56781 | BioSmart Set 24000 [INT] | 258 | 57384 | SwimSkim 25 [INT] | 419 |
| 56785 | BioSmart Set 24000 [GB] | 258 | 57385 | BioPress Set 8000 [INT] | 294 |
| 56789 | BioSmart Set 36000 [INT] | 258 | 57386 | BioPress Set 12000 [INT] | 294 |
| 56793 | BioSmart Set 36000 [GB] | 258 | 57390 | Aquarius Universal Premium Eco 3000 [INT] | 54 |
| 56799 | Bitron C 36 W [INT] | 316 | 57392 | Aquarius Universal Premium Eco 4000 [INT] | 54 |
| 56804 | Bitron C 24 W [INT] | 316 | 57399 | Aquarius Fountain Set Classic 1000 [INT] | 345 |
| 56823 | Bitron C 55 W [INT] | 316 | 57400 | Aquarius Fountain Set Classic 1500 [INT] | 345 |
| 56826 | FiltoClear 15000 [GB] | 264 | 57401 | Aquarius Fountain Set Classic 2500 [INT] | 345 |
| 56837 | Vitronic 18 W [INT] | 323 | 57402 | Aquarius Fountain Set Classic 3500 [INT] | 345 |
| 56869 | Vitronic 24 W [INT] | 323 | 57437 | AquaOxy 2000 [GB] | 334 |
| 56870 | Aquarius Universal Expert 21000 [INT] | 19 | 57438 | Aquarius Fountain Set Classic 1000 [GB] | 345 |
| 56871 | Aquarius Universal Expert 27000 [INT] | 19 | 57439 | Aquarius Fountain Set Classic 1500 [GB] | 345 |
| 56872 | Aquarius Universal Expert 40000 [INT] | 19 | 57440 | Aquarius Fountain Set Classic 2500 [GB] | 345 |
| 56873 | AquaMax Expert 20000 [INT] | 48 | 57441 | Aquarius Fountain Set Classic 3500 [GB] | 345 |
| 56874 | AquaMax Expert 30000 [INT] | 48 | 57478 | Bitron 550 W [INT] | 320 |
| 56875 | AquaMax Expert 40000 [INT] | 48 | 57479 | AquaAir 250 [INT] | 325 |
| 56876 | Aquarius Universal Premium 9000 [INT] | 52 | 57480 | Skimmer 250 [INT] | 415 |
| 56879 | Aquarius Universal Premium 12000 [INT] | 52 | 57567 | AquaOxy 500 [GB] | 333 |
| 56885 | Vitronic 36 W [INT] | 323 | 57694 | BioTec ScreenMatic2 40000 [INT] | 216 |
| 56886 | InScenio FM-Profimaster [INT] | 386 | 57695 | BioTec ScreenMatic2 60000 [INT] | 216 |
| 56888 | Aquarius Solar 700 [INT] | 343 | 57696 | BioTec ScreenMatic2 140000 [INT] | 225 |
| 56889 | Aquarius Solar 1500 [INT] | 343 | 57704 | PondJet Eco [INT] | 365 |
| 56897 | ProfiClear Classic pump chamber [INT] | 183 | 57762 | LunAqua Power LED XL 3000 Flood [INT] | 390 |
| 56898 | ProfiLux 100 E [INT] | 412 | 57763 | LunAqua Power LED XL 3000 Spot [INT] | 390 |
| 56901 | Bitron C 72 W [INT] | 316 | 57764 | LunAqua Power LED XL 3000 Wide Flood [INT] | 390 |
| 56902 | Bitron C 110 W [INT] | 316 | 57766 | ProMax MudDrain 20000 [INT] | 458 |
| 56903 | LunAqua 3 Set 1 [INT] | 409 | 57767 | ProMax MudDrain 25000 [INT] | 459 |
| 56907 | AquaSkim 40 [INT] | 421 | 57768 | ProMax MudDrain 30000 [INT] | 459 |
| 56915 | BioTec Premium 80000 [GB] | 208 | 57769 | ProMax MudDrain 20000 [GB] | 458 |
| 57034 | LunAqua 3 LED Set 1 [INT] | 401 | 57770 | ProMax MudDrain 25000 [GB] | 459 |
| 57035 | LunAqua 3 LED Set 3 [INT] | 401 | 57771 | ProMax MudDrain 30000 [GB] | 459 |
| 57063 | AquaOxy 500 [INT] | 333 | 57773 | ProMax Pressure Well 6500/10 [INT] | 449 |
| 57075 | PondJet [INT] | 371 | 57774 | ProMax Pressure Automatic 5500/5 [INT] | 448 |
| 57091 | AquaMax Eco Gravity 10000 [INT] | 16 | 57775 | ProMax Pressure Cistern 6000/6 [INT] | 452 |
| 57092 | AquaMax Eco Gravity 15000 [INT] | 16 | 57821 | LunAqua Power LED Driver 3 m [INT] | 398 |
| 57093 | AquaMax Eco Gravity 20000 [INT] | 16 | 70233 | Filtral UVC 1500 [INT] | 296 |
| 57094 | ProfiClear Screendrive [INT] | 184 | 70234 | Filtral UVC 3000 [INT] | 298 |
| 57127 | BioTec ScreenMatic 12 [INT] | 234 | 70235 | Filtral UVC 6000 [INT] | 298 |
| 57129 | BioTec ScreenMatic 36 [INT] | 240 | 70236 | Filtral UVC 1500 [GB] | 297 |
| 57134 | ProfiSkim 100 [INT] | 416 | 70237 | Filtral UVC 3000 [GB] | 300 |
| 57137 | BioSys Skimmer + [INT] | 423 | 70238 | Filtral UVC 6000 [GB] | 300 |
| 57213 | BioTec ScreenMatic 12 [GB] | 234 | 70239 | Filtral UVC 9000 [GB] | 300 |
| 57239 | Spare parts case [INT] | 68 | 70771 | Waterfall XL 30 [INT] | 381 |
| 57350 | AquaOxy 2000 [INT] | 334 | 70772 | Waterfall XL 60 [INT] | 381 |

| Item no. | Product | Page | Item no. | Product | Page |
|----------|--|------|----------|--|------|
| 70773 | Waterfall XL 90 [INT] | 381 | 75933 | AquaMax Eco Premium 17000 [GB] | 33 |
| 70774 | Waterfall Kit 30 [INT] | 376 | 75934 | AquaMax Eco Premium 21000 [GB] | 33 |
| 70775 | Waterfall Kit 60 [INT] | 376 | 75952 | Filtral UVC 9000 [INT] | 298 |
| 70785 | InScenio FM-Master Home [INT] | 383 | 76557 | ProfiClear Premium XL Moving Bed Hel-X [INT] | 137 |
| 70786 | InScenio FM-Master Home [GB] | 383 | 77371 | Aquarius Fountain Set Classic 2000 E [INT] | 345 |
| 70787 | InScenio FM-Master Home [FR] | 383 | 77372 | Aquarius Fountain Set Classic 3000 E [INT] | 345 |
| 70788 | InScenio FM-Master Cloud [INT] | 383 | 77374 | Aquarius Fountain Set Classic 4000 E [INT] | 345 |
| 70789 | InScenio FM-Master Cloud [GB] | 383 | 77375 | Aquarius Fountain Set Classic 2000 E [GB] | 345 |
| 70790 | InScenio FM-Master Cloud [FR] | 383 | 77376 | Aquarius Fountain Set Classic 3000 E [GB] | 345 |
| 70895 | ProfiSkim Wall 100 [INT] | 418 | 77377 | Aquarius Fountain Set Classic 4000 E [GB] | 345 |
| 70896 | ProMax Pressure Well 3000/18 [INT] | 449 | 77462 | AquaMax Eco Titanium 81000 [INT] | 13 |
| 72713 | OASE Control connection cable 30.0 m [INT] | 413 | 77776 | FiltoClear 5000 [INT] | 269 |
| 72930 | PondJet Eco [GB] | 365 | 77777 | FiltoClear 13000 [INT] | 269 |
| 72941 | Water reservoir Wall 60 [INT] | 8 | 77778 | FiltoClear 19000 [INT] | 274 |
| 72942 | Water reservoir Wall 90 [INT] | 8 | 77779 | FiltoClear 31000 [INT] | 274 |
| 73336 | AquaMax Eco Classic 9000 C [INT] | 39 | 77788 | FiltoClear 5000 [GB] | 269 |
| 73337 | AquaMax Eco Classic 12000 C [INT] | 39 | 77789 | FiltoClear 13000 [GB] | 269 |
| 73338 | AquaMax Eco Classic 18000 C [INT] | 39 | 77790 | FiltoClear 19000 [GB] | 274 |
| 73339 | AquaMax Eco Classic 9000 C [GB] | 39 | 77791 | FiltoClear 31000 [GB] | 274 |
| 73340 | AquaMax Eco Classic 12000 C [GB] | 39 | 77918 | AquaMax Eco Expert 27000 / 12 V [INT] | 59 |
| 73341 | AquaMax Eco Classic 18000 C [GB] | 39 | 78109 | Aquarius Eco Expert 20000 / 12 V [INT] | 62 |
| 73362 | ProMax Pressure Well Automatic 3000/15 [INT] | 450 | 84164 | Copper pedestal for copper bowls [INT] | 374 |
| 73363 | ProfiClear Premium DF-XL gravity OC [INT] | 130 | 84165 | Copper Bowl Square 50 [INT] | 375 |
| 73364 | ProfiClear Premium DF-XL gravity OC [GB] | 130 | 84166 | Copper Bowl Round 50 [INT] | 375 |
| 73365 | ProfiClear Premium DF-XL pump-fed OC [INT] | 123 | 84167 | Copper Bowl Round 60 [INT] | 375 |
| 73366 | ProfiClear Premium DF-XL pump-fed OC [GB] | 123 | 84168 | Copper Bowl Round 75 [INT] | 375 |
| 73367 | ProfiClear Premium XL Moving Bed [INT] | 137 | 84169 | Copper Bowl Round 90 [INT] | 375 |
| 73368 | ProfiCl. Prem. XL discharge module grav. [INT] | 121 | 85487 | AquaMax Eco Premium 7000 [INT] | 33 |
| 73369 | ProfiCl. Prem. XL discharge module pump [INT] | 119 | 85488 | AquaMax Eco Premium 7000 [GB] | 33 |
| 73374 | Bitron Premium 60 W [INT] | 306 | 87019 | LunAqua Connect M Solo white [INT] | 388 |
| 73375 | Bitron Premium 120 W [INT] | 308 | 87020 | LunAqua Connect S Solo white [INT] | 388 |
| 73376 | Bitron Premium 180 W [INT] | 310 | 87022 | LunAqua Connect L Solo white [INT] | 388 |
| 73377 | AquaOxy 250 [GB] | 332 | 87096 | Pump Vault 20000 [INT] | 9 |
| 73378 | AquaOxy 4800 [GB] | 335 | 87100 | AquaOxy 2500 [INT] | 336 |
| 73656 | AquaMax Eco Titanium 31000 [INT] | 11 | 87101 | AquaOxy 5000 [INT] | 336 |
| 73657 | AquaMax Eco Titanium 51000 [INT] | 12 | 87102 | AquaOxy 7500 [INT] | 336 |
| 74336 | LunAqua Connect M Solo RGB [INT] | 388 | 87103 | AquaOxy 2500 [GB] | 336 |
| 74350 | LunAqua Connect Starter Set Controllable [INT] | 388 | 87104 | AquaOxy 5000 [GB] | 336 |
| 75074 | LunaLed 6s [GB] | 407 | 87105 | AquaOxy 7500 [GB] | 336 |
| 75075 | LunaLed 9s [GB] | 407 | 87157 | AquaAir Eco 250 [INT] | 327 |
| 75218 | ProfiClear Premium Fleece 500 [INT] | 185 | 87164 | ProfiClear Premium Standing Bed Module L [INT] | 170 |
| 75219 | ProfiClear Premium Fleece 750 [INT] | 192 | 87165 | ProfiClear Premium Discharge Module L [INT] | 174 |
| 75923 | AquaMax Eco Premium 5000 [INT] | 33 | 87166 | ProfiClear Prem. Standing Bed Module XL [INT] | 172 |
| 75924 | AquaMax Eco Premium 9000 [INT] | 33 | 87501 | LunAqua Connect M Set 3 [INT] | 388 |
| 75925 | AquaMax Eco Premium 13000 [INT] | 33 | 87506 | LunAqua Connect S Set 3 [INT] | 388 |
| 75926 | AquaMax Eco Premium 17000 [INT] | 33 | 88108 | Vitronic 11 W [INT] | 322 |
| 75927 | AquaMax Eco Premium 21000 [INT] | 33 | 88263 | Wall Spout LED Set [INT] | 405 |
| 75928 | AquaMax Eco Premium 5000 [GB] | 33 | 88264 | Fountain Ring LED Set [INT] | 404 |
| 75929 | AquaMax Eco Premium 9000 [GB] | 33 | 88426 | Cube 60 CS [INT] | 373 |
| 75932 | AquaMax Eco Premium 13000 [GB] | 33 | 88427 | Cube 90 CS [INT] | 373 |

| Item no. | Product | Page |
|----------|---|------|
| 88443 | OASE Control Adaptor [INT] | 414 |
| 89042 | Pump Vault 60000 [INT] | 9 |
| 89043 | Extension Pump Vault [INT] | 9 |
| 89045 | Water diverter 1 1/4" [INT] | 10 |
| 90156 | Aquarius Universal Classic 1000 / 12 V [INT] | 63 |
| 90157 | Aquarius Universal Classic 1000 / 12 V [GB] | 63 |
| 90221 | Aquarius Universal Classic 3000 [INT] | 58 |
| 90222 | Aquarius Universal Classic 3000 [GB] | 58 |
| 90286 | Aquarius Eco Premium 4500 [INT] | 50 |
| 90287 | Aquarius Eco Premium 6500 [INT] | 50 |
| 90289 | Aquarius Eco Premium 9500 [INT] | 50 |
| 90291 | Aquarius Eco Premium 13500 [INT] | 50 |
| 90292 | Aquarius Eco Premium 16500 [INT] | 50 |
| 93037 | BioTec ScreenMatic2 145000 [INT] | 229 |
| 95472 | PondJet Eco Premium [INT] | 362 |
| 95473 | PondJet Eco Premium [GB] | 362 |
| 96551 | LunAqua Connect M Solo White Cable 10 m [INT] | 388 |

www.oase.com

OASE GmbH

Post Box 20 69
48469 Hörstel
Germany
☎ +49 (0) 5454 80-0
✉ info@oase.com

OASE S.A.

Avenue de la Marne
Parc du Molinel
Bât F – Rez de Chaussée
59290 Wasquehal
France
☎ +33 (0) 320 82 00 45
✉ contact.fr@oase.com

OASE Türkiye

Merkezi Almanya Türkiye Ist.Şb.
Merkez Mah.Akar Cad.Itower
is Mrkz.No:3 Kat:3 D:14
Post 34381 Şişli | Istanbul
Turkey
☎ +90 (0) 212 302 47 78
✉ info.tr@oase.com

(Indoor Aquatics)

OASE North America, Inc.
125 Lena Drive
Aurora
44202 Ohio
USA
☎ +1 (0) 866-627-3435
✉ customer-care@oase.com

OASE Japan G.K.

1-18 Ageba-cho
Shinjuku-ku
Tokyo 162-0824
Japan
☎ +85 (0) 45 594 8440
✉ customer-service.jp@oase.com

OASE (UK) LTD.

The Old Cart Shed
Apsley Barns
Andover
Hampshire SP11 6NA
United Kingdom
☎ +44 (0) 1256 896 886
✉ enquiries@oase.com

OASE ESPAÑA Casa Jardín S.L.U.

Ctra. Fuencarral 44
Edif 5 Loft 24
28108 Alcobendas
Madrid
Spain
☎ +34 (0) 91 499 07 29
✉ info.es@oase.com

OASE Asia Pacific PTE Ltd

51 Goldhill Plaza
#17-01
Singapore 308900
☎ +65 (0) 6337 2838
✉ info.oap@oase.com

(biOrb)

OASE North America, Inc.
125 Lena Drive
Aurora
44202 Ohio
USA
☎ +1 (0) 888-755-5646
✉ biorb-support@oase.com

OASE India Pvt. Ltd.

Ground Floor and First Floor,
Worldmark 1, Tower A
Aerocity, IGI Airport Delhi
New Delhi Pin-110037
India
☎ +91 1800 889 0525 (Toll Free)
☎ +91 9315 263 797
✉ info.in@oase.com

OASE B.V.

Postbus 1125
3860 BC Nijkerk
Netherlands
☎ +31 (0) 900 246 22 10
✉ info.nl@oase.com

OASE Kereskedelmi Kft

Hegyalja út 7-13
1016 Budapest
Hungary
☎ +361 (0) 393 50 40
✉ info.hu@oase.com

OASE Middle East FZ-LLC

Dubai Design District (d3)
Building 3, 3rd Floor, Design Quarter
P.O. Box 333090
Dubai, UAE
☎ +971 56 4845 412
✉ uae@oase.com

GeoGlobal Partners, LLC

125 Lena Drive
Aurora
44202 Ohio
USA
☎ +1 (0) 866 627 3435
✉ info.na@oase.com

Aquatec Equipment

37 Edison Circuit
Forrestdale WA 6112
Australia
☎ +61 (0) 8 6260 1000
✉ sales@aquatecequipment.com

OASE B.V.

Droeshoutstraat 88 B1
1745 Opwijk
Belgium
☎ +32 (0) 52 48 47 60
✉ info.be@oase.com

OASE Spółka z o.o.

Al. Jerozolimskie 200 lok. 538
02-486 Warszawa
Poland
☎ +48 (22) 323 71 11
✉ info.pl@oase.com

OASE Living-Water (Taicang) Co., Ltd

中国江苏太仓市东亭北路80号
No. 80 North Dongting Road
Taicang, Jiangsu
China
☎ +86 (0) 512 5371 9578
✉ info.cn@oase.com

OASE Italia S.r.l. Unipersonale

Via San Antonio, 22
36056 Tezze sul Brenta (VI)
Italy
☎ +39 (0) 42 459 08 66
✉ info.it@oase.com